

BED RACK KIT



P/N 2889844

MISSING OR DAMAGED PARTS

Before beginning assembly, inspect the kit and its component(s) to be sure all parts and tools are accounted for and not damaged. If missing parts or parts are damaged, please contact your Selling Dealer for assistance.

If your accessory was purchased online, please contact POLARIS® customer service at **1-800-POLARIS** (US & Canada only).

APPLICATION

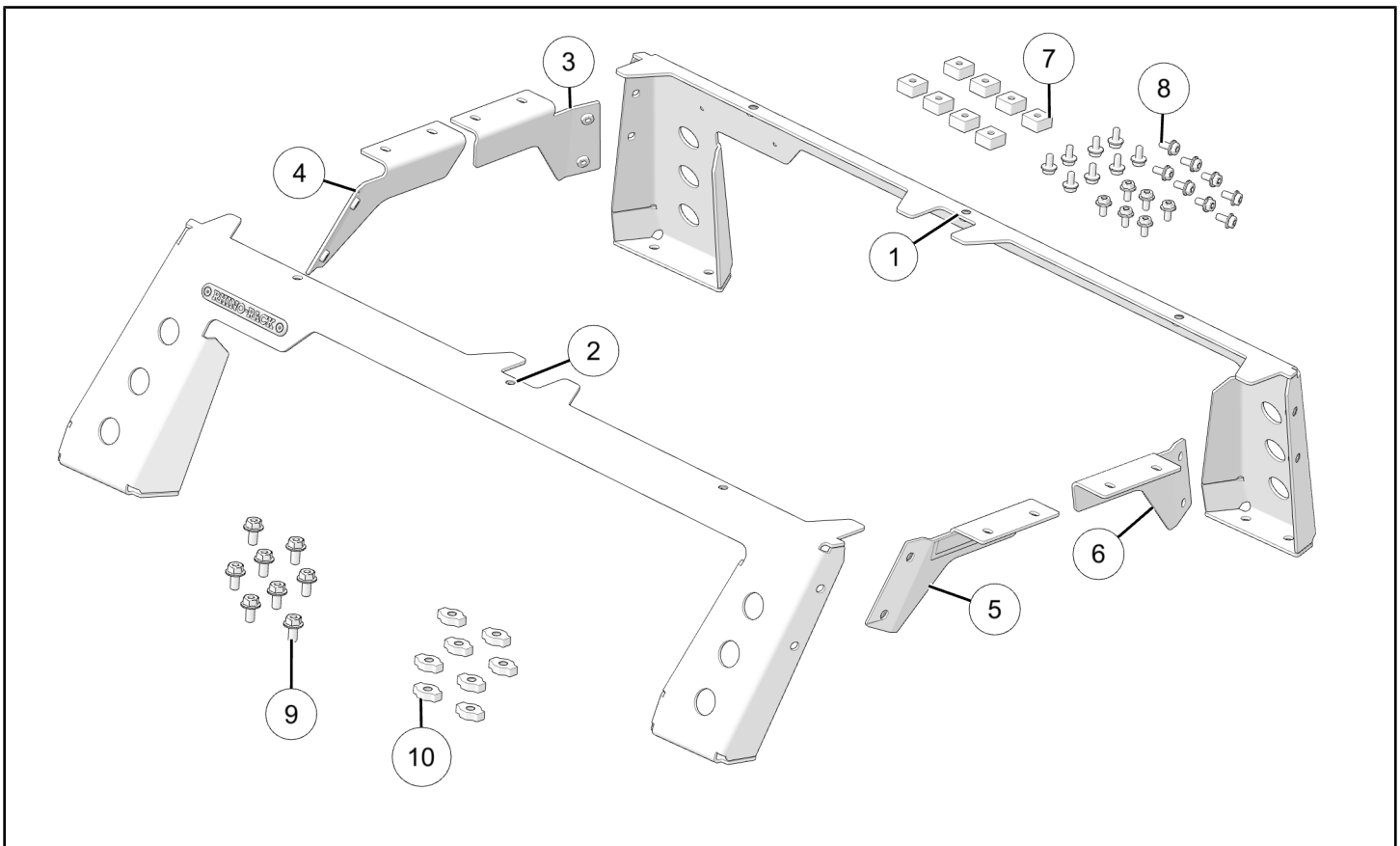
Verify accessory fitment at www.polaris.com.

REQUIRED SOLD SEPARATELY

Only parts for installation of the Bed Rack Kit are included. For complete installation, the following additional kit is required (sold separately):

- Platform Rack Kit, P/N 2889860

KIT CONTENTS



REF	QTY	PART DESCRIPTION	P/N AVAILABLE SEPARATELY	SERVICE KIT P/N
1	1	Left Backbone	n/a	n/a
2	1	Right Backbone	n/a	n/a

REF	QTY	PART DESCRIPTION	P/N AVAILABLE SEPARATELY	SERVICE KIT P/N
3	1	Left Rear Brace Assembly	n/a	n/a
4	1	Right Rear Brace Assembly	n/a	n/a
5	1	Left Front Brace Assembly	n/a	n/a
6	1	Right Front Brace Assembly	n/a	n/a
7	8	Nut, Channel M6 20 x 20 x 11 mm	n/a	2209725
8	22	Screw, Hex head flanged M6 x 12 mm	n/a	2209725
9	8	Screw, Hex head flanged M8 x 16 mm	n/a	2209725
10	8	T-Nut M8 x 1.25 mm	7548065	2209725
11	1	Torque Tool (Not shown)	n/a	n/a
12	1	10 mm Socket, 1/4 Drive (Not shown)	n/a	n/a

TOOLS REQUIRED

- Safety Glasses
- Torque Tool (Included)
- 10mm Socket, 1/4 in Drive (Included)

IMPORTANT

Your Bed Rack Kit is exclusively designed for your vehicle. Please read the installation instructions thoroughly before beginning. Installation is easier if the vehicle is clean and free of debris. For your safety, and to ensure a satisfactory installation, perform all installation steps correctly in the sequence shown.

INSTALLATION INSTRUCTIONS

VEHICLE PREPARATION

GENERAL

1. Park vehicle on a flat surface.
2. Shift vehicle into PARK.
3. Turn key to OFF position and remove key.

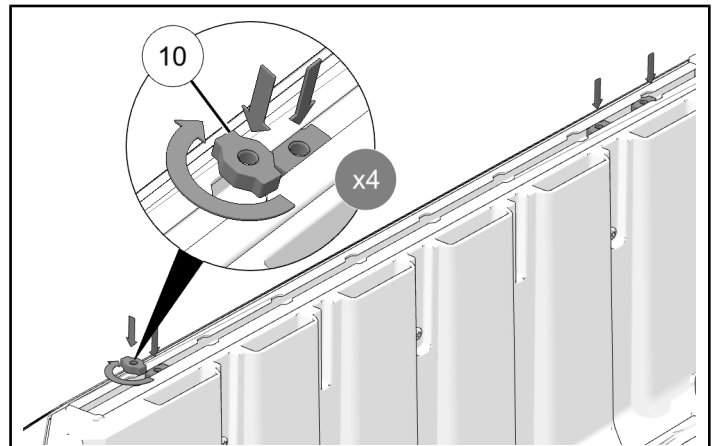
ACCESSORY INSTALLATION

INSTALL BACK BONE

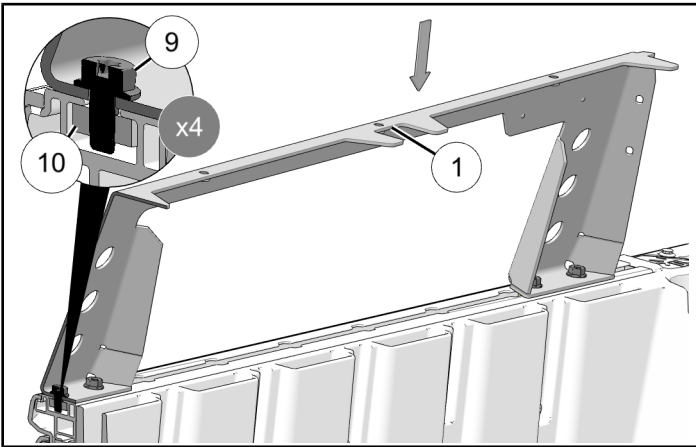
NOTICE

Left side shown; right side similar.

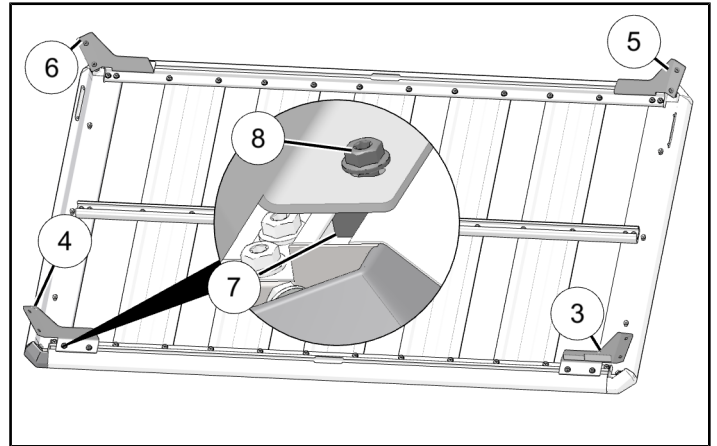
1. Put four T-nuts ⑩ into box rail. Turn T-nuts ⑩ 90 degrees.



- Put backbone ① on box rail. Loosely install four screws ⑨ into installed T-nuts ⑩.



- Loosely install front and rear braces ③, ④, ⑤ and ⑥ with two screws ⑧ per brace into installed channel nuts ⑦.

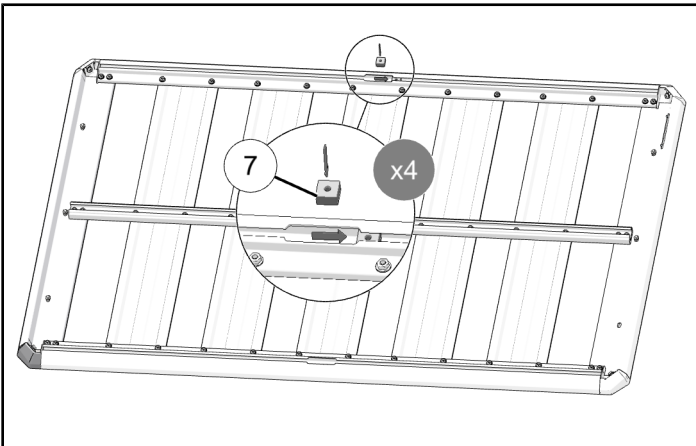


ATTACH PLATFORM RACK

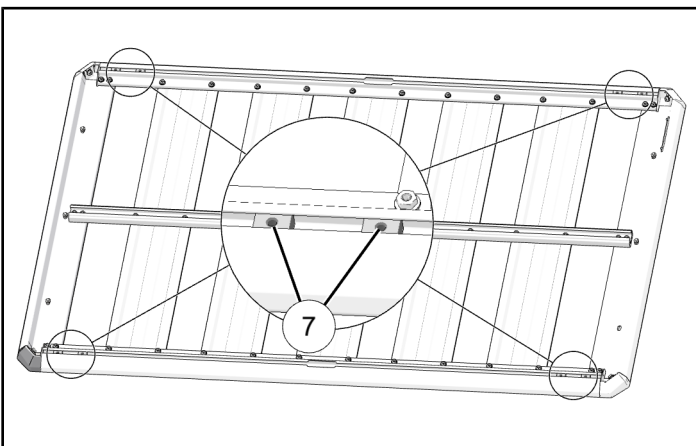
NOTICE

2889860 Platform Rack Kit sold separately.

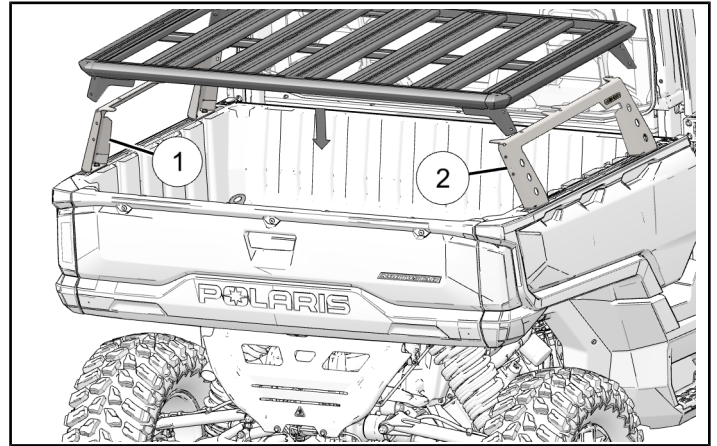
- Put assembled platform rack upside down on protected surface. Put two channel nuts ⑦ into center slot and move along outer rack channel to corner of rack.



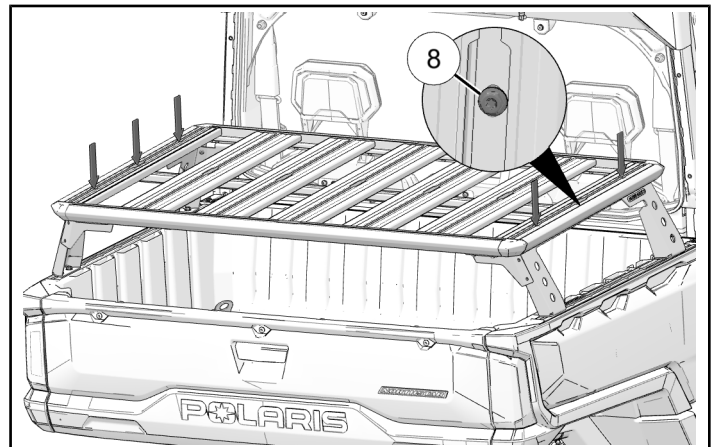
- Repeat until each corner has two channel nuts ⑦.



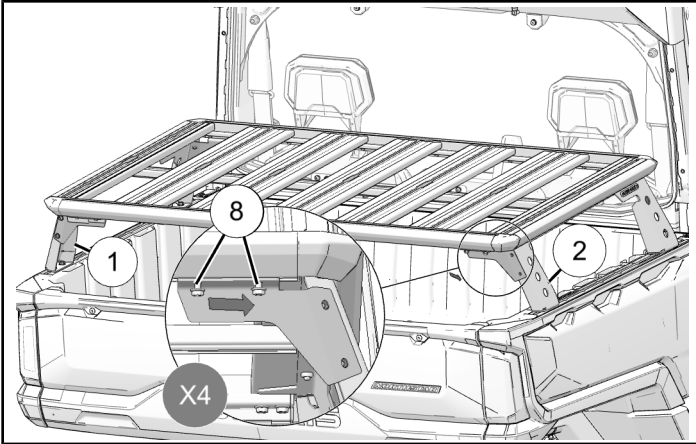
- Put rack on installed backbones ① and ②.



- Install six screws ⑧.



6. Loosen screws ⑧ on front and rear braces. Slide outward until holes line up with matching holes on backbones ① and ②.



8. Torque screws ⑧ and ⑨ using included tool as needed.

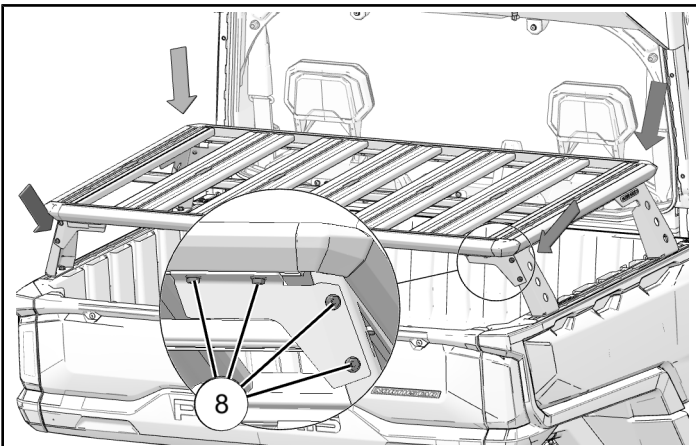
TORQUE

Screws ⑨:
88 in-lbs (10 N·m)

TORQUE

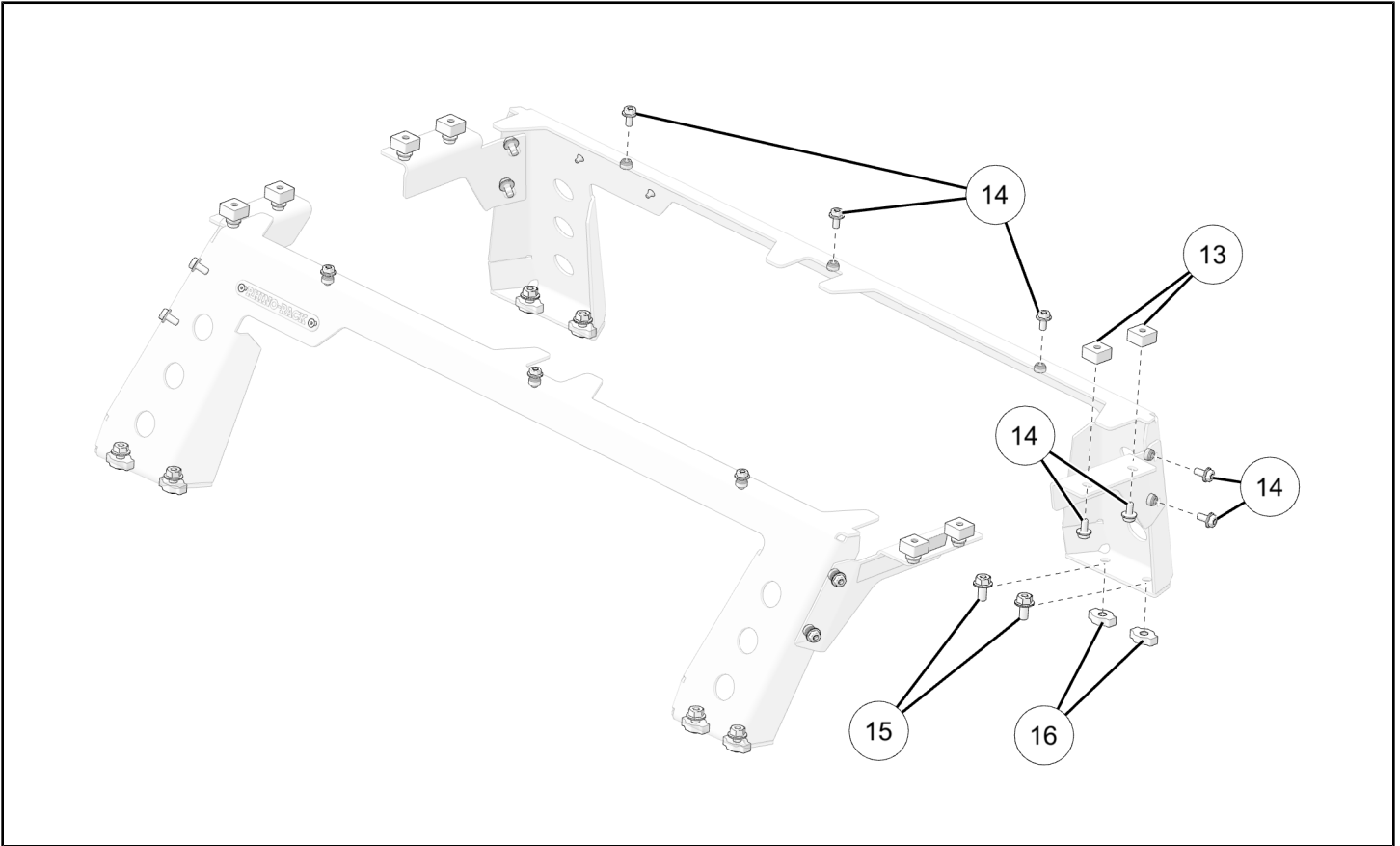
Screws ⑧:
53 in-lbs (6 N·m)

7. Install two screws ⑧ into each brace.



SERVICE PARTS DETAIL

P/N 2209725



REF	QTY	PART DESCRIPTION	P/N AVAILABLE SEPARATELY
13	8	Nut, Channel M6 20 x 20 x 11 mm	n/a
14	22	Screw, Hex head flanged M6 x 12 mm	n/a
15	8	Screw, Hex head flanged M8 x 16 mm	n/a
16	8	T-Nut M8 x 1.25 mm	7548065