

ROOF CUBE LIGHT MOUNTING KIT



P/N 2889849; 2889891

MISSING OR DAMAGED PARTS

Before beginning assembly, inspect the kit and its component(s) to be sure all parts and tools are accounted for and not damaged. If missing parts or parts are damaged, please contact your Selling Dealer for assistance.

If your accessory was purchased online, please contact POLARIS® customer service at **1-800-POLARIS** (US & Canada only).

APPLICATION

Verify accessory fitment at www.polaris.com.

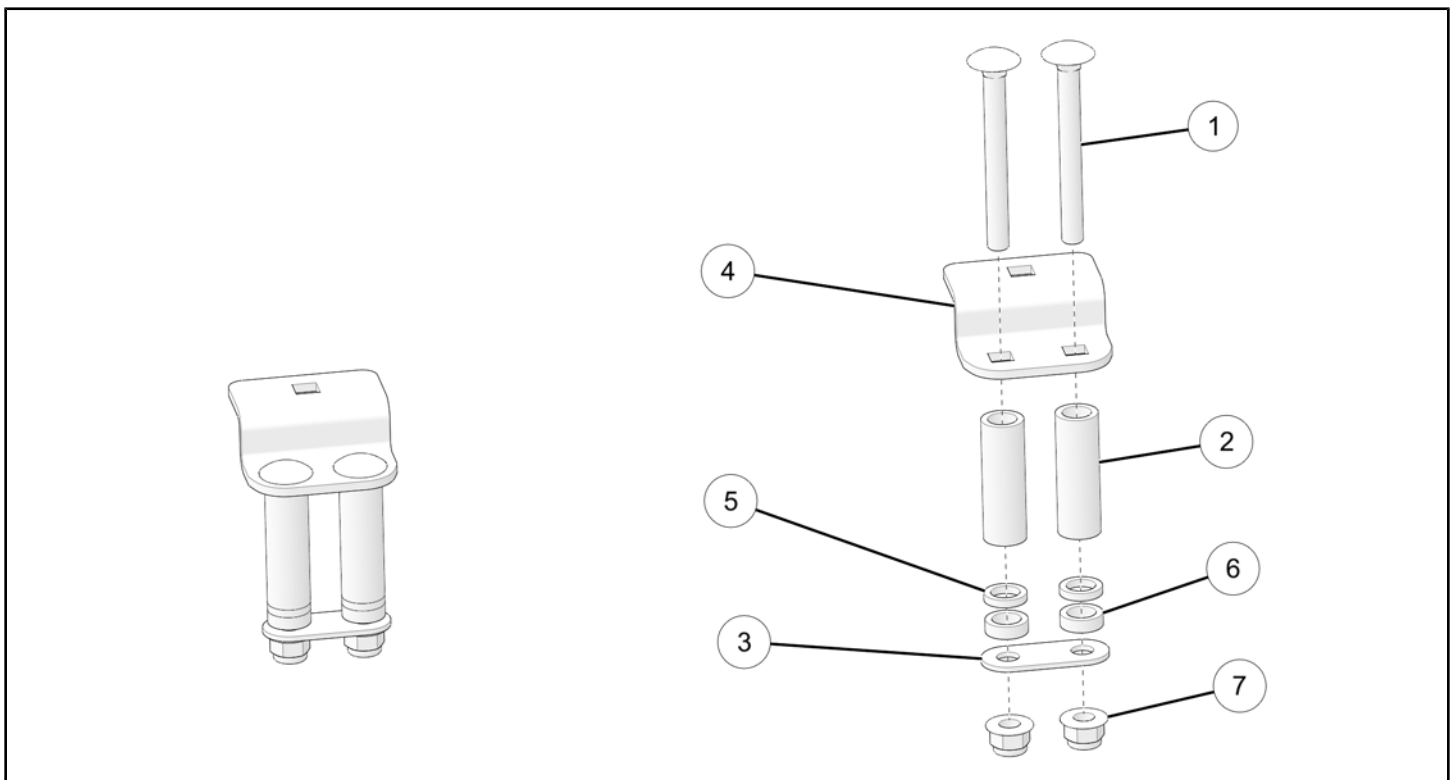
REQUIRED SOLD SEPARATELY

Only parts for installation of the Roof Cube Light Mounting Kit are included. For complete installation, one of the following additional kits is required (sold separately):

- Rigid® D-Series PRO Flood LED Light, P/N 2883126
- Rigid® D-Series PRO Spot LED Light, P/N 2883127
- Rigid® D-Series PRO Driving LED Light, P/N 2883128
- Pro Armor 2" x 2" Cube LED Spot Light, P/N 2882076
- Pro Armor 2" x 2" Cube LED Flood Light, P/N 2882312

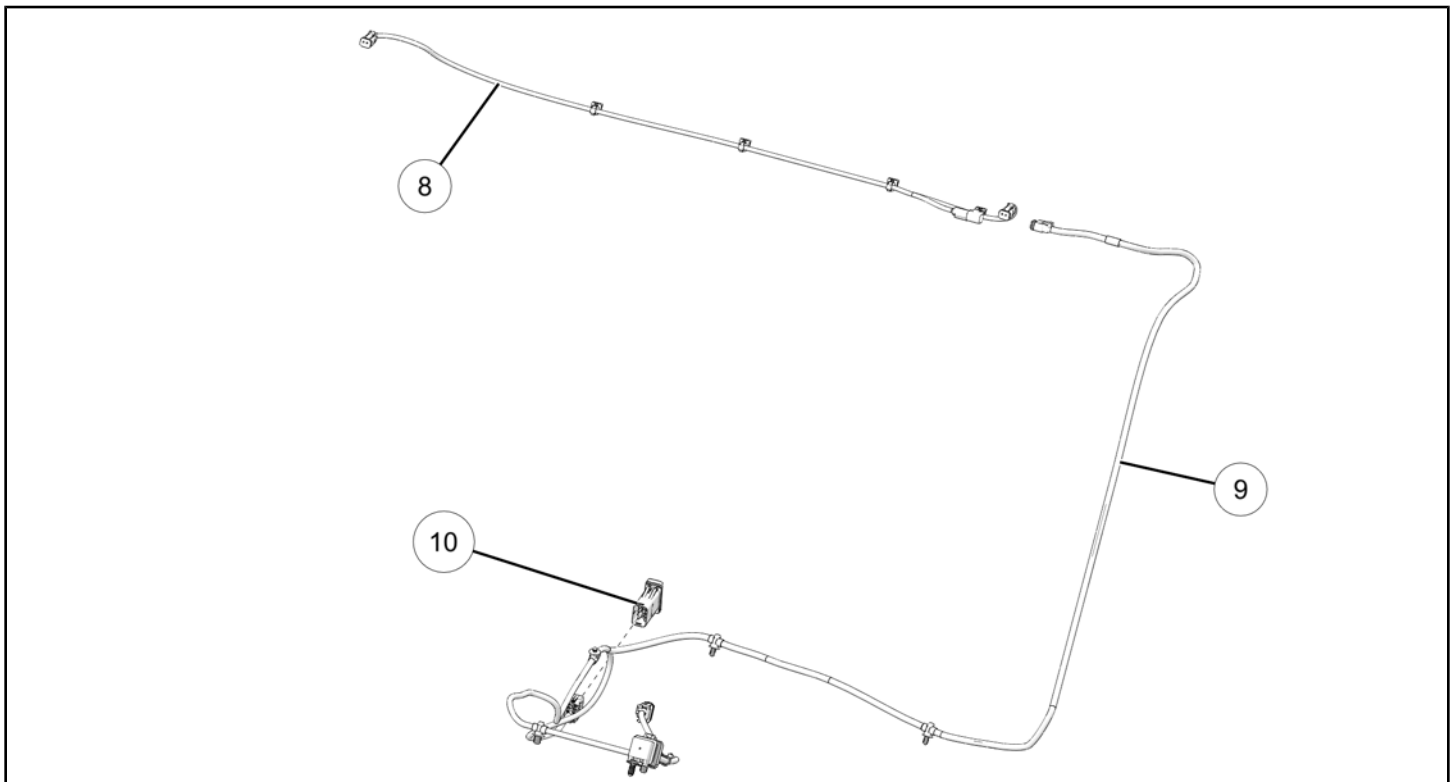
KIT CONTENTS

FRONT CUBE LIGHT MOUNTING KIT P/N 2889849



REF	QTY	PART DESCRIPTION	P/N AVAILABLE SEPARATELY	AVAILABLE SERVICE KIT
1	4	Screw, Carriage M8 x 1.25 x 75 mm	n/a	2209775
2	4	Stand-off, Tubular	n/a	2209775
3	2	Washer Plate	n/a	2209775
4	2	Bracket	n/a	2209775
5	4	Spacer, Washer 3.0 mm thick	n/a	2209775
6	4	Spacer, Washer 5.0 mm thick	n/a	2209775
7	4	Nut, Flange M8 x 1.25 mm	7547454	2209775

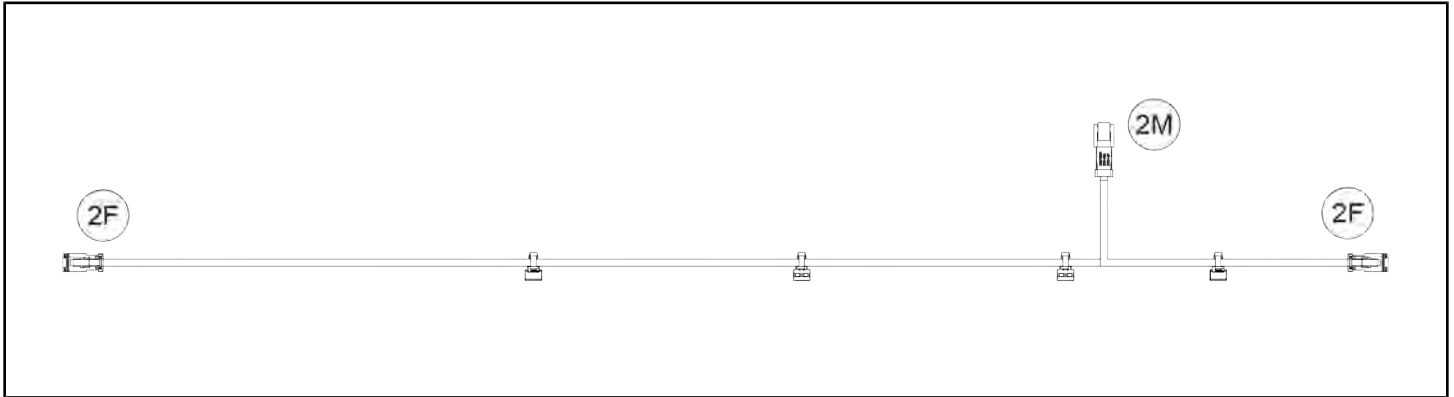
SWITCH HARNESS KIT P/N 2889891



REF	QTY	PART DESCRIPTION	P/N AVAILABLE SEPARATELY
8	1	Harness, Light, Y	n/a
9	1	Harness, Light Control	n/a
10	1	Switch, Cube Light	4080801-21

HARNESS DETAIL

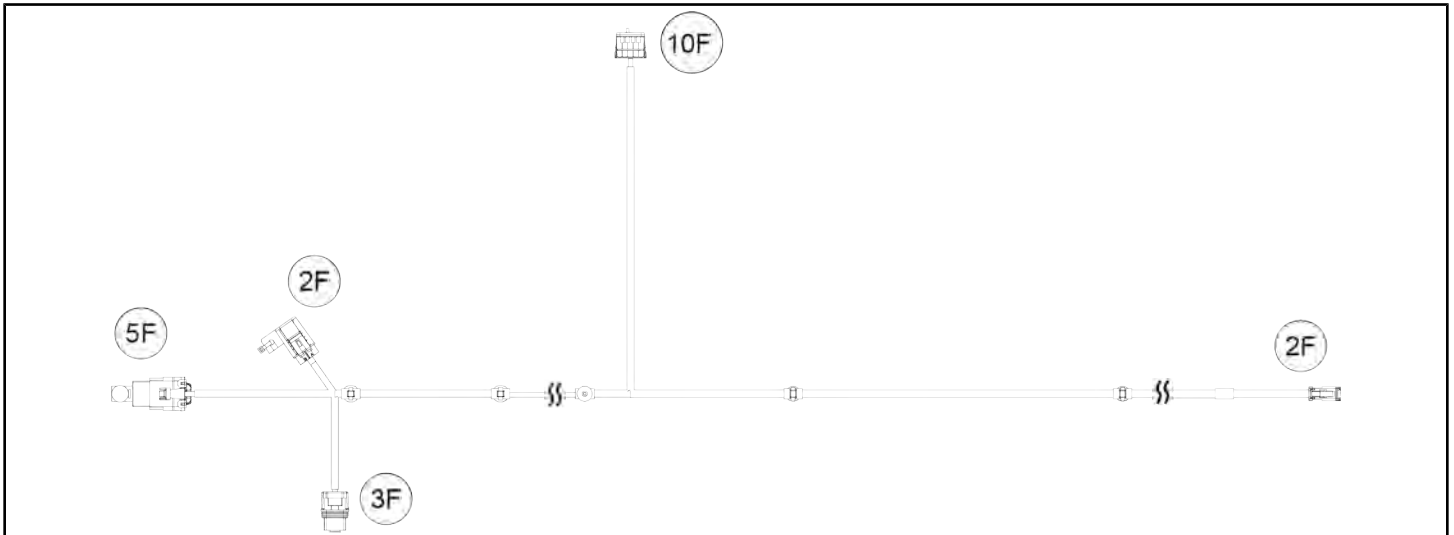
Y HARNESS ⑧



REF	PART DESCRIPTION	CONNECTS TO
2F	Connector – Harness	Cube Light Harness
2F	Connector – Harness	Cube Light Harness
2M	Connector – Light Control Harness	Light Control Harness ⑨

Example: 16F = 16 pin, Female / 16M = 16 pin, Male (Male terminal fits inside female terminal)

LIGHT CONTROL HARNESS ⑨



REF	PART DESCRIPTION	CONNECTS TO
2F	Connector – Harness	Y Harness ⑧
2F	Connector – Fuse Block	Fuse Block
3F	Connector – Pulse® Bar	Pulse® Bar
5F	Connector – Relay	Cube Light Relay
10F	Connector – Lightbar Switch	Cube Light Switch ⑩

Example: 16F = 16 pin, Female / 16M = 16 pin, Male (Male terminal fits inside female terminal)

TOOLS REQUIRED

- Safety Glasses
- Caliper
- Drill
- Drill Bit:
 - 1/8 in (3 mm)
 - 11/16 in (17 mm)
- File, Round (or equivalent)
- Fish Tape (or equivalent)
- Hole Saw:
 - 13/16 in (20 mm)
 - 1 in (25 mm)
- Socket Set, Metric
- Torque Wrench
- Utility Knife/Cutting Tool

IMPORTANT

Your Roof Cube Light Mounting Kit is exclusively designed for your vehicle. Please read the installation instructions thoroughly before beginning. Installation is easier if the vehicle is clean and free of debris. For your safety, and to ensure a satisfactory installation, perform all installation steps correctly in the sequence shown.

INSTALLATION INSTRUCTIONS

VEHICLE PREPARATION

GENERAL

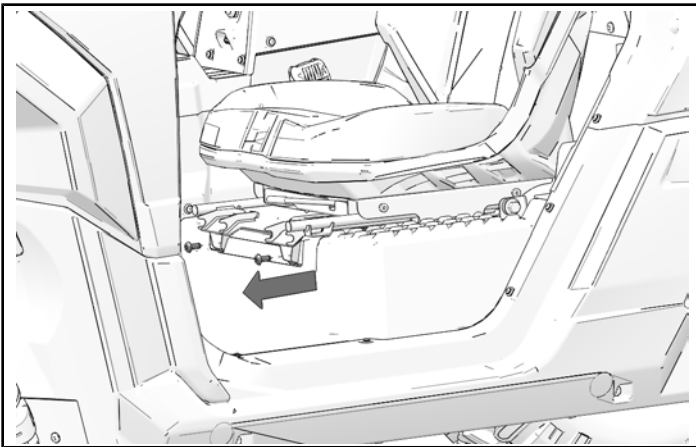
1. Park vehicle on a flat surface.
2. Shift vehicle into PARK.
3. Turn key to OFF position and remove key.

BATTERY DISCONNECTION

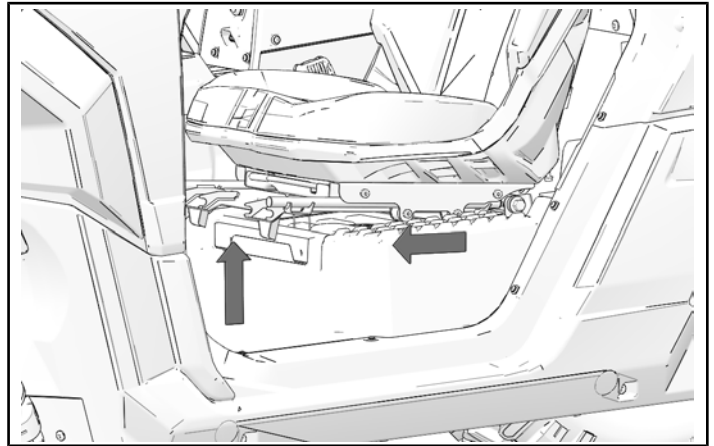
NOTICE

Doors hidden for clarity.

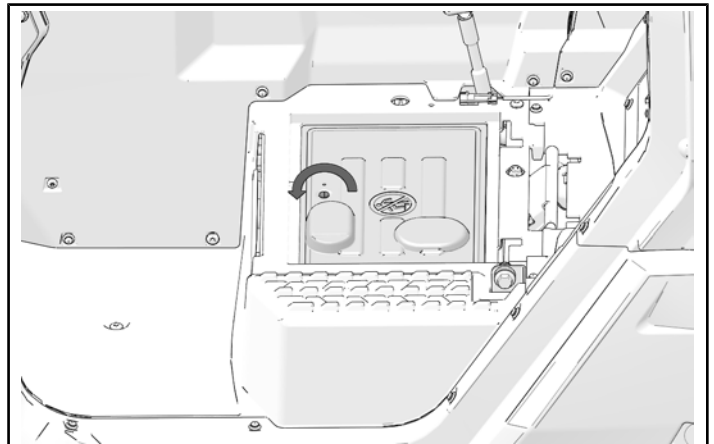
1. Remove and keep two screws from front of driver seat base.



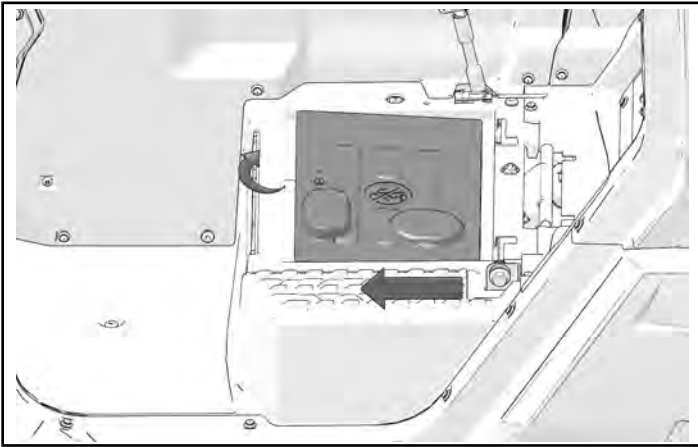
2. Lift front of seat and pull forward to remove seat.



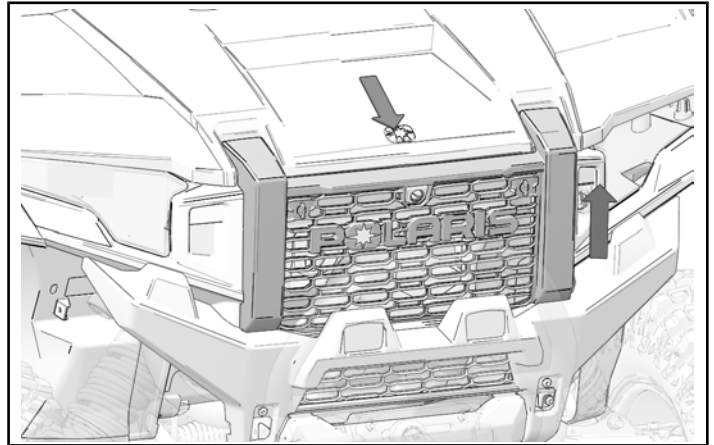
3. Turn screw to open cover.



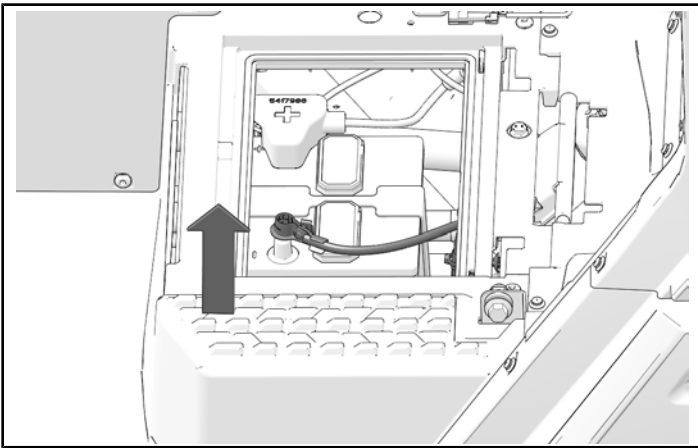
4. Lift cover and slide forward to remove.



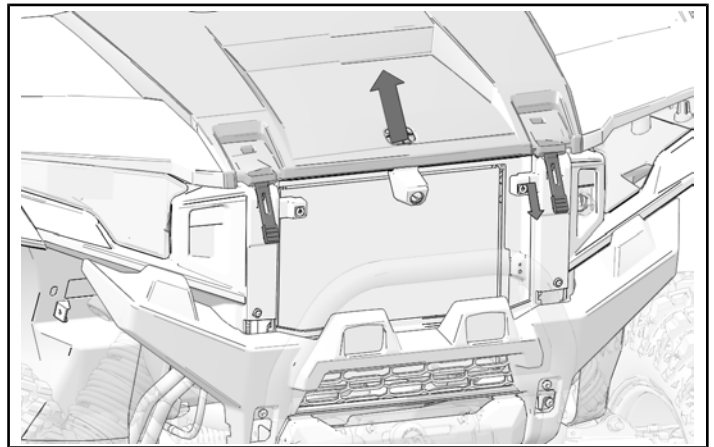
2. Pull top of grill forward and then lift up to remove grill.



5. Disconnect negative (-) cable from battery.

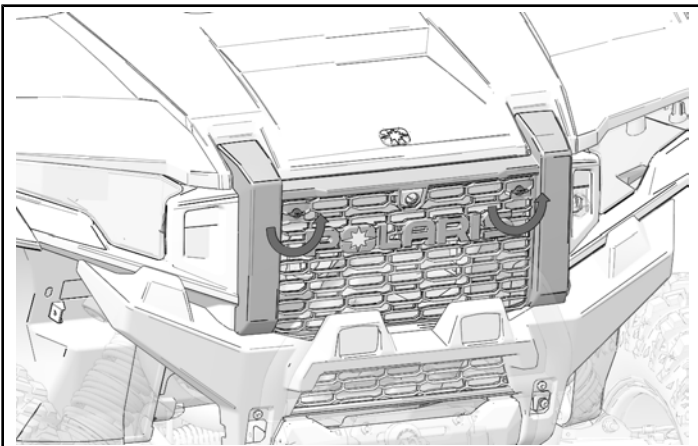


3. Pull rubber straps off hooks to release hood. Lift hood to remove.



HOOD AND GRILL REMOVAL

1. Turn each stud one-quarter turn to release grill.



REMOVE LOWER A PILLAR TRIM

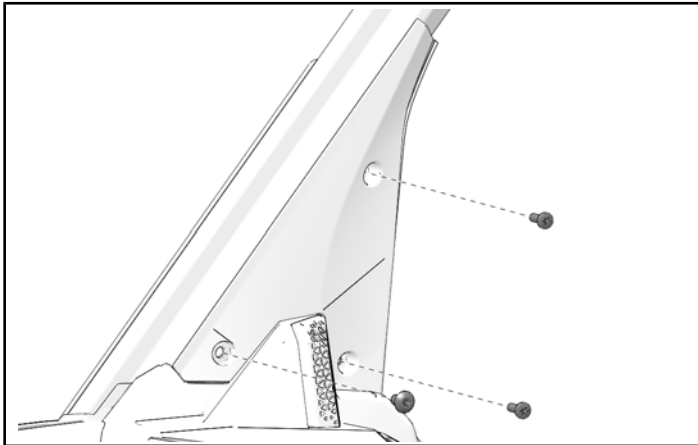
NOTICE

If vehicle is equipped with poly windshield, removal of lower mounting hardware may make removal of lower A-pillar trim easier.

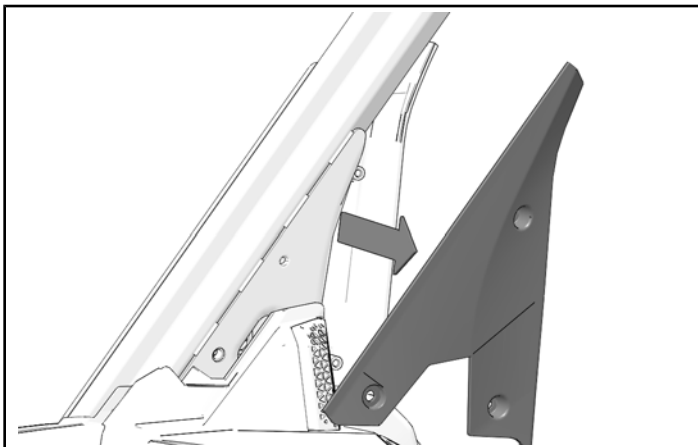
1. Remove three screws from lower A-pillar trim panel.

NOTICE

Right side shown; left side similar.



2. Pull A-pillar trim piece away from vehicle.



VEHICLES EQUIPPED WITH TIP-OUT WINDSHIELD

NOTICE

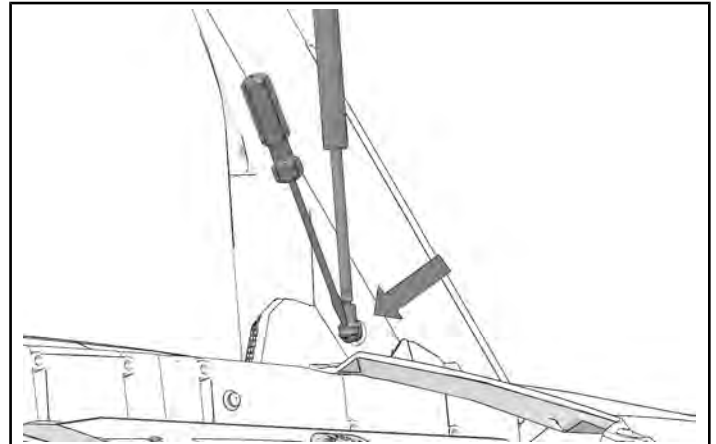
Left side shown; Right side similar.

1. Open tip-out windshield. Install a support to hold weight of windshield.

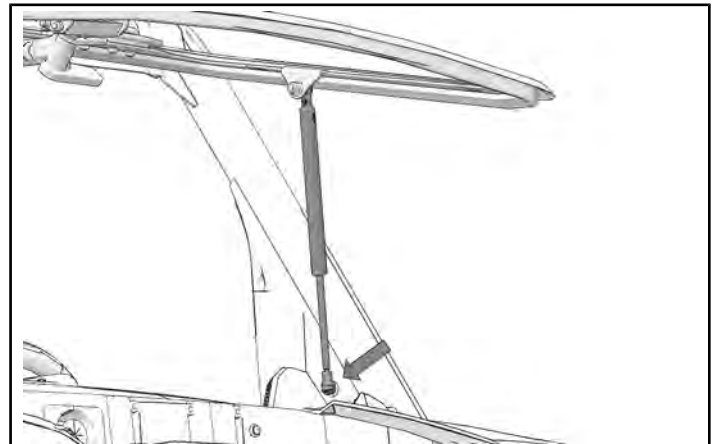
2. Use appropriate tool to release clip at lower end of gas spring.

CAUTION

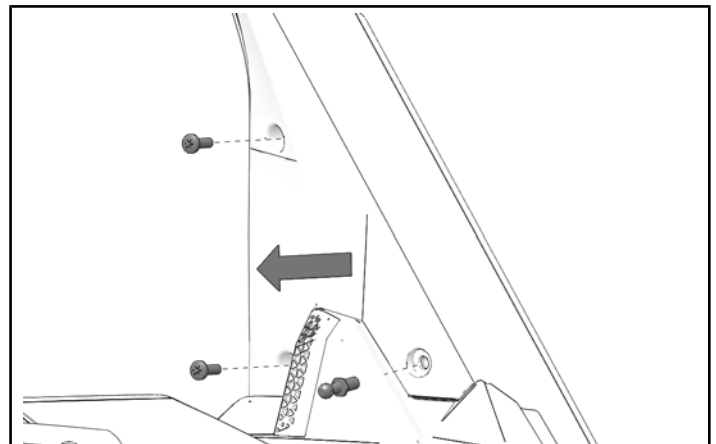
Use care when releasing the clip. Clip may spring away from fitting, and may strike objects or become lost.



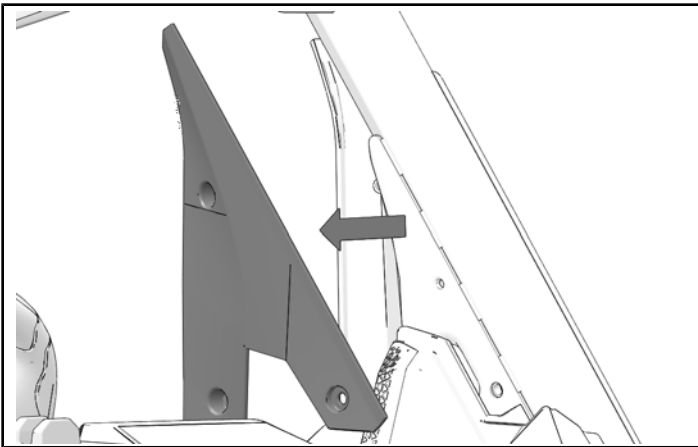
3. Disconnect bottom of gas springs.



4. Remove two screws and ball stud from lower A-pillar trim panel.



5. Pull A-pillar trim piece away from vehicle.



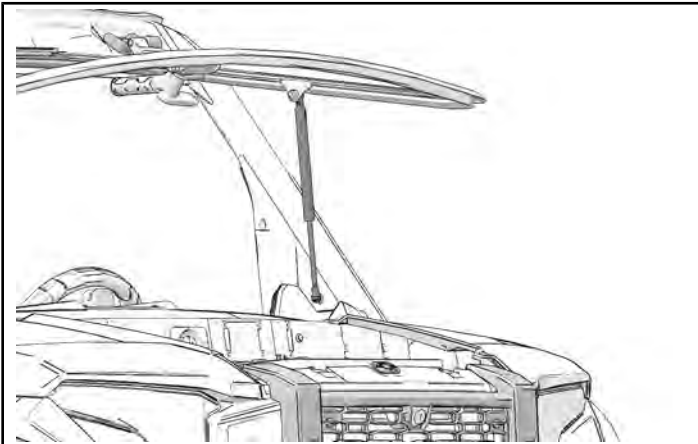
CENTER DASH PANEL REMOVAL

VEHICLES WITH TIP-OUT WINDSHIELD

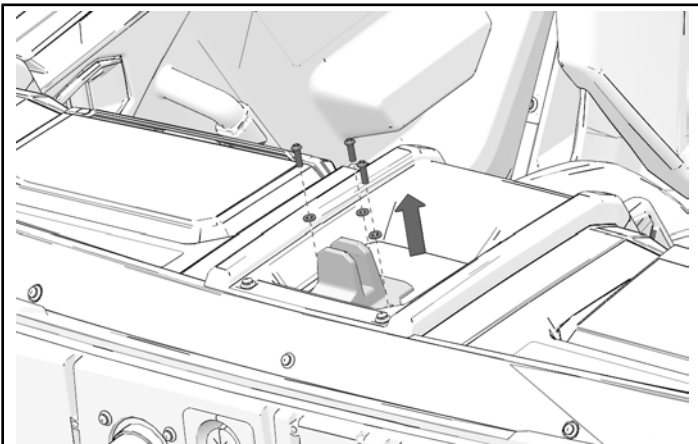
NOTICE

For vehicles without tip-out windshield, proceed to Panel Removal.

1. Open tip-out windshield.

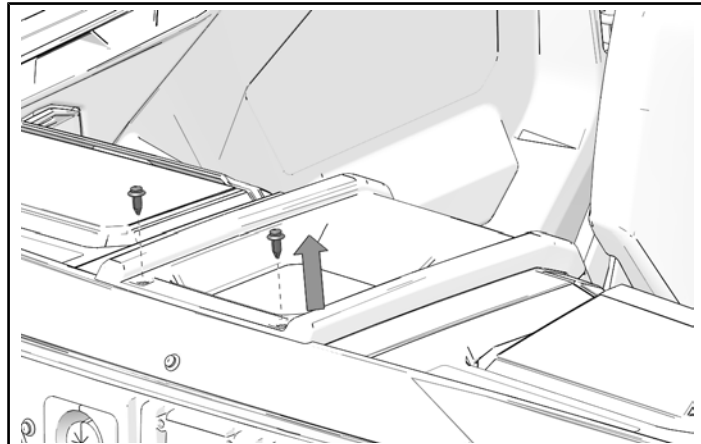


2. Remove and keep three screws and washers. Remove and keep windshield base.

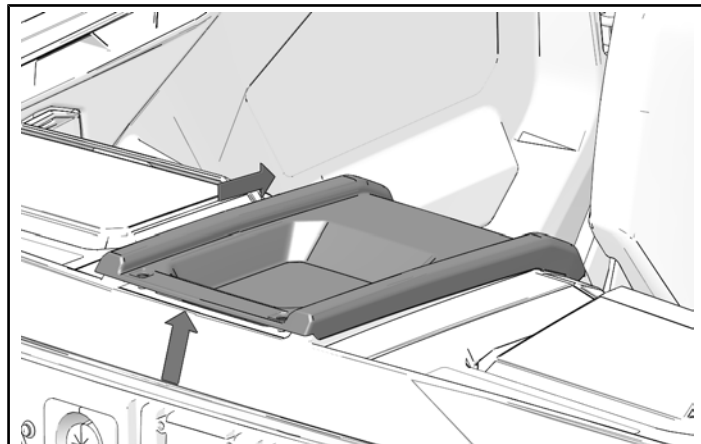


PANEL REMOVAL

1. Remove and keep two push-pin rivets from center dash panel.



2. Remove and keep panel by lifting front edge and moving backward.



HEAD UNIT REMOVAL

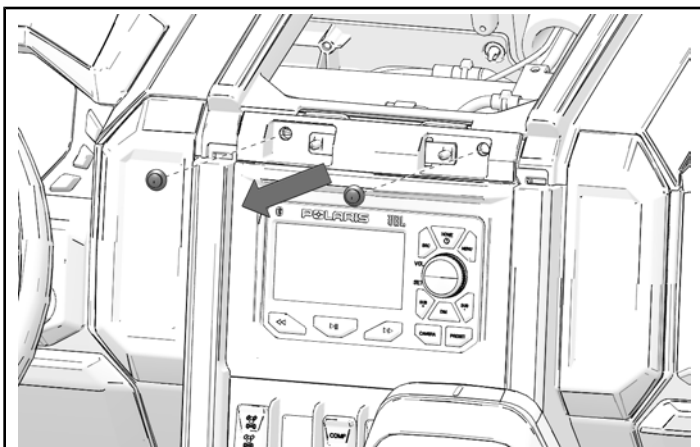
NOTICE

Vehicles without audio system will have a storage bin in place of head unit. Storage bin is removed in a similar manner to head unit.

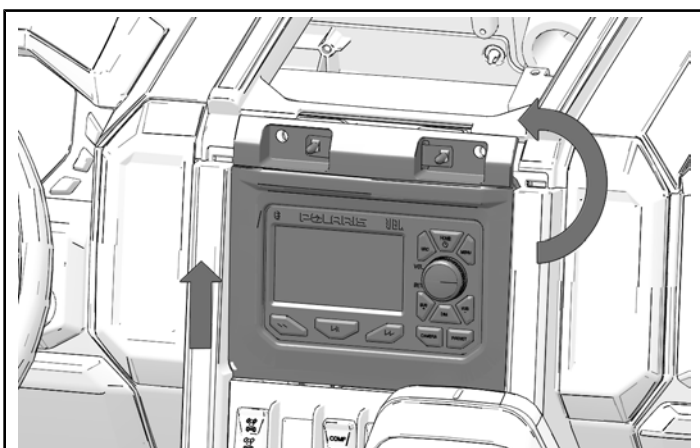
NOTICE

Base audio head unit removal shown. Ride Command® display removal similar.

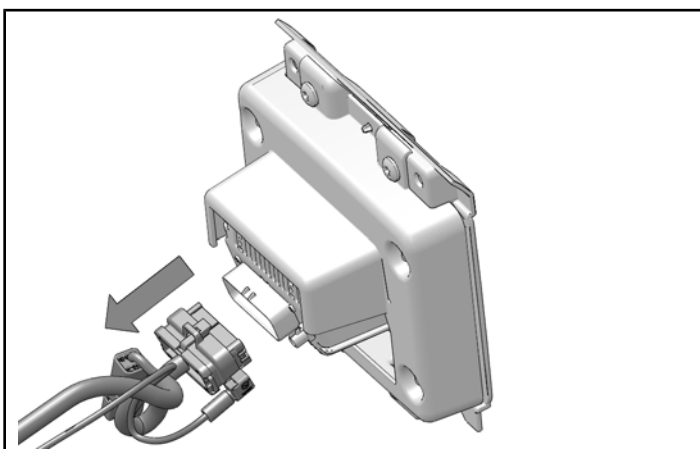
1. Remove and keep two push-pin rivets from top of the head unit.



2. Pull top of head unit away from dash and lift head unit up to remove from dash.



3. Disconnect wiring harness and antenna from head unit. Remove and keep head unit.

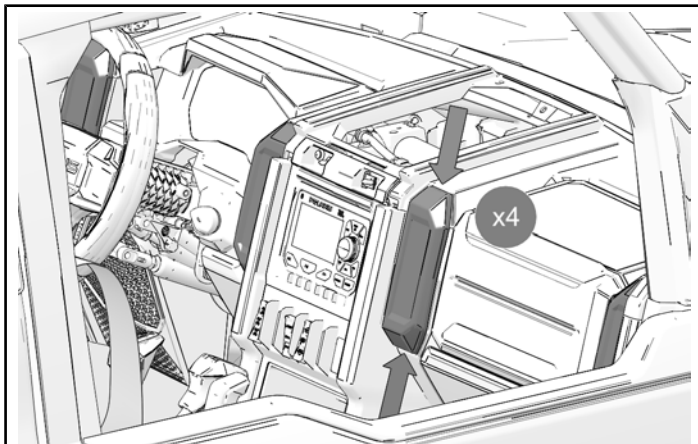


REMOVE DASH COVER

1. Remove four dash vents/covers. Pry simultaneously at top and bottom of vent/cover to remove.

IMPORTANT

Make sure white clips on back of vents/covers do not become lost.



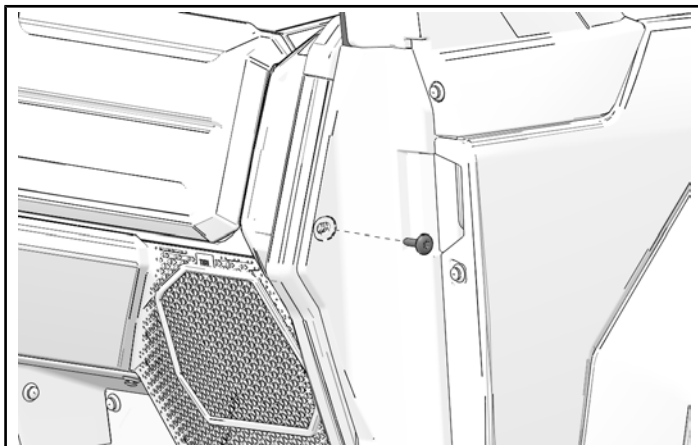
2. Remove one screw at each side of dash cover.

NOTICE

Right side shown; left side similar.

TIP

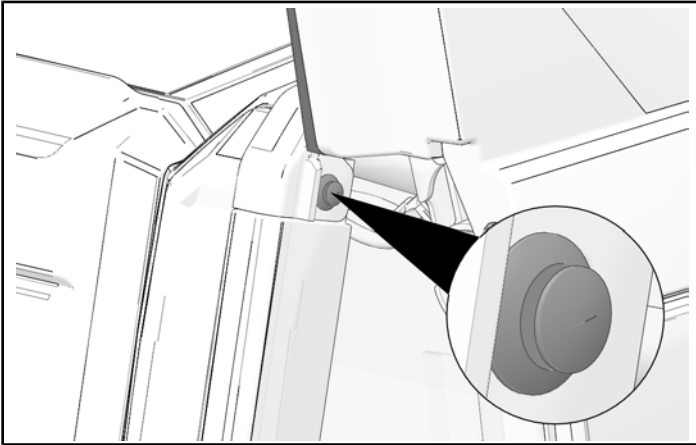
Doors will need to be fully open to access and remove these screws. Removal of these screws allows cover to be pulled open in next step to remove push-pin rivet.



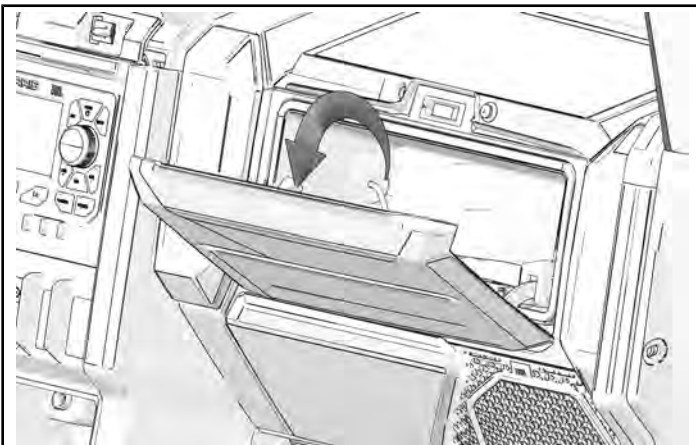
- Carefully pull plastic cover away from lower A-pillar area and remove one push-pin rivet from side of dash cover.

NOTICE

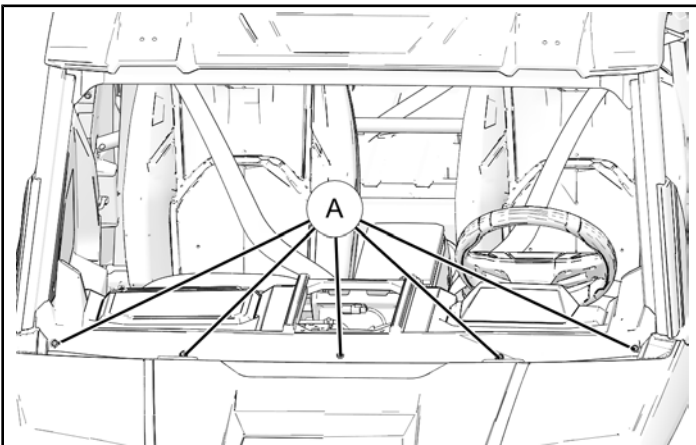
A-pillar trim hidden for clarity.



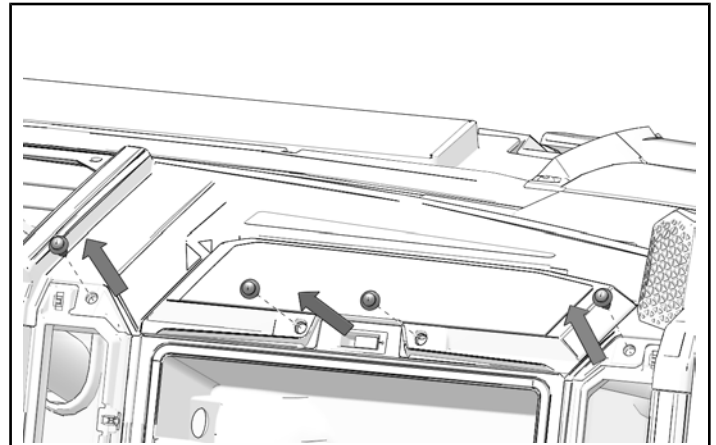
- Open glove box.



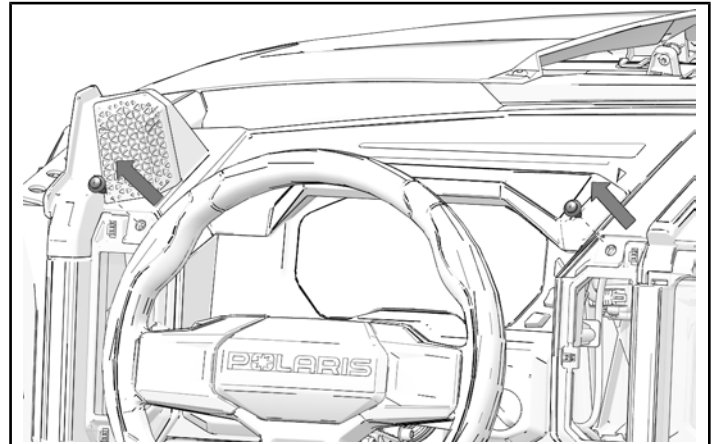
- Remove and keep five screws (A) and washers at front of dash cover.



- Remove four push-pin rivets from passenger side of dash cover.



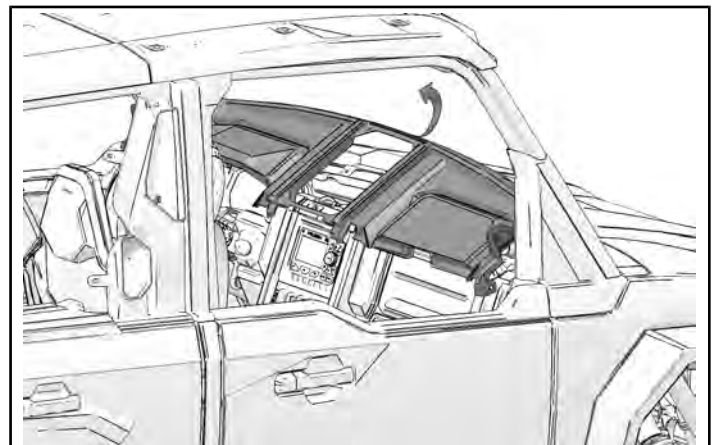
- Remove two push-pin rivets from drivers side of dash cover.



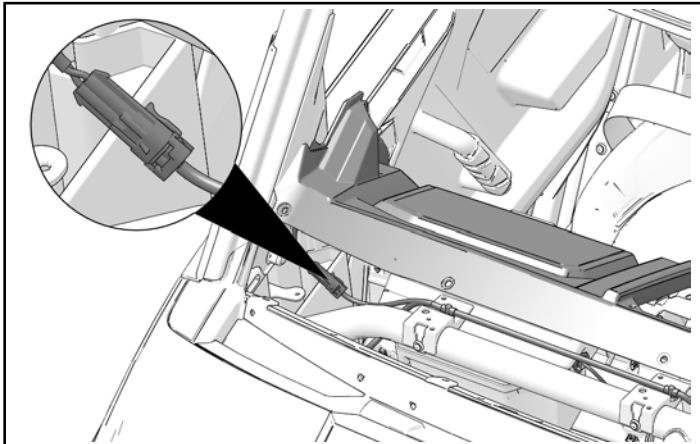
- Lift up and forward to remove dash cover.

TIP

Lift up on front center of dash to disengage two radio retention tabs.



- If vehicle is equipped with upper tweeters, make sure to unplug tweeters when removing dash cover.

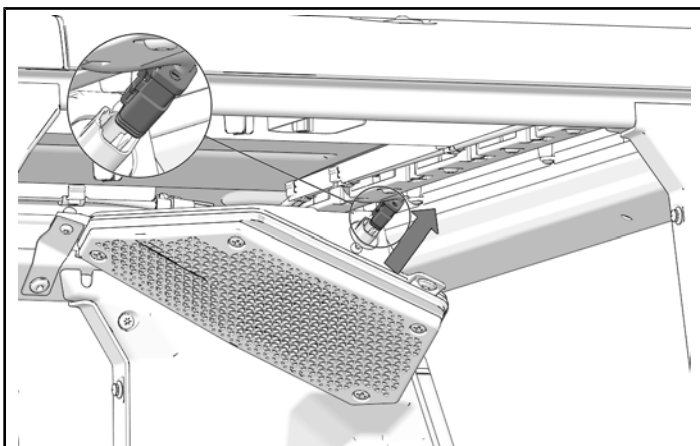


REAR SPEAKER REMOVAL (2 PASSENGER ONLY, IF EQUIPPED)

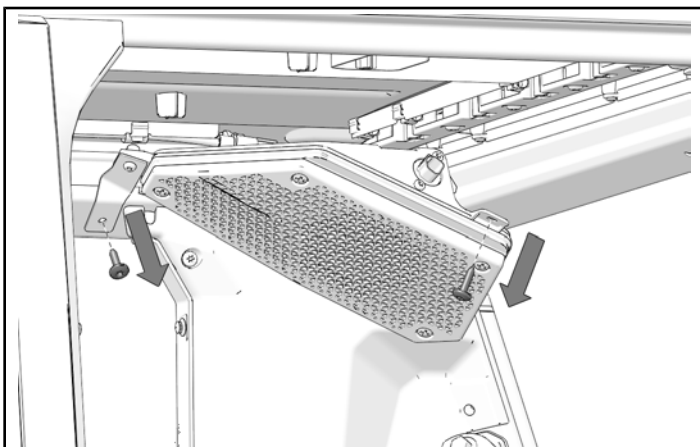
NOTICE

Right side shown; left side similar.

- Disconnect wiring harness from the rear speaker.

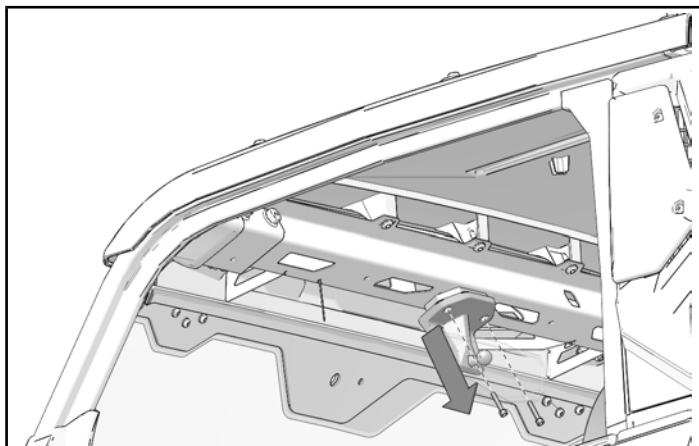


- Remove and keep two screws. Remove the speaker.

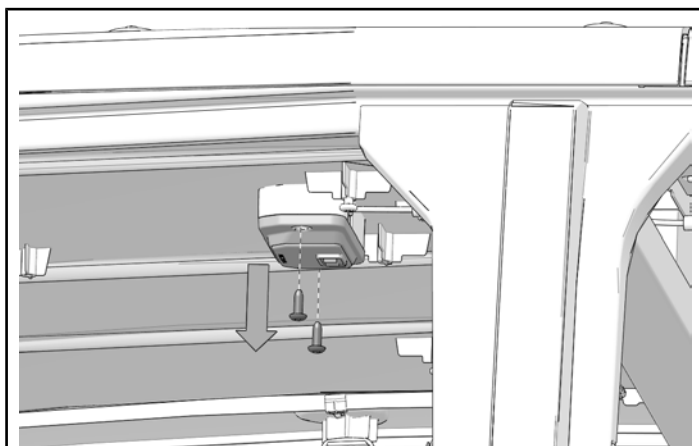


FRONT ROOF LINER REMOVAL

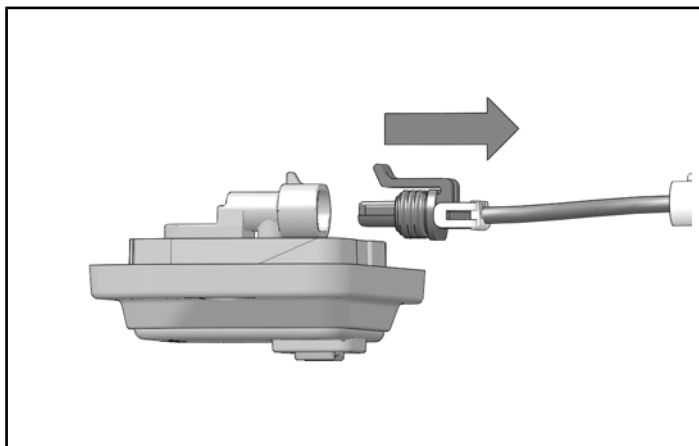
- Remove and save two screws and rearview mirror assembly (if equipped).



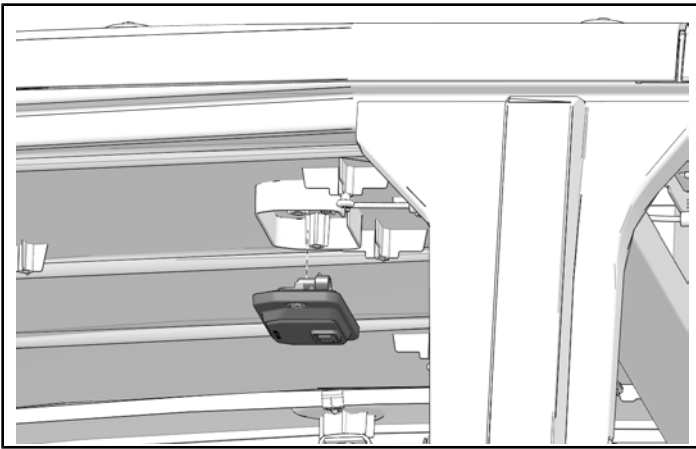
- Remove and keep two screws to uninstall dome light.



- Disconnect dome light from wiring harness.



4. Remove and keep dome light.



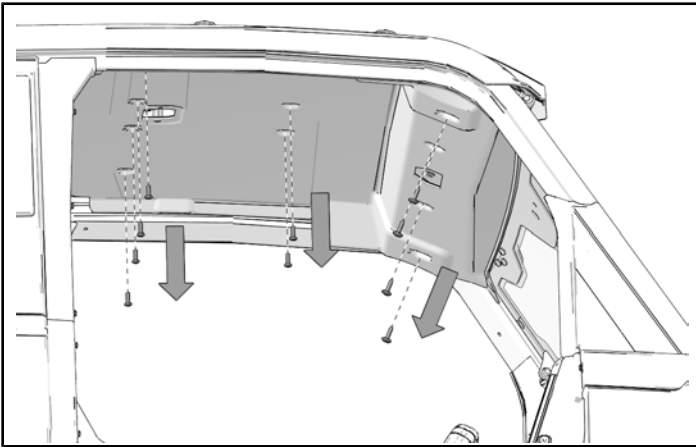
5. Remove and keep six screws from top of roof liner and four screws from front of roof liner.

NOTICE

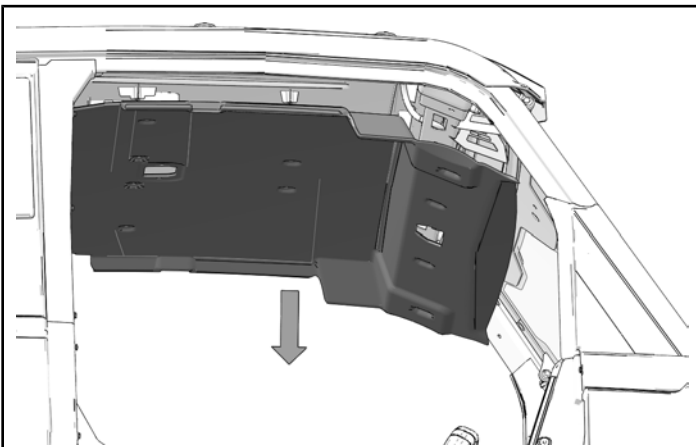
Vehicles that are not equipped with rearview mirror will have a fifth screw at front of roof liner.

NOTICE

Vehicles equipped with 2-passenger cab will have three additional screws near rear of roof liner.

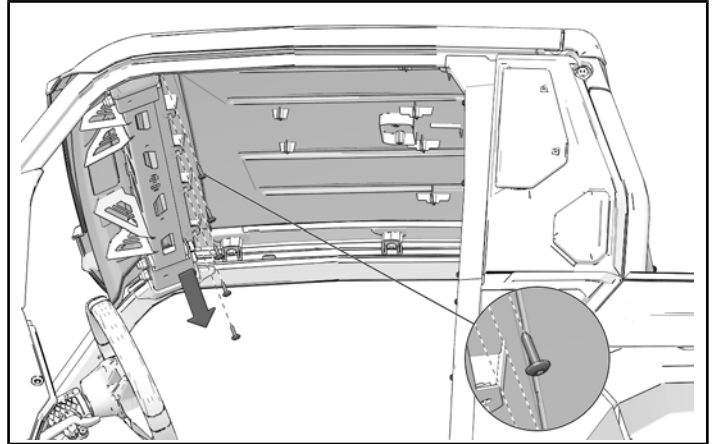


6. Remove and keep front roof liner.



REMOVE FRONT ROOF SCREWS

1. Remove and keep five screws from front underside of roof.



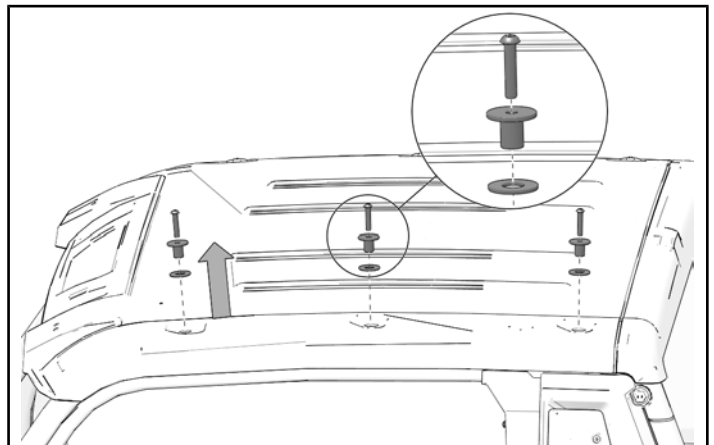
2. Remove and keep three front screws, spacers, and washers from each side of roof.

NOTICE

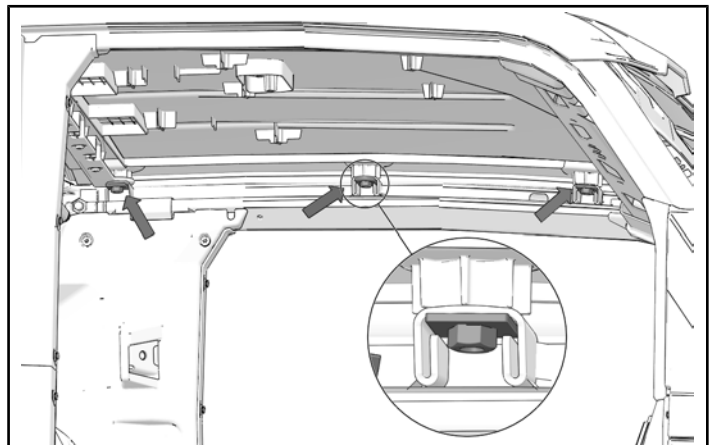
2 passenger vehicle shown; other models similar.

NOTICE

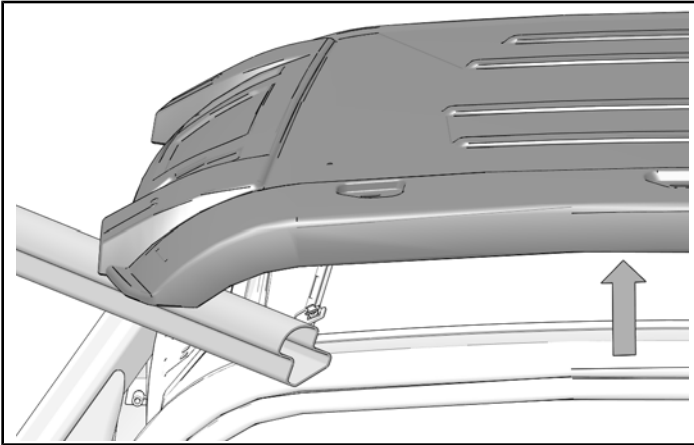
Left side shown; right side similar.



3. Remove and keep three weld nuts from each side of roof underside.



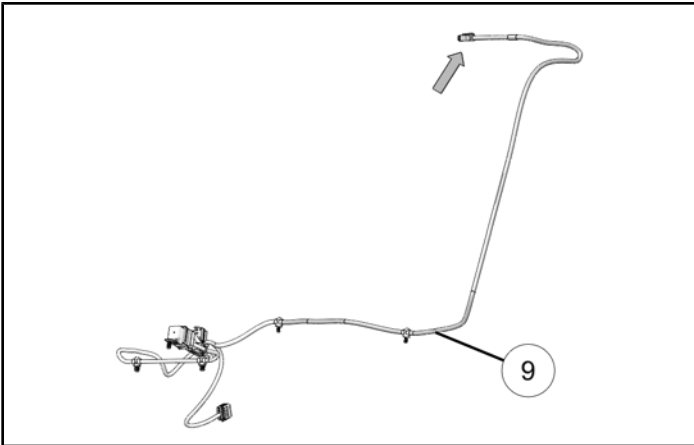
4. Use bar or other appropriate object to prop up corner of roof.



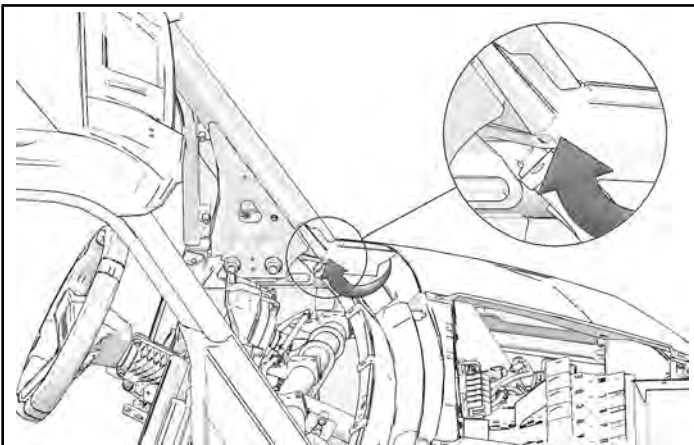
ACCESSORY INSTALLATION

INSTALL CONTROL HARNESS AND SWITCH

1. Locate end of harness ⑨ shown.



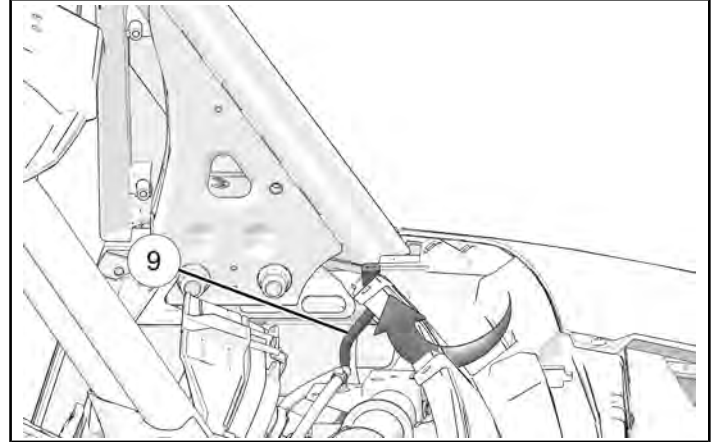
2. Locate opening in ROPS at base of left A-pillar tube.



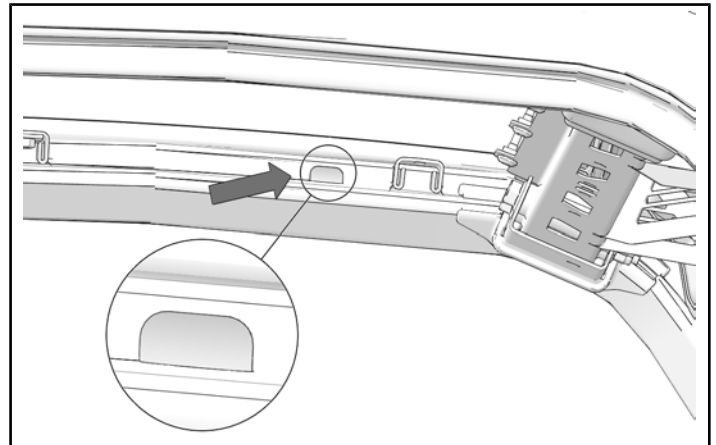
3. Feed end of harness ⑨ shown up into opening in ROPS A-pillar.

TIP

If vehicle is equipped with full poly windshield, remove upper windshield mounting hardware to avoid interference between harness and screw inside A-pillar tube.



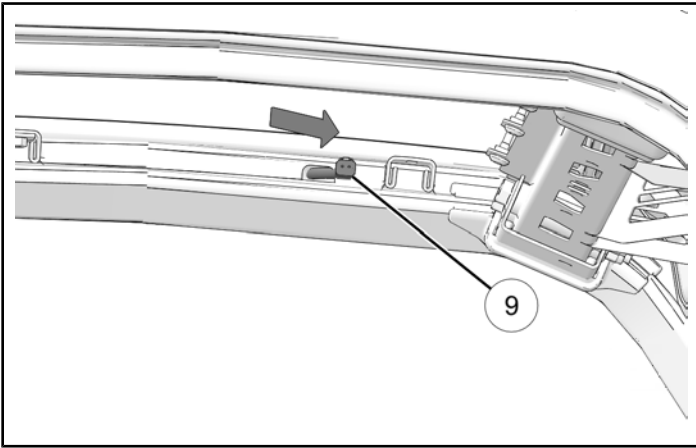
4. Feed wiring harness through ROPS A-pillar while watching for end to appear in opening above drivers window area.



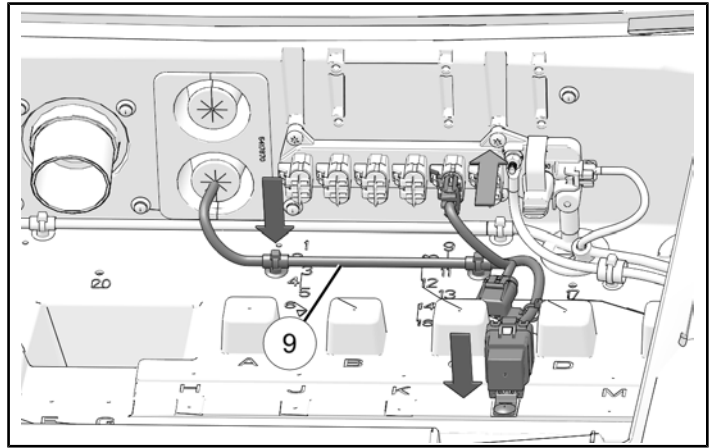
5. Pull end of harness ⑨ through opening in ROPS.

TIP

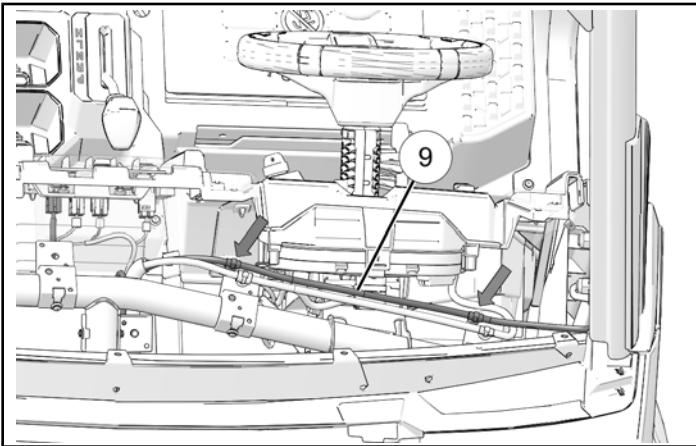
Use a pick or hook tool to help pull end of harness through opening.



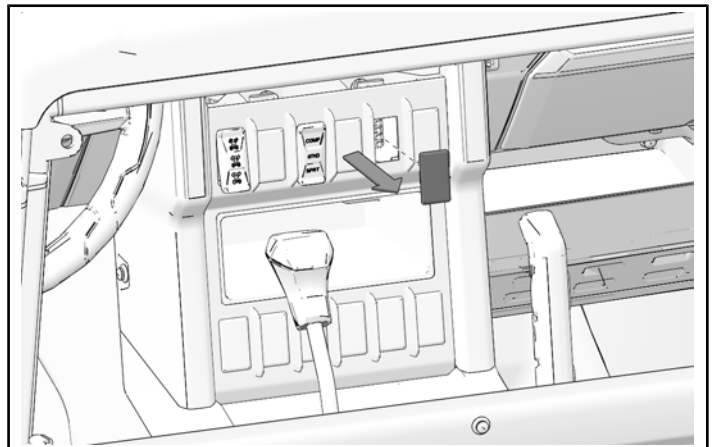
7. Pull end of harness ⑨ containing fuse block, relay, and Pulse® connector through grommet to hood area. Push harness push darts into holes at locations 3 and 11. Install push dart for relay into hole at position L. Connect harness to Polaris Pulse® bar.



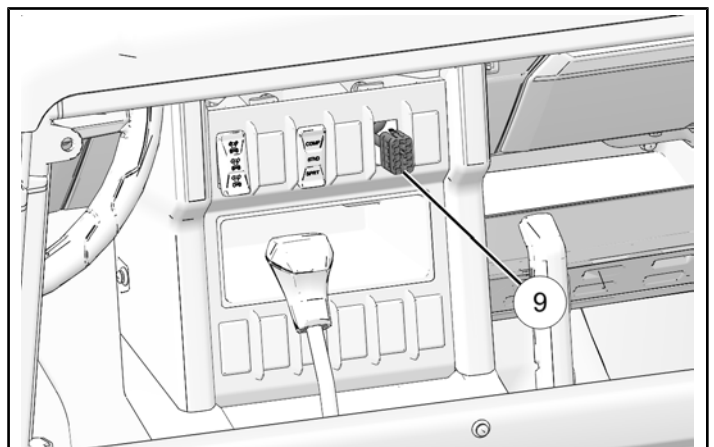
6. Pull harness through A-pillar until connectors at dashboard end of harness line up with positions shown. Secure harness ⑨ to frame with push darts.



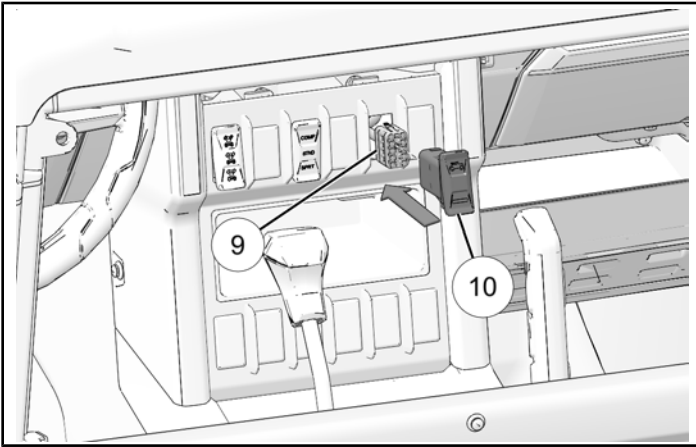
8. Remove switch cover from appropriate opening in dash.



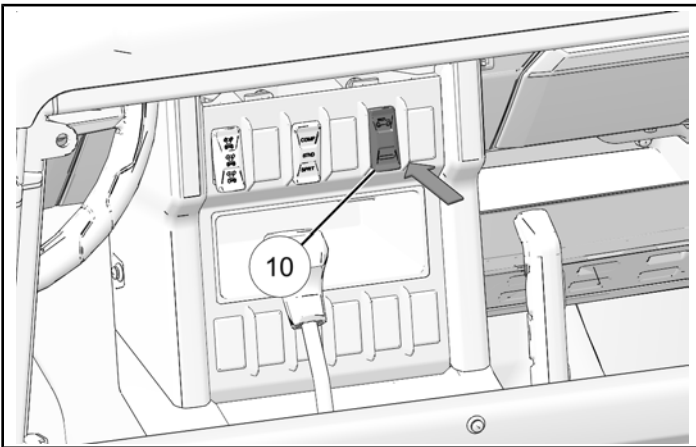
9. Pull harness ⑨ through opening in dash.



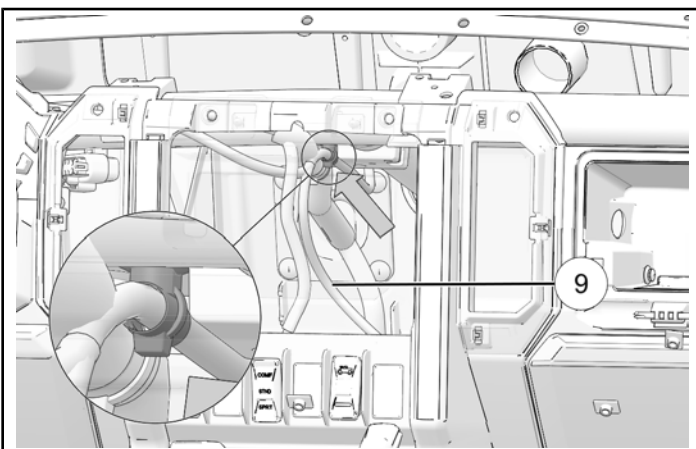
10. Connect switch ⑩ to harness ⑨.



11. Push switch ⑩ into opening until it seats with an audible click.

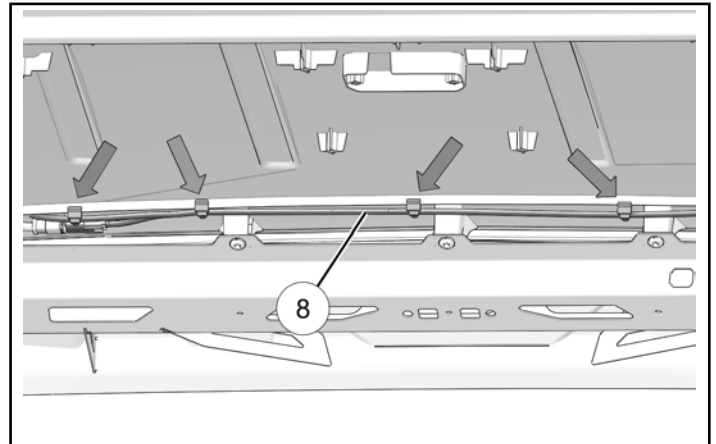


12. Clip harness to mounting point behind head unit opening as shown.

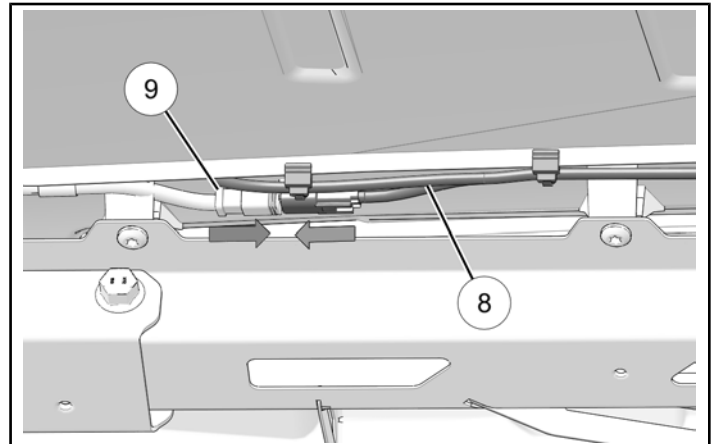


INSTALL Y HARNESS

1. Route Y harness ⑧ along front of roof. Use four edge clips to attach harness to roof.



2. Connect Y harness ⑧ to control harness ⑨.

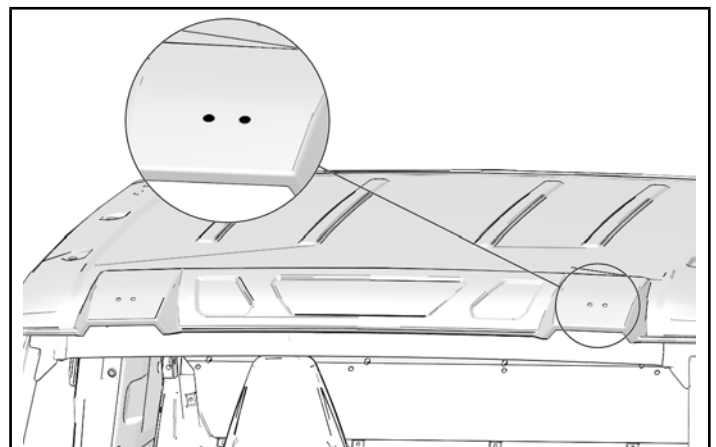


PREPARE ROOF FOR CUBE LIGHT MOUNTING

1. Locate two dimples on eyebrow features on roof. Drill hole at each dimple.

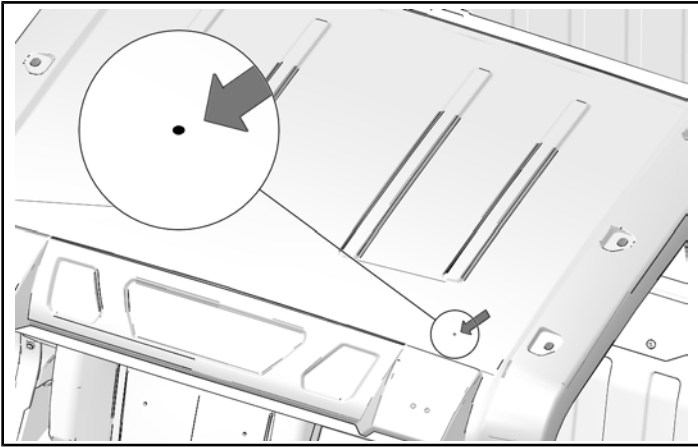
MEASUREMENT

Drill Bit Size:
11/16 in (17 mm)



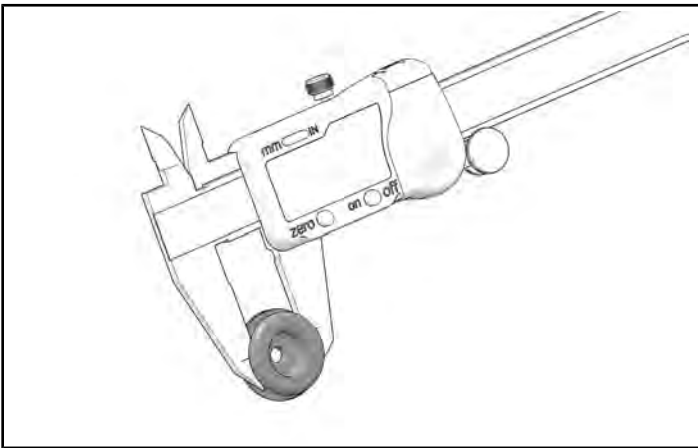
2. Locate drill point for grommet behind drivers side eyebrow feature. Drill pilot hole at this location.

MEASUREMENT
Drill Bit Size: 1/8 in (3 mm)



3. Cube light kit will contain two grommets. Measure grommet to determine needed hole size.

TIP
Grommet may already be installed on cube light wiring harness.



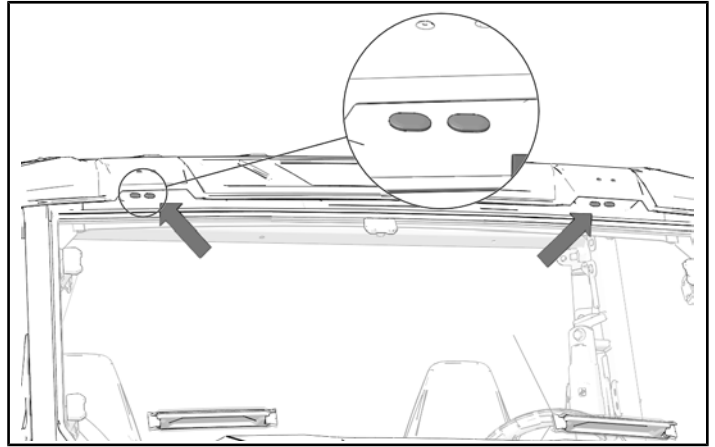
4. Use appropriate sized drill or hole saw to expand the grommet pilot hole to correct size for grommet. Push cube light wiring harness through hole. Place grommet around cube light harness and install grommet into hole.

TIP
It may be necessary to slit grommet to enable harness connector to fit through grommet.

5. Repeat Step 2 through Step 4 for passenger side grommet.
6. Connect cube light harnesses to Y harness.

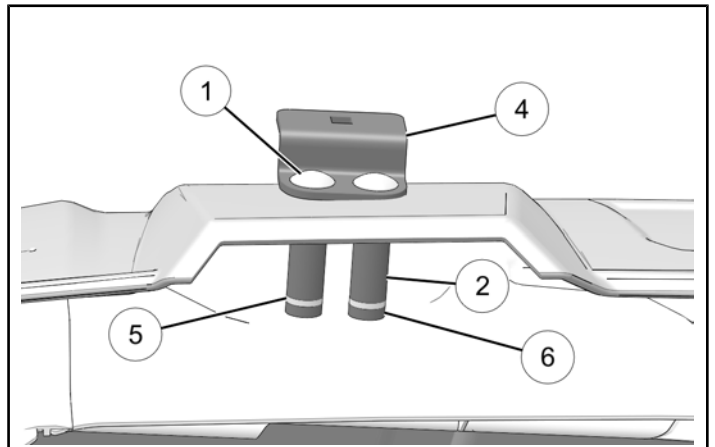
MOUNT INSTALLATION – NO WINDSHIELD OR FIXED POLY WINDSHIELD

1. Vehicles equipped with fixed poly windshield will have plugs in upper mounting holes. Remove these plugs. Vehicles without windshield will have no plugs.



2. Install bracket ④, two carriage screws ①, two tubular spacers ②, 3 mm spacers ⑤, and 5 mm spacers ⑥ at the eyebrow feature.

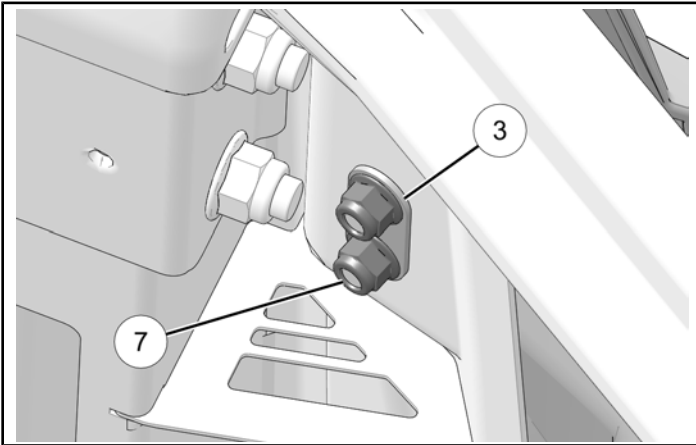
NOTICE
Right side shown; left side similar.



3. Install washer plate ③ and two nuts ⑦ on underside of ROPS. Tighten nuts to specification.

TORQUE

Nuts ⑦:
18 ft-lbs (24.4 N·m)



MOUNT INSTALLATION – FIXED GLASS WINDSHIELD

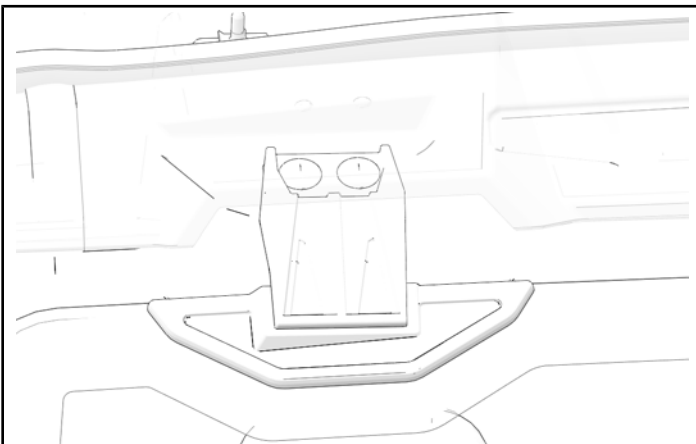
1. Vehicles equipped with fixed glass windshield will have mounts at upper mounting holes. Cube light mounts will share upper mounting holes with windshield mounts.

NOTICE

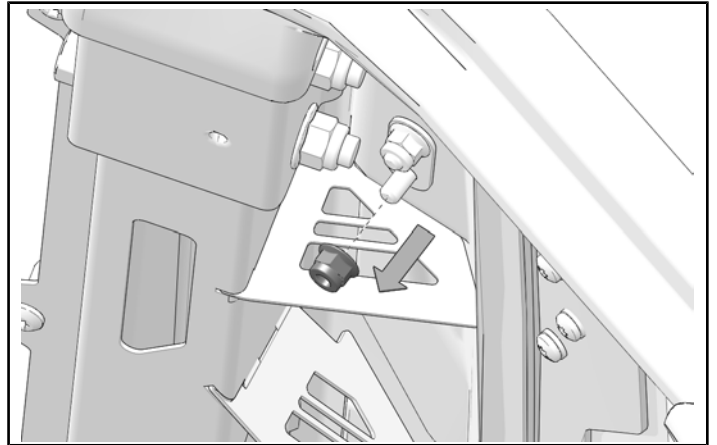
Roof hidden for clarity.

NOTICE

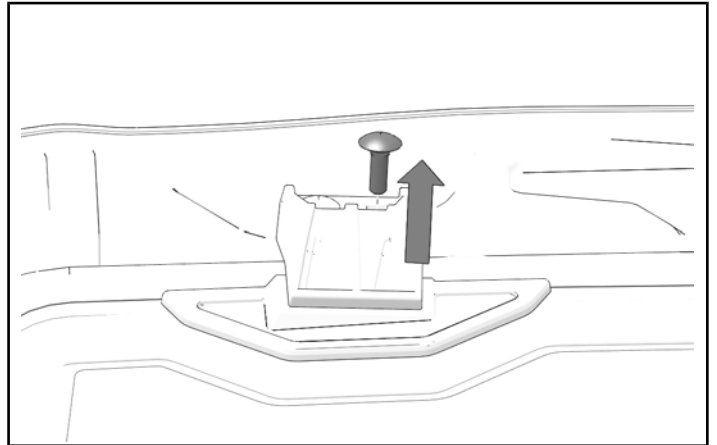
Right side shown; left side similar.



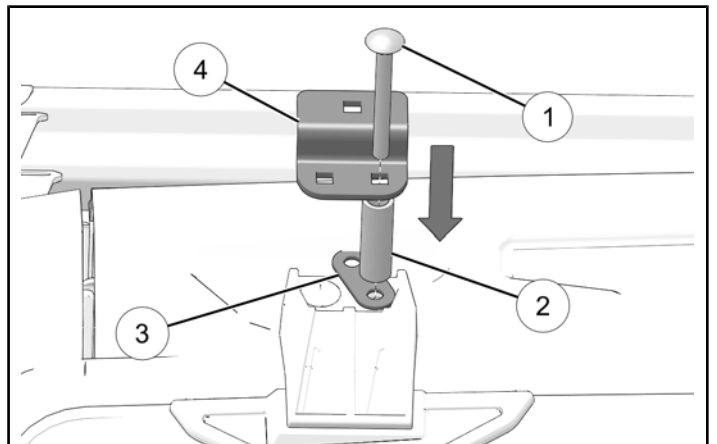
2. Remove one nut from upper clamp mounting.



3. Remove one screw from upper clamp.

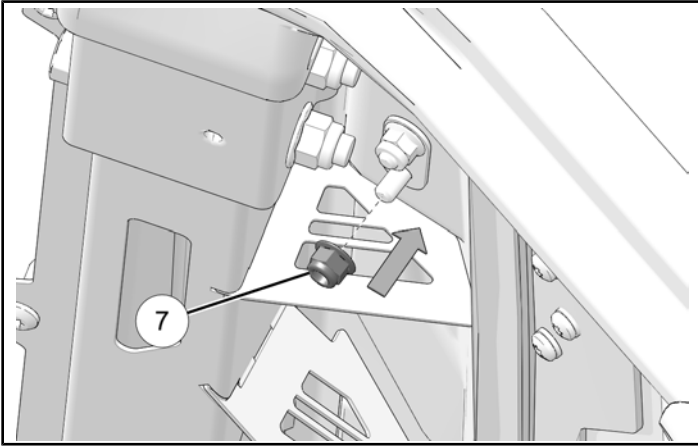


4. Install carriage screw ①, tubular spacer ②, washer plate ③, and bracket ④. Rotate washer plate so that the other screw can be removed later. Tubular spacer will pass through hole drilled in roof.

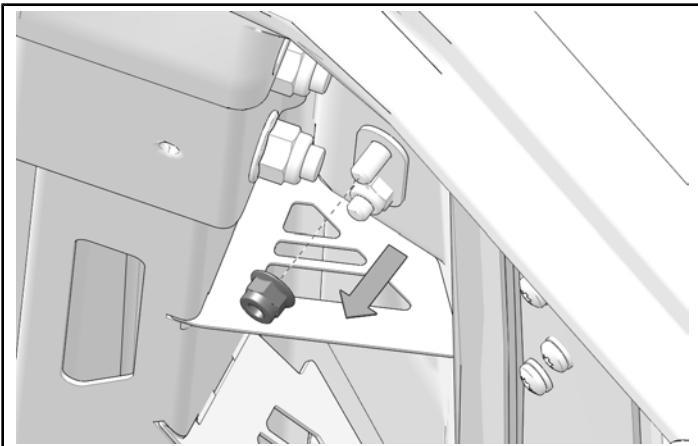


5. Install nut ⑦.

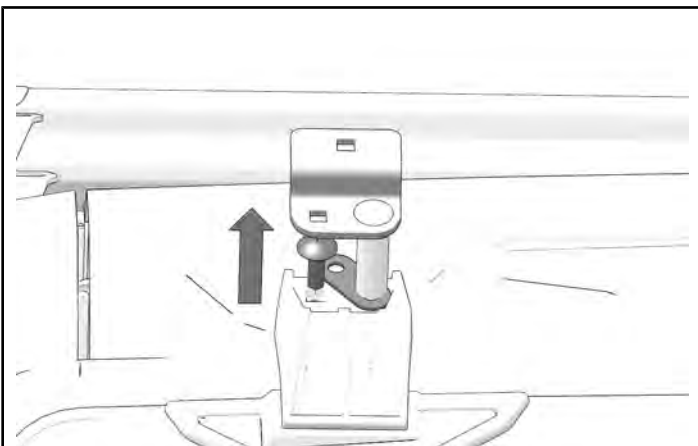
DO NOT torque fasteners at this time.



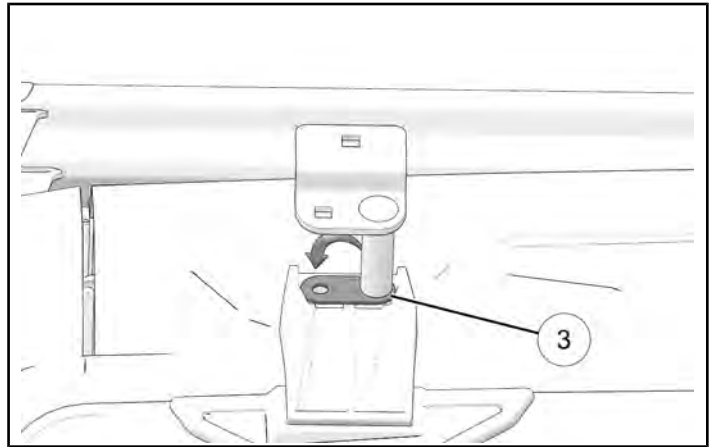
6. Remove the other nut from original mounting hardware.



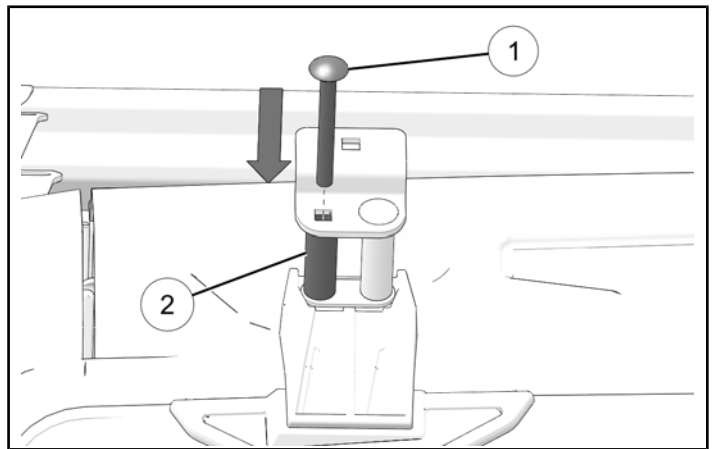
7. Remove carriage screw from window clamp.



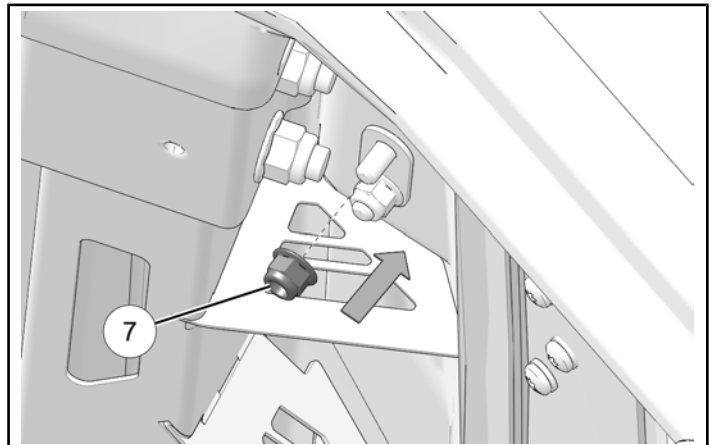
8. Rotate washer plate ③ to line up with remaining hole.



9. Install carriage screw ① and tubular spacer ②.



10. Install nut ⑦.



11. Tighten both nuts to specification.

TORQUE

Nuts ⑦:
18 ft-lbs (24.4 N·m)

12. Repeat steps for remaining mount.

MOUNT INSTALLATION – TIPOUT GLASS WINDSHIELD

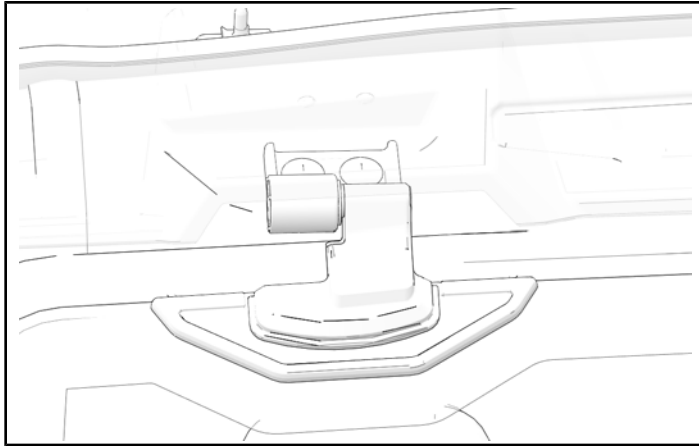
1. Vehicles equipped with tipout glass windshield will have hinges at upper mounting holes. Cube light mounts will share upper mounting holes with windshield mounts.

NOTICE

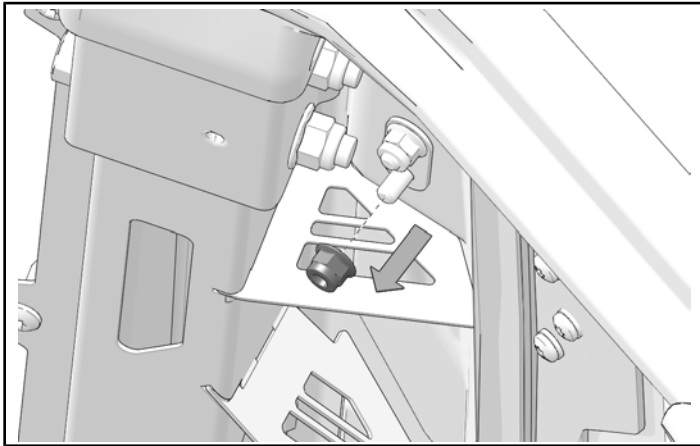
Roof hidden for clarity.

NOTICE

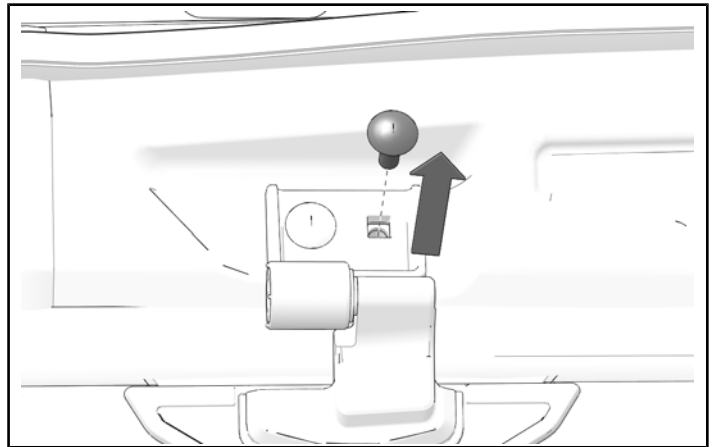
Right side shown; left side similar.



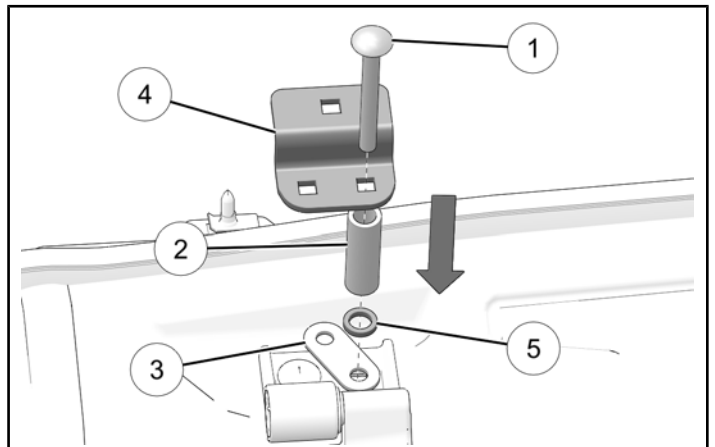
2. Remove one nut from upper clamp mounting.



3. Remove one screw from upper hinge.

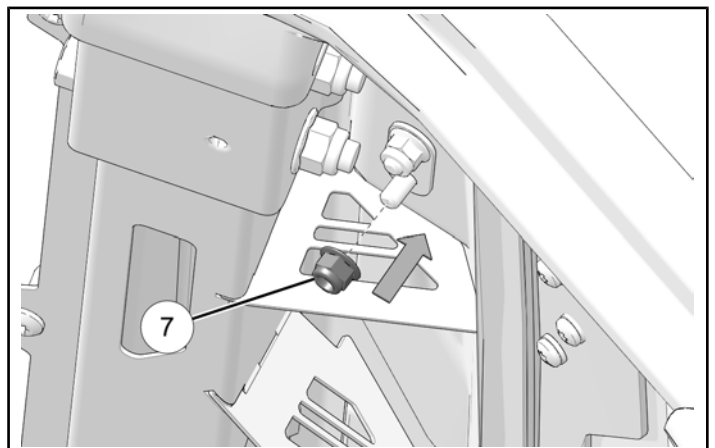


4. Install carriage screw ①, tubular spacer ②, washer plate ③, 3 mm spacer ⑤, and bracket ④. Rotate washer plate so that the other screw can be removed later. Tubular spacer will pass through hole drilled in roof.

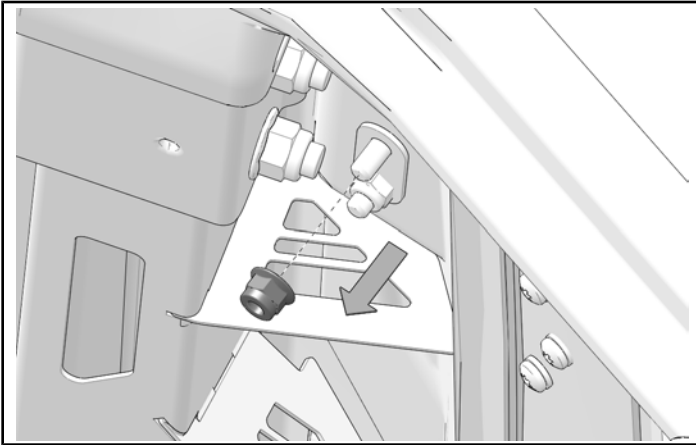


5. Install nut ⑦.

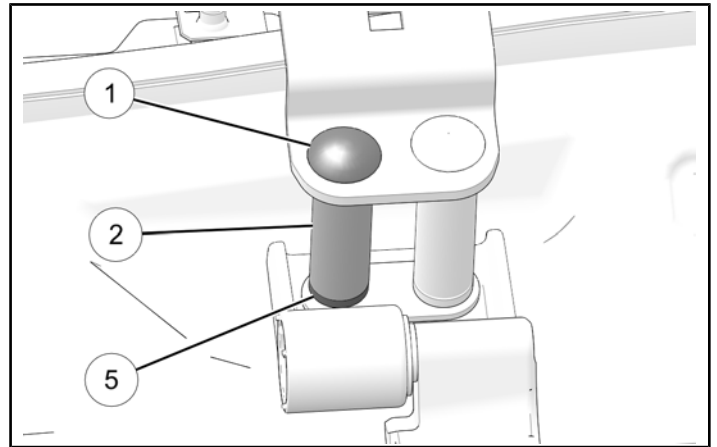
DO NOT torque fasteners at this time.



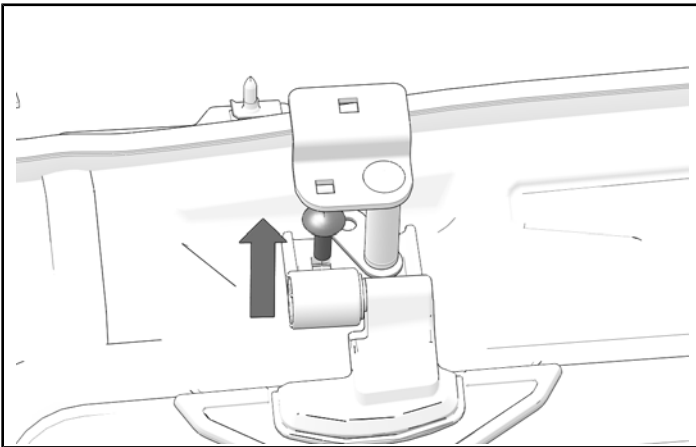
6. Remove the other nut from original mounting hardware.



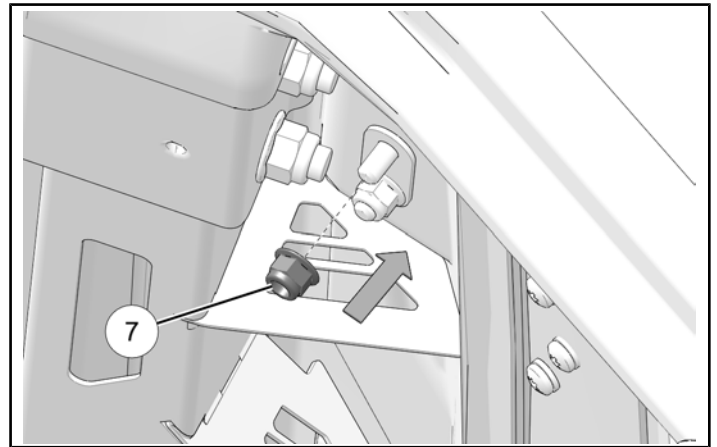
9. Install carriage screw ①, tubular spacer ②, and 3 mm spacer ⑤.



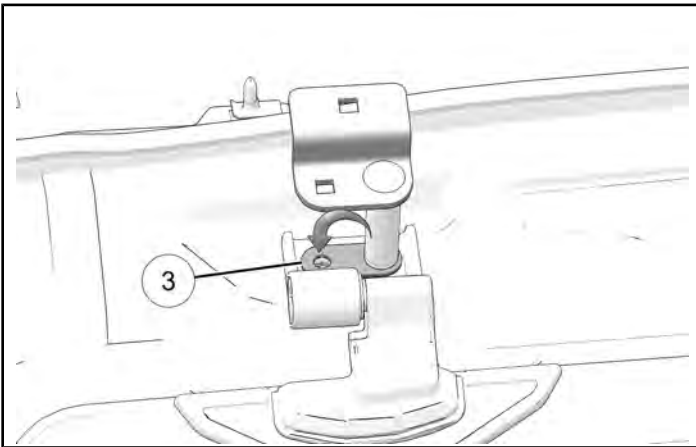
7. Remove carriage screw from window hinge.



10. Install nut ⑦.



8. Rotate washer plate ③ to line up with remaining hole.



11. Tighten both nuts to specification.

TORQUE

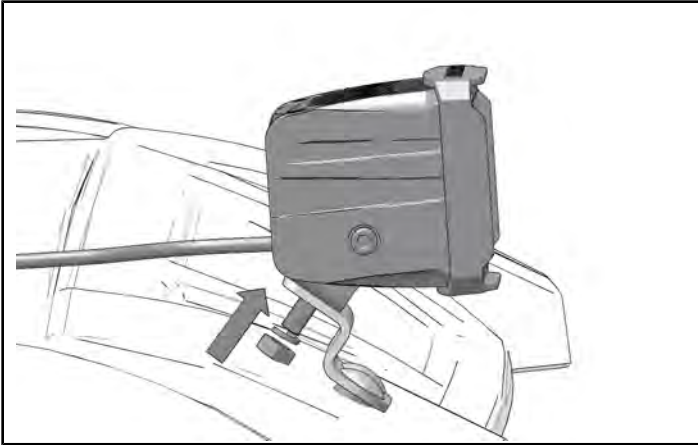
Nuts ⑦:
18 ft-lbs (24.4 N·m)

12. Repeat steps for remaining mount.

13. Install cube lights on mounts. Torque nuts to specification.

TORQUE

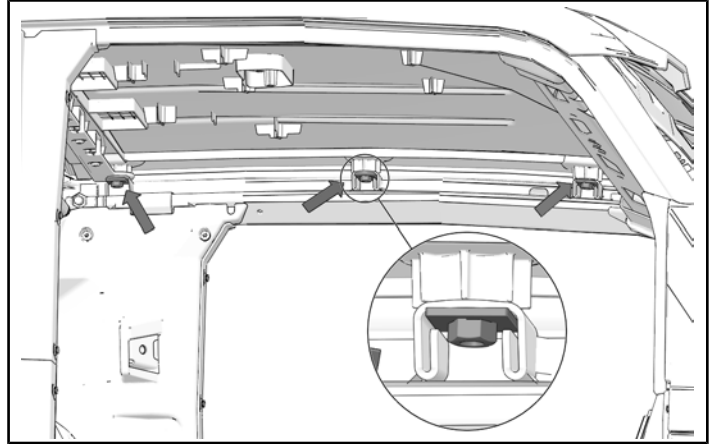
Nuts:
12 ft-lbs (17 N·m)



2. Install three weld nuts on each side of roof underside.

TIP

On 2 passenger vehicle only, rear nut on each side will need to be held in place while starting screw in nut. All other nuts will be held in place by brackets on ROPS.



VEHICLE REASSEMBLY

INSTALL FRONT ROOF SCREWS

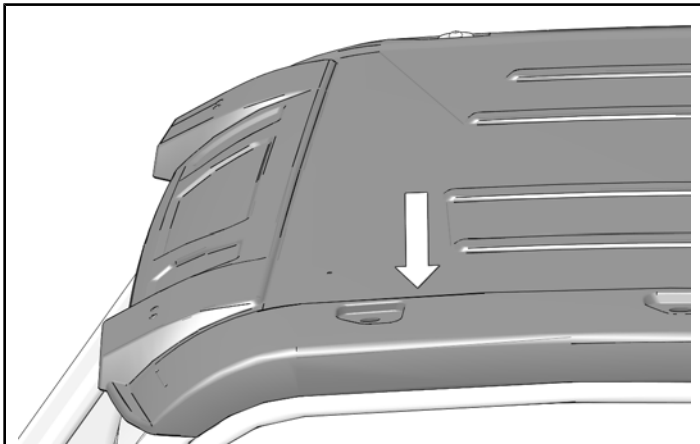
1. Remove any object propping up corner of roof. Lay roof flat on vehicle.

NOTICE

2 passenger vehicle shown; other models similar.

NOTICE

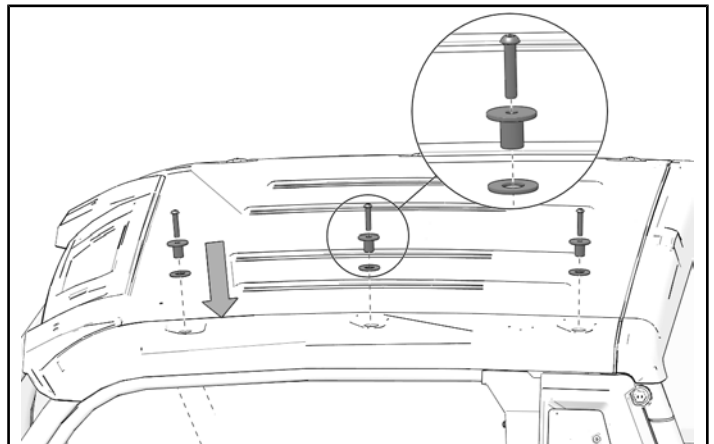
Left side shown; right side similar.



3. Install three washers, spacers, and screws on each side of roof. Tighten screws to specification.

TORQUE

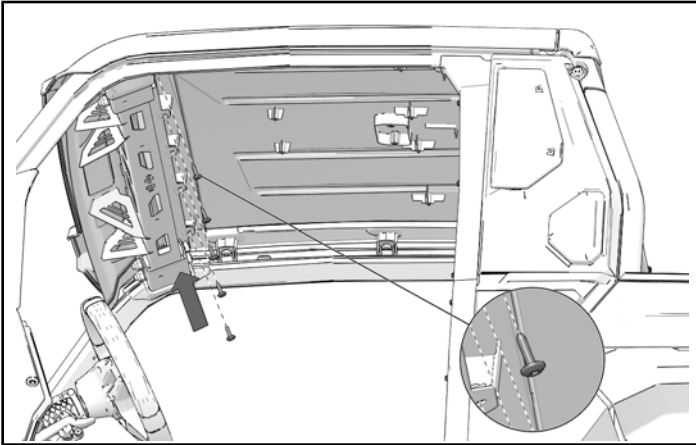
Roof Screws:
18 ft-lbs (25 N·m)



4. Install five screws in underside of roof. Torque screws to specification.

TORQUE

Roof Screws:
42 in-lbs (4.7 N·m)



2. Install six screws in top of roof liner and four screws in front of roof liner. Torque screws to specification.

NOTICE

Vehicles that are not equipped with rearview mirror will have a fifth screw at front of roof liner.

NOTICE

Vehicles equipped with 2-passenger cab will have three additional screws near rear of roof liner.

TORQUE

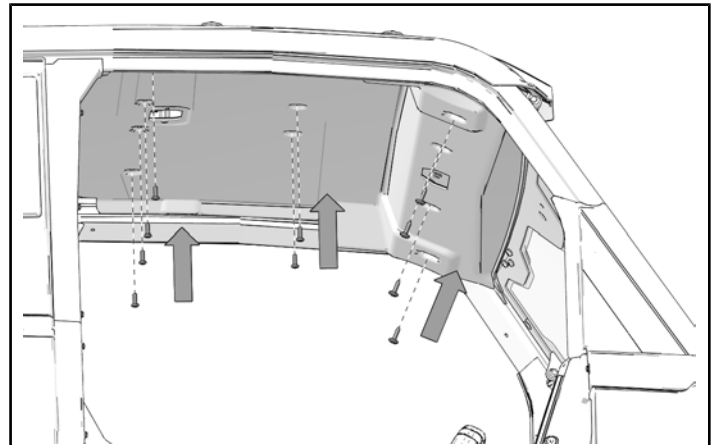
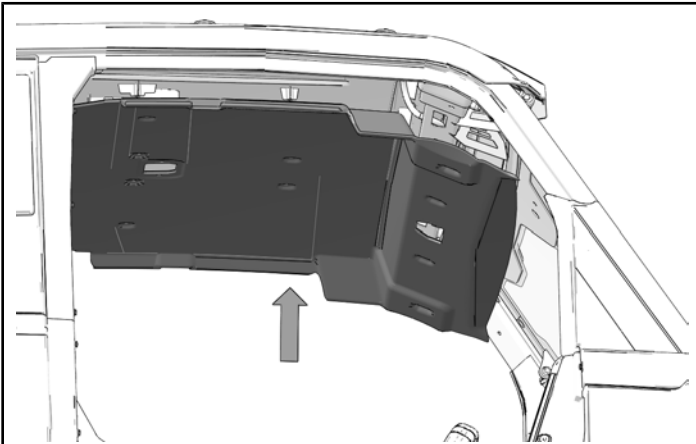
Top Roof Liner Screws:
27 in-lbs (3 N·m)

TORQUE

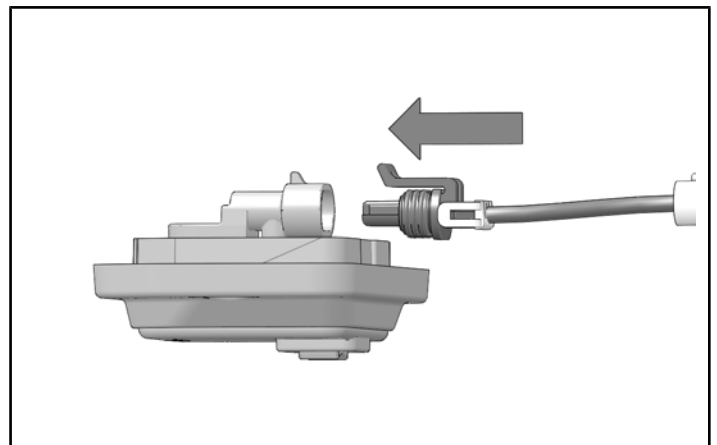
Front Roof Liner Screws:
44 in-lbs (5 N·m)

FRONT ROOF LINER INSTALLATION

1. Install front roof liner.



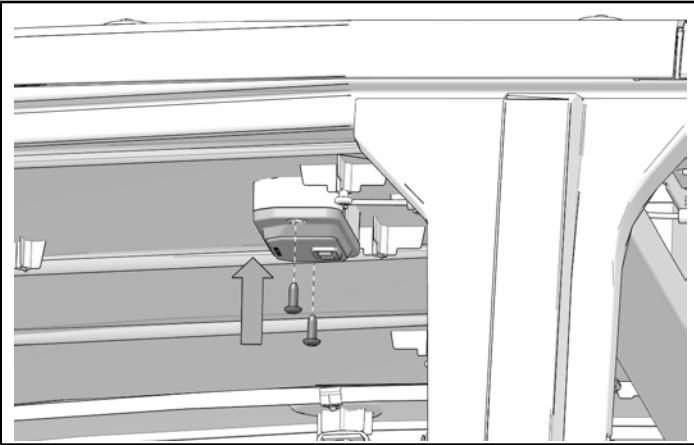
3. Connect wiring harness to dome light.



4. Install dome light with two screws. Torque screws to specification.

TORQUE

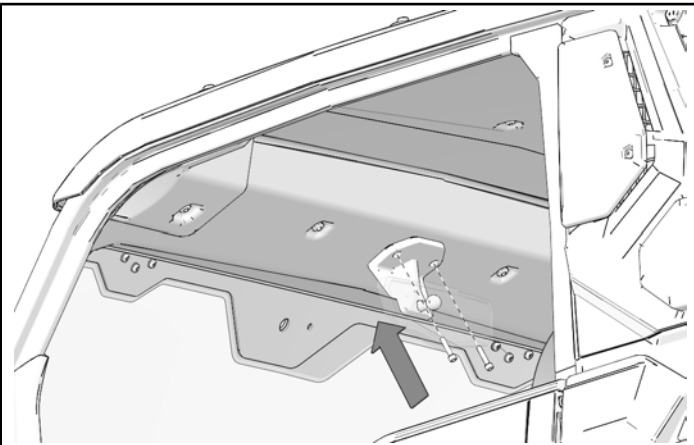
Dome Light Screws:
22 in-lbs (2.5 N·m)



5. Install rearview mirror assembly with two screws. Torque screws to specification.

TORQUE

Mirror Screws:
31 in-lbs (3.5 N·m)



REAR SPEAKER INSTALLATION

1. Install speaker using the kept screws. Torque screws to specification.

TORQUE

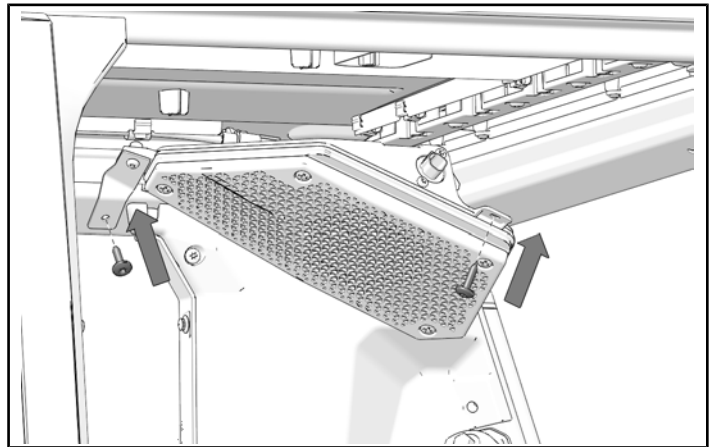
Speaker Mounting Screws:
44 in-lbs (5 N·m)

NOTICE

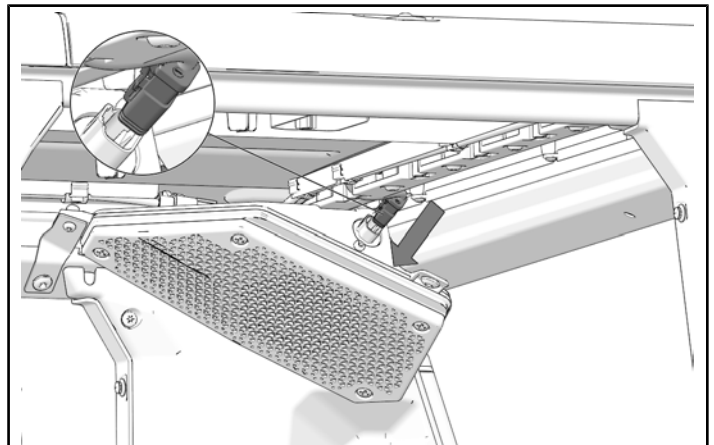
Right side shown; left side similar.

TIP

Top of speaker has a shape that engages a space in ROPS. Make sure speaker is fully seated in this space before installing screws.

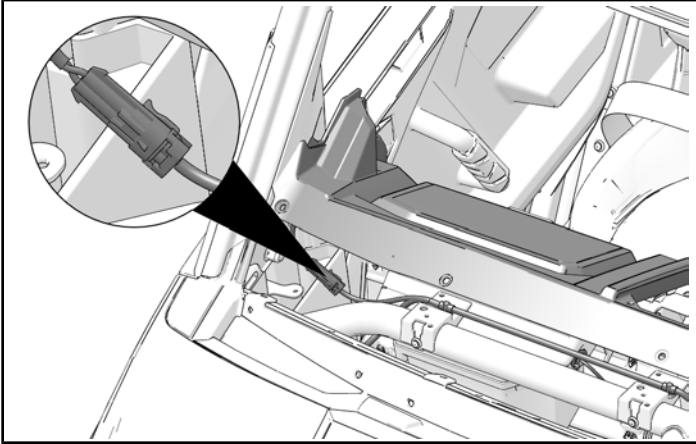


2. Connect the wiring harness to the speaker.



INSTALL DASH COVER

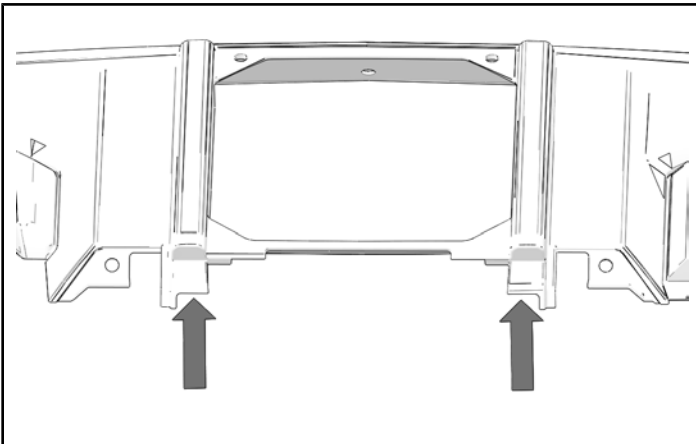
1. Connect speaker wires if necessary.



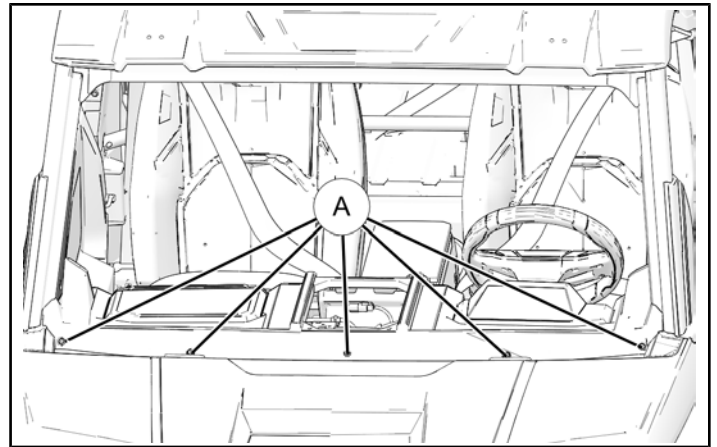
2. Put front of dash cover in position and set into place. Make sure center of dash is placed in slots on vehicle.

TIP

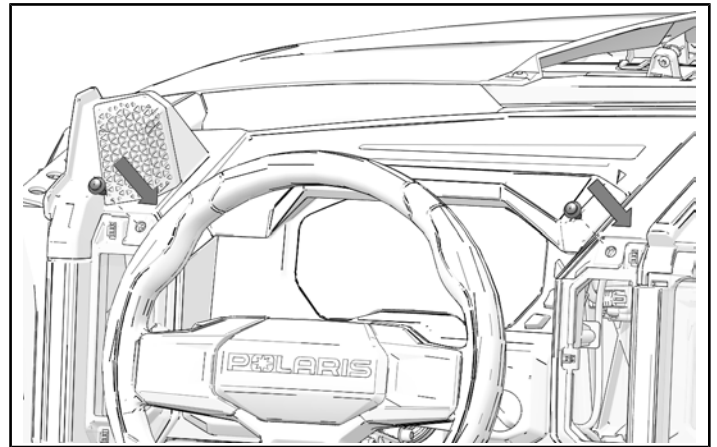
If head unit/storage bin was not removed, make sure these tabs are inserted behind the head unit trim.



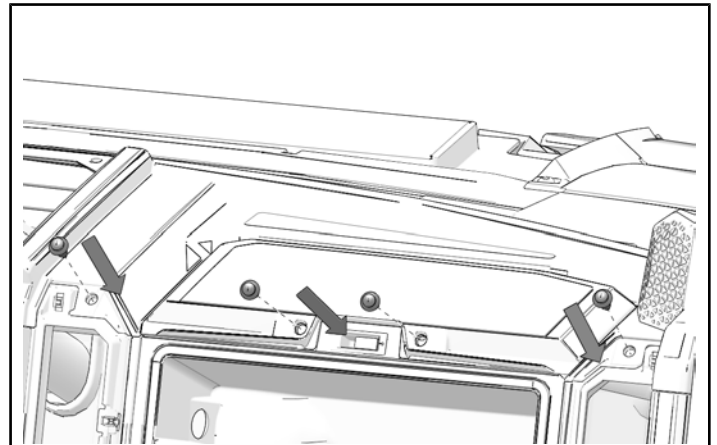
3. Install five push screws (A).



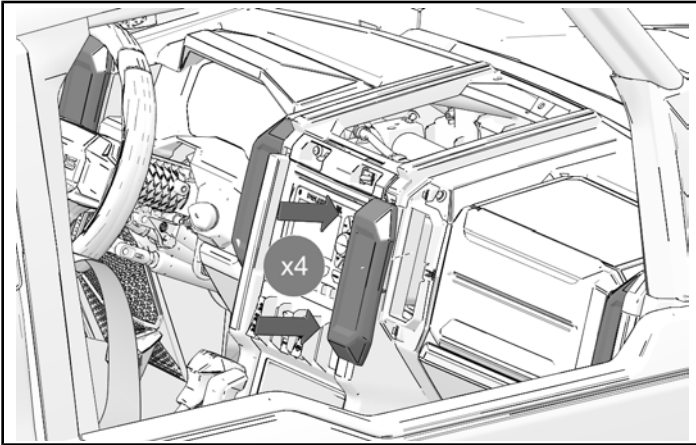
4. Install two push pin rivets on drivers side of dash cover.



5. Install four push pin rivets on passenger side of dash cover.



6. Install four dash vent covers. Push evenly at top and bottom to install.



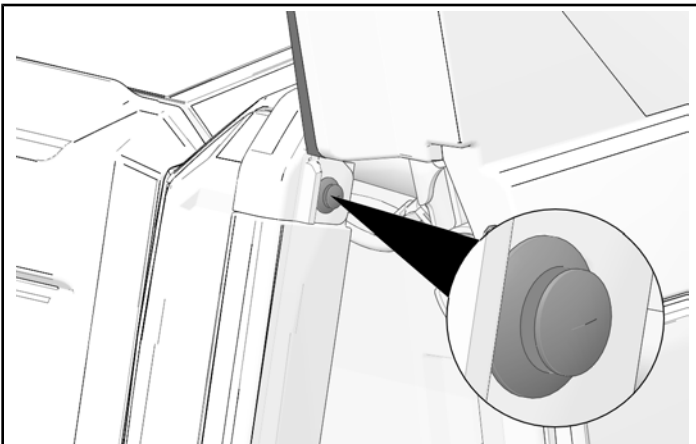
7. Install one push pin rivet at each side of dash.

NOTICE

A-pillar trim hidden for clarity.

NOTICE

Right side shown; left side similar.



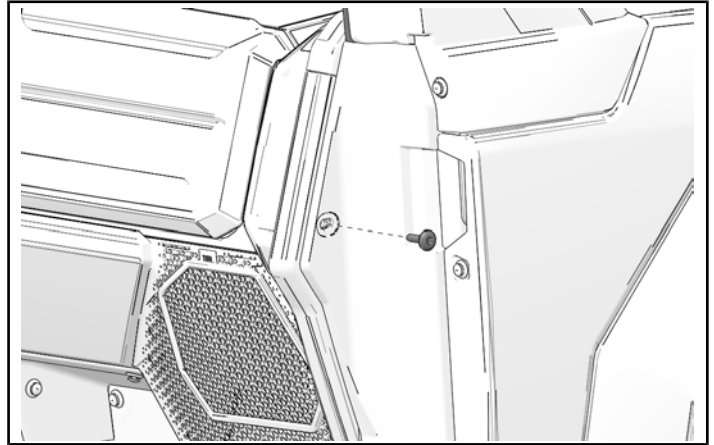
8. Install one screw at each side of dash. Torque to specification.

NOTICE

Right side shown; left side similar.

TORQUE

Dash Screws:
26.5 in-lbs (3 N·m)

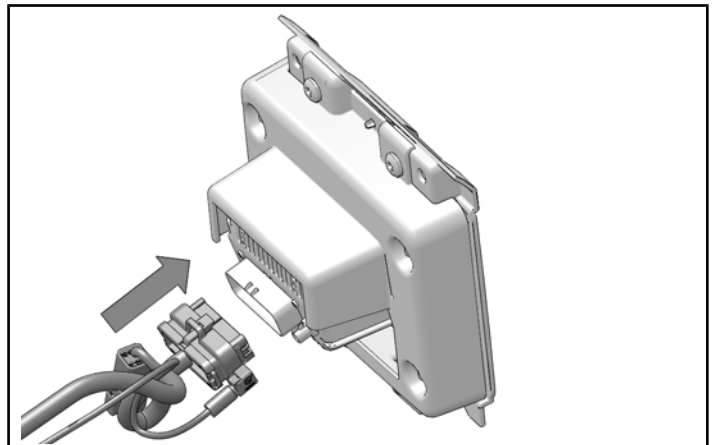


HEAD UNIT INSTALLATION

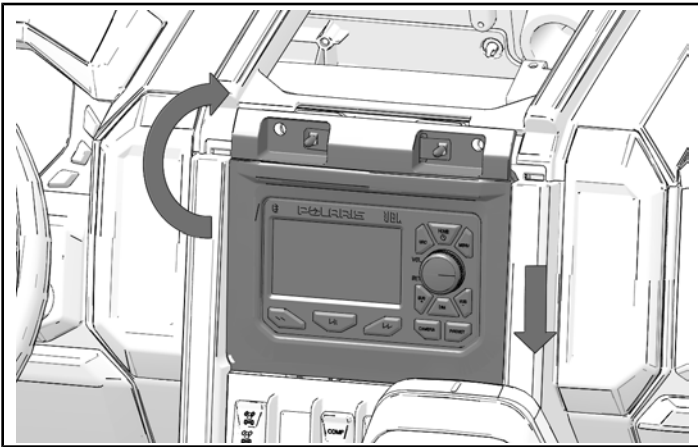
NOTICE

Base audio head unit installation shown. Ride Command® display installation similar.

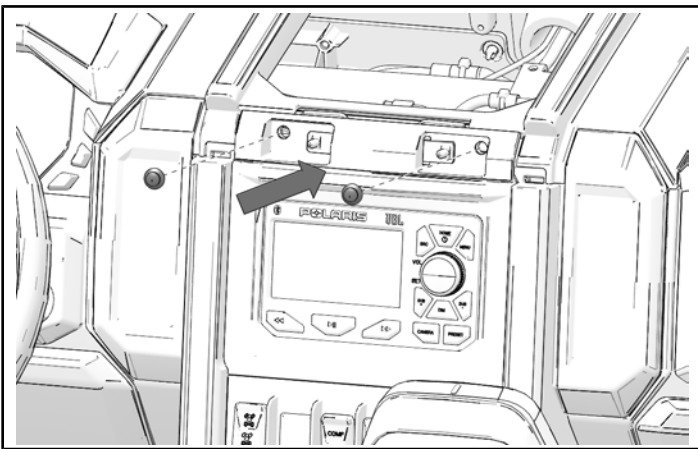
1. Attach wiring harness and antenna to head unit.



- Put bottom of head unit into position. Push top of head unit into dash.

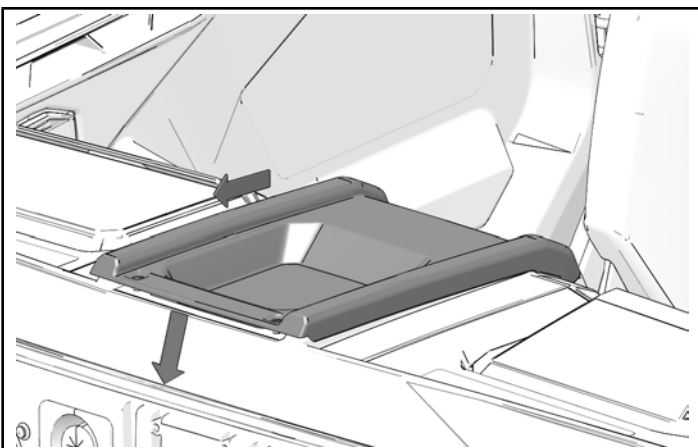


- Install two push-pin rivets into top of head unit.

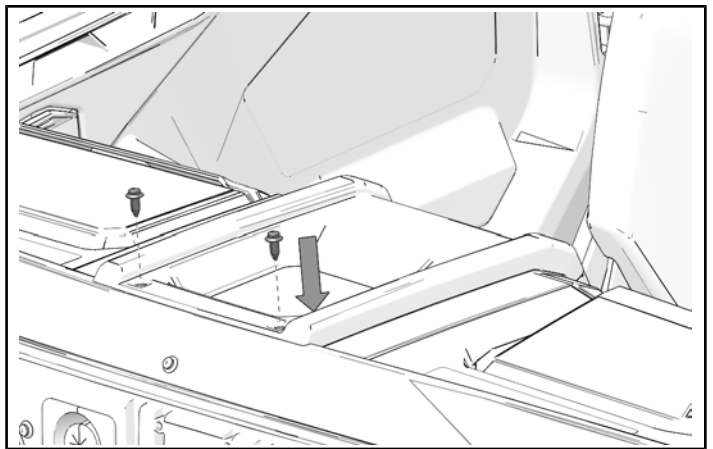


CENTER DASH PANEL INSTALLATION

- Install center panel. Install rear tabs into dash, then lower into position.

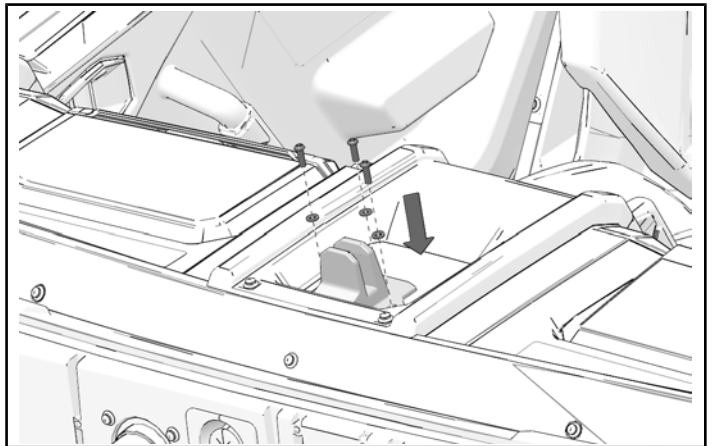


- Install two push-pin rivets.



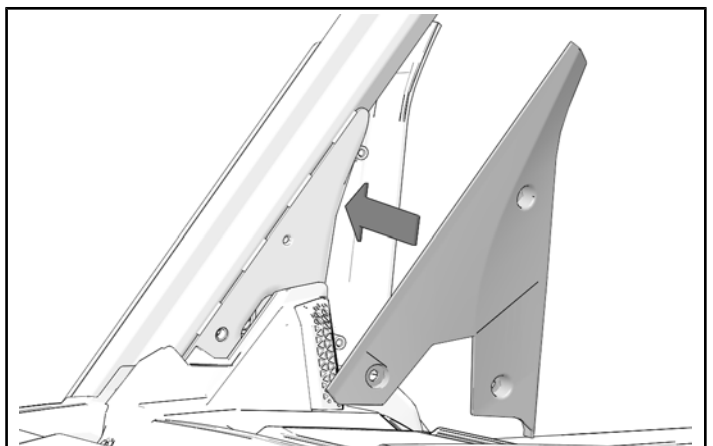
- If vehicle is equipped with tip-out windshield. Install base, three screws, and washers. Torque screws to specification.

TORQUE
Base Screws: 89 in-lbs (10 N·m)



INSTALL LOWER A-PILLAR TRIM

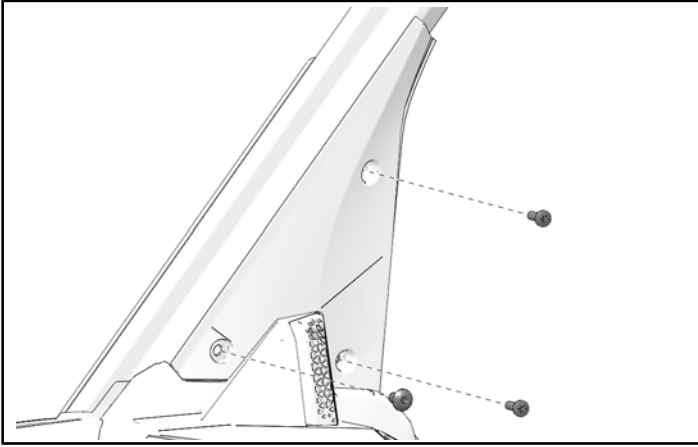
- Put lower A-pillar trim in position at base of A-pillar.



2. Install three screws. Torque to specification.

TORQUE

Lower A-Pillar Trim Screws:
22 in-lbs (2.5 N·m)

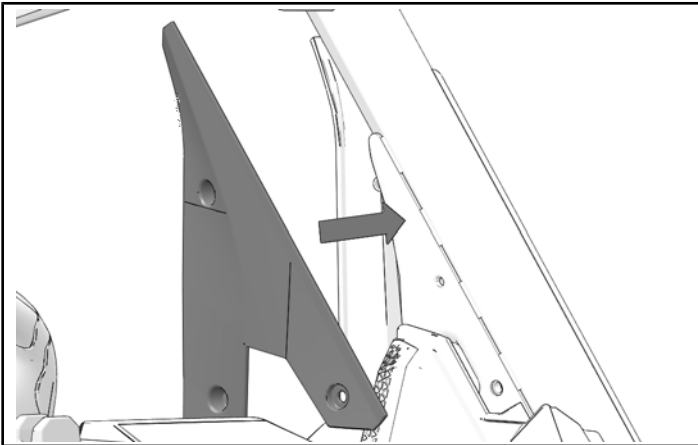


VEHICLES EQUIPPED WITH TIP-OUT WINDSHIELD

NOTICE

Left side shown; right side similar.

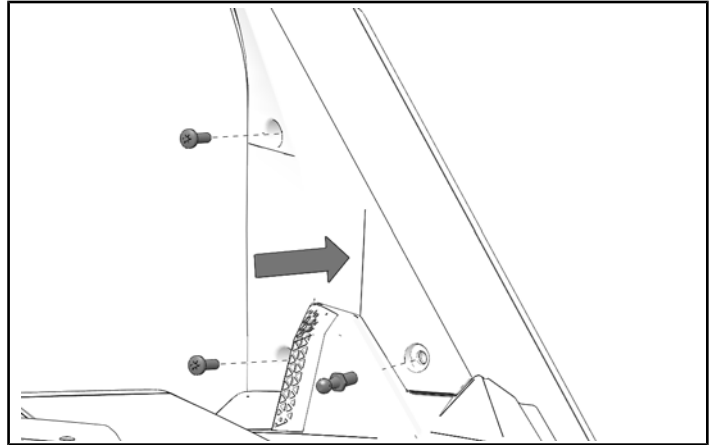
1. Put lower A-pillar trim in position at base of A-pillar.



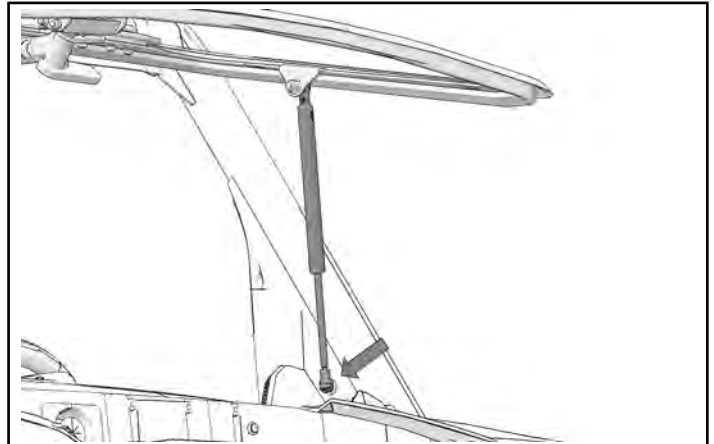
2. Install two screws and ball stud. Torque to specification.

TORQUE

Lower A-Pillar Trim Screws:
22 in-lbs (2.5 N·m)



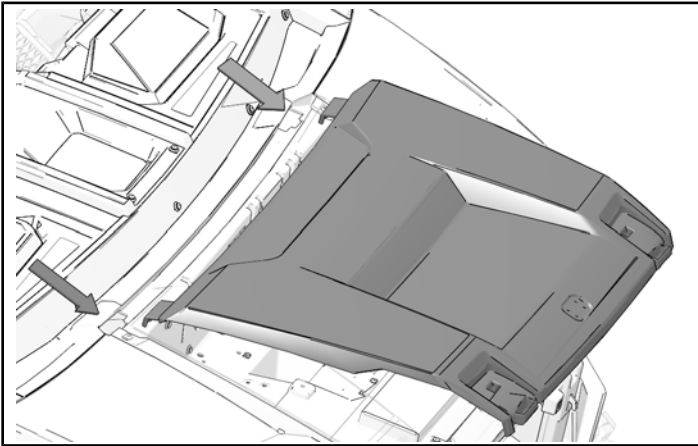
3. Return clip at bottom of gas spring to engaged position. Connect bottom of gas springs.



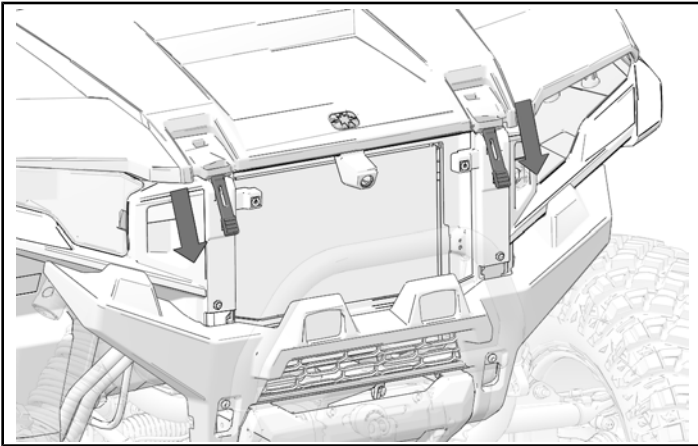
4. Remove windshield support and close tip-out windshield.

HOOD AND GRILL INSTALLATION

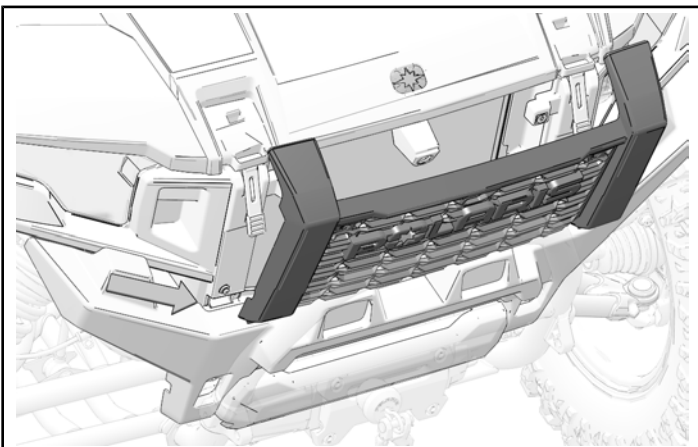
1. Put tabs on hood through openings in underhood liner. Then lower hood into position.



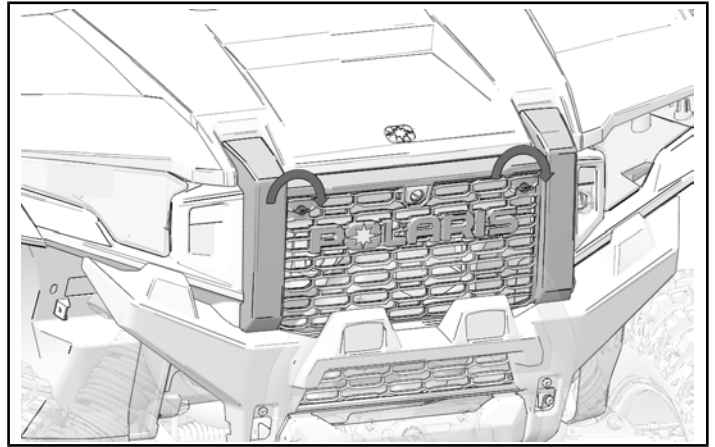
2. Pull rubber straps down over hooks to secure hood.



3. Put tabs on grill through openings in front fascia. Push top of grill into correct position.

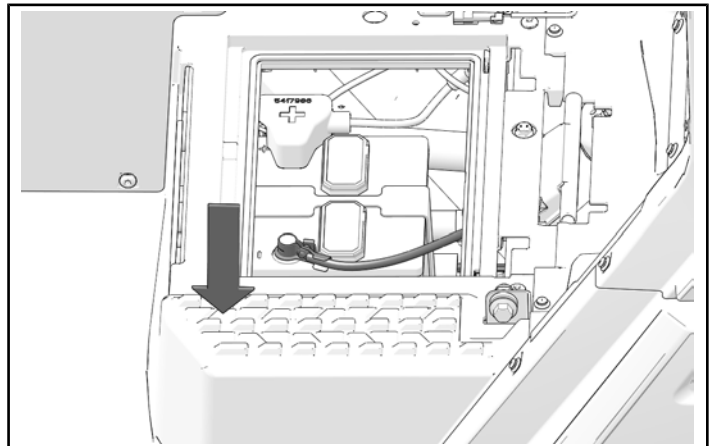


4. Push each stud in and turn one-quarter turn clockwise to attach grill.

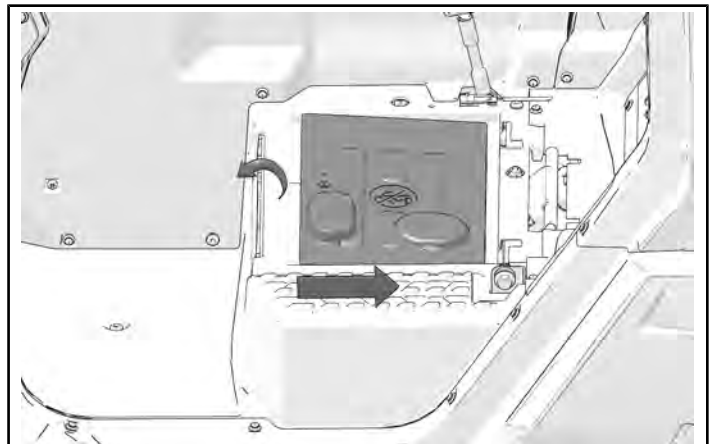


CONNECT BATTERY

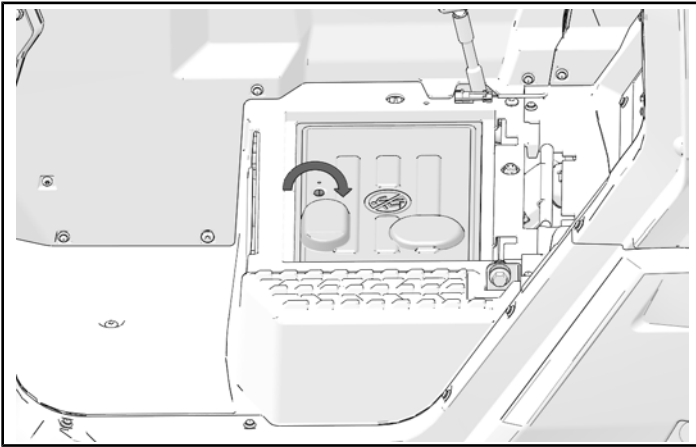
1. Connect negative cable to battery.



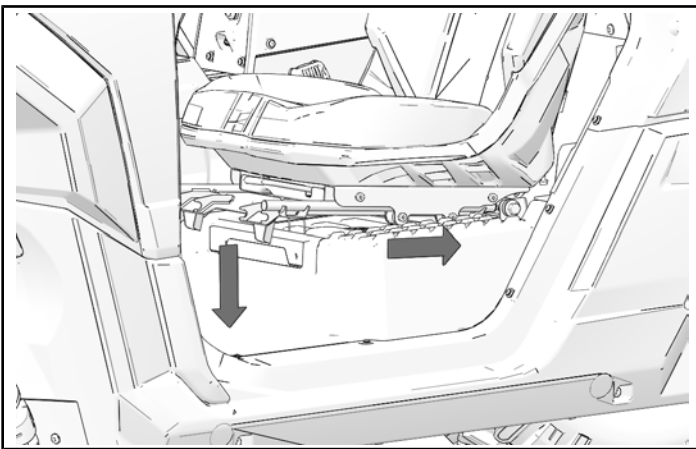
2. Push battery cover rearward and lower into place.



3. Turn screw to close cover.



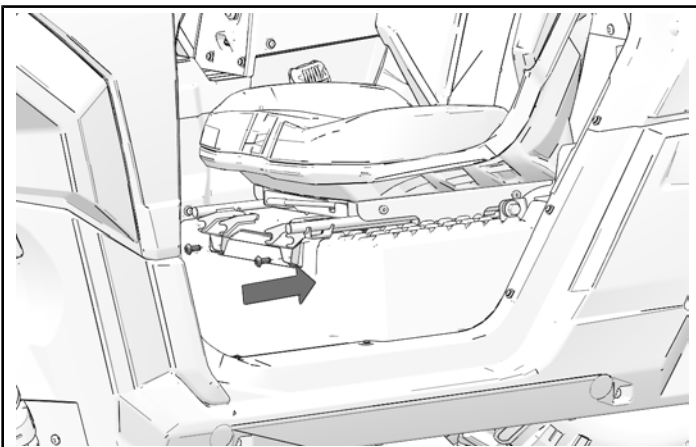
4. Push rearward to engage seat and lower front of seat into place.



5. Install two kept screws at front of seat base. Torque screws to specification.

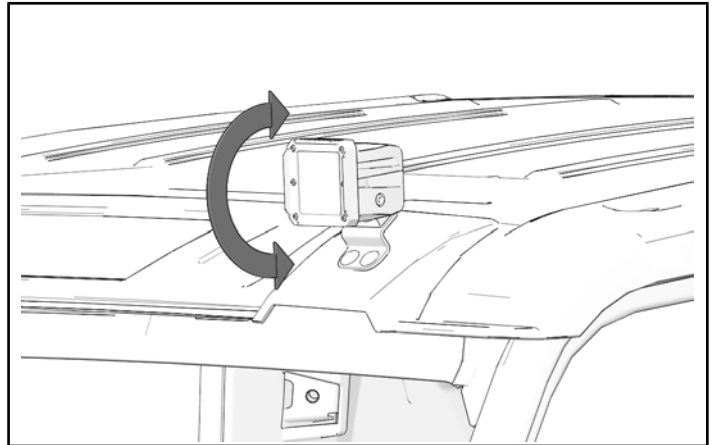
TORQUE

Screws:
13 ft-lbs (18 N·m)

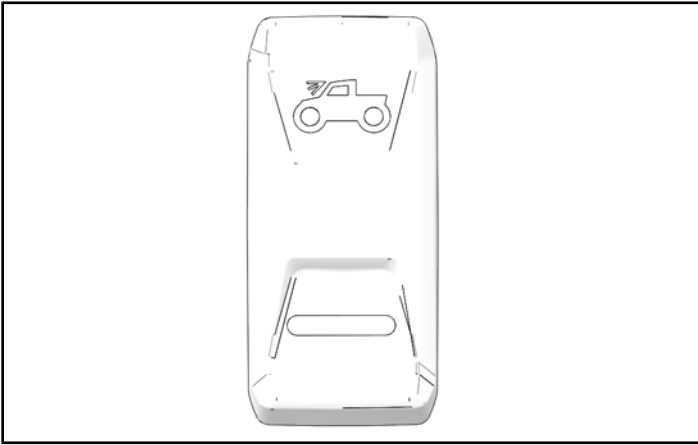


TEST AND ADJUST CUBE LIGHTS

1. Press top of cube light switch to test cube lights.
2. Loosen bracket for each cube light.. Adjust cube light as desired. Tighten screws until fully seated.



OPERATION



- Press top of switch to turn on cube lights.
- Press bottom of switch to turn off cube lights.