

LOCK AND RIDE® SIDE PANELS KIT



P/N 2889819

MISSING OR DAMAGED PARTS

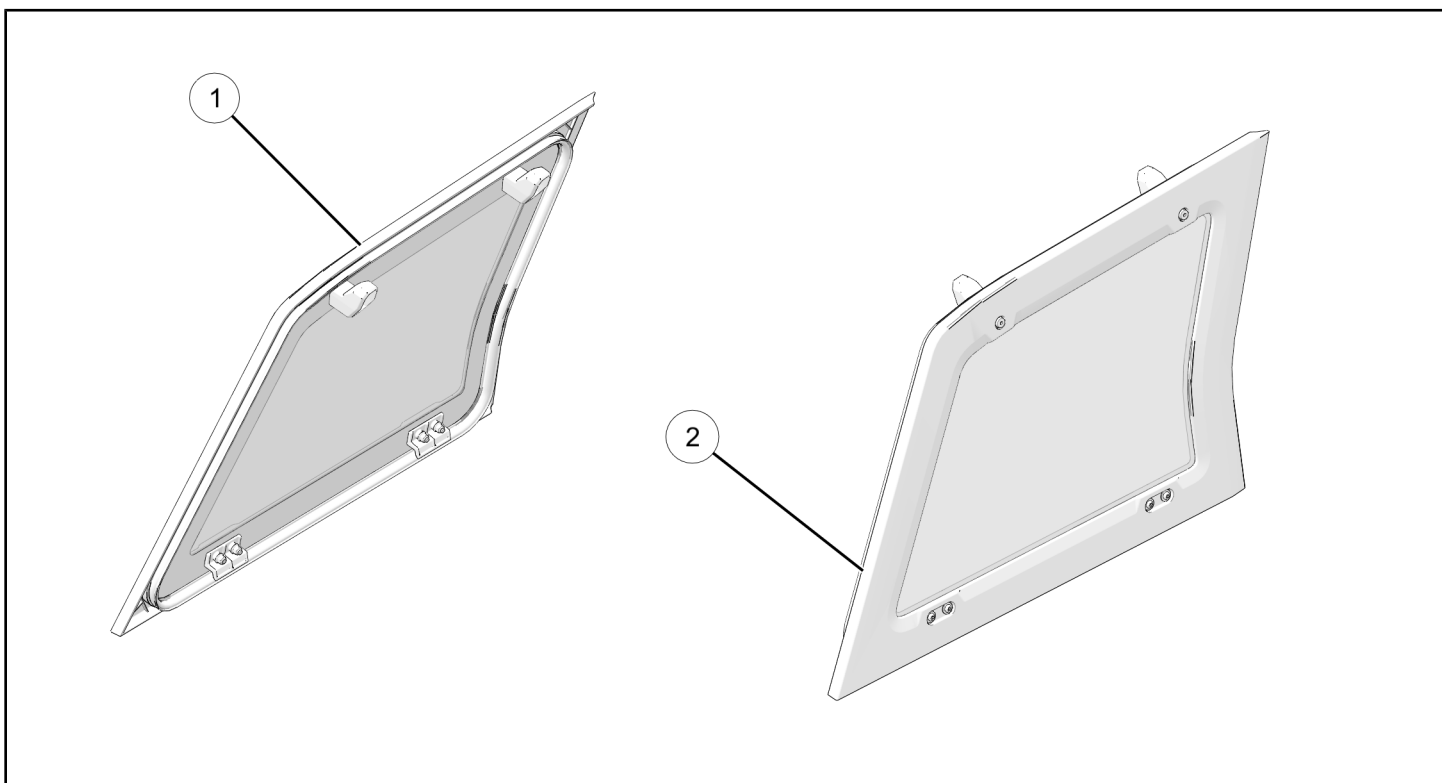
Before beginning assembly, inspect the kit and its component(s) to be sure all parts and tools are accounted for and not damaged. If missing parts or parts are damaged, please contact your Selling Dealer for assistance.

If your accessory was purchased online, please contact POLARIS® customer service at **1-800-POLARIS** (US & Canada only).

APPLICATION

Verify accessory fitment at www.polaris.com.

KIT CONTENTS



REF	QTY	PART DESCRIPTION	P/N AVAILABLE SEPARATELY
1	1	Rear Panel – Left	2637901
2	1	Rear Panel – Right	2637902

TOOLS REQUIRED

None

IMPORTANT

Your Lock and Ride® Side Panels Kit is exclusively designed for your vehicle. Please read the installation instructions thoroughly before beginning. Installation is easier if the vehicle is clean and free of debris. For your safety, and to ensure a satisfactory installation, perform all installation steps correctly in the sequence shown.

INSTALLATION INSTRUCTIONS

VEHICLE PREPARATION

GENERAL

1. Park vehicle on a flat surface.
2. Shift vehicle into PARK.
3. Turn key to OFF position and remove key.

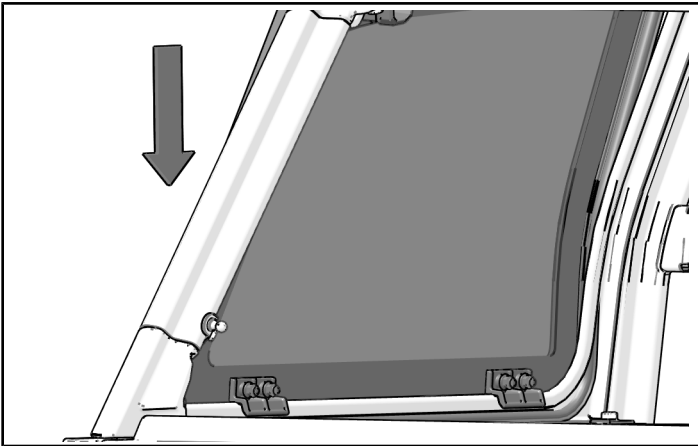
ACCESSORY INSTALLATION

LOCK AND RIDE® WINDOW INSTALLATION

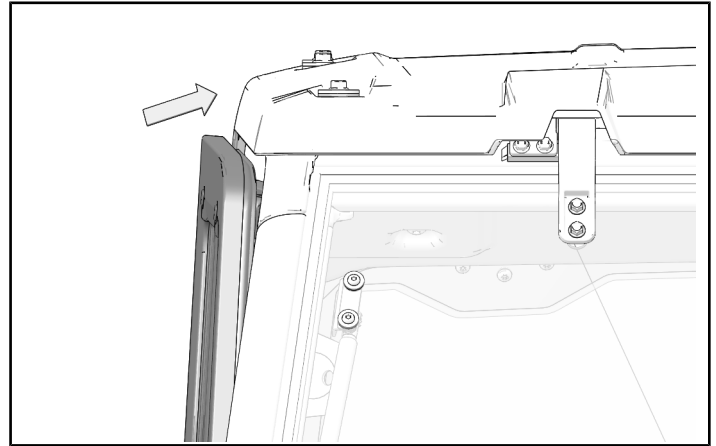
NOTICE

Left side shown; right side similar.

1. Lower window into position. Lower mounting brackets on window install over bottom of window frame.



2. Tilt top of window into window frame.



3. Turn handles upward to lock window into place.

