

50" LIGHTBAR KIT



P/N 2889567; 2889591

MISSING OR DAMAGED PARTS

Before beginning assembly, inspect the kit and its component(s) to be sure all parts and tools are accounted for and not damaged. If missing parts or parts are damaged, please contact your Selling Dealer for assistance.

If your accessory was purchased online, please contact POLARIS® customer service at **1-800-POLARIS** (US & Canada only).

APPLICATION

Verify accessory fitment at www.polaris.com.

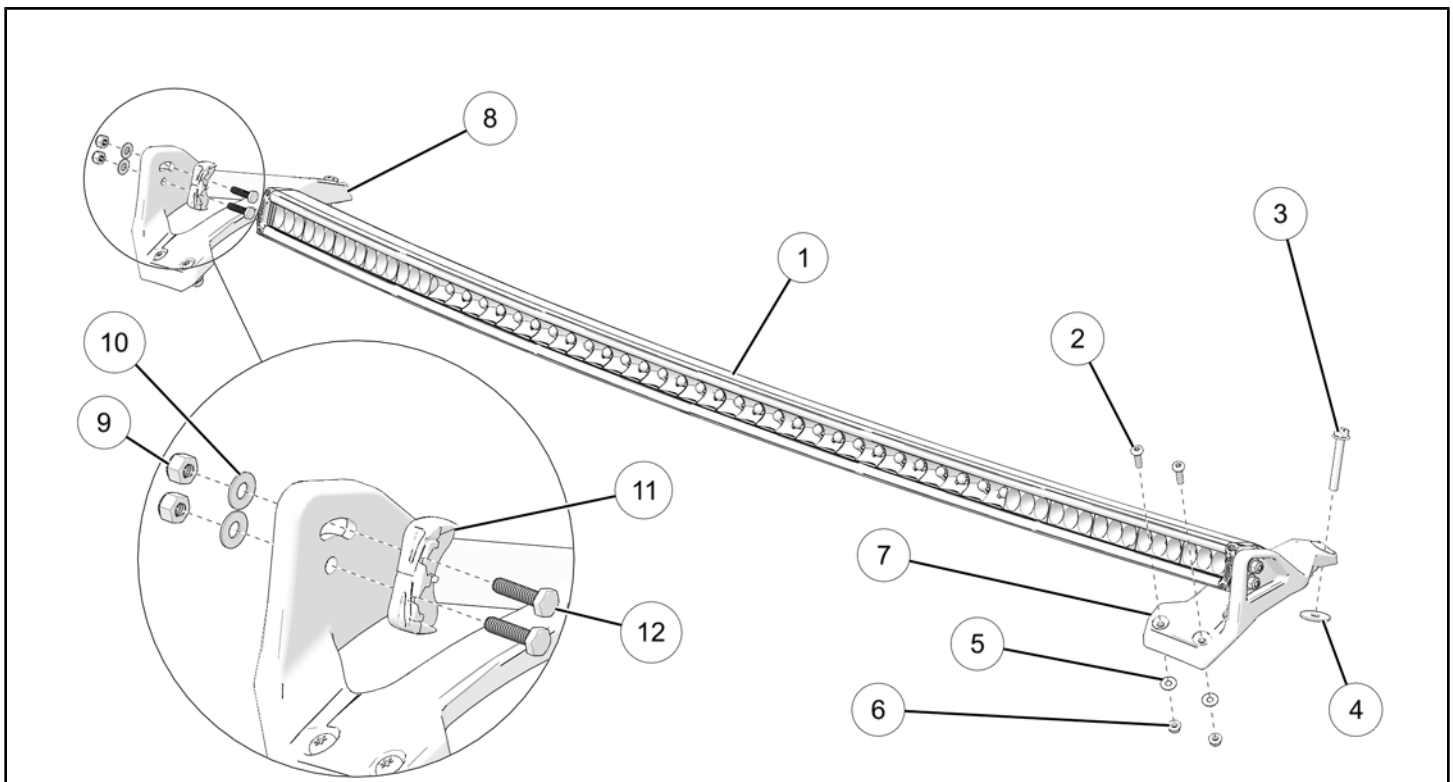
REQUIRED SOLD SEPARATELY

Only parts for installation of the 50" Lightbar Kit are included. For complete installation, the following additional kit is required (sold separately):

- *Lightbar Harness Kit*, P/N 2889591

KIT CONTENTS

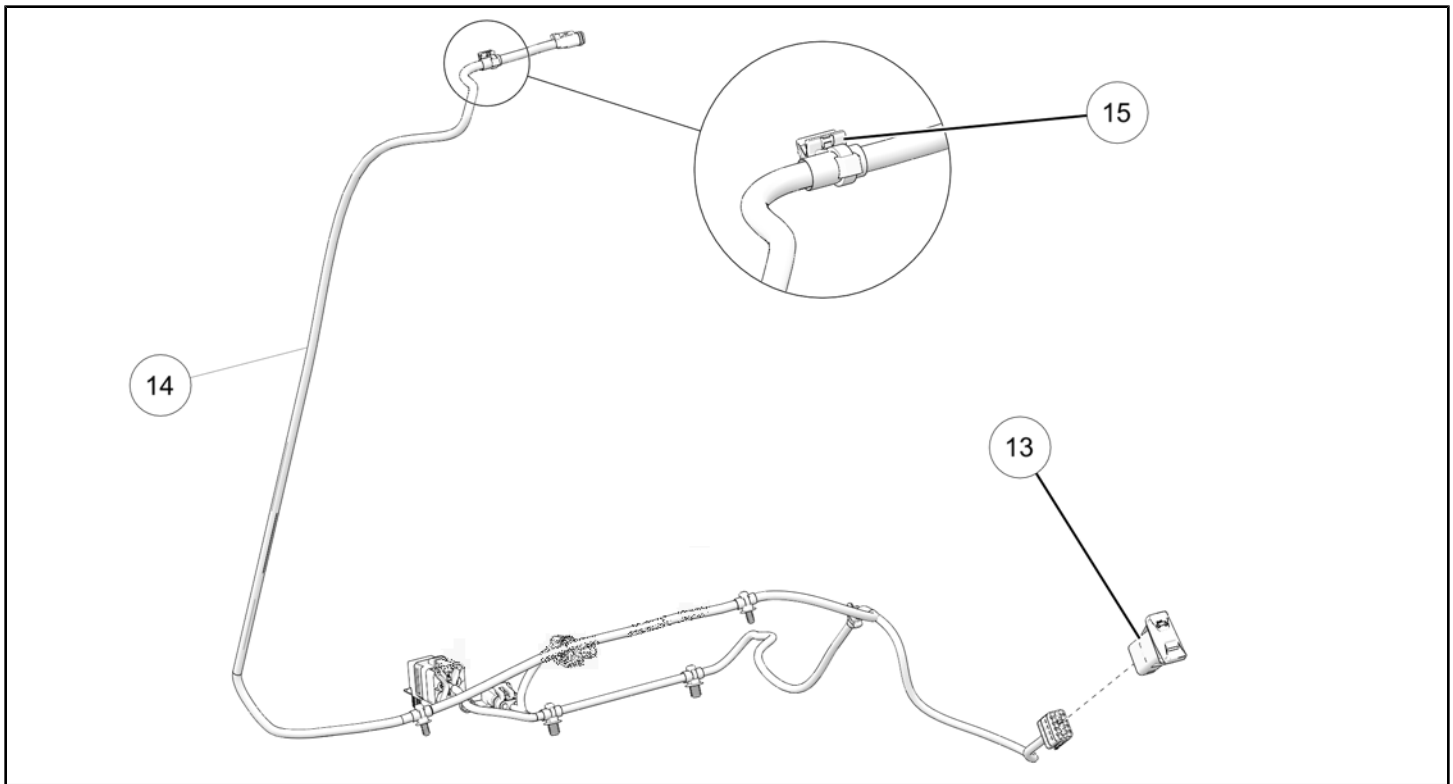
50" LIGHTBAR KIT P/N 2889567



REF	QTY	PART DESCRIPTION	P/N AVAILABLE SEPARATELY	AVAILABLE SERVICE KIT
1	1	50" Lightbar	n/a	n/a
2	4	Screw – Torx® Pan Head M6 x 1.0 x 25 mm	7518535	2209695
3	2	Screw – Hex Flange Head M8 x 1.25 x 55 mm	7521332-55	2209695

REF	QTY	PART DESCRIPTION	P/N AVAILABLE SEPARATELY	AVAILABLE SERVICE KIT
4	2	Washer – 8.4 x 30.0 x 2.0 mm	7556219	2209695
5	4	Washer – 6.4 x 16.0 x 0.8 mm	7557051	2209695
6	4	Nut – Hex Flange M6 x 1.0 mm	7710495	2209695
7	1	Mount, Lightbar, Left	5639334	n/a
8	1	Mount, Lightbar, Right	5639335	n/a
9	4	Nut, Nyloc 1/4 - 20	n/a	n/a
10	4	Flat Washer 1/4	n/a	n/a
11	2	Mounting Bracket	n/a	n/a
12	4	Screw, Hex 1/4 - 20 x 1.0 in	n/a	n/a

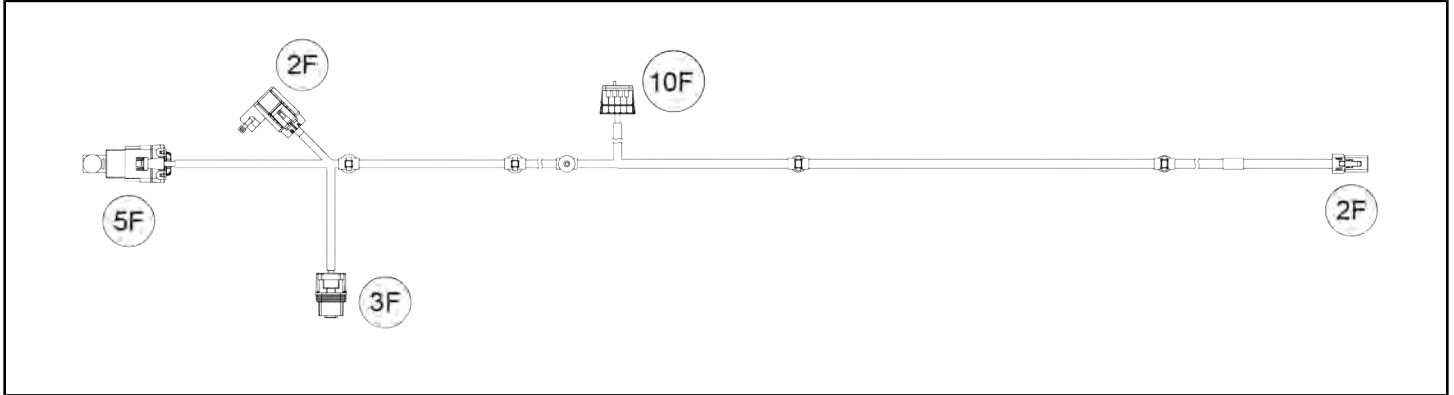
LIGHTBAR HARNESS KIT P/N 2889591



REF	QTY	PART DESCRIPTION	P/N AVAILABLE SEPARATELY
13	1	Switch, Lightbar	4080801-21
14	1	Lightbar Harness	n/a
15	1	Edge Clip	7082400

HARNESS DETAIL

LIGHTBAR HARNESS ⑭



REF	PART DESCRIPTION	CONNECTS TO
2F	Lightbar Connector	50" Lightbar ①
2F	Fuse Connector	Fuse
3F	Polaris Pulse® Connector	Polaris Pulse® Bar
5F	Relay Connector	Relay
10F	Switch Connector	Lightbar Switch ⑧

Example: 16F = 16 pin, Female / 16M = 16 pin, Male (Male terminal fits inside female terminal)

TOOLS REQUIRED

- Safety Glasses
- Drill
- Drill Bit:
 - 1/8 in (3 mm)
 - 1/4 in (6 mm)
- File, Round (or equivalent)
- Hole Saw:
 - 1 in (25 mm)
- Socket Set, Metric
- Socket Set, Torx® Bit
- Torque Wrench
- Utility Knife/Cutting Tool

IMPORTANT

Your 50" Lightbar Kit is exclusively designed for your vehicle. Please read the installation instructions thoroughly before beginning. Installation is easier if the vehicle is clean and free of debris. For your safety, and to ensure a satisfactory installation, perform all installation steps correctly in the sequence shown.

INSTALLATION INSTRUCTIONS

VEHICLE PREPARATION

GENERAL

1. Park vehicle on a flat surface.

2. Shift vehicle into PARK.

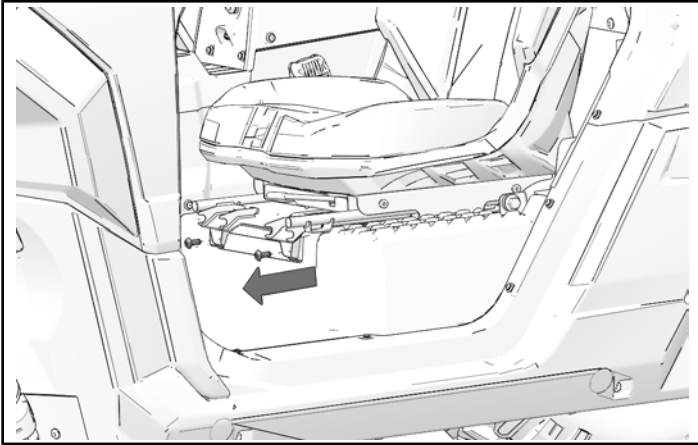
3. Turn key to OFF position and remove key.

BATTERY DISCONNECTION

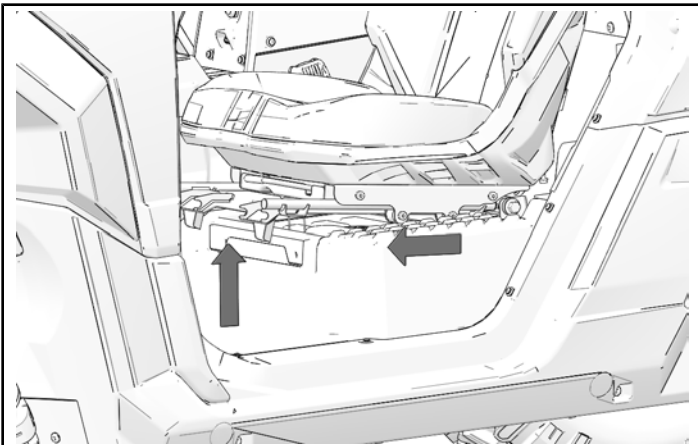
NOTICE

Doors hidden for clarity.

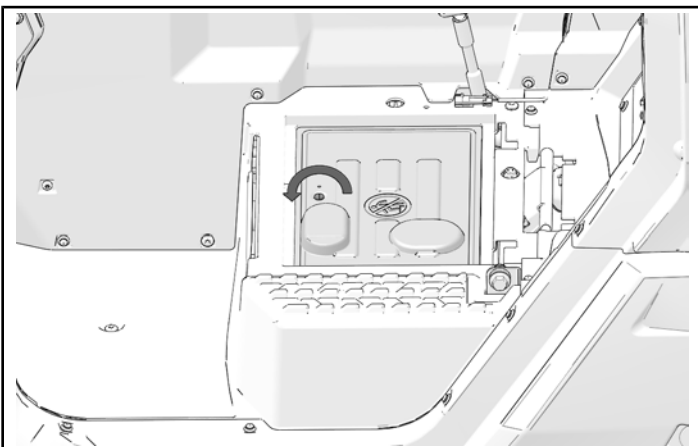
1. Remove and keep two screws from front of driver seat base.



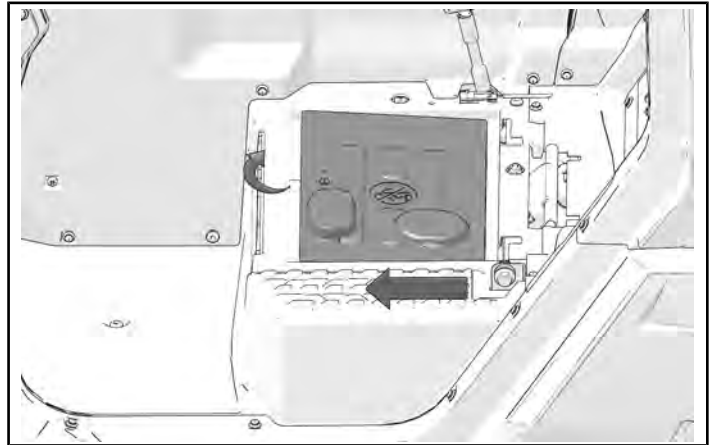
2. Lift front of seat and pull forward to remove seat.



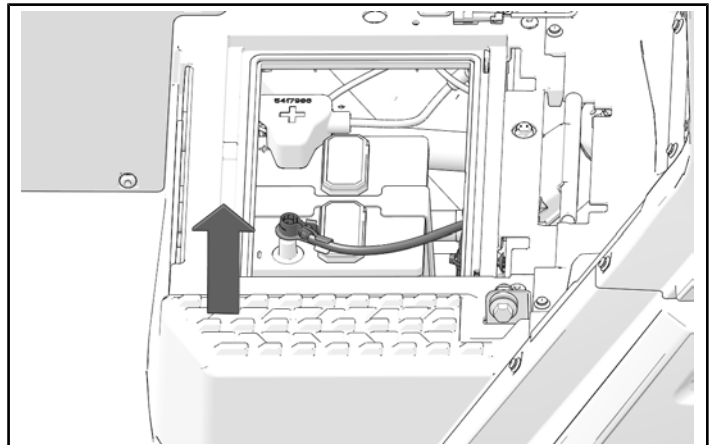
3. Turn screw to open cover.



4. Lift cover and slide forward to remove.

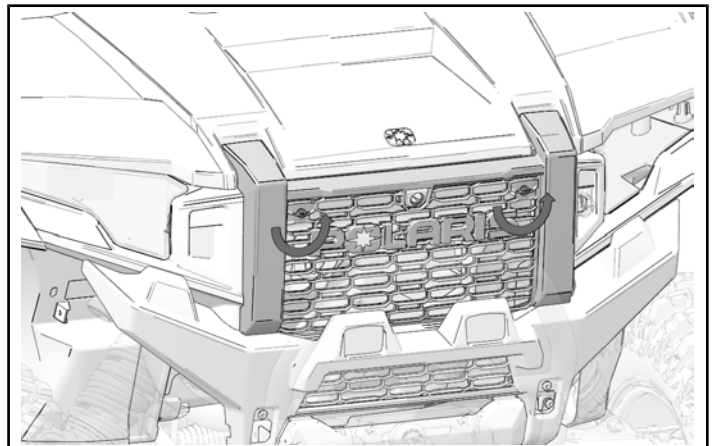


5. Disconnect negative (-) cable from battery.

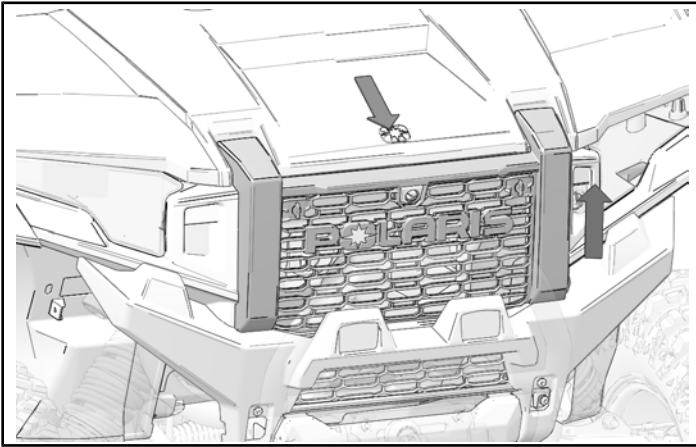


HOOD AND GRILL REMOVAL

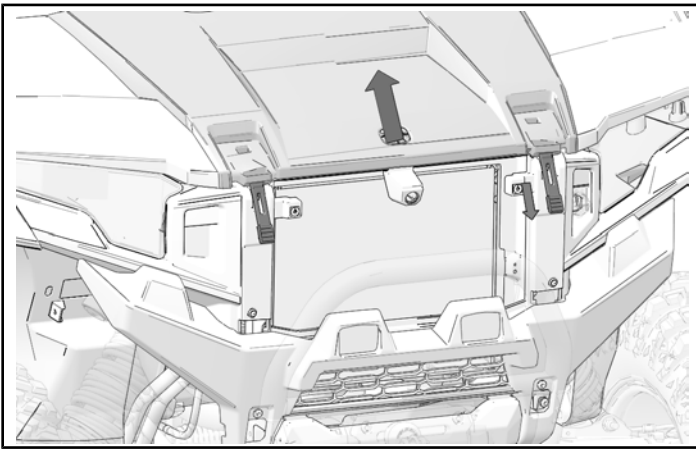
1. Turn each stud one-quarter turn to release grill.



2. Pull top of grill forward and then lift up to remove grill.



3. Pull rubber straps off hooks to release hood. Lift hood to remove.



REMOVE LOWER A PILLAR TRIM

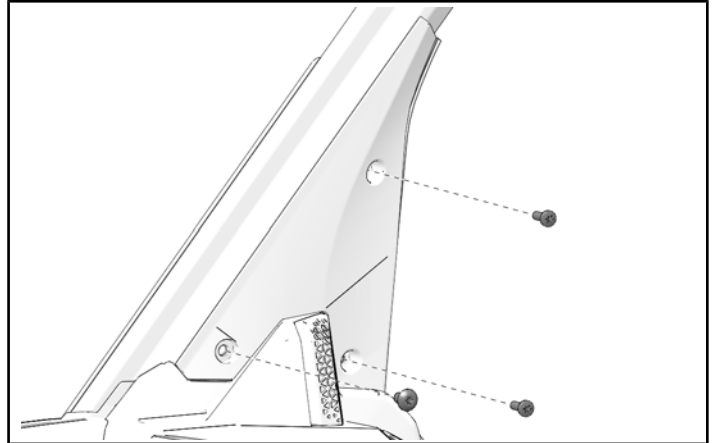
NOTICE

If vehicle is equipped with poly windshield, removal of lower mounting hardware may make removal of lower A-pillar trim easier.

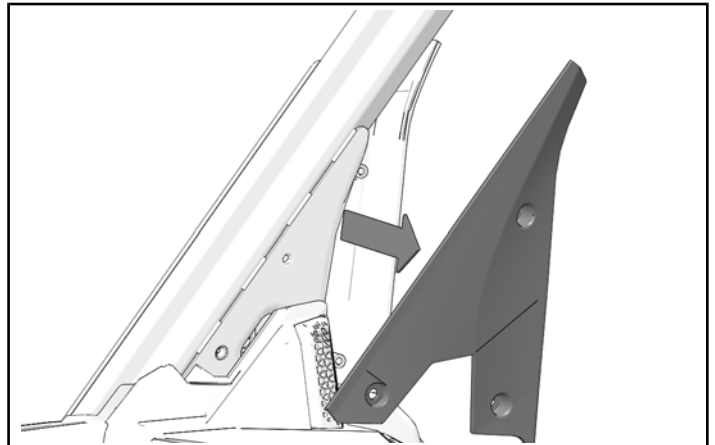
1. Remove three screws from lower A-pillar trim panel.

NOTICE

Right side shown; left side similar.



2. Pull A-pillar trim piece away from vehicle.



VEHICLES EQUIPPED WITH TIP-OUT WINDSHIELD

NOTICE

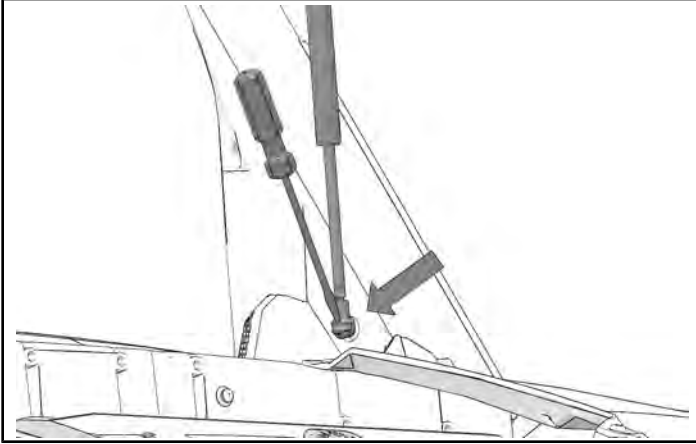
Left side shown; Right side similar.

1. Open tip-out windshield. Install a support to hold weight of windshield.

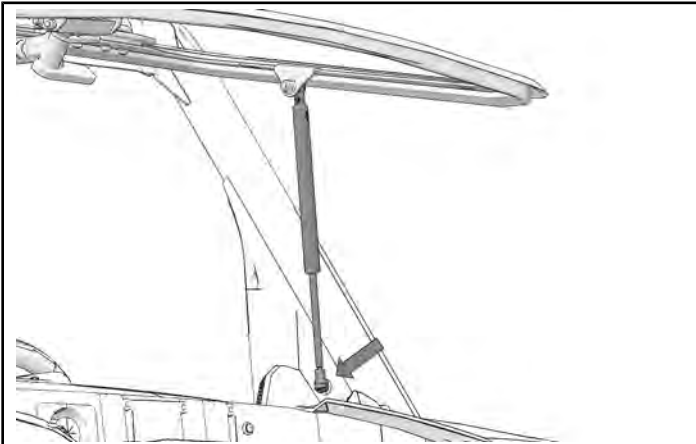
2. Use appropriate tool to release clip at lower end of gas spring.

CAUTION

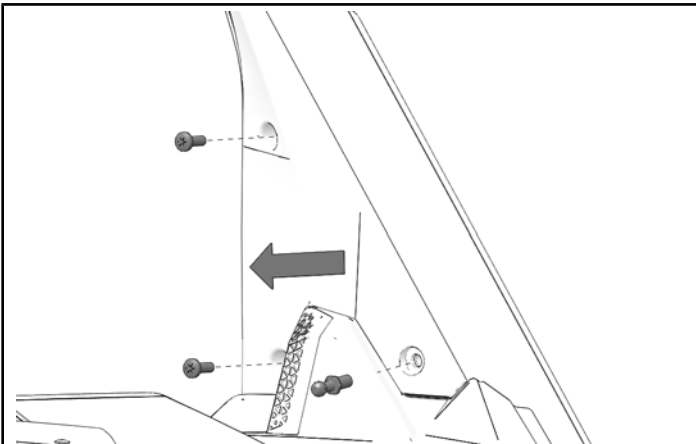
Use care when releasing the clip. Clip may spring away from fitting, and may strike objects or become lost.



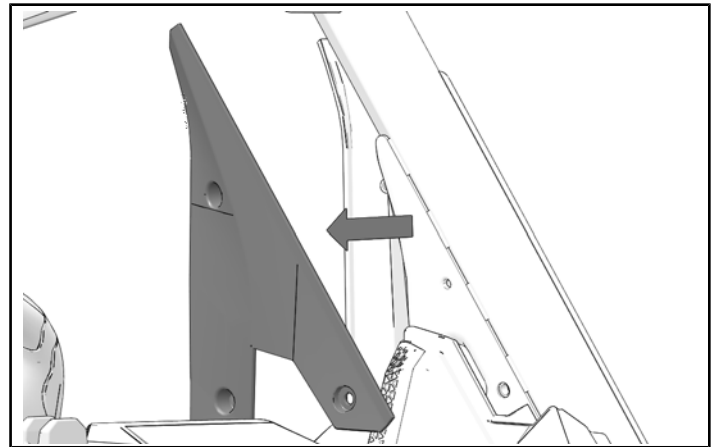
3. Disconnect bottom of gas springs.



4. Remove two screws and ball stud from lower A-pillar trim panel.



5. Pull A-pillar trim piece away from vehicle.



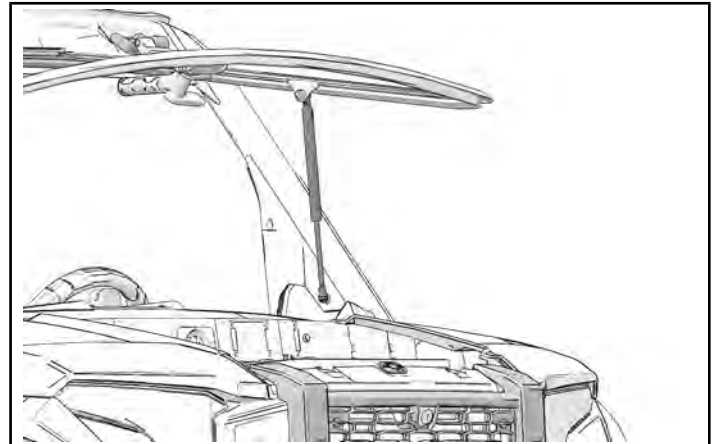
CENTER DASH PANEL REMOVAL

VEHICLES WITH TIP-OUT WINDSHIELD

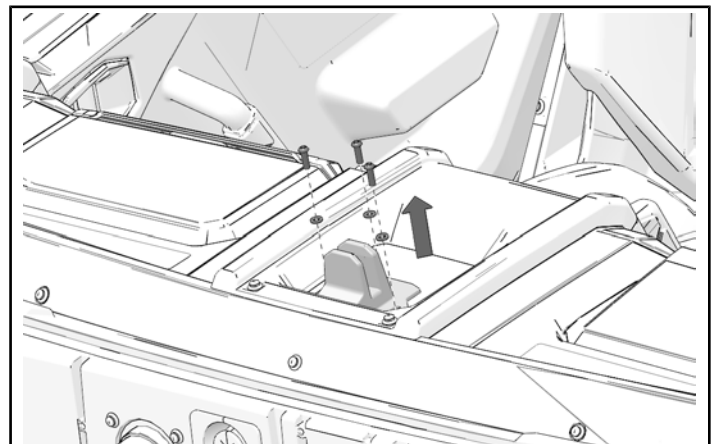
NOTICE

For vehicles without tip-out windshield, proceed to Panel Removal.

1. Open tip-out windshield.

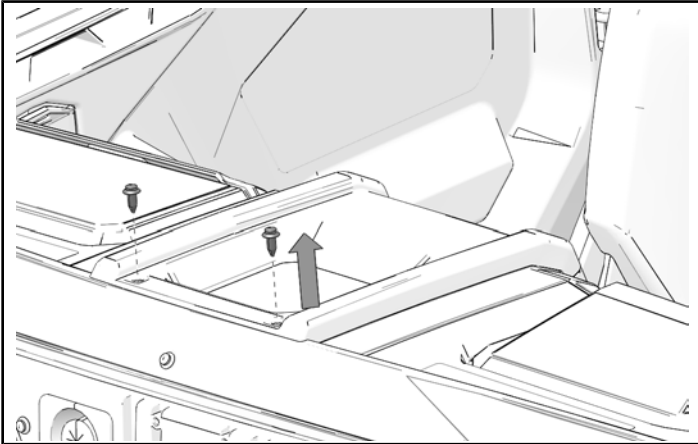


2. Remove and keep three screws and washers. Remove and keep windshield base.

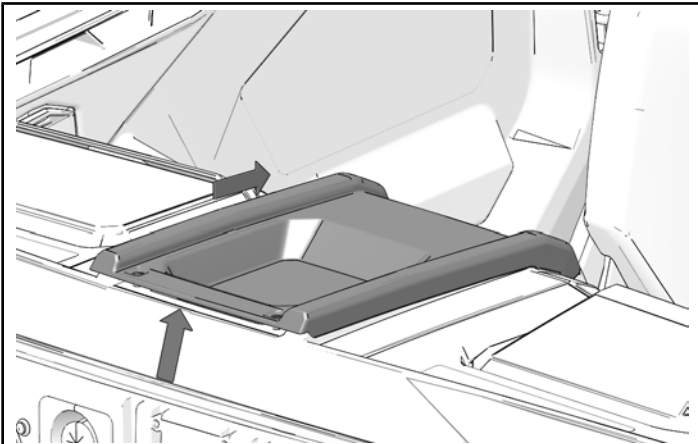


PANEL REMOVAL

1. Remove and keep two push-pin rivets from center dash panel.



2. Remove and keep panel by lifting front edge and moving backward.



HEAD UNIT REMOVAL

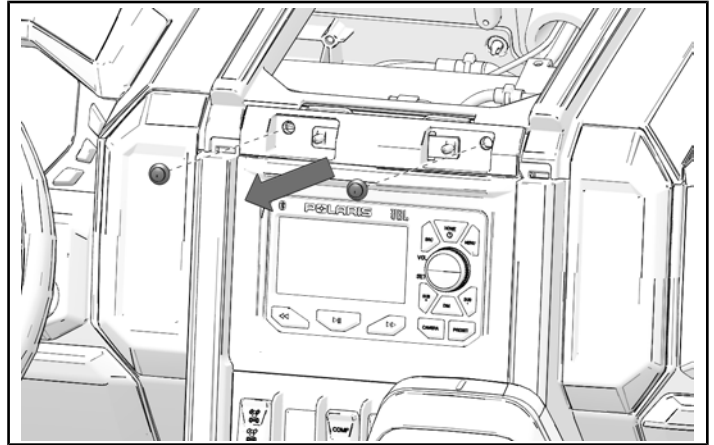
NOTICE

Vehicles without audio system will have a storage bin in place of head unit. Storage bin is removed in a similar manner to head unit.

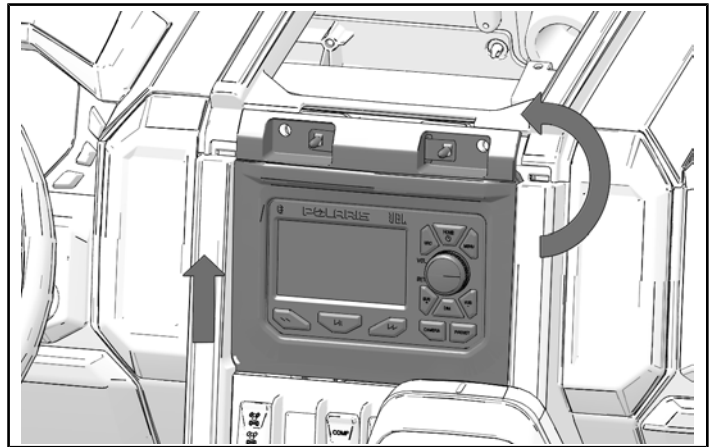
NOTICE

Base audio head unit removal shown. Ride Command® display removal similar.

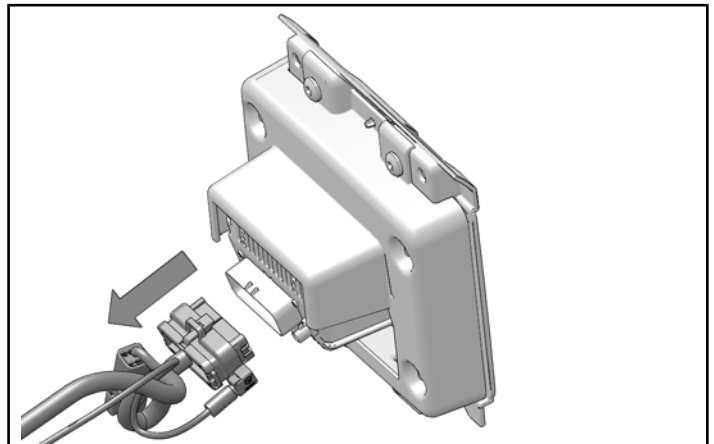
1. Remove and keep two push-pin rivets from top of the head unit.



2. Pull top of head unit away from dash and lift head unit up to remove from dash.



3. Disconnect wiring harness and antenna from head unit. Remove and keep head unit.

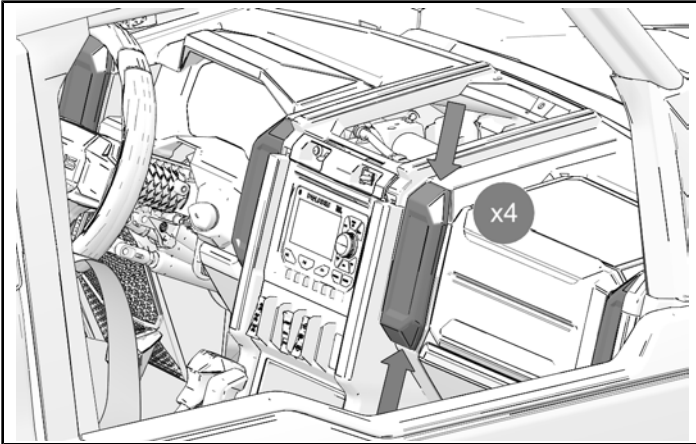


REMOVE DASH COVER

1. Remove four dash vents/covers. Pry simultaneously at top and bottom of vent/cover to remove.

IMPORTANT

Make sure white clips on back of vents/covers do not become lost.



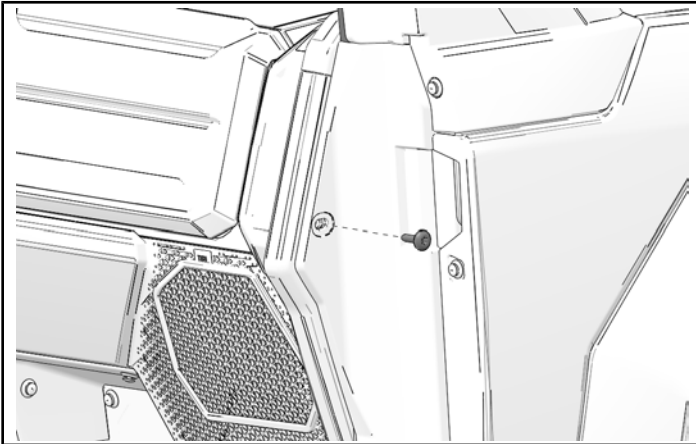
2. Remove one screw at each side of dash cover.

NOTICE

Right side shown; left side similar.

TIP

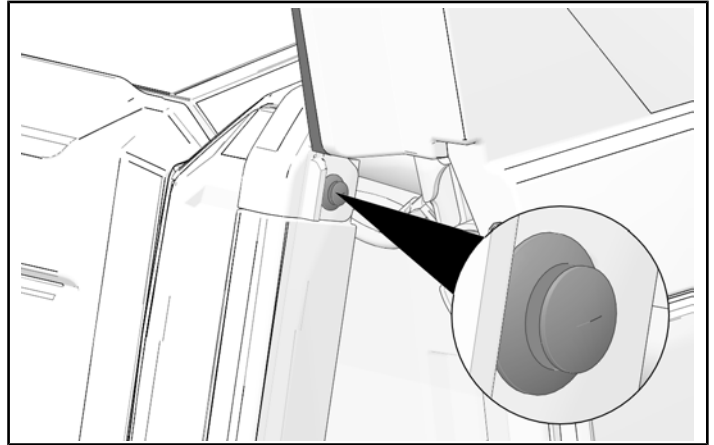
Doors will need to be fully open to access and remove these screws. Removal of these screws allows cover to be pulled open in next step to remove push-pin rivet.



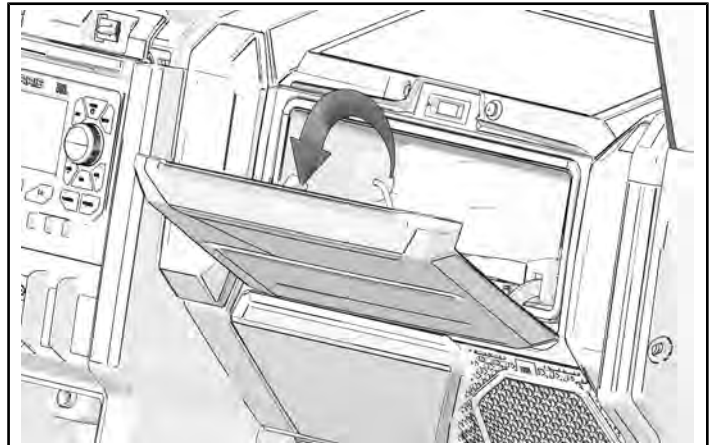
3. Carefully pull plastic cover away from lower A-pillar area and remove one push-pin rivet from side of dash cover.

NOTICE

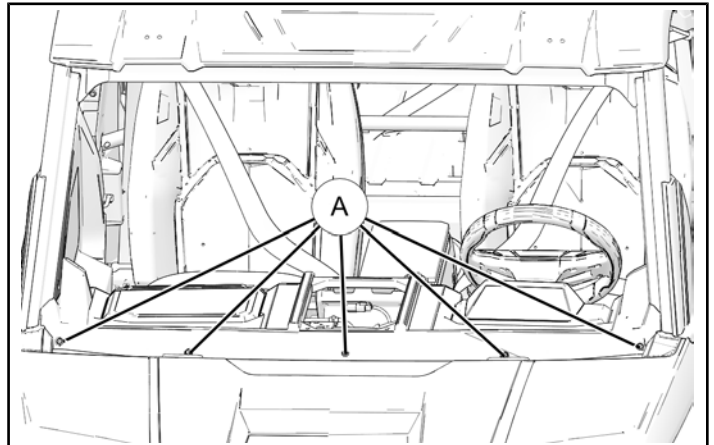
A-pillar trim hidden for clarity.



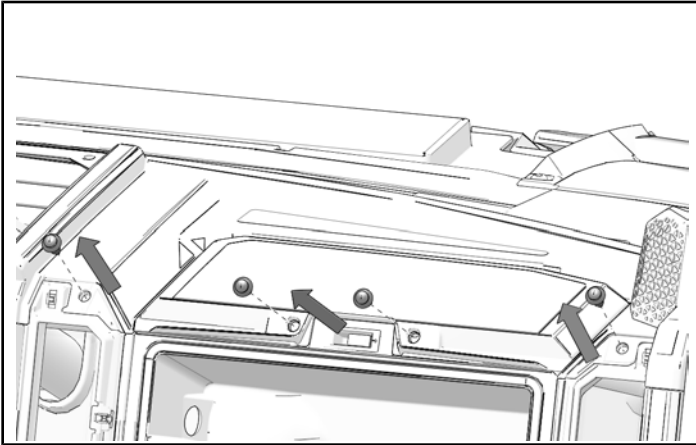
4. Open glove box.



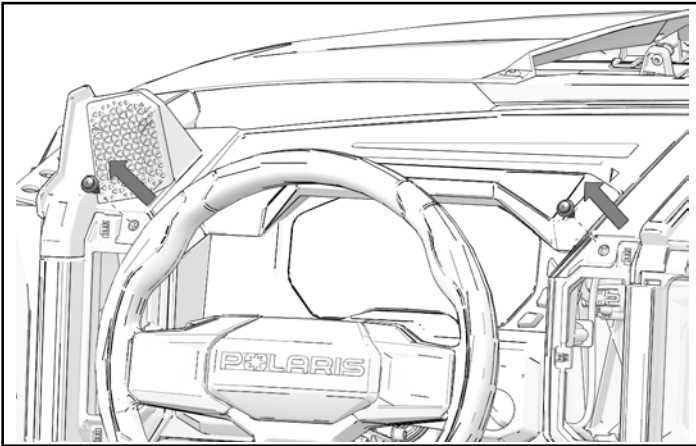
5. Remove and keep five screws (A) and washers at front of dash cover.



6. Remove four push-pin rivets from passenger side of dash cover.



7. Remove two push-pin rivets from drivers side of dash cover.



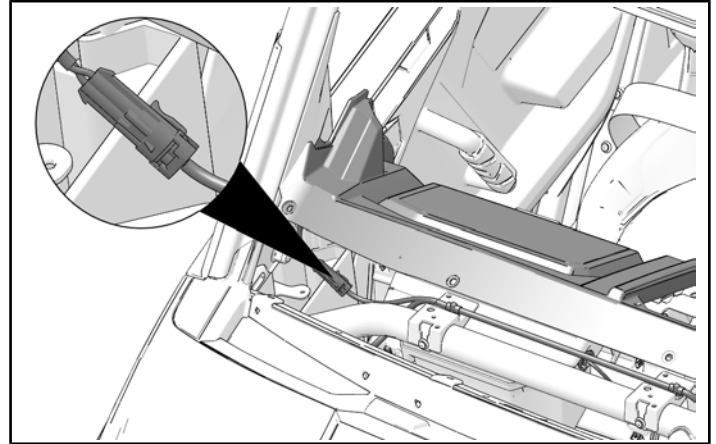
8. Lift up and forward to remove dash cover.

TIP

Lift up on front center of dash to disengage two radio retention tabs.



9. If vehicle is equipped with upper tweeters, make sure to unplug tweeters when removing dash cover.

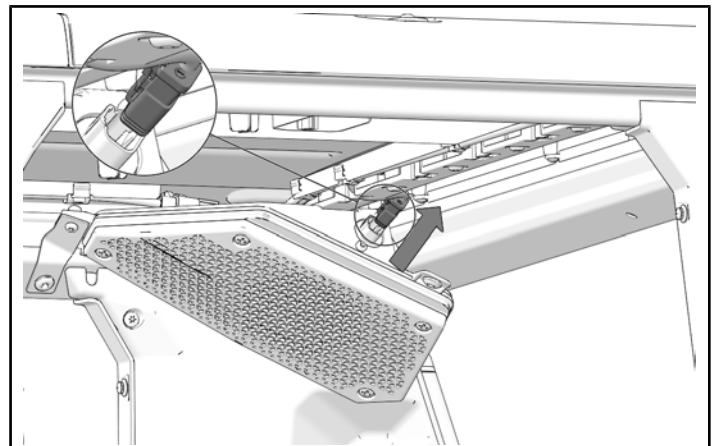


REAR SPEAKER REMOVAL (2 PASSENGER ONLY, IF EQUIPPED)

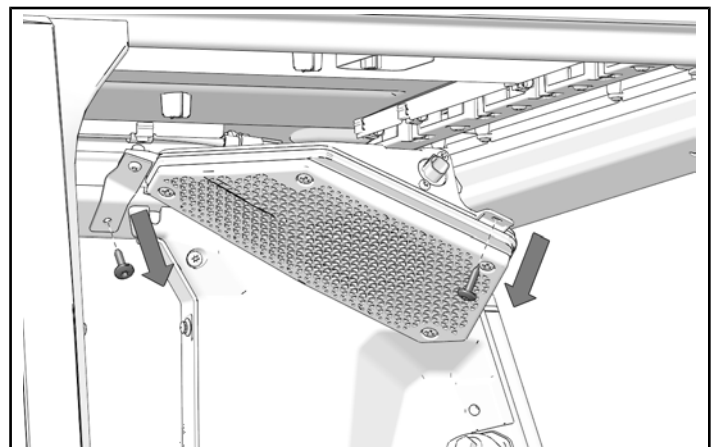
NOTICE

Right side shown; left side similar.

1. Disconnect wiring harness from the rear speaker.

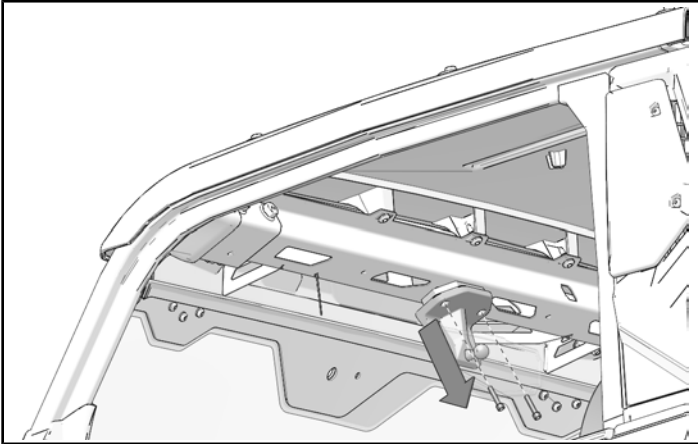


2. Remove and keep two screws. Remove the speaker.

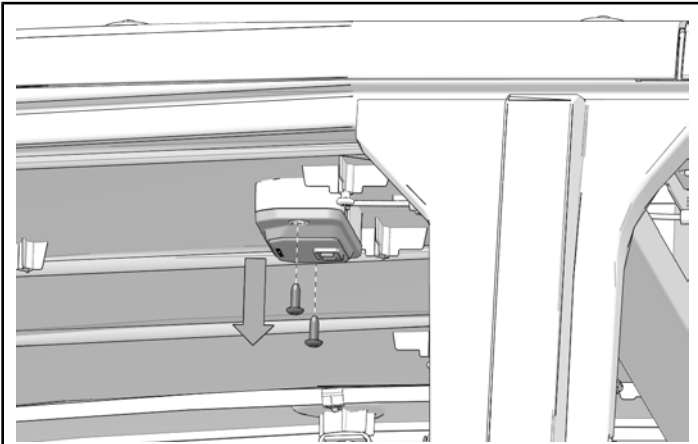


FRONT ROOF LINER REMOVAL

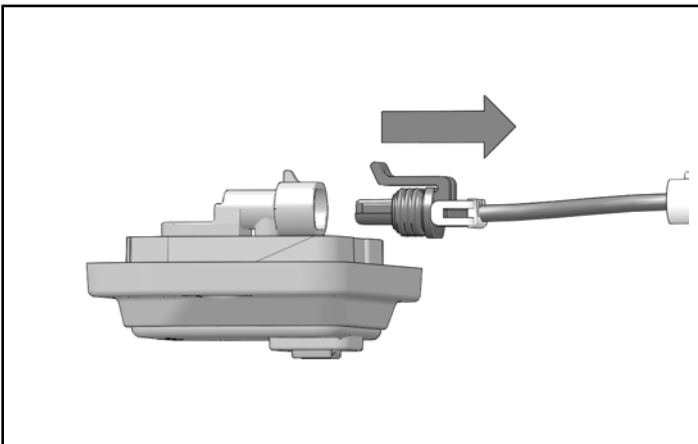
1. Remove and save two screws and rearview mirror assembly (if equipped).



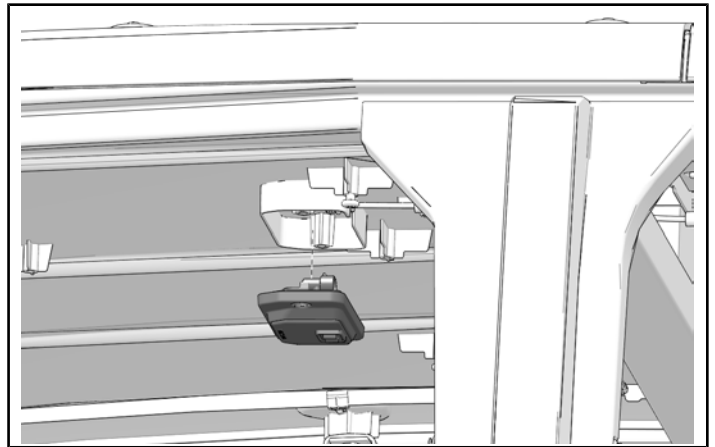
2. Remove and keep two screws to uninstall dome light.



3. Disconnect dome light from wiring harness.



4. Remove and keep dome light.



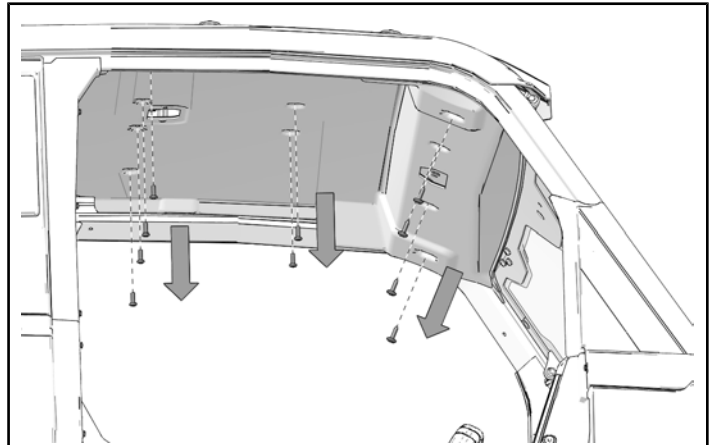
5. Remove and keep six screws from top of roof liner and four screws from front of roof liner.

NOTICE

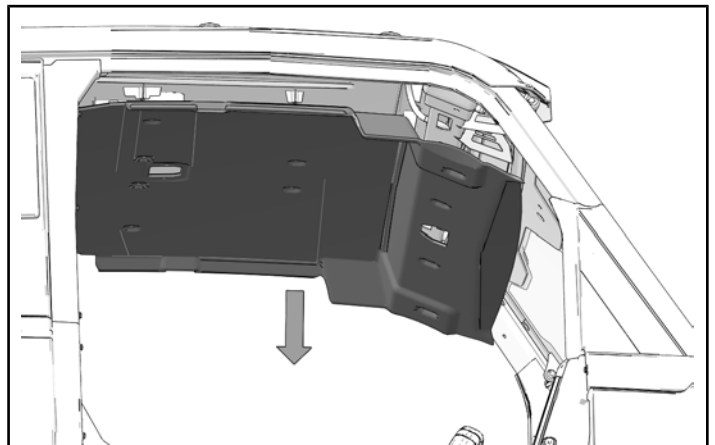
Vehicles that are not equipped with rearview mirror will have a fifth screw at front of roof liner.

NOTICE

Vehicles equipped with 2-passenger cab will have three additional screws near rear of roof liner.

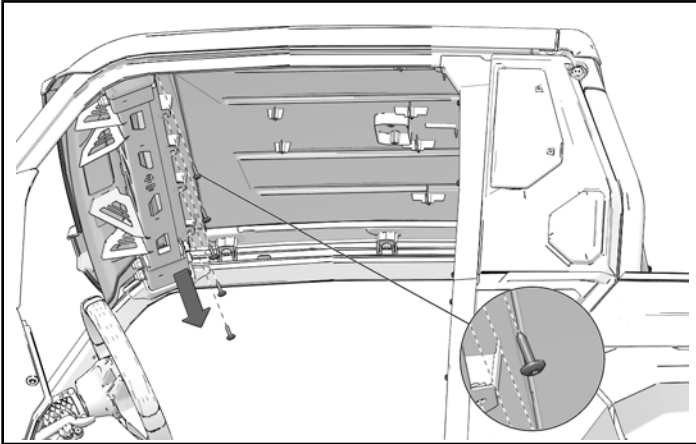


6. Remove and keep front roof liner.



REMOVE FRONT ROOF SCREWS

1. Remove and keep five screws from front underside of roof.



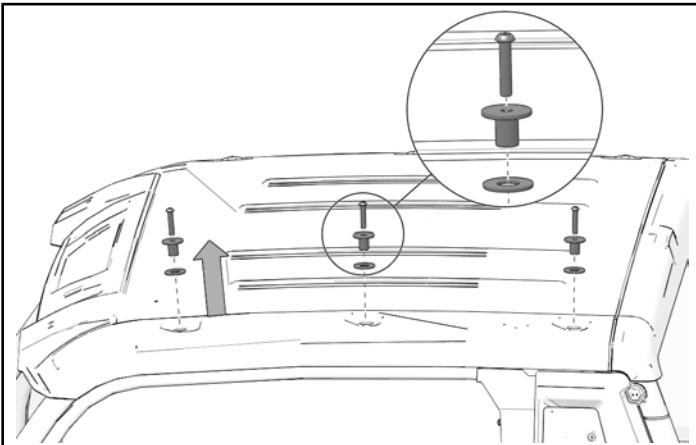
2. Remove and keep three front screws, spacers, and washers from each side of roof.

NOTICE

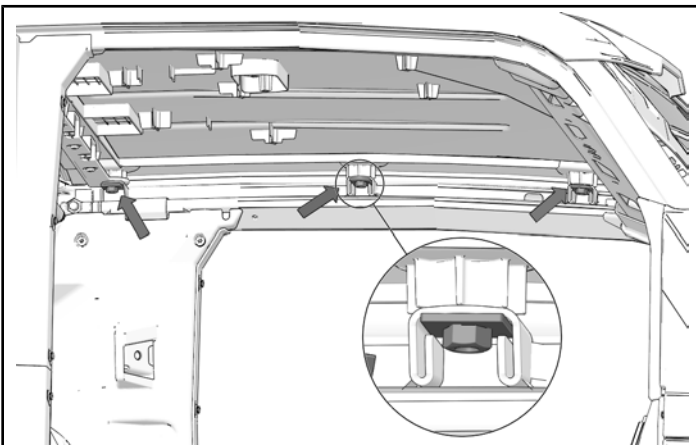
2 passenger vehicle shown; other models similar.

NOTICE

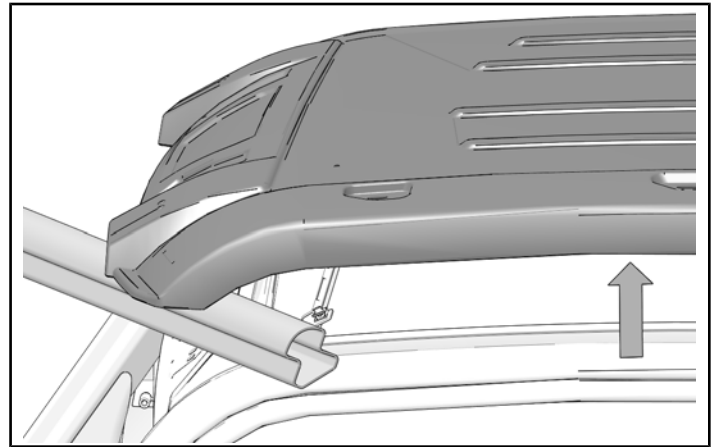
Left side shown; right side similar.



3. Remove and keep three weld nuts from each side of roof underside.



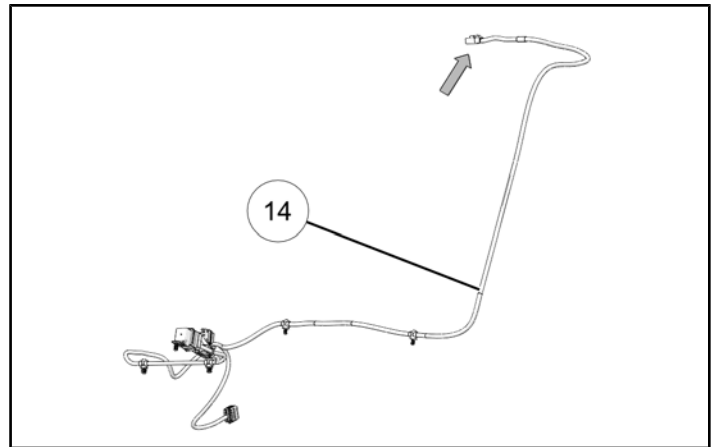
4. Use bar or other appropriate object to prop up corner of roof.



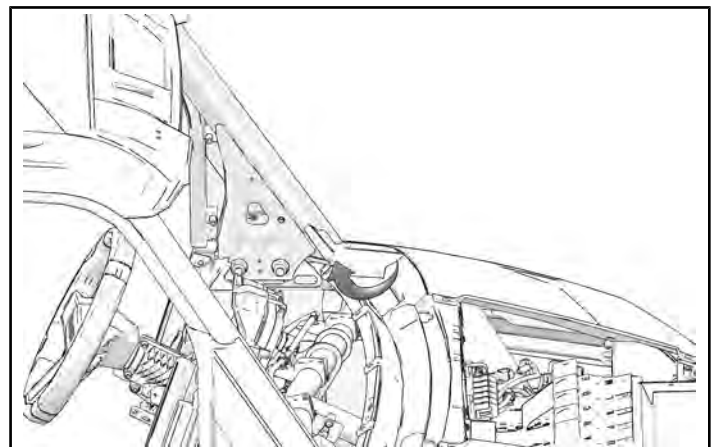
ACCESSORY INSTALLATION

INSTALL HARNESS AND SWITCH

1. Locate end of harness (14) shown.



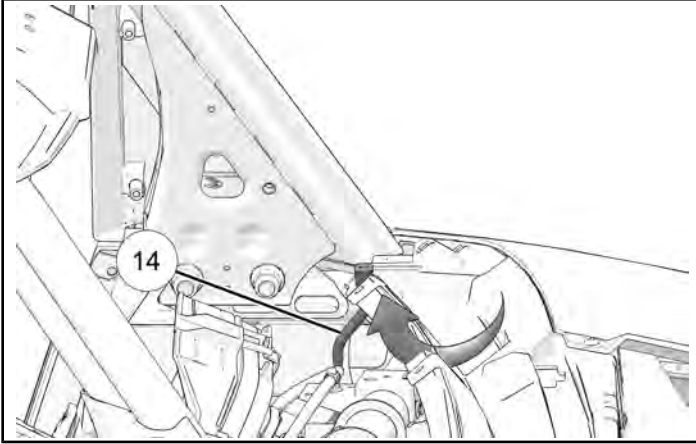
2. Locate opening in ROPS at base of left A-pillar tube.



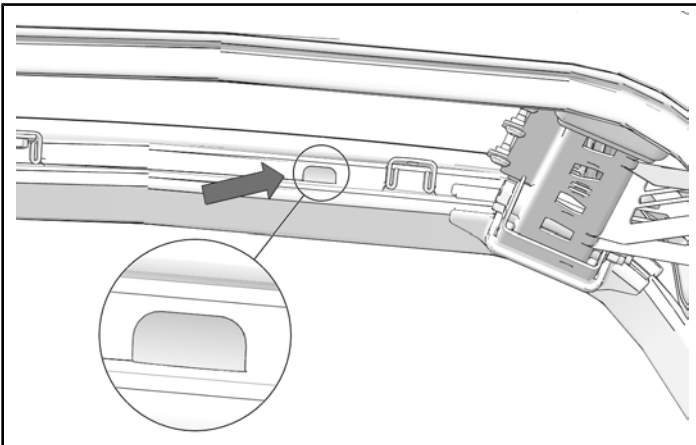
3. Feed end of harness ⑭ shown up into opening in ROPS A-pillar.

TIP

If vehicle is equipped with full poly windshield, remove upper windshield mounting hardware to avoid interference between harness and screw inside A-pillar tube.



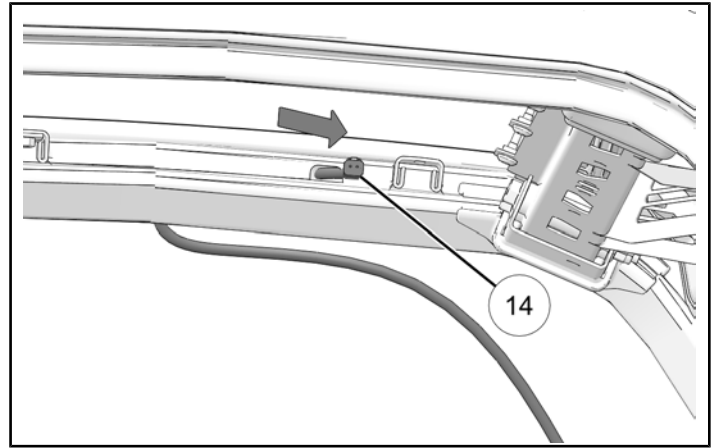
4. Feed wiring harness through ROPS A-pillar while watching for end to appear in opening above drivers window area.



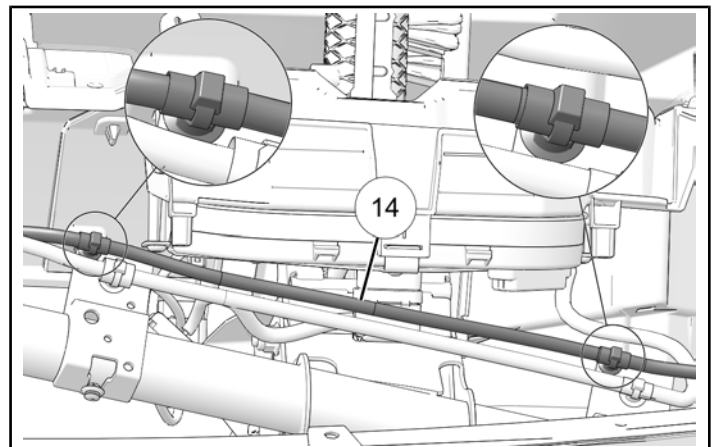
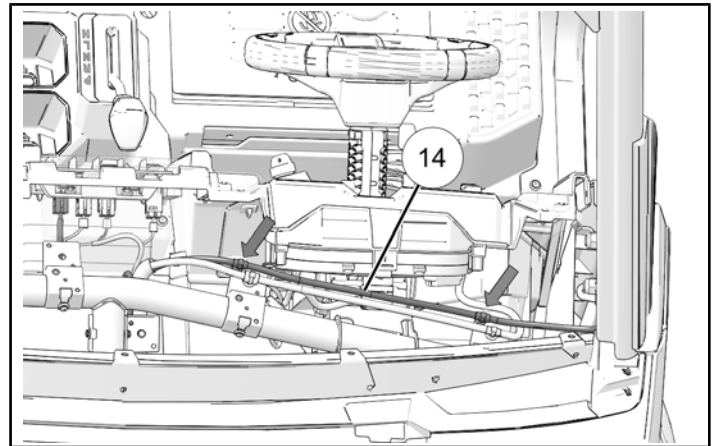
5. Pull end of harness ⑭ through opening in ROPS.

TIP

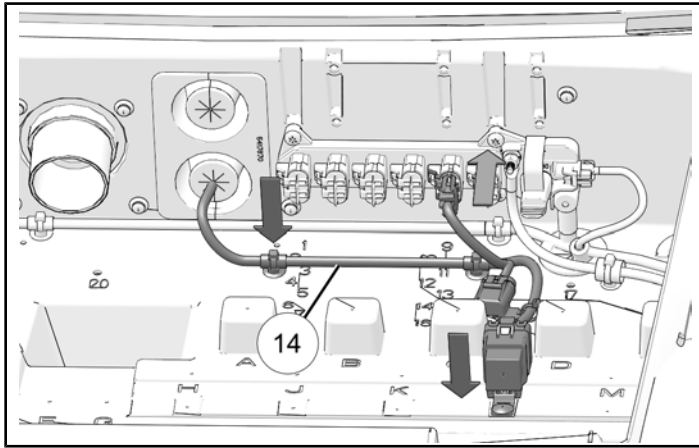
Use a pick or hook tool to help pull end of harness through opening.



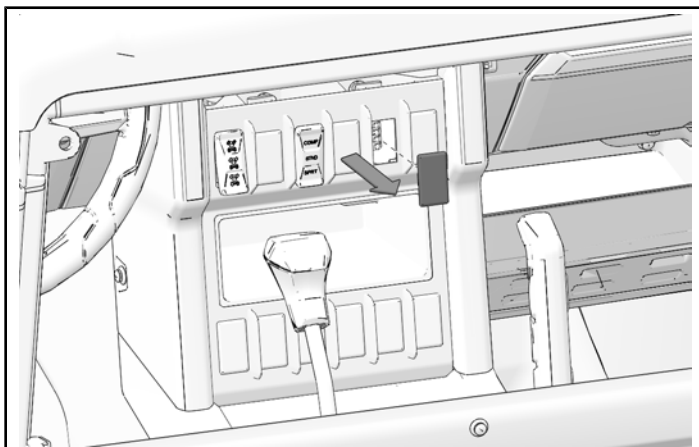
6. Pull harness through A-pillar until connectors at dashboard end line up with positions shown. Secure harness ⑭ to frame with push-darts.



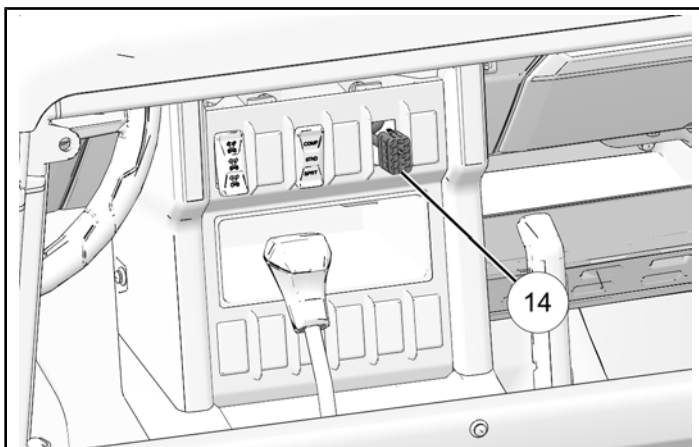
7. Pull end of harness ⑭ containing fuse block, relay, and Pulse® connector through grommet to hood area. Push harness push-darts into holes at locations 3 and 11. Install push-dart for relay into hole at position L. Connect harness to Polaris Pulse® bar.



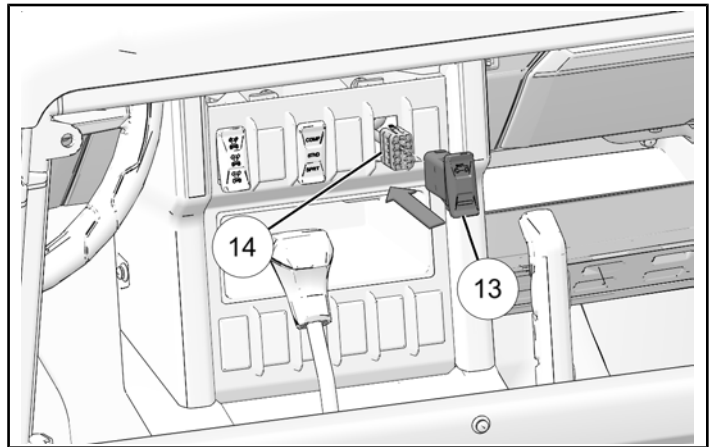
8. Remove switch cover from appropriate opening in dash.



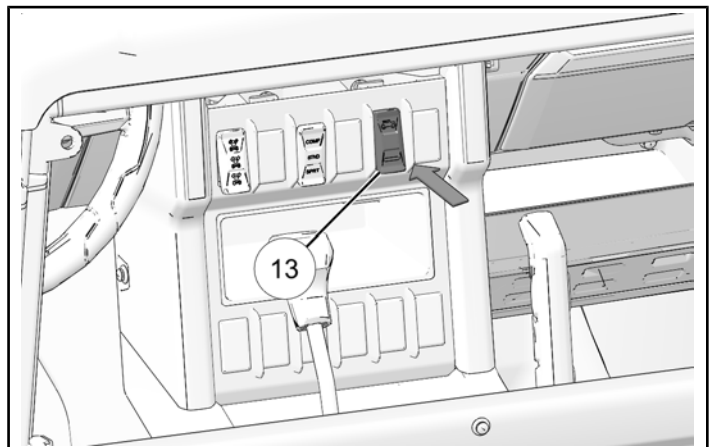
9. Pull harness ⑭ through opening in dash.



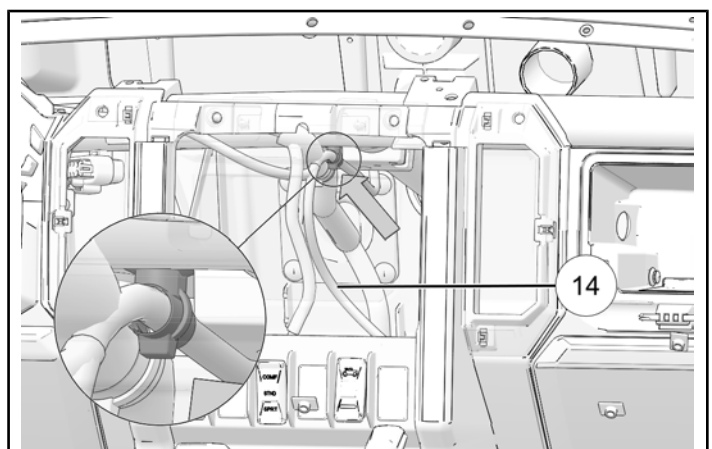
10. Connect switch ⑬ to harness ⑭.



11. Push switch ⑬ into opening until it seats with an audible click.



12. Clip harness to mounting point behind head unit opening as shown.



PREPARE ROOF FOR LIGHTBAR MOUNTING

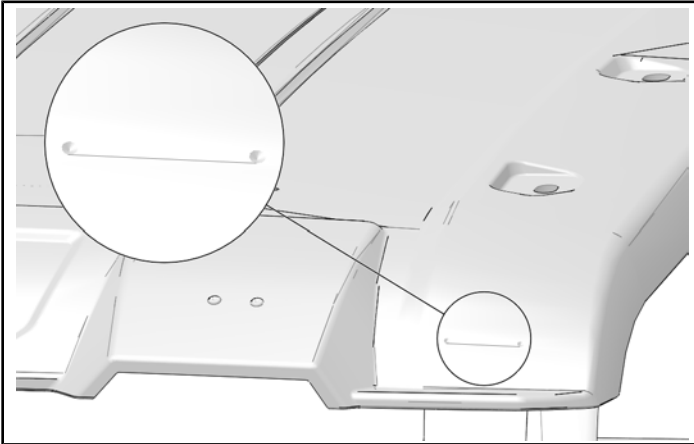
1. Remove any support holding up the roof and allow roof to lie flat.
2. Locate two dimples on each front corner of roof. Drill hole at each dimple.

MEASUREMENT

Drill Bit Size:
1/4 in (6 mm)

NOTICE

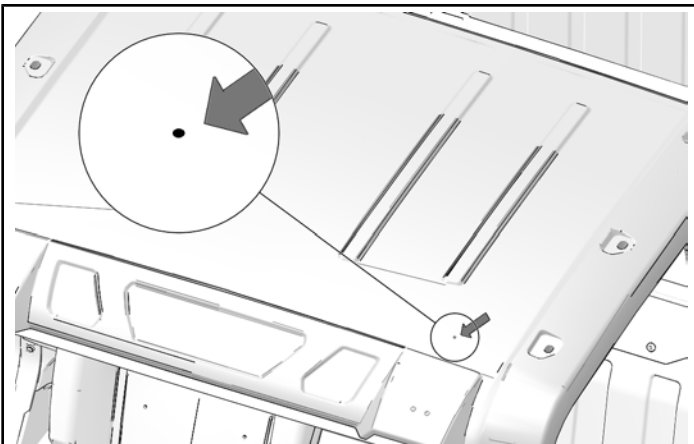
Left side shown, right side similar.



3. Locate drill point for grommet behind drivers side eyebrow feature. Drill pilot hole at this location.

MEASUREMENT

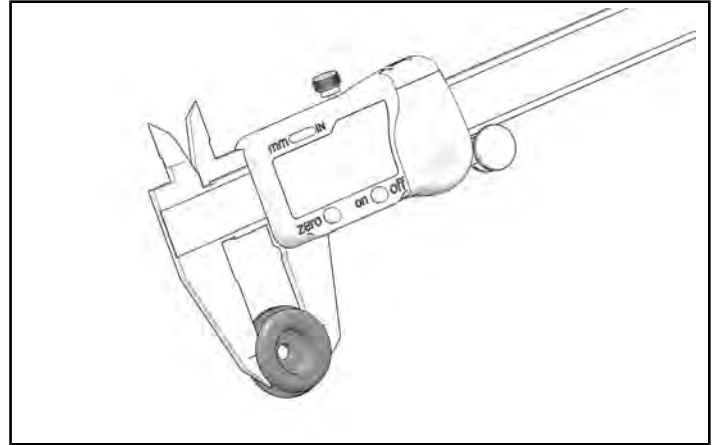
Drill Bit Size:
1/8 in (3 mm)



4. Lightbar kit will contain a grommet. Measure grommet to determine needed hole size.

TIP

Grommet may already be installed on cube light wiring harness.

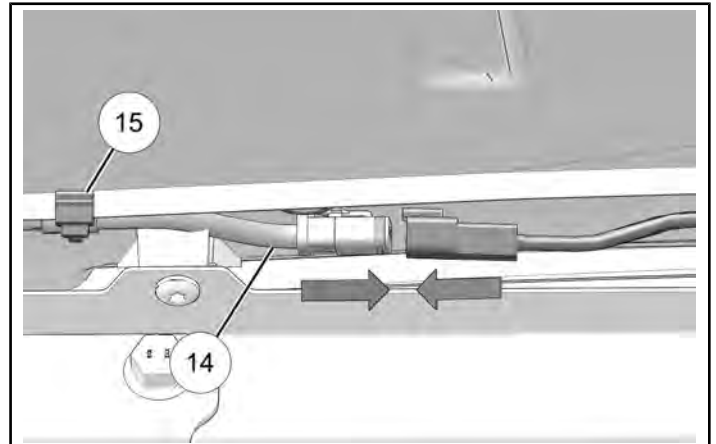


5. Use appropriate sized drill or hole saw to expand the grommet pilot hole to correct size for grommet. Push cube light wiring harness through hole. Place grommet around cube light harness and install grommet into hole.

TIP

It may be necessary to slit grommet to enable harness connector to fit through grommet.

6. Install edge clip ⑮ to vehicle harness ⑭. Connect lightbar harness to vehicle harness ⑭. Install edge clip to vehicle roof.

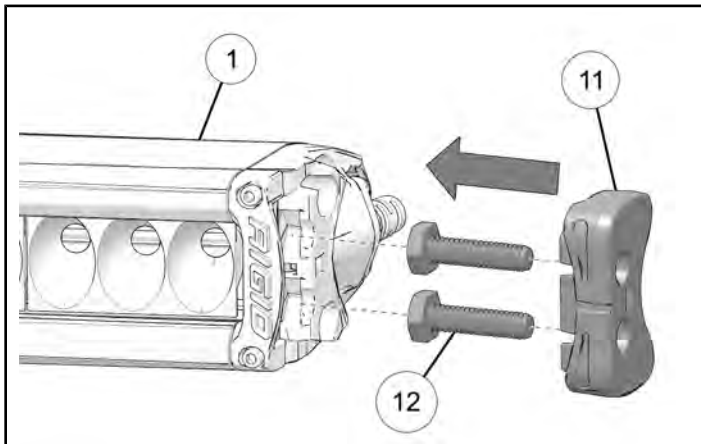


ASSEMBLE LIGHTBAR TO MOUNTS

NOTICE

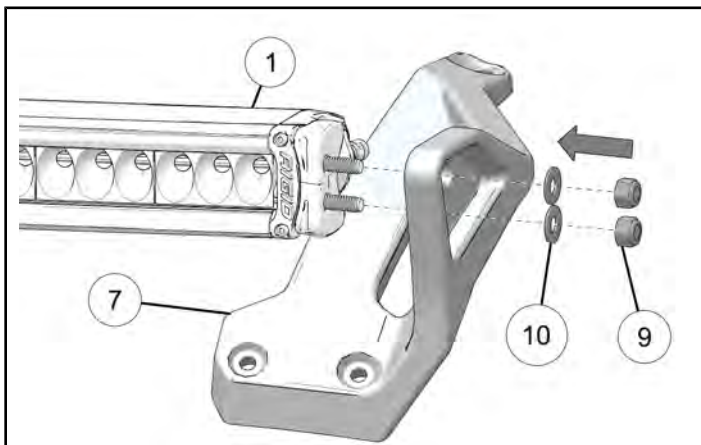
Left side shown; right side similar.

1. Install screw ⑫ heads in sockets in end of lightbar. Assemble bracket ⑪ over screw heads. Bracket will click into end of lightbar.



2. Assemble mount ⑦, two washers ⑩, and two nuts ⑨ to end of lightbar.

DO NOT torque fasteners at this time.

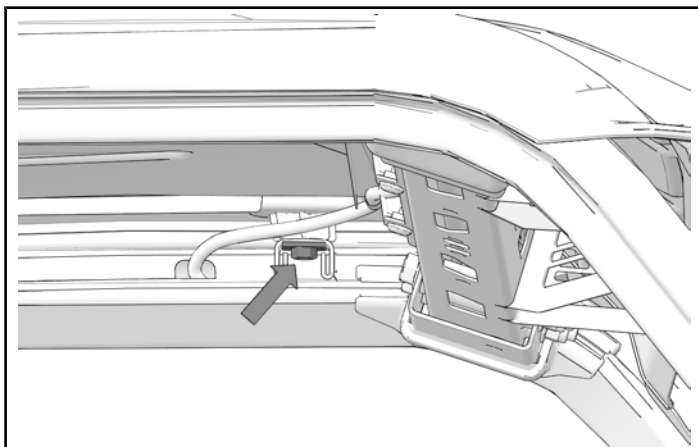
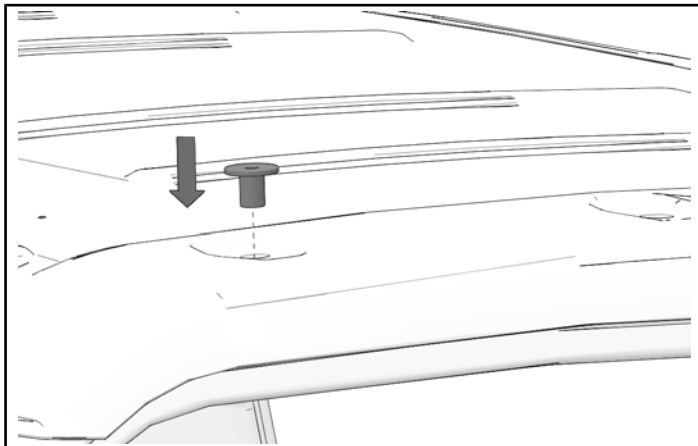


LIGHTBAR INSTALLATION

NOTICE

Left side shown; right side similar.

1. Install T washer that was previously removed from the front roof screw holes. Install T-nut underneath roof.

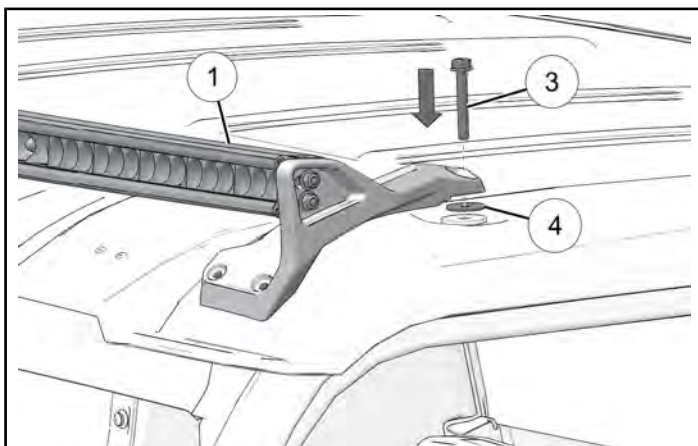


2. Position lightbar ① on roof. Install washer ④ between lightbar mount and T washer. Install screw ③ into roof screw hole.

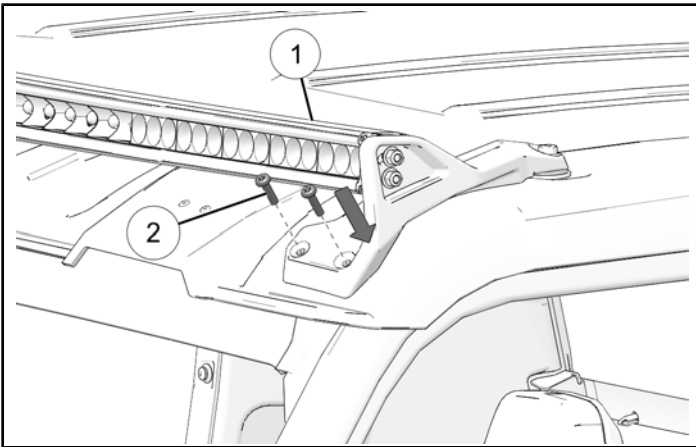
TIP

If vehicle is equipped with platform roof rack, do not use washer ④.

DO NOT torque fasteners at this time.



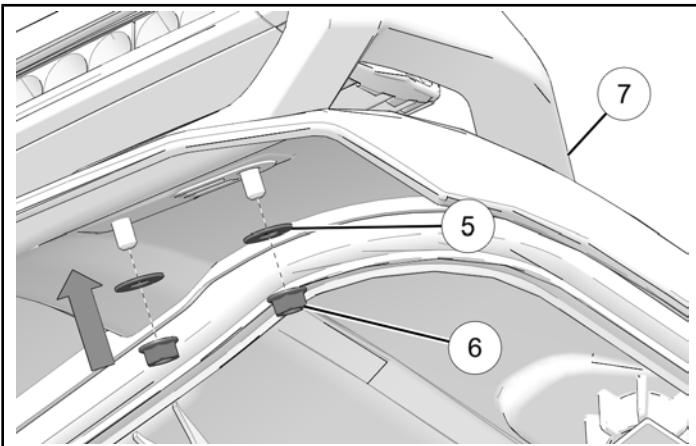
3. Install screws ② in front mounting holes.



4. Install washers ⑤ and nuts ⑥ on the front screws.

NOTICE

ROPS hidden for clarity.



5. Torque fasteners to specification.

TORQUE

Screws ③:
18 ft-lbs (24 N·m)

TORQUE

Nuts ⑥:
80 in-lbs (9 N·m)

TIP

Torque screws ③ after remaining roof screws are re-installed and are ready to be tightened.

VEHICLE REASSEMBLY

INSTALL FRONT ROOF SCREWS

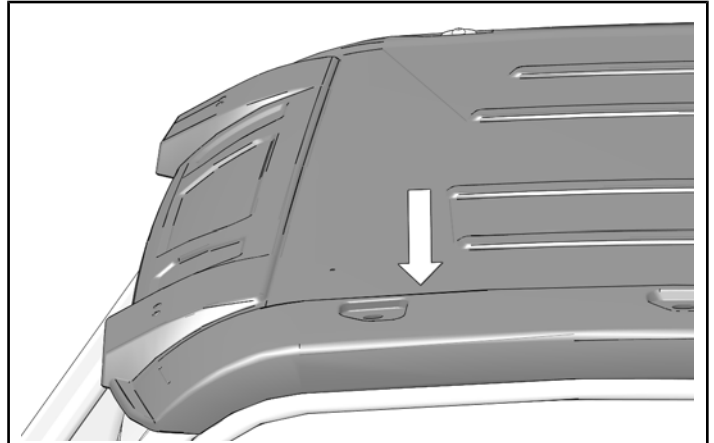
1. Remove any object propping up corner of roof. Lay roof flat on vehicle.

NOTICE

2 passenger vehicle shown; other models similar.

NOTICE

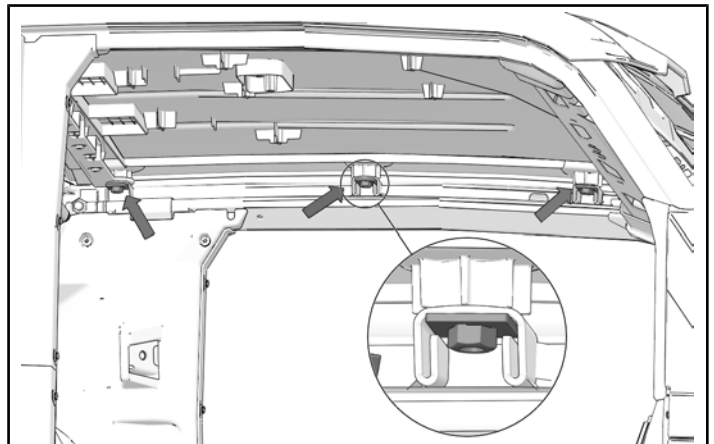
Left side shown; right side similar.



2. Install three weld nuts on each side of roof underside.

TIP

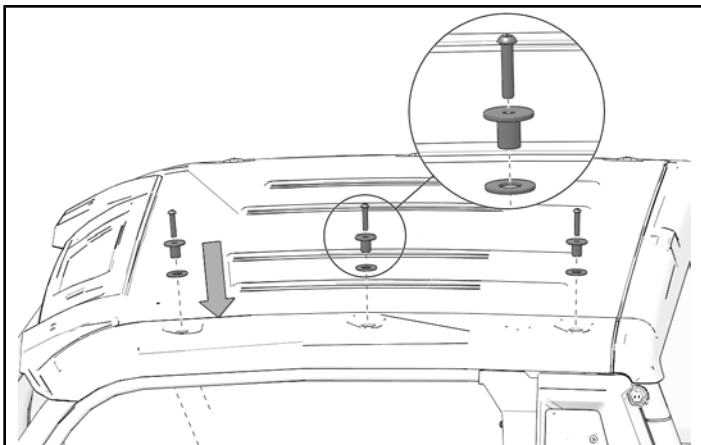
On 2 passenger vehicle only, rear nut on each side will need to be held in place while starting screw in nut. All other nuts will be held in place by brackets on ROPS.



3. Install three washers, spacers, and screws on each side of roof. Tighten screws to specification.

TORQUE

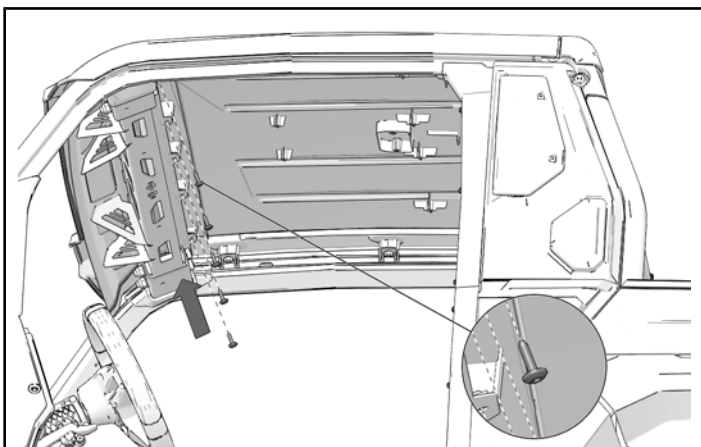
Roof Screws:
18 ft-lbs (25 N·m)



4. Install five screws in underside of roof. Torque screws to specification.

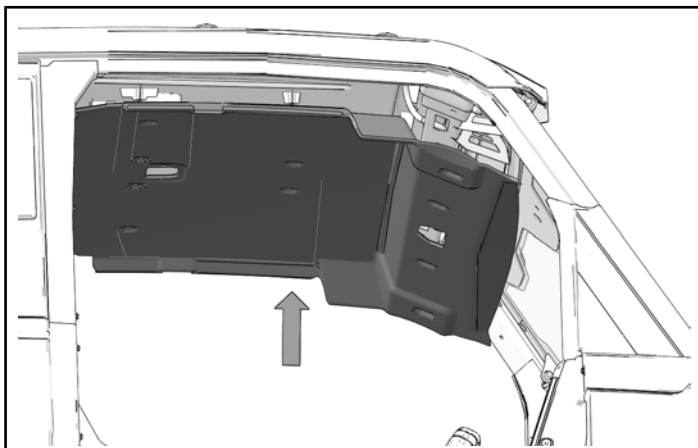
TORQUE

Roof Screws:
42 in-lbs (4.7 N·m)



FRONT ROOF LINER INSTALLATION

1. Install front roof liner.



2. Install six screws in top of roof liner and four screws in front of roof liner. Torque screws to specification.

NOTICE

Vehicles that are not equipped with rearview mirror will have a fifth screw at front of roof liner.

NOTICE

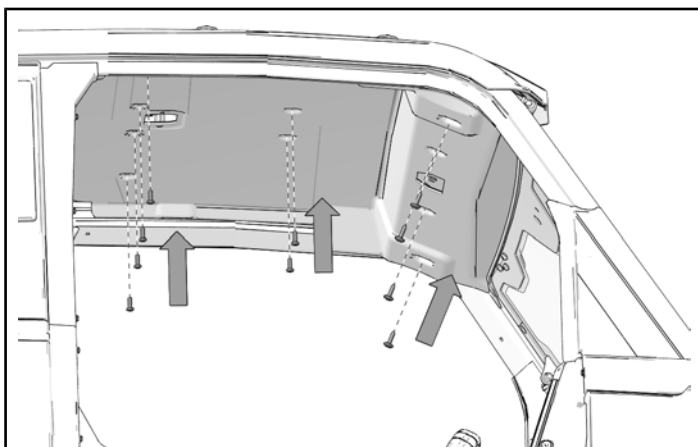
Vehicles equipped with 2-passenger cab will have three additional screws near rear of roof liner.

TORQUE

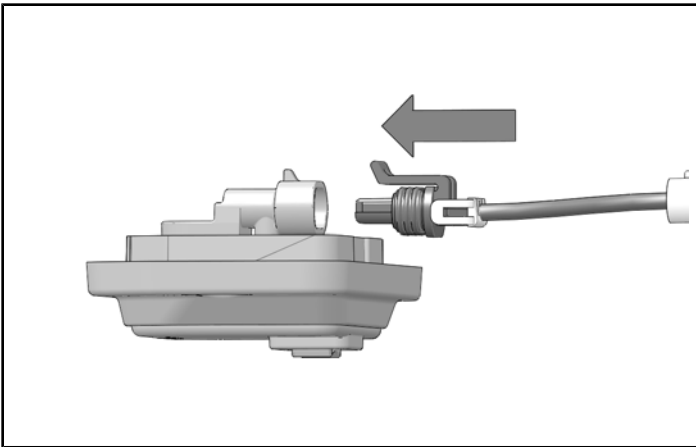
Top Roof Liner Screws:
27 in-lbs (3 N·m)

TORQUE

Front Roof Liner Screws:
44 in-lbs (5 N·m)



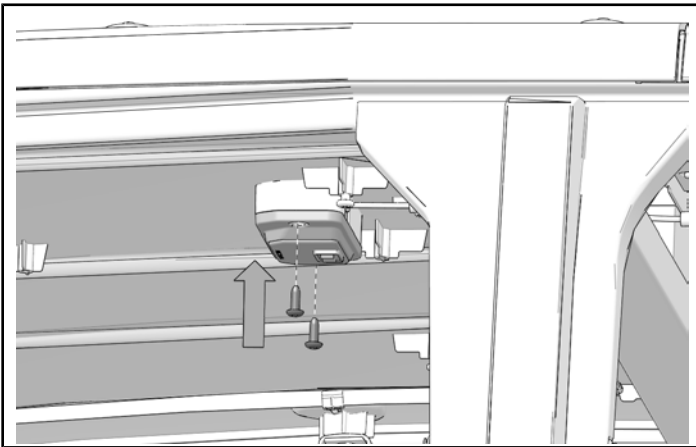
3. Connect wiring harness to dome light.



4. Install dome light with two screws. Torque screws to specification.

TORQUE

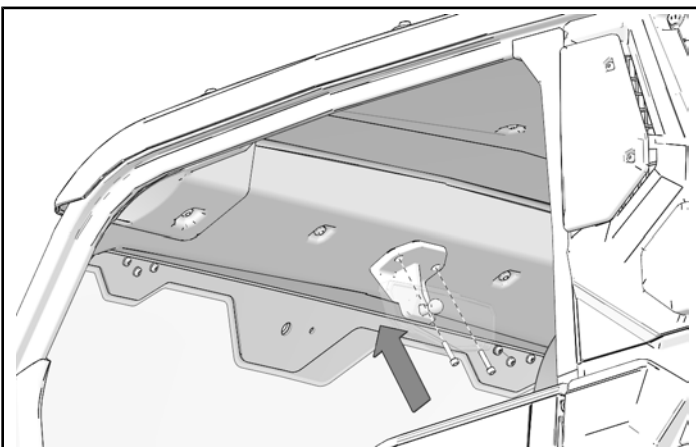
Dome Light Screws:
22 in-lbs (2.5 N·m)



5. Install rearview mirror assembly with two screws. Torque screws to specification.

TORQUE

Mirror Screws:
31 in-lbs (3.5 N·m)



REAR SPEAKER INSTALLATION

1. Install speaker using the kept screws. Torque screws to specification.

TORQUE

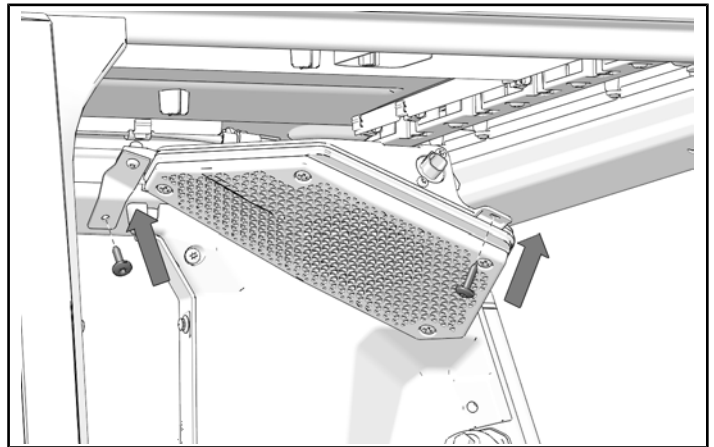
Speaker Mounting Screws:
44 in-lbs (5 N·m)

NOTICE

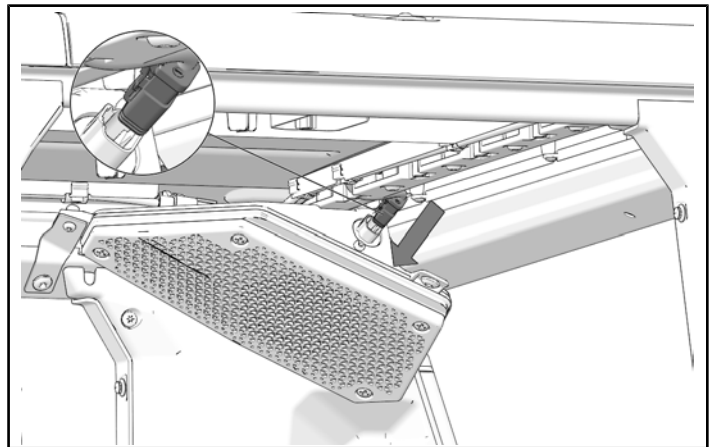
Right side shown; left side similar.

TIP

Top of speaker has a shape that engages a space in ROPS. Make sure speaker is fully seated in this space before installing screws.

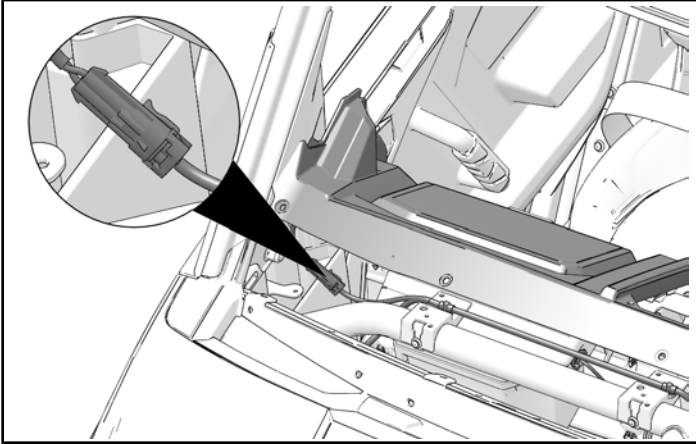


2. Connect the wiring harness to the speaker.



INSTALL DASH COVER

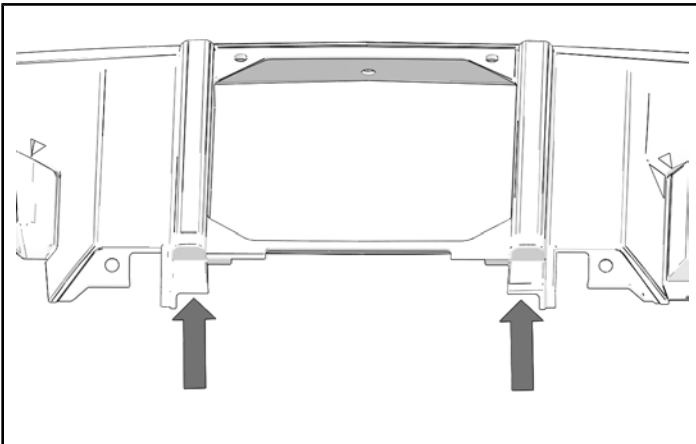
1. Connect speaker wires if necessary.



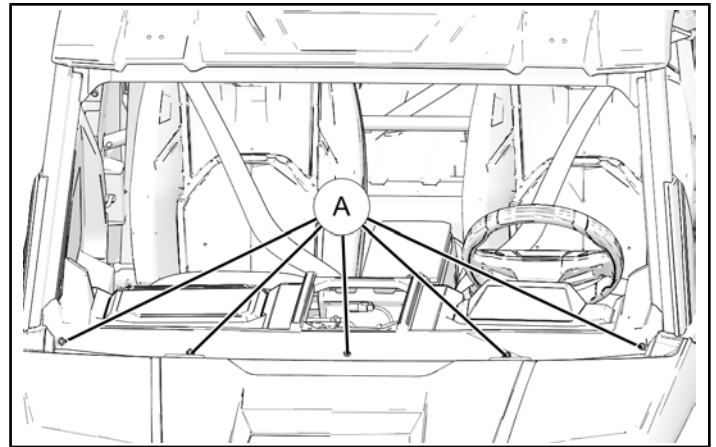
2. Put front of dash cover in position and set into place. Make sure center of dash is placed in slots on vehicle.

TIP

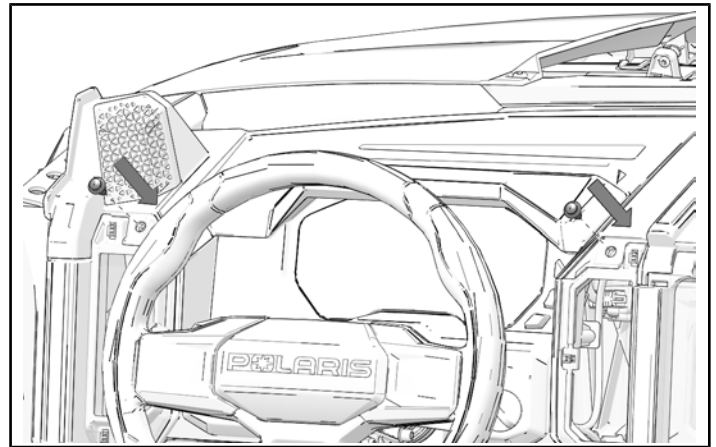
If head unit/storage bin was not removed, make sure these tabs are inserted behind the head unit trim.



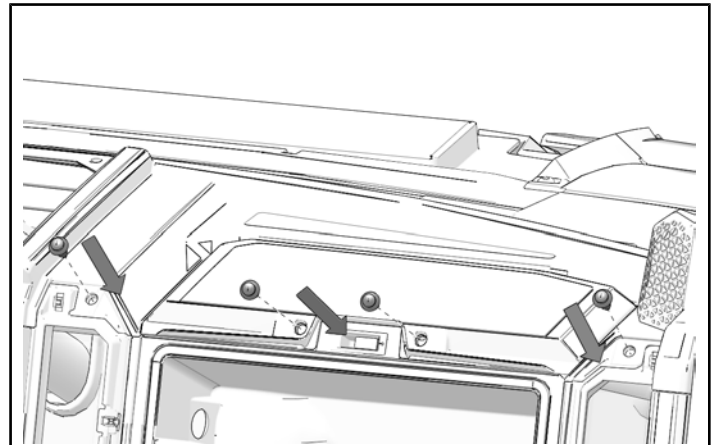
3. Install five push screws (A).



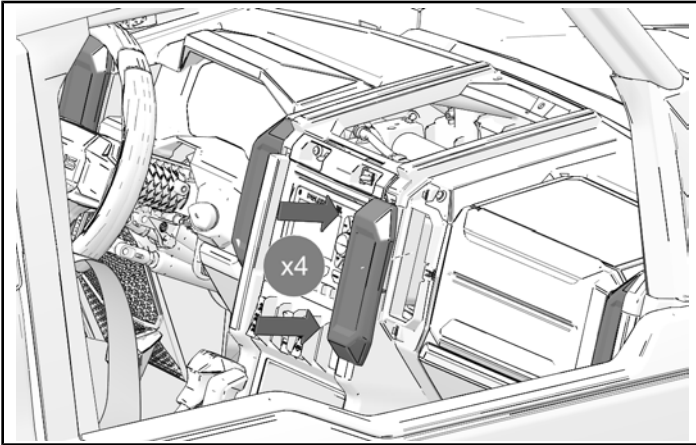
4. Install two push pin rivets on drivers side of dash cover.



5. Install four push pin rivets on passenger side of dash cover.



6. Install four dash vent covers. Push evenly at top and bottom to install.



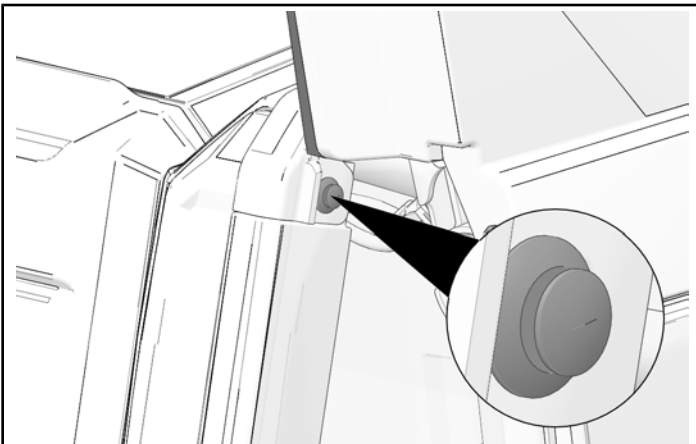
7. Install one push pin rivet at each side of dash.

NOTICE

A-pillar trim hidden for clarity.

NOTICE

Right side shown; left side similar.



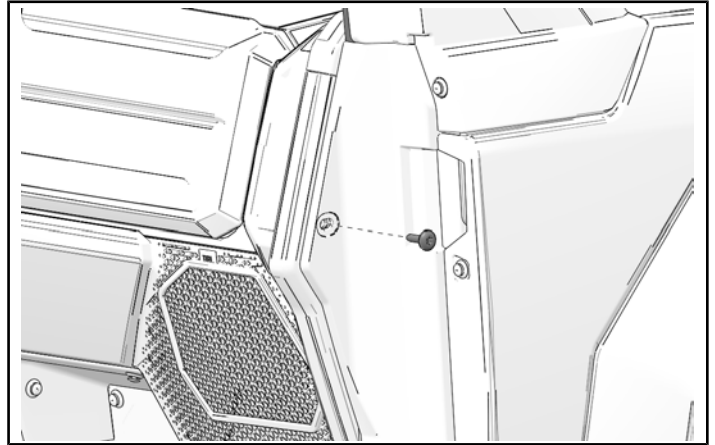
8. Install one screw at each side of dash. Torque to specification.

NOTICE

Right side shown; left side similar.

TORQUE

Dash Screws:
26.5 in-lbs (3 N·m)

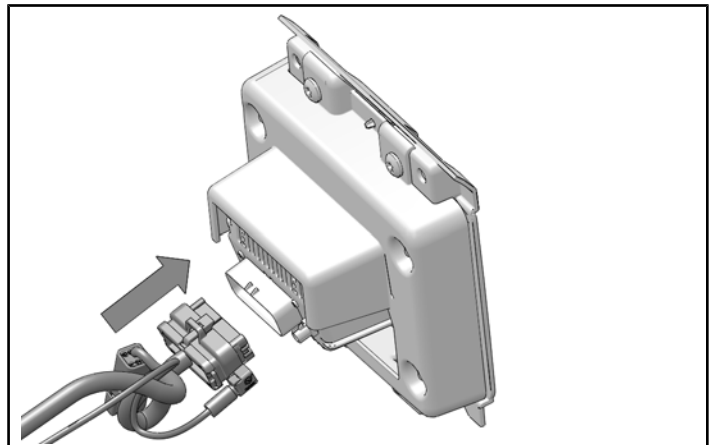


HEAD UNIT INSTALLATION

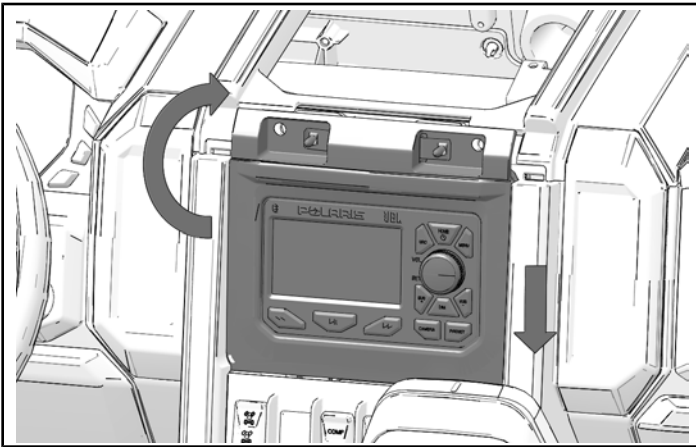
NOTICE

Base audio head unit installation shown. Ride Command® display installation similar.

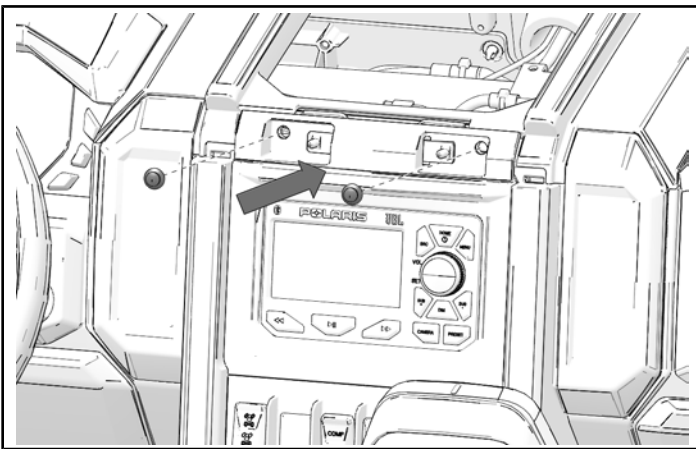
1. Attach wiring harness and antenna to head unit.



- Put bottom of head unit into position. Push top of head unit into dash.

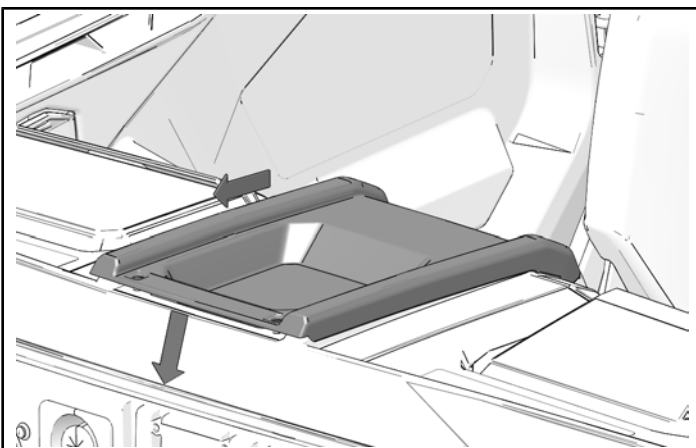


- Install two push-pin rivets into top of head unit.

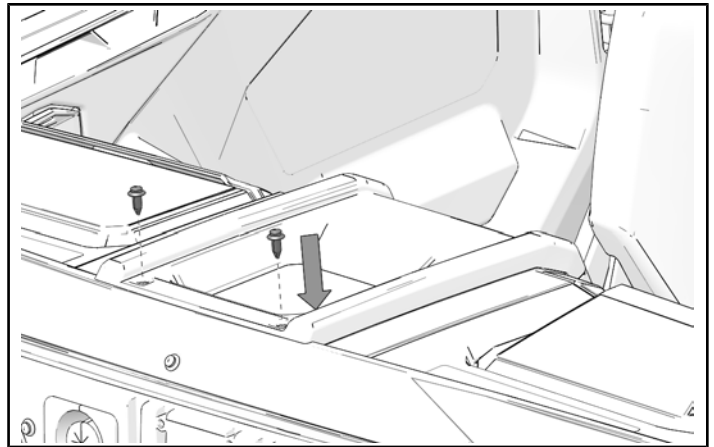


CENTER DASH PANEL INSTALLATION

- Install center panel. Install rear tabs into dash, then lower into position.



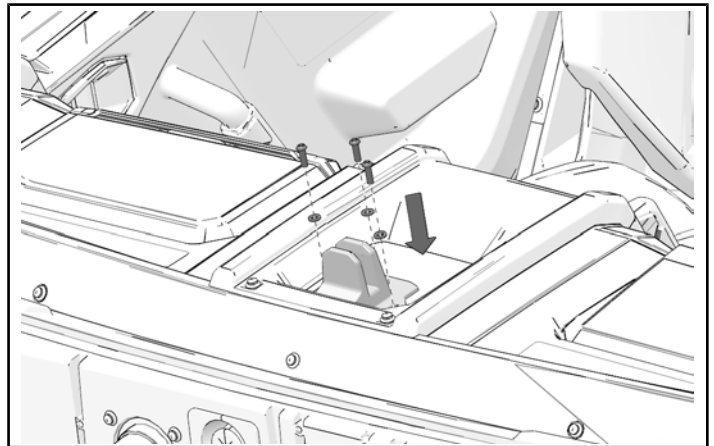
- Install two push-pin rivets.



- If vehicle is equipped with tip-out windshield. Install base, three screws, and washers. Torque screws to specification.

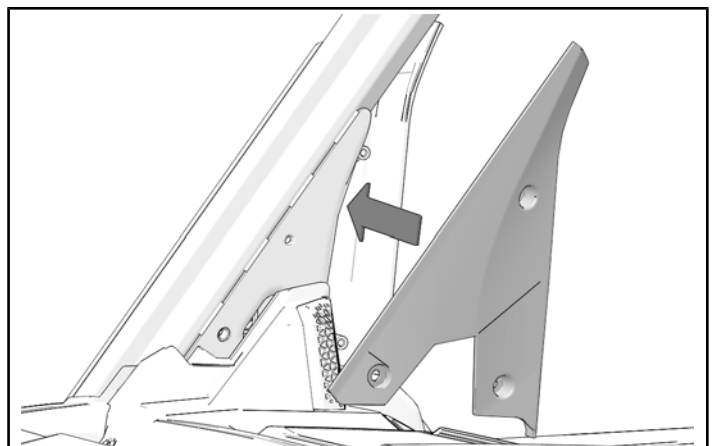
TORQUE

Base Screws:
89 in-lbs (10 N·m)



INSTALL LOWER A-PILLAR TRIM

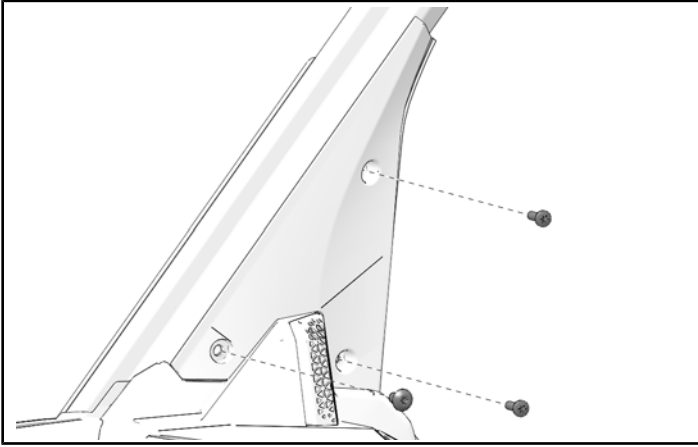
- Put lower A-pillar trim in position at base of A-pillar.



2. Install three screws. Torque to specification.

TORQUE

Lower A-Pillar Trim Screws:
22 in-lbs (2.5 N·m)

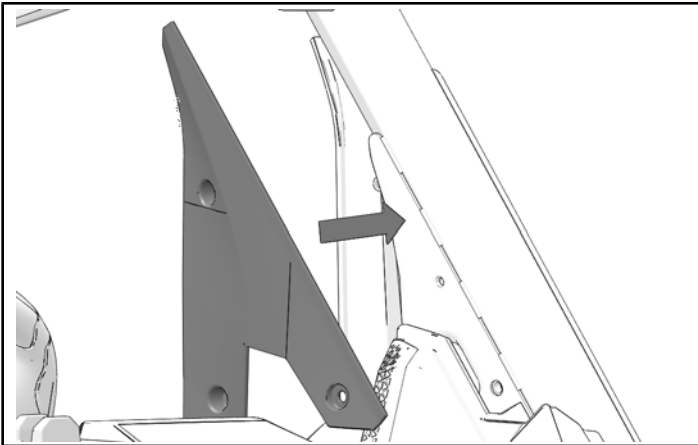


VEHICLES EQUIPPED WITH TIP-OUT WINDSHIELD

NOTICE

Left side shown; right side similar.

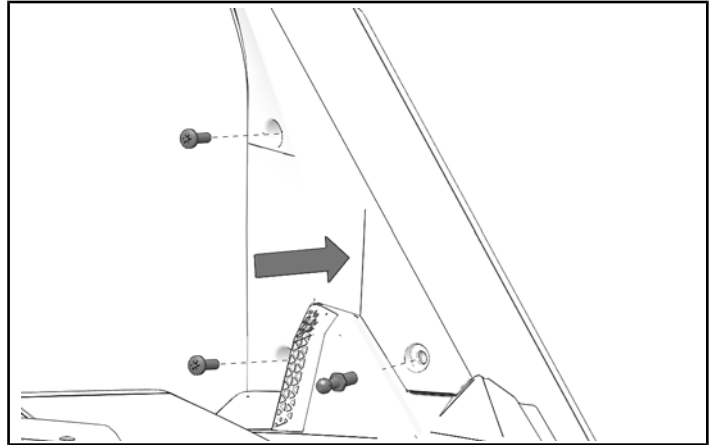
1. Put lower A-pillar trim in position at base of A-pillar.



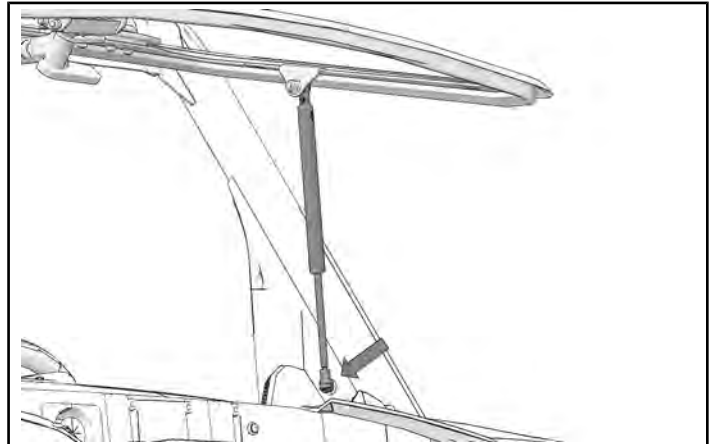
2. Install two screws and ball stud. Torque to specification.

TORQUE

Lower A-Pillar Trim Screws:
22 in-lbs (2.5 N·m)



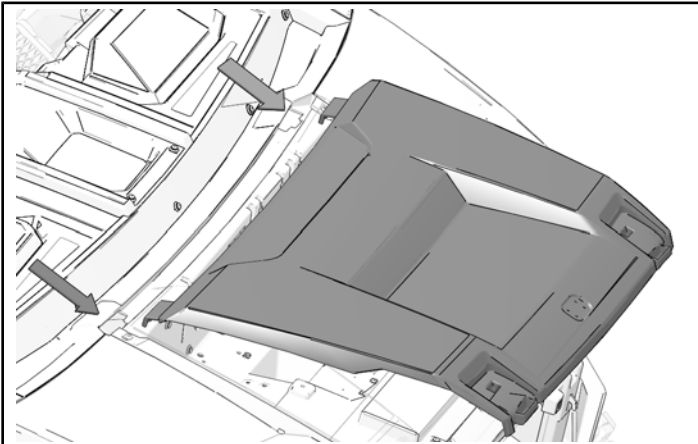
3. Return clip at bottom of gas spring to engaged position. Connect bottom of gas springs.



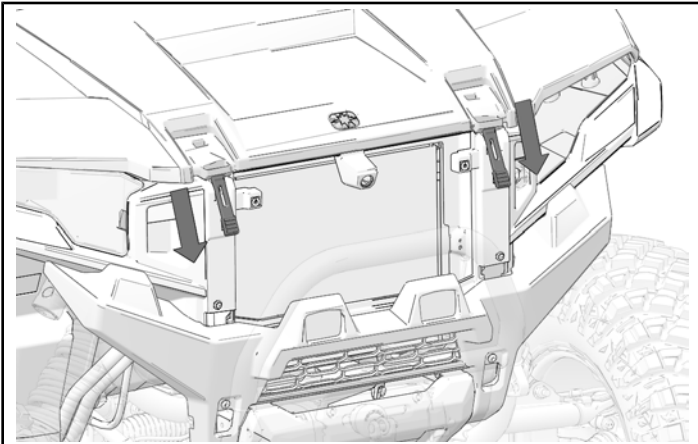
4. Remove windshield support and close tip-out windshield.

HOOD AND GRILL INSTALLATION

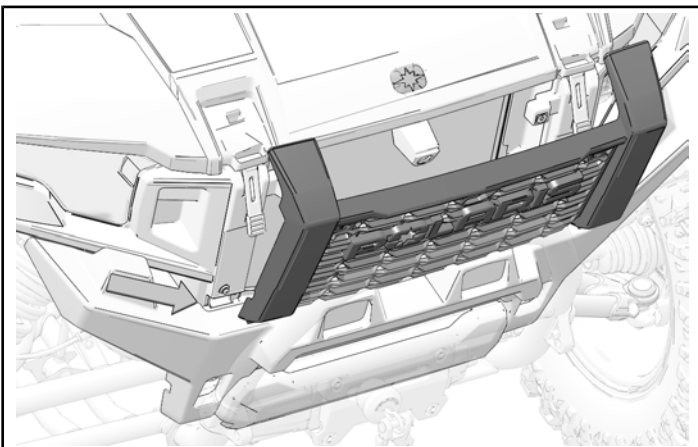
1. Put tabs on hood through openings in underhood liner. Then lower hood into position.



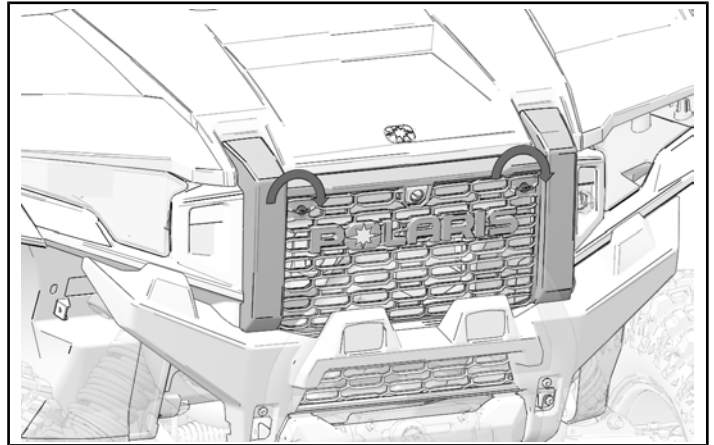
2. Pull rubber straps down over hooks to secure hood.



3. Put tabs on grill through openings in front fascia. Push top of grill into correct position.

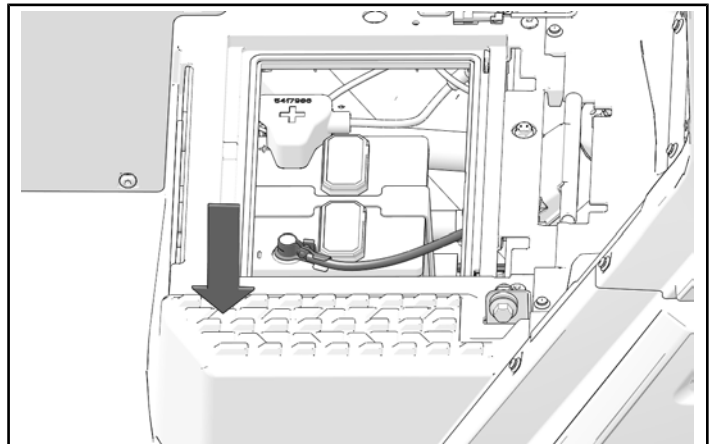


4. Push each stud in and turn one-quarter turn clockwise to attach grill.

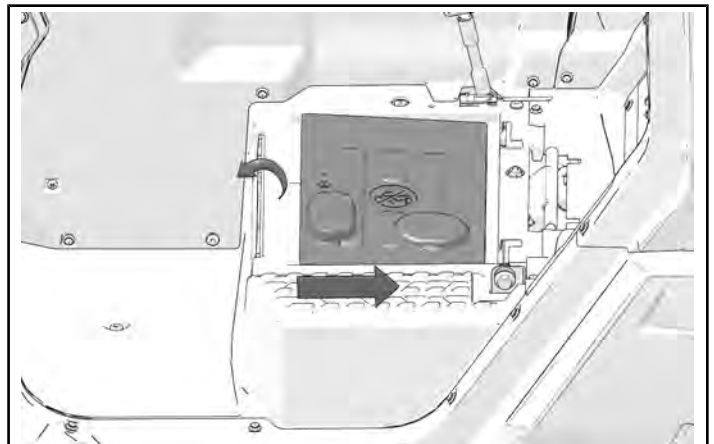


CONNECT BATTERY

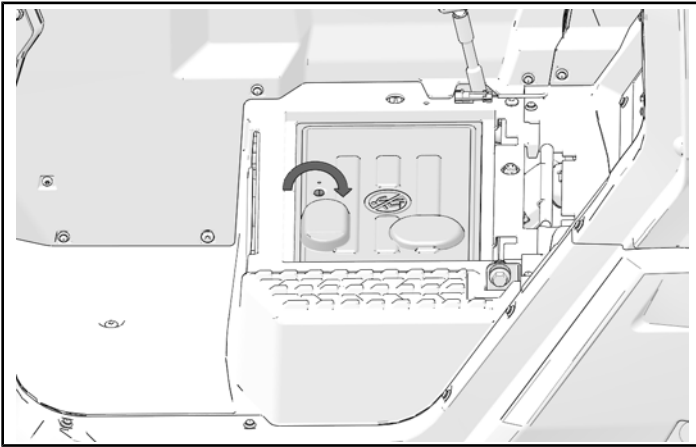
1. Connect negative cable to battery.



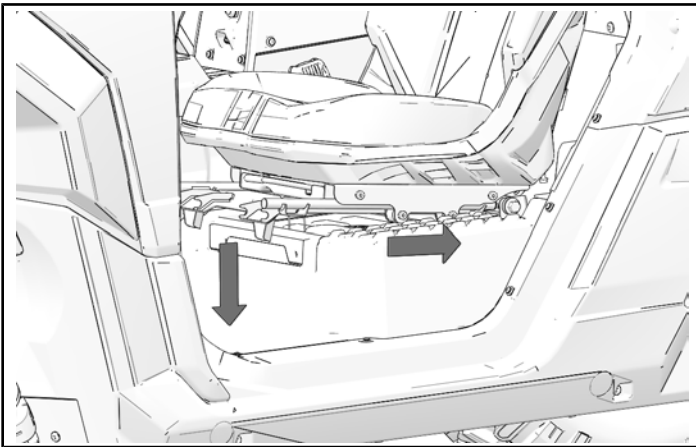
2. Push battery cover rearward and lower into place.



3. Turn screw to close cover.



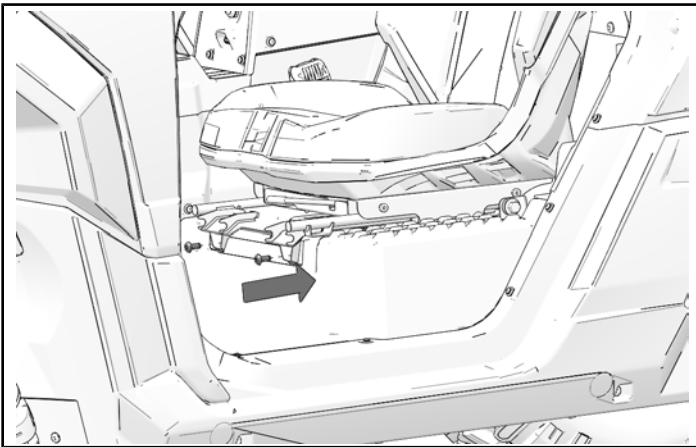
4. Push rearward to engage seat and lower front of seat into place.



5. Install two kept screws at front of seat base. Torque screws to specification.

TORQUE

Screws:
13 ft-lbs (18 N·m)

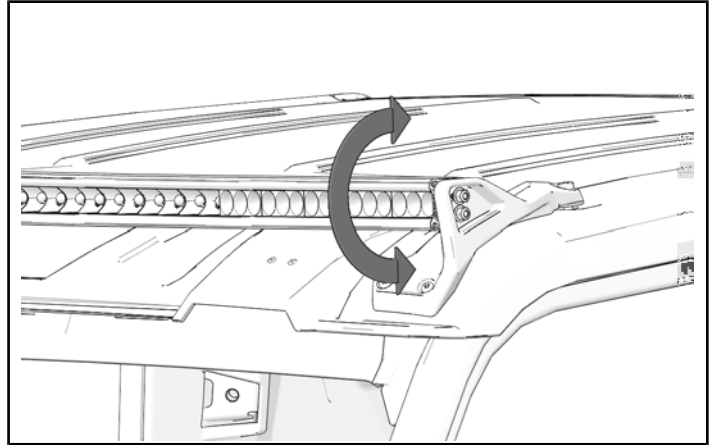


TEST AND ADJUST LIGHTBAR

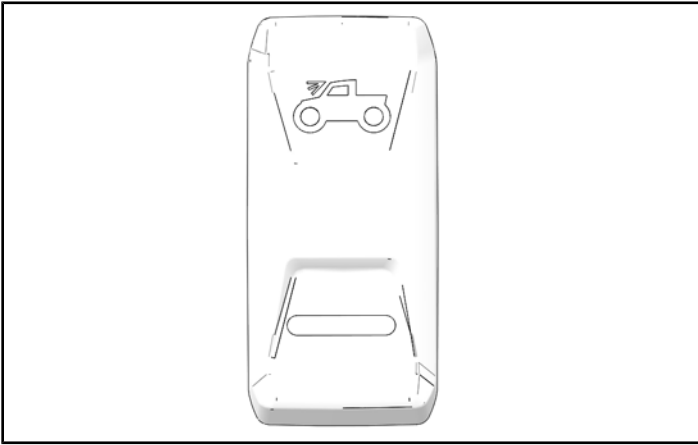
1. Press top of lightbar switch to test lightbar.
2. Loosen mounting screws on each end of lightbar. Adjust lightbar as desired. Tighten screws to appropriate specification.

TORQUE

Lightbar Screws:
16 ft-lbs (22 N·m)



OPERATION



- Press top of switch to turn on lightbar.
- Press bottom of switch to turn off lightbar.