

POLY REAR PANEL KIT



P/N 2889777

BEFORE YOU BEGIN

Read these instructions and check to be sure all parts and tools are accounted for. Please retain these installation instructions for future reference and parts ordering information.

APPLICATION

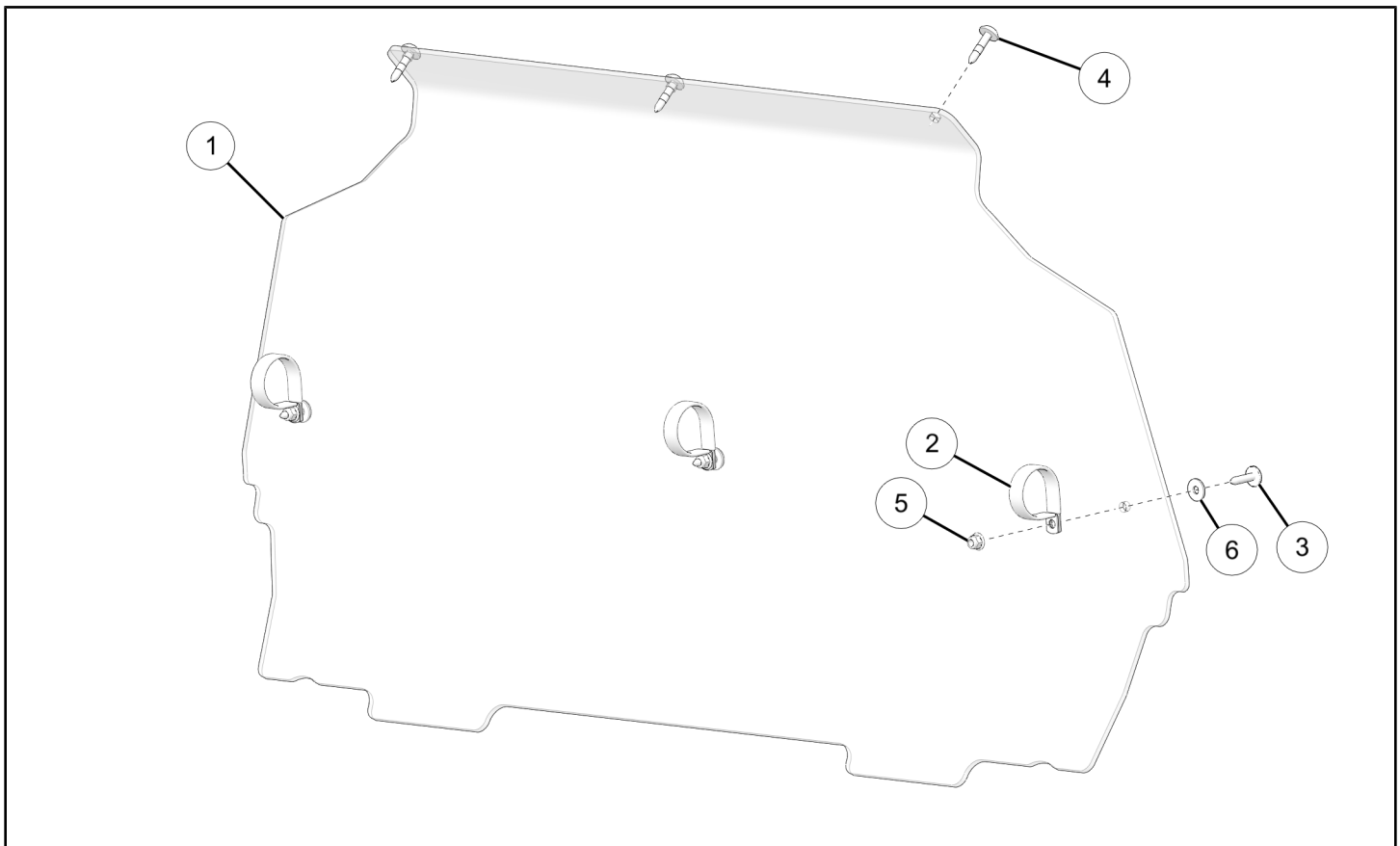
Verify accessory fitment at www.polaris.com.

REQUIRED SOLD SEPARATELY

Only parts for installation of the Poly Rear Panel Kit are included. For complete installation, the following additional kit is required (sold separately):

- *Roof Kit*, P/N 2889739

KIT CONTENTS



REF	QTY	PART DESCRIPTION	P/N AVAILABLE SEPARATELY
1	1	Panel – Rear	n/a
2	3	P – Clamp (1.5), Rubber Dipped	7082439
3	3	Screw – Torx®, M6 x 1.0 x 25 mm	7519650
4	3	Screw – Torx®, M6 x 1.0 x 30 mm	7520748

REF	QTY	PART DESCRIPTION	P/N AVAILABLE SEPARATELY
5	3	Nut – Hex, Flanged, M6 x 1.0 mm	7547453
6	3	Washer – 6.4 x 18.0 x 1.6 mm	7556064

TOOLS REQUIRED

- Safety Glasses
- Socket Set, Torx® Bit
- Socket Set, Metric
- Wrench Set, Metric

IMPORTANT

Your Poly Rear Panel Kit is exclusively designed for your vehicle. Please read the installation instructions thoroughly before beginning. Installation is easier if the vehicle is clean and free of debris. For your safety, and to ensure a satisfactory installation, perform all installation steps correctly in the sequence shown.

INSTALLATION INSTRUCTIONS

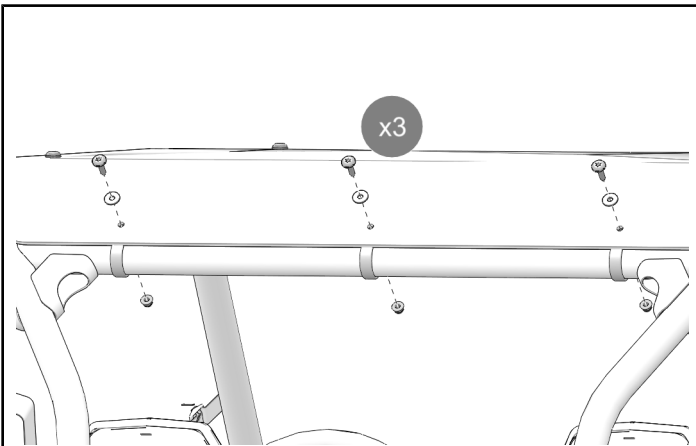
VEHICLE PREPARATION

GENERAL

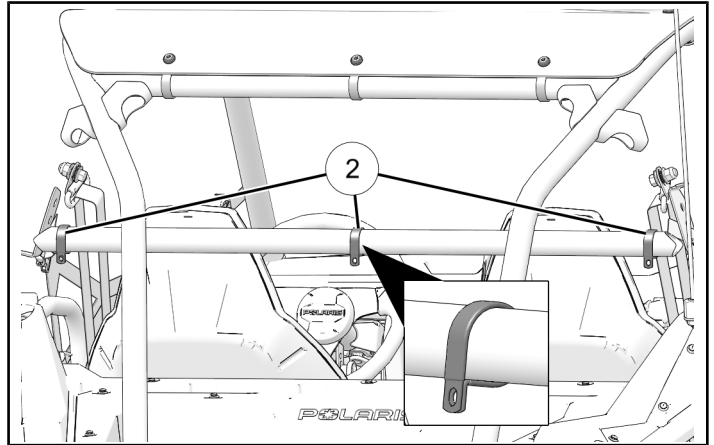
1. Park vehicle on a flat surface.
2. Push engine stop switch to OFF position.
3. Turn key to OFF position and remove key.

ACCESSORY INSTALLATION

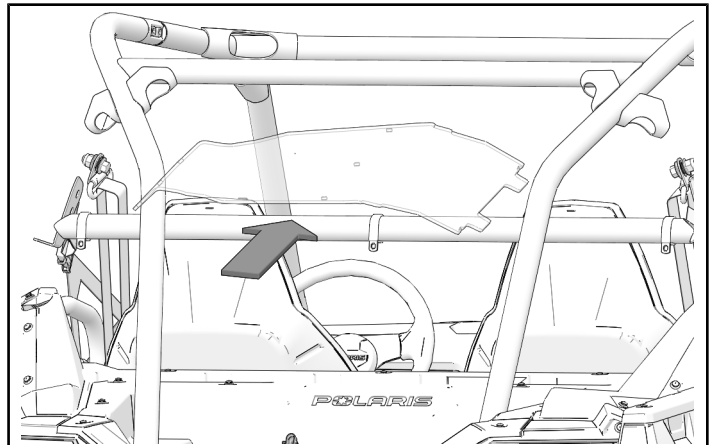
1. Remove three screws, three washers and three nuts from rear of roof panel. Discard screws, keep washers and nuts.



2. Install three P-clamps on ROPS bar. Make sure flat part of P-clamp is positioned toward rear of vehicle and mounting hole is positioned down.



3. Turn poly rear panel sideways with rear facing up and feed toward interior of vehicle.



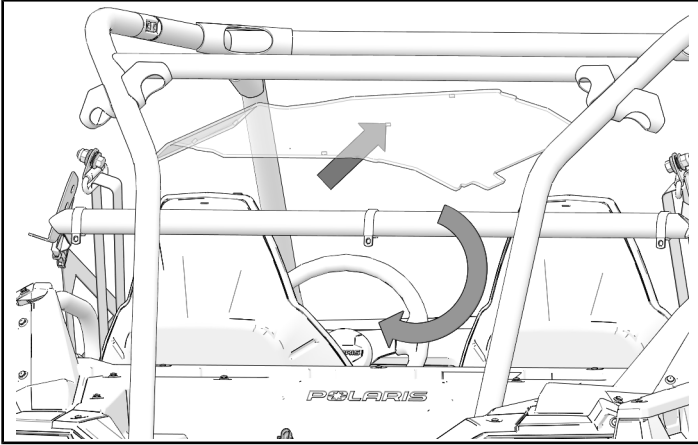
4. Lift and turn poly rear panel while pulling back into position on rear of ROPS.

TIP

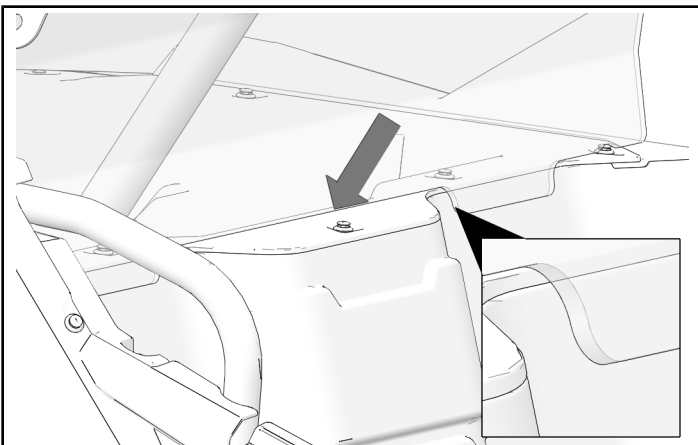
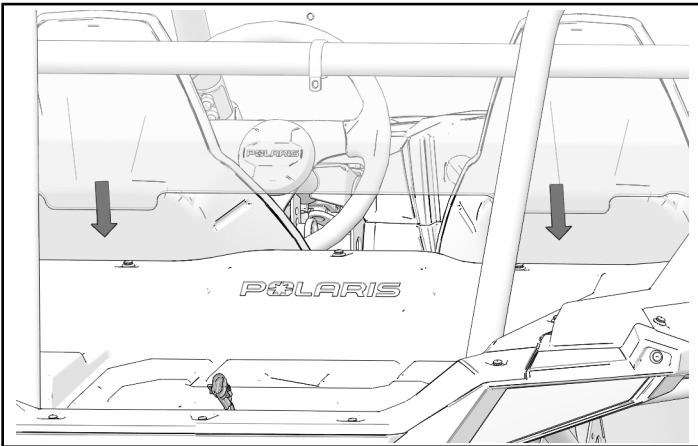
It may be necessary to bend poly rear panel slightly to maneuver it into the correct position.

IMPORTANT

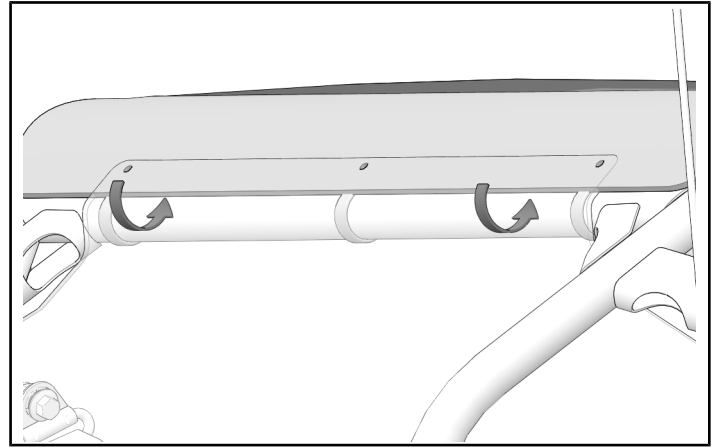
Take care not scratch or break poly rear panel during the installation process.



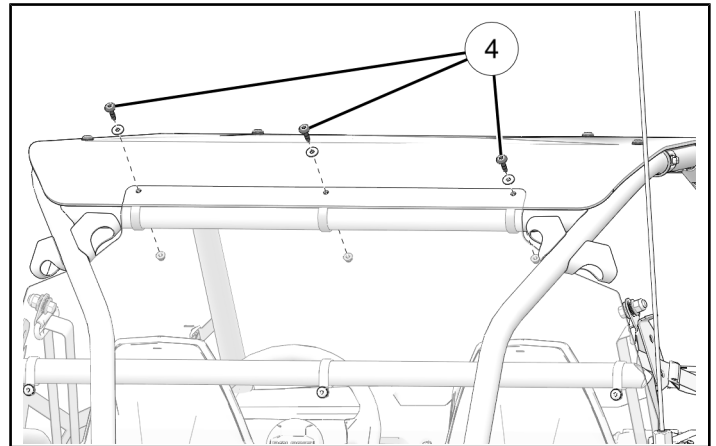
5. Fit tabs on bottom edge of poly rear panel in front of panel at rear of rider compartment. Center section of panel should rest on top of rear panel section of rider compartment.



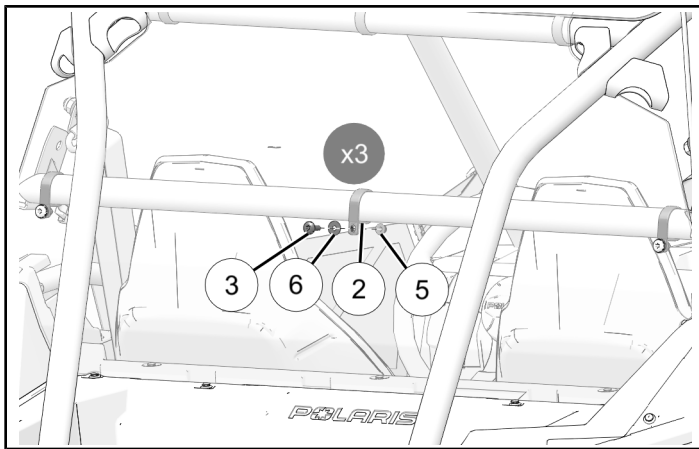
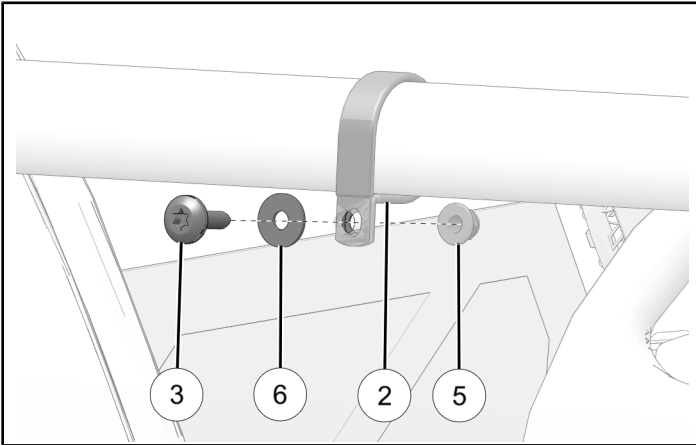
6. Fit top edge of poly rear panel under existing roof panel.



7. Loosely install three screws (4), retained washers and nuts through roof panel, poly rear panel and existing P-clamps.



8. Install three screws ③, three washers ⑥, and three nuts ⑤ through P-clamps ②.



9. Torque all fasteners to specification.

TORQUE

Poly Rear Panel Fasteners:
30 in-lbs (3.5 N·m)

INSTRUCTION FEEDBACK FORM

A feedback form has been created for the installer to provide any comments, questions or concerns about the installation instructions. The form is viewable on mobile devices by scanning the QR code or by clicking [HERE](#) if viewing on a PC.

