

ROOF LIGHT BAR HARNESS KIT



P/N 2889675

BEFORE YOU BEGIN

Read these instructions and check to be sure all parts and tools are accounted for. Please retain these installation instructions for future reference and parts ordering information.

APPLICATION

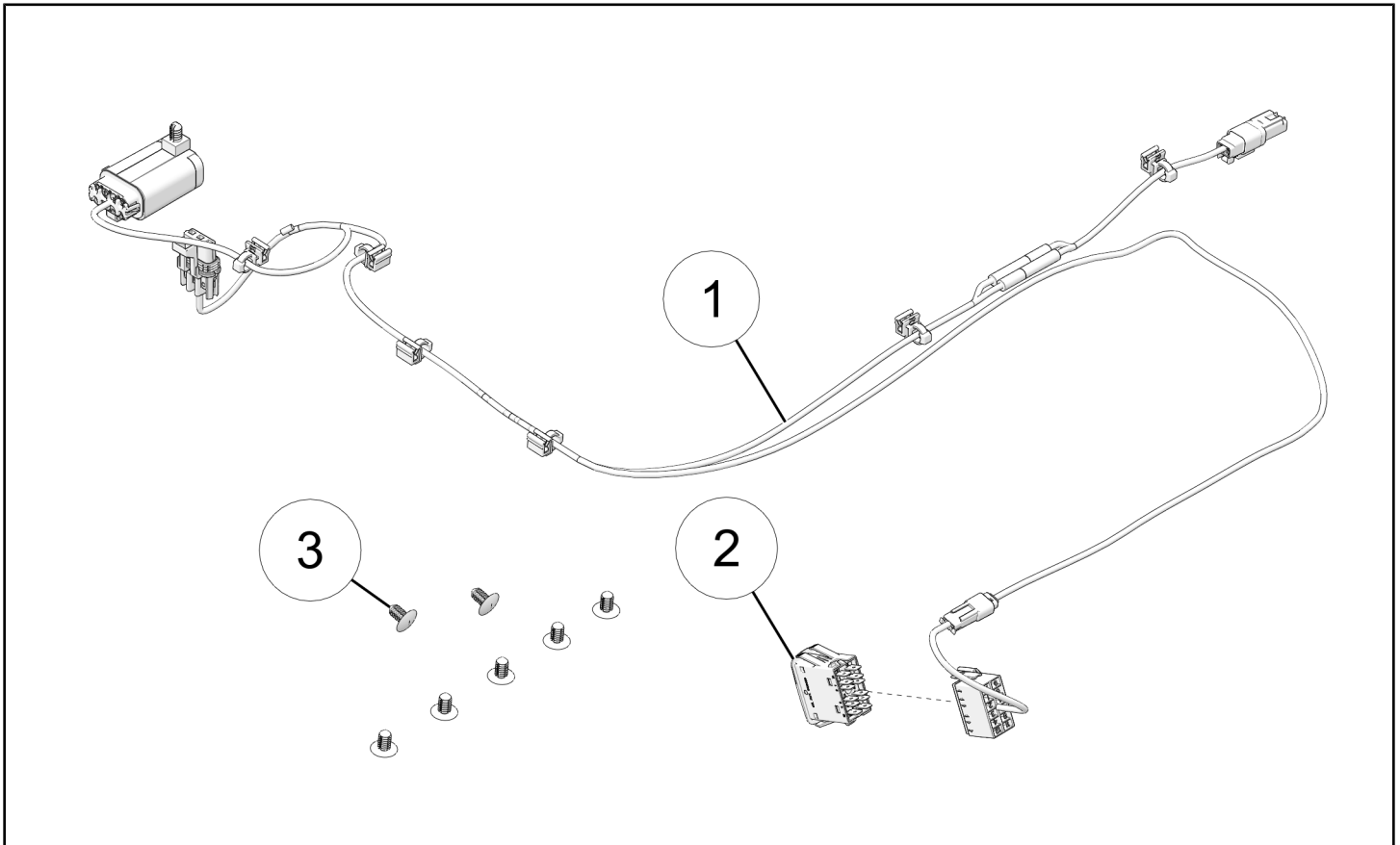
Verify accessory fitment at www.polaris.com.

REQUIRED SOLD SEPARATELY

Only parts for installation of the Roof Light Bar Harness Kit are included. See chart below for model specific applications.

KIT P/N	ALL MODELS	2023 TRAIL BOSS ULTIMATE VEHICLES	CREW MODEL	CUSTOM PLACEMENT OF LIGHTBAR
<i>Single Lightbar Kit, P/N Various</i>	X	X		
<i>Roof Kit, P/N Various</i>	X			
<i>Upper Switch Panel, P/N 2889674</i>	X			
<i>Rear Power Pulse® Bar, P/N 2882904</i>	X			
<i>Extension Harness, P/N 2890067</i>		X	X	
<i>Light Extension Harness, P/N 2883854</i>				X

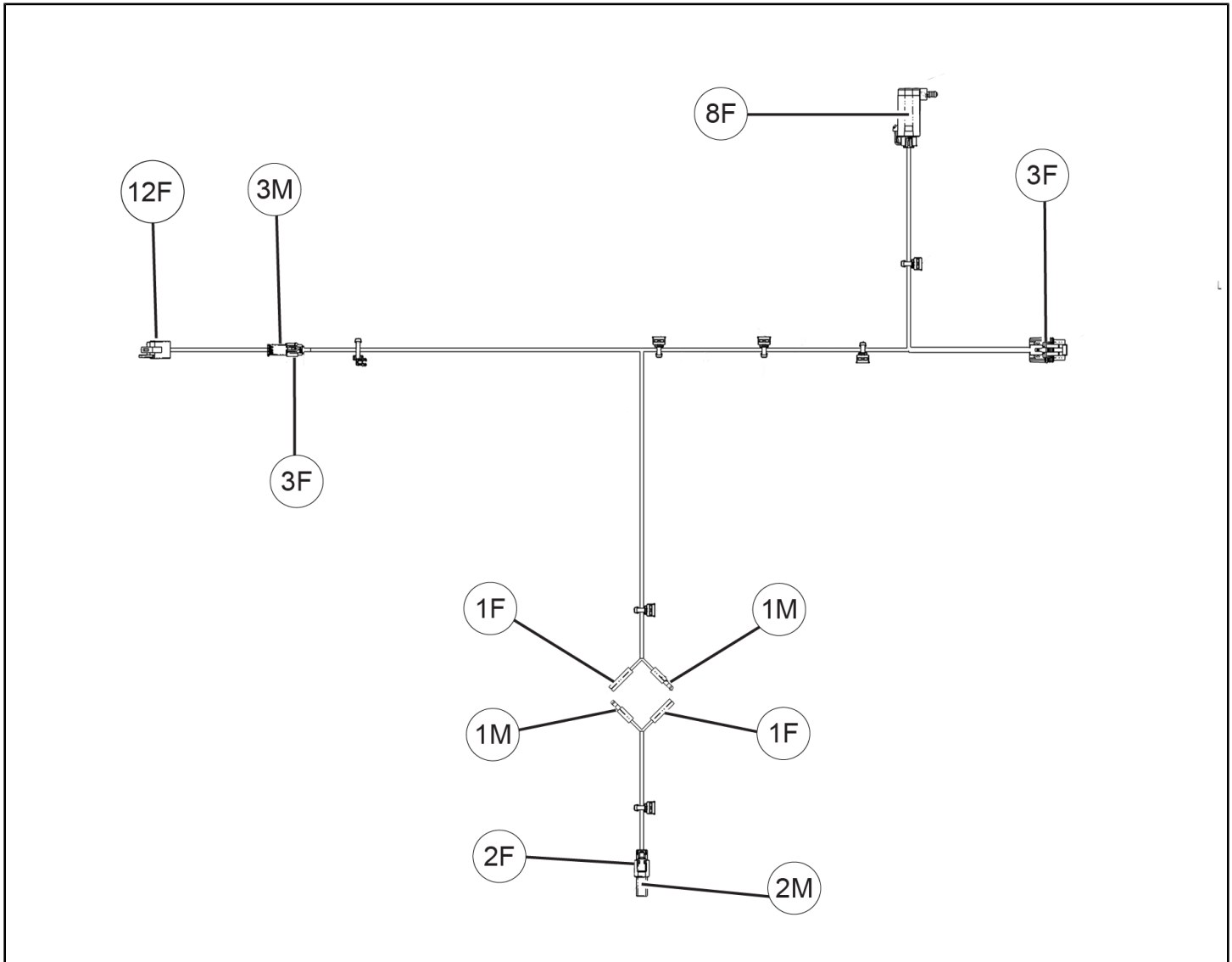
KIT CONTENTS



REF	QTY	PART DESCRIPTION	P/N AVAILABLE SEPARATELY
1	1	Light Harness	n/a
2	1	Switch	4080274-22
3	7	Push Dart	7670088

HARNES DETAIL

ROOF LIGHT HARNESS ①



REF	PART DESCRIPTION	CONNECTS TO
12F	Connector, Light Bar Switch	Light Bar Switch
3M	Connector, Fuse	pre-connected to 3F
3F	Connector, Interconnect	pre-connected to 3M
1F	Lightbar Interconnect #1A	pre-connected to 1M #1B
1M	Lightbar Interconnect #1B	pre-connected to 1F #1A
2F	Connector, Light Bar	pre-connected to 2M
2M	Connector, Light Bar	Light Bar
1F	Lightbar Interconnect #2B	pre-connected to 1M #2A
1M	Lightbar Interconnect #2A	pre-connected to 1F #2B
8F	Connector, Fuse Center	Fuse Center

REF	PART DESCRIPTION	CONNECTS TO
3F	Connector, Accessory Terminal Block	Accessory Terminal Block
Example: 16F = 16 pin, Female / 16M = 16 pin, Male (Male terminal fits inside female terminal)		

TOOLS REQUIRED

- Safety Glasses
- Cutting Tool
- Screwdriver Set, Torx®

IMPORTANT

Your Roof Light Bar Harness Kit is exclusively designed for your vehicle. Please read the installation instructions thoroughly before beginning. Installation is easier if the vehicle is clean and free of debris. For your safety, and to ensure a satisfactory installation, perform all installation steps correctly in the sequence shown.

INSTALLATION INSTRUCTIONS

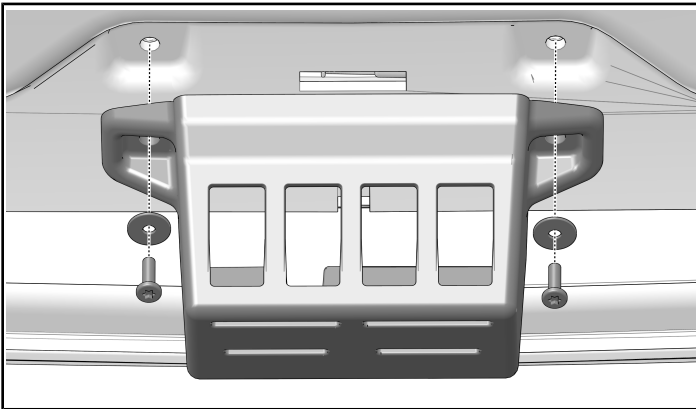
VEHICLE PREPARATION

GENERAL

1. Park vehicle on a flat surface.
2. Shift vehicle into PARK.
3. Turn key to OFF position and remove key.

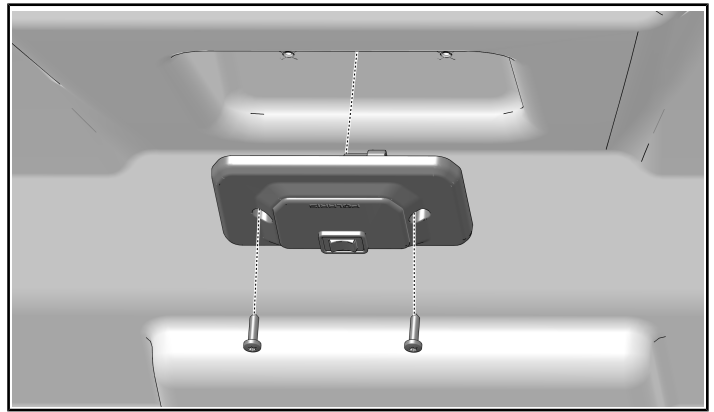
SWITCH PANEL REMOVAL (IF INSTALLED)

1. Remove and keep two screws, two washers, and switch panel.

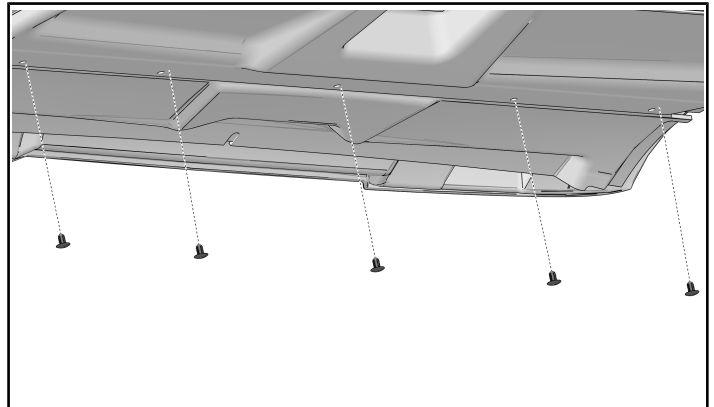


ROOF LINER REMOVAL (IF EQUIPPED)

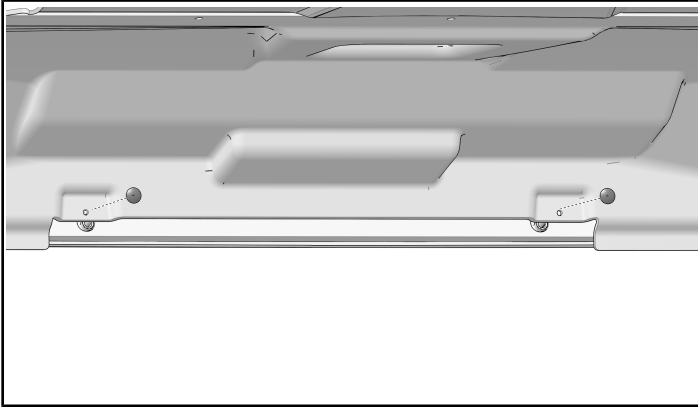
1. Remove and keep dome light and two screws (if equipped).



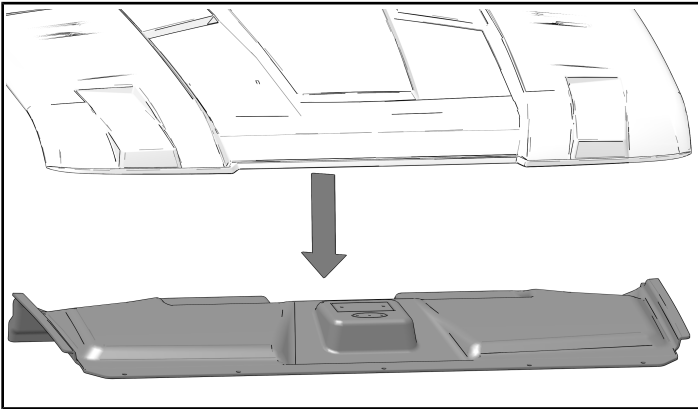
2. Remove and discard five push-darts from front roof liner.



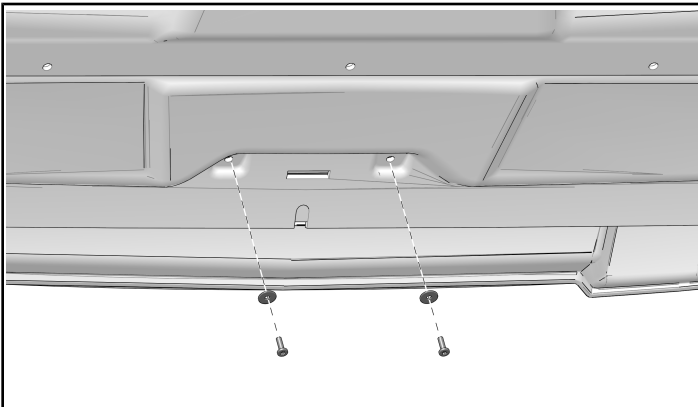
3. Hold rear roof liner up and remove and discard two push-darts.



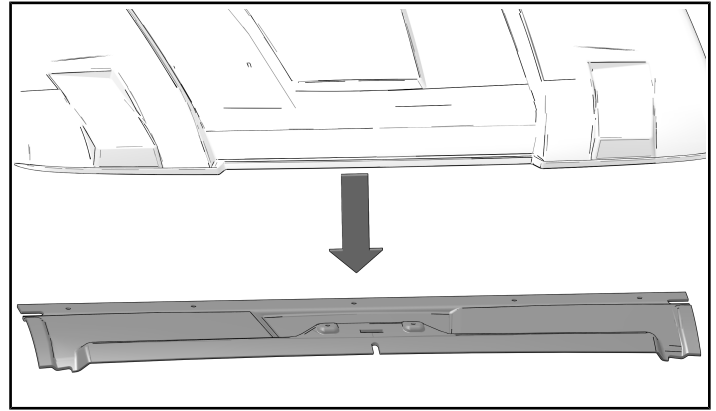
4. Remove rear roof liner.



5. Hold front roof liner up and remove and keep two screws and two washers near mirror tab.

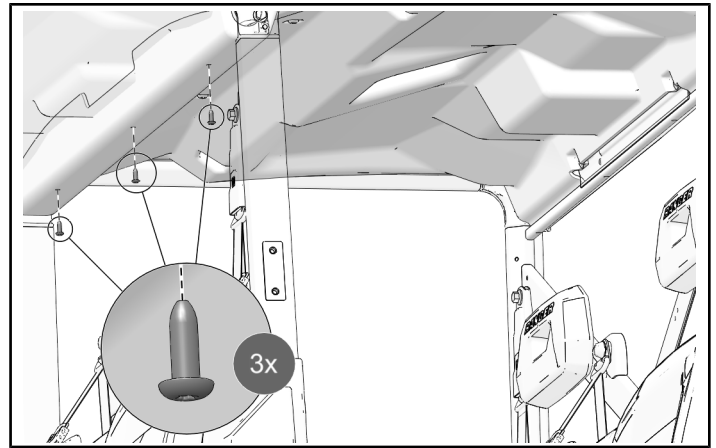


6. Remove front roof liner.

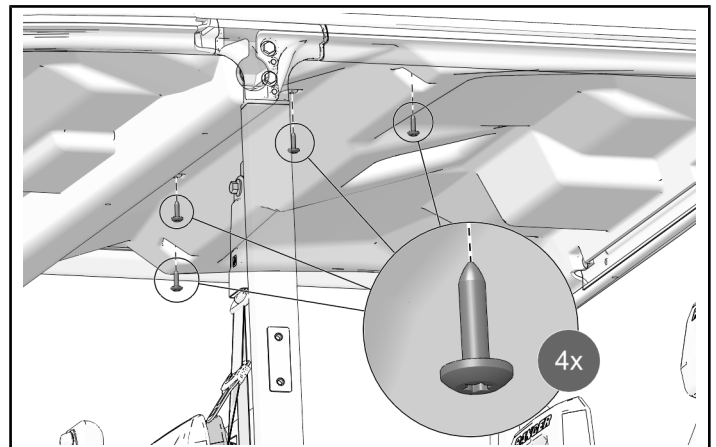


REAR ROOF LINER REMOVAL (CREW MODELS)

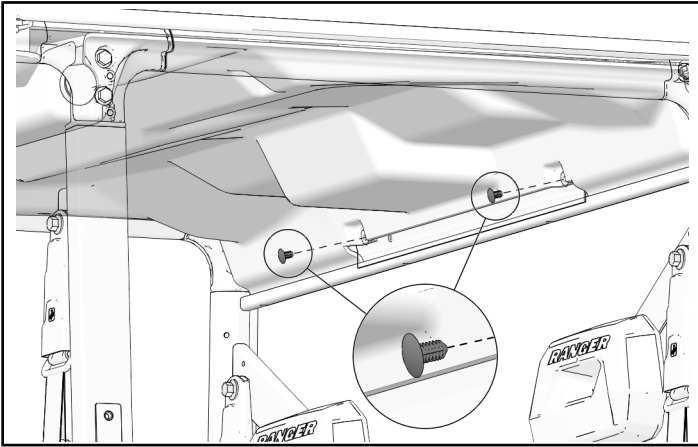
1. If installed, remove roof mounted speakers and/or dome light.
2. Remove and keep three screws from below center ROPS bar.



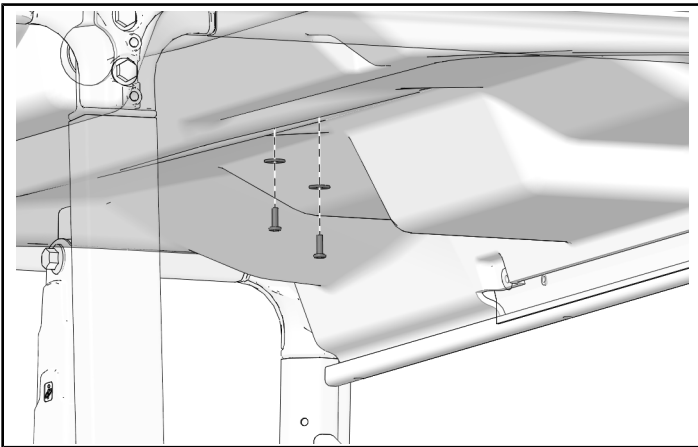
3. Remove and keep four screws from center of rear roof liner.



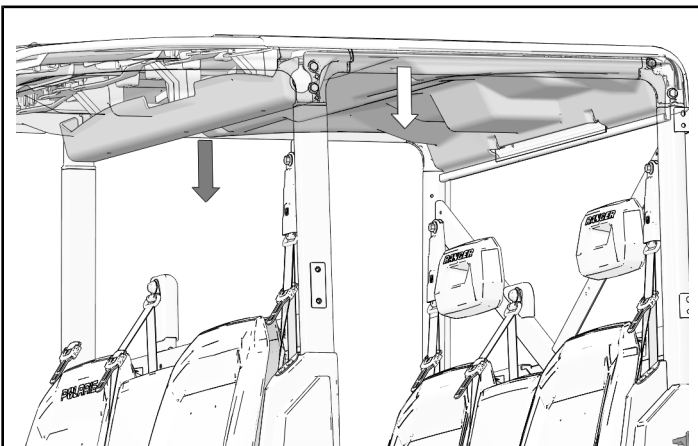
- Remove and keep two push darts from liner and upper rear ROPS bar.



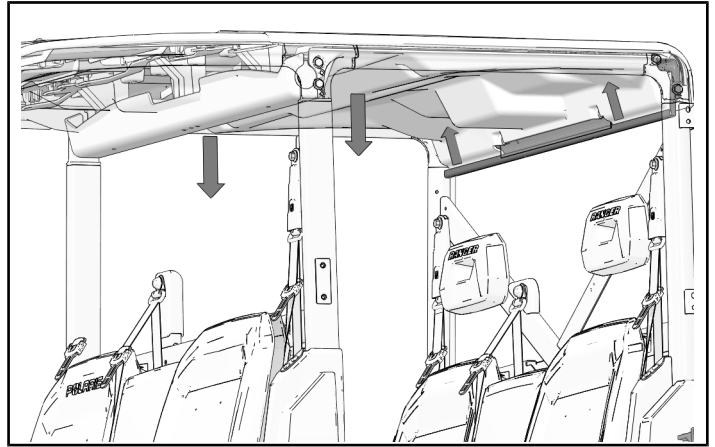
- Remove and keep two screws and two washers from center of rear roof liner.



- Carefully pull left-hand and right-hand edges of rear roof liner down from between ROPS and roof seal.



- Remove rear edge of roof liner from the roof support channel.



- Set rear roof liner aside.

ACCESSORY INSTALLATION

HARNES INSTALLATION — 2 SEAT MODELS

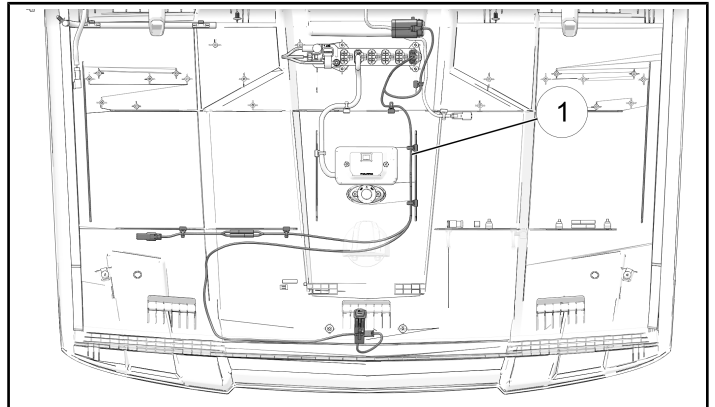
- Install harness ① on roof. Use roof ribs to secure harness with edge clips.

TIP

For ease of install, remove switch connector from harness.

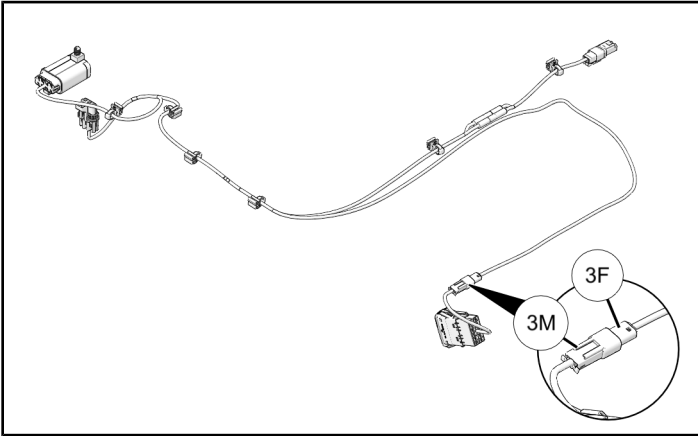
NOTICE

Routing will be different depending on desired install location.

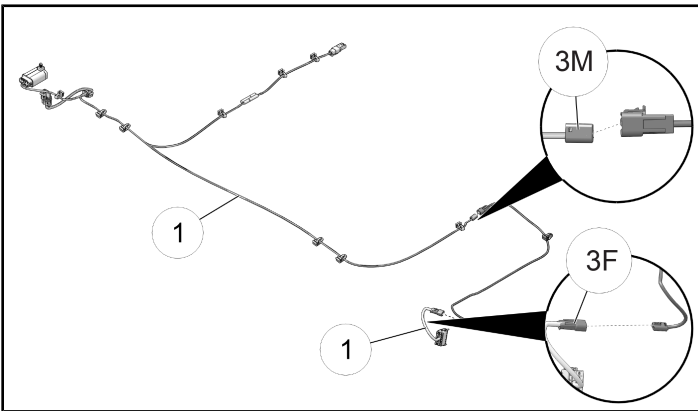


HARNESS INSTALLATION — CREW MODELS

1. Disconnect **3M** and **3F** connectors on harness ①.



2. Connect *Extension Harness Kit*, P/N 2890067 to harness ① at **3M** and **3F** connectors.



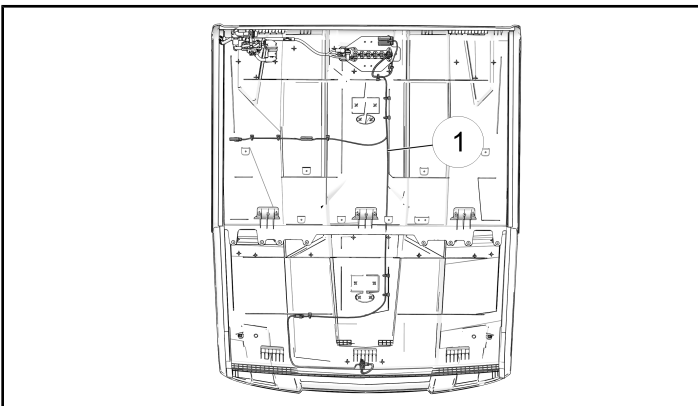
3. Install harness ① and extension on roof. Use roof ribs to connect edge clips.

TIP

For ease of install, remove switch connector from harness.

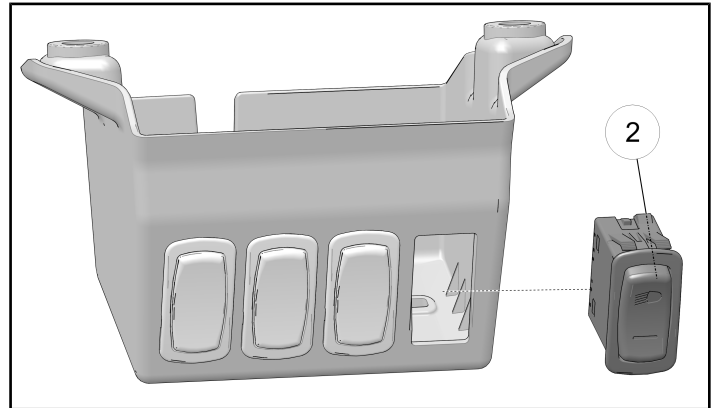
NOTICE

Routing will be different depending on desired install location.

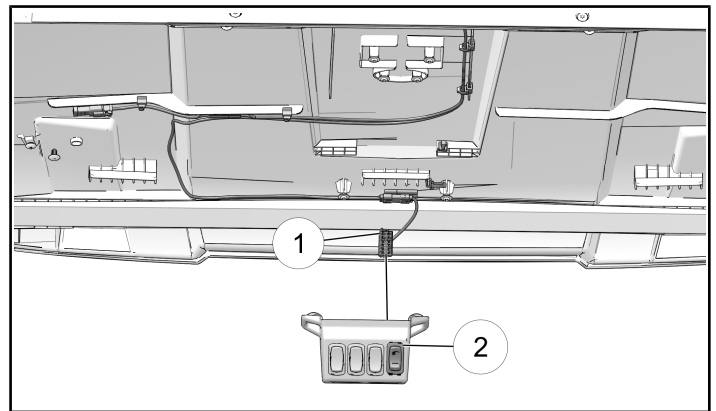


LIGHT SWITCH INSTALLATION

1. Remove desired switch blank from switch panel. Install light switch ② into switch panel.

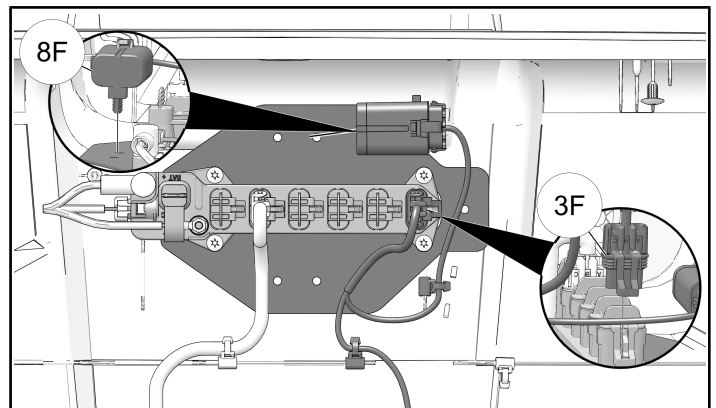


2. Connect harness ① to switch ②. Let switch panel hang down.



HARNESS CONNECTION

1. Connect harness connector **3F** to Pulse® bar. Connect harness connector **8F** to roof bracket.

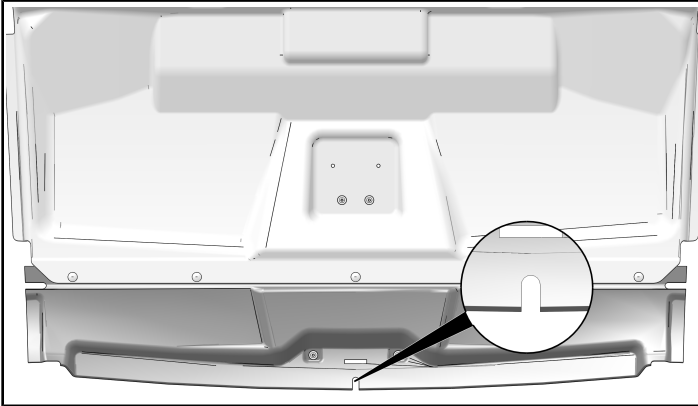


TRIM ROOF LINER

1. Route harness through cut out in roof liner to switch panel.

NOTICE

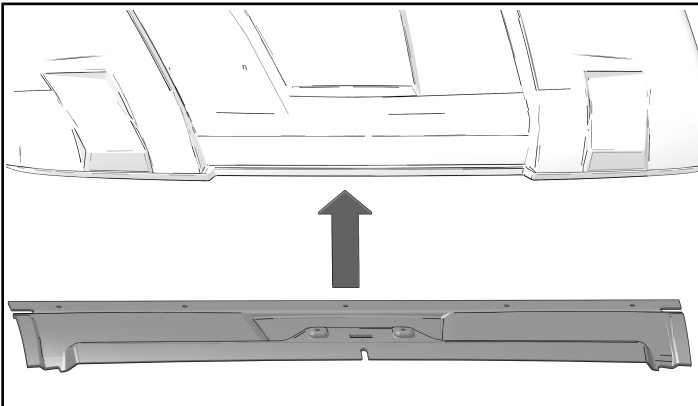
If routing multiple harnesses through cut out, increase cut out with knife/scissor for easier routing.



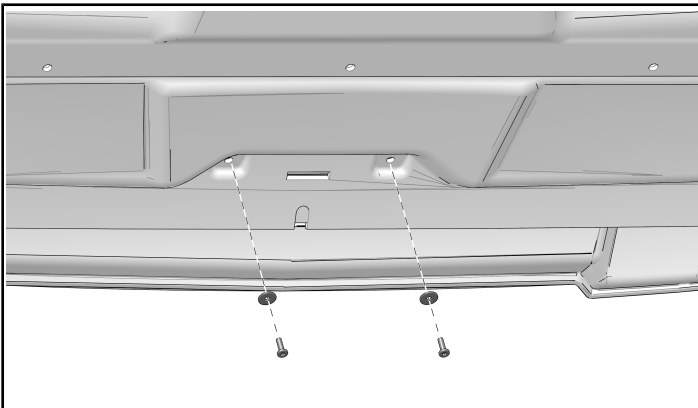
VEHICLE REASSEMBLY

ROOF LINER INSTALLATION

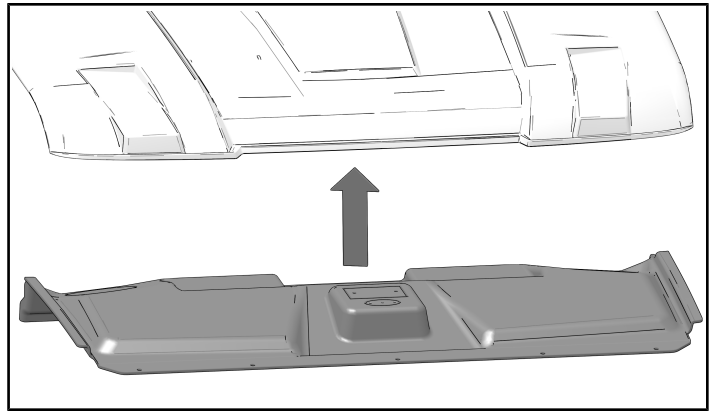
1. Put roof liner into place.



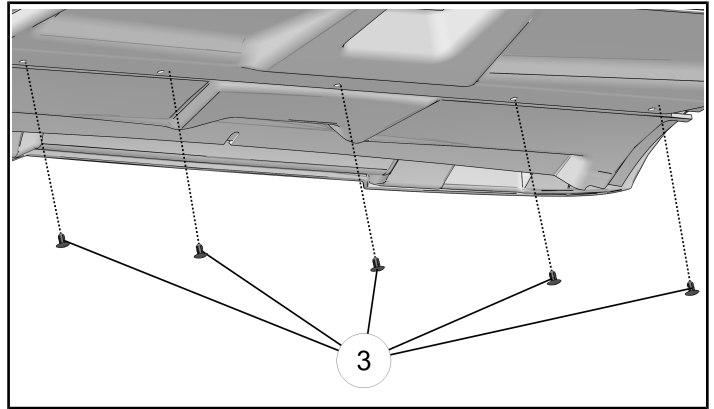
2. Hold front roof liner up and install two retained screws and two retained washers near mirror tab.



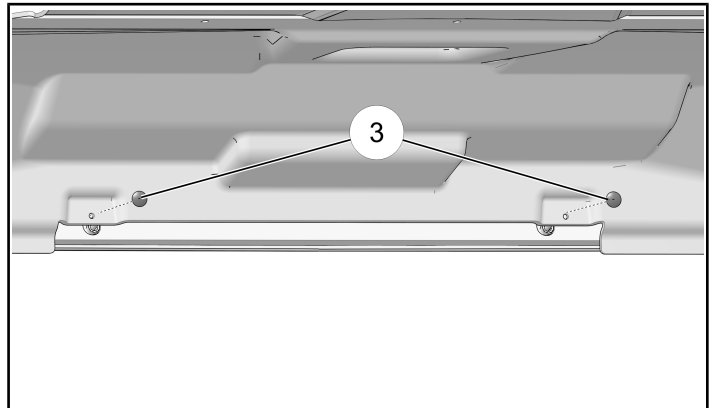
3. Put rear roof liner into place.



4. Hold rear roof liner up and install five push darts (3).

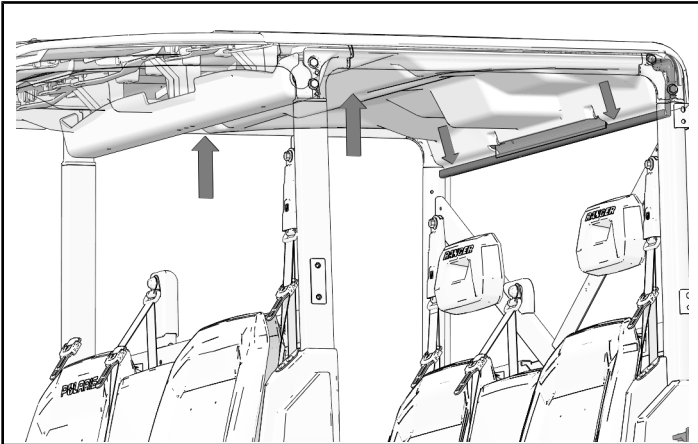


5. Hold rear roof liner up and install two push-darts (3).

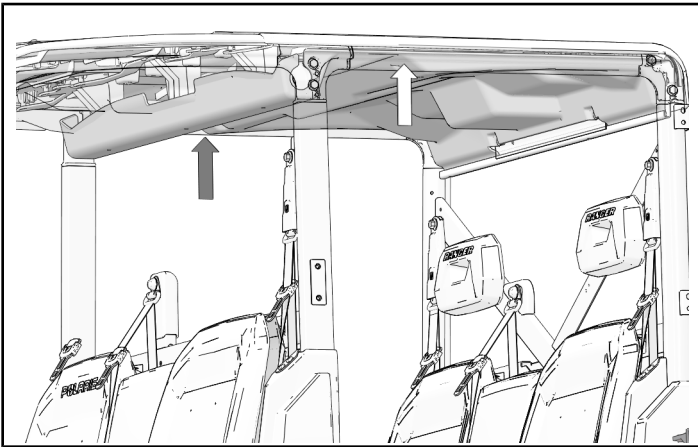


REAR ROOF LINER INSTALLATION (CREW MODELS)

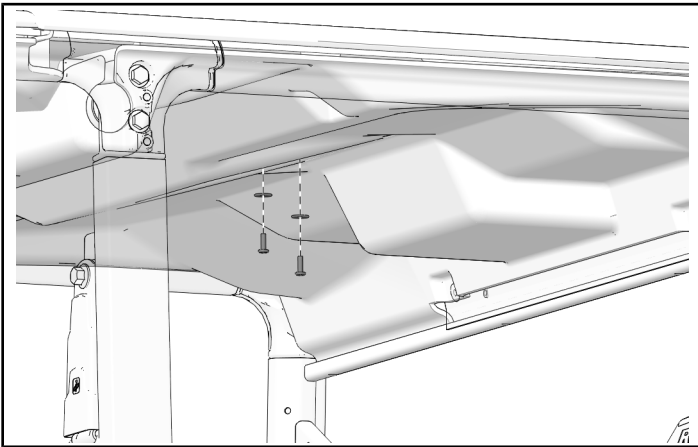
1. Install rear edge of roof liner into roof support channel.



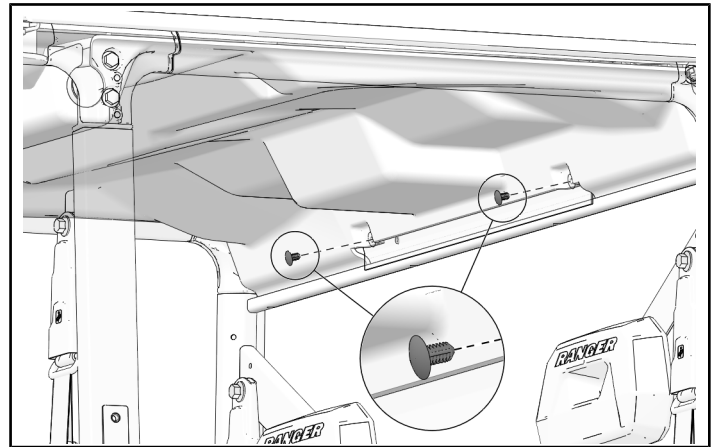
2. Carefully push left-hand and right-hand edges of rear roof liner up between ROPS and roof seal.



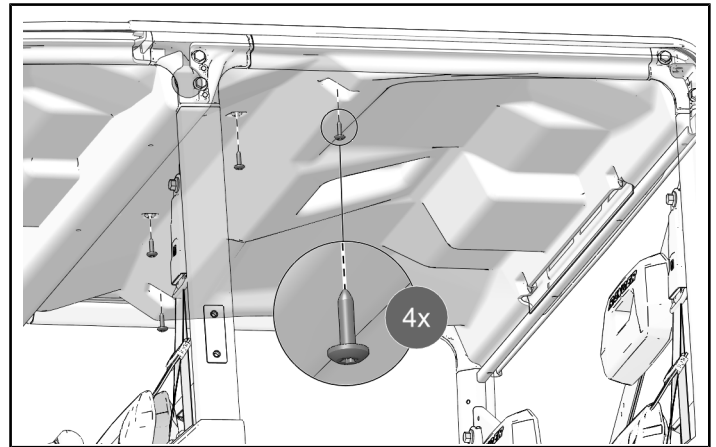
3. Install two retained screws and two retained washers into center of rear roof liner.



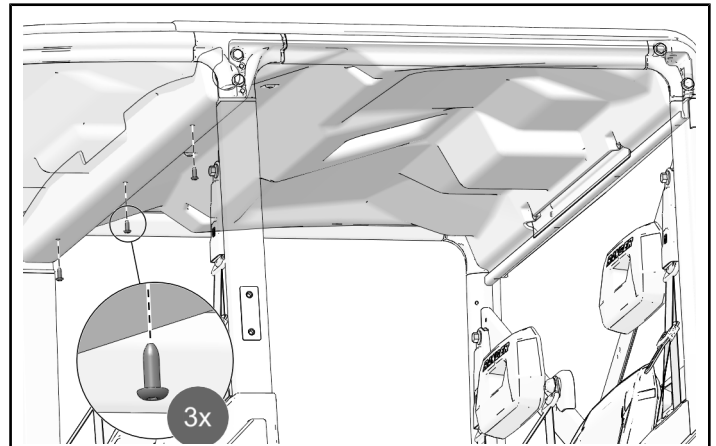
4. Install two retained push darts through liner and upper rear ROPS bar.



5. Install four retained screws into center of rear roof liner.



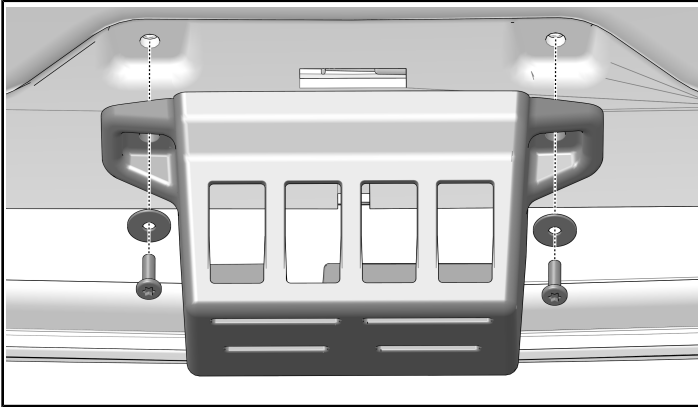
6. Install three retained screws through liner below center ROPS bar.



SWITCH PANEL INSTALLATION

1. Install switch panel, two washers, and two screws.
Tighten until fully seated.

Do not overtighten.



INSTRUCTION FEEDBACK FORM

A feedback form has been created for the installer to provide any comments, questions or concerns about the installation instructions. The form is viewable on mobile devices by scanning the QR code or by clicking [HERE](#) if viewing on a PC.

