

12V ADAPTER KIT



P/N 2889673

BEFORE YOU BEGIN

Read these instructions and check to be sure all parts and tools are accounted for. Please retain these installation instructions for future reference and parts ordering information.

APPLICATION

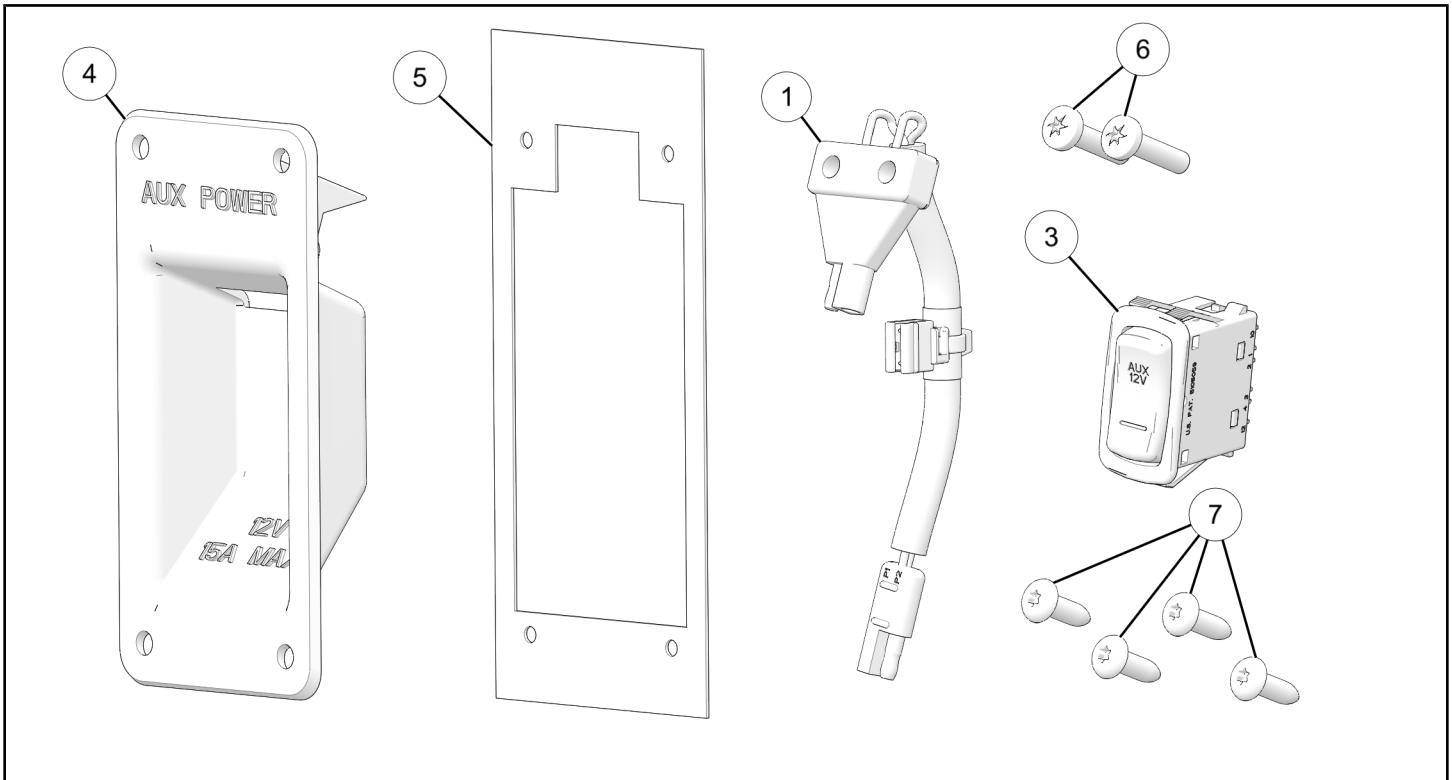
Verify accessory fitment at www.polaris.com.

REQUIRED SOLD SEPARATELY

Only parts for installation of the 12V Adapter Kit are included. For complete installation on Crew models, the following additional kit is required (sold separately):

- *Extension Harness, P/N 2890068*

KIT CONTENTS

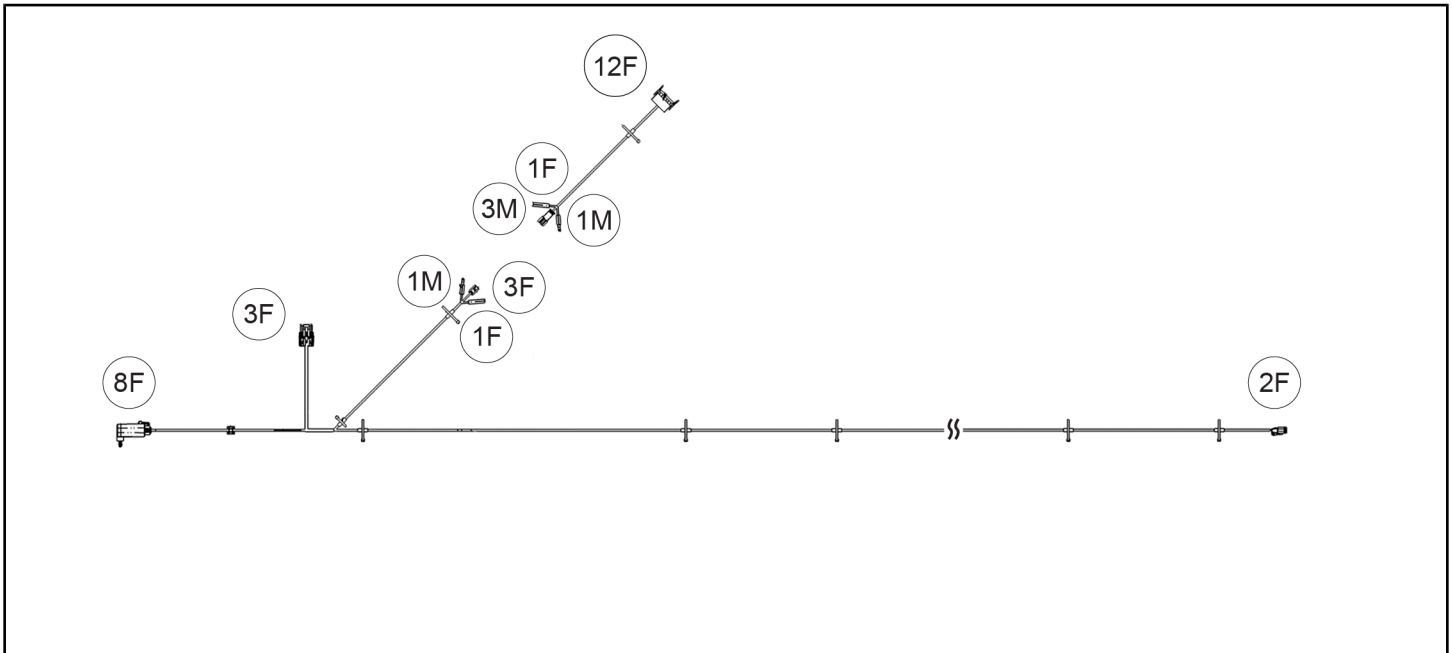


REF	QTY	PART DESCRIPTION	P/N AVAILABLE SEPARATELY
1	1	Cable – Connector, Molded, 12V Auxiliary	n/a
2	1	Harness – 12V Accessory (not shown)	n/a
3	1	Switch – Auxiliary Power	4080274–21
4	1	Housing – 12V Outlet	5458996
5	1	Decal – Template	n/a

REF	QTY	PART DESCRIPTION	P/N AVAILABLE SEPARATELY
6	2	Screw – Torx®, Pan Head, #14 x 1 in	7518158
7	4	Screw – Torx®, Truss Head, #14 x 3/4 in	7519045

HARNESS DETAIL

12V ACCESSORY BOX HARNESS ②



REF	PART DESCRIPTION	CONNECTS TO
8F	Fuse	n/a
3F	Vehicle Power Connector	Pulse® Bar
1M	Harness Connector	Dash Switch Connector
3F	Harness Connector	Dash Switch Connector
1F	Harness Connector	Dash Switch Connector
1F	Harness Connector	12V Accessory Outlet Connector
3M	Harness Connector	12V Accessory Outlet Connector
1M	Harness Connector	12V Accessory Outlet Connector
12F	Switch Connection	12V Dash Switch
2F	12V Outlet Connection	12V Accessory outlet

Example: 16F = 16 pin, Female / 16M = 16 pin, Male (Male terminal fits inside female terminal)

TOOLS REQUIRED

- Safety Glasses
- Drill
- Drill Bit:
 - 9/64 in (4.6 mm)
- Pliers, Push Pin Rivet
- Reciprocating Saw or Jig Saw
- Screwdriver Set, Torx®
- Socket Set, Metric
- Utility Knife/Cutting Tool

IMPORTANT

Your 12V Adapter Kit is exclusively designed for your vehicle. Please read the installation instructions thoroughly before beginning. Installation is easier if the vehicle is clean and free of debris. For your safety, and to ensure a satisfactory installation, perform all installation steps correctly in the sequence shown.

INSTALLATION INSTRUCTIONS

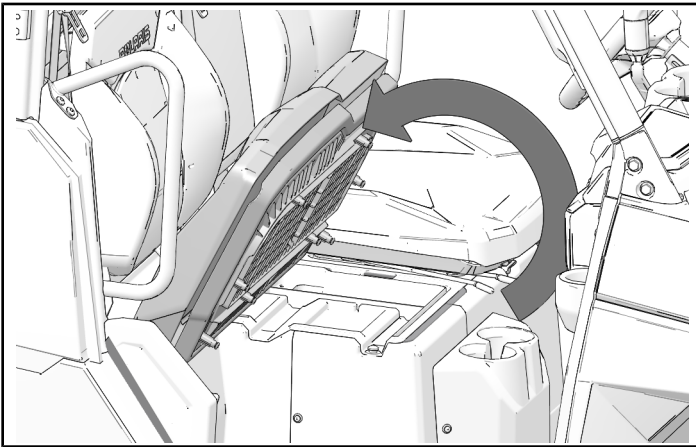
VEHICLE PREPARATION

GENERAL

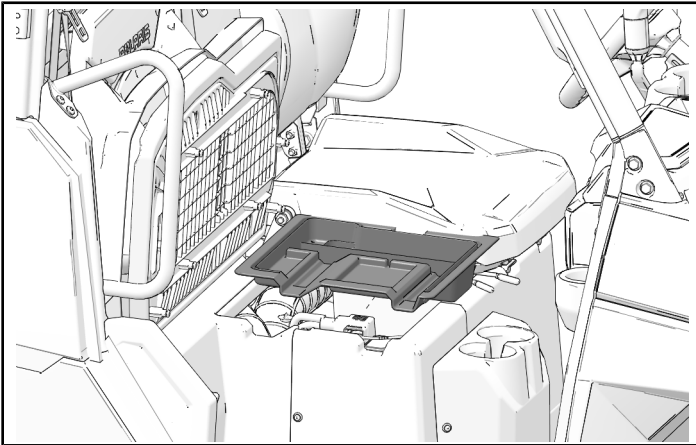
1. Park vehicle on a flat surface.
2. Shift vehicle into PARK.
3. Turn key to OFF position and remove key.

REMOVE STORAGE BIN

1. Lift passenger seat.

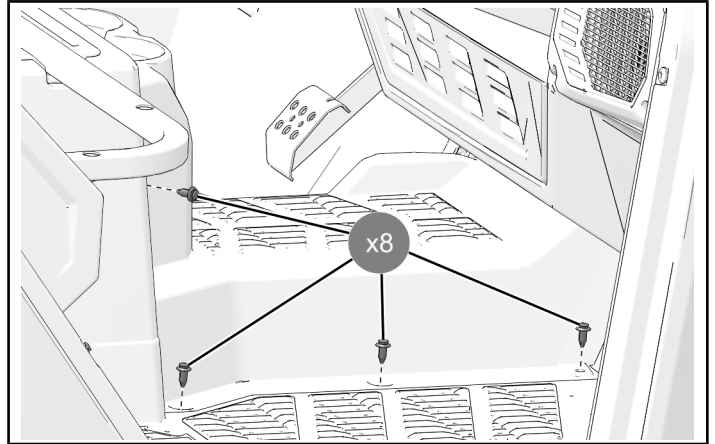


2. Remove storage bin.

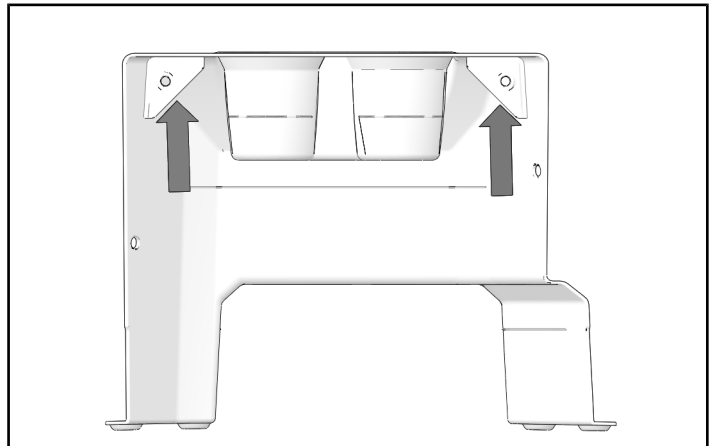
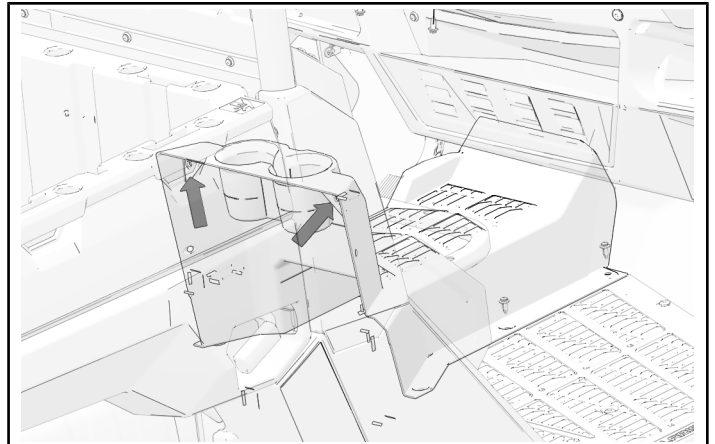


REMOVE TUNNEL COVER

1. Remove eight push pin rivets from tunnel cover.

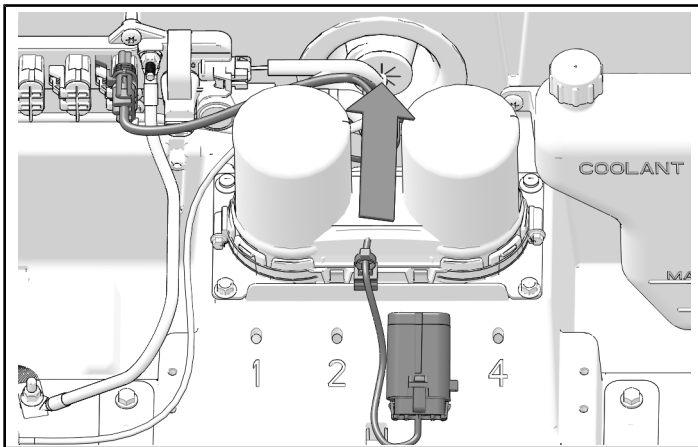
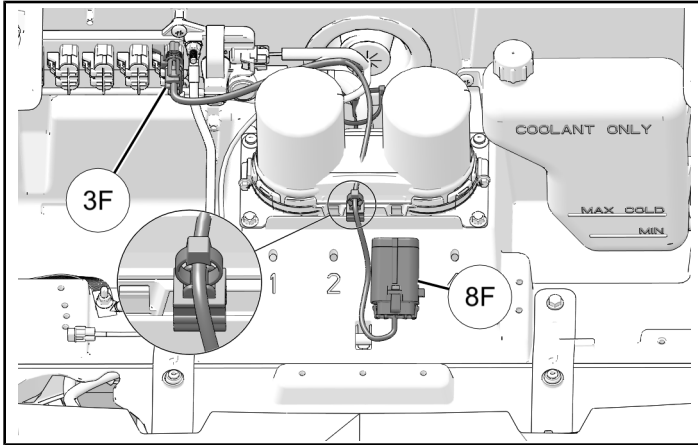


2. Remove two fasteners located in under seat/storage bin area. Remove tunnel cover.

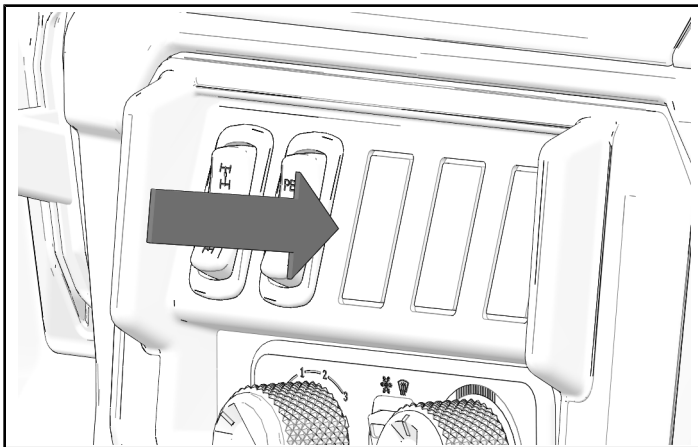


ACCESSORY INSTALLATION

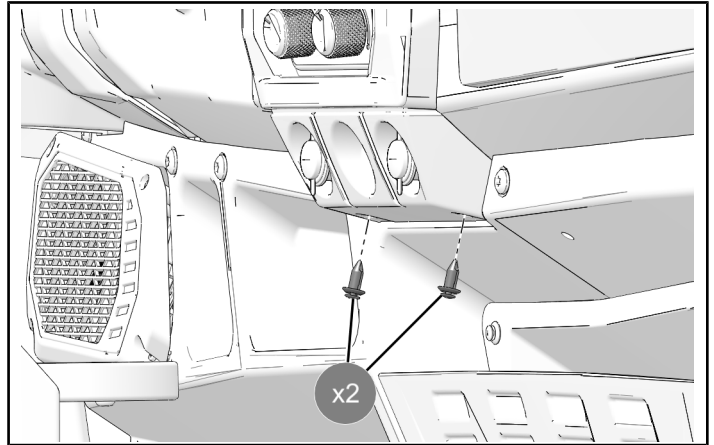
1. Locate end of harness with **3F** and **8F**. Connect **3F** to Pulse® bar. Attach **8F** in position 3 using push pin connector. Attach edge clip to vehicle in position shown. Route end of harness with **12F** switch connection through grommet to interior of vehicle.



2. Cut out one of the blank switch hole openings in the dash.



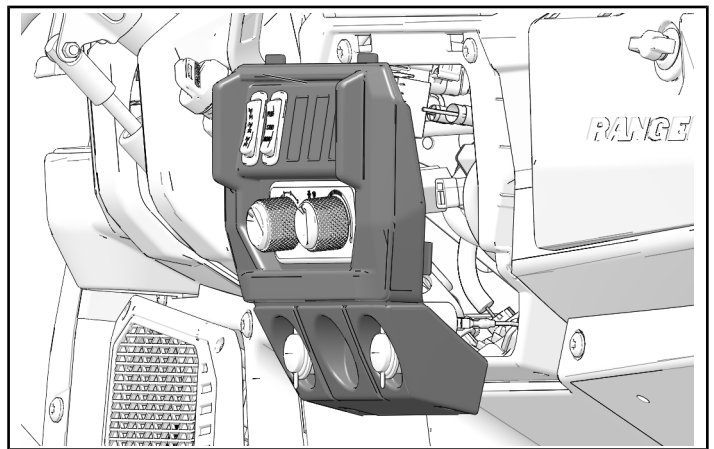
3. Remove two push pin rivets at bottom of center dash panel.



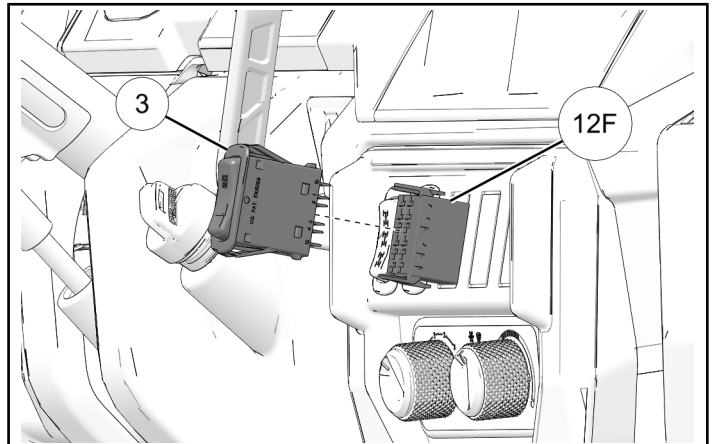
4. Pull center dash panel down, then away from dash to gain access to harness.

NOTICE

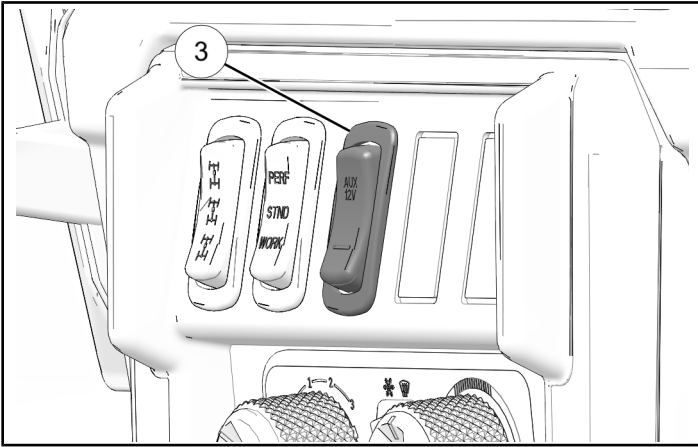
Take care with controls and electrical connections when moving center dash panel away from dash.



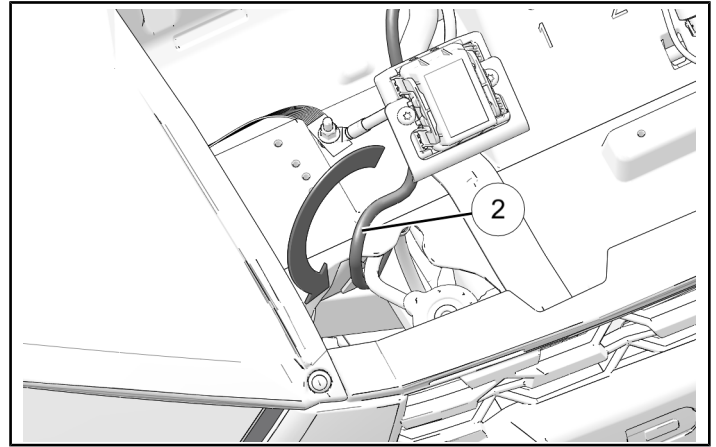
5. Pull connector **12F** through switch hole in dash and connect to 12V switch **3**.



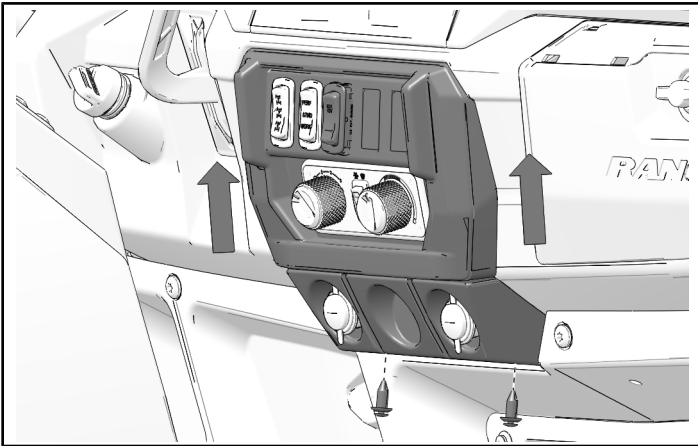
6. Install switch ③ in switch hole opening. Push until it clicks into place.



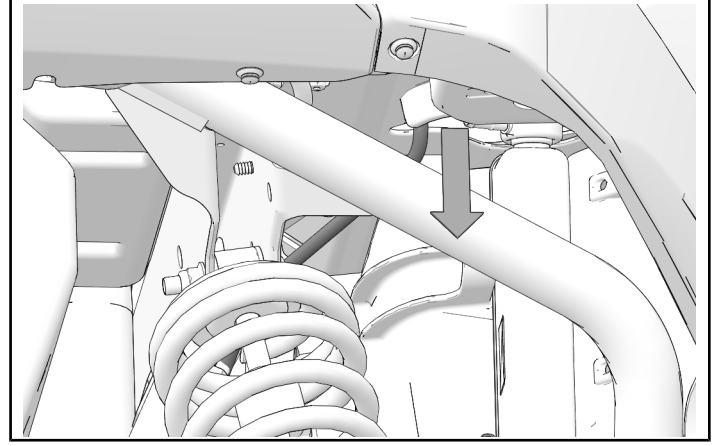
9. Route harness ② down through opening at radiator cap.



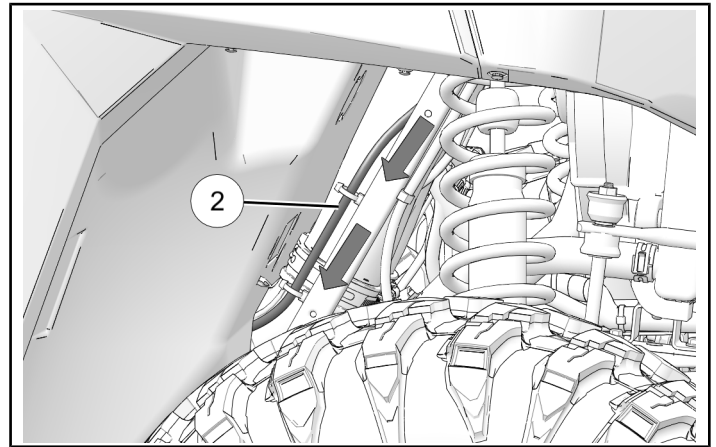
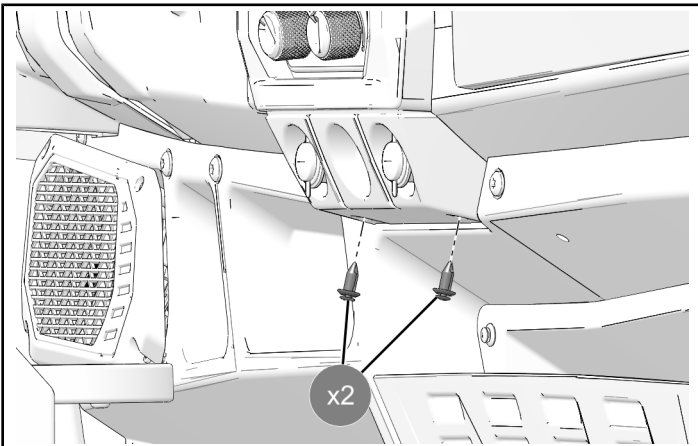
7. Install center dash panel. Lift into place. Make sure two retainer tabs at top of panel engage in slots.



10. Route harness ② along frame. Attach using cable ties.



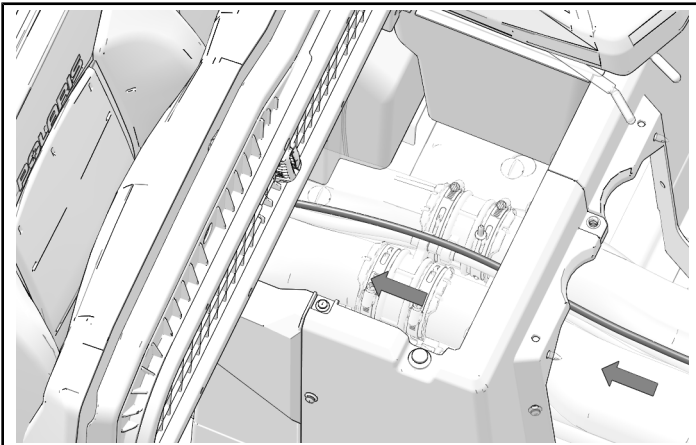
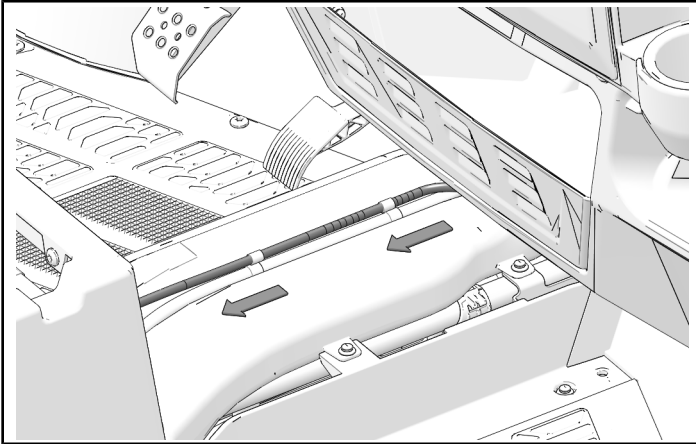
8. Install two push pin rivets.



11. Route harness along center hump as shown.
Attach to existing wiring using cable ties.

NOTICE

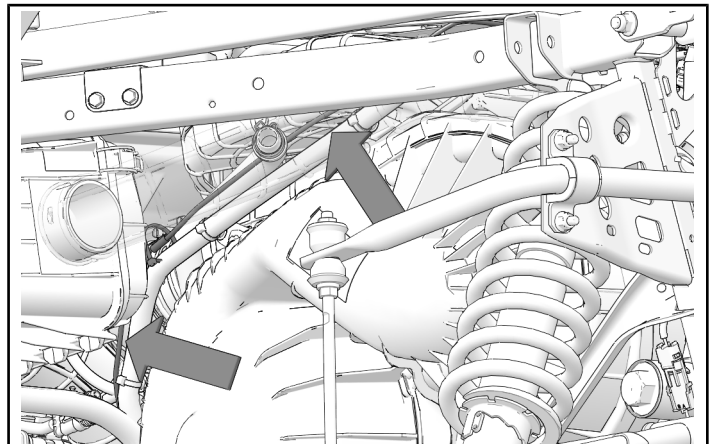
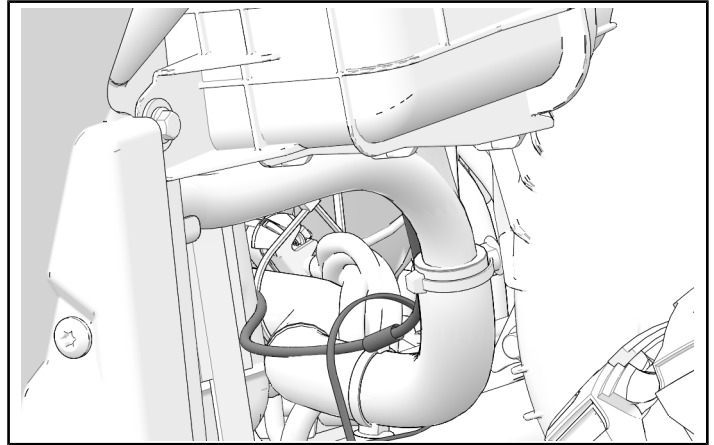
Make sure wiring is attached to existing harness.
Make sure wiring will not become pinched under
center hump cover.



12. Route harness toward rear of vehicle. Attach to
existing wiring using cable ties.

NOTICE

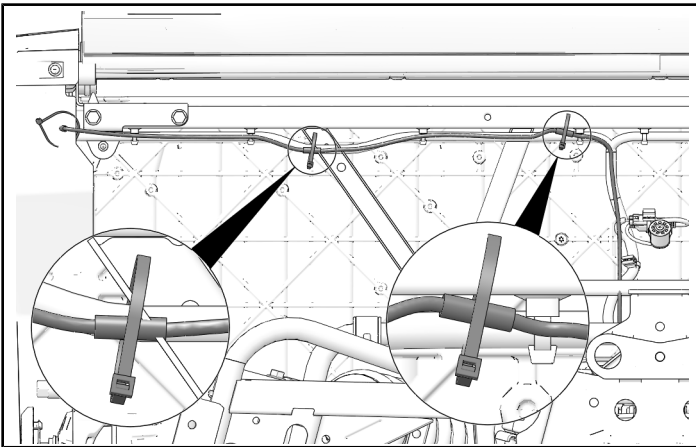
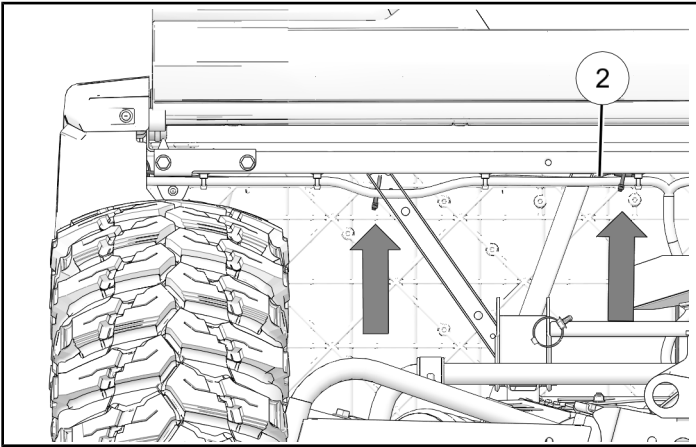
Some parts hidden for clarity.



13. Route harness ② along taillight wiring. Attach with cable ties.

IMPORTANT

If installing on Crew model, connect Crew harness extension to end of kit harness ② connector **2F** to make harness longer.



14. Make sure harness ② is routed away from hot or moving parts. Make sure harness is attached using cable ties.

IMPORTANT

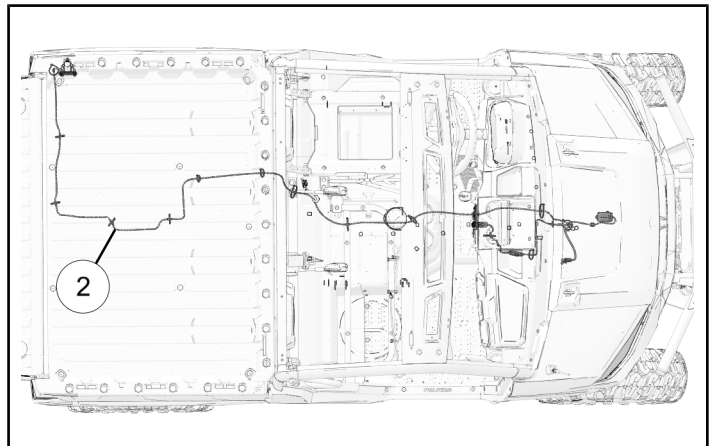
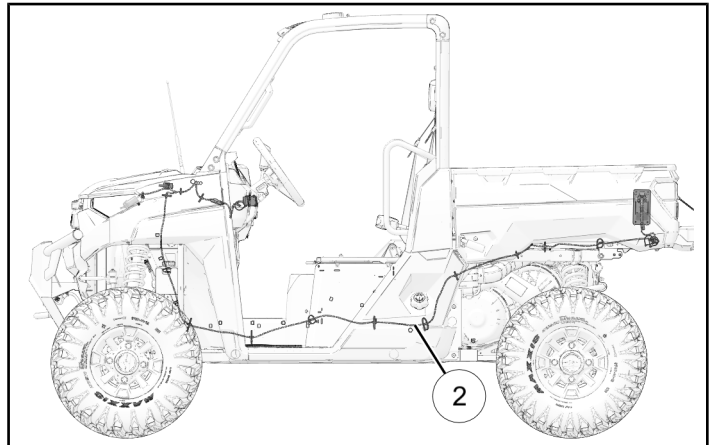
Make sure wiring does not contact hot or moving parts.

NOTICE

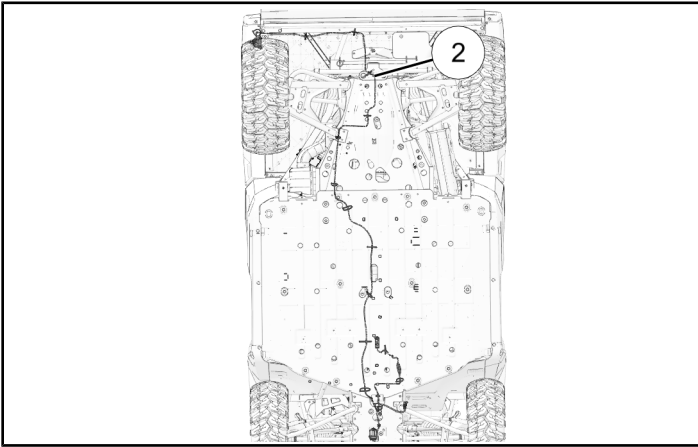
Installation on Crew models will require extension harness 2890068.

TIP

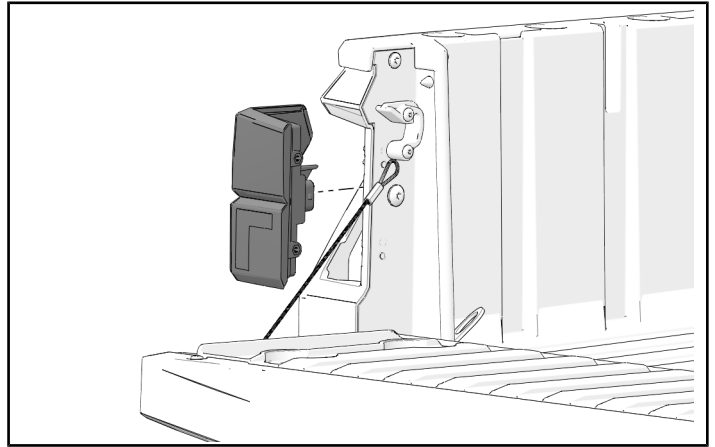
Route wiring along tail light wiring harness.



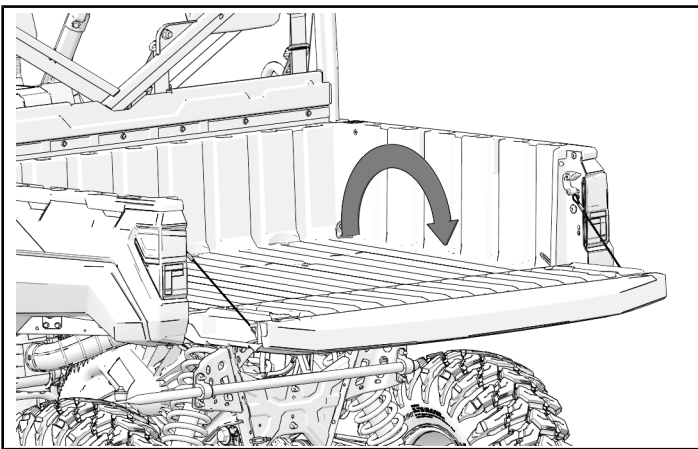
15. Route harness ② along tail light wiring at center of vehicle and over to left tail light area.



18. Pull tail light out of opening and disconnect wiring. Remove tail light.



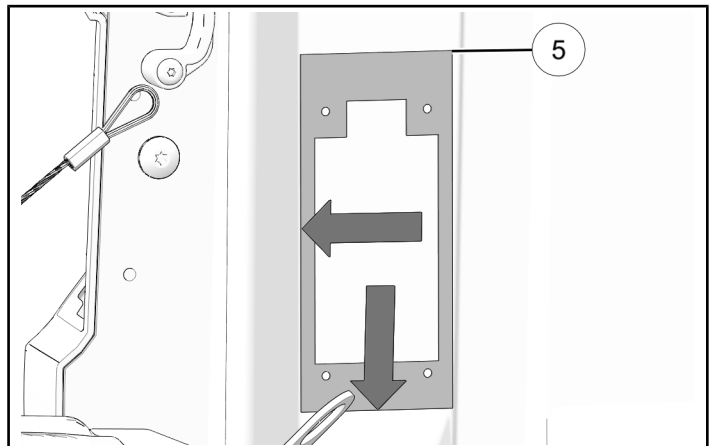
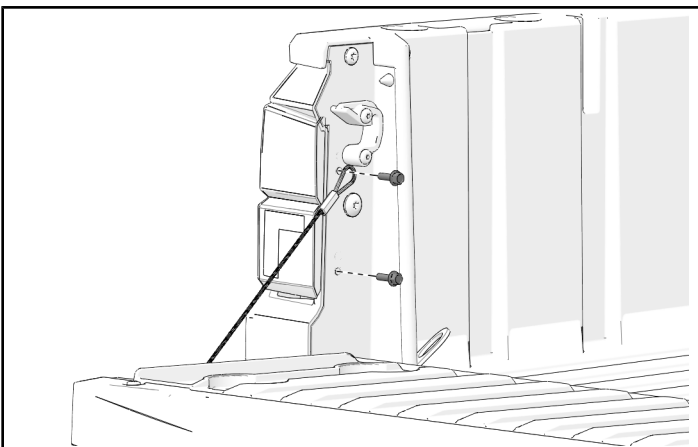
16. Open rear gate.



19. Install template ⑤ in left rear corner of cargo box. Make sure side and bottom of template line up with contours in corners of box. Mark cutout edges and hole locations using scribe tool or paint marker.

NOTICE
Leave template installed after marking hole locations.

17. Remove two tail light screws.



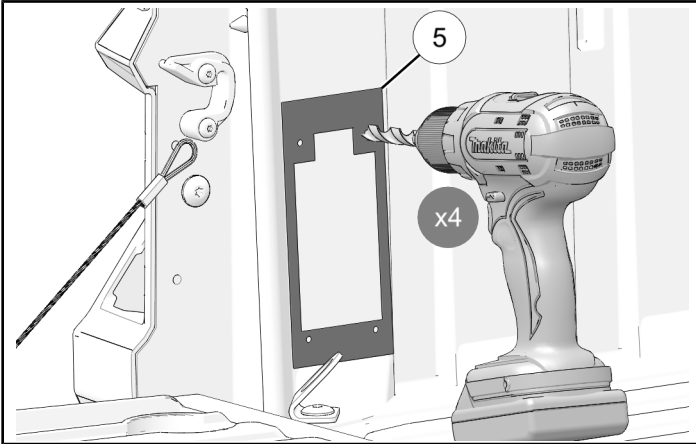
20. Drill four holes.

NOTICE

Leave template installed after drilling holes.

MEASUREMENT

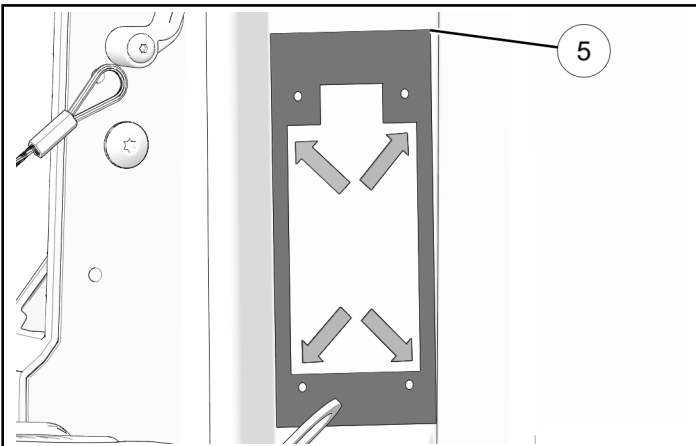
Drill Bit: **9/64 in (4.6 mm)**



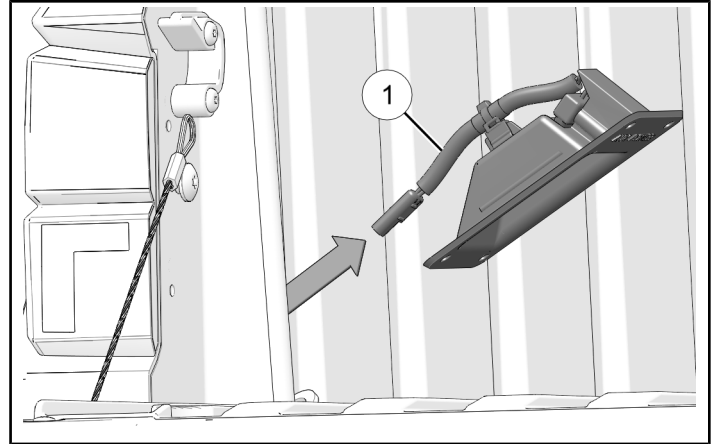
21. Make sure cutout area inside template is well-marked. Remove template and cut along marked lines.

TIP

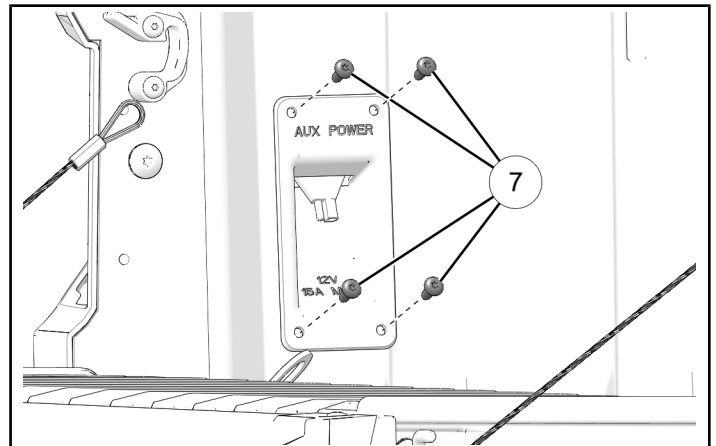
Use a jig saw to cut cargo box.



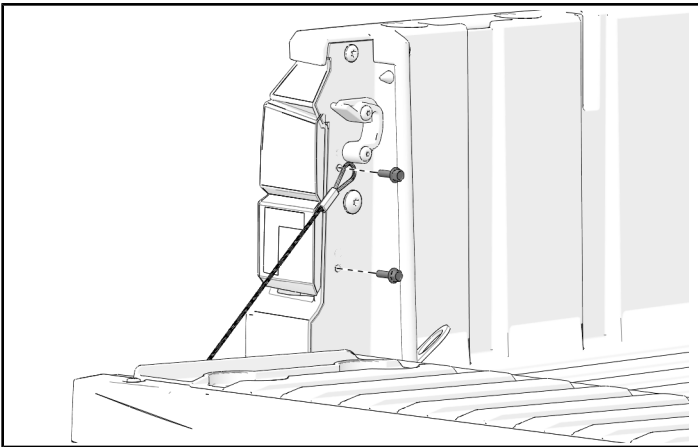
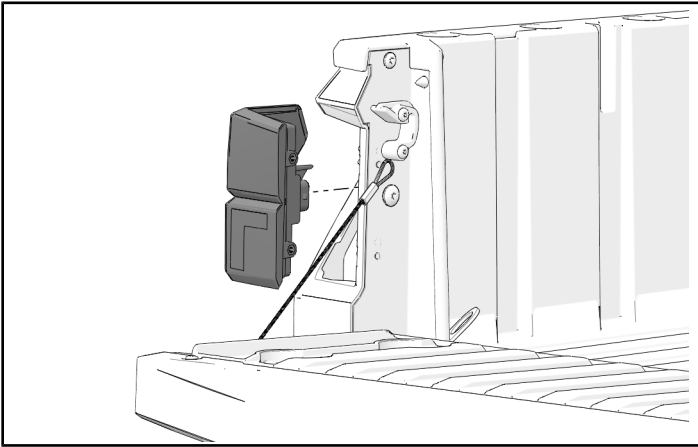
22. Route end of harness (2) (not shown) with connector 2F under cargo box and through hole. Connect to cable (1).



23. Install 12V Accessory box assembly using screws (7). Torque until fully seated.

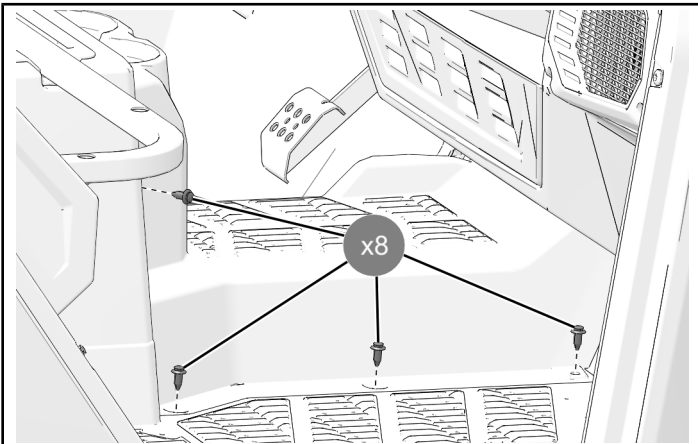


24. Connect tail light wiring and install tail light. Torque screws until fully seated.

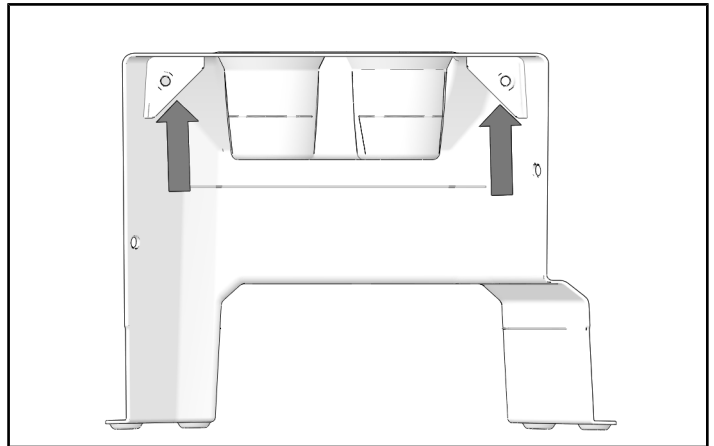
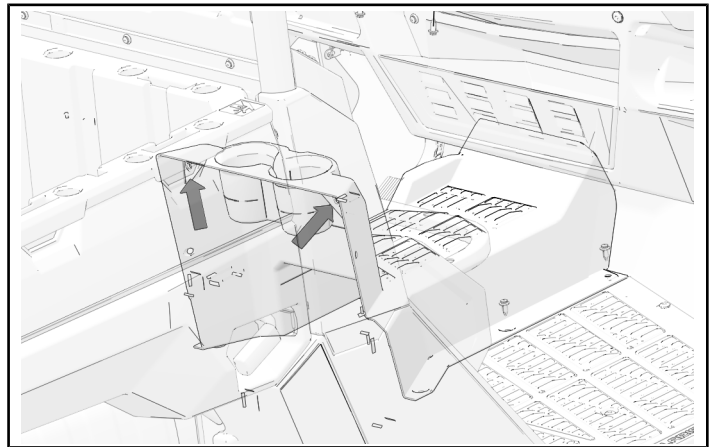


INSTALL TUNNEL COVER

1. Install tunnel cover and attach using eight tunnel cover push pin rivets.

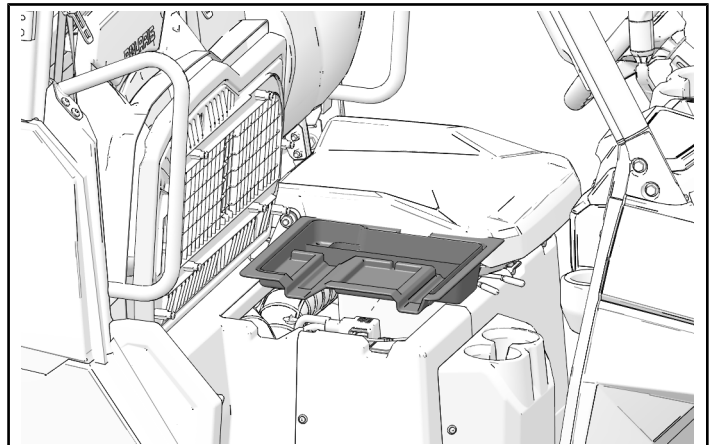


2. Install two fasteners located under seat area.



INSTALL STORAGE BIN

1. Install storage bin. Fold seat down.



INSTRUCTION FEEDBACK FORM

A feedback form has been created for the installer to provide any comments, questions or concerns about the installation instructions. The form is viewable on mobile devices by scanning the QR code or by clicking [HERE](#) if viewing on a PC.

