

# RAIL D-RING KIT



P/N 2890894

## MISSING OR DAMAGED PARTS

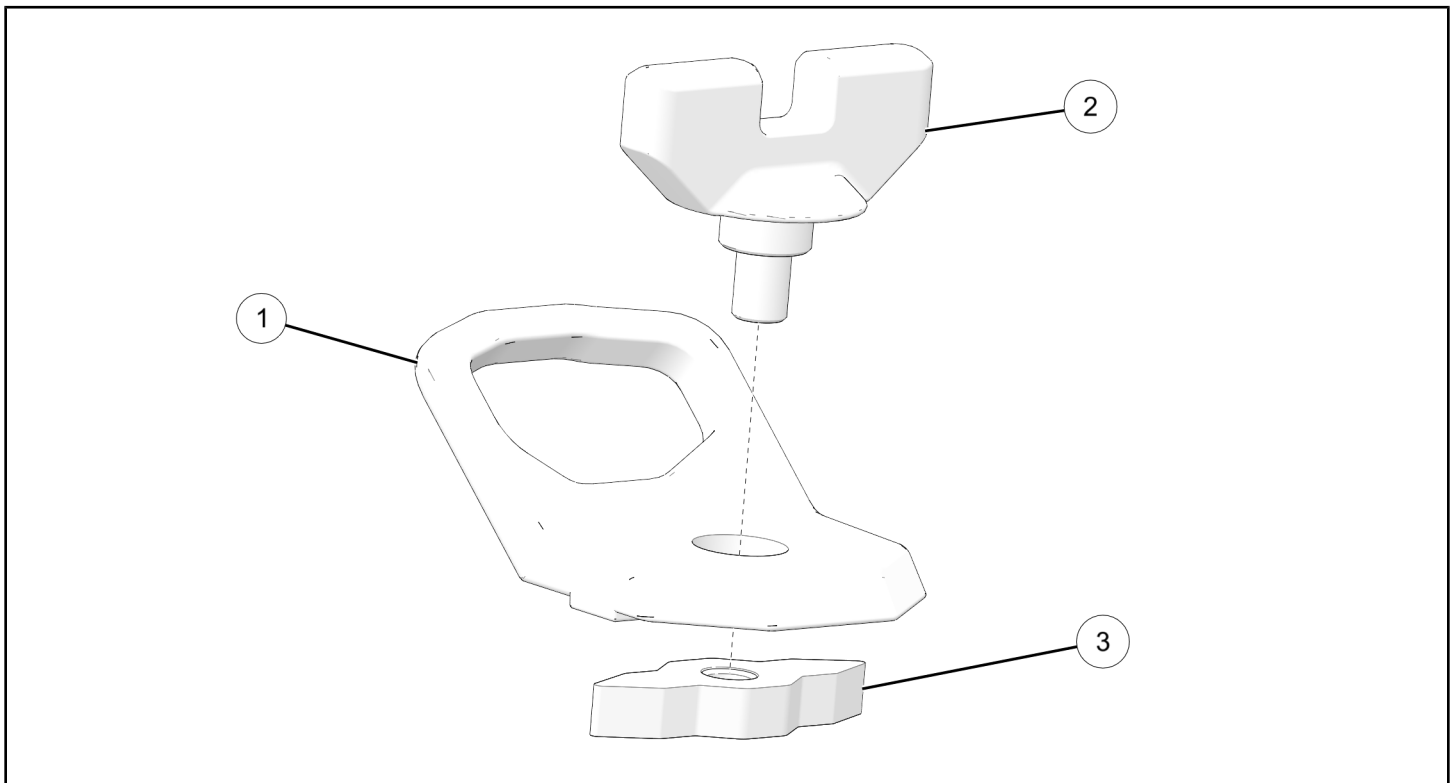
Before beginning assembly, inspect the kit and its component(s) to be sure all parts and tools are accounted for and not damaged. If missing parts or parts are damaged, please contact your Selling Dealer for assistance.

If your accessory was purchased online, please contact POLARIS® customer service at **1-800-POLARIS** (US & Canada only).

## APPLICATION

Verify accessory fitment at [www.polaris.com](http://www.polaris.com).

## KIT CONTENTS



REF	QTY	PART DESCRIPTION	P/N AVAILABLE SEPARATELY
1	2	Rail Tiedown Clamp	n/a
2	2	Wing Screw M8 x 1.25 x 17.25 mm	7528053
3	2	T-Nut M8 x 1.25 mm	n/a

## TOOLS REQUIRED

- Safety Glasses
- Screwdriver, Phillips

## IMPORTANT

Your Rail D-Ring Kit is exclusively designed for your vehicle. Please read the installation instructions thoroughly before beginning. Installation is easier if the vehicle is clean and free of debris. For your safety, and to ensure a satisfactory installation, perform all installation steps correctly in the sequence shown.

## INSTALLATION INSTRUCTIONS

### VEHICLE PREPARATION

#### GENERAL

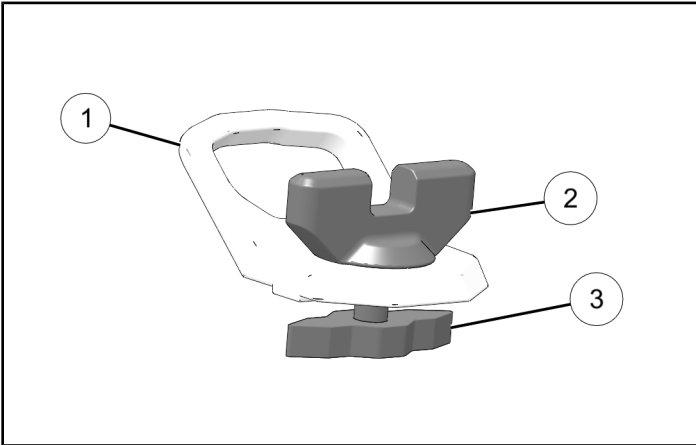
1. Park vehicle on a flat surface.
2. Shift vehicle into PARK.
3. Turn key to OFF position and remove key.

### ACCESSORY INSTALLATION

#### NOTICE

Box rail installation shown, other installations similar.

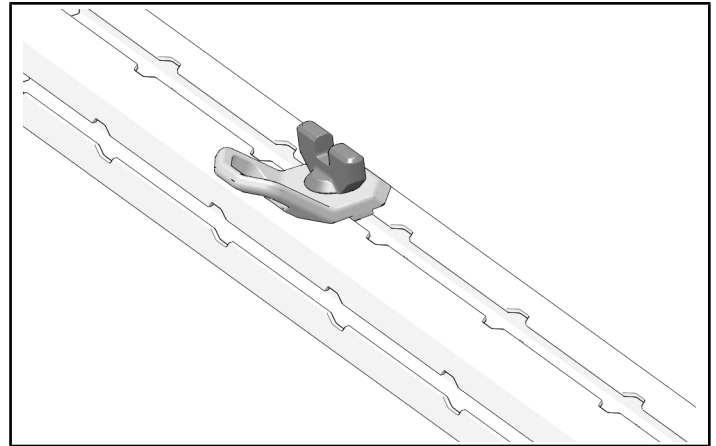
1. Loosely assemble clamp ①, wing screw ②, and T-nut ③.



2. Insert the T-nut through one of the port openings in the rail. Slide clamp assembly to the desired location on the rail. Tighten wing screw until fully clamped.

#### NOTICE

A screwdriver can be inserted through the top keyway on wing screw to tighten the clamp.



## OPERATION

#### IMPORTANT

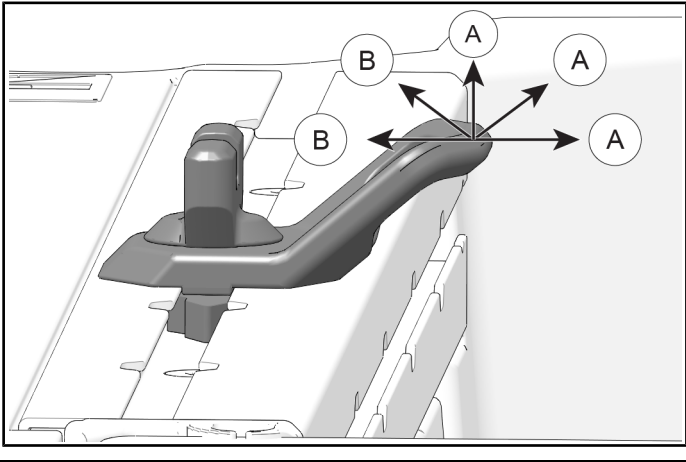
Read and understand the following operating instructions to avoid personal injury or vehicle damage.

- Use minimum of two D-rings for each 50 lb (23 kg) of cargo.
- Do not exceed strap manufacturer's recommended load.
- Do not use tools to tighten ratchet strap.
- Attach only one hook to each D-ring.

- Loop of D-ring must point in direction of load.

### NOTICE

See illustration. Arrows Ⓐ indicate acceptable directions for load. Arrows Ⓑ indicate unacceptable directions for load.



- If using P/N 2889237 *Platform Rack Kit*, do not exceed 150 lb (68 kg) of load on rack.
- If using P/N 2889590 *Platform Rack Kit*, do not exceed 75 lb (34 kg) of load on rack.