

BOX LIFT KIT



P/N 2889768

MISSING OR DAMAGED PARTS

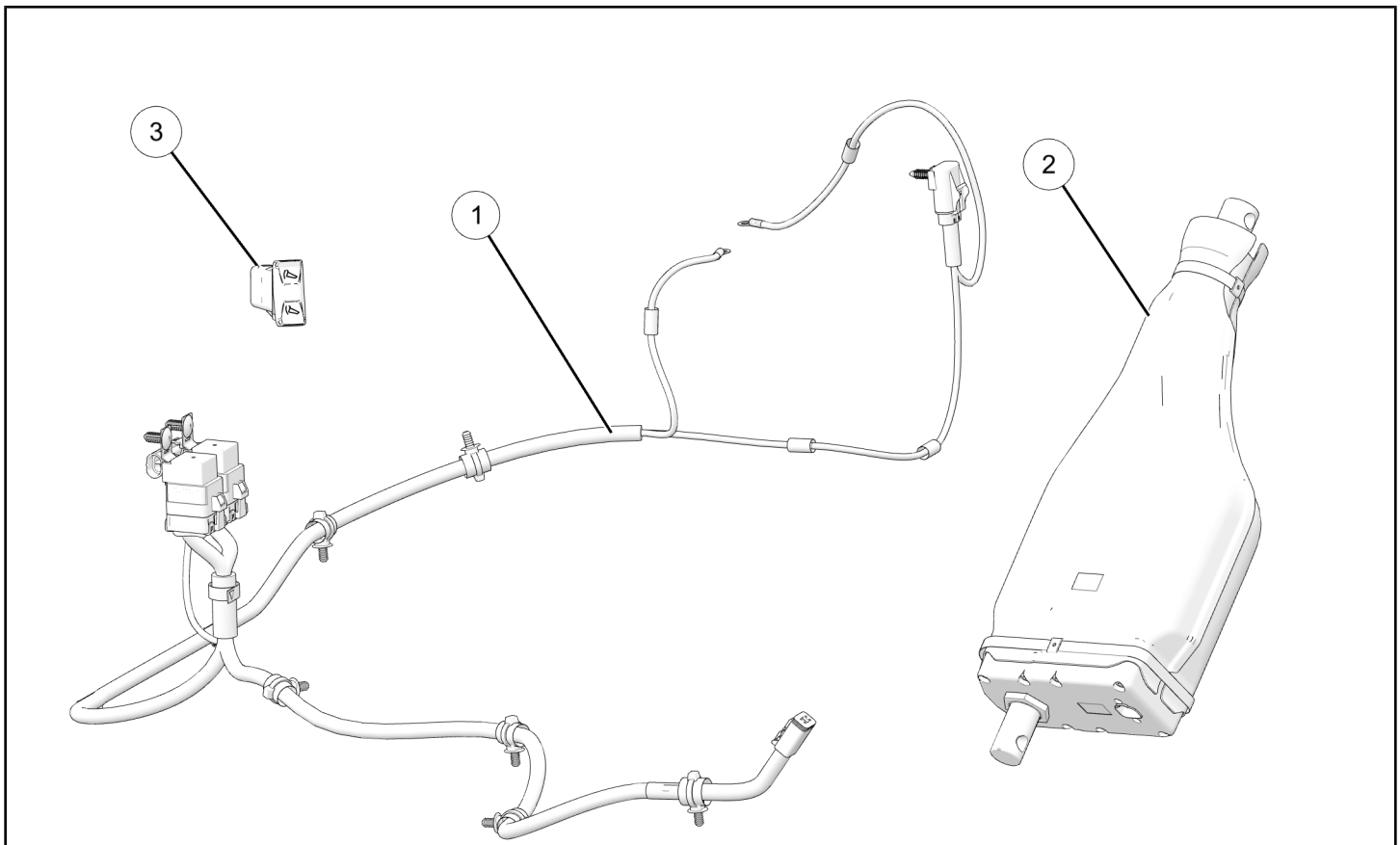
Before beginning assembly, inspect the kit and its component(s) to be sure all parts and tools are accounted for and not damaged. If missing parts or parts are damaged, please contact your Selling Dealer for assistance.

If your accessory was purchased online, please contact POLARIS® customer service at **1-800-POLARIS** (US & Canada only).

APPLICATION

Verify accessory fitment at www.polaris.com.

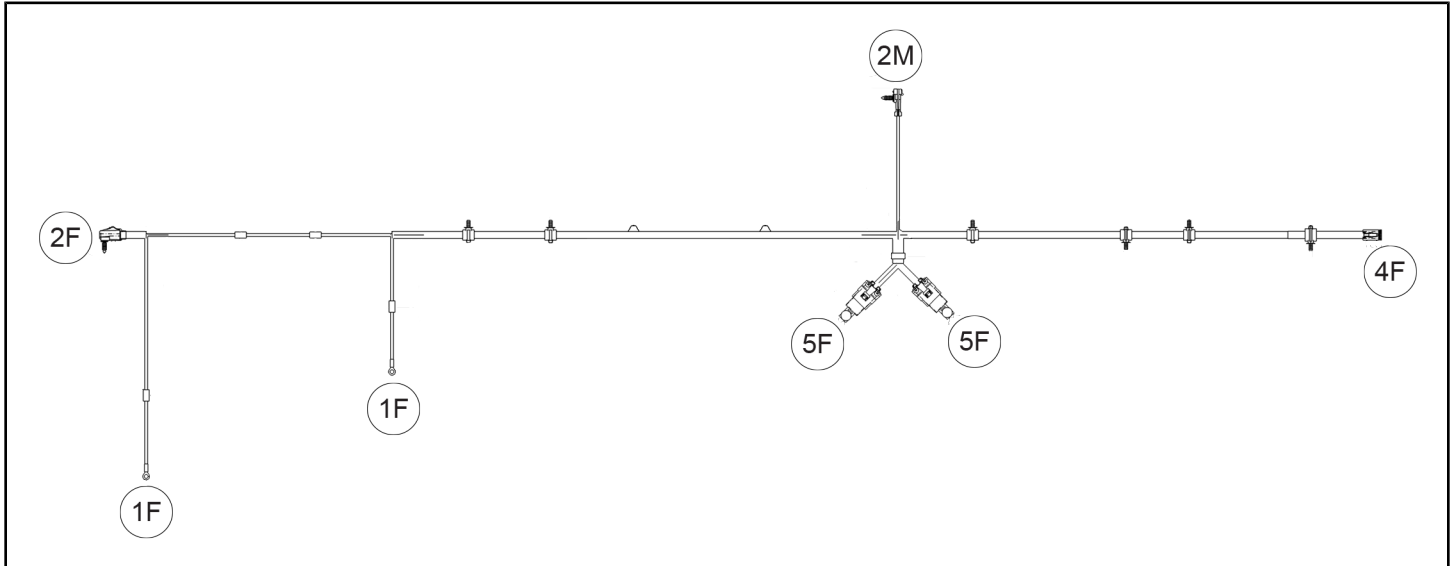
KIT CONTENTS



REF	QTY	PART DESCRIPTION	P/N AVAILABLE SEPARATELY
1	1	Harness, Box Lift	2417450
2	1	Assembly, Box Lift Actuator	2638947
3	1	Switch, Box Lift	4080801-24

HARNES DETAIL

BOX LIFT HARNES ①



REF	PART DESCRIPTION	CONNECTS TO
2F	Connector, Sealed, Lift Fuse, Black	n/a
2M	Connector, Sealed, Black	Chassis Harness
4F	Connector, Standard, Sealed, Gray	Box Lift Actuator ②
5F	Connector, Down Relay, Black	n/a
5F	Connector, Up Relay, Black	n/a
1F	Terminal Ring	Battery, Negative
1F	Terminal Ring	Battery, Positive

Example: 16F = 16 pin, Female / 16M = 16 pin, Male (Male terminal fits inside female terminal)

TOOLS REQUIRED

- Safety Glasses
- Pliers, Push Pin Rivet
- Screwdriver Set, Torx®
- Socket Set, Metric
- Socket Set, Torx® Bit
- Torque Wrench
- Wrench Set, Metric

IMPORTANT

Your Box Lift Kit is exclusively designed for your vehicle. Please read the installation instructions thoroughly before beginning. Installation is easier if the vehicle is clean and free of debris. For your safety, and to ensure a satisfactory installation, perform all installation steps correctly in the sequence shown.

INSTALLATION INSTRUCTIONS

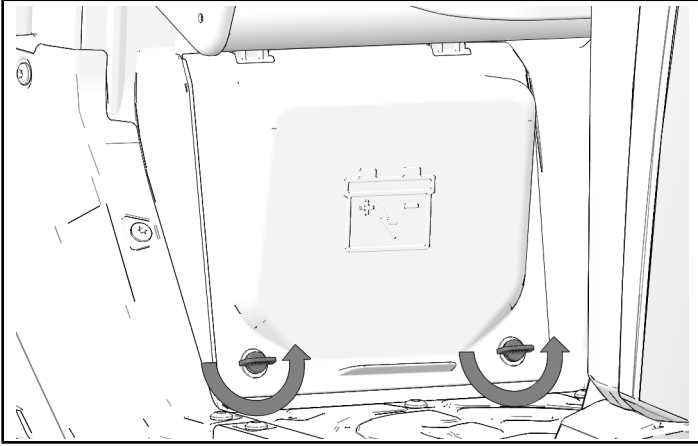
VEHICLE PREPARATION

GENERAL

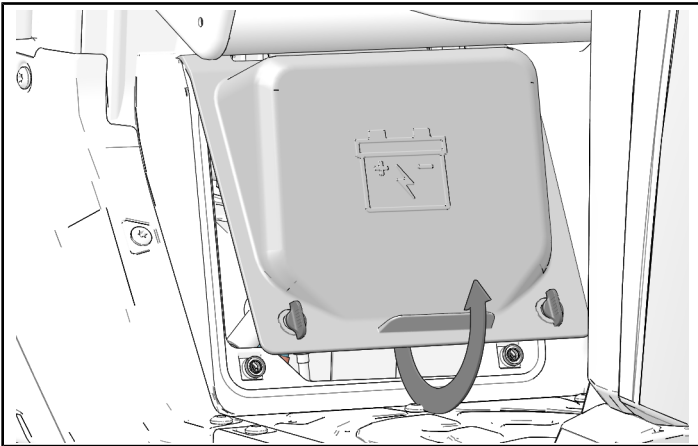
1. Park vehicle on a flat surface.
2. Shift vehicle into PARK.
3. Turn key to OFF position and remove key.

BATTERY DISCONNECT

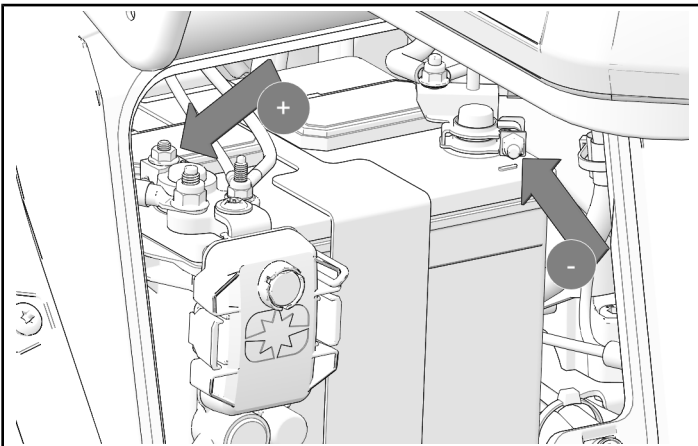
1. Turn two quarter turn fasteners.



2. Lift battery compartment cover.

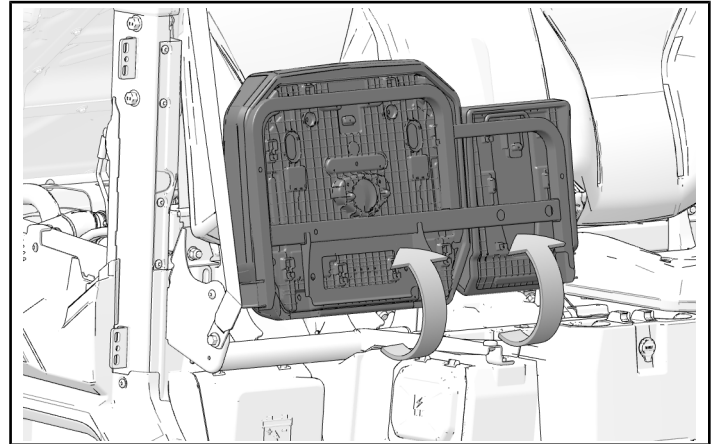


3. Disconnect negative cable first. Disconnect positive cable second.

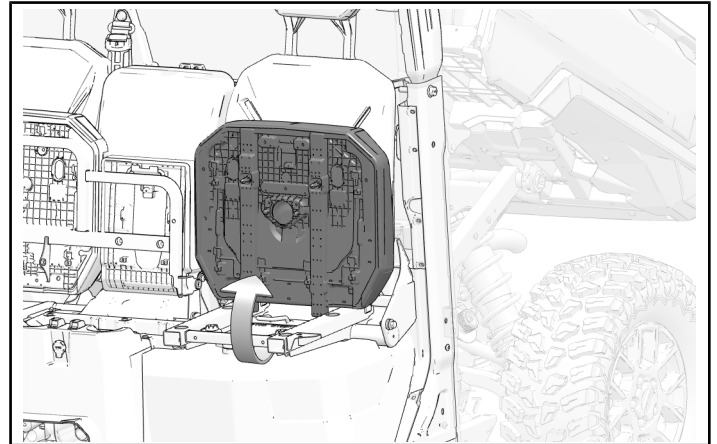


PASSENGER UNDERSEAT STORAGE BIN REMOVAL

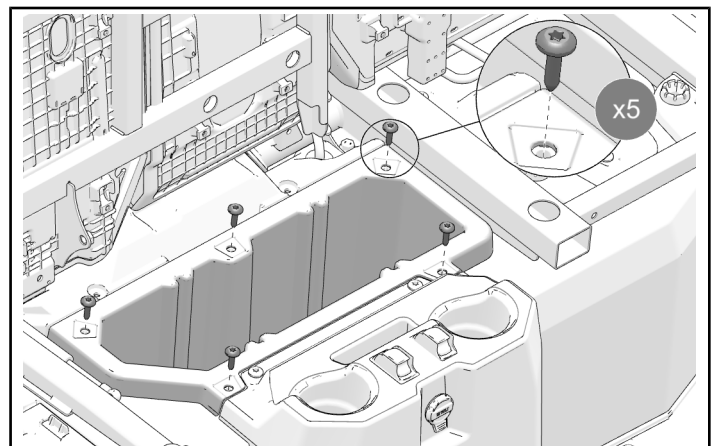
1. Lift passenger seat base up.



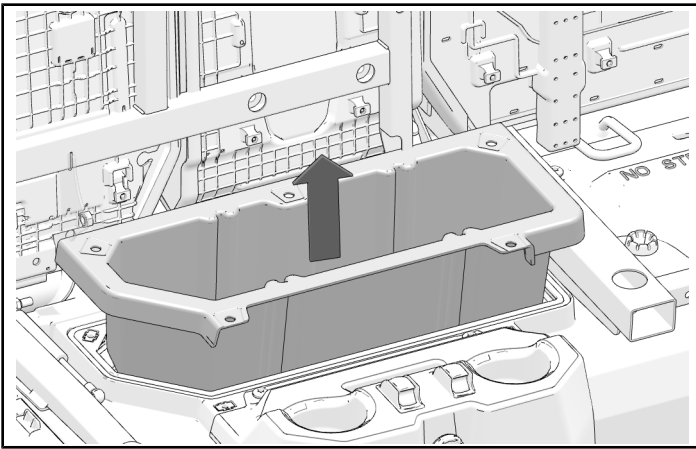
2. Lift driver seat base up.



3. Remove and keep five screws from seat base.

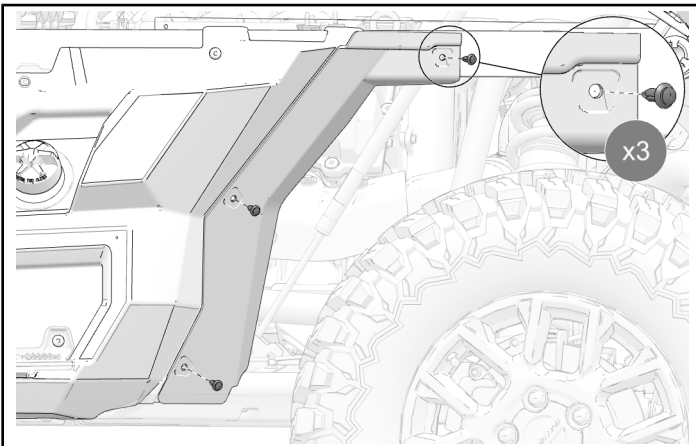


4. Remove underseat storage bin and set aside.

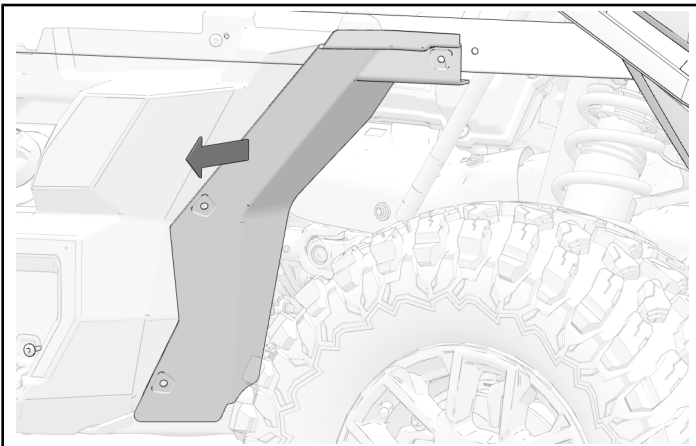


REAR WHEEL LINER REMOVAL

1. Remove and keep three push-pin rivets from driver side rear wheel liner.



2. Remove driver side rear wheel liner and set aside.



ACCESSORY INSTALLATION

NOTICE

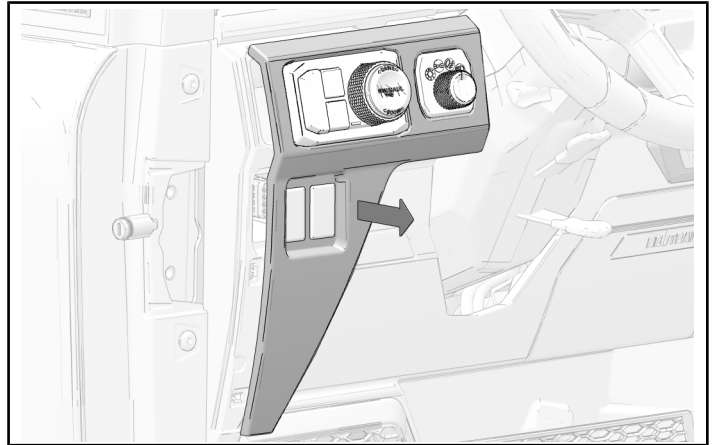
Parts of vehicle have been hidden for clarity.

BOX LIFT SWITCH INSTALLATION

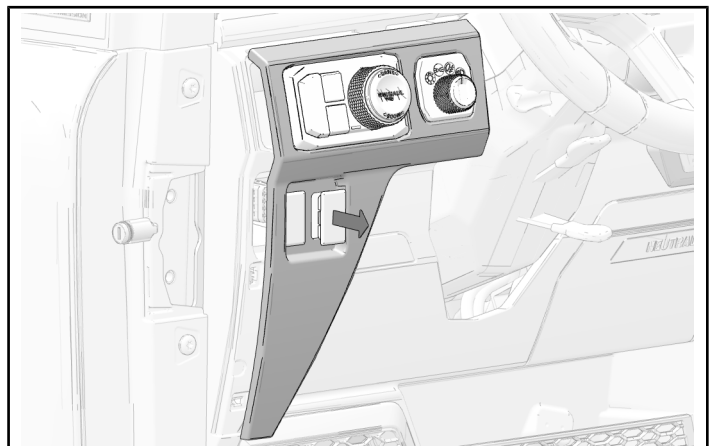
1. Remove driver side trim panel.

NOTICE

Start from bottom of panel and pull upward to release panel tabs.



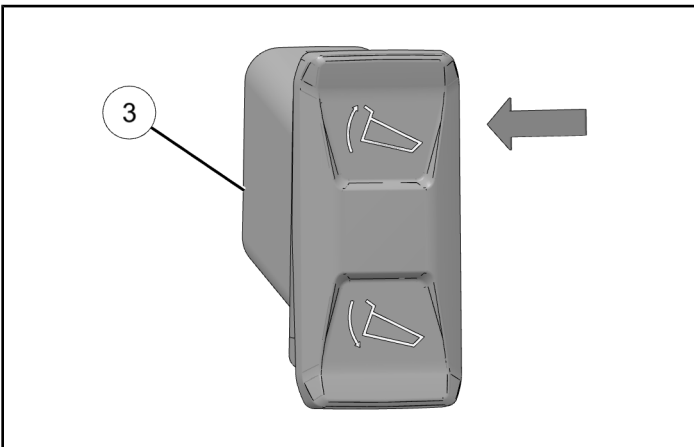
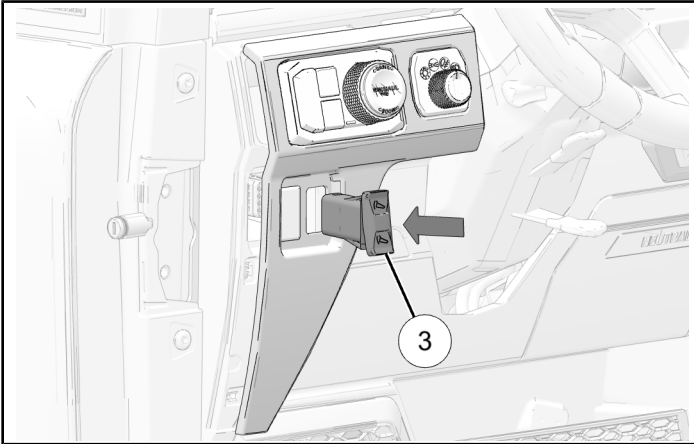
2. Disconnect any electrical connections.
3. Remove and discard plastic switch blank from driver side trim panel.



- Put box lift switch ③ into opening on driver side trim panel. Push until it snaps into place.

NOTICE

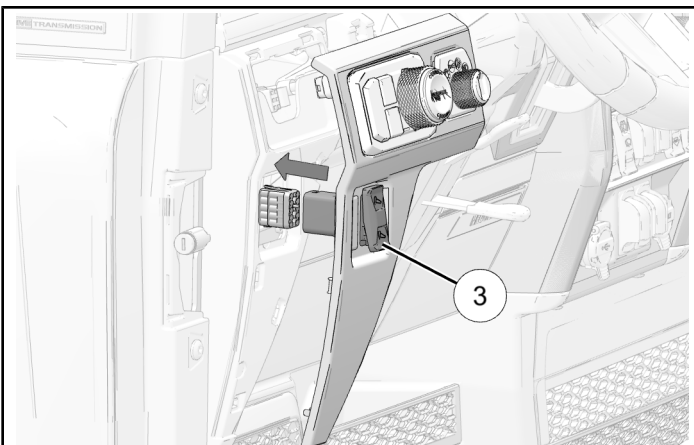
Make sure box lift switch is installed with the “up” arrow, on the cargo box image, at the top of the switch blank opening.



- Connect box lift switch ③ to lift connector on chassis harness.

NOTICE

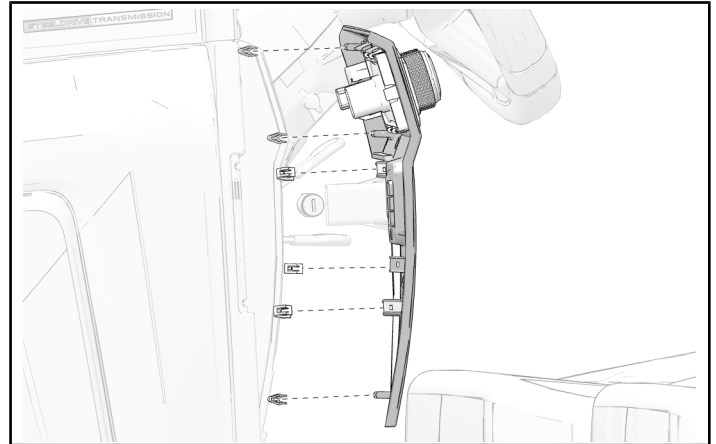
Make sure to connect the box lift switch to the chassis harness labeled “lift”.



- Reconnect all other electrical connections.
- If necessary, remove small tabs from main dash and attach to tabs on side trim.

NOTICE

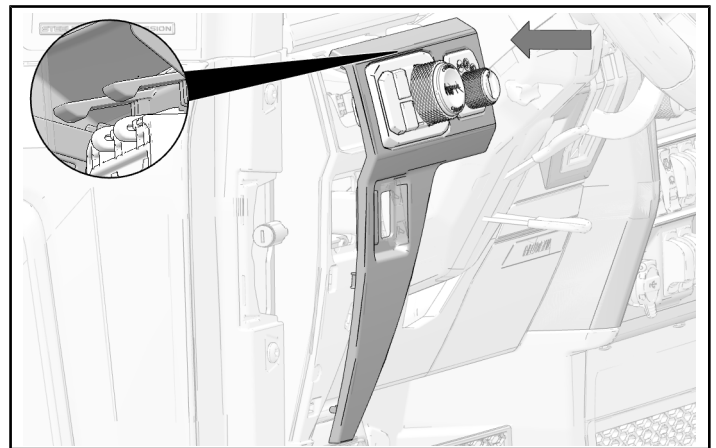
Side trim tabs may stay installed in main dash when side trim is removed. Reinstall six tabs onto the side trim before installing the side trim onto the main dash.



- Install driver side trim panel to lower dash. Align tabs on top edge of the trim panel with dash opening and push into place.

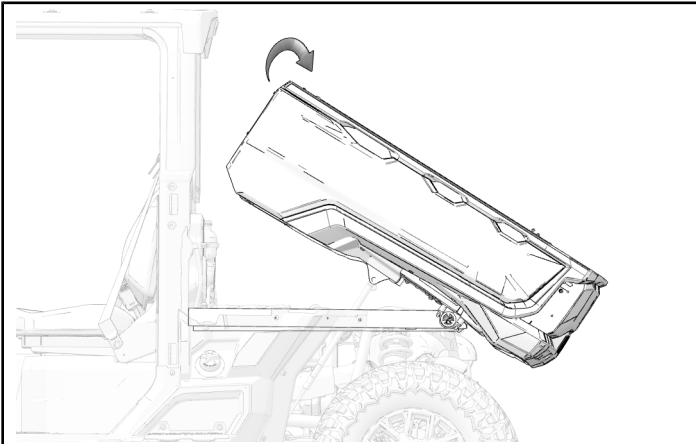
NOTICE

Start at the top of trim panel and move downward to engage all dash panel tabs.



BOX LIFT ACTUATOR (MOTOR END) INSTALLATION

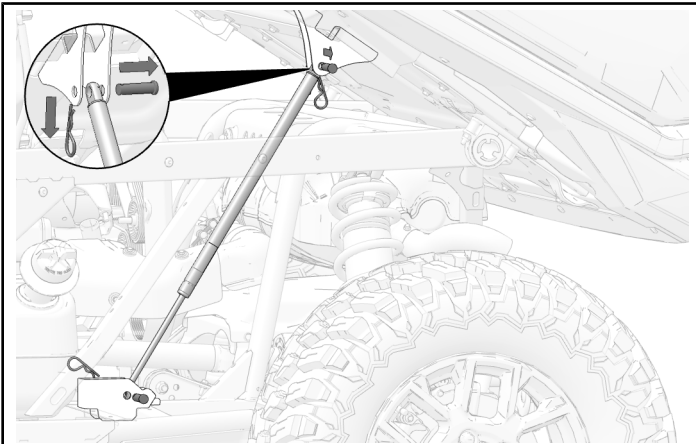
1. Lift cargo bed into dump position.



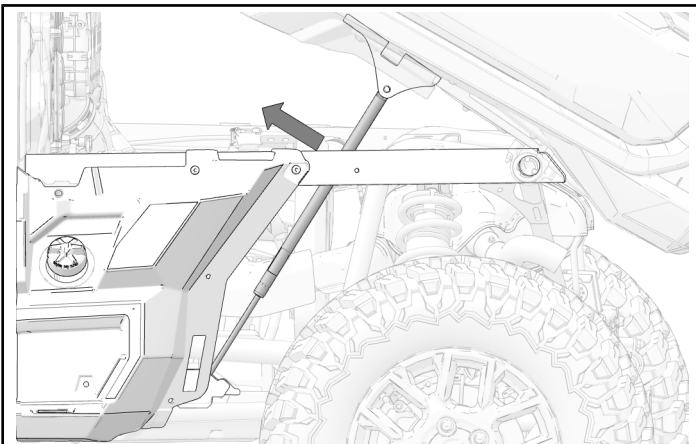
2. Remove and keep hairpin clip and clevis pin from each end of strut.

IMPORTANT

Hold cargo bed while removing clevis pin to prevent cargo bed from falling.



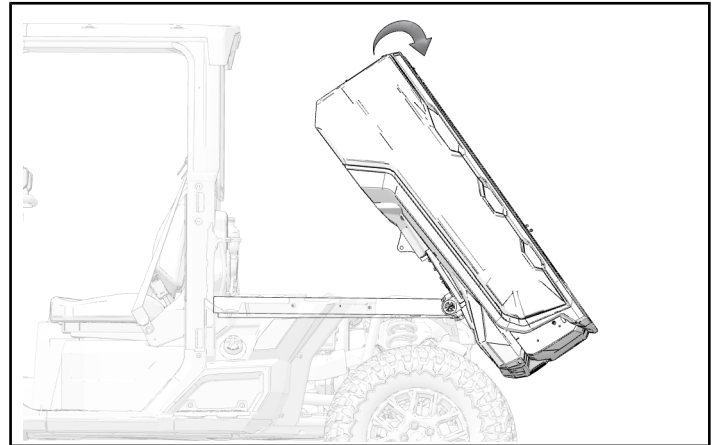
3. Remove strut. Strut and safety cable (if installed) will no longer be needed.



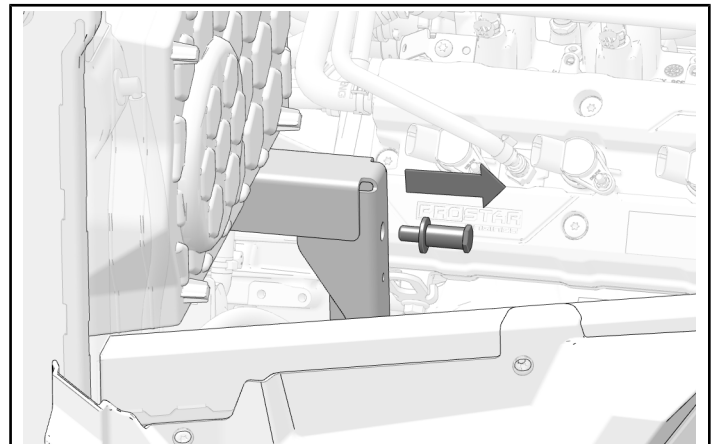
4. Lift cargo bed into highest open position.

NOTICE

Cargo bed will stay in the highest open position without the need for additional support.



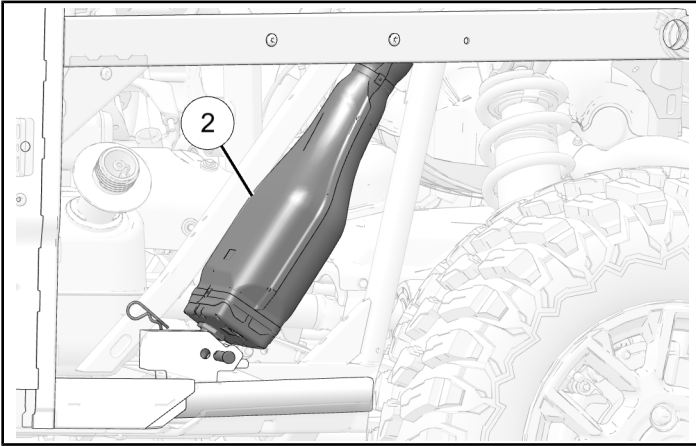
5. Remove and discard striker pin.



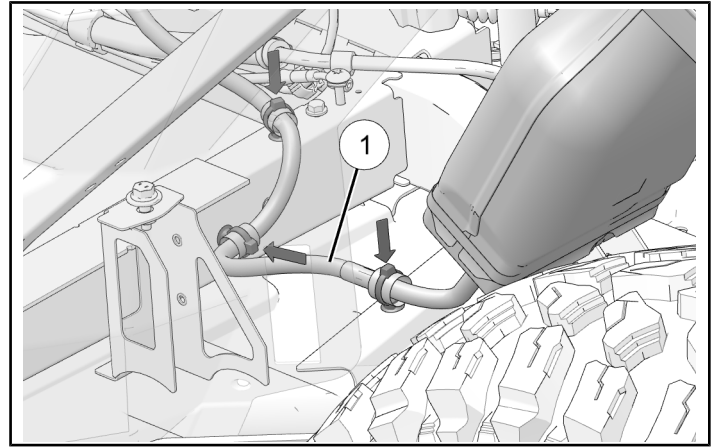
6. Install motor end of box lift actuator ② to chassis mounting bracket with kept clevis pin and hairpin clip.

NOTICE

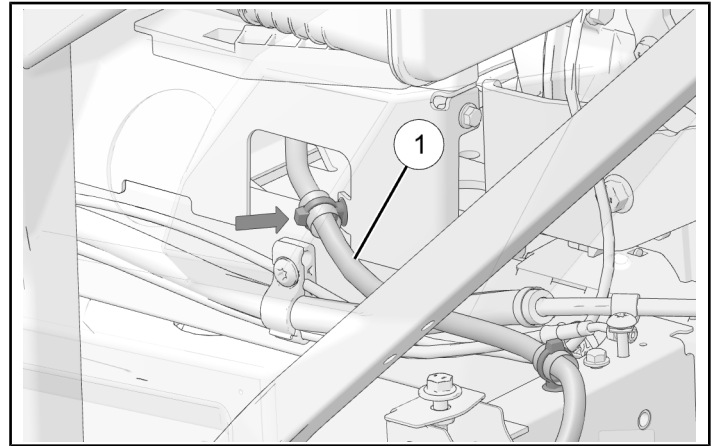
Make sure motor is installed facing downward and on side of vehicle nearest to driver side rear shock. Rod end of actuator will be installed later.



3. Attach lift box harness ① to rear lower chassis frame with three fir tree clips.

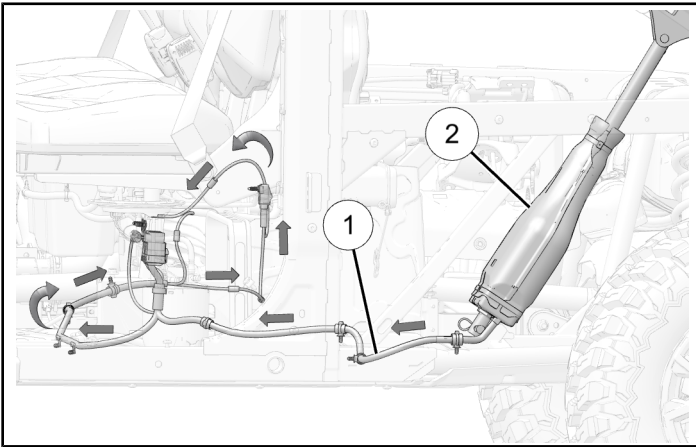


4. Attach box lift harness ① to rear seat mount bracket with one fir tree clip.

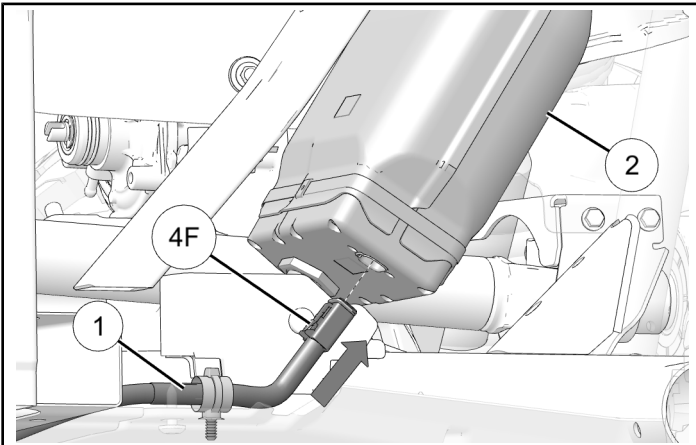


BOX LIFT HARNESS INSTALLATION

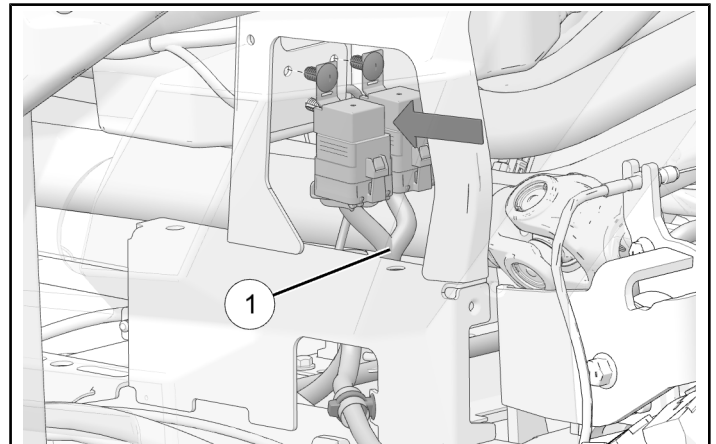
1. Route box lift harness ① from box lift actuator ② forward to vehicle battery.



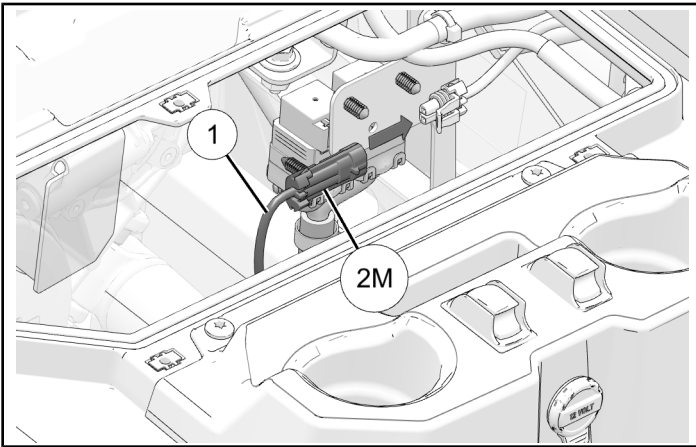
2. Connect 4F on harness ① to box lift actuator ②.



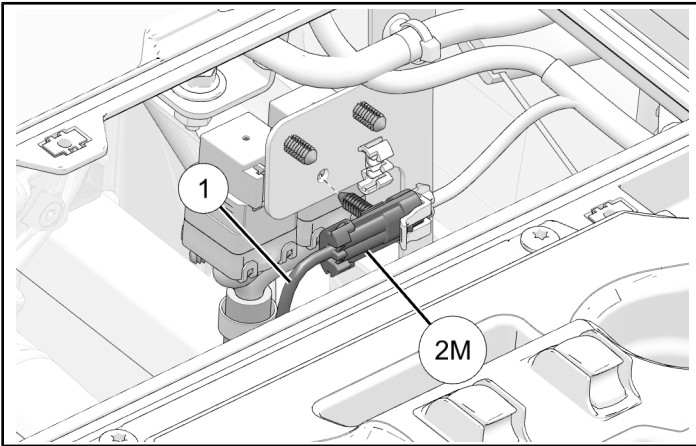
5. Attach up and down relays on box lift harness ① to rear seat mount bracket with two fir tree clips.



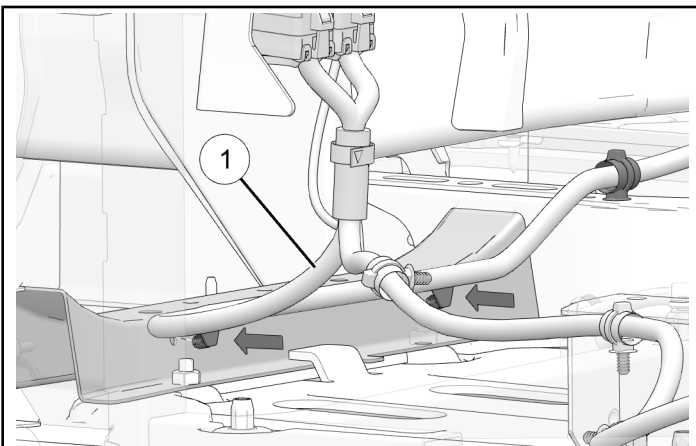
6. Connect box lift harness ① connector **2M** to chassis lift harness connector.



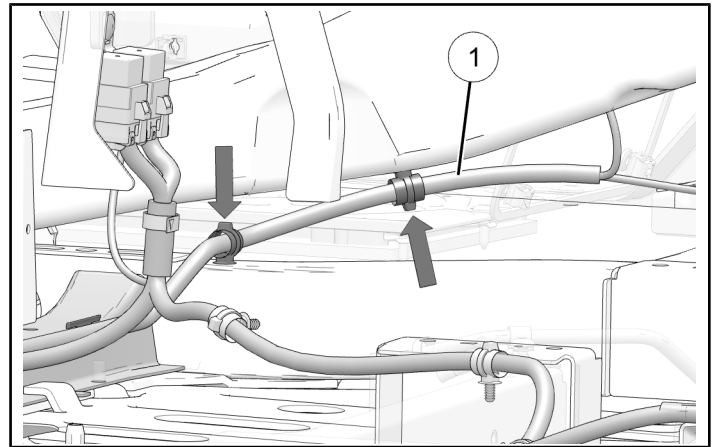
7. Install fir tree clip attached to connector **2M** on box lift harness ① to the rear seat mount bracket.



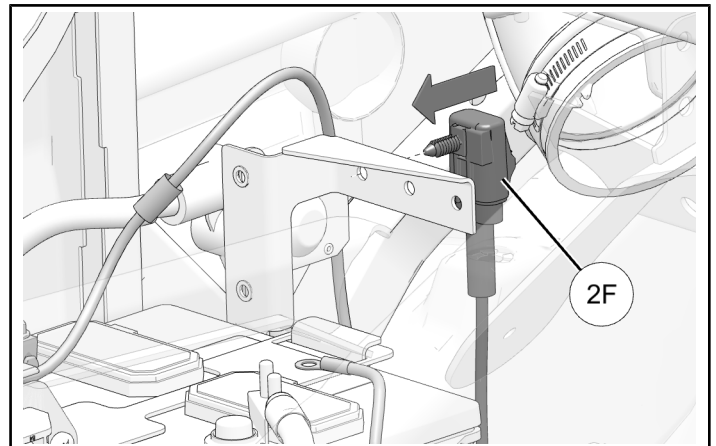
8. Route box lift harness ① toward passenger side of vehicle and attach to lower chassis frame with two standoff clips.



9. Route box lift harness ① toward battery and attach to lower chassis frame with two fir tree clips.

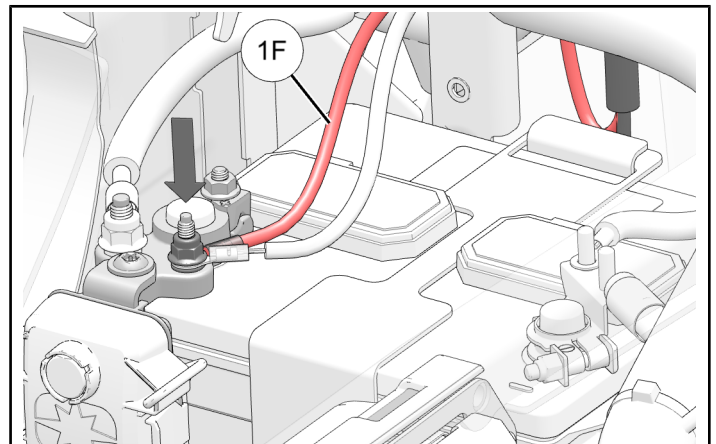


10. Install fir tree clip attached to box lift fuse **2F** to battery tray mount.



11. Attach positive terminal ring **1F** and positive battery cable to positive (+) connection on battery with kept nut.

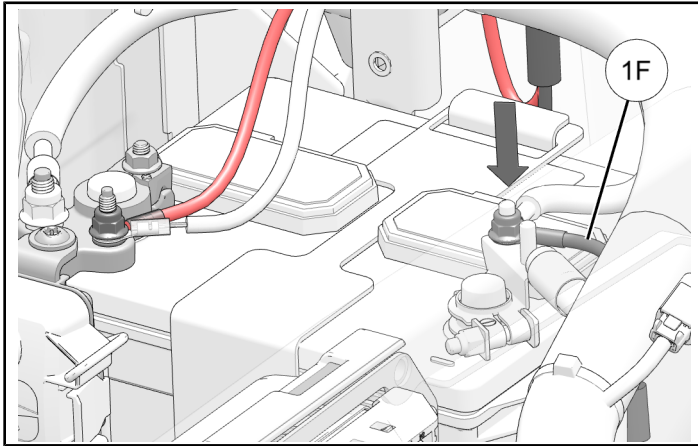
TORQUE
 Battery Terminal Nut:
60 in-lbs (7 N·m)



- Attach negative terminal ring **1F** and negative battery cable to negative (-) connection on battery with kept nut.

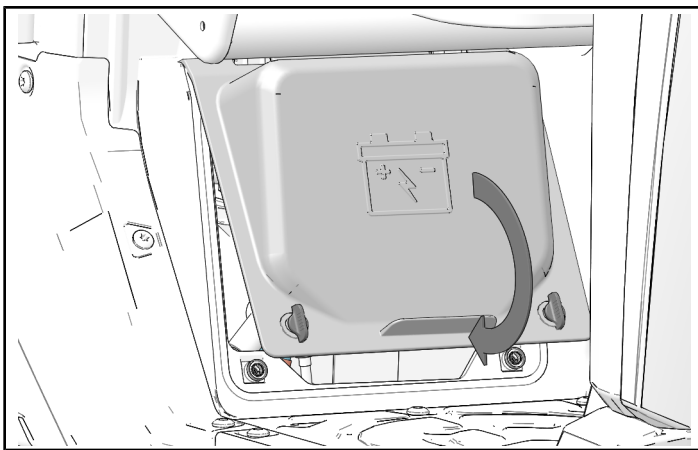
TORQUE

Battery Terminal Nut:
60 in-lbs (7 N·m)

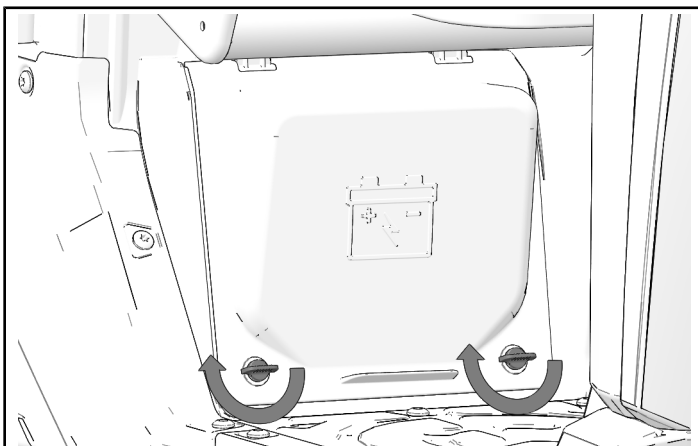


BATTERY COVER INSTALLATION

- Install top of battery compartment cover then move into place.



- Turn two quarter turn fasteners to lock cover.



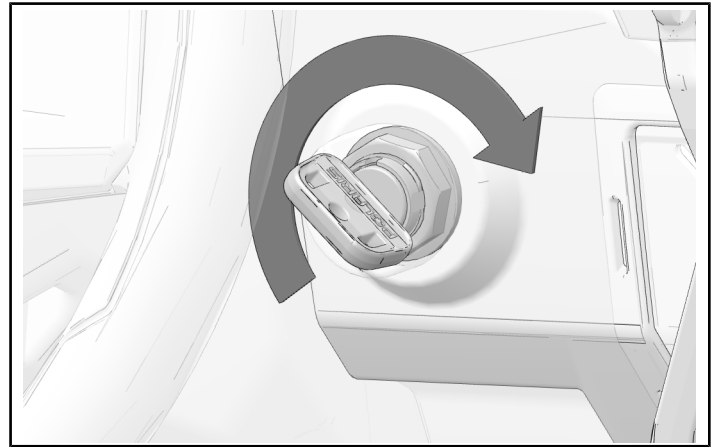
3.

BOX LIFT ACTUATOR (ROD END) INSTALLATION

- Turn vehicle key to **ACC** position.

NOTICE

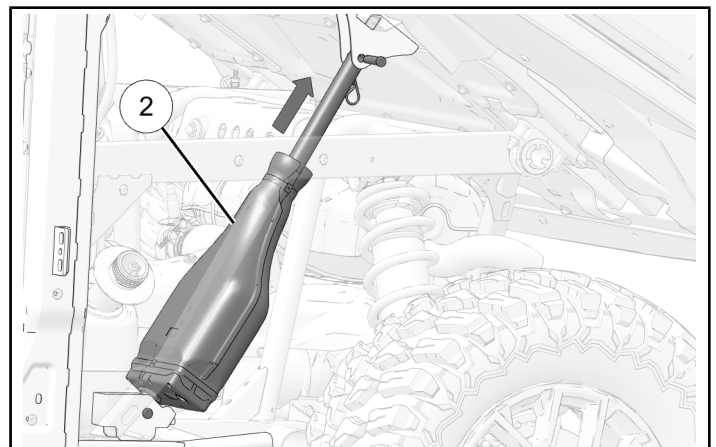
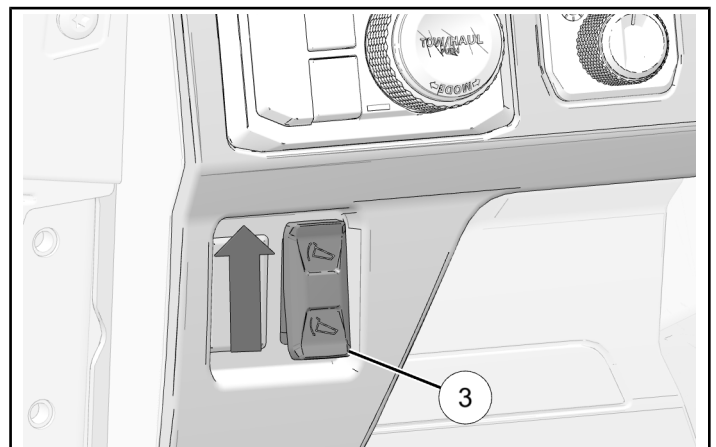
Turn key to the right once for **ACC** position.



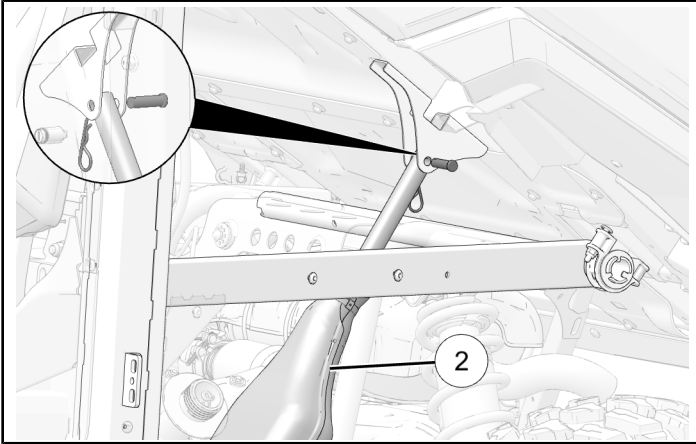
- Push cargo box lift switch **3** up to extend actuator rod on box lift **2** to mounting bracket.

IMPORTANT

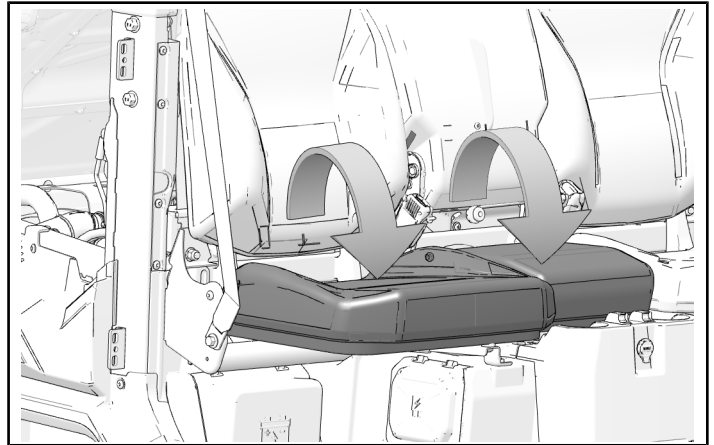
Make sure actuator rod is in an open location and can be extended without damaging the rod.



3. Install rod end of box lift actuator ② to bed mounting bracket with kept clevis pin and hairpin clip.



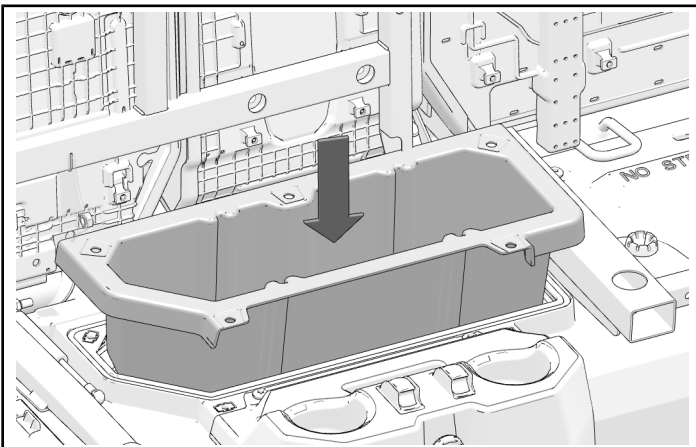
3. Push passenger seat and middle seat down.



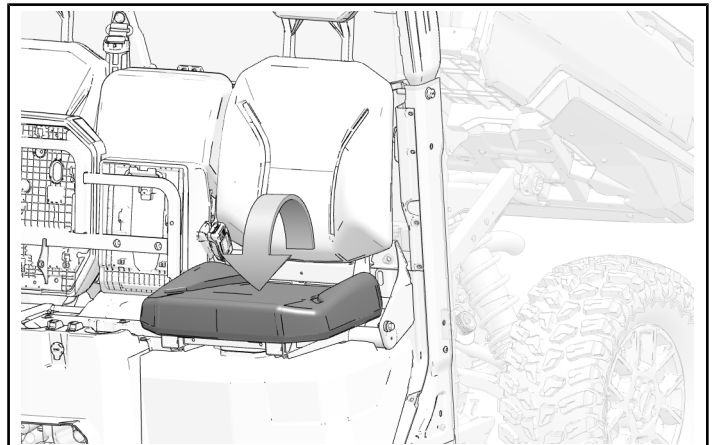
VEHICLE REASSEMBLY

PASSENGER UNDERSEAT STORAGE BIN INSTALLATION

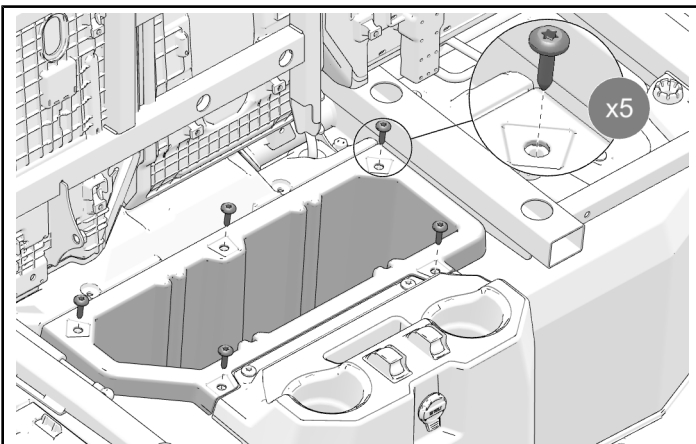
1. Put underseat storage bin on seat base under passenger seat.



4. Push driver seat down.

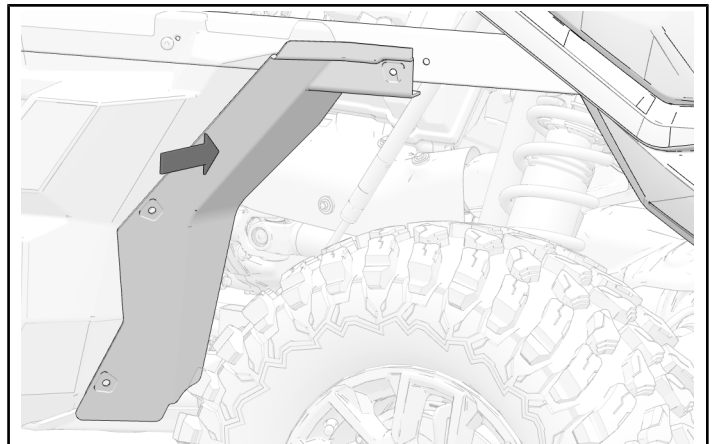


2. Install five kept screws through bin and seat base.

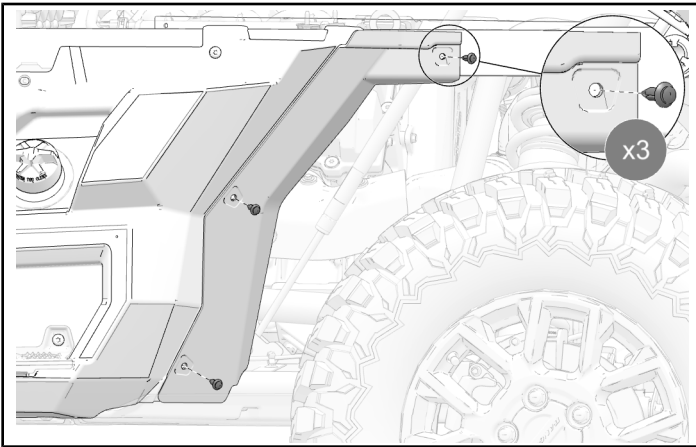


REAR WHEEL LINER INSTALLATION

1. Put rear wheel liner in place on vehicle.



2. Attach rear wheel liner with three kept push-pin rivets.



OPERATION

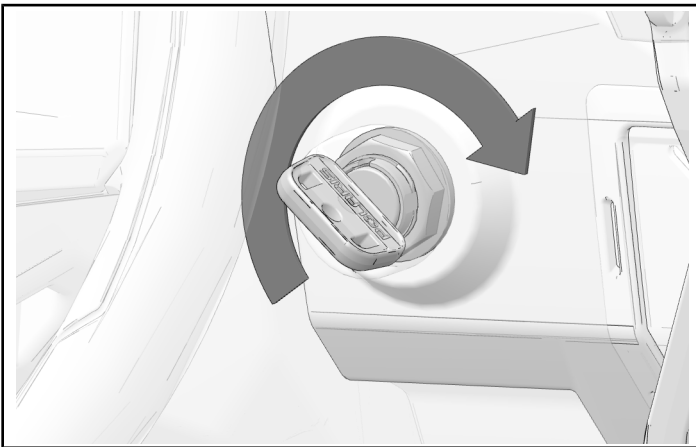
IMPORTANT

Make sure box lift switch is operating correctly.

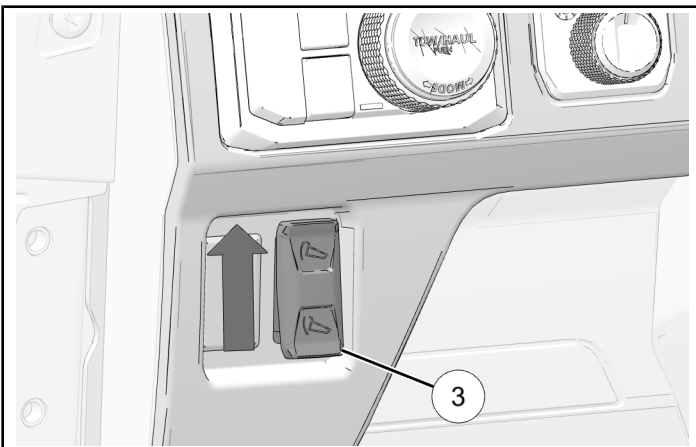
1. Turn vehicle key to **ACC** position.

NOTICE

Turn key to the right once for **ACC** position.



2. Push cargo box lift switch ③ up to lift cargo box into the dump position.



3. Push cargo box lift switch ③ down to lower cargo box.

NOTICE

Cargo box lift switch will stay in the down position when not dumping. Never drive vehicle with the cargo box in the dump position.

