

RIDE COMMAND KIT



P/N 2889766

IMPORTANT

Due to the technical nature of this kit, Polaris® insists that this installation be performed by a certified Polaris® technician.

MISSING OR DAMAGED PARTS

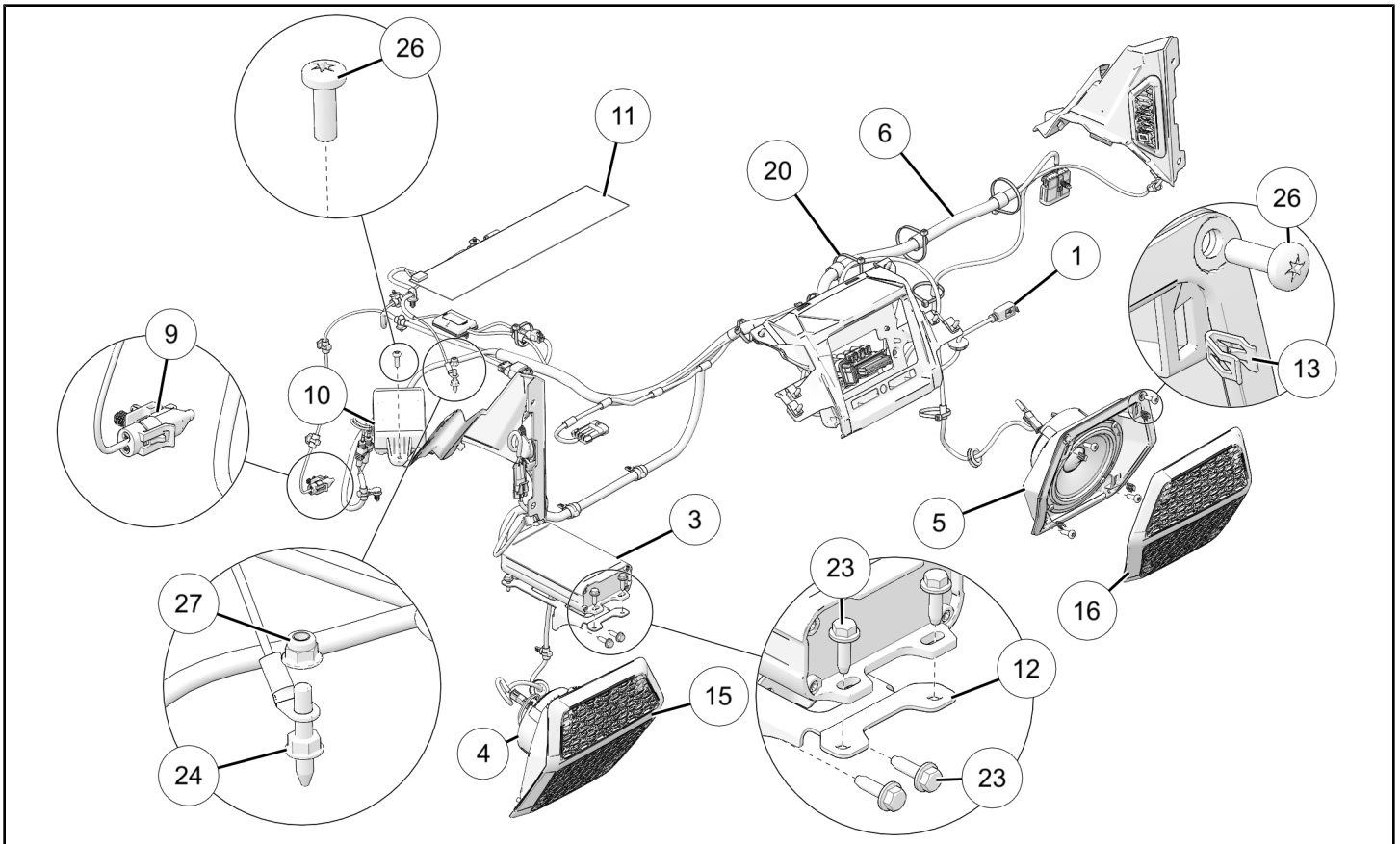
Before beginning assembly, inspect the kit and its component(s) to be sure all parts and tools are accounted for and not damaged. If missing parts or parts are damaged, please contact your Selling Dealer for assistance.

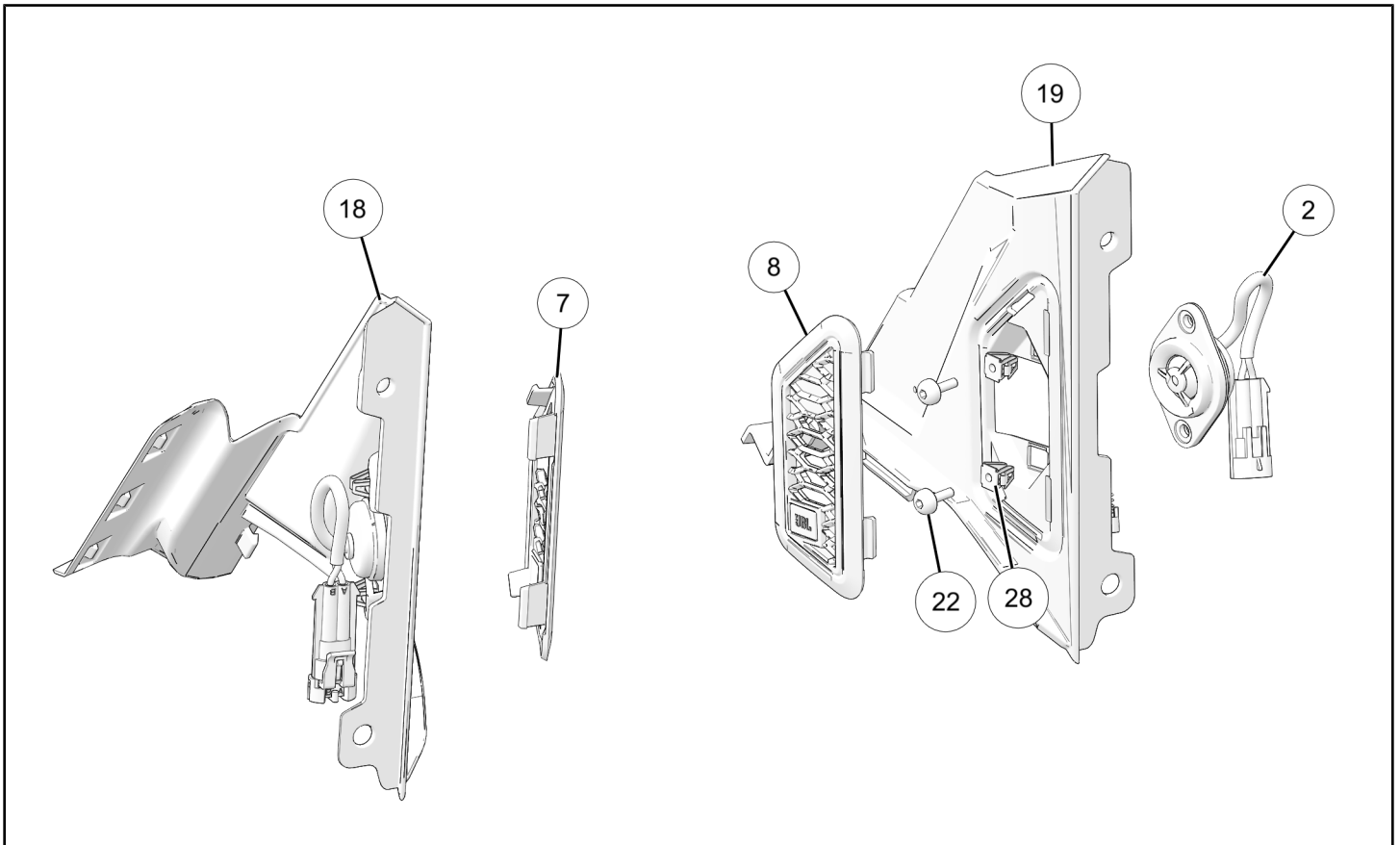
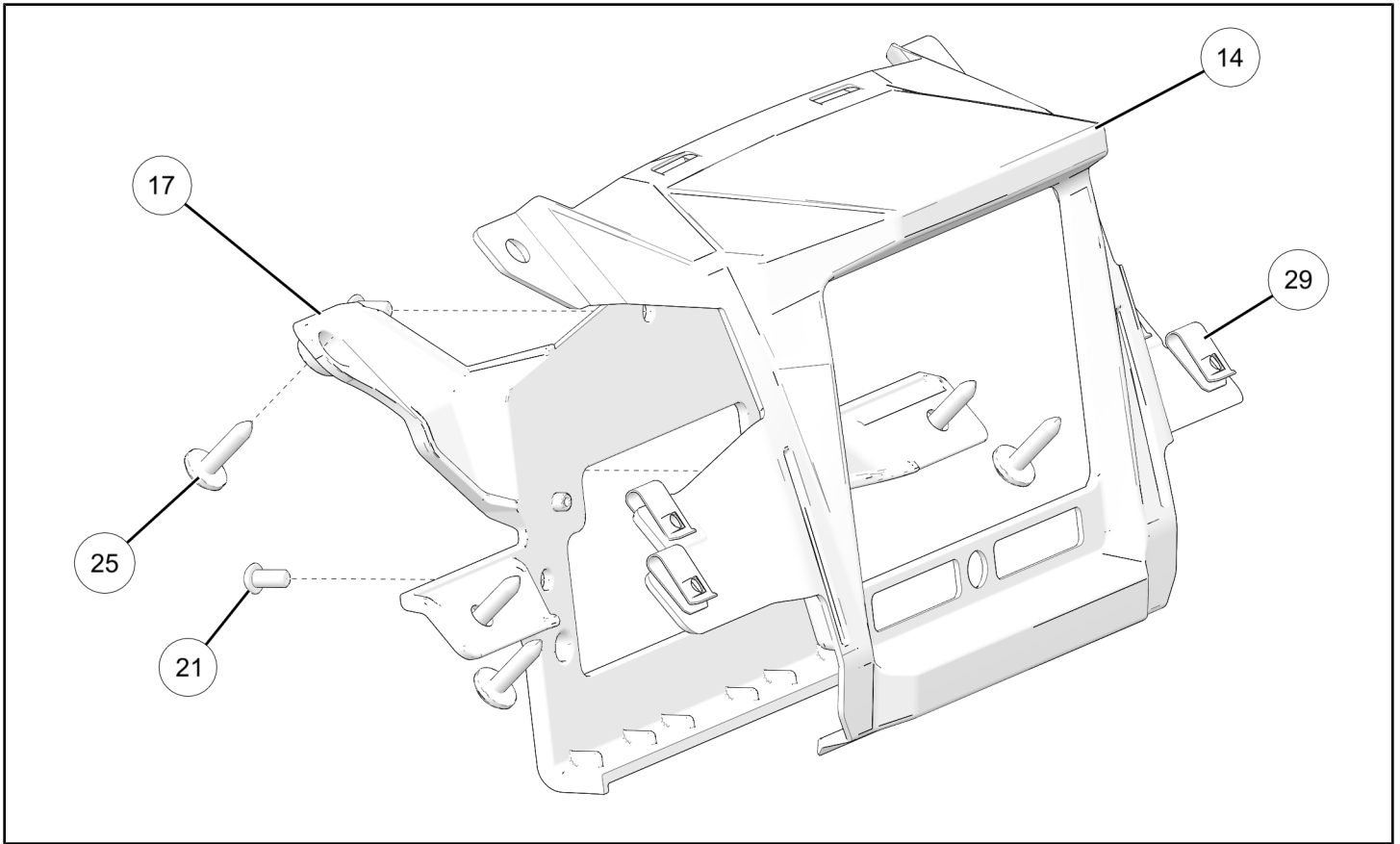
If your accessory was purchased online, please contact POLARIS® customer service at **1-800-POLARIS** (US & Canada only).

APPLICATION

Verify accessory fitment at www.polaris.com.

KIT CONTENTS

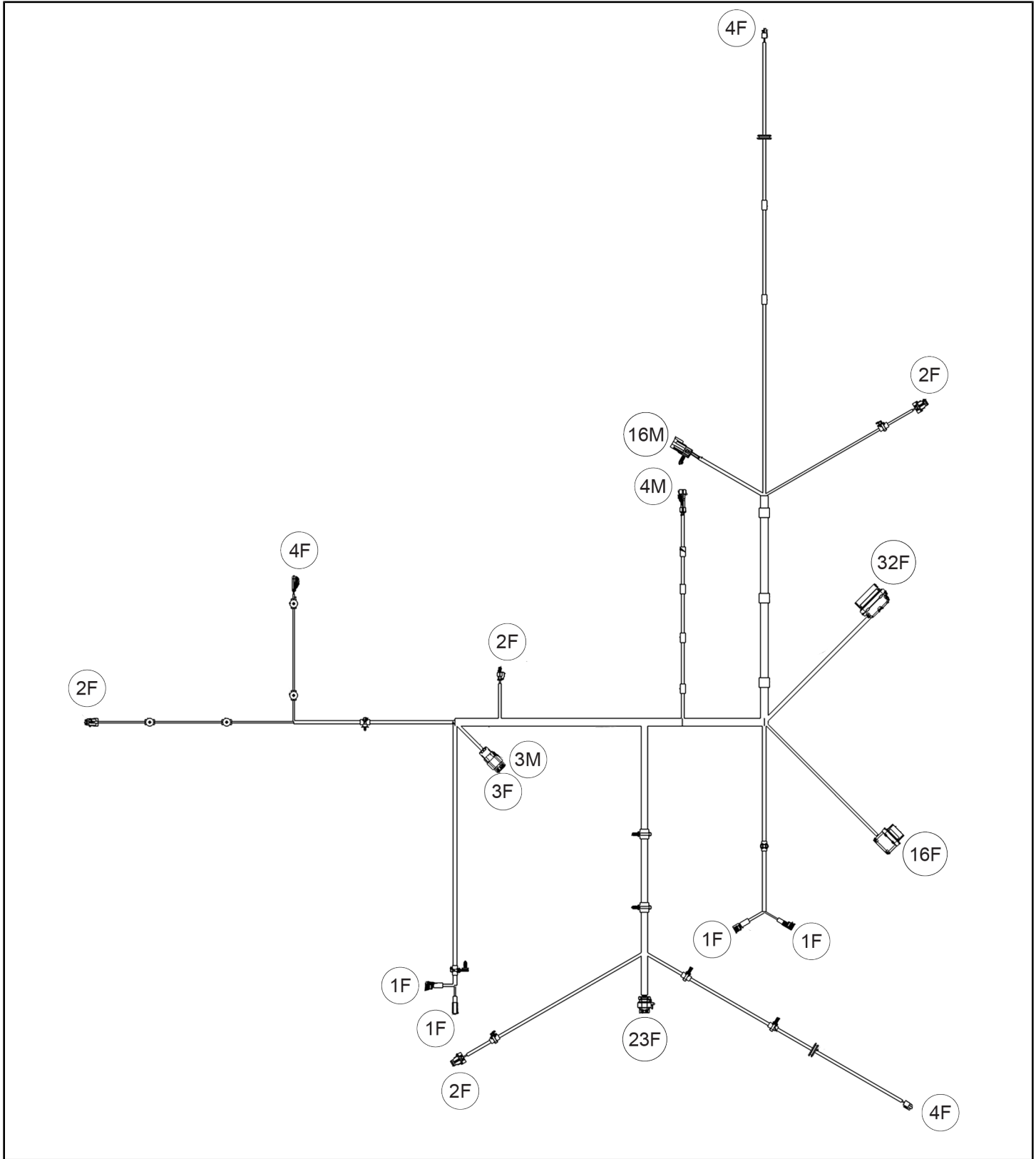




REF	QTY	PART DESCRIPTION	P/N AVAILABLE SEPARATELY
1	1	USB Harness	2415498
2	2	Tweeter	2415718
3	1	Amp, 4-channel	2415721
4	1	Left Front Speaker	2416495
5	1	Right Front Speaker	2416496
6	1	Ride Command Harness	2417104
7	1	Left Tweeter Grille	2639171
8	1	Right Tweeter Grille	2639172
9	1	Sensor Gauge	4018205
10	1	Antenna, GPS	4019300
11	1	AM-FM Antenna	4080646
12	1	Bracket, Mount, Amp	n/a
13	8	Plastic Clip	5456313
14	1	Bezel Display	n/a
15	1	Left Speaker Grille Panel	5458932
16	1	Right Speaker Grille Panel	5458933
17	1	Panel, Support, Ride Command	n/a
18	1	Left Inner A-Pillar Audio Cover	5465336
19	1	Right Inner A-Pillar Audio Cover	5465337
20	8	Cable Tie	7080492
21	3	Screw, Torx®, Button Head, M6 x 1.0 x 12 mm	7518330
22	4	Screw, Button Head, Self-Threading, M4.2 x 4.40 x 12 mm	7518518
23	6	Screw, Hex, Flange, Self-Threading, M6 x 1.0 x 20 mm	7518529
24	1	Stud, M6 x 1.0 x 19 mm	7519333
25	6	Screw, Torx®, Truss Head, M6 x 1.0 x 125 mm	7519650
26	8	Screw, Torx®, Pan Head, Self-Threading, #14 x .75 in	7519731
27	1	Flange Nut, M6	7547274
28	4	Pal Nut, M4	7547324
29	6	U-Nut, M6	7547674

HARNES DETAIL

RIDE COMMAND HARNESS ⑥



REF	PART DESCRIPTION	CONNECTS TO
2F	Connector, Sealed, Gray	Sensor Gauge ⑨
4F	Connector, Vinyl Cap	n/a

REF	PART DESCRIPTION	CONNECTS TO
3F/3M	Connector, Sealed, Black	n/a
2F	Connector, Sealed, Black	AM-FM Antenna ⑪
1F	Connector, Blue	Antenna, GPS ⑩
1F	Connector, Yellow	Antenna, GPS ⑩
2F	Connector, Sealed, Black	Tweeter ②
23F	Connector, Sealed, Black	Amp, Four Channel ③
4F	Connector, Unsealed	Left Front Speaker ④
1F	Connector, Blue	Ride Command Display
1F	Connector, Yellow	Ride Command Display
16F	Connector, Sealed, White	Ride Command Display
32F	Connector, Sealed, White	Ride Command Display
16M	Connector, Sealed, Black	Chassis Harness
2F	Connector, Sealed, Black	Tweeter ②
4F	Connector, Unsealed	Right Front Speaker ⑤
4M	Connector, Sealed, Gray	Chassis Harness
Example: 16F = 16 pin, Female / 16M = 16 pin, Male (Male terminal fits inside female terminal)		

TOOLS REQUIRED

- Safety Glasses
- Pliers, Push Pin Rivet
- Pliers, Side Cutting
- Socket Set, Metric
- Socket Set, Torx® Bit
- Tie-Down Straps (or equivalent)
- Torque Wrench

CONSUMABLES REQUIRED

- Isopropyl Alcohol (IPA)

IMPORTANT

Your Ride Command Kit is exclusively designed for your vehicle. Please read the installation instructions thoroughly before beginning. Installation is easier if the vehicle is clean and free of debris. For your safety, and to ensure a satisfactory installation, perform all installation steps correctly in the sequence shown.

INSTALLATION INSTRUCTIONS

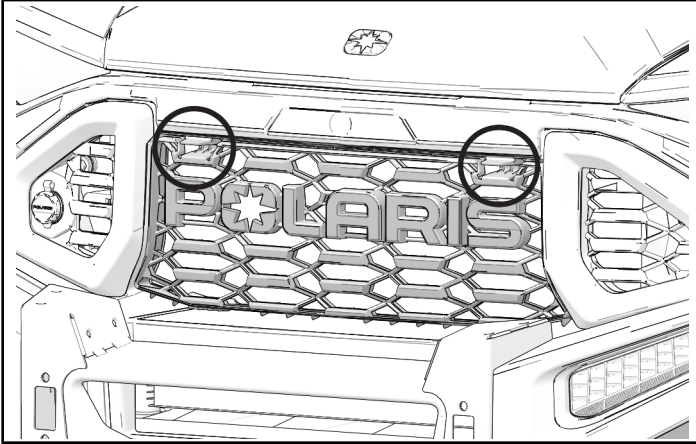
VEHICLE PREPARATION

GENERAL

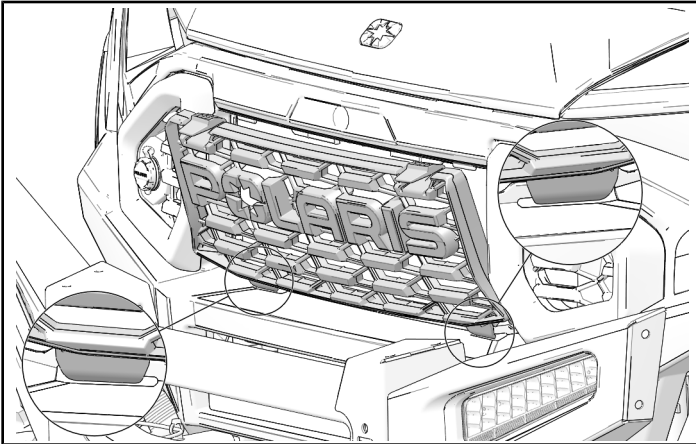
1. Park vehicle on a flat surface.
2. Shift vehicle into PARK.
3. Turn key to OFF position and remove key.

FRONT GRILLE REMOVAL

1. Press down two tabs on top of grille.

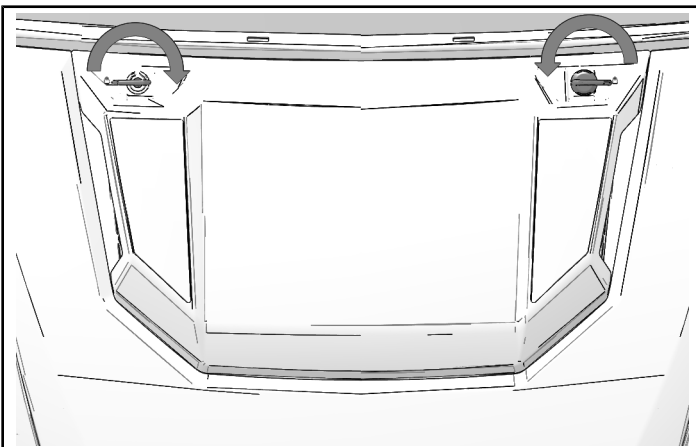


2. Remove two bottom grille tabs from vehicle while holding top tabs down.

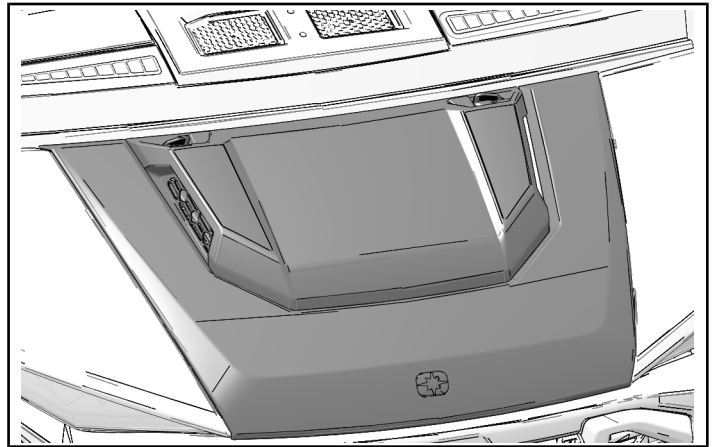


INNER HOOD REMOVAL

1. Turn knob upwards.



2. Move hood forward to release front hooks and lift to remove.



A-PILLAR REMOVAL

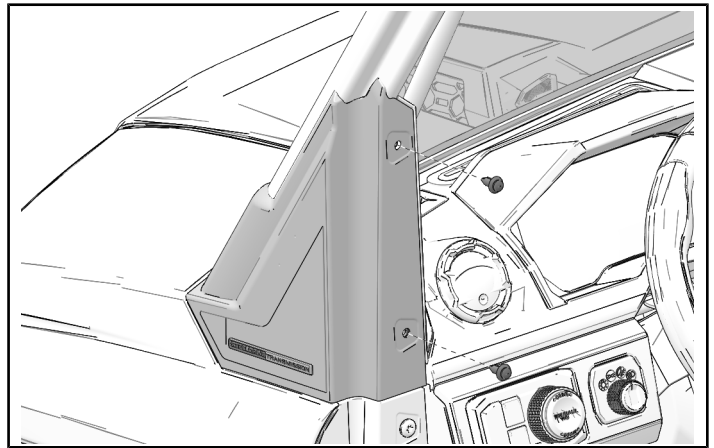
NOTICE

Door hidden for clarity.

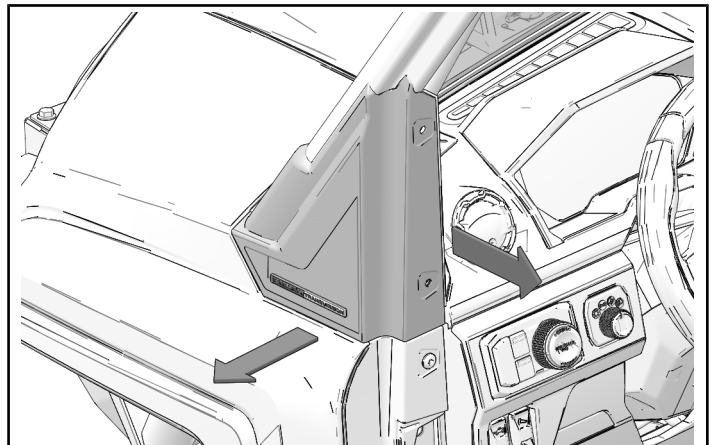
NOTICE

Left side shown; right side similar.

1. Remove two push-pin rivets from a-pillar panel.

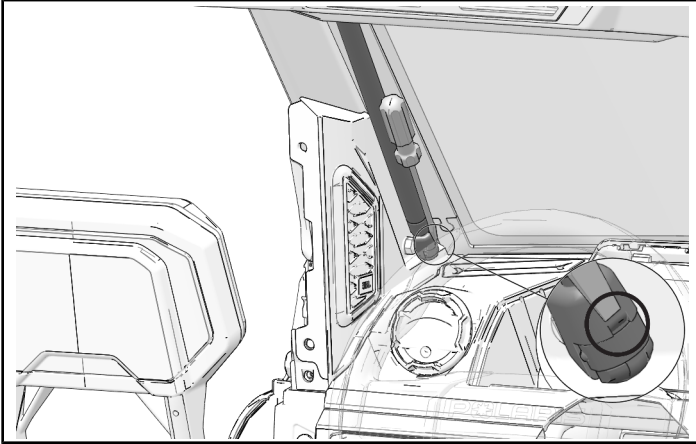


2. Remove a-pillar panel away from vehicle.

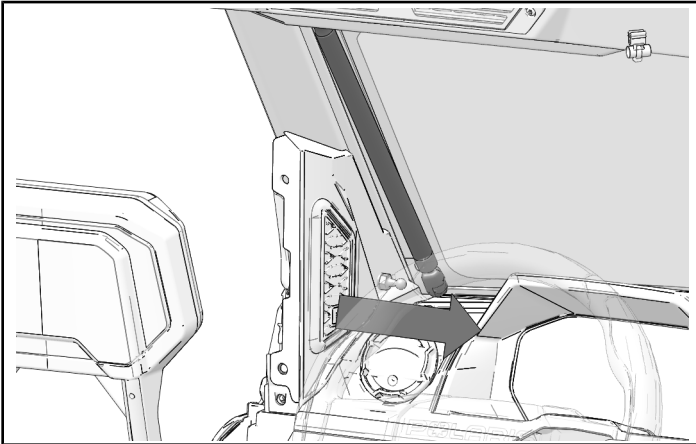


IF EQUIPPED WITH TIP OUT WINDSHIELD

1. Push clip out of windshield shock end using a screw driver.

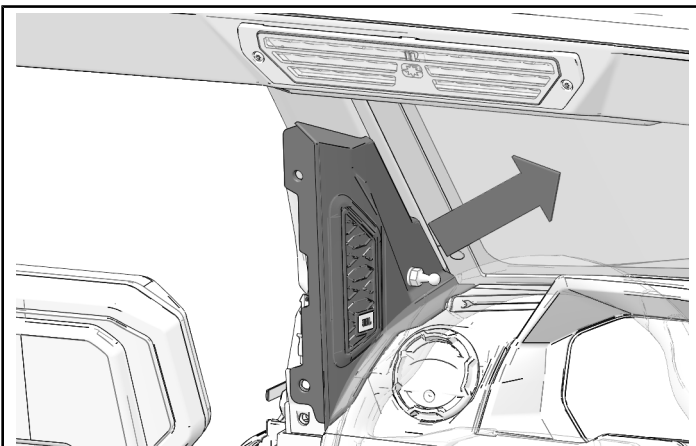


2. Remove windshield shock end from ball end.



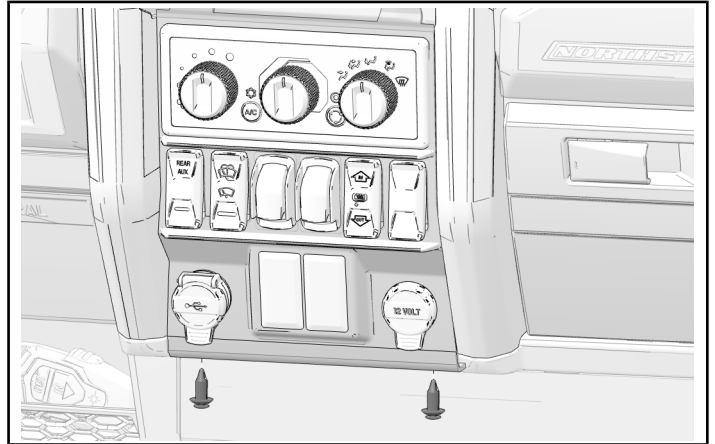
A-PILLAR INNER PANEL REMOVAL

1. Remove inner a-pillar panel outward.

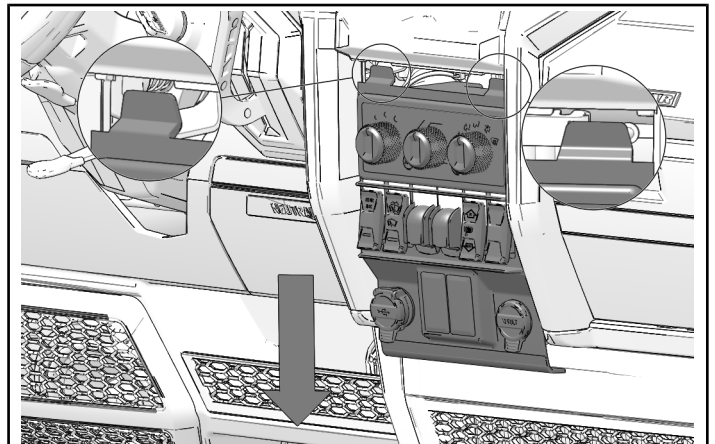
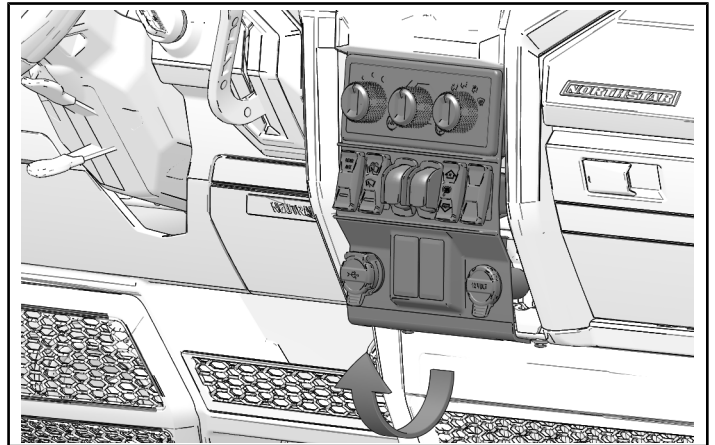


CENTER DASH HVAC CONTROL PANEL TRIM REMOVAL

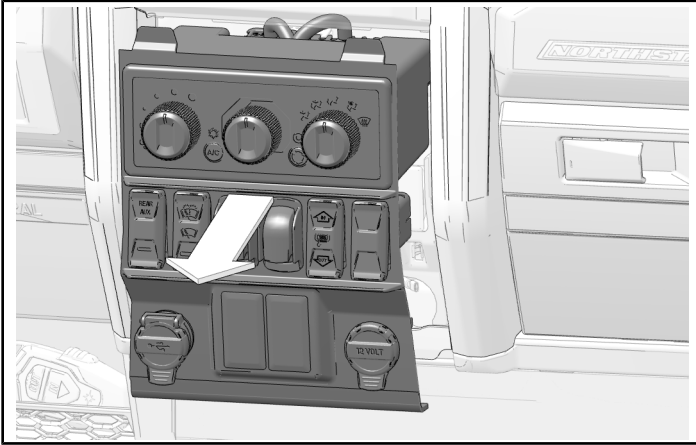
1. Remove two push-pin rivets from lower edge of trim panel.



2. Turn control panel trim rearward and down to remove top two tabs from vehicle.

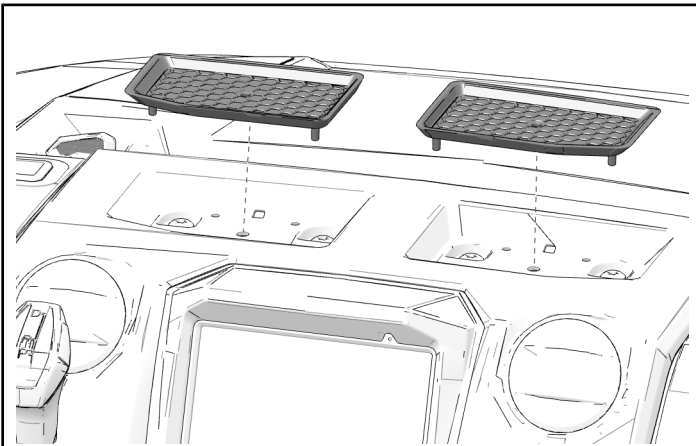


3. Remove center dash HVAC control panel trim and assembly. Disconnect any connections.



UPPER DASH TRAY REMOVAL

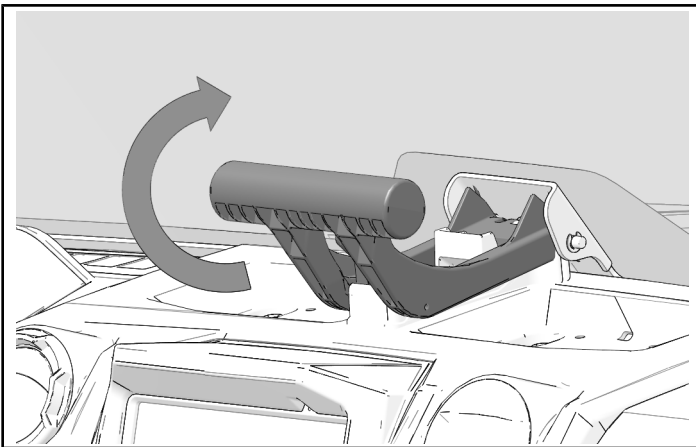
1. Remove two upper dash trays from upper dash.



UPPER CENTER DASH TRIM REMOVAL

IF EQUIPPED WITH TIP OUT WINDSHIELD

1. Move up windshield lever and push windshield outwards.

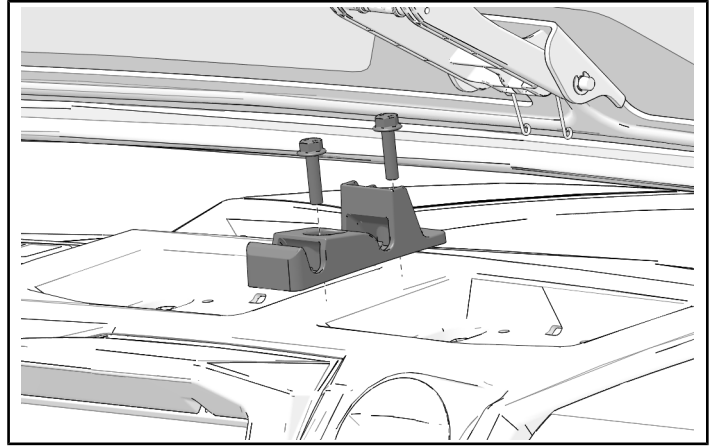


IF EQUIPPED WITH WINDSHIELD

1. Remove and keep two screws and windshield base.

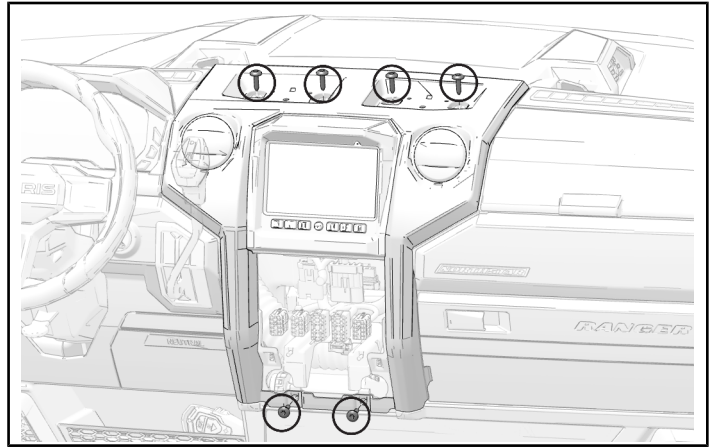
NOTICE

For fixed windshields, windshield base will be connected to windshield once screws are removed.

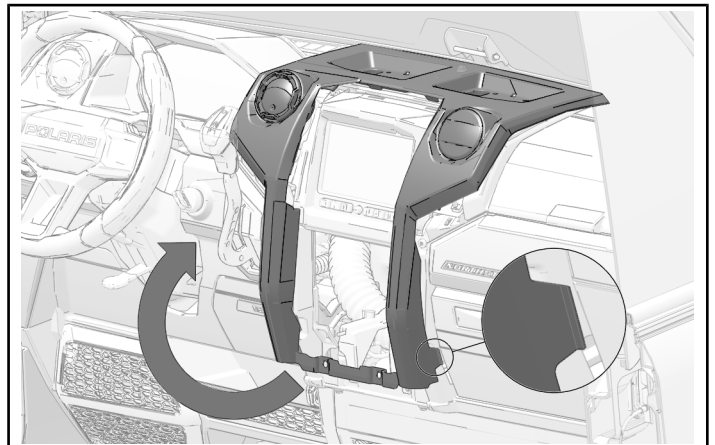


TRIM REMOVAL

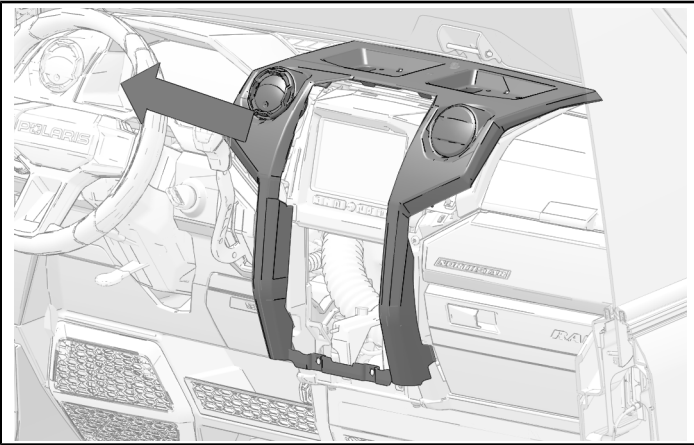
1. Remove four screws from top of upper center dash trim panel and two screws from lower edge of panel.



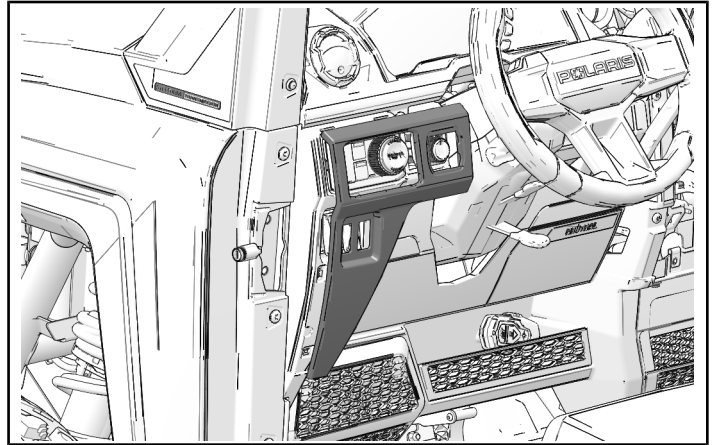
2. Move bottom of trim rearward to remove two bottom tabs.



3. Remove upper center dash trim panel upwards and rearward.

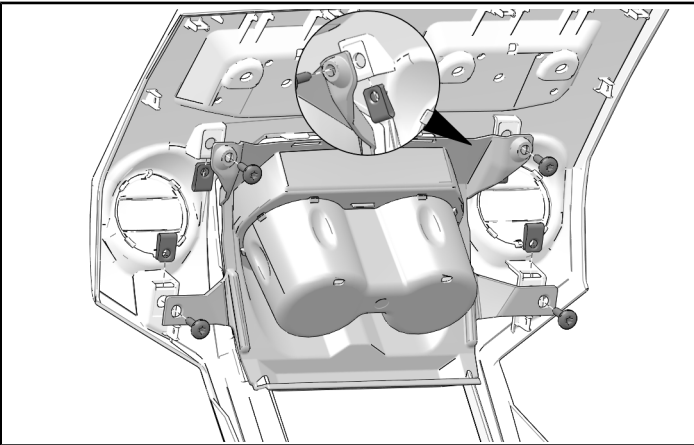


2. Remove trim clips from driver side. Disconnect any connections.

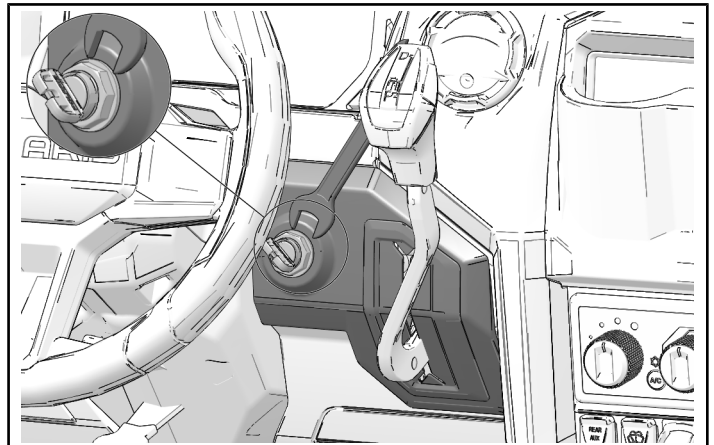


DASH TRIM CUP HOLDER REMOVAL (IF EQUIPPED)

1. Remove four u-nuts and four screws from cup holder on dash trim. Remove cup holder.

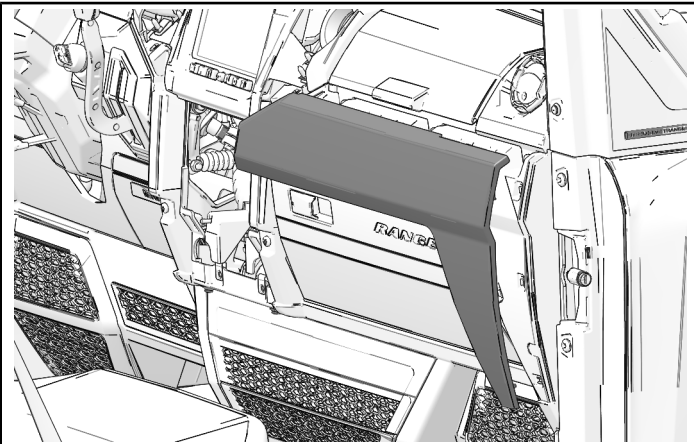


3. Remove plastic nut.

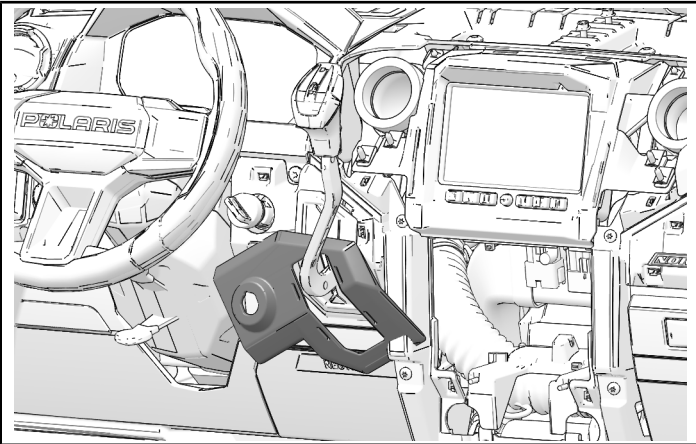
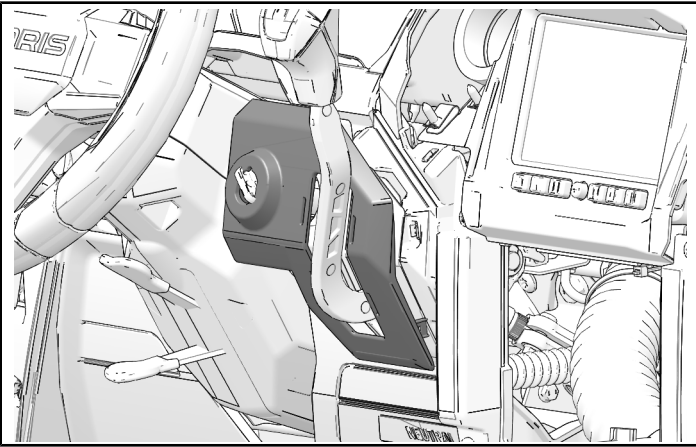


DRIVER, PASSENGER AND SHIFTER TRIM REMOVAL

1. Remove trim clips away from passenger side.

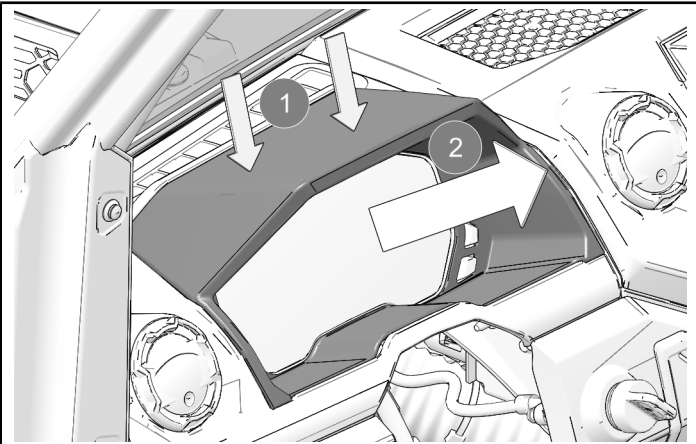


4. Remove shifter trim and let it hang on shifter.

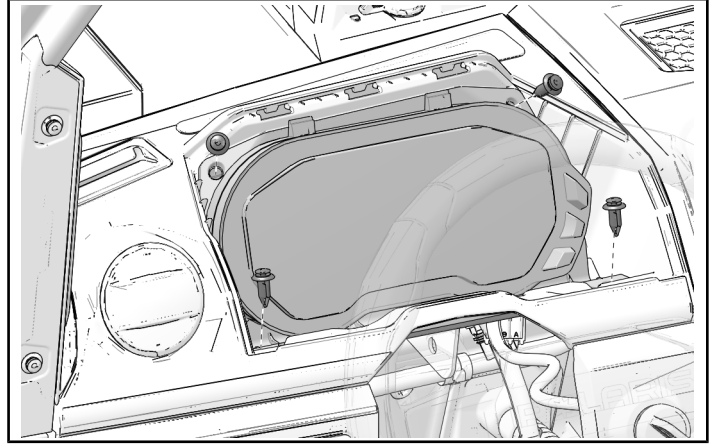


INSTRUMENT CLUSTER REMOVAL

1. Push down on top of instrument bezel to remove upper tabs. Remove instrument bezel outward to remove lower tabs from vehicle.



2. Remove four push-pin rivets from instrument bracket. Remove and disconnect instrument mount from vehicle.

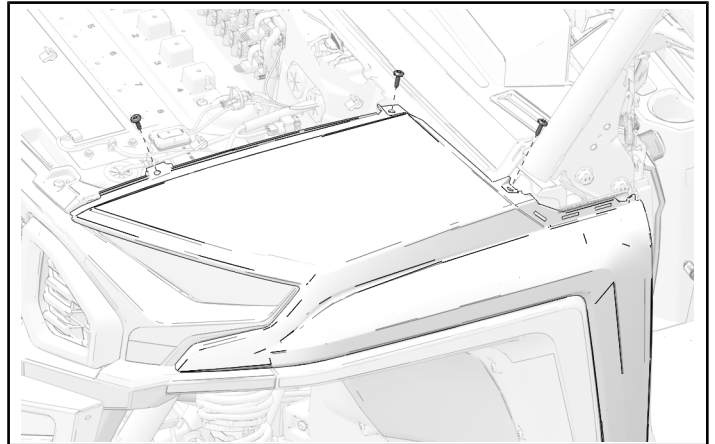


UPPER DASH REMOVAL

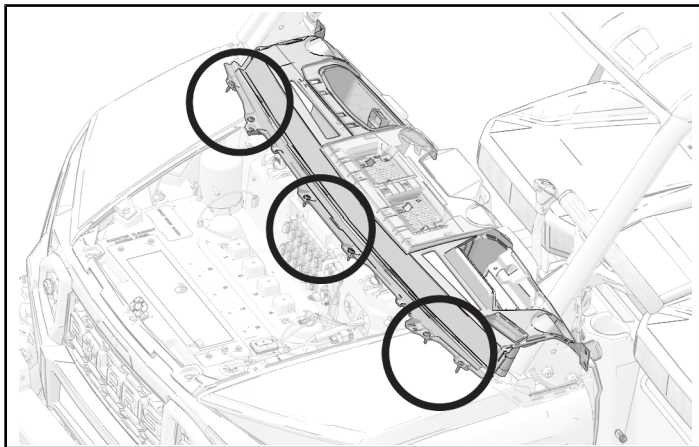
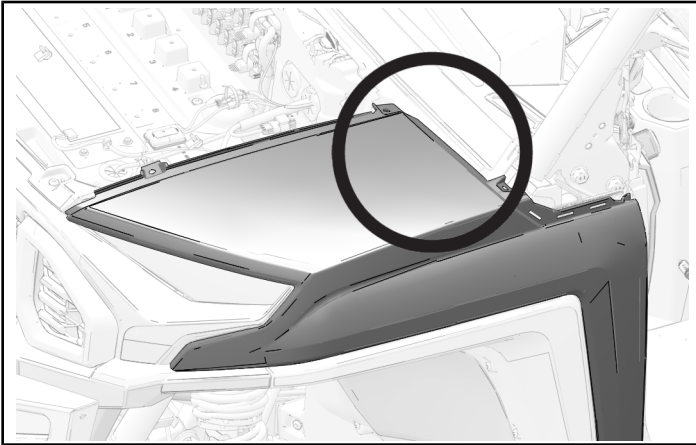
NOTICE

Left side shown; right side similar.

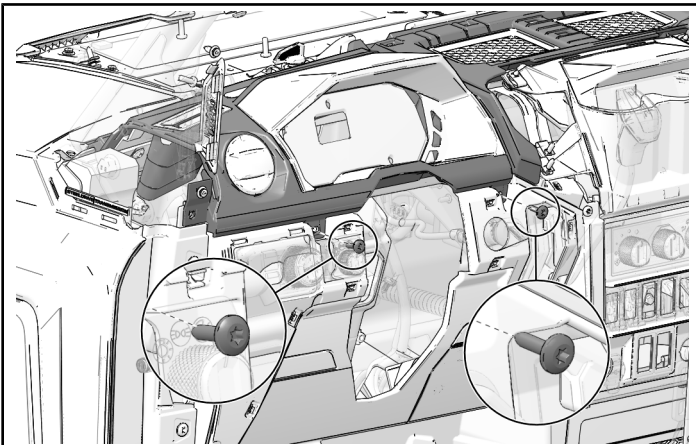
1. Remove three screws from front fender.



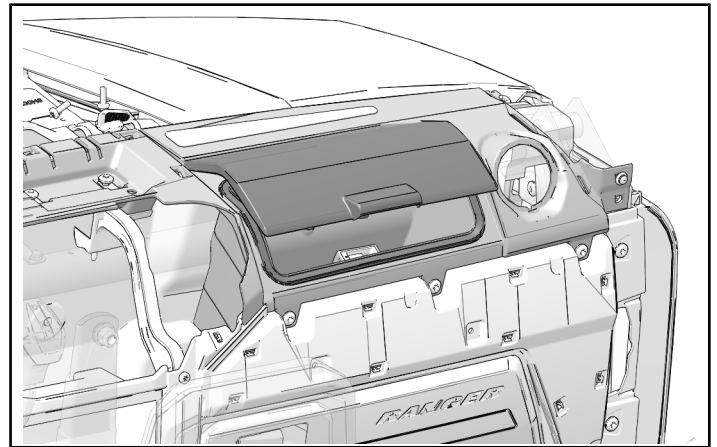
2. Remove six screws from upper dash. Screws will be under both front fenders.



3. On driver side, remove two screws from either side of the steering wheel.



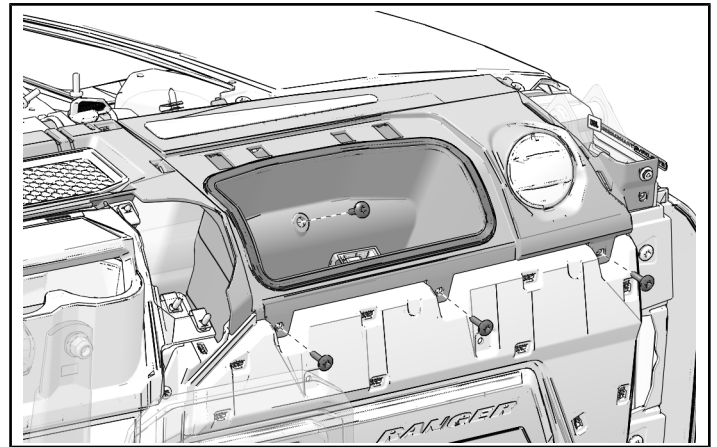
4. Open storage box lid on passenger side.



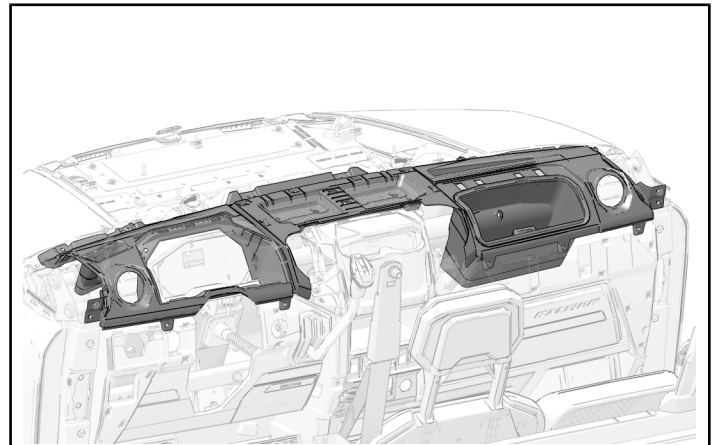
5. Remove one screw inside storage box, and three screws underneath storage box.

NOTICE

Storage lid hidden for clarity.



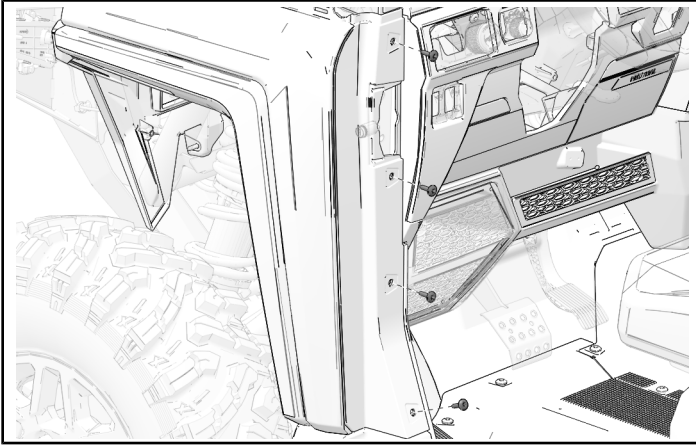
6. Remove upper dash from vehicle.



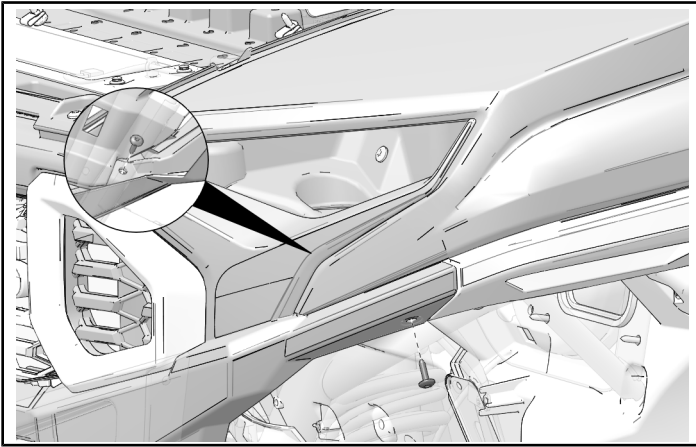
ACCESSORY INSTALLATION

FRONT LEFT FENDER REMOVAL

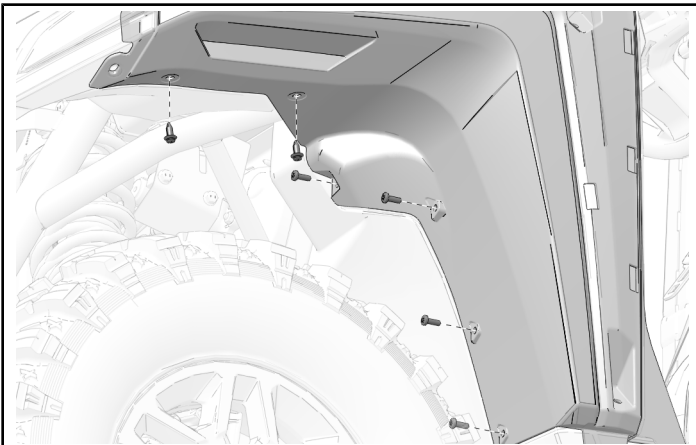
1. Remove and keep four screws from driver side behind left front fender.



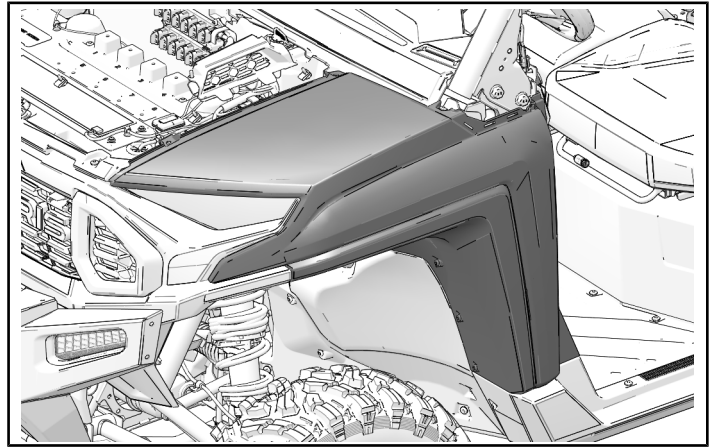
2. Remove and keep two screws near and underneath front left fender.



3. Remove two push pin rivets and four screws from under the fender.



4. Remove from left fender from vehicle.

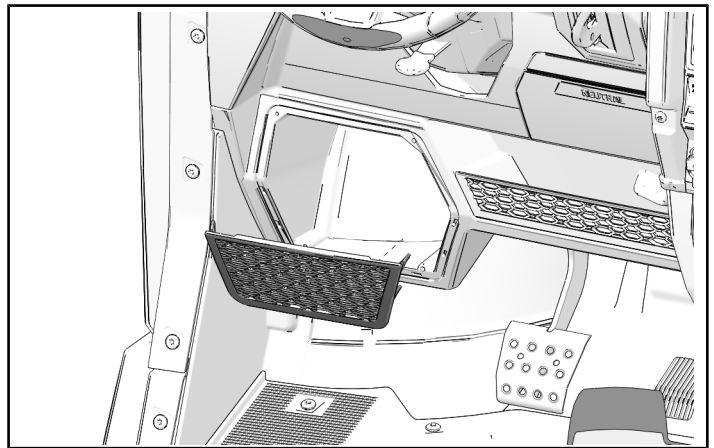


AMP INSTALLATION

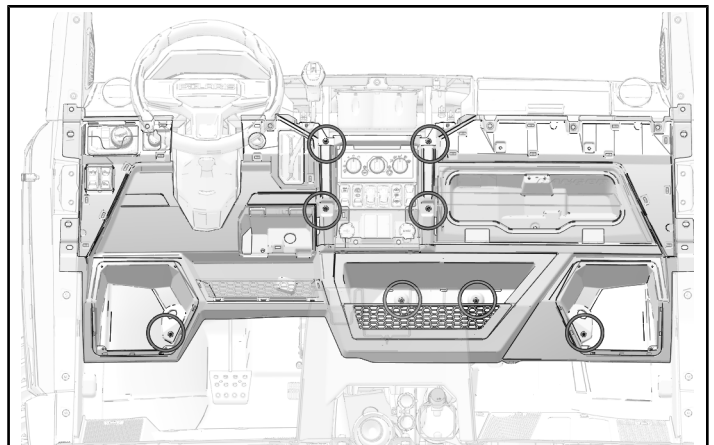
1. Remove storage bin nets from driver and passenger side.

NOTICE

Left side shown; right side similar.



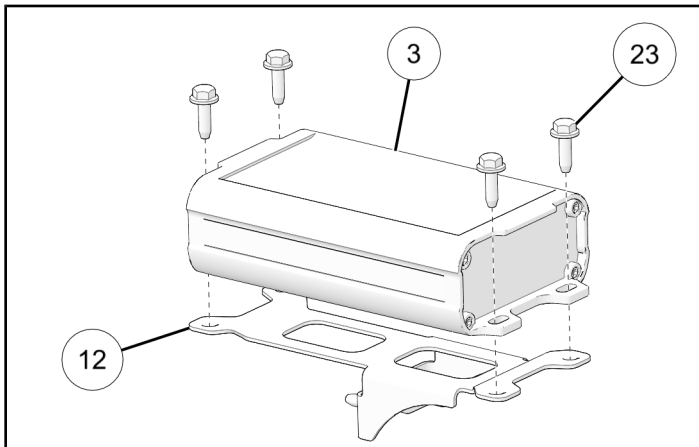
2. Remove and keep eight lower dash screws.



3. Install amp ③ onto bracket ⑫ using four screws ⑳. Torque screws to specification.

TORQUE

Screws ⑳:
70 in-lbs (8 N·m)



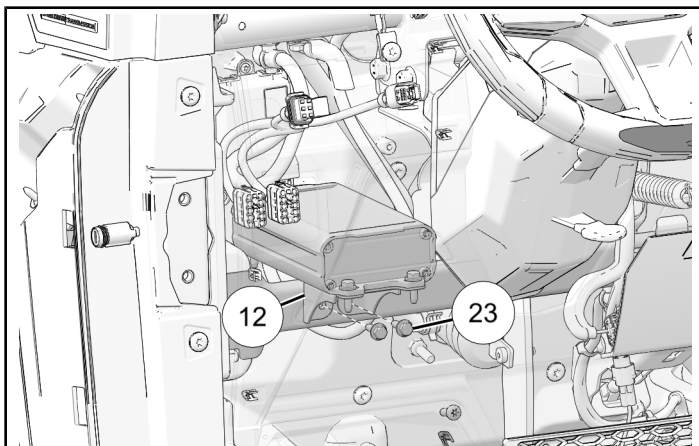
4. Move lower dash on driver side outward. Install bracket ⑫ assembly with two screws ⑳ onto vehicle dash support to the left of the steering wheel. Torque screws to specification.

NOTICE

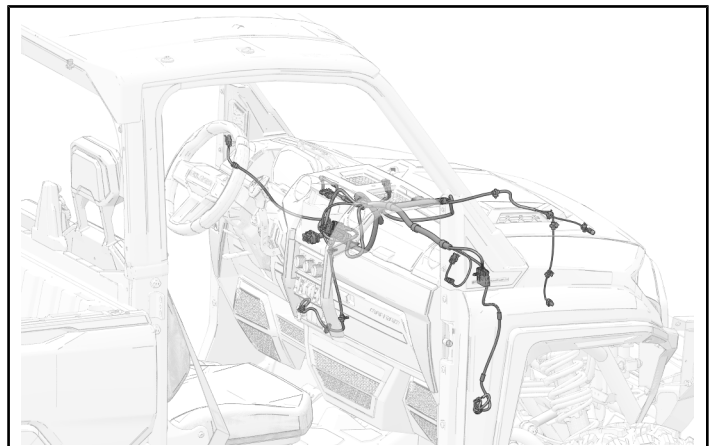
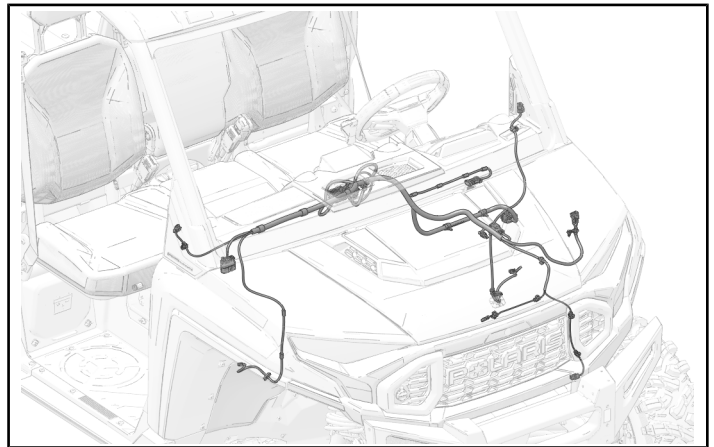
Lower dash hidden for clarity.

TORQUE

Screws ⑳:
70 in-lbs (8 N·m)

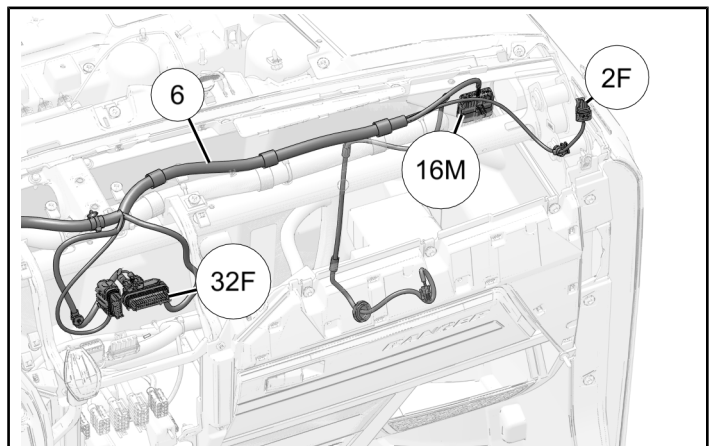


HARNES OVERVIEW

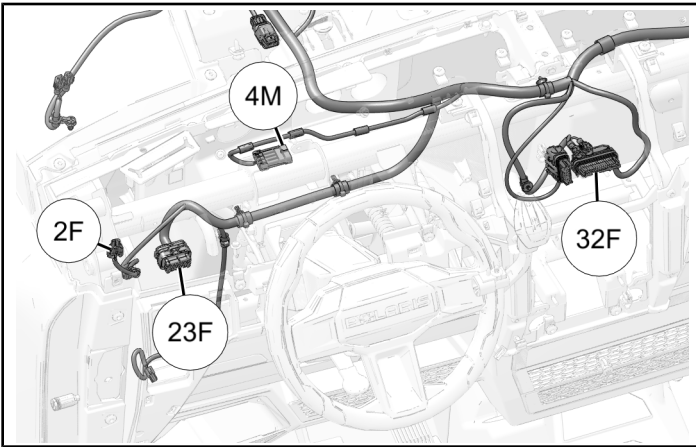


HARNES INSTALLATION

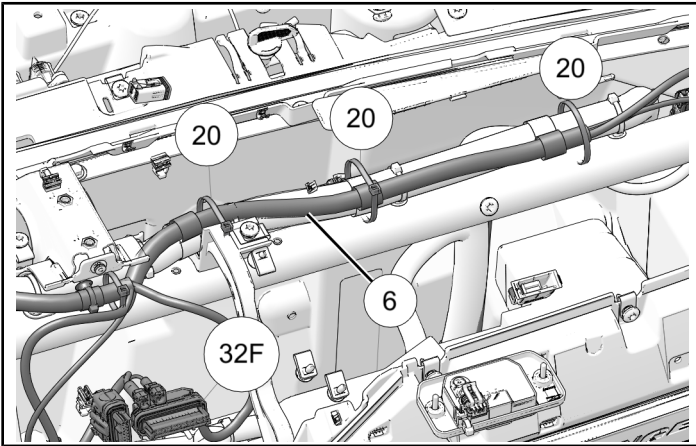
1. Put ride command harness ⑥ connector 32F in the middle of the dash tube or near center console. Route connectors 16M and 2F to the passenger side of the vehicle.



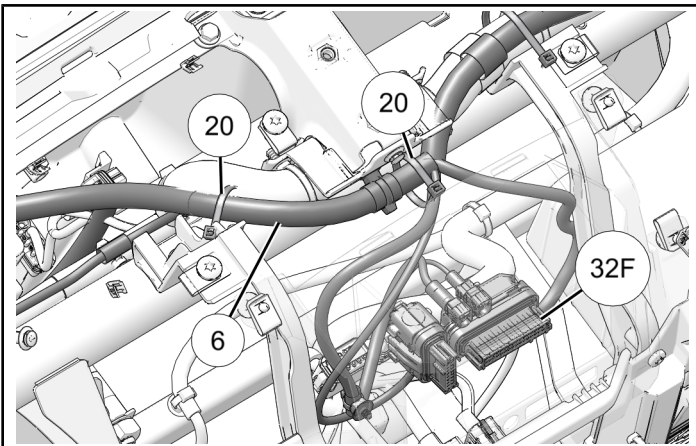
2. Route connectors **4M** and **2F** to the driver side of the vehicle.



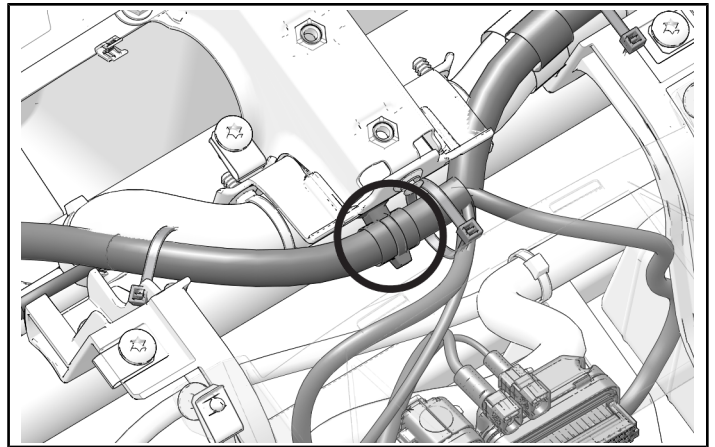
3. Install three cable ties **20** on right side of ride command harness **6** to vehicle harness.



4. Install two cable ties **20** near connector **32F** to vehicle harness

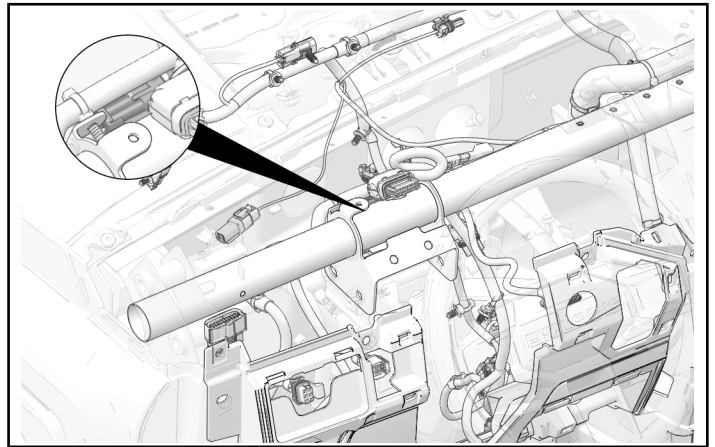


5. Install fir tree clip onto vehicle chassis.

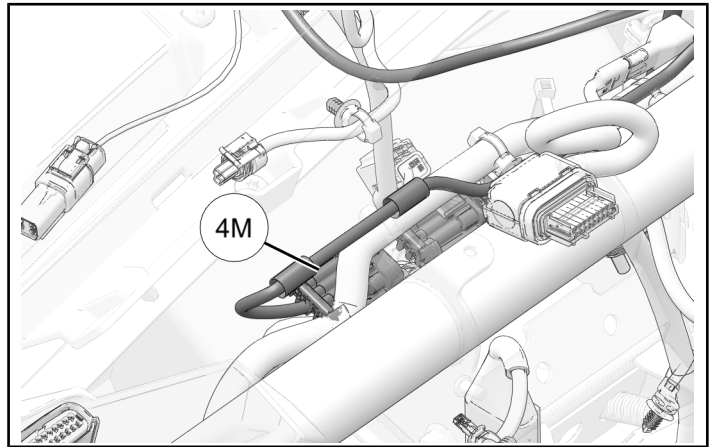


6. Remove cap from vehicle harness behind steering wheel.

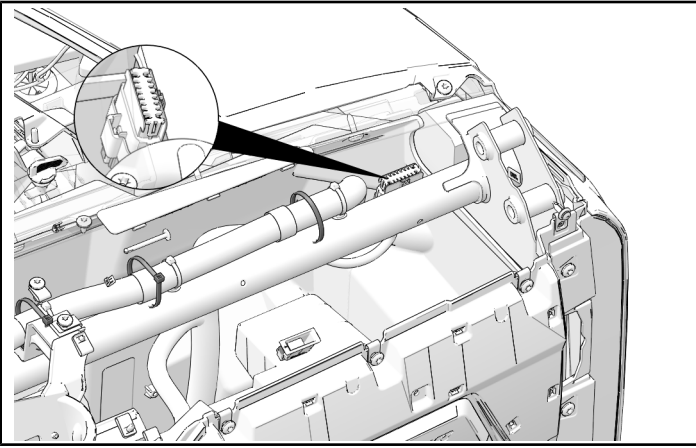
NOTICE
Steering wheel hidden for clarity.



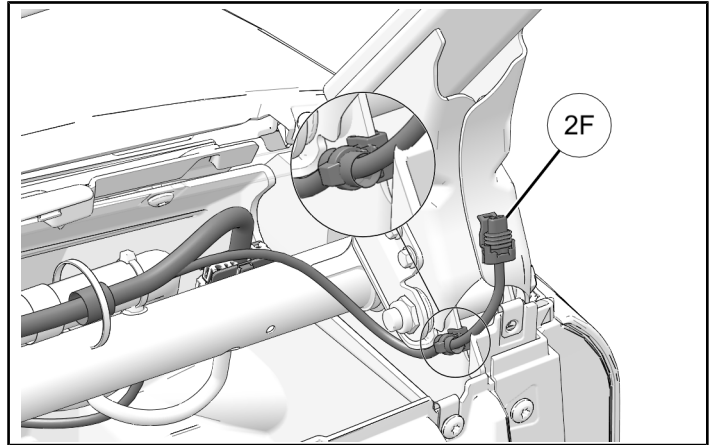
7. Connect connector **4M** to vehicle harness.



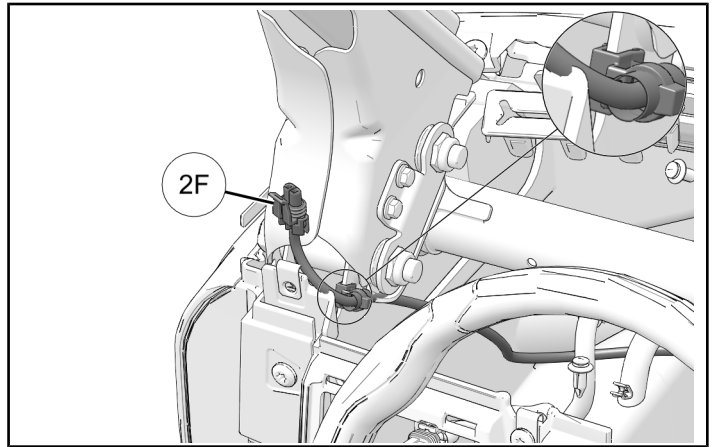
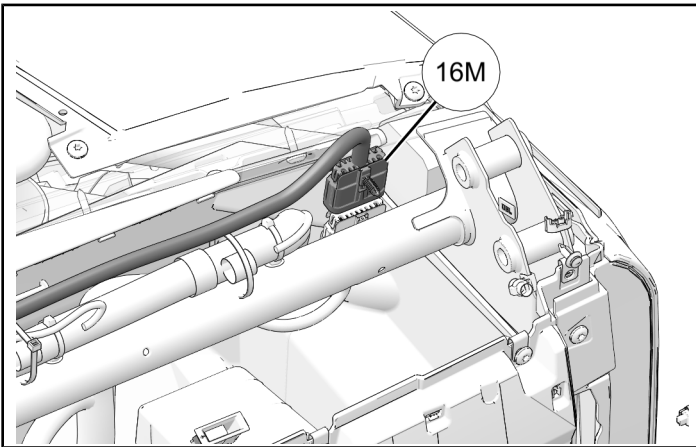
8. Remove cap from chassis harness near driver side of vehicle.



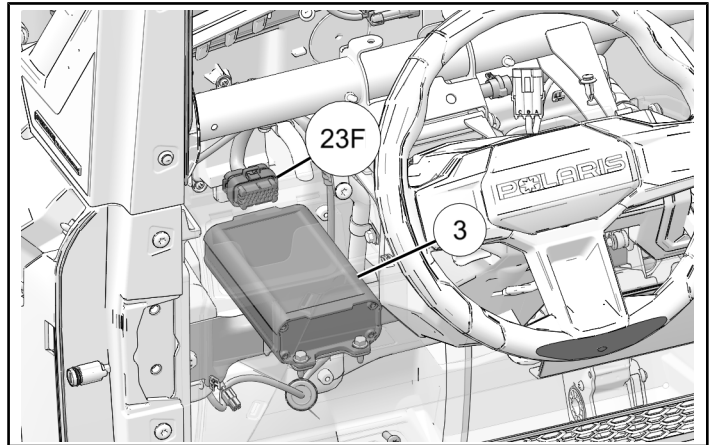
10. Install edge clips near both **2F** connectors to inner a-pillar.



9. Connect connector **16M** to chassis harness. Install connector **16M** to vehicle beam using fir tree clip.



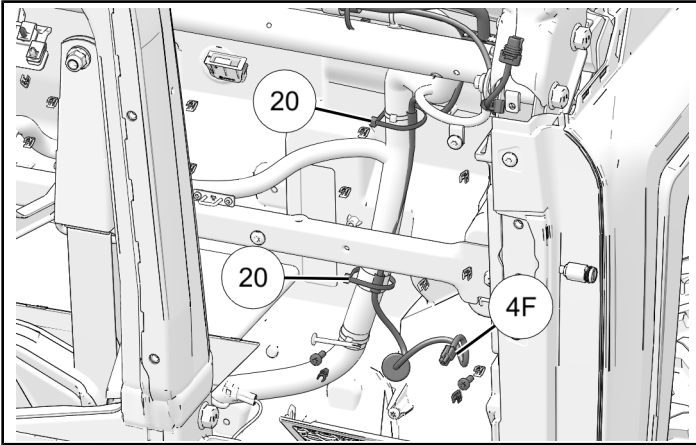
11. Connect connector **23F** to amp ③.



12. Install two cable ties ⑳ to vehicle harness near 4F connector on passenger side.

NOTICE

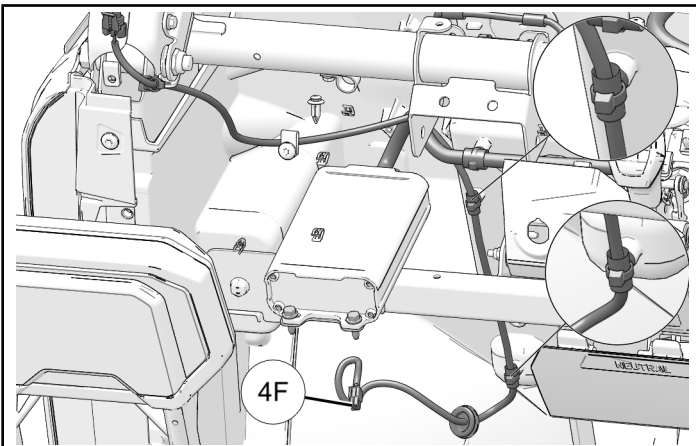
Some parts hidden for clarity.



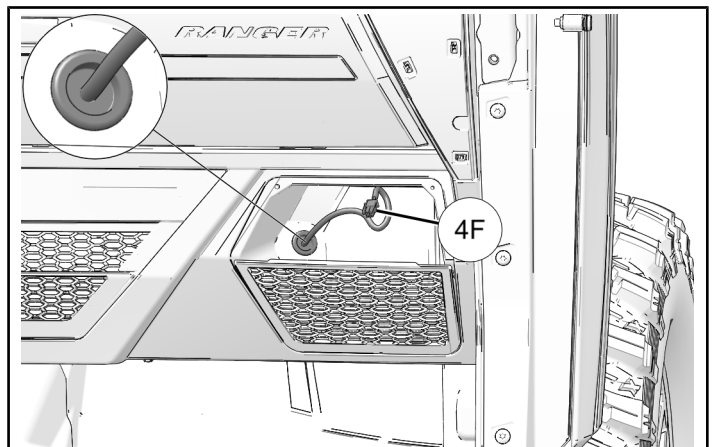
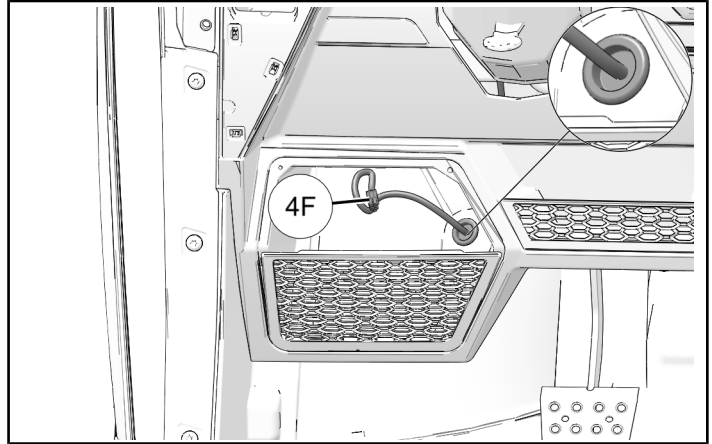
13. Install two fir tree clips into front close-off panel near 4F connector on driver side.

NOTICE

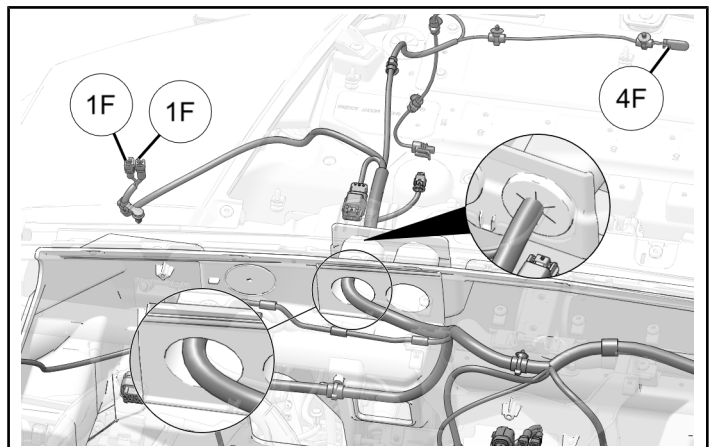
Some parts hidden for clarity.



14. Pull both 4F connectors through driver and passenger side storage holes. Make sure grommet is seated in holes.



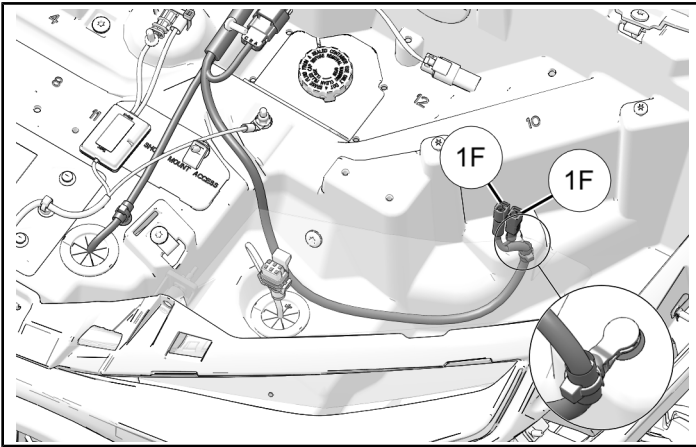
15. Route connectors 4F and two 1F through close-off panel grommet.



16. Route connectors **1F** underneath driver headlight. Attach connectors **1F** to underhood liner with edge clip.

NOTICE

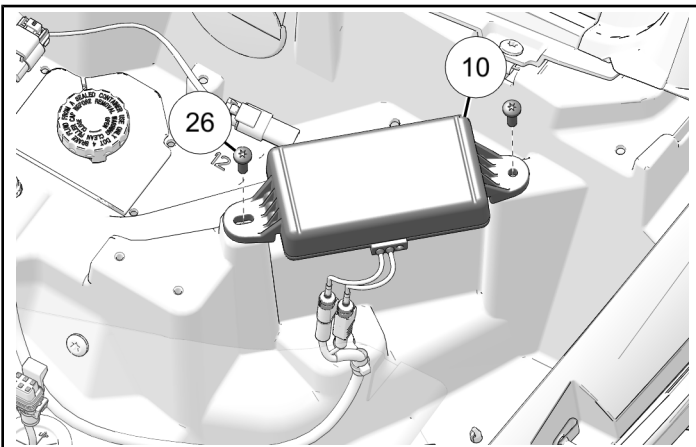
Driver headlight hidden for clarity.



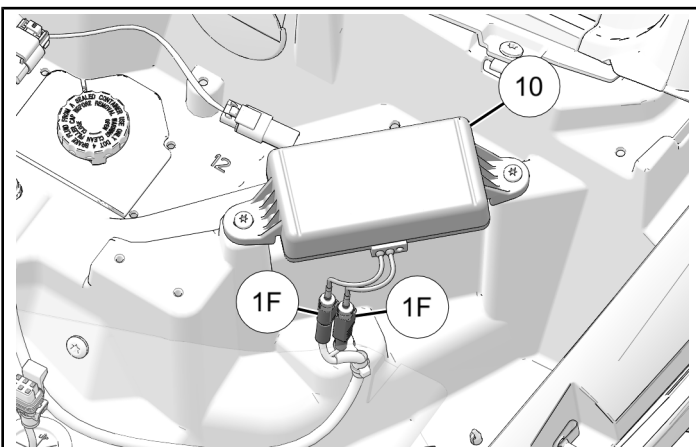
17. Install antenna **10** onto underhood liner with two screws **26**. Torque screws to specification.

TORQUE

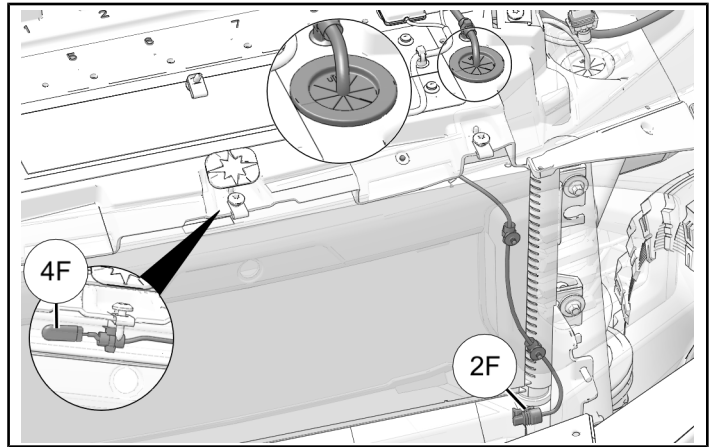
Screws **26**:
22 in-lbs (2.5 N·m)



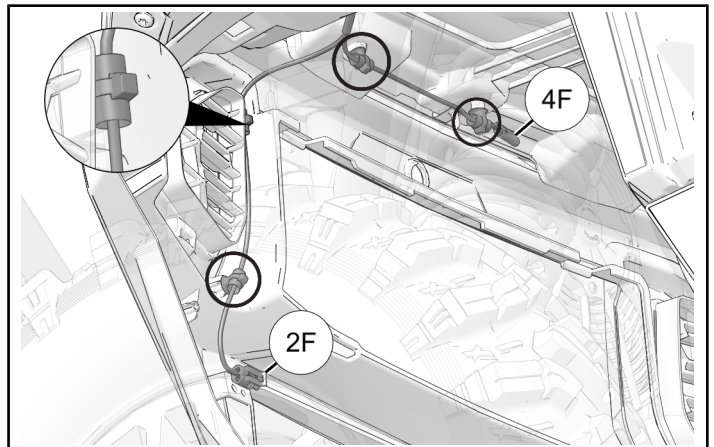
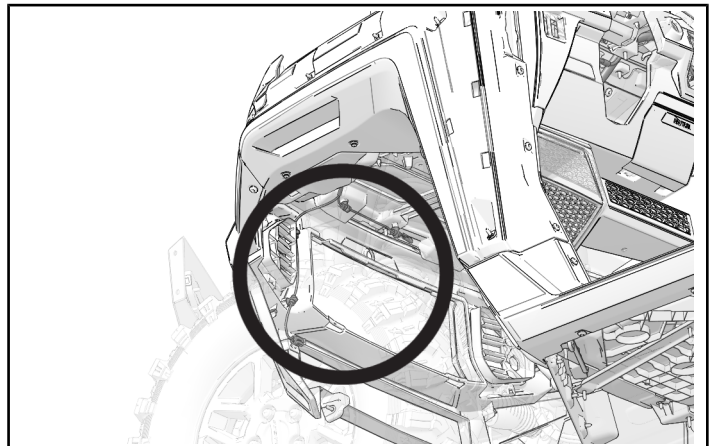
18. Connect antenna **10** to connectors **1F**.



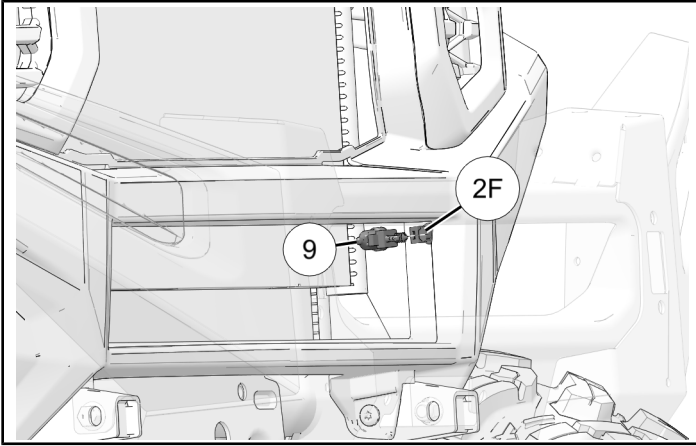
19. Route connectors **4F** and **2F** through grommet on underhood liner.



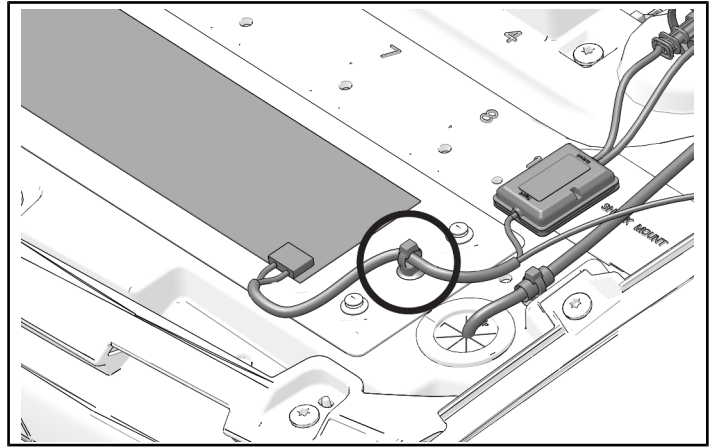
20. Attach four fir tree clips near connectors **4F** and **2F** onto front fascia and underhood liner.



21. Install sensor gauge ⑨ near bottom of front fascia with fir tree clip. Connect sensor gauge ⑨ to connector 2F.

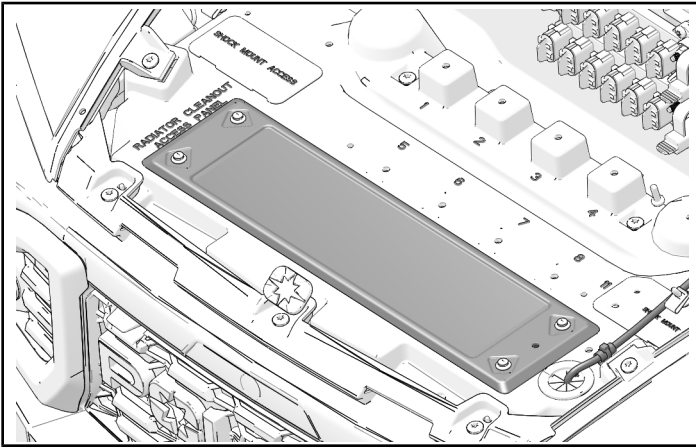


3. Install one fir tree clip on antenna harness into radiator cleanout access panel.

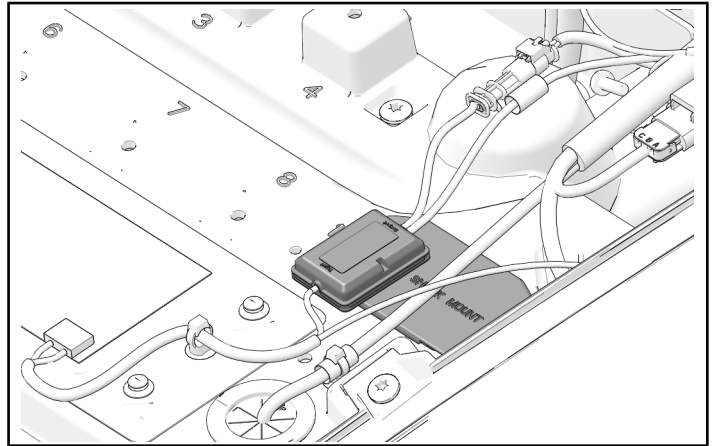


ANTENNA INSTALLATION

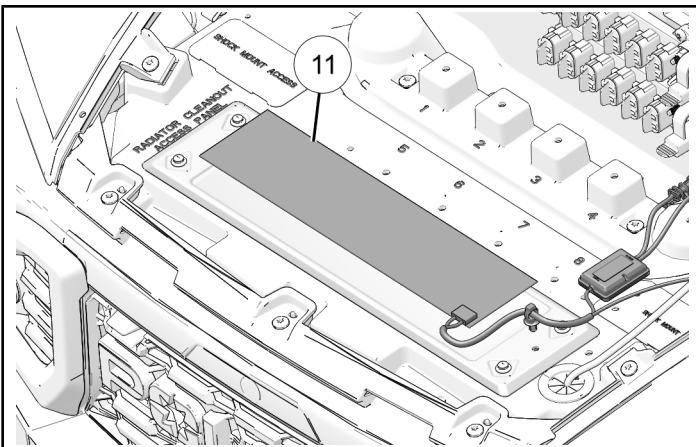
1. Clean radiator cleanout access panel with a soft cloth and isopropyl alcohol.



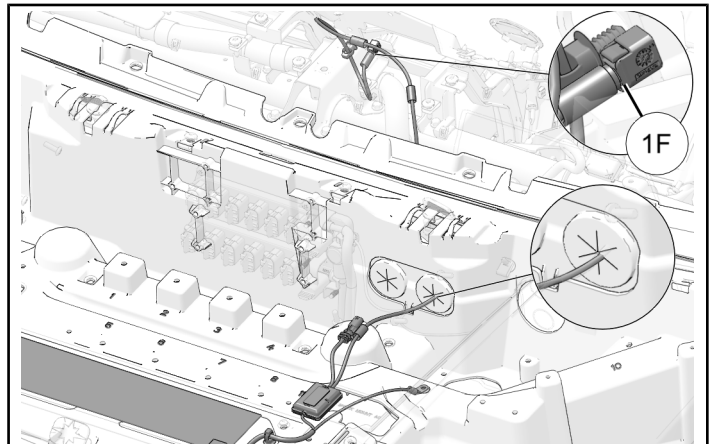
4. Install antenna receiver box into two shock mount panel holes.



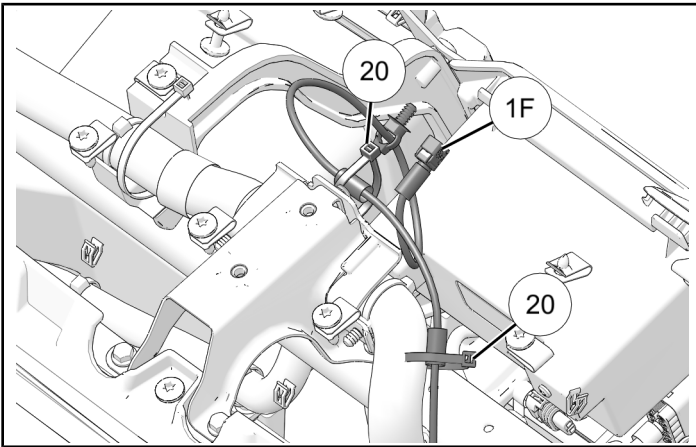
2. Remove adhesive backing from antenna ⑪ and attach antenna to radiator cleanout access panel. Start from one corner of the antenna.



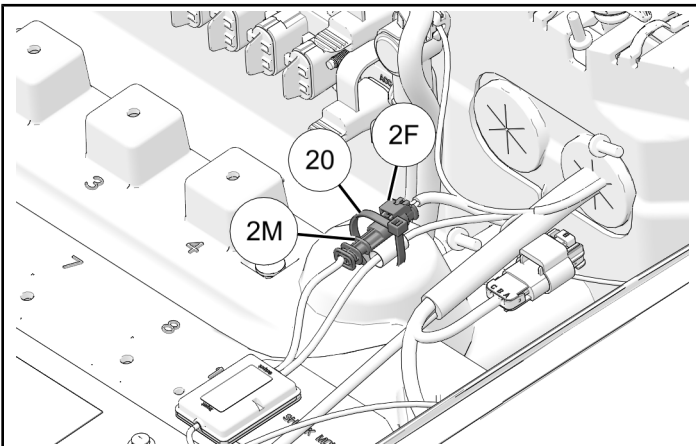
5. Route connector 1F through close-off panel grommet towards center console.



- Attach antenna harness to vehicle harness with two cable ties (20).



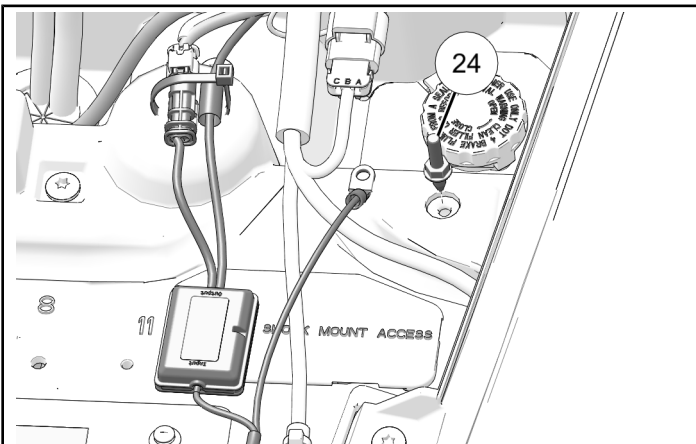
- Connect antenna connector 2M to main audio harness connector 2F. Attach wiring to existing vehicle wiring using cable tie (20).



- Install stud (24) into underhood liner. Torque stud to specification.

TORQUE

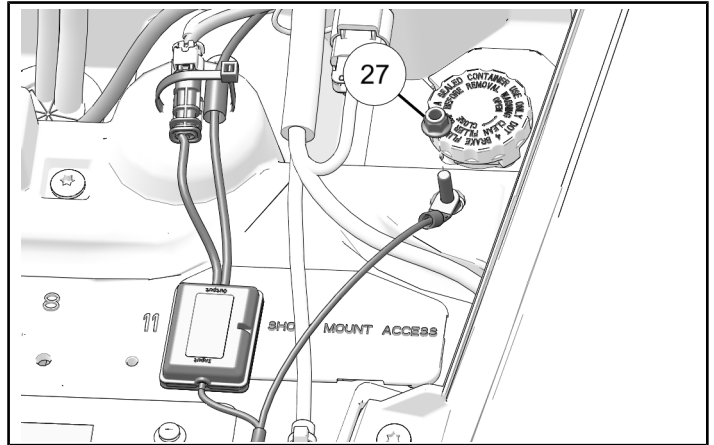
Stud (24):
70 in-lbs (8 N·m)



- Install antenna terminal to stud using nut (27). Torque nut to specification.

TORQUE

Nut (27):
44 in-lbs (5 N·m)



FRONT SPEAKER INSTALLATION

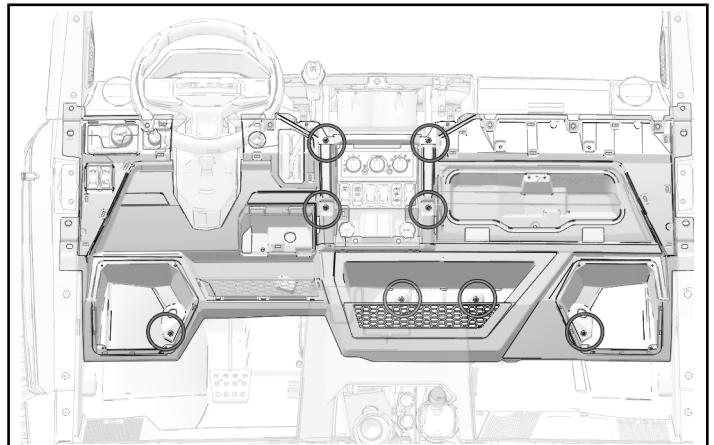
NOTICE

Left side shown; right side similar.

- Install lower dash onto vehicle with eight kept screws. Torque screws to specification.

TORQUE

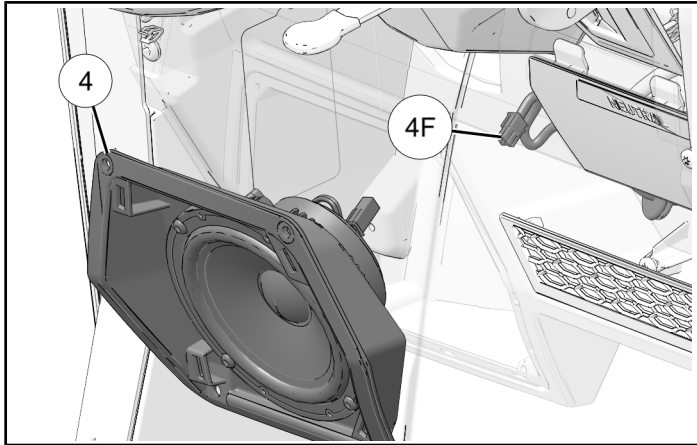
Screws:
22 in-lbs (2.5 N·m)



2. Connect main audio harness **4F** to front speaker **4**.

NOTICE

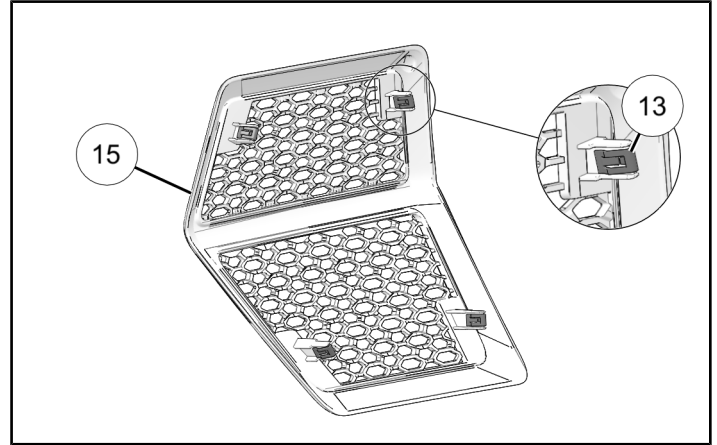
Lower dash hidden for clarity.



4. Install four plastic clips **13** onto plastic speaker grille **15**.

NOTICE

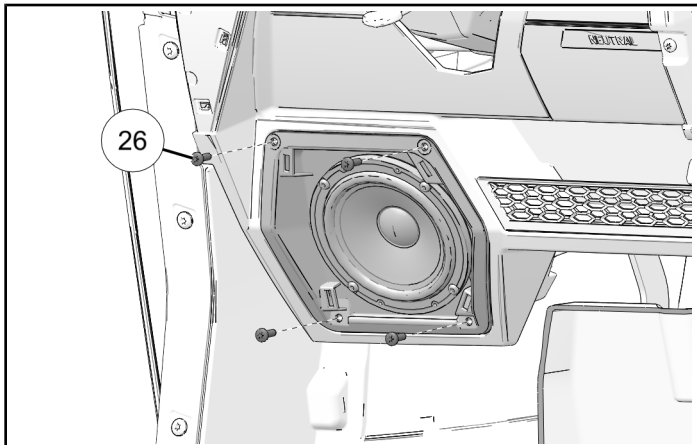
Left piece shown; right piece similar.



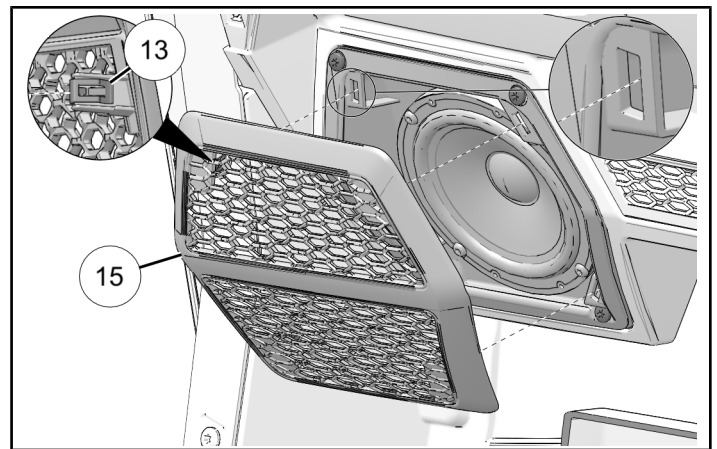
3. Install four screws **26** onto speaker holes. Torque screws to specification.

TORQUE

Screws **26**:
22 in-lbs (2.5 N·m)



5. Install plastic speaker grille **15** onto front speaker. Make sure plastic clips **13** are installed into the four speaker slots.



TWEETER PREPARATION

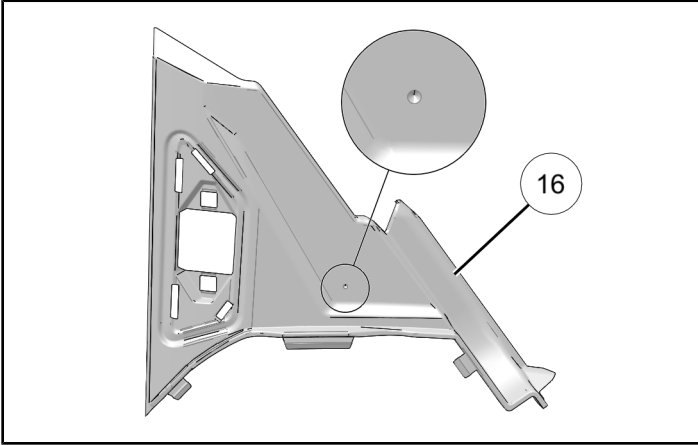
NOTICE

Right piece shown; left piece similar.

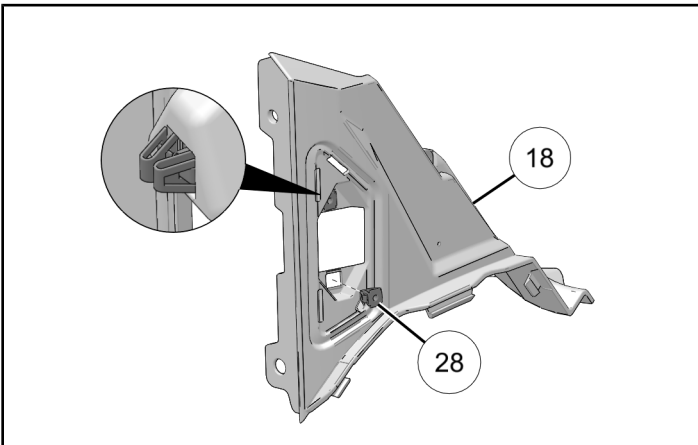
1. If tip out windshield is equipped: Drill into a-pillar audio cover ⑯ dimple.

MEASUREMENT

Drill Bit Size:
5/8 in (15.875 mm)



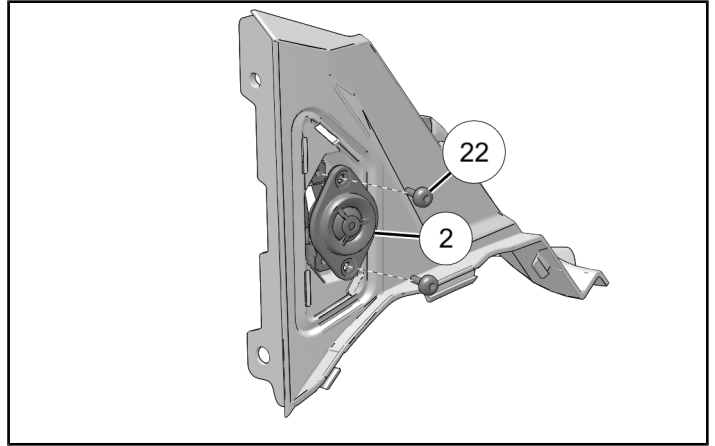
2. Install two pal nuts ⑳ into a-pillar audio cover ⑯.



3. Install tweeter assembly ② into a-pillar audio cover with two screws ㉒. Torque screws to specification.

TORQUE

Screws ㉒:
30 in-lbs (3.5 N·m)

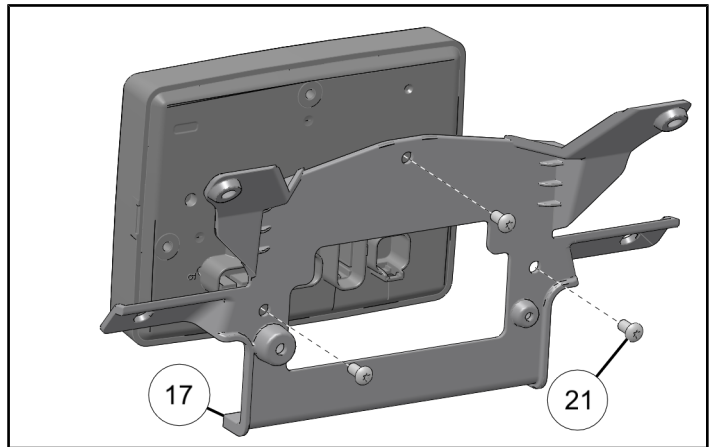


HEAD UNIT PREPARATION

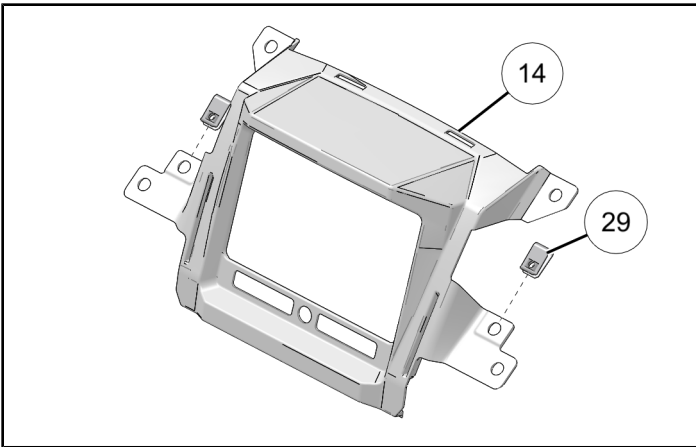
1. Install support panel ⑰ onto ride command display with three screws ㉑. Torque screws to specification.

TORQUE

Screws ㉑:
30 in-lbs (3.5 N·m)



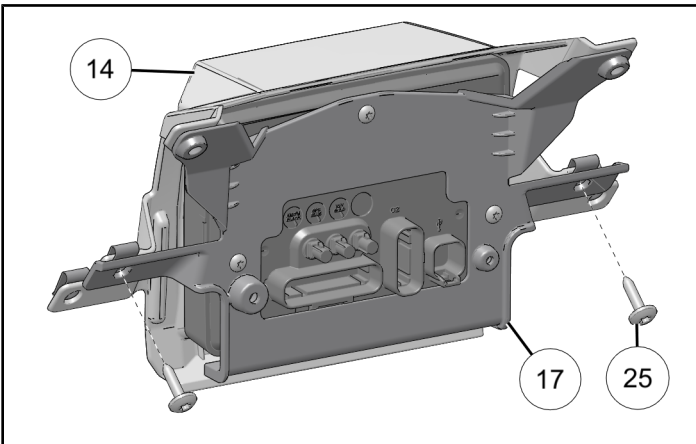
2. Install two u-nuts ⑲ onto bezel display ⑭.



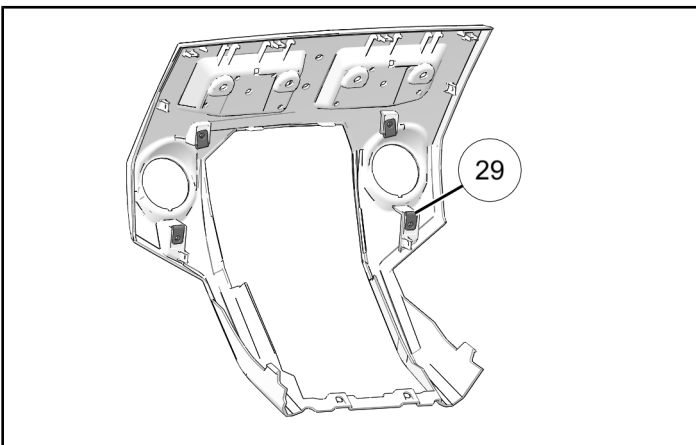
3. Install support panel assembly ⑰ onto bezel display assembly ⑭ with two screws ⑳. Torque screws to specification.

TORQUE

Screws ⑳:
30 in-lbs (3.5 N·m)



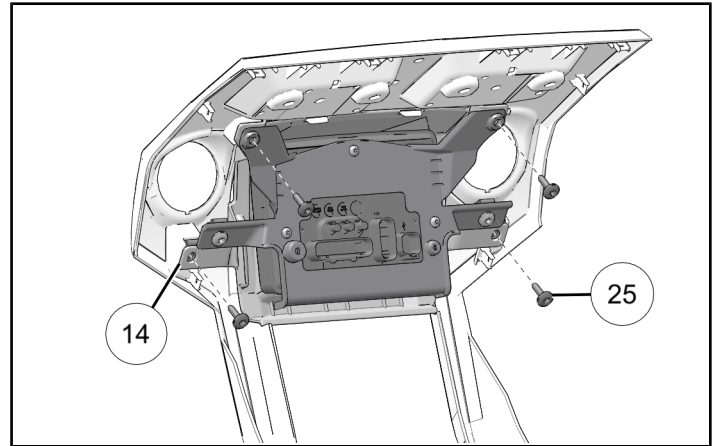
4. Install four u-nuts ⑲ into kept dash trim display.



5. Install bezel display assembly ⑭ onto kept dash trim display with four screws ㉕. Torque screws to specification.

TORQUE

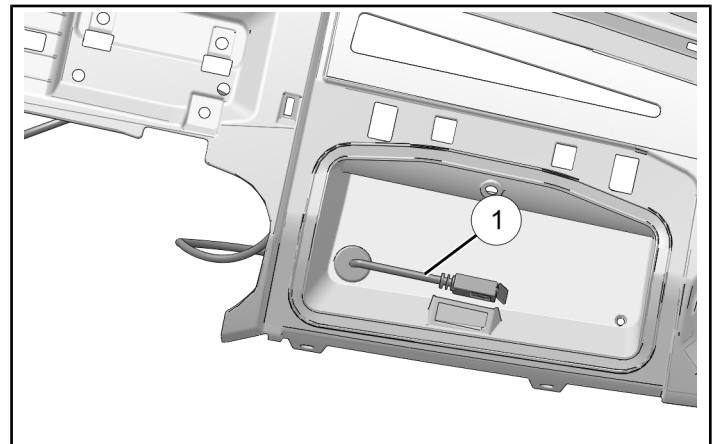
Screws ㉕:
30 in-lbs (3.5 N·m)



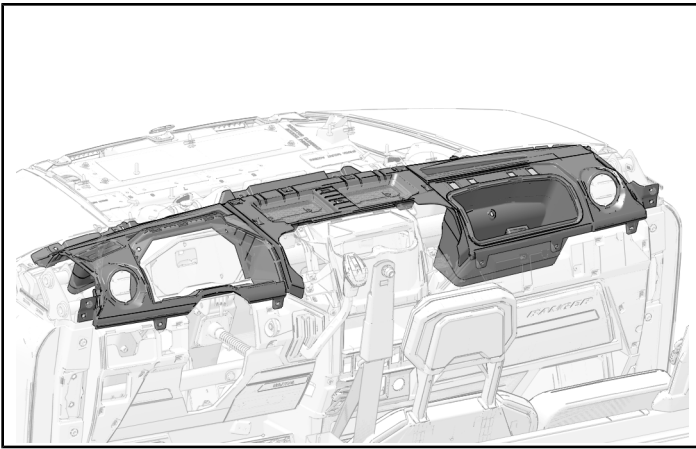
VEHICLE REASSEMBLY

UPPER DASH INSTALLATION

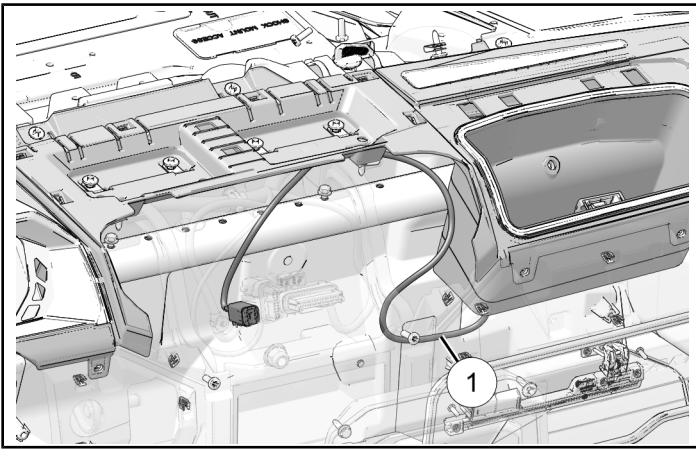
1. Install USB harness ① into storage box hole in upper dash on passenger side. Make sure that grommet is seated firmly.



2. Install upper dash onto vehicle.



3. Route USB harness ① towards the center console. Use cable ties ② if needed to attach harness to vehicle harness.



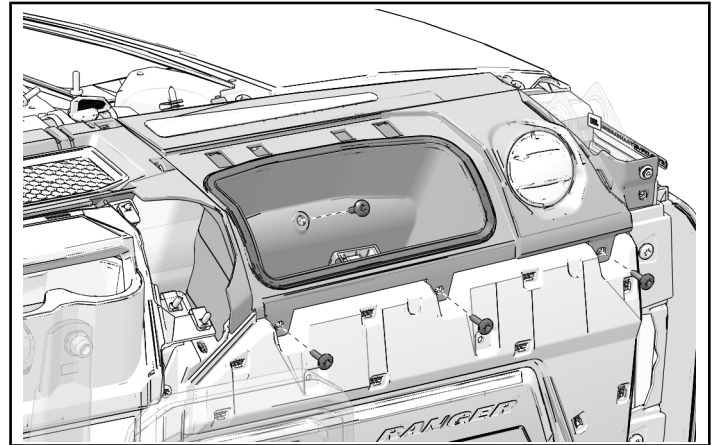
4. Install one screw inside storage box, and three screws underneath storage box. Torque screws to specification.

NOTICE

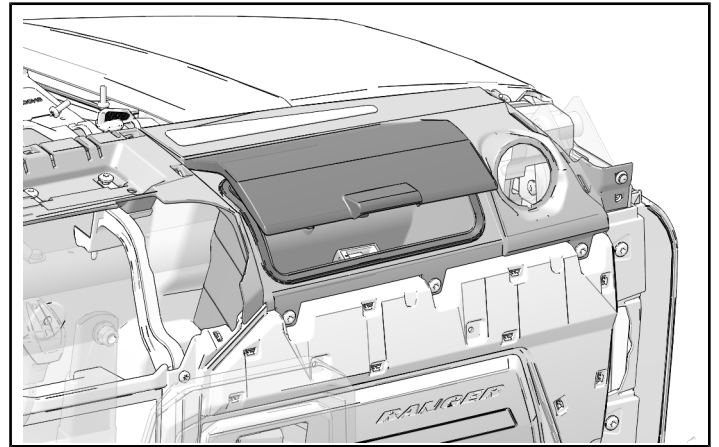
Storage lid hidden for clarity.

TORQUE

Screws:
30 in-lbs (3.5 N·m)



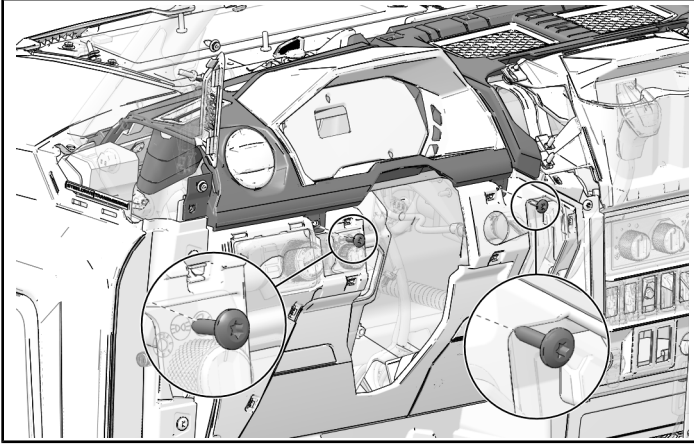
5. Close storage box lid on passenger side.



6. On driver side, install two screws from either side of the steering wheel. Torque screws to specification.

TORQUE

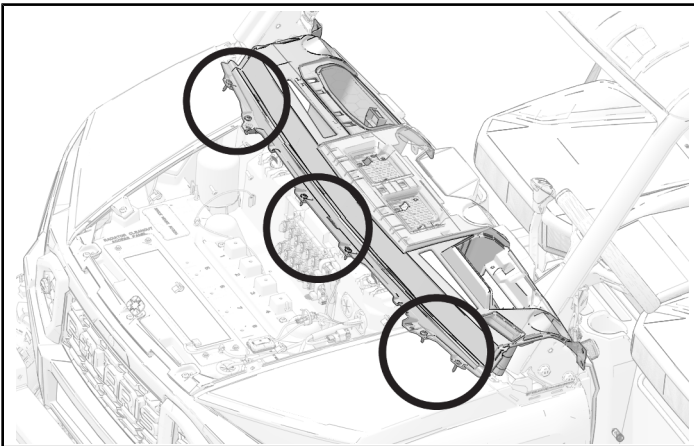
Screws:
30 in-lbs (3.5 N·m)



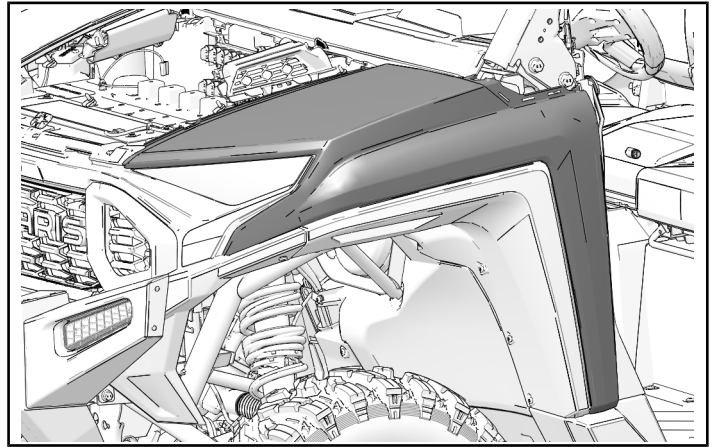
7. Install six screws into upper dash, two underneath passenger fender. Torque screws to specification.

TORQUE

Screws:
30 in-lbs (3.5 N·m)



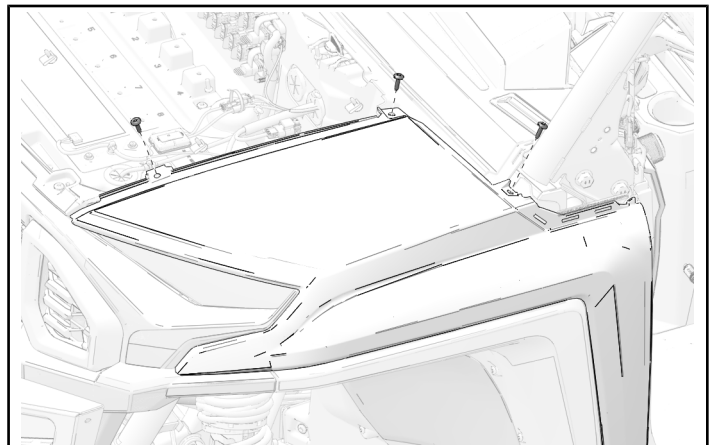
8. Install front driver fender onto vehicle.



9. Install three screws into driver fender. Torque screws to specification.

TORQUE

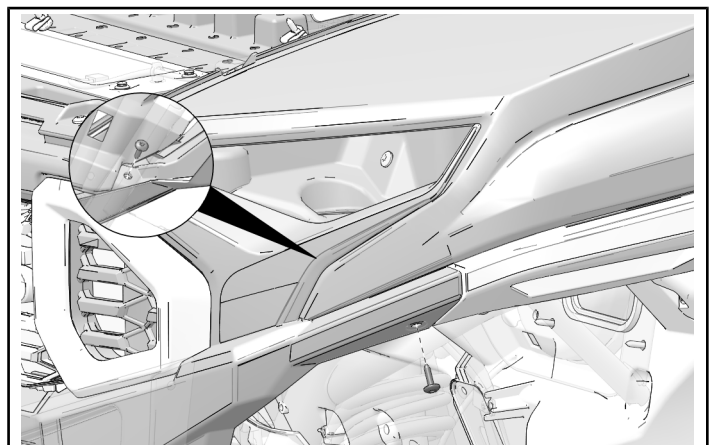
Screws:
30 in-lbs (3.5 N·m)



10. Install two screws in front of driver fender. Torque screws to specification.

TORQUE

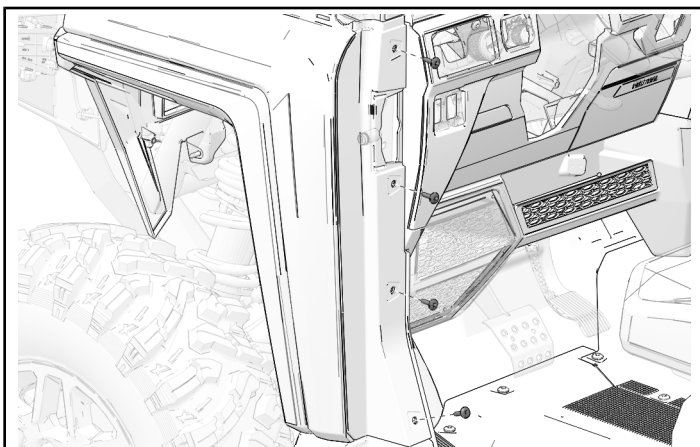
Screws:
30 in-lbs (3.5 N·m)



11. Install four screws into driver side cabin. Torque screws to specification.

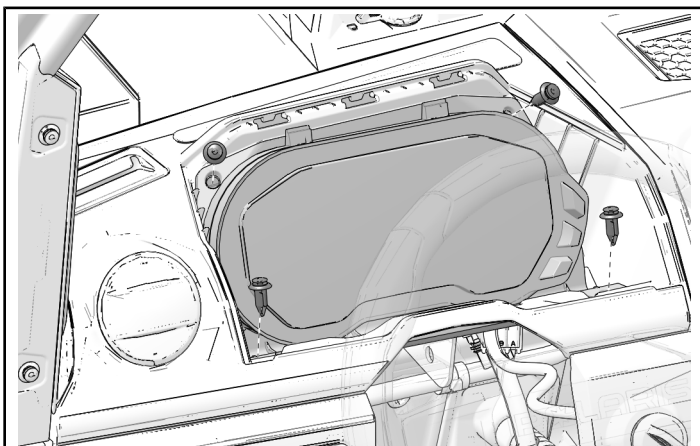
TORQUE

Screws:
30 in-lbs (3.5 N·m)

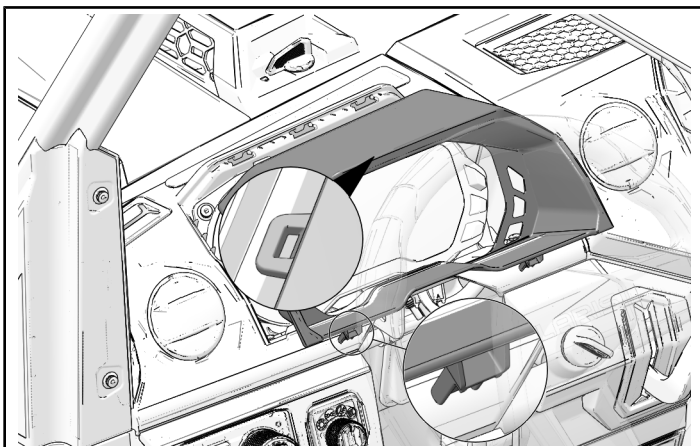


INSTRUMENT CLUSTER INSTALLATION

1. Install instrument cluster onto vehicle with four push-pin rivets.

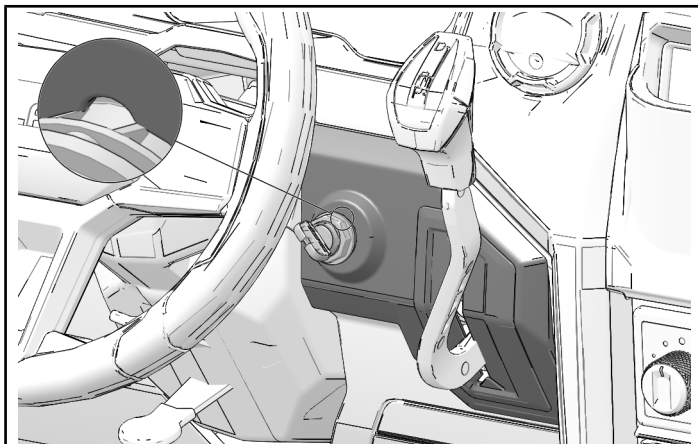


2. Install bottom clip of instrument bezel, then top clips.

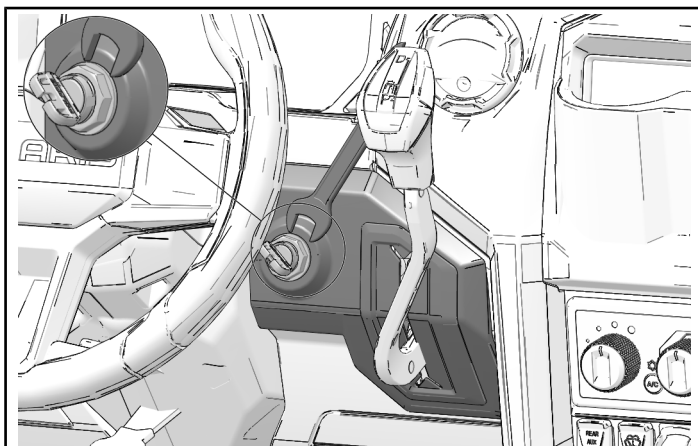


DRIVER, PASSENGER AND SHIFTER TRIM INSTALLATION

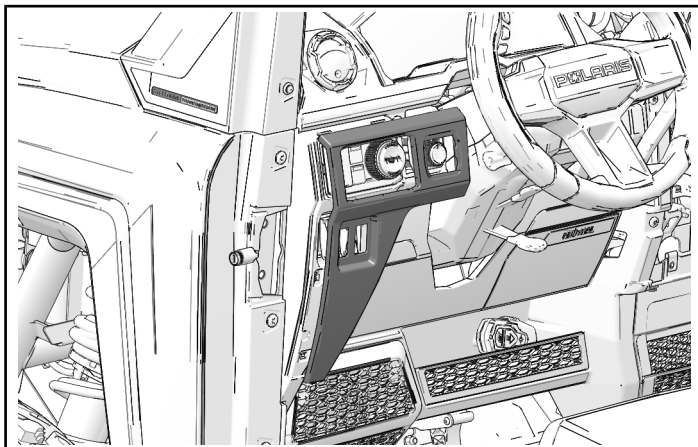
1. Install shifter trim. Make sure notch on shifter trim lines up with notch on key.



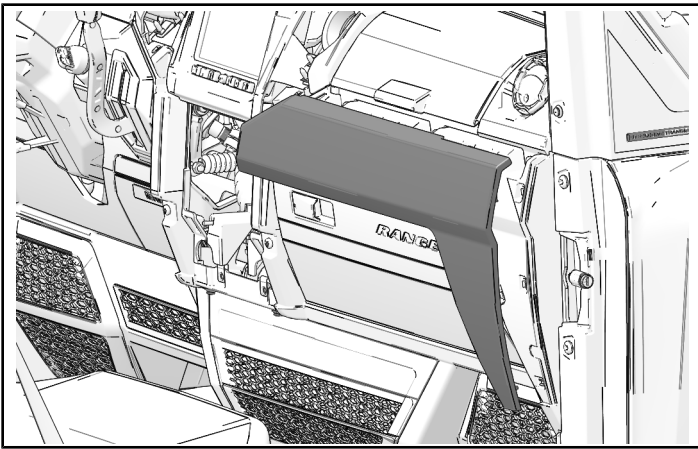
2. Install plastic nut around key. Install key if needed.



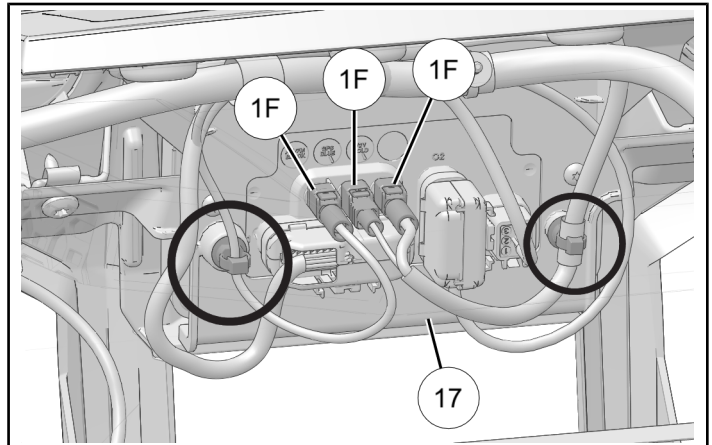
3. Install trim onto driver side with clips. Connect any connections.



4. Install trim on passenger side with clips.

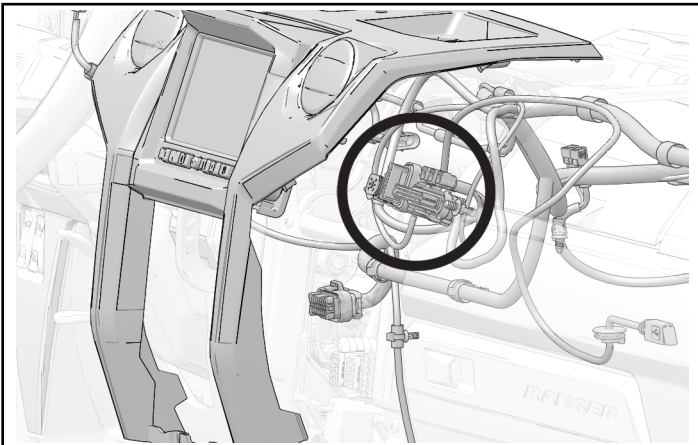


2. Install fir tree clip into support panel 17 near the three 1F connectors.

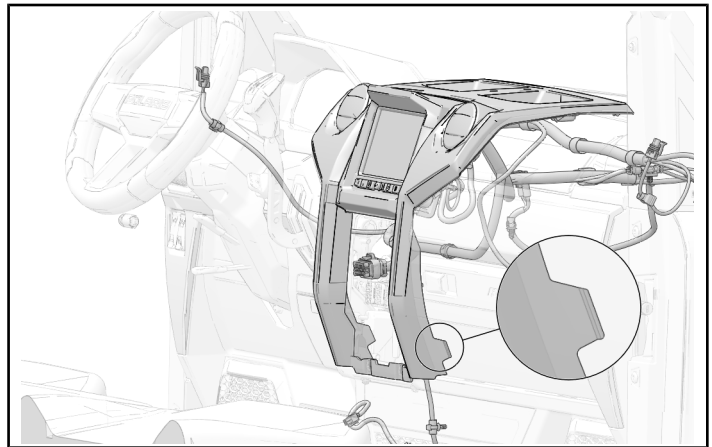


UPPER CENTER DASH TRIM INSTALLATION

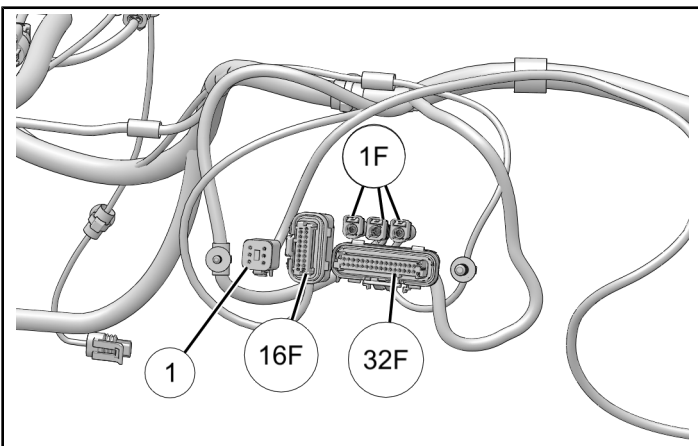
1. Connect three 1F connectors from harness to ride command display. Connect harness connector 16F, 32F, and USB harness 1 to ride command display.



3. Install dash trim onto vehicle with two bottom tabs.

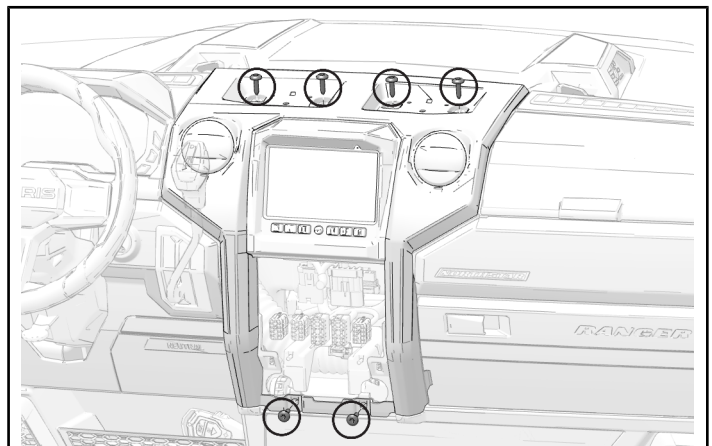


4. Attach upper center dash trim panel with four screws on top and two screws on lower edge of panel. Torque screws to specification.



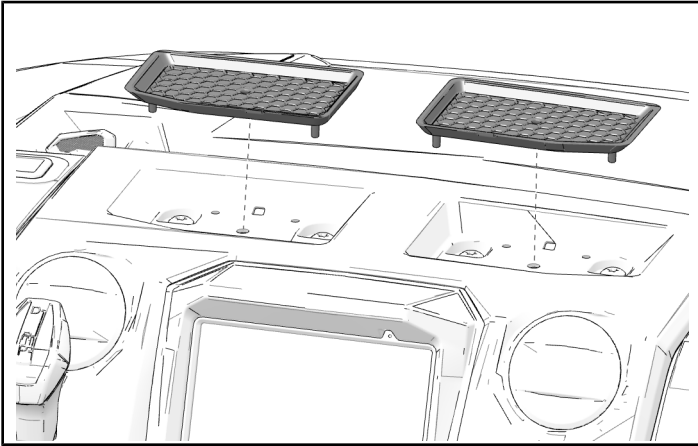
TORQUE

Dash Panel Trim Screws:
31 in-lbs (3.5 N-m)

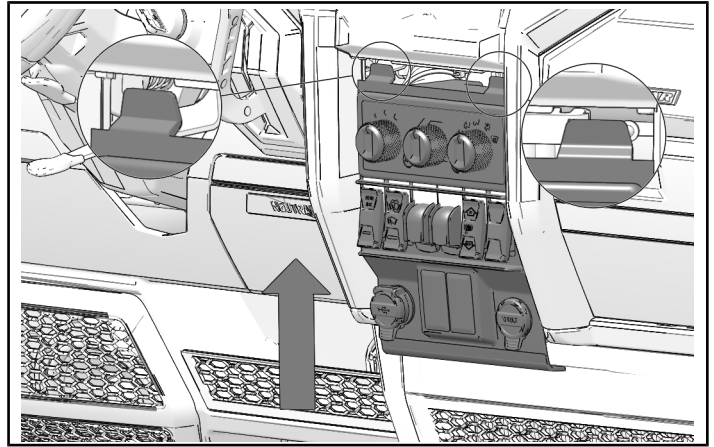


UPPER DASH TRAY INSTALLATION

1. Install two upper dash trays into upper dash.

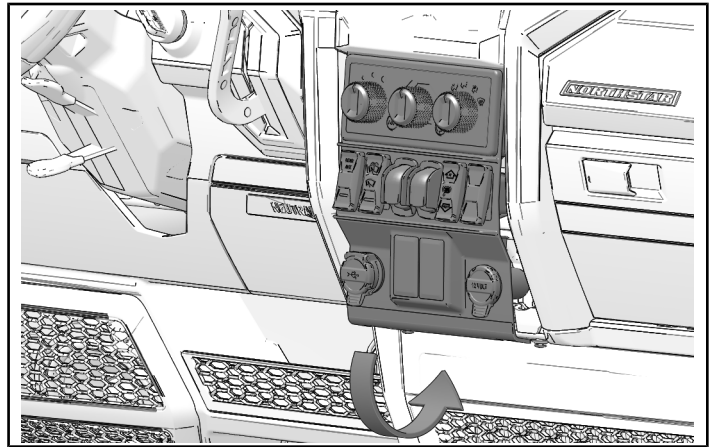
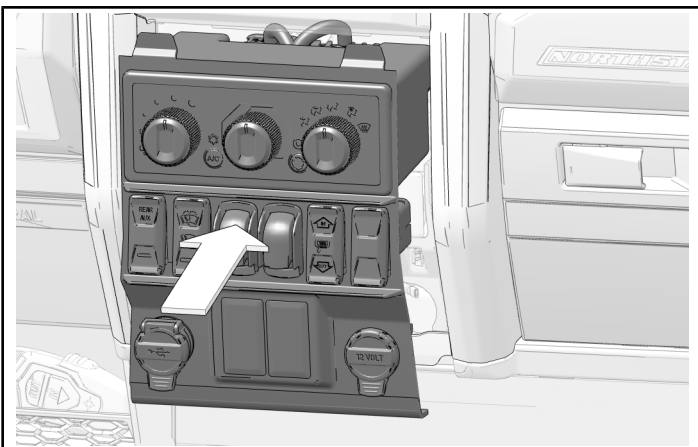


2. Move control panel trim up and forward to install two top tabs.

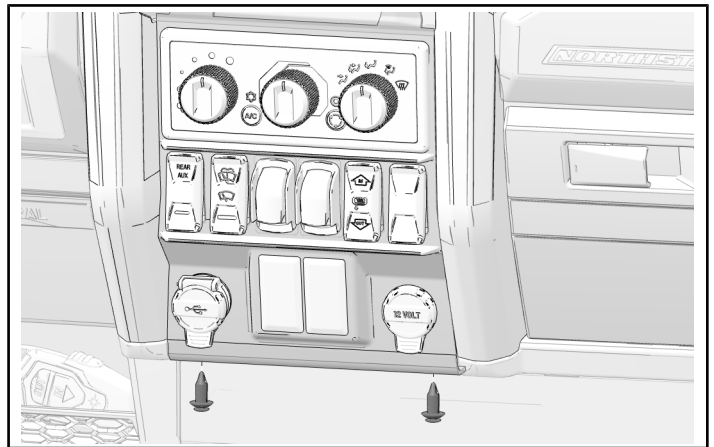


CENTER DASH HVAC CONTROL PANEL TRIM INSTALLATION

1. Connect any wire connectors and install center dash HVAC control panel trim assembly.



3. Attach with two push-pin rivets.

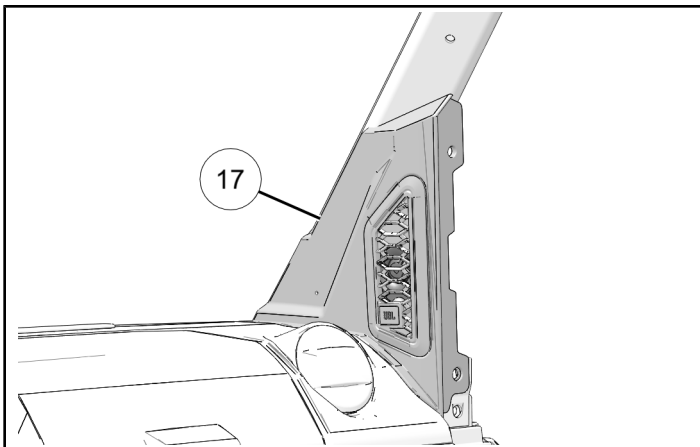


A-PILLAR INSTALLATION

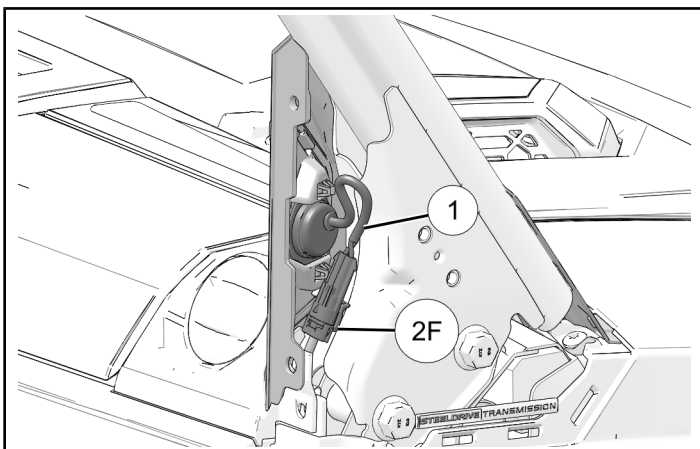
NOTICE

Right side shown; left side similar.

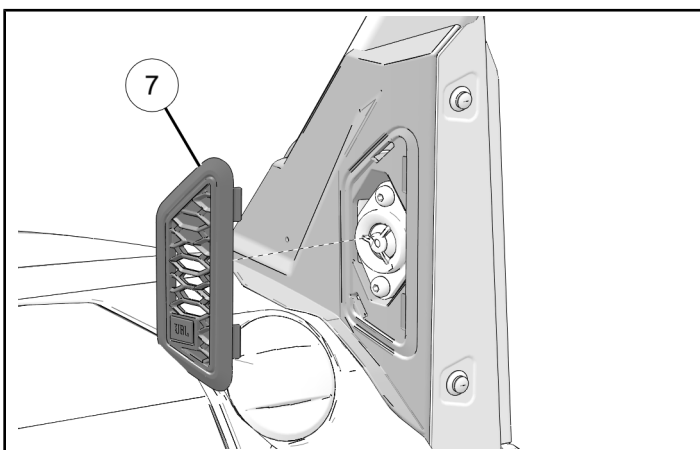
1. Install a-pillar inner cover ⑰ onto vehicle.



2. Connector tweeter ① connector to main audio harness connector 2F.

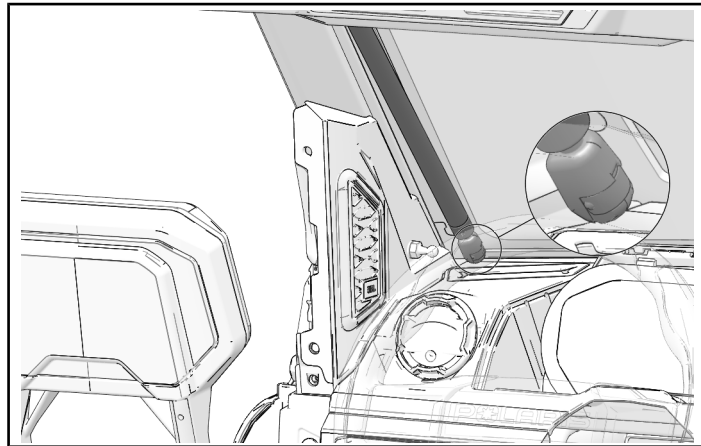


3. Install tweeter grill ⑦ onto a-pillar cover.

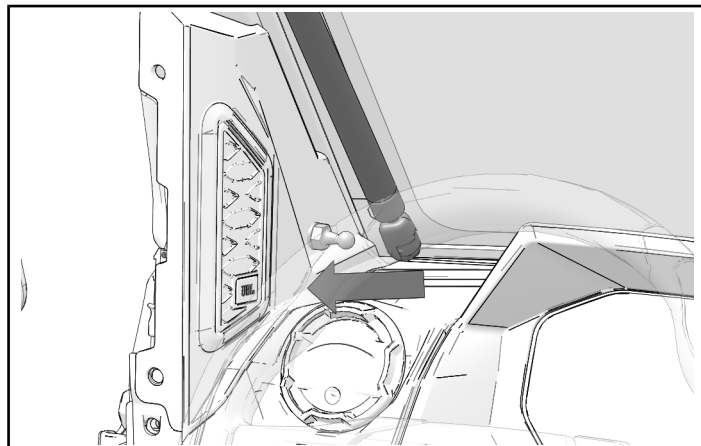


IF EQUIPPED WITH TIP OUT WINDSHIELD

1. Move clip onto windshield shock end until it is seated inside.

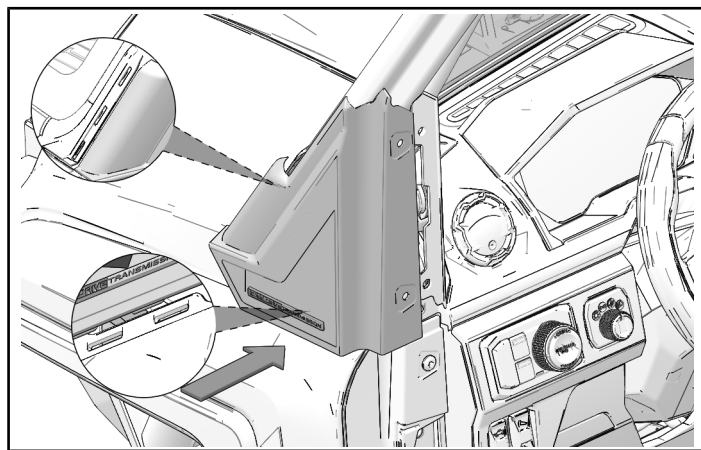


2. Install shock end onto ball end.

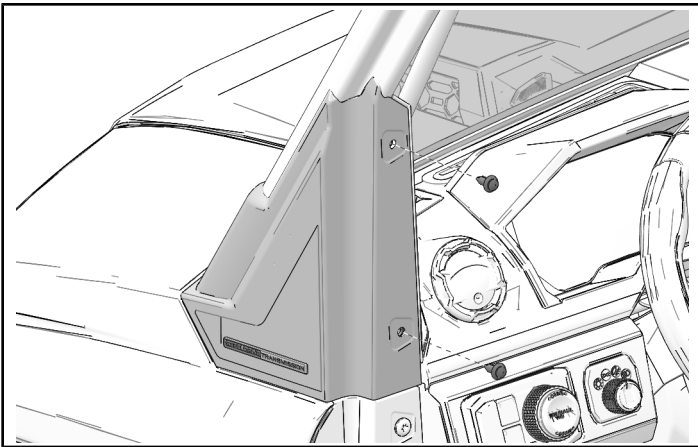


A-PILLAR OUTER PANEL INSTALLATION

1. Put a-pillar panel onto pillar. Make sure the tabs go into the front and bottom slots.



2. Install two push-pin rivets into a-pillar panel.



IF EQUIPPED WITH WINDSHIELD

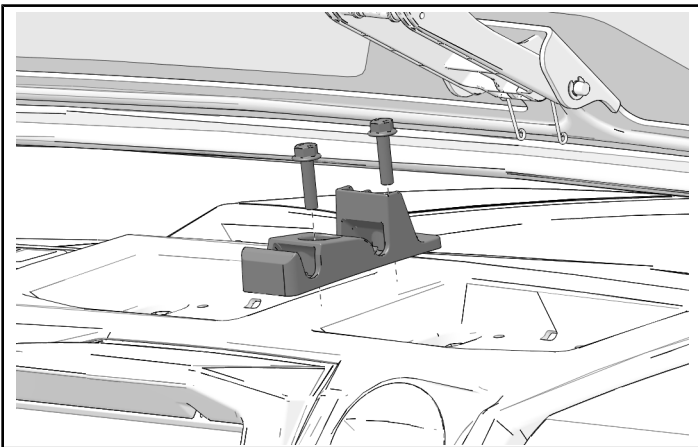
1. Install windshield base with two screws. Torque screws to specification.

NOTICE

For fixed windshields, windshield base will be connected to windshield once screws are removed.

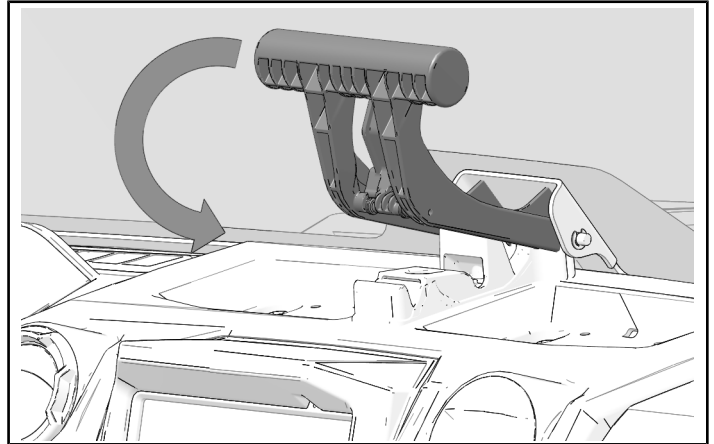
TORQUE

Screws:
30 in-lbs (3.5 N·m)



IF EQUIPPED WITH TIP OUT WINDSHIELD

1. Close windshield by pulling lever down.

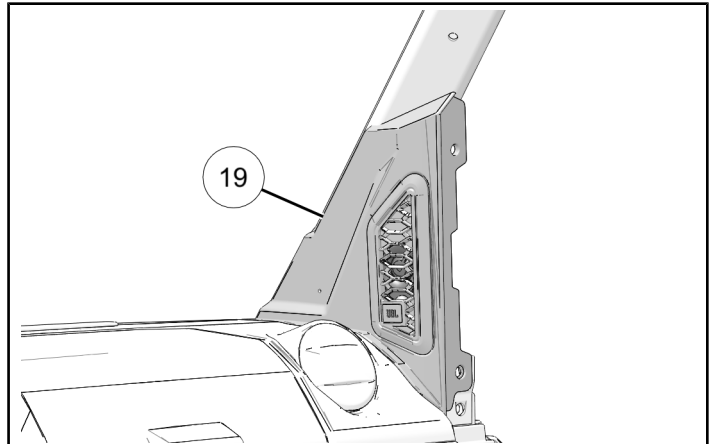


A-PILLAR INSTALLATION

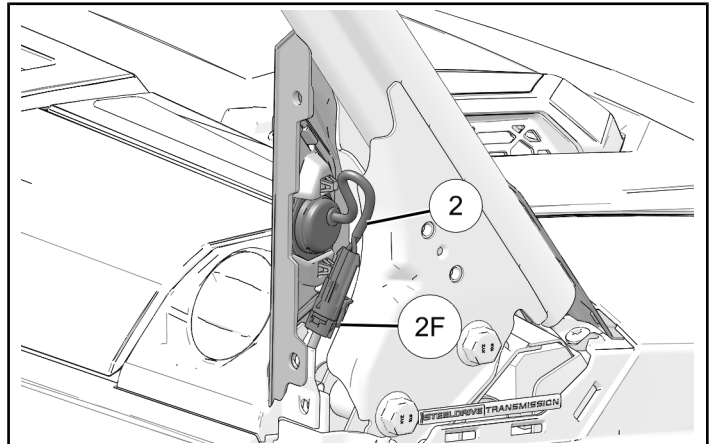
NOTICE

Right side shown; left side similar.

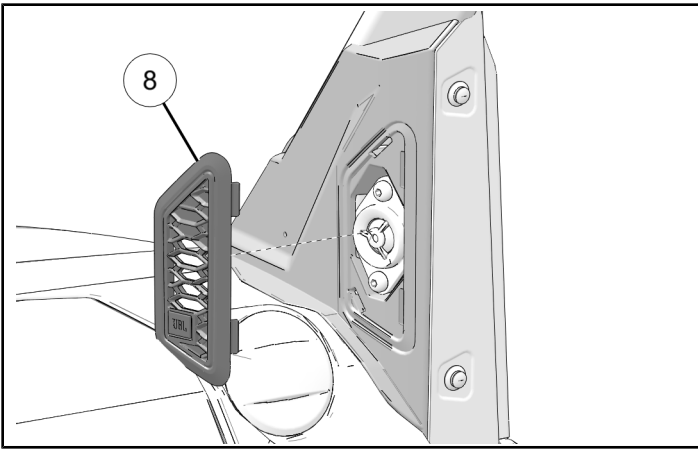
1. Install a-pillar inner cover ⑱ onto vehicle.



2. Connector tweeter ② connector to main audio harness connector 2F.

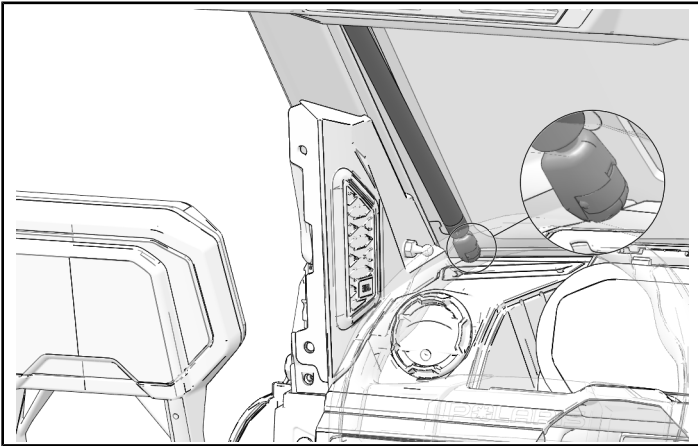


3. Install tweeter grill ⑧ onto a-pillar cover.

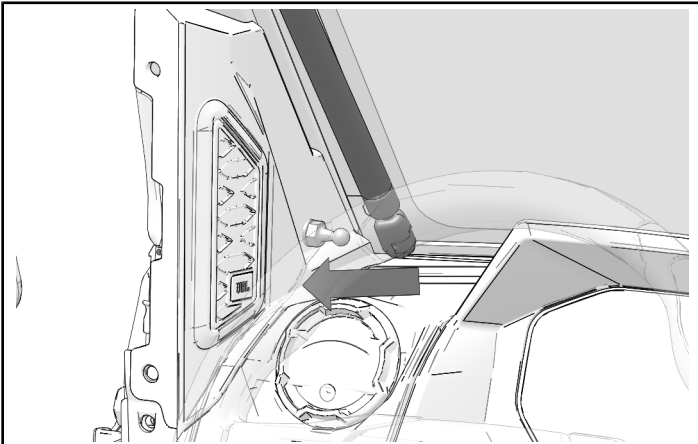


IF EQUIPPED WITH TIP OUT WINDSHIELD

1. Move clip onto windshield shock end until it is seated inside.

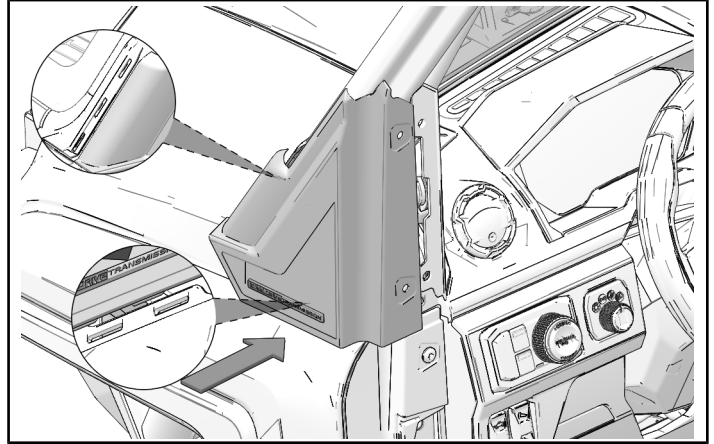


2. Install shock end onto ball end.

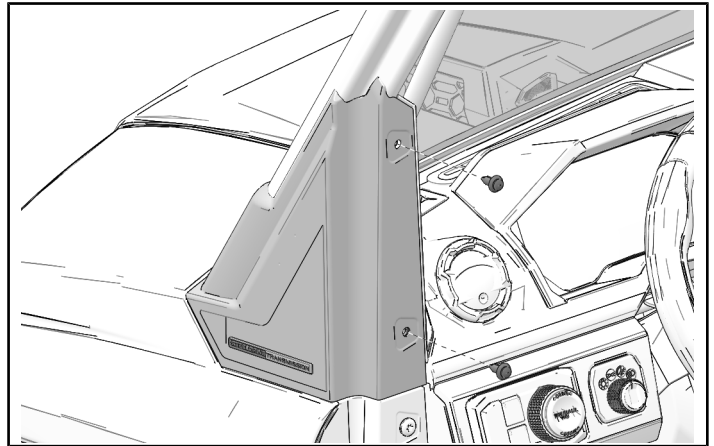


A-PILLAR OUTER PANEL INSTALLATION

1. Put a-pillar panel onto pillar. Make sure the tabs go into the front and bottom slots.



2. Install two push-pin rivets into a-pillar panel.



IF EQUIPPED WITH WINDSHIELD

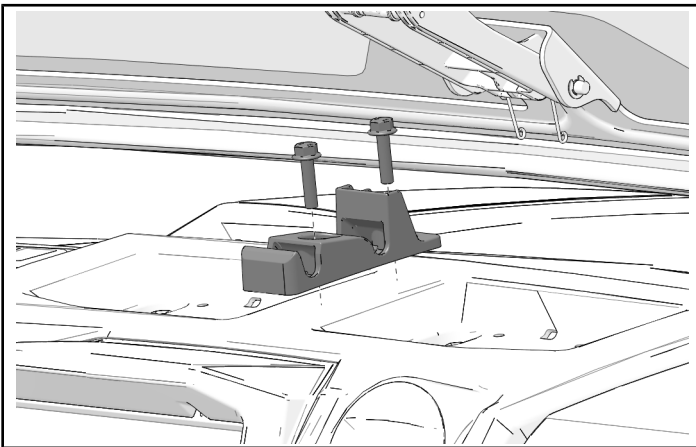
1. Install windshield base with two screws. Torque screws to specification.

NOTICE

For fixed windshields, windshield base will be connected to windshield once screws are removed.

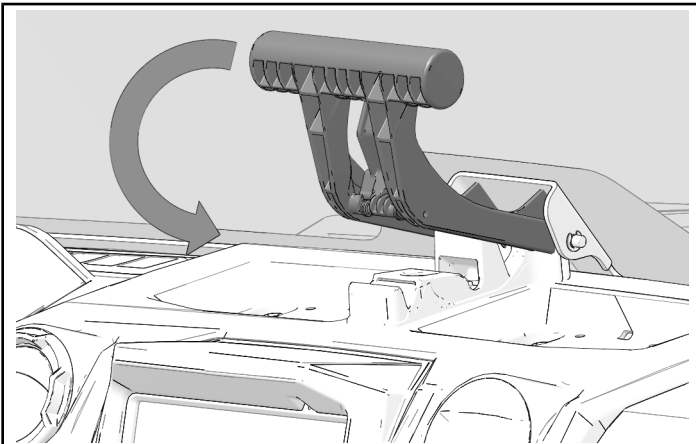
TORQUE

Screws:
30 in-lbs (3.5 N·m)



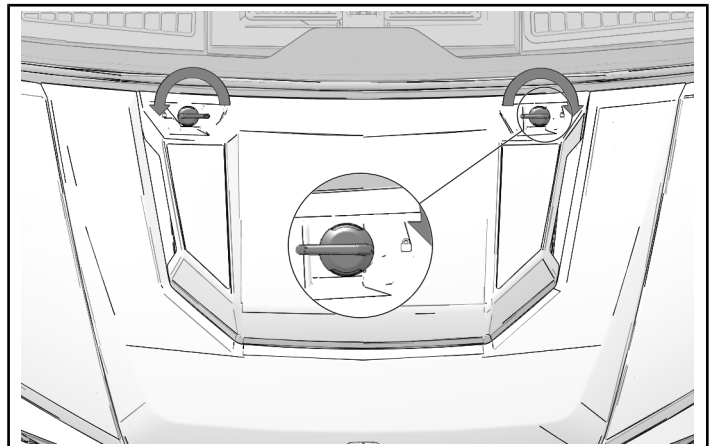
IF EQUIPPED WITH TIP OUT WINDSHIELD

1. Close windshield by pulling lever down.



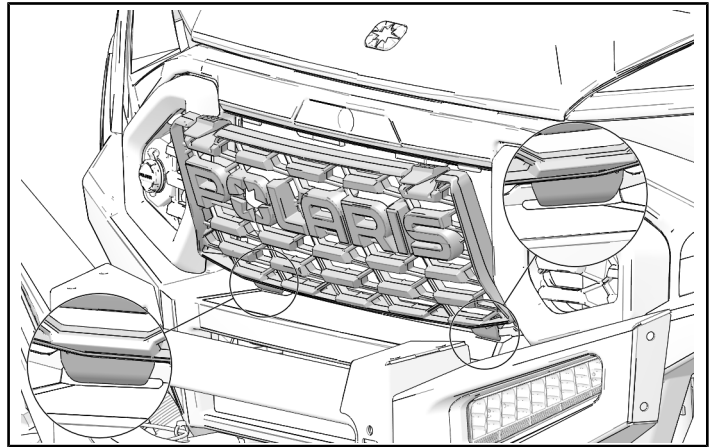
INNER HOOD INSTALLATION

1. Install inner hood onto front of vehicle. Turn knob outwards until it points towards the lock symbol.



FRONT GRILLE INSTALLATION

1. Install two bottom tabs into vehicle.



2. Install top two tabs into vehicle until it is seated.

