

RIDE COMMAND FRONT CAMERA KIT



P/N 2889662

BEFORE YOU BEGIN

Read these instructions and check to be sure all parts and tools are accounted for. Please retain these installation instructions for future reference and parts ordering information.

APPLICATION

Verify accessory fitment at www.polaris.com.

REQUIRED SOLD SEPARATELY

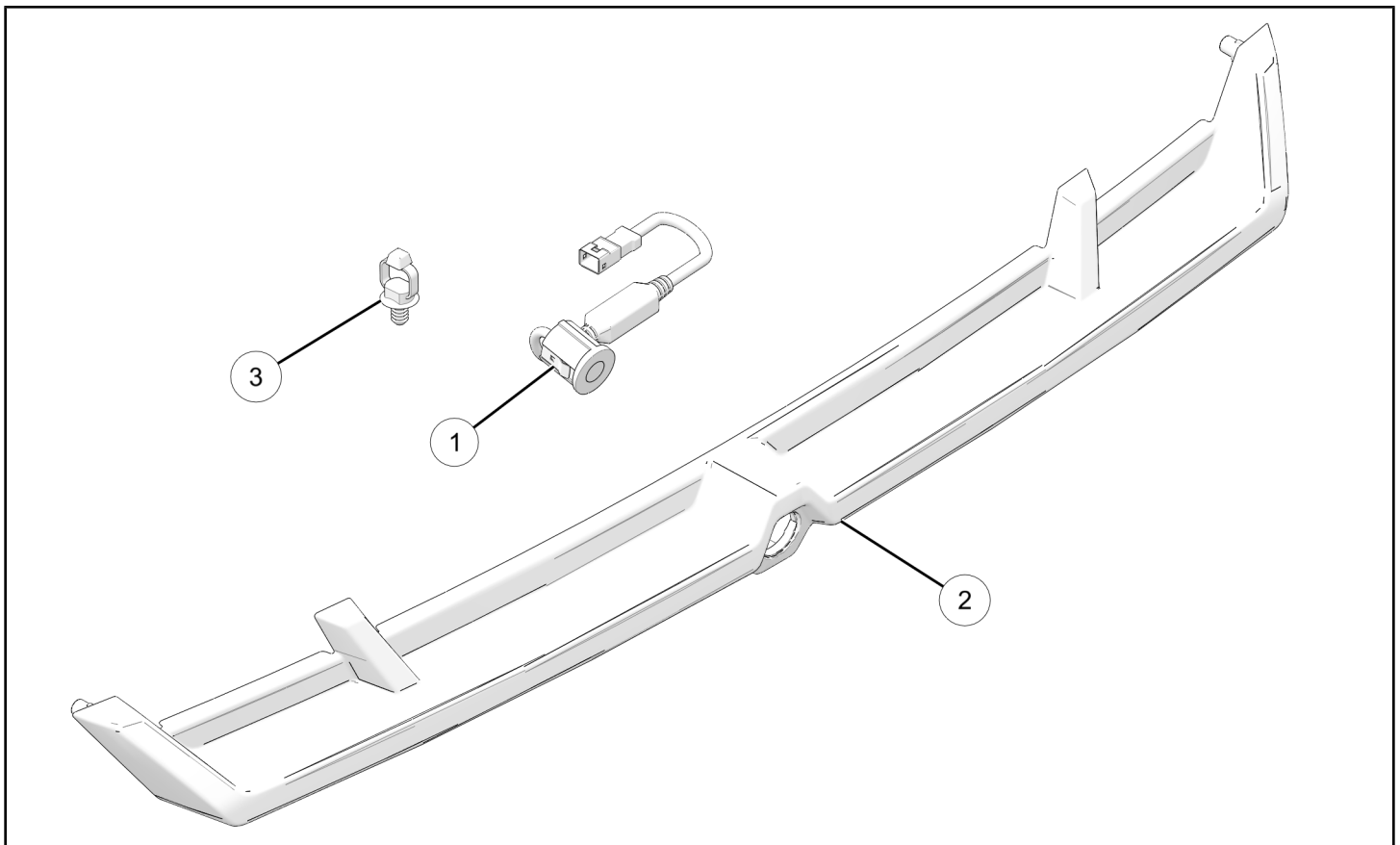
Only parts for installation of the Ride Command Front Camera Kit are included. If front accessory bumper or hood rack is installed, the following additional kit is required (sold separately):

- *Accessory Bumper Camera Tube*, P/N 2889659

Ride Command kit is required when installing on vehicles not already equipped with Ride Command.

- *Ride Command Display*, P/N 2884072
- *Ride Command Install Mount*, P/N 2889310

KIT CONTENTS



REF	QTY	PART DESCRIPTION	P/N AVAILABLE SEPARATELY
1	1	Camera – Front, Wide Angle	4019855
2	1	Bezel – Light, With Camera	5459021
3	1	Clip – Push Pin	7081496

TOOLS REQUIRED

- Safety Glasses
- Screwdriver Set, Torx®
- Socket Set, Hex Bit, Metric

IMPORTANT

Your Ride Command Front Camera Kit is exclusively designed for your vehicle. Please read the installation instructions thoroughly before beginning. Installation is easier if the vehicle is clean and free of debris. For your safety, and to ensure a satisfactory installation, perform all installation steps correctly in the sequence shown.

INSTALLATION INSTRUCTIONS

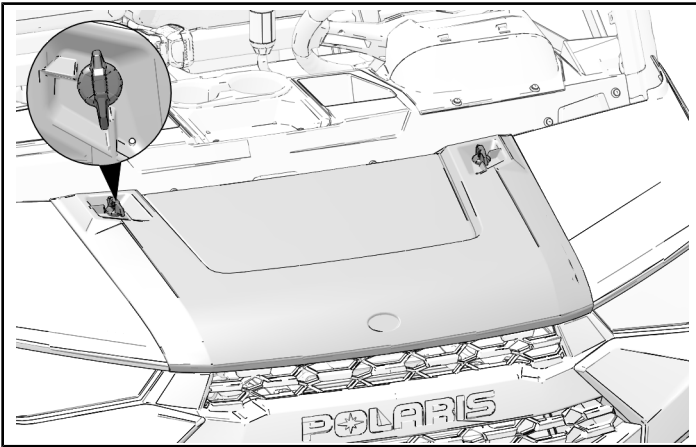
VEHICLE PREPARATION

GENERAL

1. Park vehicle on a flat surface.
2. Shift vehicle into PARK.
3. Turn key to OFF position and remove key.

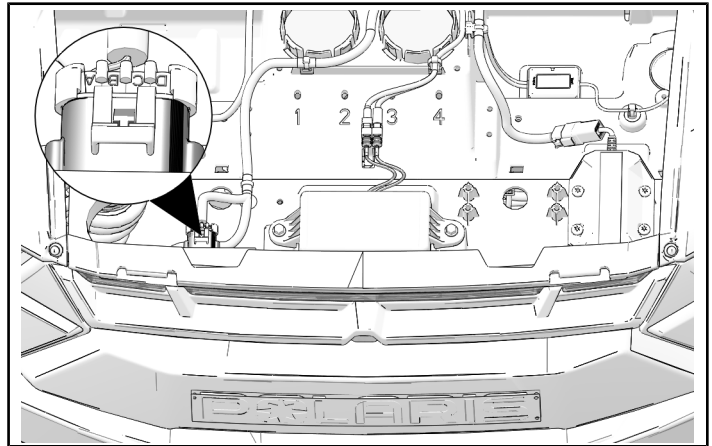
HOOD REMOVAL

1. Turn two quarter-turn fasteners to unlock position to remove hood from vehicle.

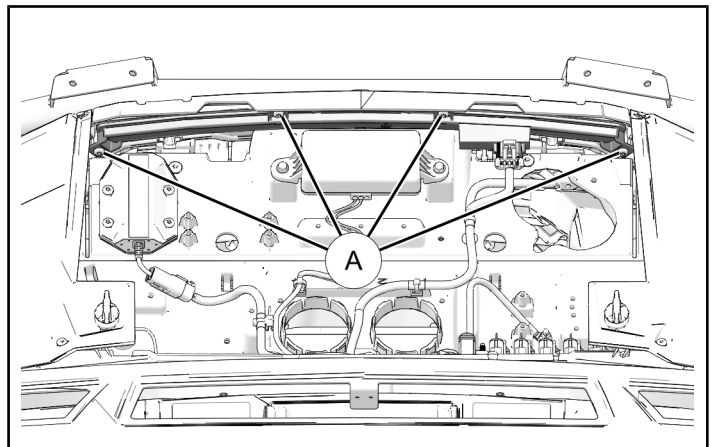


REMOVE ACCENT LIGHT

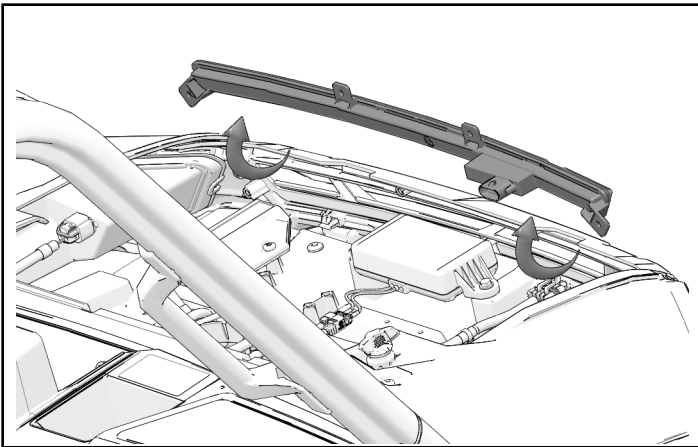
1. Disconnect wiring connector from accent light.



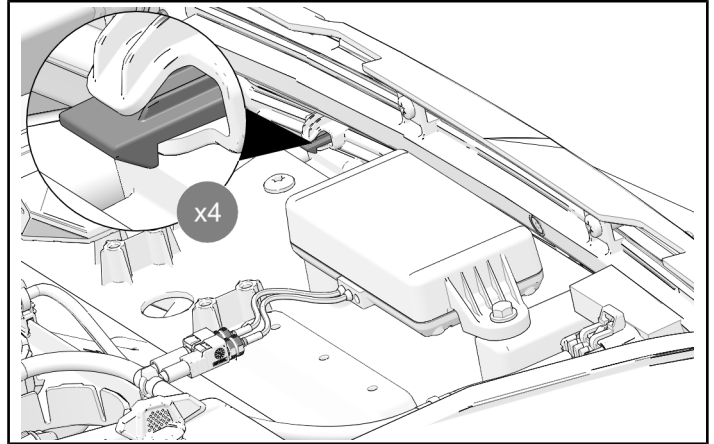
2. Remove four screws (A) from accent light.



3. Lift accent light up and away from vehicle.

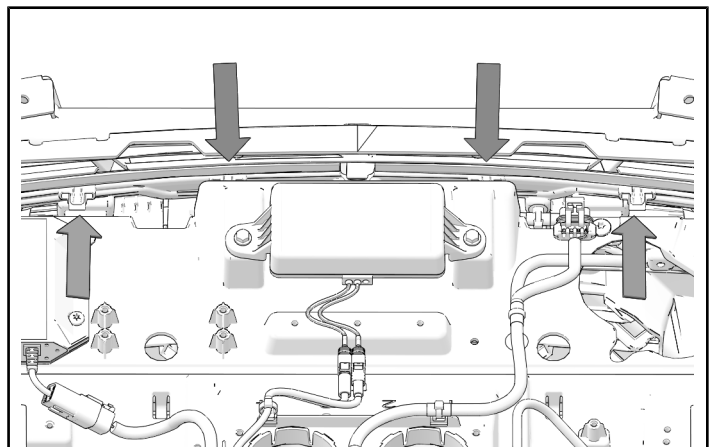
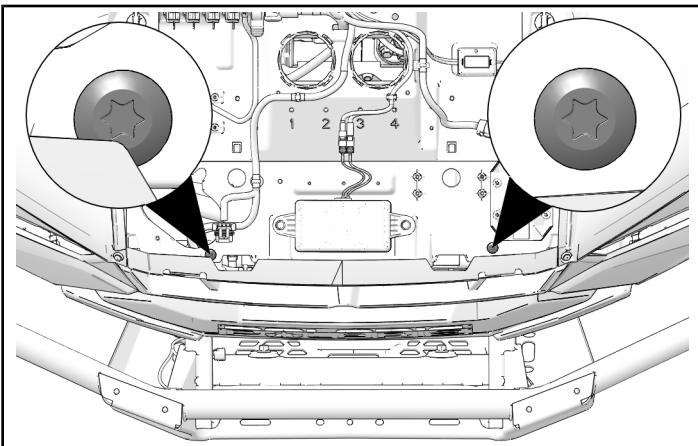


3. Lift up Polaris Pulse® board to access bezel clips. Push on four clips while gently pulling out on bezel.

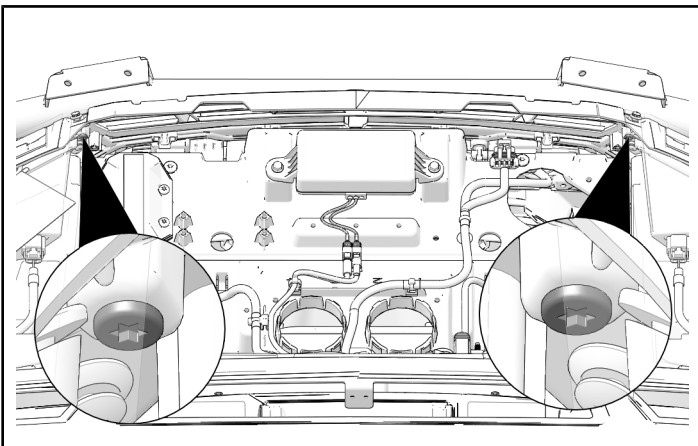


ACCESSORY INSTALLATION

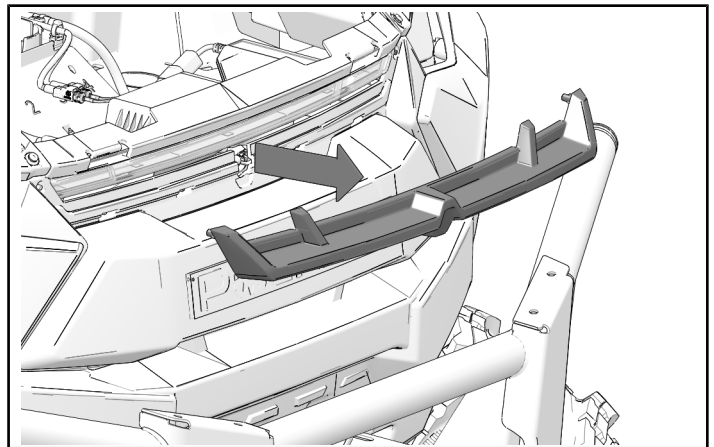
1. Remove and keep two screws at front of Polaris Pulse® board.



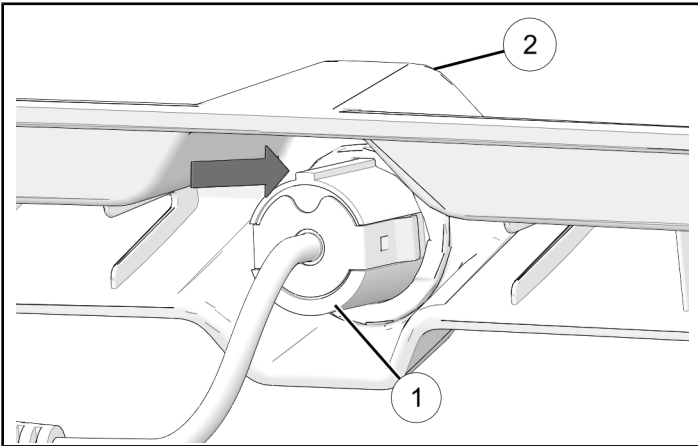
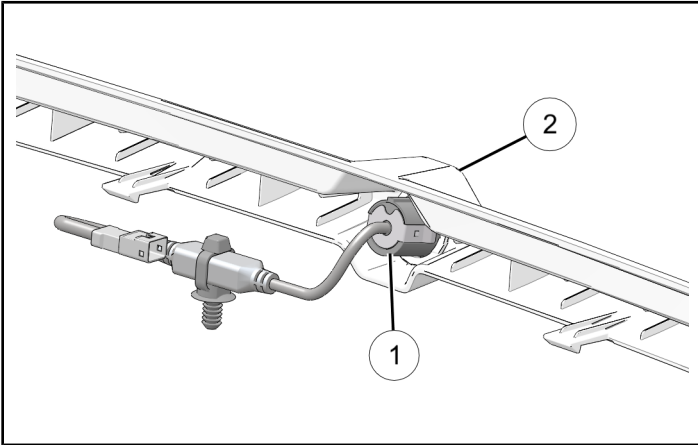
2. Remove and keep two screws at corners of bezel.



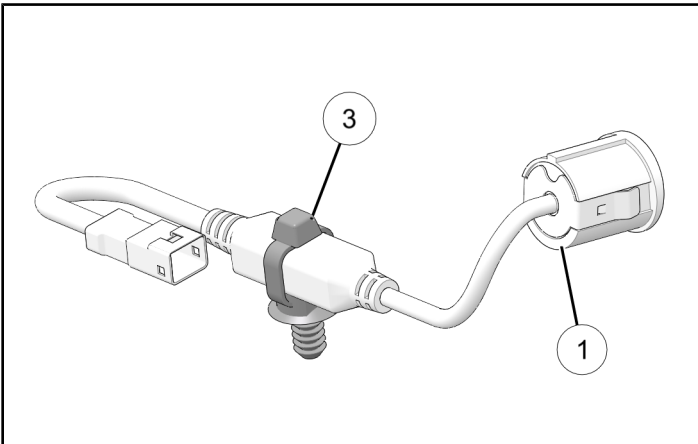
4. Remove and discard stock bezel.



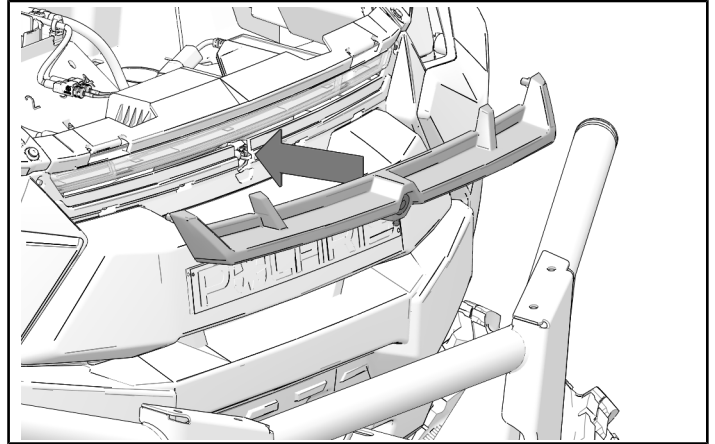
5. Guide camera wiring through opening in front of camera bezel and install camera ① into camera bezel ②. Make sure step on camera is fitted into the slot molded into the camera bezel. Make sure spring clips on sides of camera clip into place.



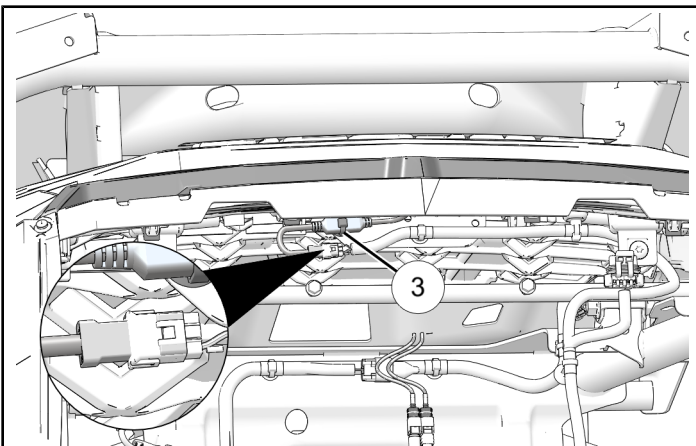
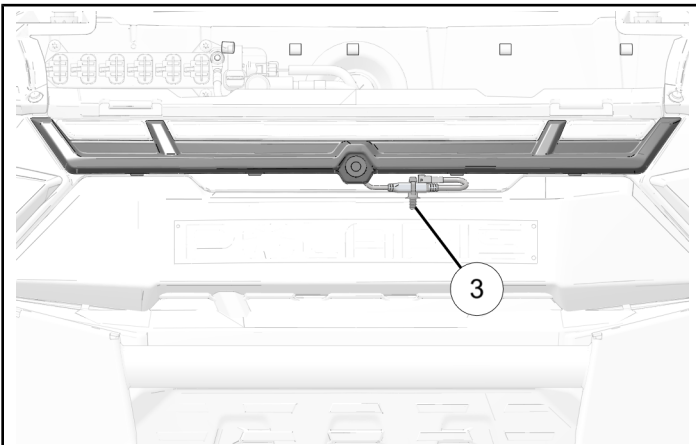
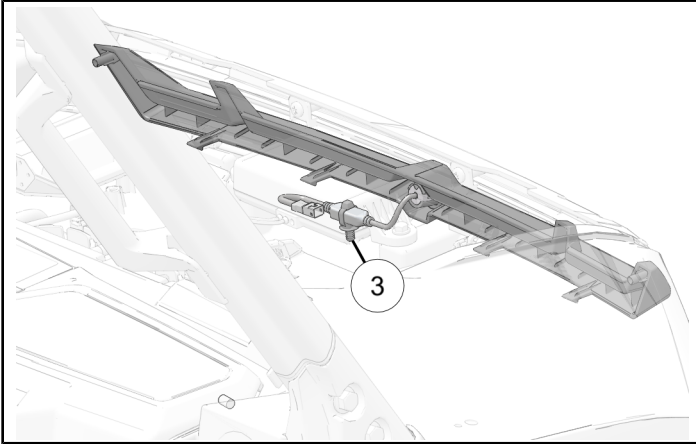
6. Install push pin clip ③ onto camera wiring ①.



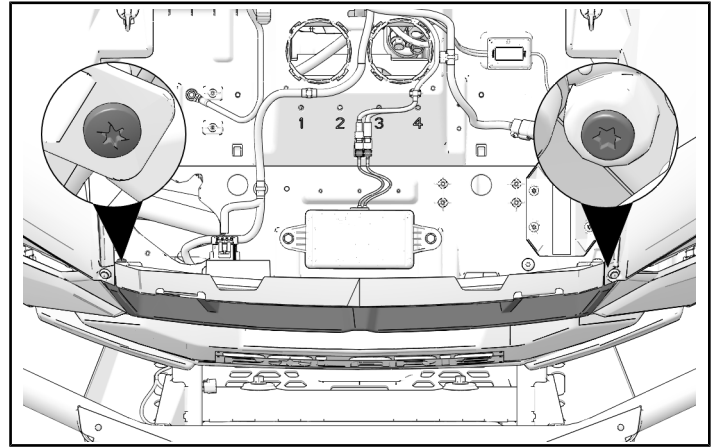
7. Install bezel assembly on vehicle. Guide camera wiring through opening to back side of grill. Make sure camera wiring does not get pinched.



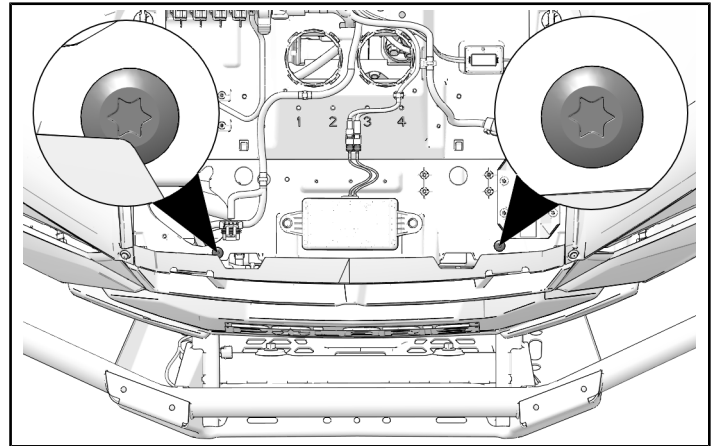
8. Clip bezel into place using four clips. Connect camera wiring to vehicle chassis harness. Make sure push pin clip ③ is secured.



9. Install two screws at corners of bezel. Torque until fully seated.



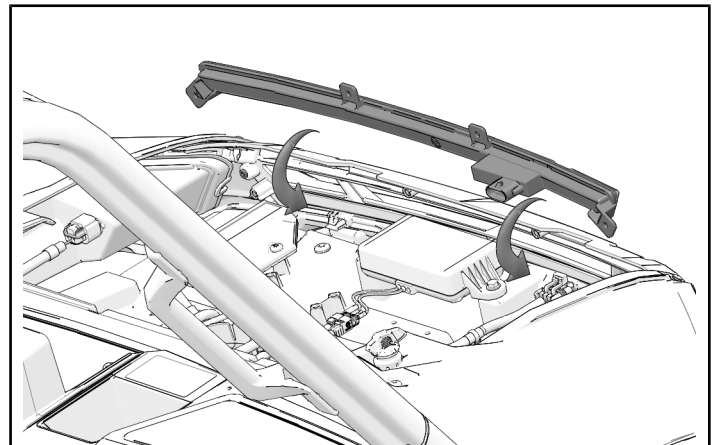
10. Install two screws at front of Polaris Pulse® board. Torque until fully seated.



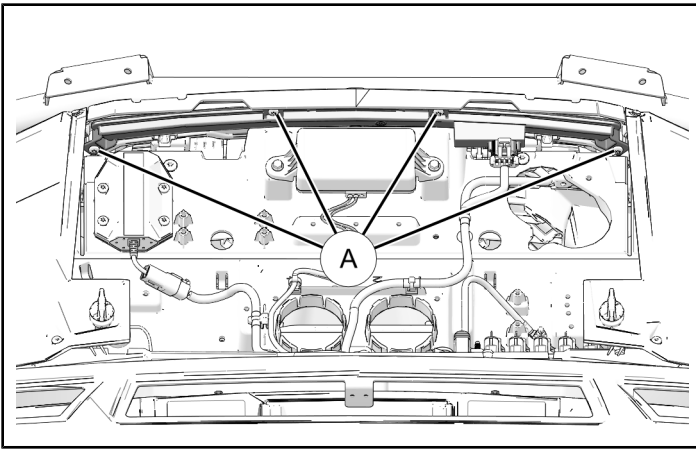
VEHICLE REASSEMBLY

INSTALL ACCENT LIGHT

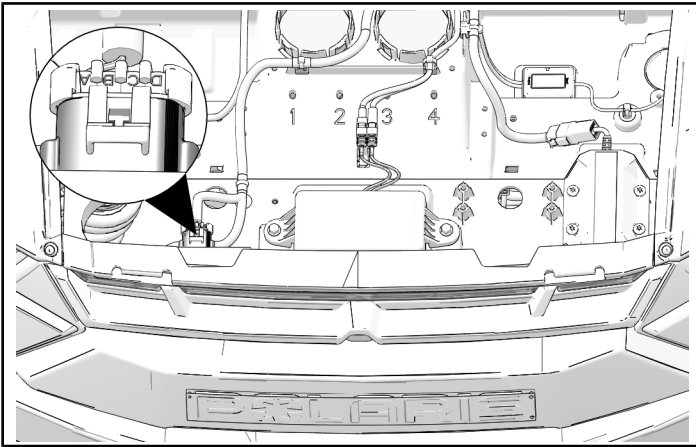
1. Put accent light in position on back of grill.



2. Install four screws (A). Torque until fully seated.

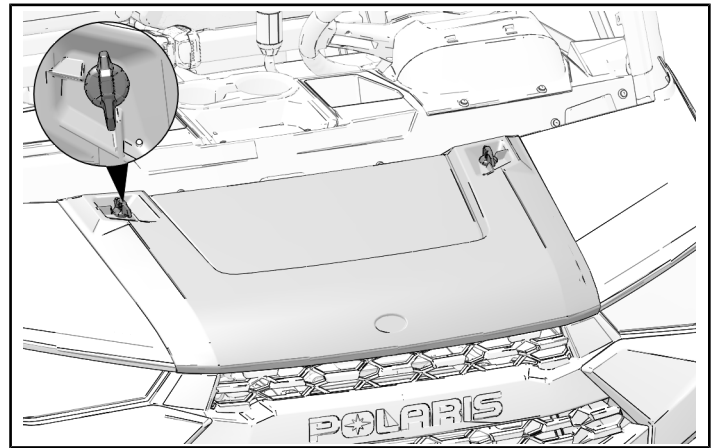


3. Connect wiring plug to accent light.



HOOD INSTALLATION

1. Align hood with vehicle and turn two quarter-turn fasteners to lock position and install hood.



INSTRUCTION FEEDBACK FORM

A feedback form has been created for the installer to provide any comments, questions or concerns about the installation instructions. The form is viewable on mobile devices by scanning the QR code or by clicking [HERE](#) if viewing on a PC.

