

STAGE 4 AUDIO UPGRADE KIT



P/N 2889306

BEFORE YOU BEGIN

Read these instructions and check to be sure all parts and tools are accounted for. Please retain these installation instructions for future reference and parts ordering information.

APPLICATION

Verify accessory fitment at www.polaris.com.

IMPORTANT

Stage 4 Audio Upgrade Kit is compatible with 2022+ vehicles with factory installed RIDE COMMAND or 2020+ vehicles that have the MY22 RIDE COMMAND accessory kit installed, see *REQUIRED SOLD SEPARATELY*. The Stage 4 Audio Upgrade Kit is not compatible with pre-2022 RIDE COMMAND or PMX.

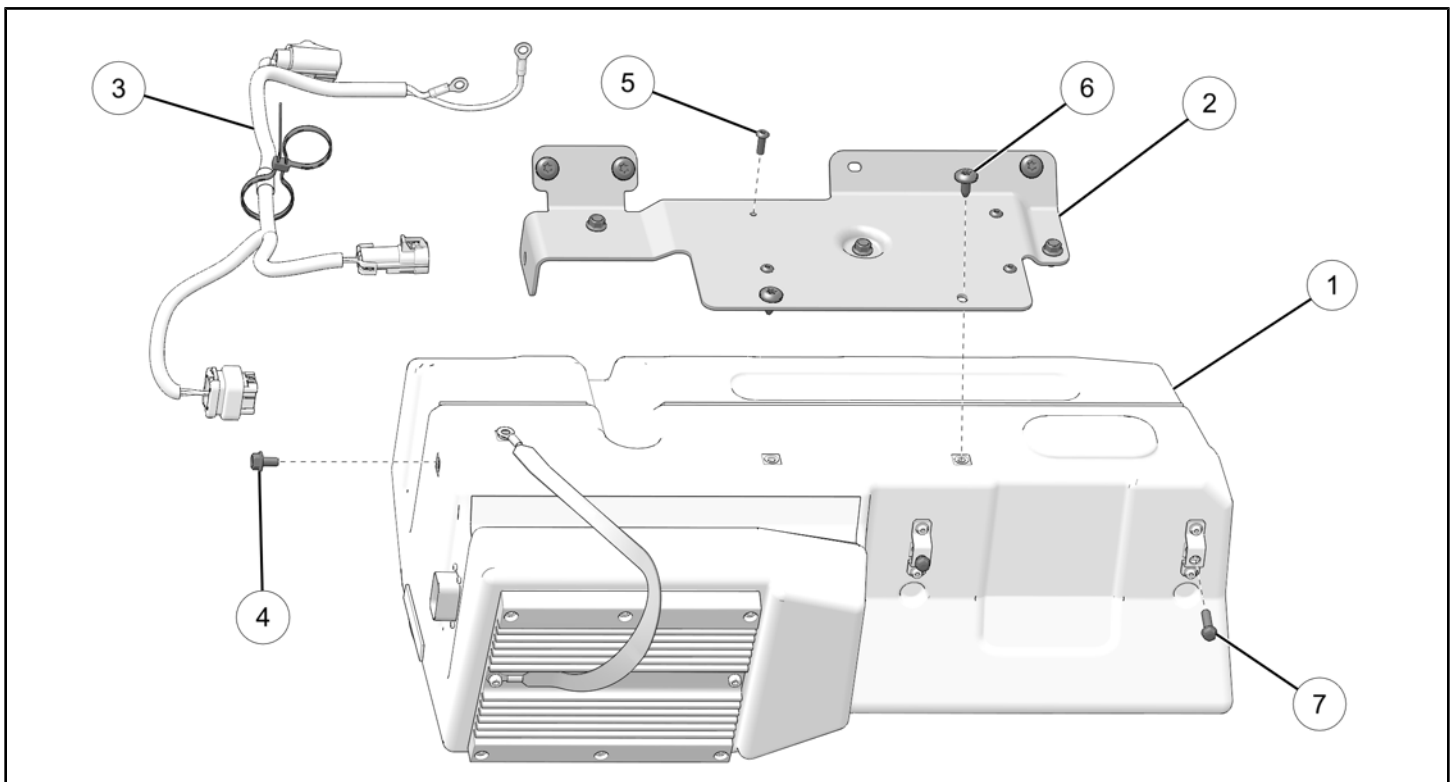
Stage 4 Audio Upgrade Kit is not compatible with Heater Kit P/N 2881316.

REQUIRED SOLD SEPARATELY

Only parts for installation of the Stage 4 Audio Upgrade Kit are included. For complete installation, the following additional kit is required (sold separately):

- *Stage 3 RIDE COMMAND Audio Kit + Rear Speakers*, P/N 2885163
 - Requires 7" Display With RIDE COMMAND, P/N 2884072 & 7" Display Mount Kit, P/N 2889338, Both Sold Separately

KIT CONTENTS



REF	QTY	PART DESCRIPTION	P/N AVAILABLE SEPARATELY
1	1	Subwoofer Assembly	2638473
2	1	Bracket – Subwoofer, Amp	5271917-329
3	1	Harness – Subwoofer, Accessory	2416186
4	4	Screw – Hex Flange, M6 x 1.0 x 12 mm	7517704
5	4	Screw – Torx®, #10 x 5/8 in	7517756
6	6	Screw – Torx®, M6 x 1 x 16 mm	7518936
7	2	Screw – Hex Flange, M6 x 1.0 x 25 mm	7519297

TOOLS REQUIRED

- Safety Glasses
- Pliers, Push Pin Rivet
- Socket Set, Metric
- Socket Set, SAE
- Socket Set, Torx® Bit
- Torque Wrench
- Wrench Set, Metric
- Wrench Set, SAE

IMPORTANT

Your Stage 4 Audio Upgrade Kit is exclusively designed for your vehicle. Please read the installation instructions thoroughly before beginning. Installation is easier if the vehicle is clean and free of debris. For your safety, and to ensure a satisfactory installation, perform all installation steps correctly in the sequence shown.

INSTALLATION INSTRUCTIONS

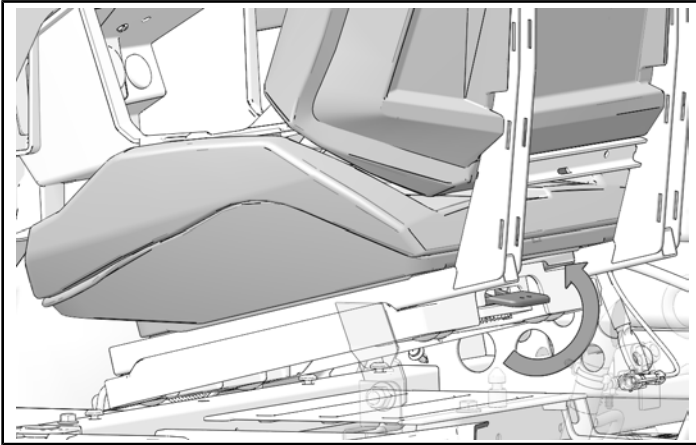
VEHICLE PREPARATION

GENERAL

1. Park vehicle on a flat surface.
2. Shift vehicle into PARK.
3. Turn key to OFF position and remove key.

DRIVER SEAT REMOVAL

1. Lift upward on front driver seat latch lever located on bottom backside of seat.



2. Lift up and forward on seat while lifting up on latch lever.
3. Remove seat from vehicle and set aside.

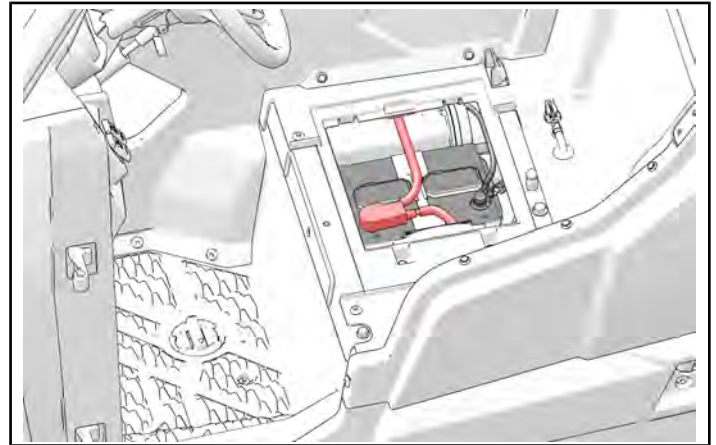
DISCONNECT BATTERY

WARNING

Make sure red positive (+) battery terminal is **COMPLETELY COVERED** by protective boot. Accidental tool contact across both battery terminals will result in high current electrical arc, and may result in battery explosion. Death or serious injury may occur.

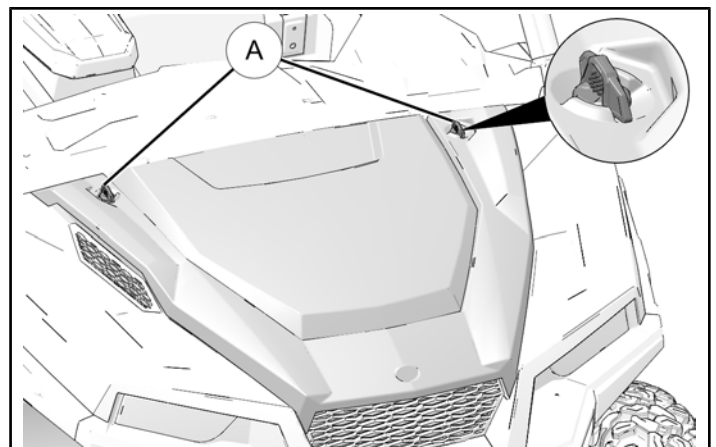
Black negative (-) cable **MUST** be disconnected from battery terminal. Failure to disconnect cable may result in electrical arc when installing connections at terminal block. Death or serious injury, or damage to vehicle or accessory, may occur.

1. Remove driver's seat (**GENERAL® 4 1000**: left rear passenger seat) and battery access cover, then disconnect black negative (-) cable from battery.



HOOD REMOVAL

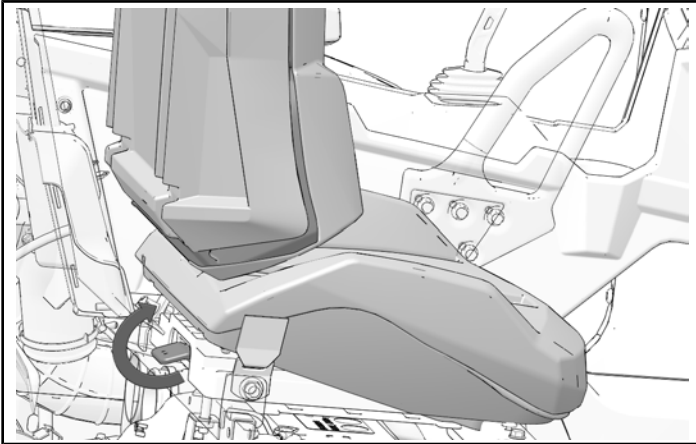
1. Rotate latches **A** 90° to release hood from vehicle.



2. Pull hood forward and up to remove from vehicle.
3. Set hood aside.

PASSENGER SEAT REMOVAL

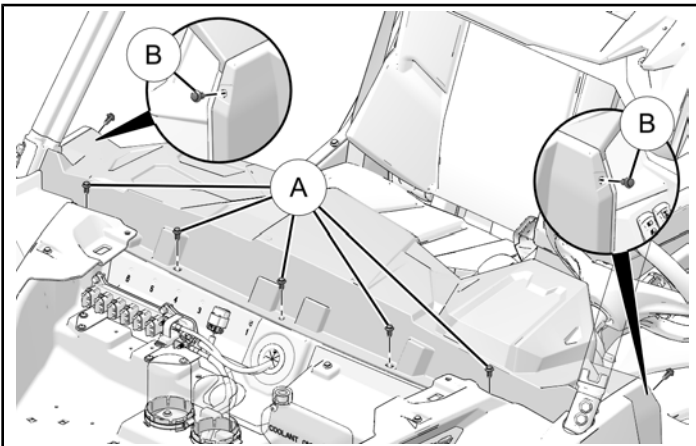
1. Lift upward on front passenger seat latch lever located on bottom backside of seat.



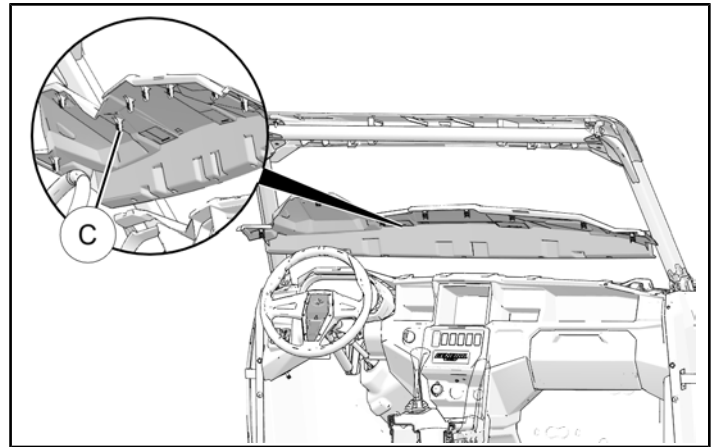
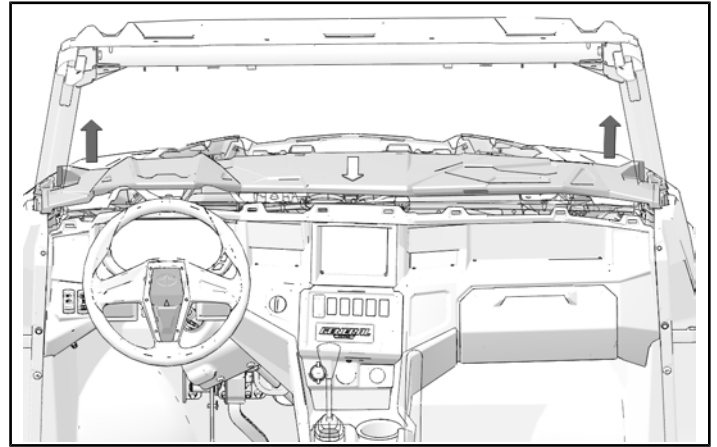
2. Lift up and forward on seat while lifting up on latch lever.
3. Remove seat from vehicle and set aside.

UPPER DASH PANEL REMOVAL

1. If windshield is installed, open or remove it as required to gain access to upper dash.
2. Remove and keep five push pin rivets (A) from front side of upper dash.
3. Remove and keep two push pin rivets (B) from outer ends of upper dash.

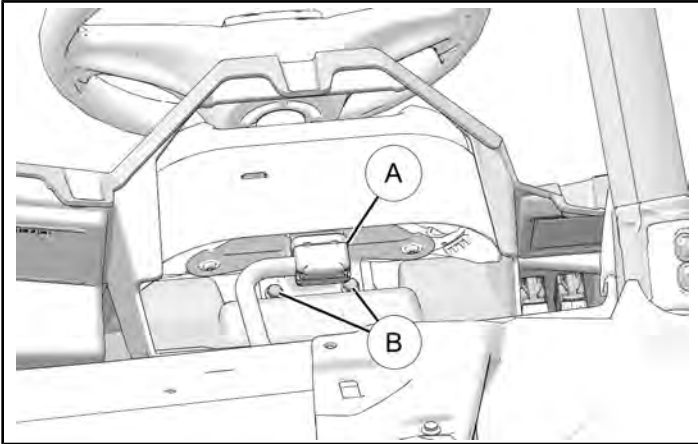


4. Slide panel upward and rearward, detaching eight spring clips (C). Set dash aside.

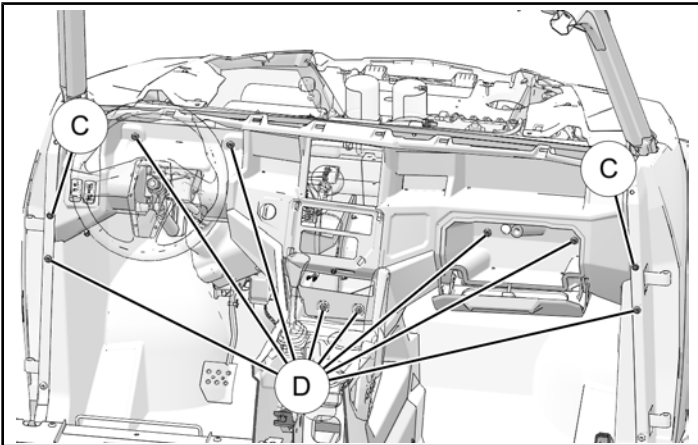


MAIN DASH PANEL REMOVAL

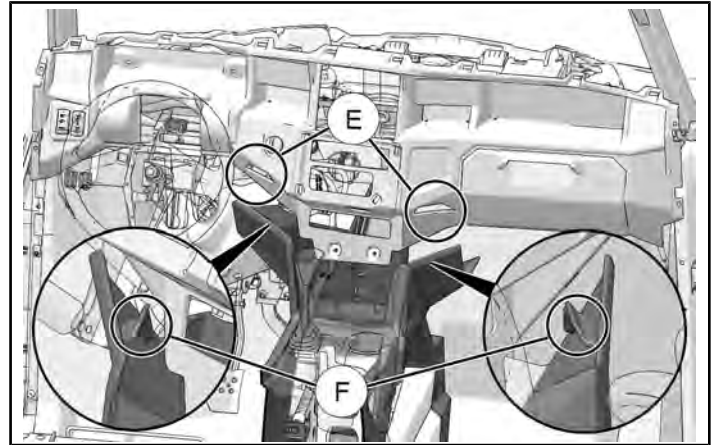
1. Detach main chassis harness connector (A) from instrument cluster.



2. Remove two screws (B), then lift instrument cluster assembly out of dash and set aside.
3. Remove the following fasteners:
 - One push pin rivet (C) and screw (D) from each side of dash.
 - Two screws (D) in glove box
 - Two screws (D) forward of gear shift lever
 - Two screws (D) forward of instrument cluster



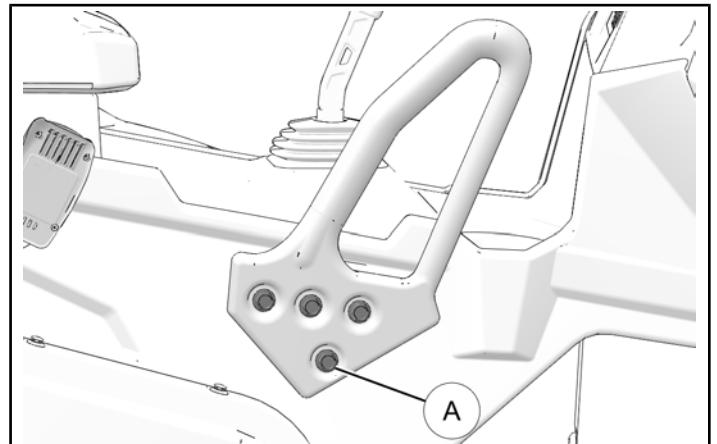
4. Detach slots (E) in main dash panel from tabs (F) in lower floor console panels.



5. Disconnect all under dashboard electrical connections.
6. Lift dash panel away from support structure. Set panel aside.

PASSENGER GRAB HANDLE REMOVAL

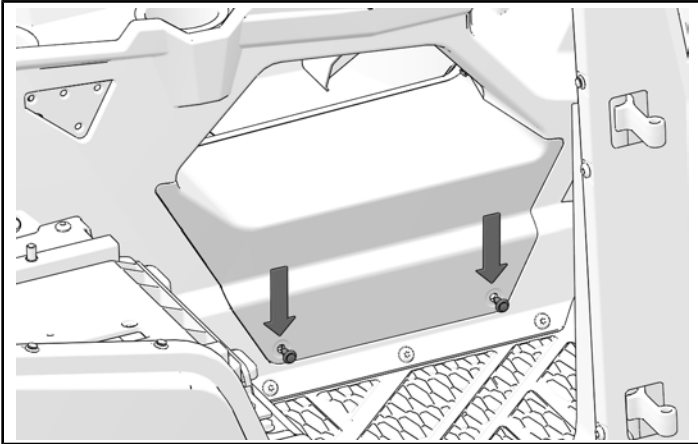
1. Remove and keep four screws (A) holding passenger grab handle to center console.



2. Set passenger grab handle aside.

CENTER TUNNEL ACCESS COVER REMOVAL

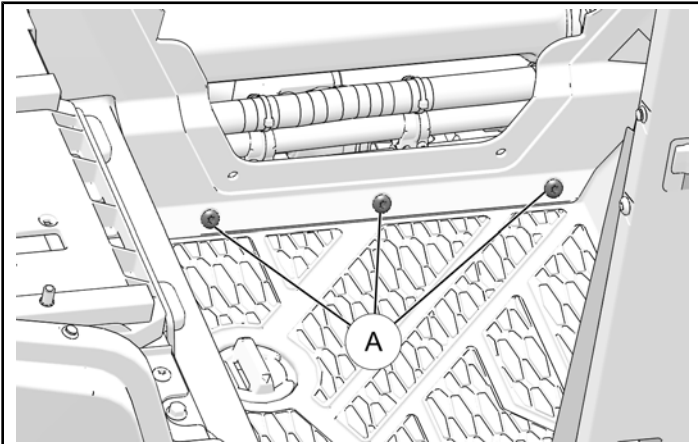
1. Remove and keep two push pin rivets from center tunnel access cover.



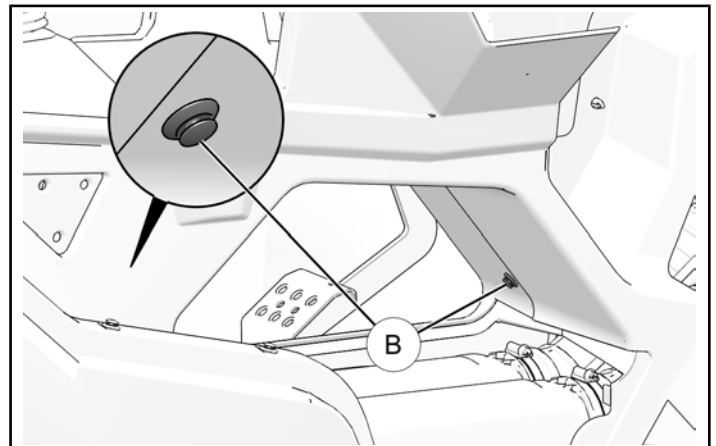
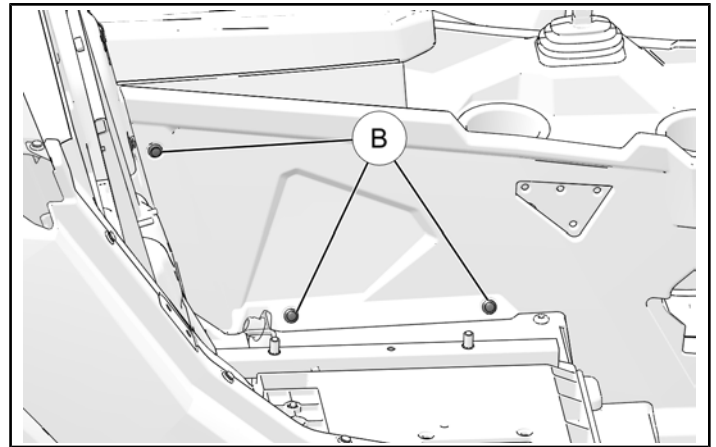
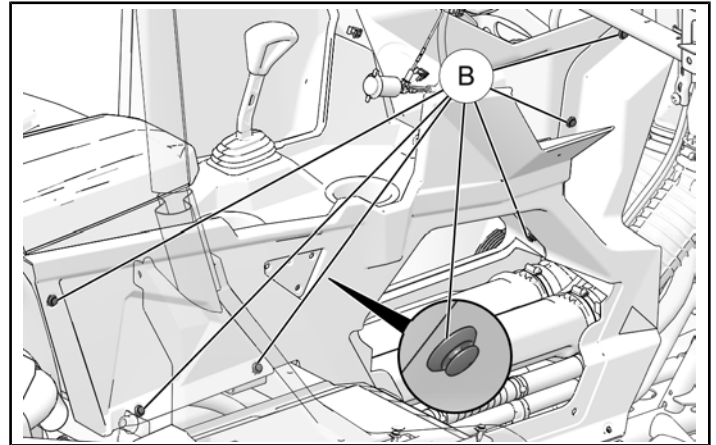
2. Set center access cover aside.

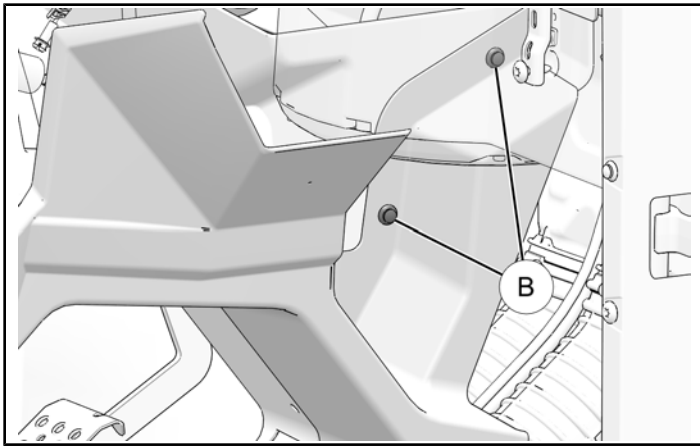
PASSENGER SIDE CENTER CONSOLE REMOVAL

1. Remove and keep three screws (A) from passenger side center console.



2. Remove and keep seven push pin rivets (B) from passenger side center console.

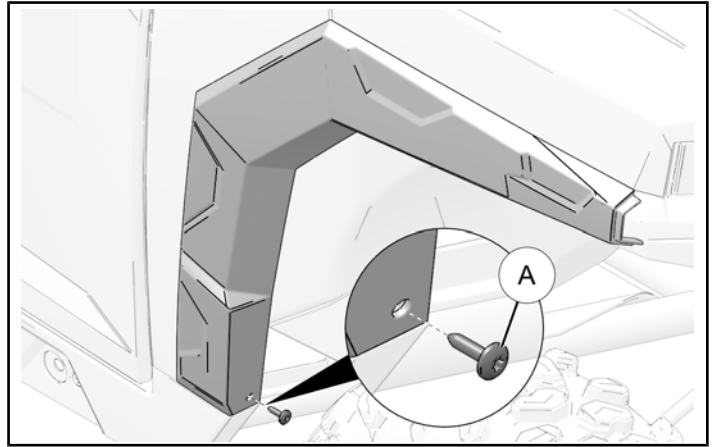




PASSENGER FRONT FENDER FLARE REMOVAL

NON-XP MODELS

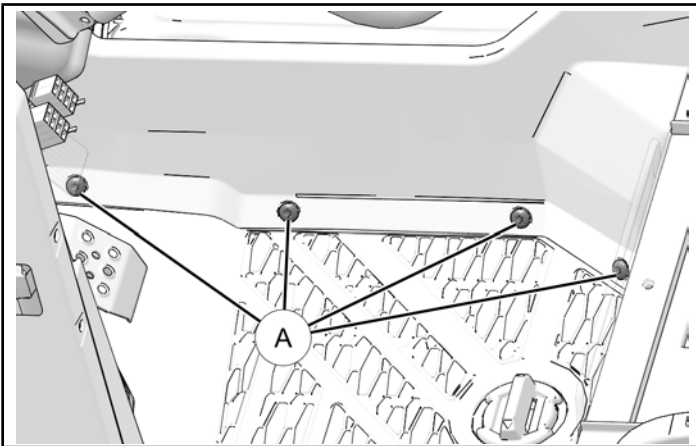
1. Remove and keep fastener (A) securing the bottom of the fender flare.



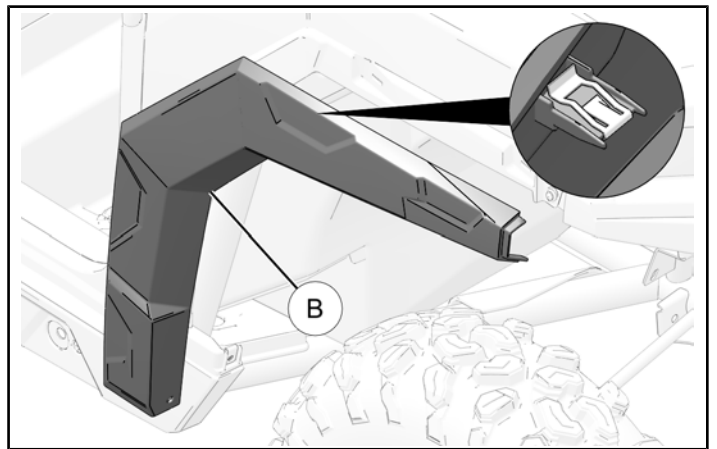
3. Set center console aside.

DRIVER SIDE CENTER CONSOLE REMOVAL

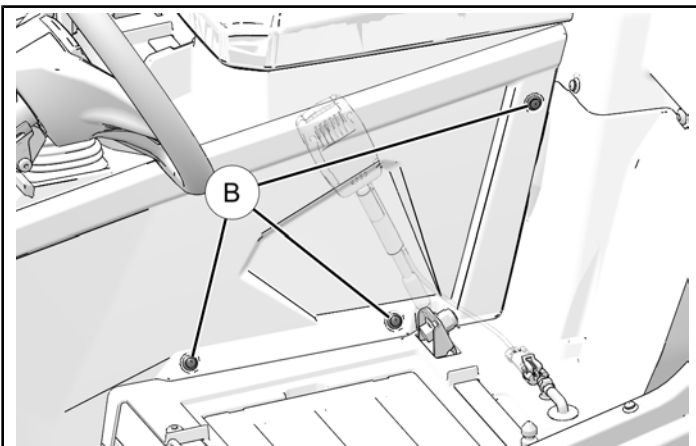
1. Remove and keep four screws (A) from driver side center console.



2. Working from bottom of fender upward, carefully separate fender flare (B) from fender panel by detaching five clips. Set aside.

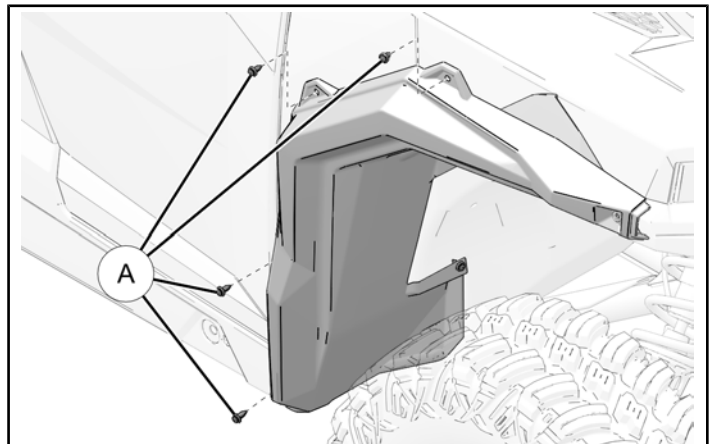


2. Remove and keep three push pin rivets (B) from driver side center console.



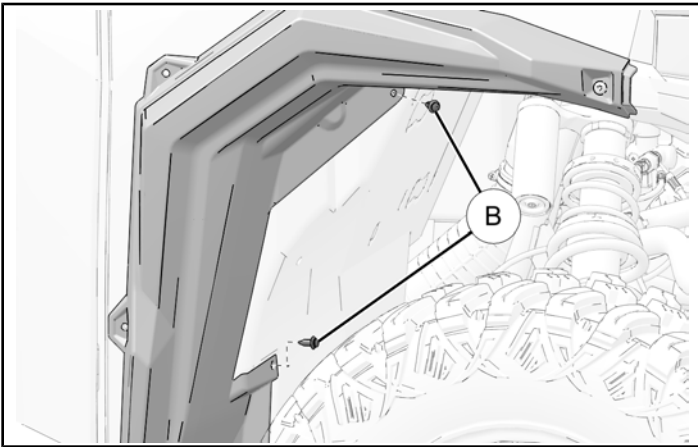
XP MODELS

1. Remove and keep four push pin rivets (A) securing outside of fender flare.

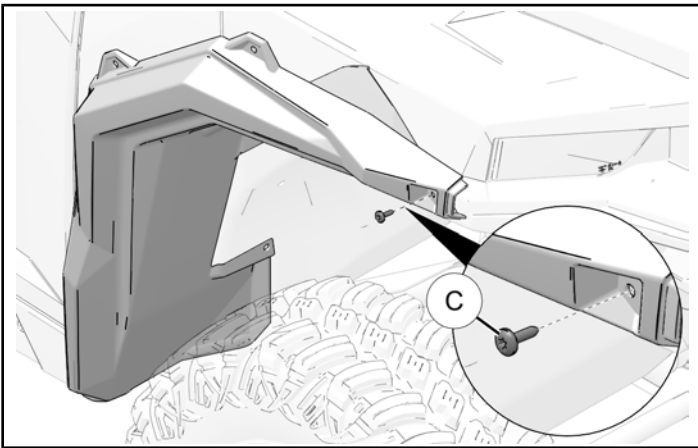


3. Set center console aside.

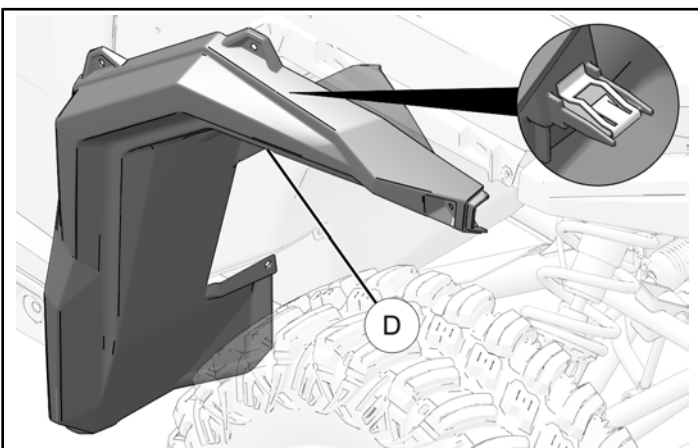
- Remove and keep two push pin rivets (B) securing inside of fender flare.



- Remove and keep fastener (C) securing the front of the fender flare.



- Carefully separate fender flare (D) from fender panel by pivoting the tabbed front outward and detaching five clips. Set aside.

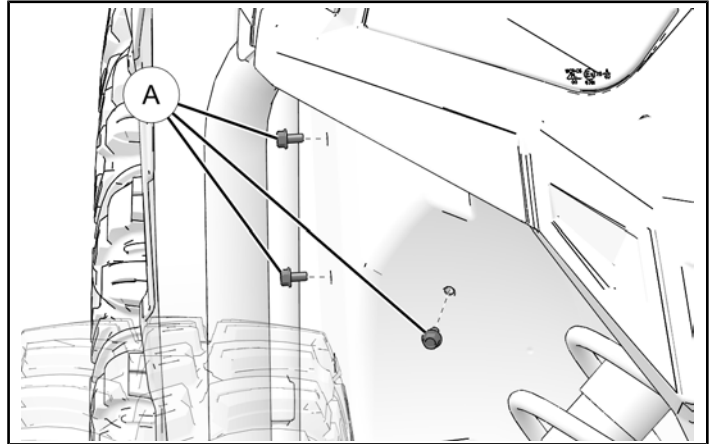


PASSENGER FRONT SPEAKER REMOVAL

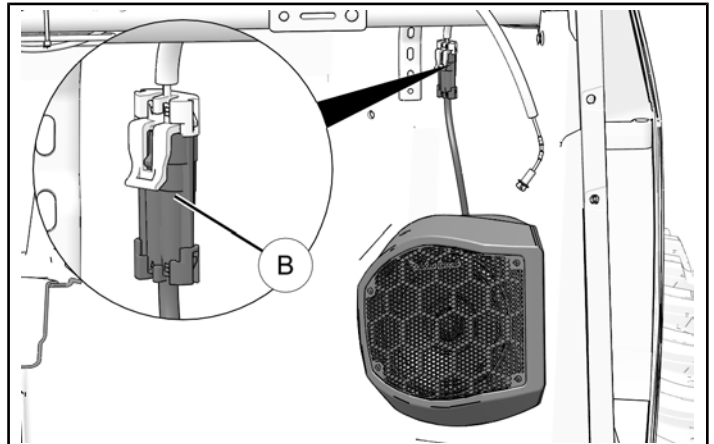
- From the front wheel well, remove and keep three passenger speaker screws securing the speaker housing to the passenger floor panel.

IMPORTANT

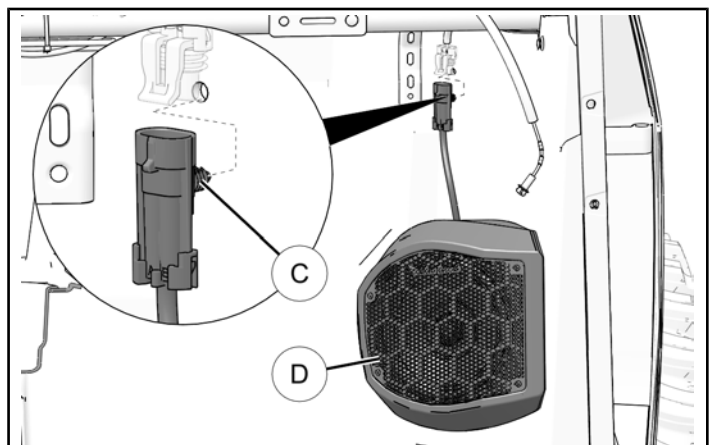
Support speaker as it will fall once screws are removed.



- Disconnect the speaker harness connector (B) from the main audio harness.



- Remove the fir tree clip (C) from hole in the passenger floor panel and remove speaker assembly (D).

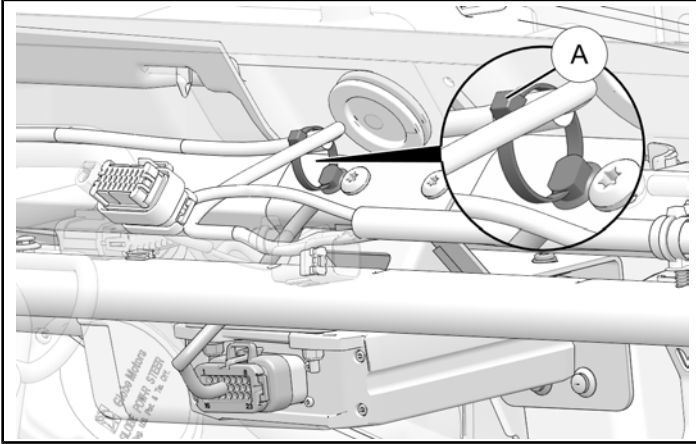


AMP RELOCATION REMOVAL

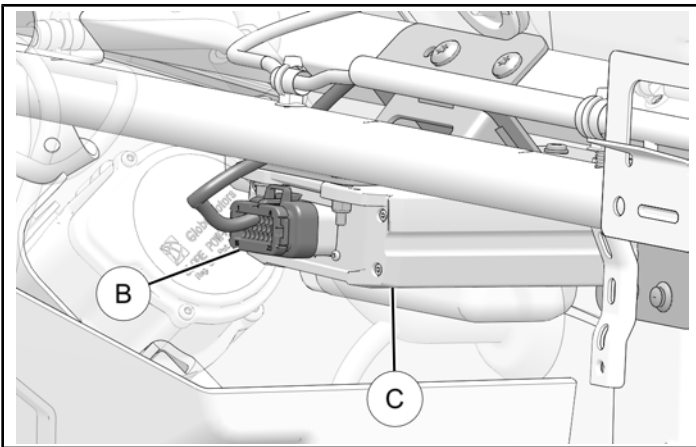
IMPORTANT

The steps outlined below only need to be performed if the vehicle is equipped with an amp that has been relocated.

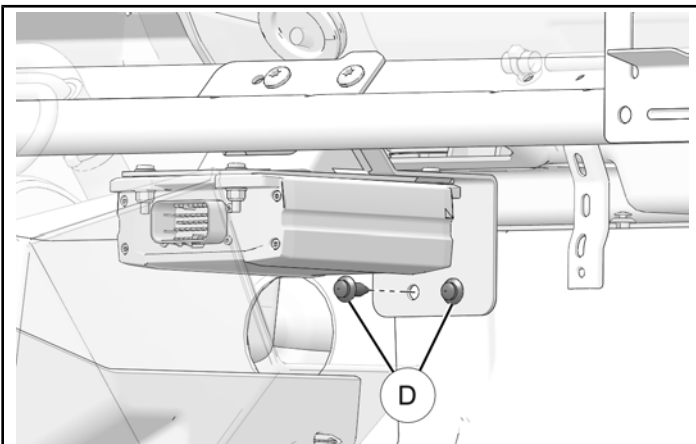
1. Cut the routing clip **(A)** securing the audio harness to upper frame bar.



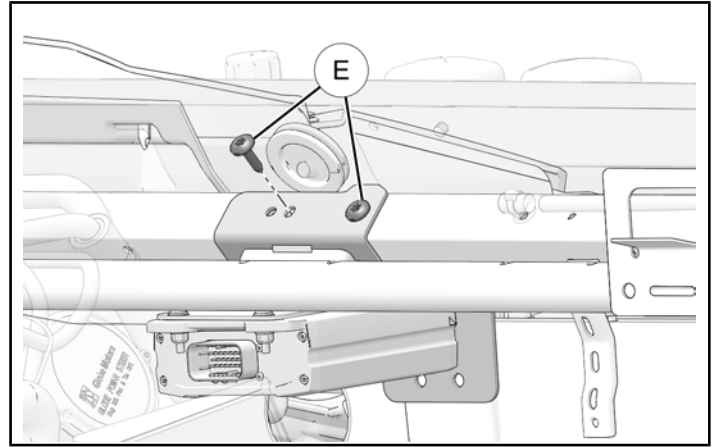
2. Disconnect audio harness **(B)** from amp **(C)**.



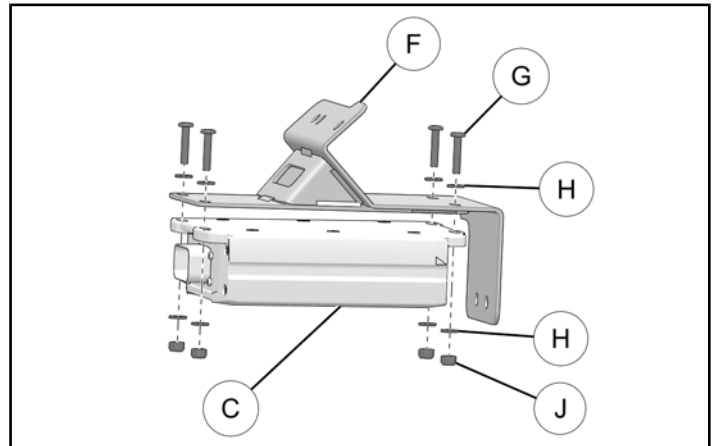
3. Remove two push pin rivets **(D)** that attach amp assembly to fire-wall.



4. Remove two screws **(E)** that attach amp assembly to upper frame bar.



5. Remove the amp **(C)** from the bracket **(F)** by removing four screws **(G)**, eight washers **(H)**, and four nuts **(J)**.



ACCESSORY INSTALLATION

SUBWOOFER INSTALLATION

IMPORTANT

If vehicle has *AMP Relocation Kit*, P/N 2885112 installed, the kit must be removed.

If vehicle has first generation non powered subwoofer installed, the subwoofer must be removed.

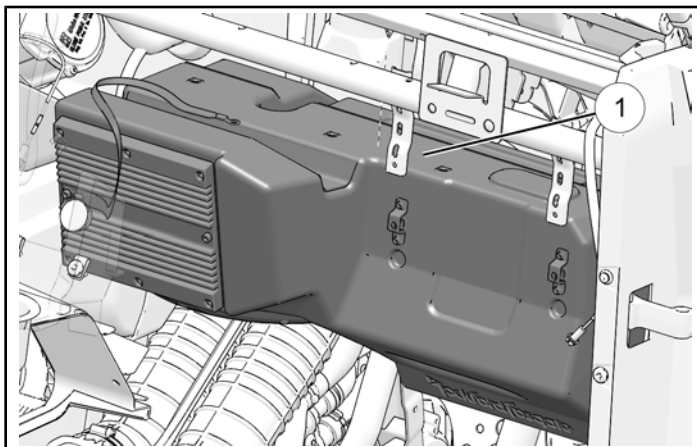
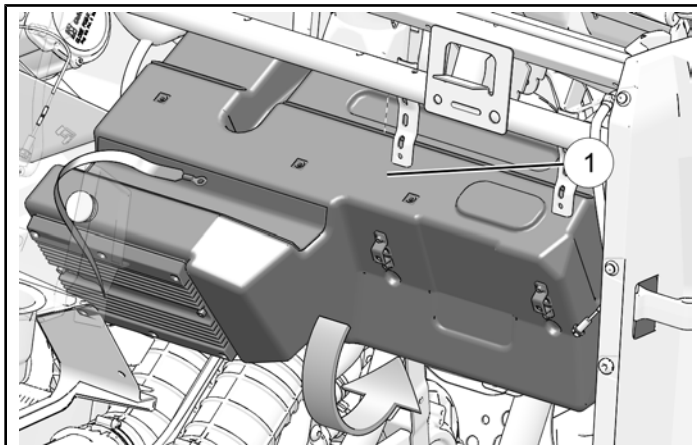
1. Install subwoofer ① into open dash space and be careful not to dent the speaker grill.

TIP

Roll subwoofer into the open dash space and move up at an angle to lift into place.

IMPORTANT

Keep subwoofer electrical harness out of the way to avoid any pinch points.

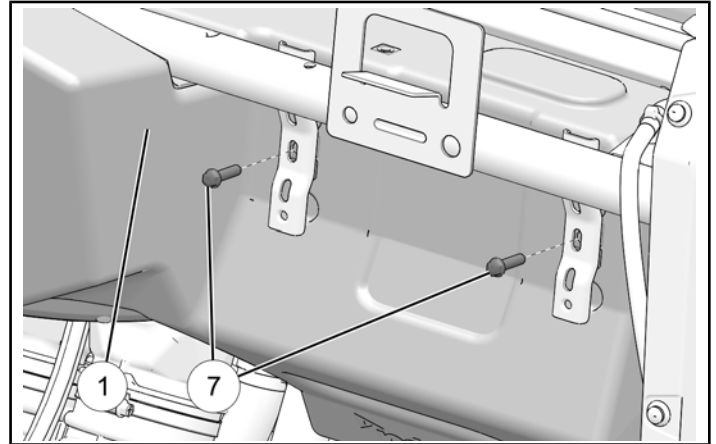


2. Loosely install subwoofer ① to upper dash frame with two fasteners ⑦.

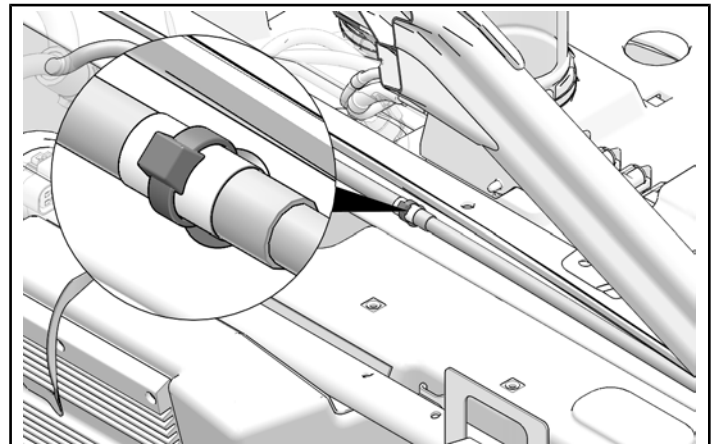
Do not torque fasteners at this time.

IMPORTANT

Keep subwoofer electrical harness away from channel to prevent damaging harness.



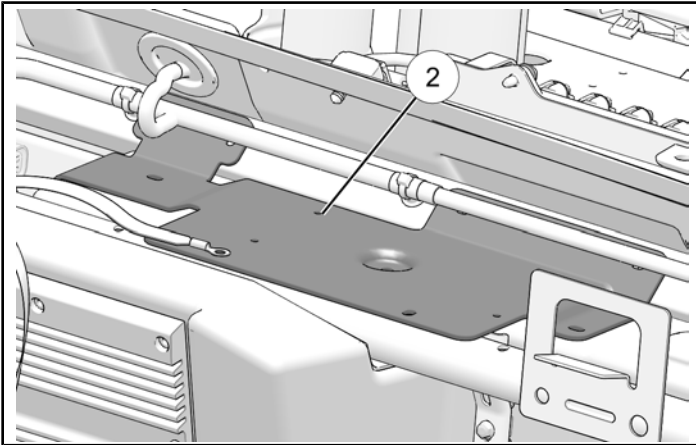
3. Remove the push pin cable tie securing the electrical harness to the chassis tube.



4. Install the subwoofer bracket ② on top of the upper dash frame and align mounting holes.

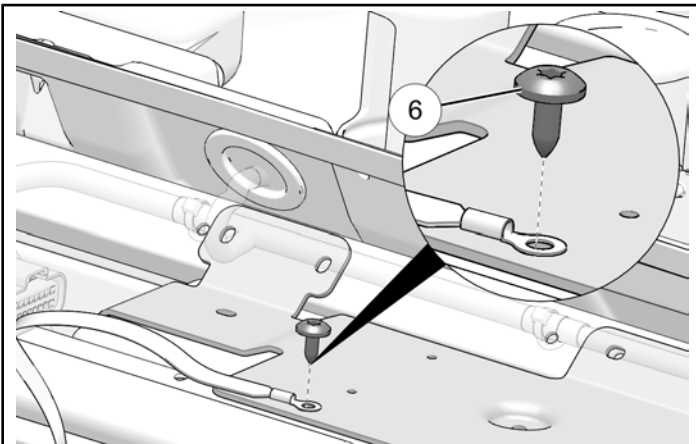
NOTICE

The angled portion of the bracket must face toward the front of the vehicle.



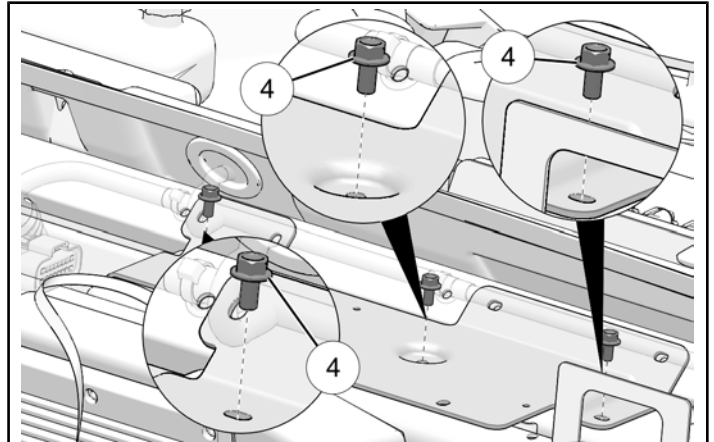
5. Loosely install ground strap to bracket and upper chassis bar with fastener ⑥.

Do not torque fastener at this time.



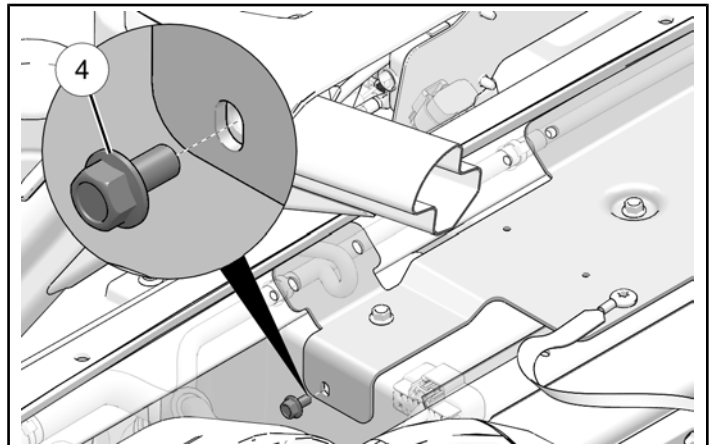
6. Loosely install three fasteners ④ through bracket and into the top of the subwoofer.

Do not torque fasteners at this time.



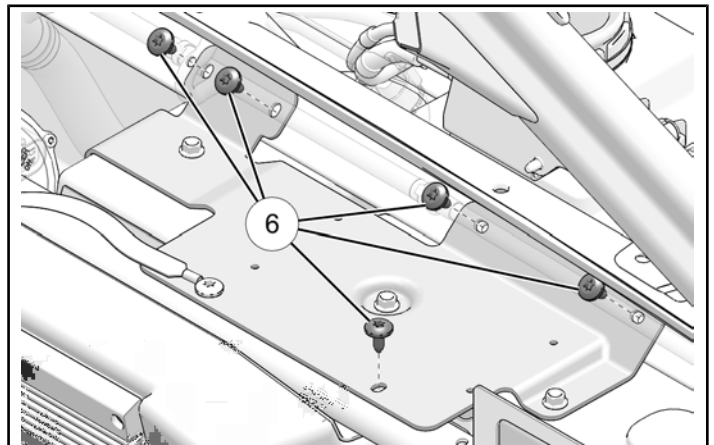
7. Loosely install one fastener ④ on the driver facing side of the subwoofer.

Do not torque fastener at this time.



8. Loosely install five fasteners ⑥ through bracket and upper chassis bar.

Do not torque fastener at this time.

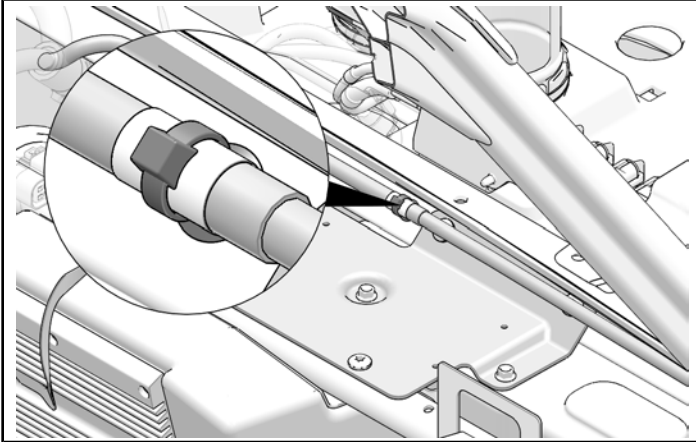


9. Torque all fasteners to specification.

TORQUE

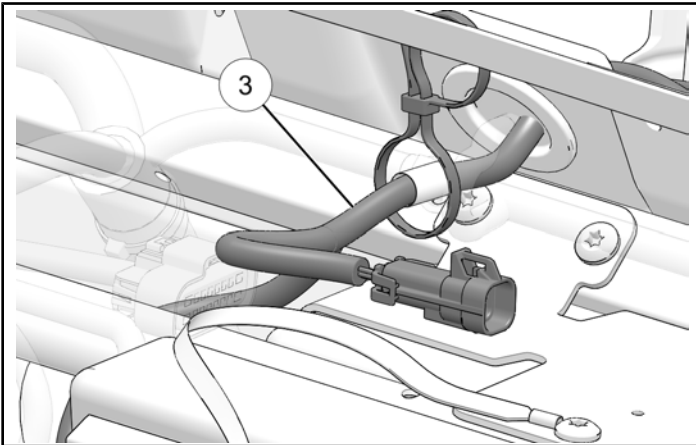
Subwoofer Bracket Screws ④, ⑥, & ⑦:
30 in-lbs (4 N·m)

10. Install electrical harness to chassis tube with existing push pin cable tie.

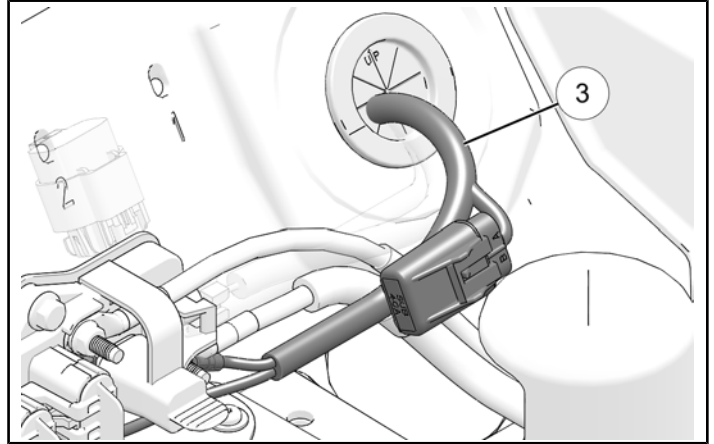


ELECTRICAL HARNESS INSTALLATION

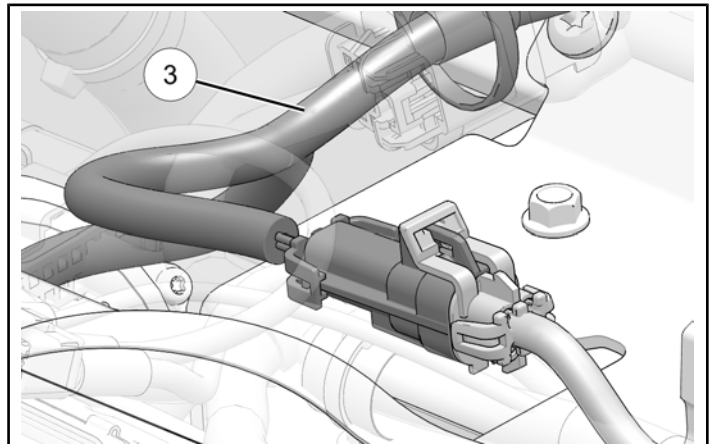
1. Install electrical harness ③ across the top of upper dash frame.



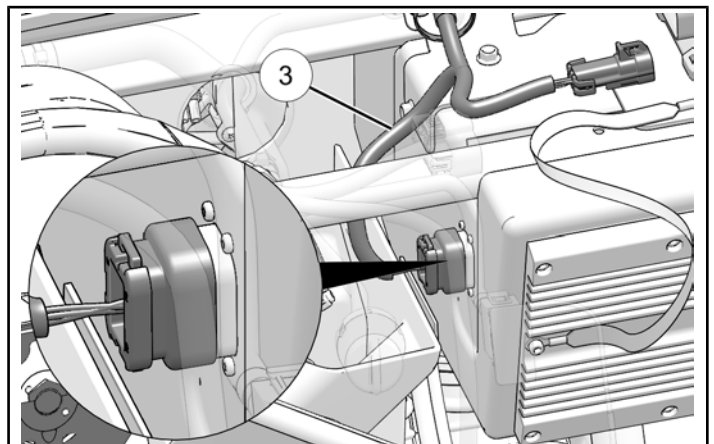
2. Install electrical harness ③ from back to front through the grommet in upper front floor panel to pulse bar.



3. Remove and discard end cap from stock harness and connect subwoofer electrical harness ③.



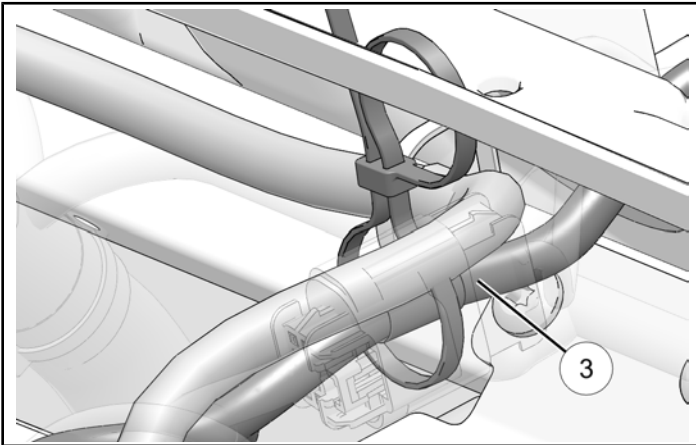
4. Install the subwoofer electrical harness ③ into subwoofer ①.



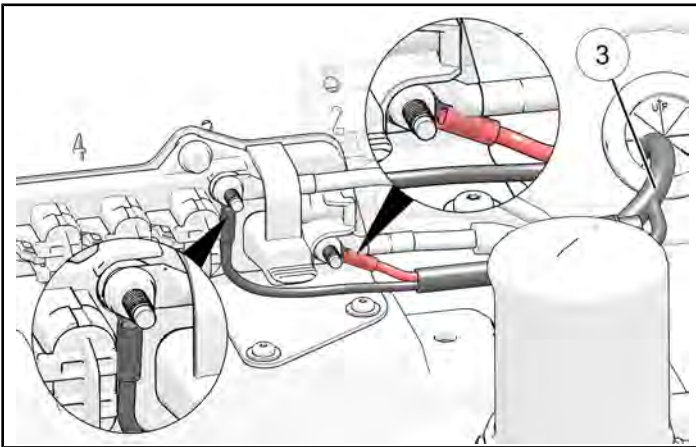
5. Use cable tie to attach subwoofer electrical harness ③ to main harness.

NOTICE

The white tape on the harness indicates the retention location.

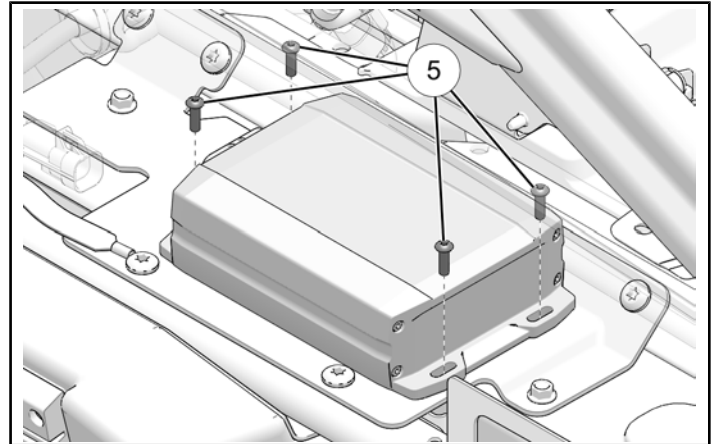


6. Connect negative and positive connectors of the subwoofer electrical harness ③ to pulse bar.



AMP INSTALLATION

1. Install amp onto top of subwoofer with four screws ⑤.



2. Torque screws to specification.

TORQUE

Amp Screws ⑤:
30 in-lbs (4 N·m)

3. Plug amp connector into amp.

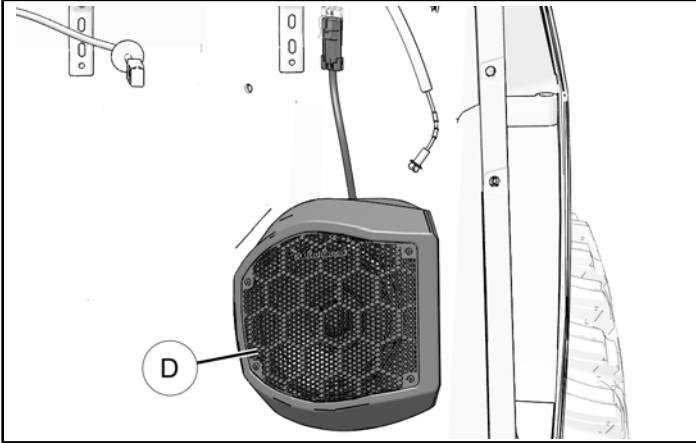
VEHICLE REASSEMBLY

PASSENGER FRONT SPEAKER INSTALLATION

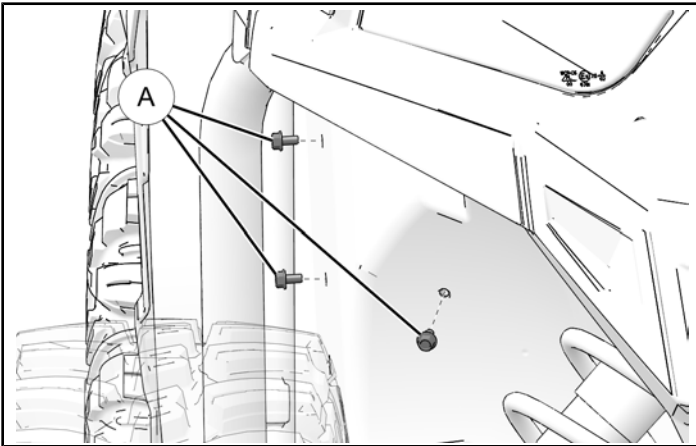
1. Install the speaker assembly ① into the vehicle and align the mounting holes.

NOTICE

Make sure speaker connector is oriented upward, and not pinched between speaker and floor panel.



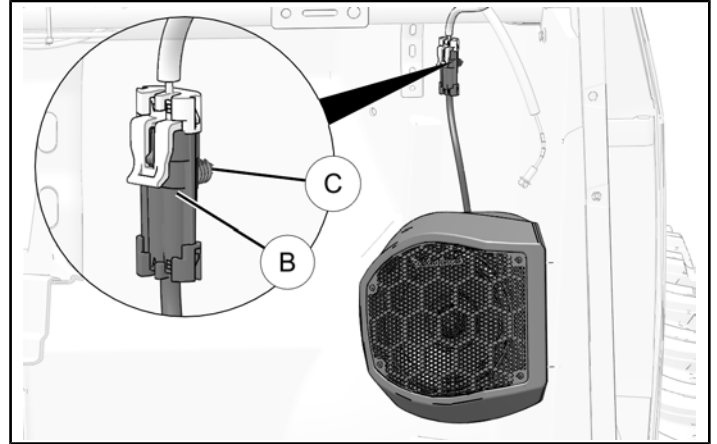
2. From the front wheel well, install three passenger speaker screws securing the speaker housing to the passenger floor panel. Torque fasteners to specification.



TORQUE

Front Speaker Housing Mount Screws:
30 in-lbs (4 N·m)

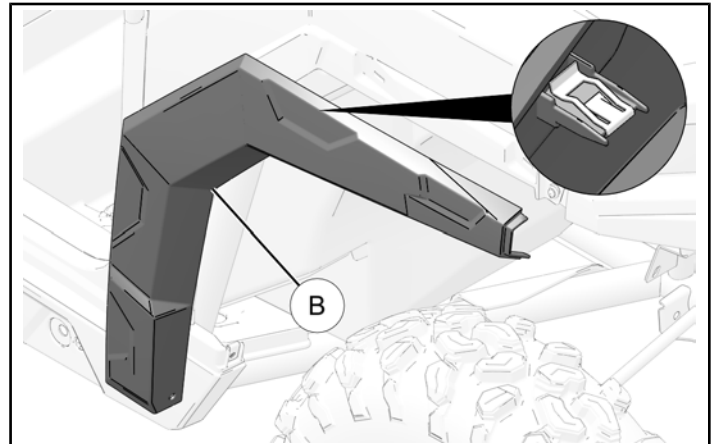
3. Connect the speaker harness connector ② to the main audio harness and secure fir tree clip ③ to hole in the passenger floor panel.



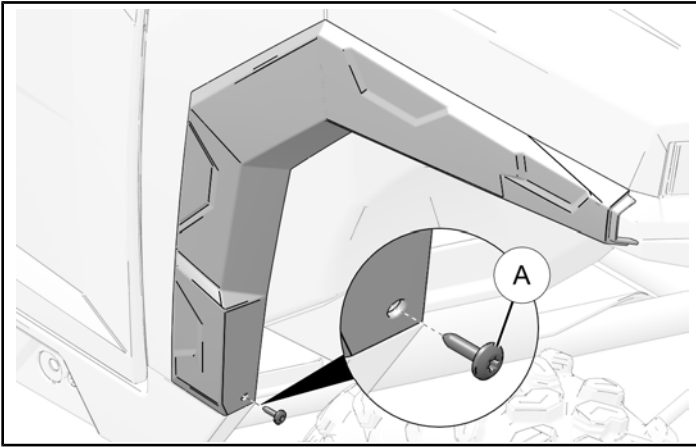
PASSENGER FRONT FENDER FLARE INSTALLATION

NON-XP MODELS

1. Install fender flare ④ by inserting five clips into fender panel.



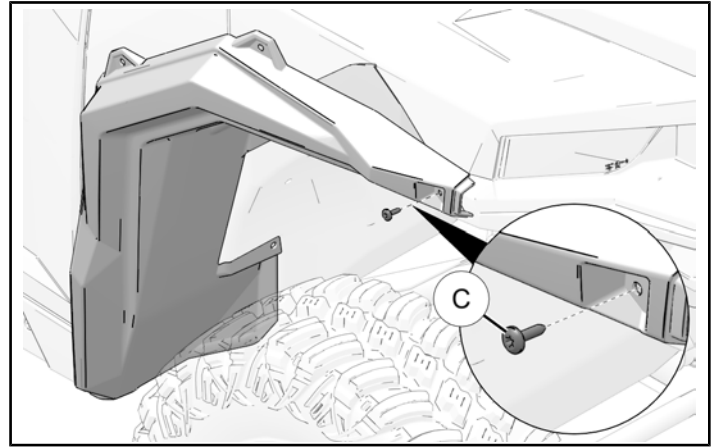
2. Install fastener (A) securing the bottom of the fender flare. Torque fastener to specification.



TORQUE

Fender Flare Fastener (A):
42 in-lbs (4.5 N·m)

2. Install fastener (C) securing the front of the fender flare. Torque fastener to specification.

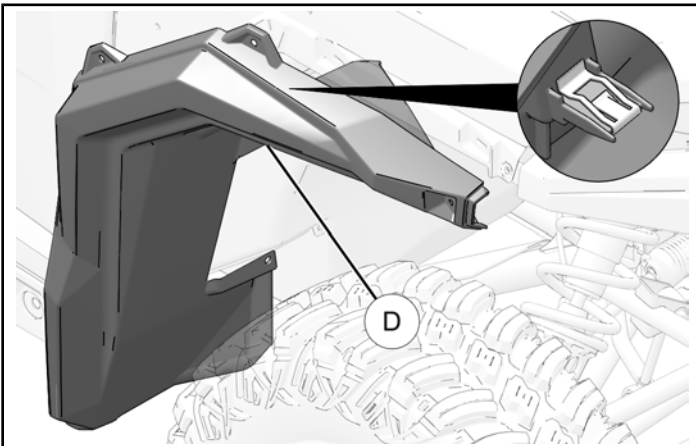


TORQUE

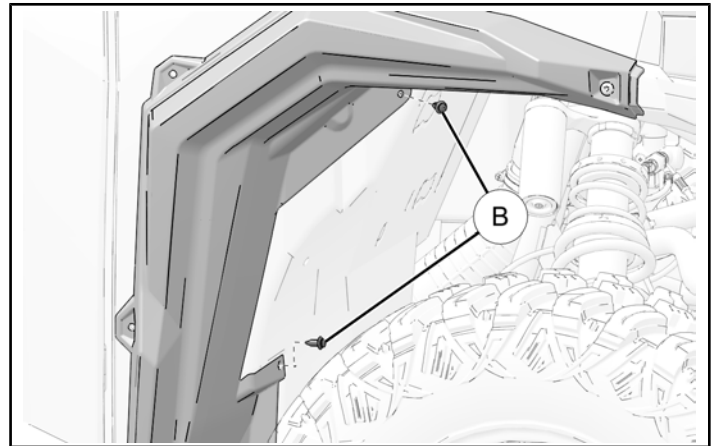
Fender Flare Fastener (C):
42 in-lbs (4.5 N·m)

XP MODELS

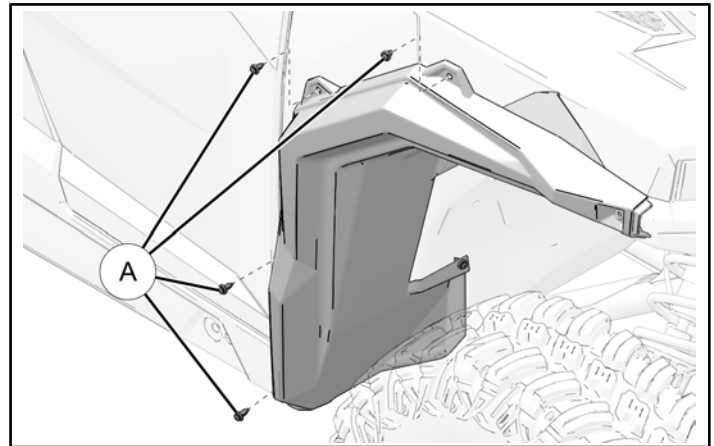
1. Install fender flare (D) by inserting five clips into fender panel.



3. Install two push pin rivets (B) securing inside of fender flare.

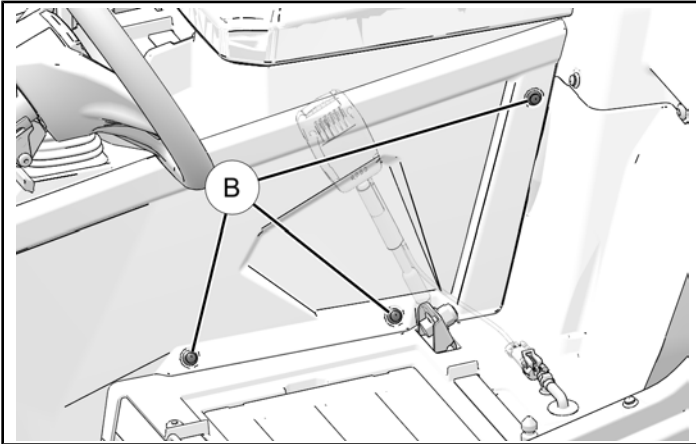


4. Install four push pin rivets (A) securing outside of fender flare.



DRIVER SIDE CENTER CONSOLE INSTALLATION

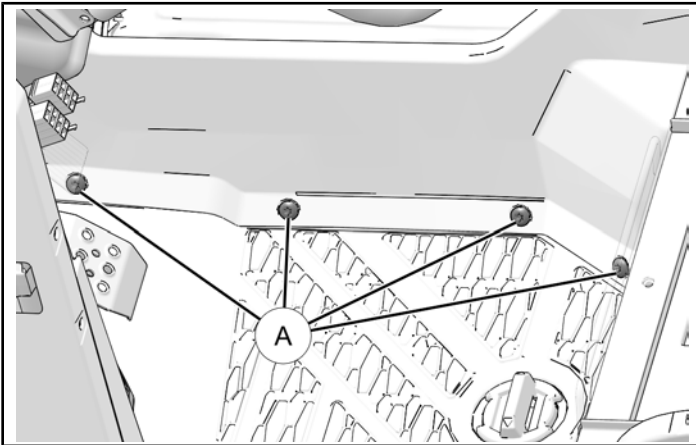
1. Install center console panel on driver side of vehicle and attach with three push pin rivets (B).



2. Install four screws (A) into bottom side of center console panel.

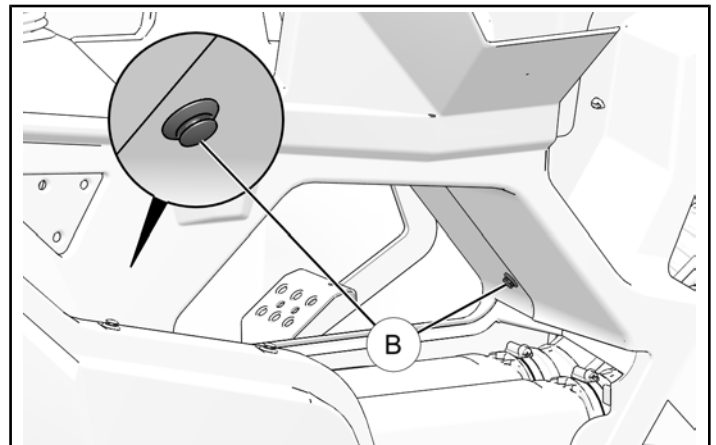
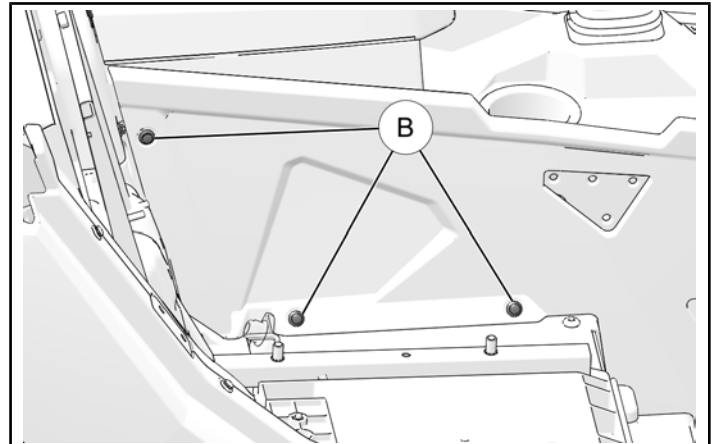
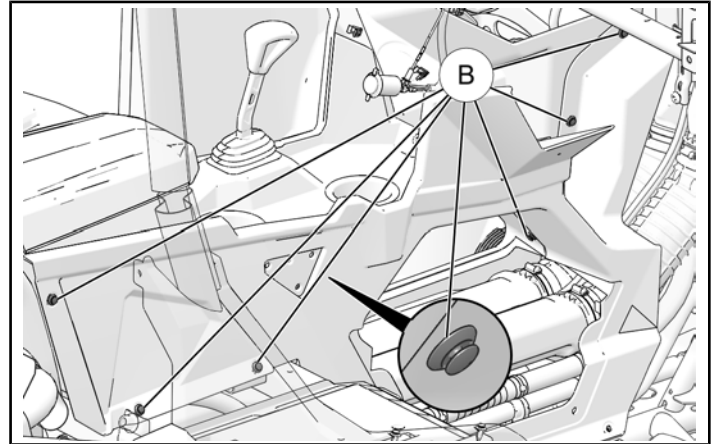
TORQUE

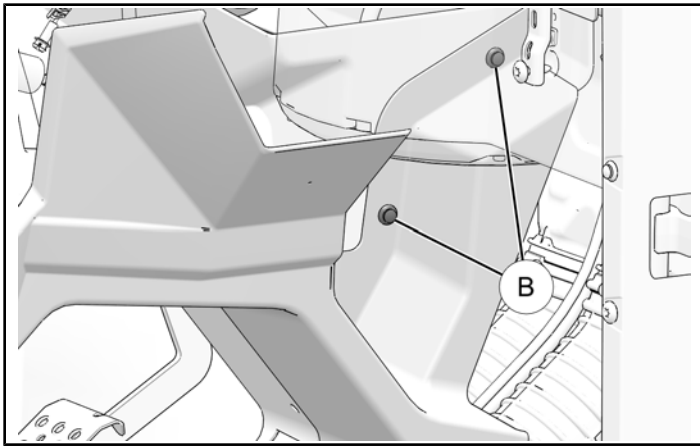
Center Console Screws (A):
42 in-lbs (4.5 N·m)



PASSENGER SIDE CENTER CONSOLE INSTALLATION

1. Install center console panel on passenger side of vehicle and attach with seven push pin rivets (B).



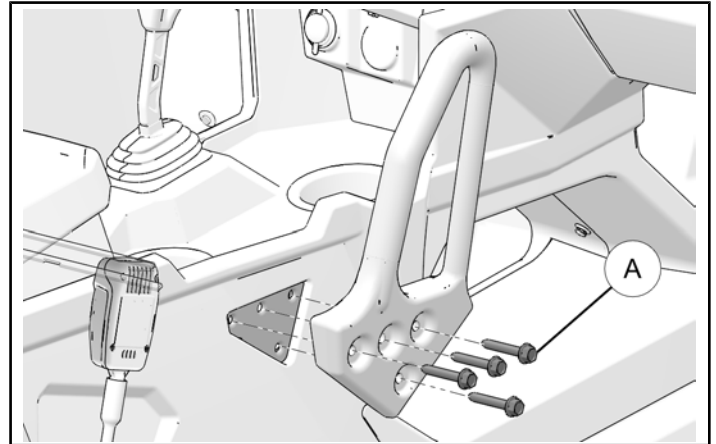


PASSENGER GRAB HANDLE INSTALLATION

1. Install passenger grab handle and attach with four screws (A). Torque screws to specification.

TORQUE

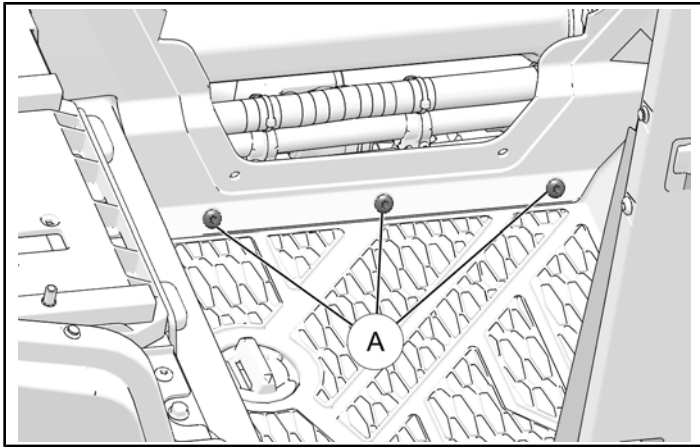
Passenger Grab Handle Screws (A):
6 ft-lbs (8 N·m)



2. Install three screws (A) into bottom side of center console panel.

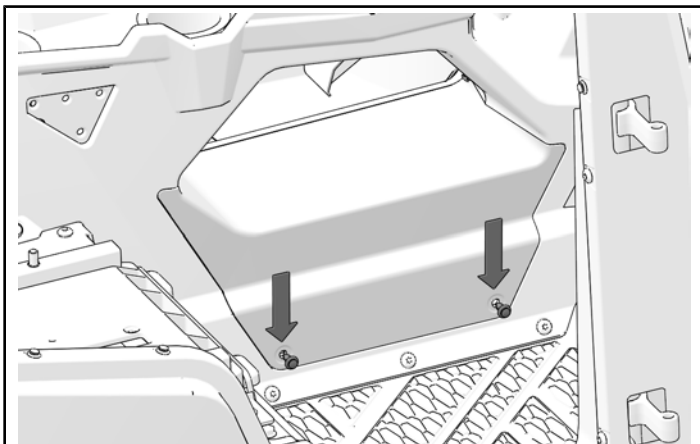
TORQUE

Center Console Screws (A):
42 in-lbs (4.5 N·m)



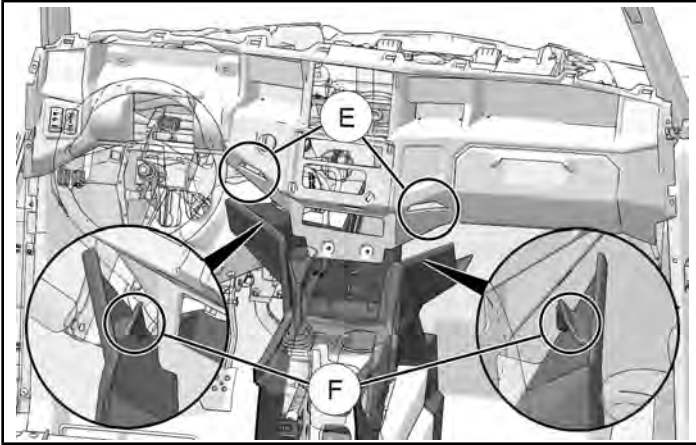
CENTER TUNNEL ACCESS COVER INSTALLATION

1. Install center tunnel access cover using two push pin rivets on passenger side of vehicle.



MAIN DASH INSTALLATION

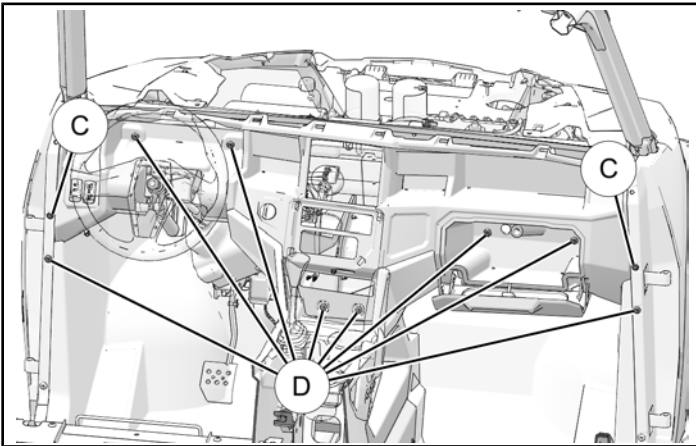
1. Lift main dash into place and connect all under dashboard electrical connections.
2. Attach main dash with tabs (F) in lower floor console panels to slots (E) in main dash panel.



3. Install fasteners and torque to specification:
 - Two screws (D) forward of instrument cluster,
 - Two screws (D) forward of gear shift lever,
 - Two screws (D) in glove box,
 - One push pin rivet (C) and one screw (D) to each side of dash.

TORQUE

Main Dash Screws (D):
42 in-lbs (4.5 N·m)

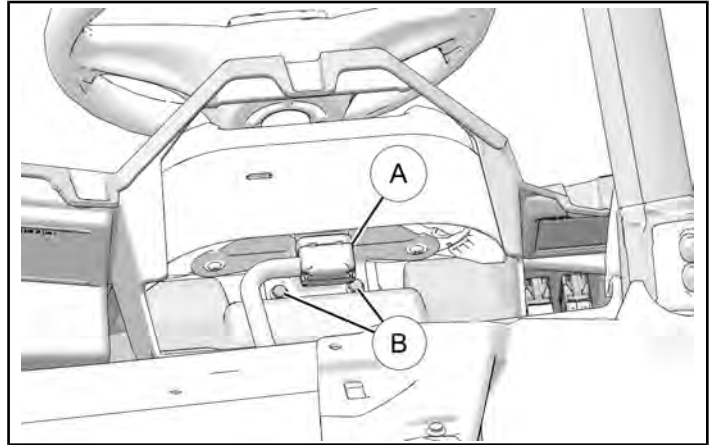


4. Put instrument cluster into dash opening.

5. Install two screws (B). Torque to specification.

TORQUE

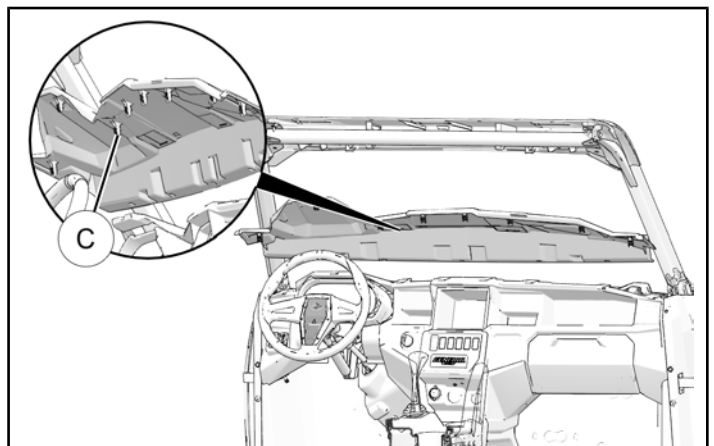
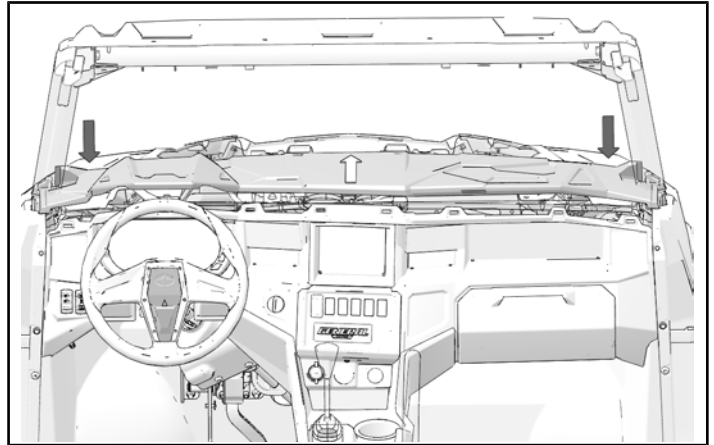
Instrument Mounting Bracket Screws (B):
42 in-lbs (4.5 N·m)



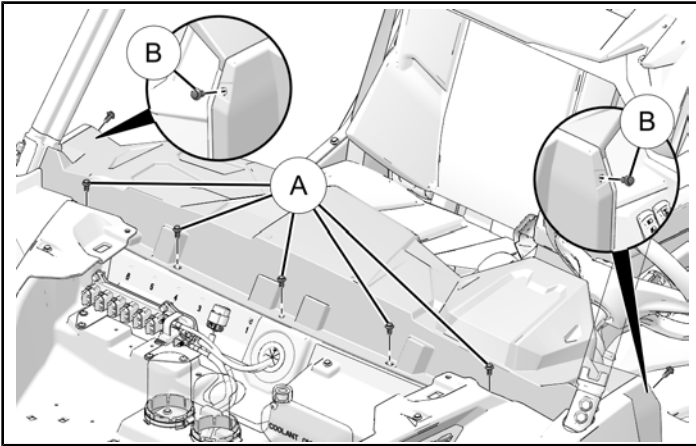
6. Attach main chassis harness connector (A) to instrument cluster.

UPPER DASH INSTALLATION

1. Slide upper dash forward and down, attaching eight spring clips (C) to main dash.



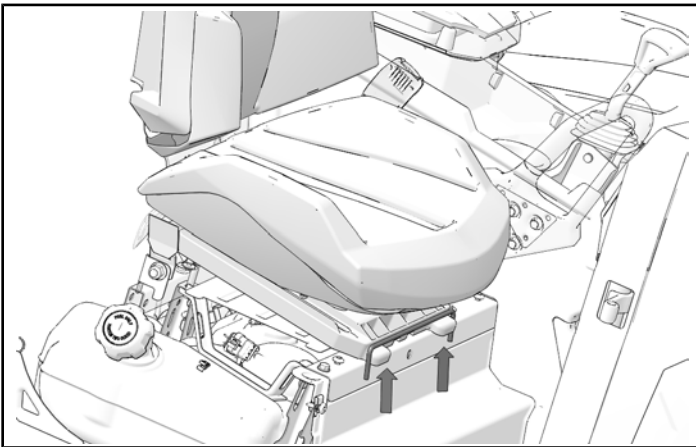
2. Install five push pin rivets (A) to front side of upper dash and two push pin rivets (B) to outer ends of upper dash.



3. If equipped, install or close windshield.

FRONT PASSENGER SEAT INSTALLATION

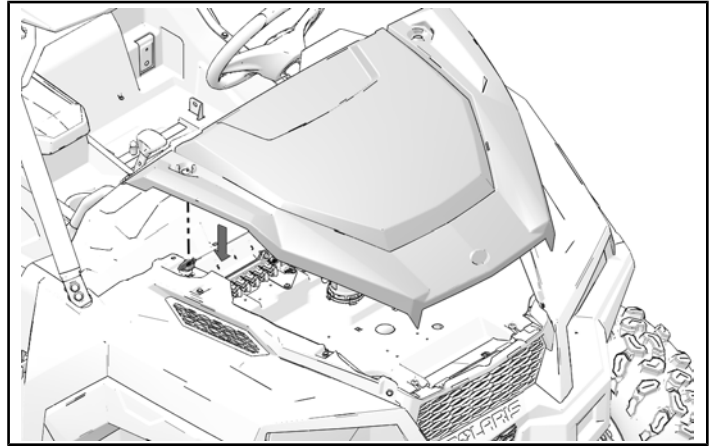
1. Install front tabs of seat base assembly into mounting bracket.



2. Press down on back of seat to latch seat into frame.
3. Lift up on seat to make sure it is fully installed.

HOOD INSTALLATION

1. Install hood on vehicle and align latches.



2. Rotate latches 90° to lock hood into place.

CONNECT BATTERY

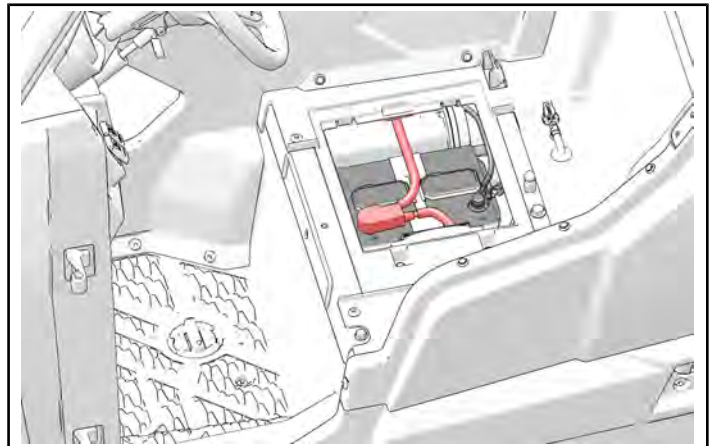
⚠ WARNING

Make sure red positive (+) battery terminal is **COMPLETELY COVERED** by protective boot. Accidental tool contact across both battery terminals will result in high current electrical arc, and may result in battery explosion. Death or serious injury may occur.

1. Connect black negative (-) battery cable. Torque to specification.

TORQUE

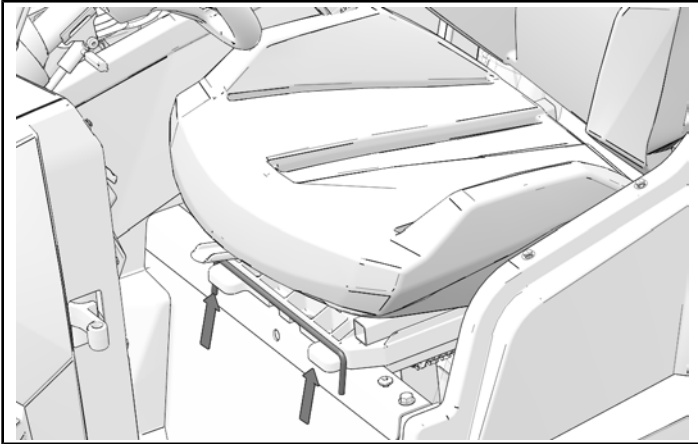
Black Negative Battery Connection:
42 in-lbs (4.5 N·m)



2. Make sure battery cables are routed correctly.
3. Install battery access cover and driver's seat (**GENERAL® 4 1000**: left rear passenger seat).

DRIVER SEAT INSTALLATION

1. Install front tabs of seat base assembly into mounting bracket.



2. Press down on back of seat to latch seat into frame.
3. Lift up on seat to make sure it is fully installed.

INSTRUCTION FEEDBACK FORM

A feedback form has been created for the installer to provide any comments, questions or concerns about the installation instructions. The form is viewable on mobile devices by scanning the QR code or by clicking [HERE](#) if viewing on a PC.



OPERATION

SUBWOOFER SOFTWARE UPDATE

NOTICE

Subwoofer software updates must be completed for subwoofer to operate correctly.

1. Follow link: <https://ridecommand.polaris.com/display/tutorials> to install the subwoofer software updates.