

# AUXILIARY LIGHT KIT



P/N 2889733; 2889863

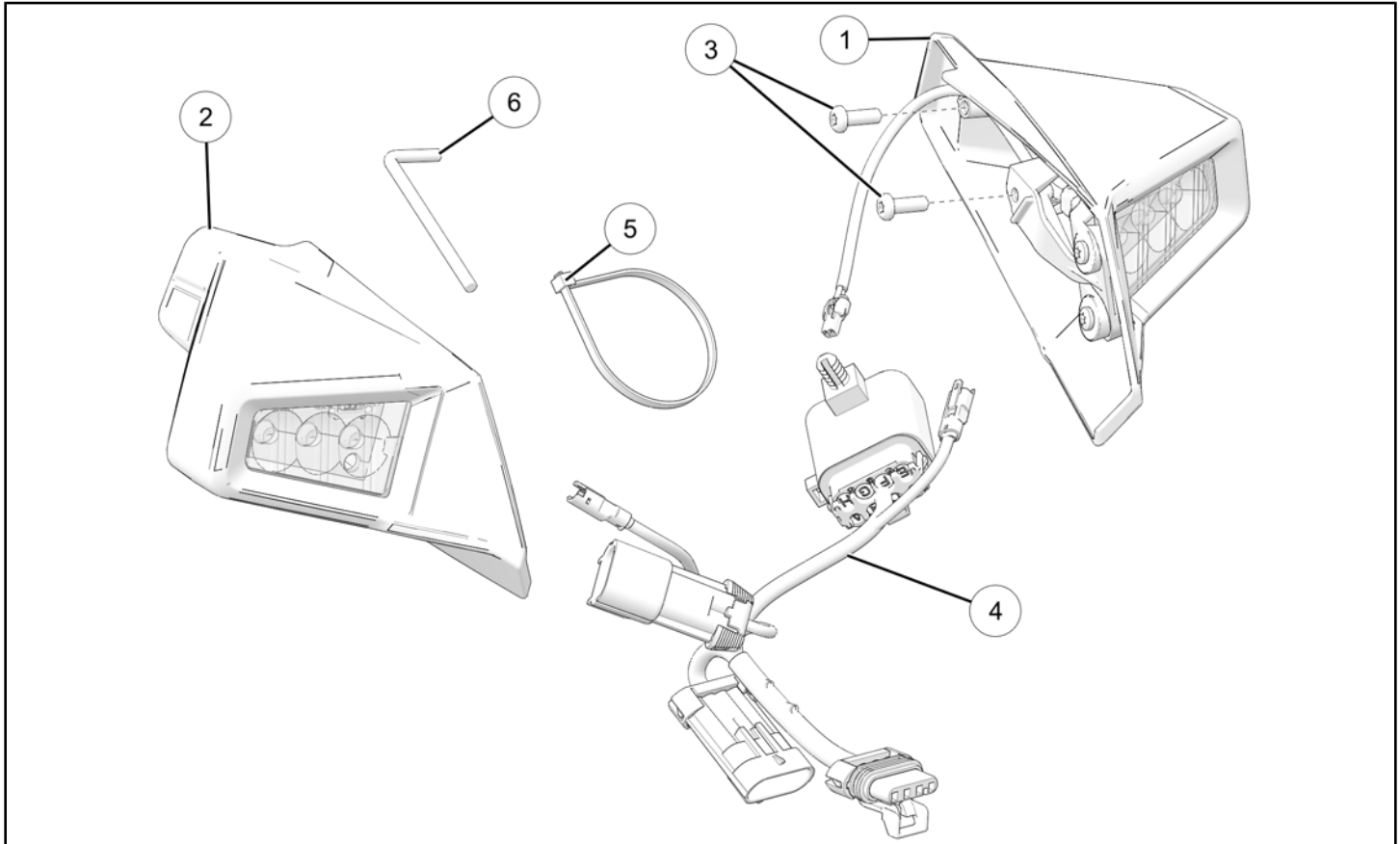
## BEFORE YOU BEGIN

Read these instructions and check to be sure all parts and tools are accounted for. Please retain these installation instructions for future reference and parts ordering information.

## APPLICATION

Verify accessory fitment at [www.polaris.com](http://www.polaris.com).

## KIT CONTENTS



## P/N 2889733

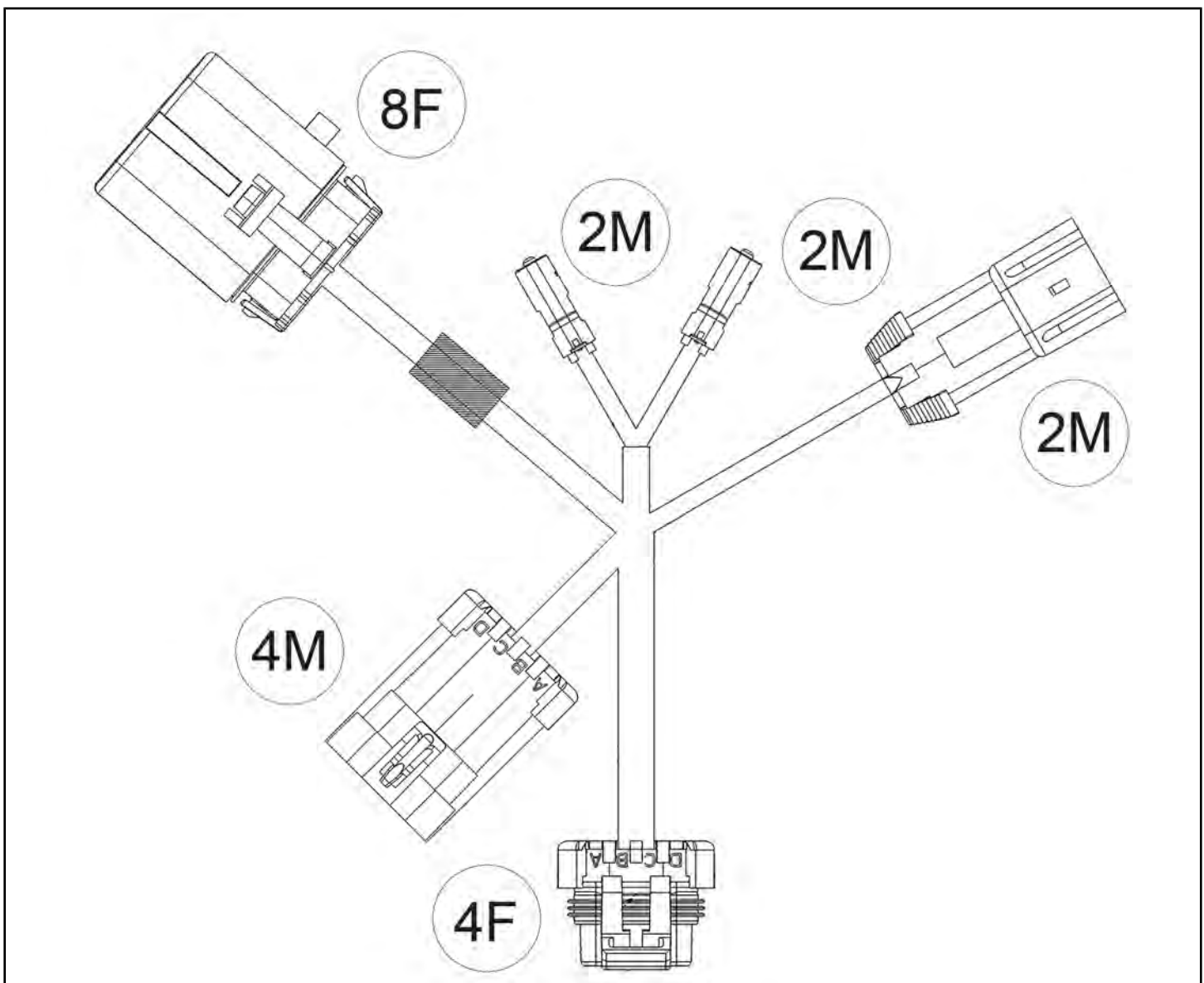
REF	QTY	PART DESCRIPTION	P/N AVAILABLE SEPARATELY
1	1	Aux Flood Light Left-hand	2638901
2	1	Aux Flood Light Right-hand	2638902
3	4	Screw – 10 x 5/8 in	7518577
4	1	Harness – Aux Light	2416594
5	1	Cable Tie	7080138
6	1	Tool –T25	n/a
n/a	1	Drill Template (not shown – located on box flap)	n/a

## P/N 2889863

REF	QTY	PART DESCRIPTION	P/N AVAILABLE SEPARATELY
1	1	Aux Punch Light Left-hand	2638969
2	1	Aux Punch Light Right-hand	2638970
3	4	Screw – 10 x 5/8 in	7518577
4	1	Harness – Aux Light	2416594
5	1	Cable Tie	7080138
6	1	Tool – T25	n/a
n/a	n/a	Drill Template (not shown – located on box flap)	n/a

## HARNESS DETAIL

### AUXILIARY LIGHT HARNESS



REF	PART DESCRIPTION	CONNECTS TO
8F	High Beam Relay	n/a
2M	Aux Light Connector	Right Auxiliary Light
2M	Aux Light Connector	Left Auxiliary Light
2M	Power Connection	Power
4F	Headlight Connector	Headlight
4M	Headlight Harness Connection	Headlight Harness

Example: 16F = 16 pin, Female / 16M = 16 pin, Male (Male terminal fits inside female terminal)

## TOOLS REQUIRED

- Safety Glasses
- Drill
- Drill Bit:
  - 1/4 in (6 mm)
- Drill Stop
- Punch, Center Marking
- Screwdriver Set, Torx®
- Socket Set, Metric
- Socket Set, Torx® Bit

## IMPORTANT

Your Auxiliary Light Kit is exclusively designed for your vehicle. Please read the installation instructions thoroughly before beginning. Installation is easier if the vehicle is clean and free of debris. For your safety, and to ensure a satisfactory installation, perform all installation steps correctly in the sequence shown.

## INSTALLATION INSTRUCTIONS

### VEHICLE PREPARATION

#### GENERAL

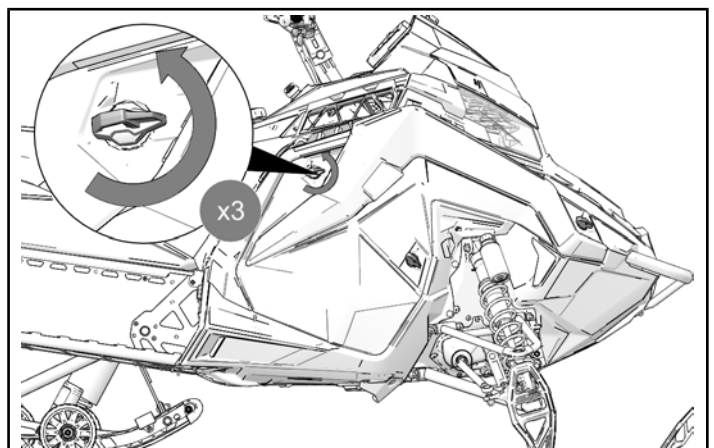
1. Park vehicle on a flat surface.
2. Push engine stop switch to OFF position.
3. Turn key to OFF position and remove key.

### REMOVE SIDE PANELS

1. Twist three quarter-turn fasteners toward rear of snowmobile. Remove side panel.

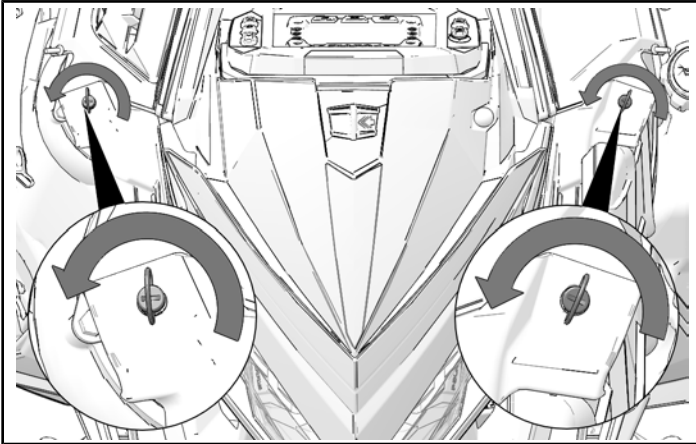
#### NOTICE

Right side panel shown, left side similar.

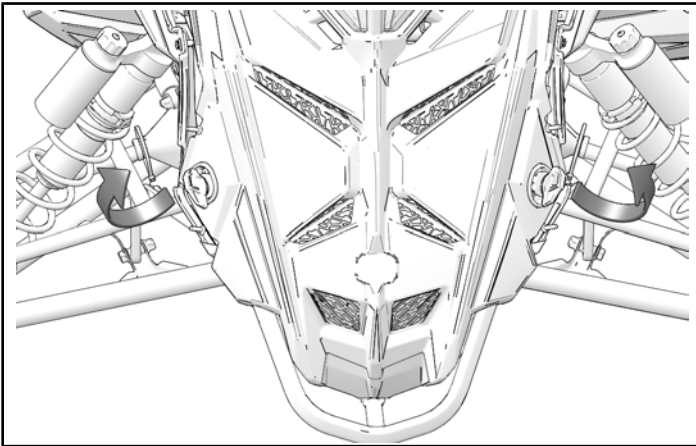


## REMOVE HOOD

1. Turn hood fasteners counter-clockwise to release hood.



2. Pull sides of hood out away from side panel fasteners.



3. Lift hood up and away from snowmobile.

### NOTICE

Disconnect wiring when removing hood.



## ACCESSORY INSTALLATION

### TIP

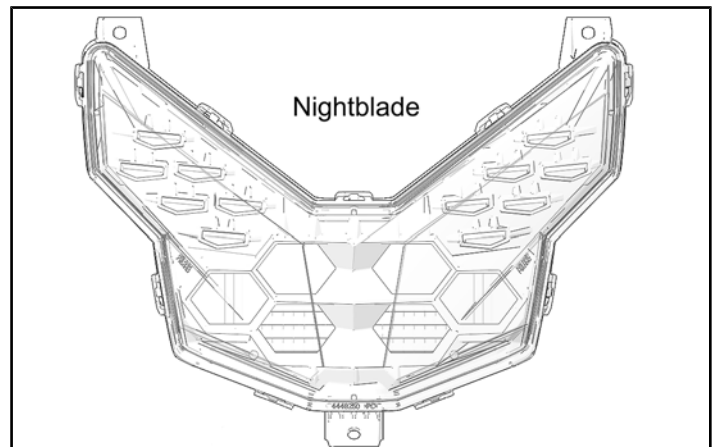
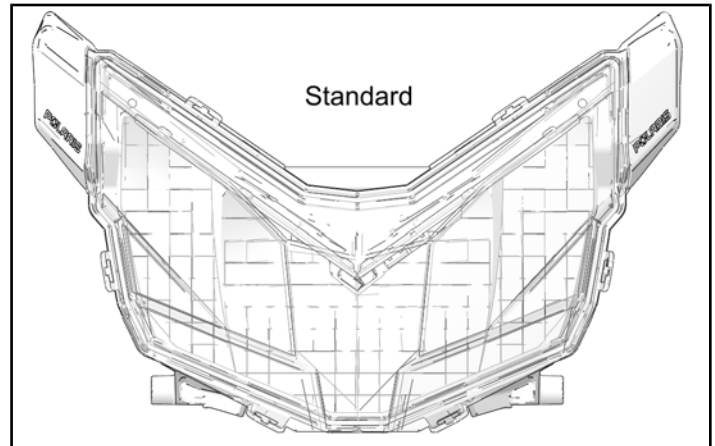
If snowmobile is equipped with accessory mid or tall windshield, removal of windshield may make installation easier. Refer to accessory windshield instructions for windshield installation information.

### NOTICE

Snowmobiles equipped with Nightblade headlight will require headlight removal before installation of Auxiliary Lights. Headlight removal is not required on snowmobiles equipped with Standard headlight.

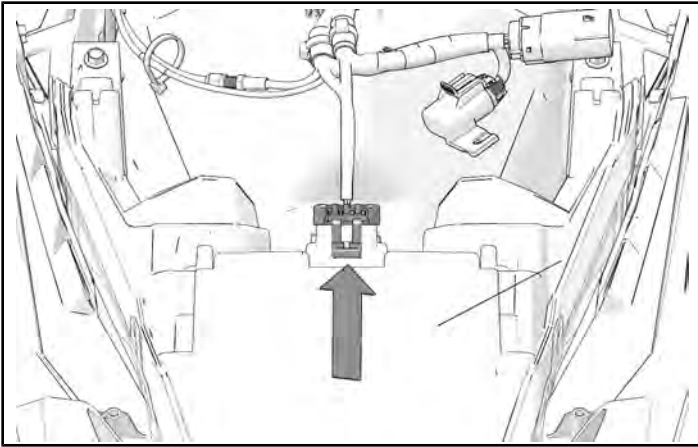
## REMOVE HEADLIGHT (NIGHTBLADE-EQUIPPED MODELS ONLY)

1. Identify type of headlight. Snowmobiles equipped with Standard headlight should continue to next section

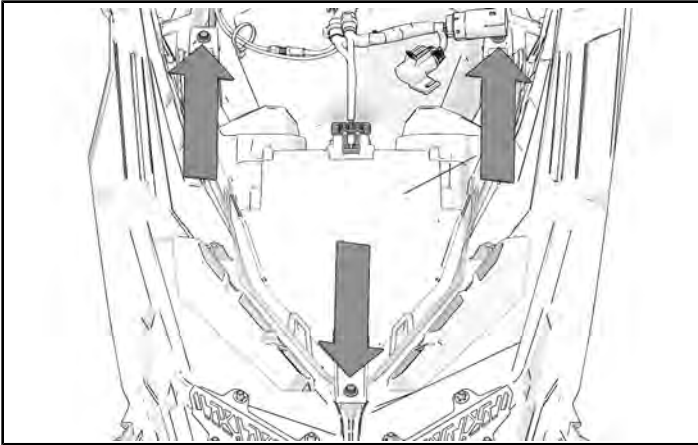




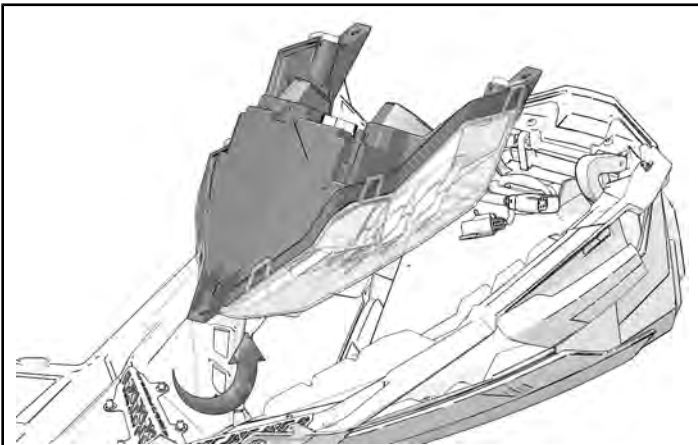
2. Disconnect headlight wiring.



3. Remove three screws.

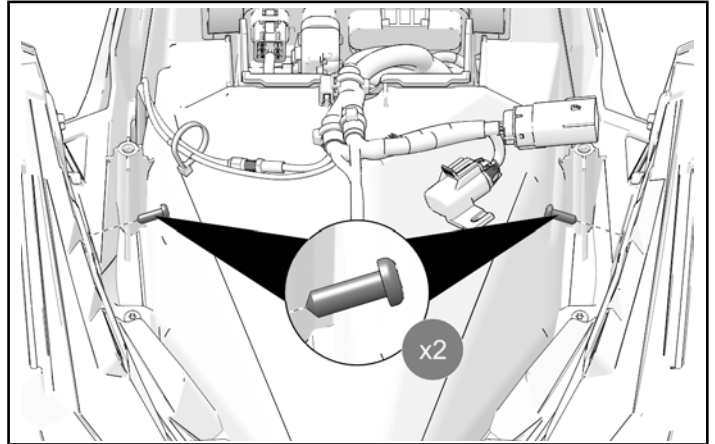


4. Pull headlight assembly back and up to remove from hood.

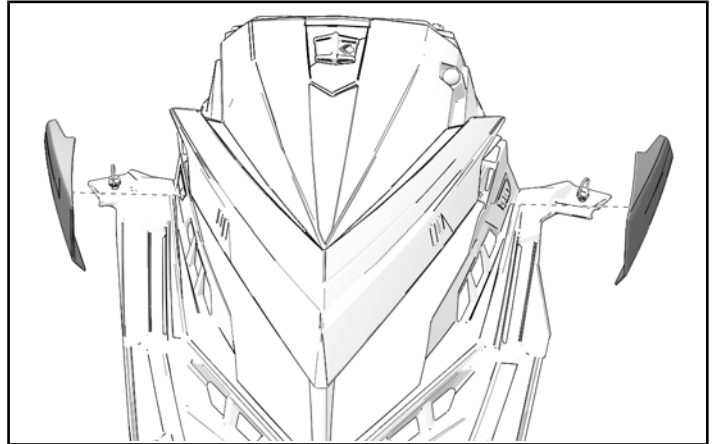


## AUXILIARY LIGHT INSTALLATION

1. Remove two side trim screws. Use supplied T25 tool ⑥ (not shown).



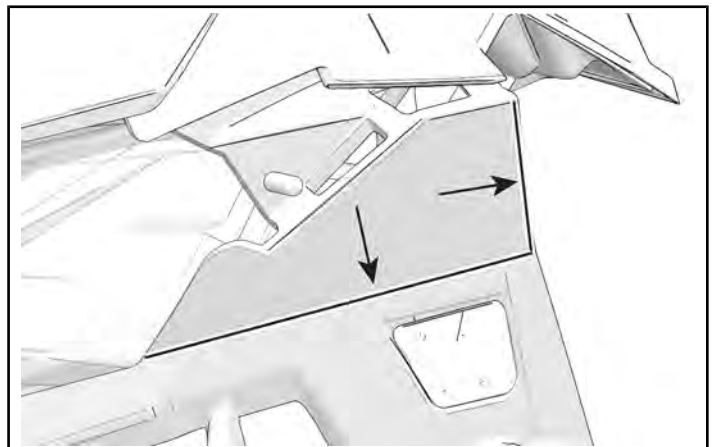
2. Remove side trim.



3. Align template along edges of hood.

### NOTICE

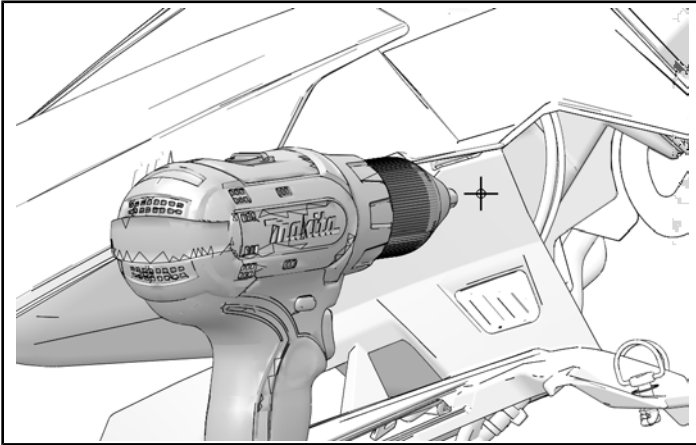
Left side shown. Start with left side. Template is reversible and can be used on both sides.



4. Use supplied template located on box flap to mark drill location. Drill hole on mark.

**MEASUREMENT**

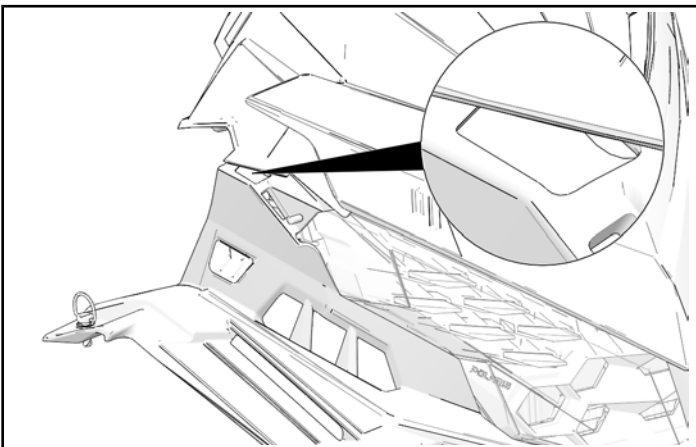
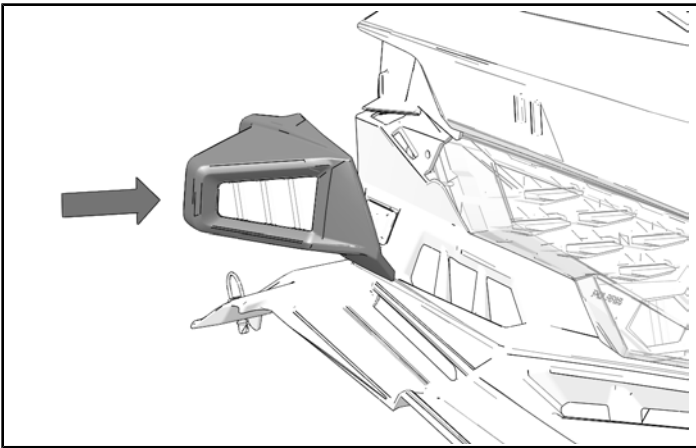
Drill Bit: 1/4 in. (6 mm)



5. Put auxiliary light in position on side of hood. Feed wiring through opening in hood while installing light assembly.

**NOTICE**

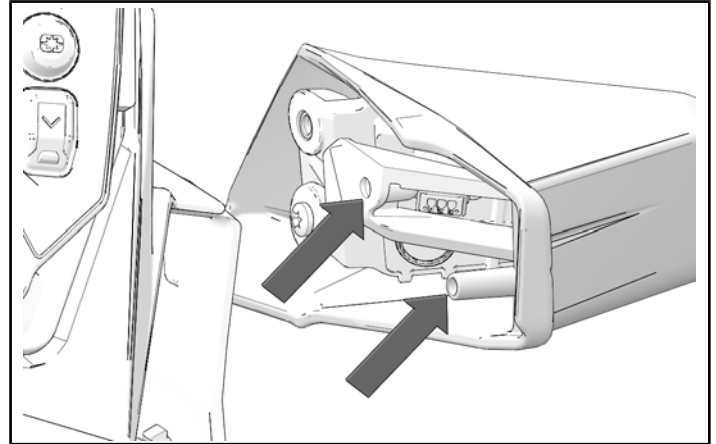
Right side shown, left side similar.



6. Attach auxiliary light using tool ⑥ (not shown) and two screws ④ (not shown) in positions shown. Use existing hole and drilled hole. Torque screws until fully-seated.

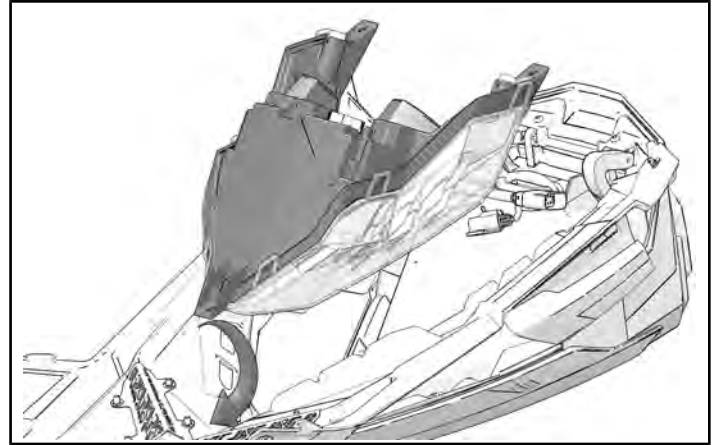
**NOTICE**

Do not over tighten screws.



**INSTALL HEADLIGHT  
(NIGHTBLADE-EQUIPPED MODELS)**

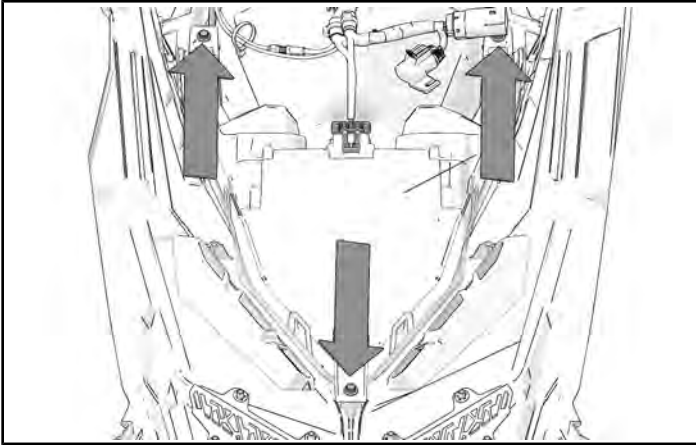
1. Put headlight in place on hood.



2. Attach headlight using four screws.

**NOTICE**

Make sure wires do not get pinched when installing headlight.



**INSTALL WIRING HARNESS**

1. Measure 1/2 down from edge of hood molding, then 1/2 over. Drill a hole in this location.

**IMPORTANT**

Remove any accessory bags or items from the storage compartment before drilling hole.

**IMPORTANT**

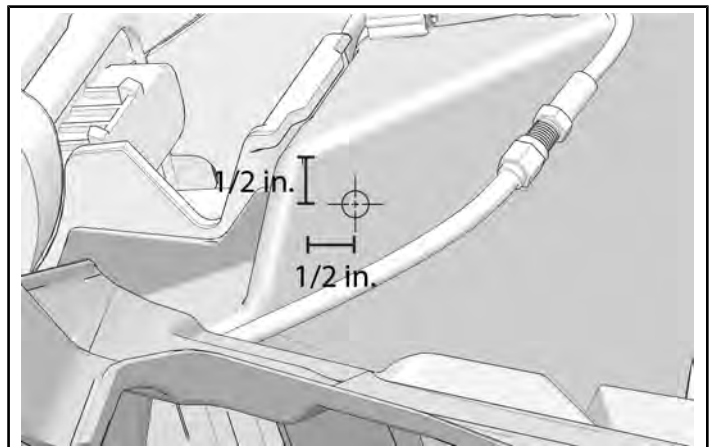
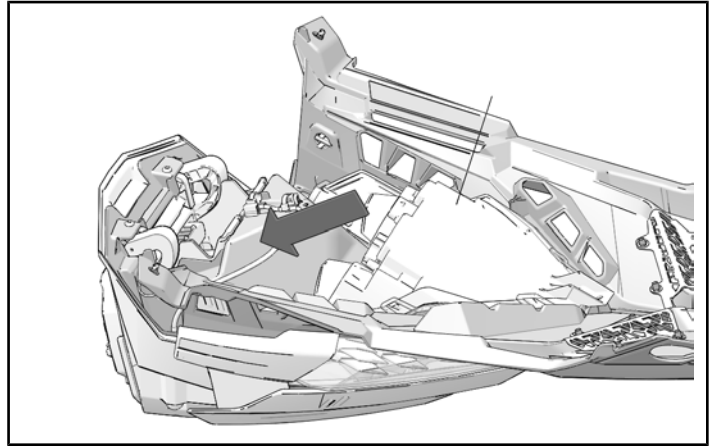
Control drill depth.

**MEASUREMENT**

1/2 in (1.25 cm)

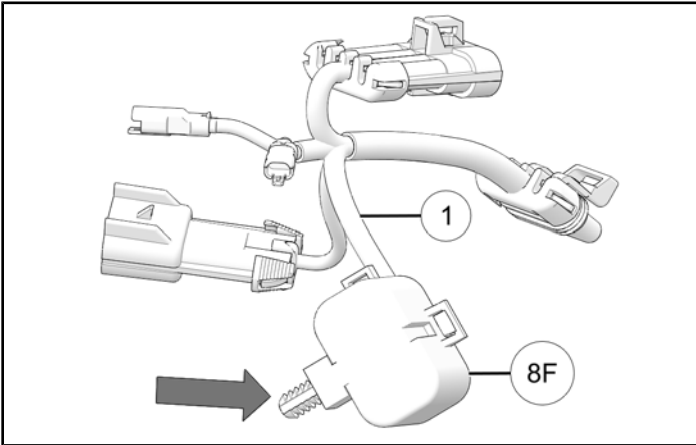
**MEASUREMENT**

Drill Bit Size 1/4 in (6 mm)

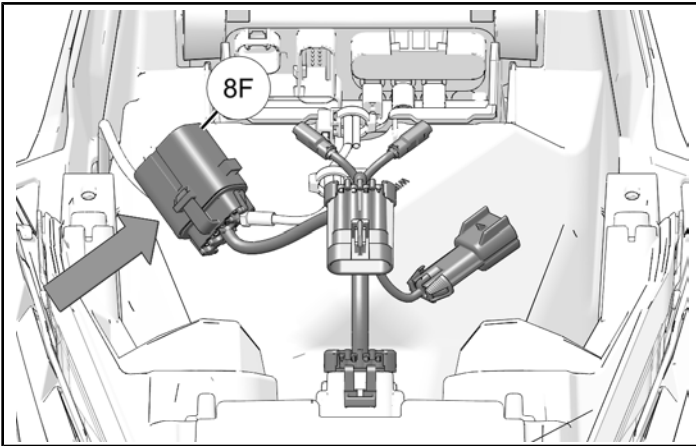




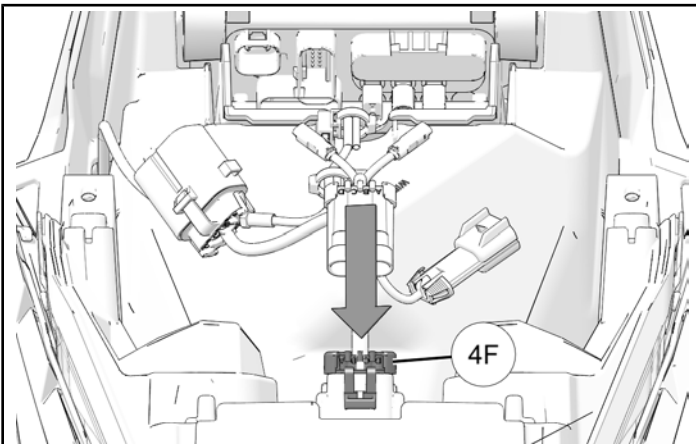
2. Locate connector **8F** and attached push pin clip on wiring harness ①



3. Attach wiring harness in drilled hole using push pin clip on connector **8F**.



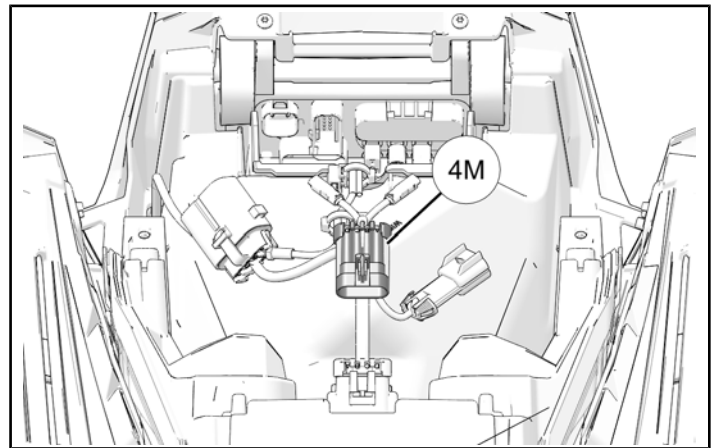
4. Attach connector **4F** to headlight.



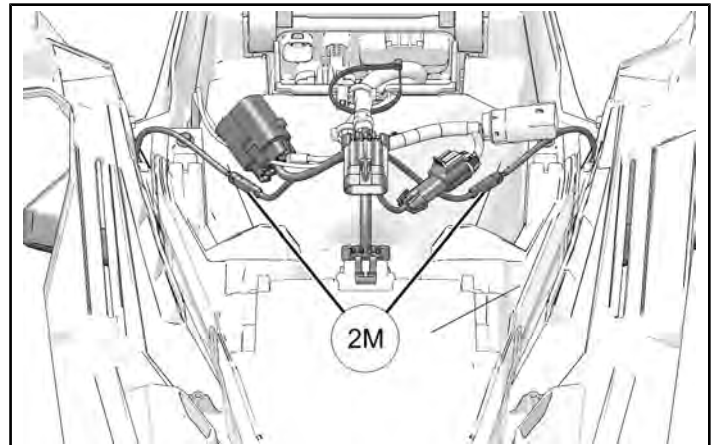
5. Attach connector **4M** to existing headlight connection on snowmobile.

**TIP**

Connection for **4M** will look just like connector **4F** from Step 3.



6. Connect two **2M** connectors to auxiliary lights.

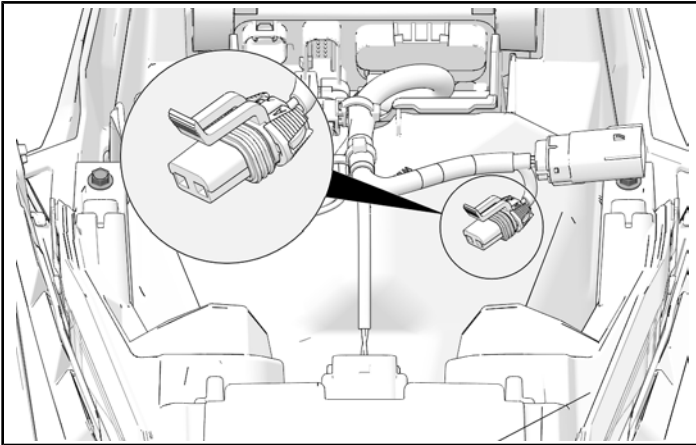




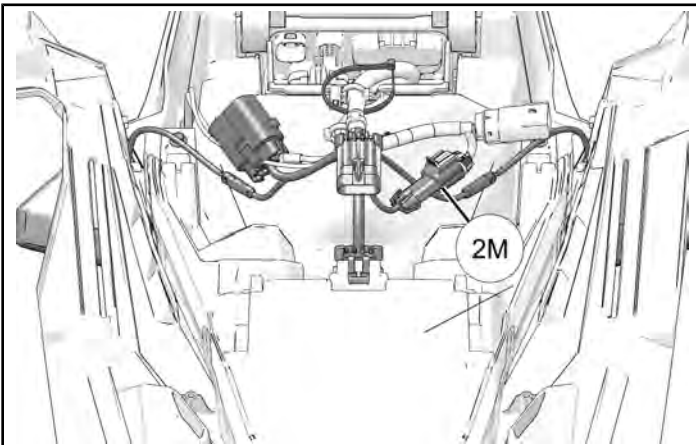
7. Remove tape and protective cap from existing power connection on snowmobile. Keep protective cap.

**NOTICE**

Tape and cap not shown. Aux light harness not shown.



8. Connect **2M** to power on snowmobile.



**TIP**

If re-installing accessory windshield, pull sides of windshield apart when fitting over auxiliary lights.

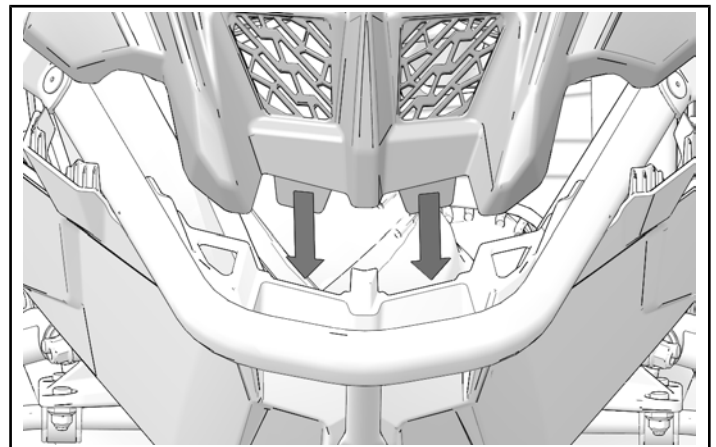
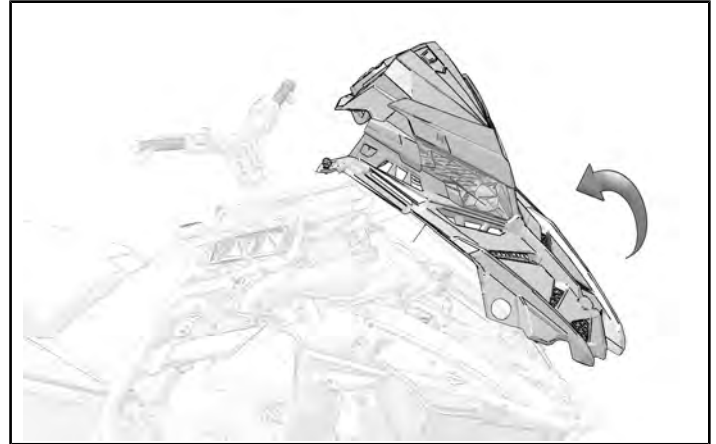
## VEHICLE REASSEMBLY

### INSTALL HOOD

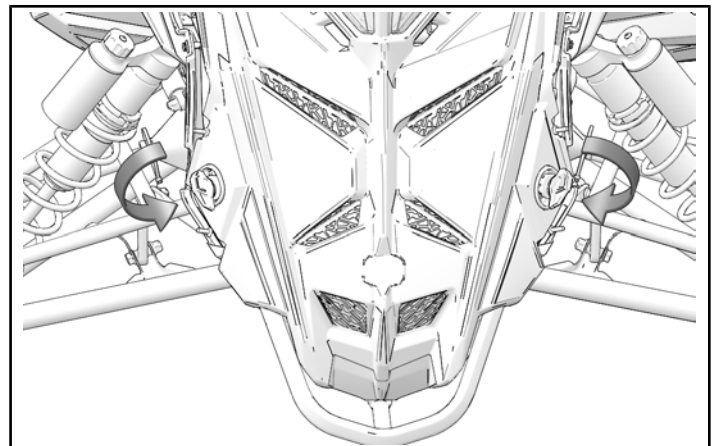
1. Install hood on snowmobile. Make sure tabs fit inside front pan.

**NOTICE**

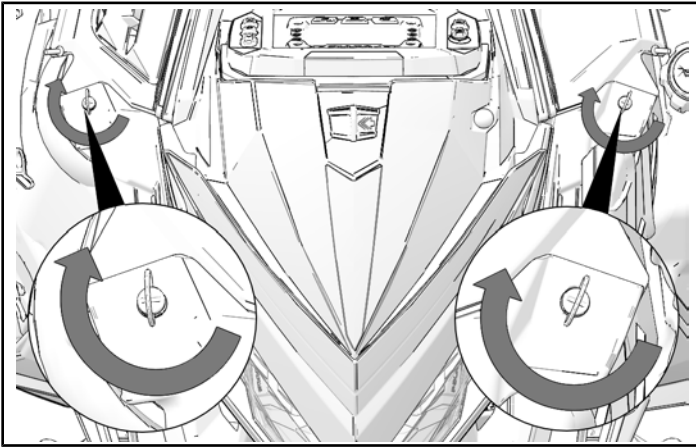
Make sure to connect hood wiring when installing hood.



2. Pull sides of hood out and install over side panel fasteners.



3. Turn hood fasteners clockwise to lock hood.

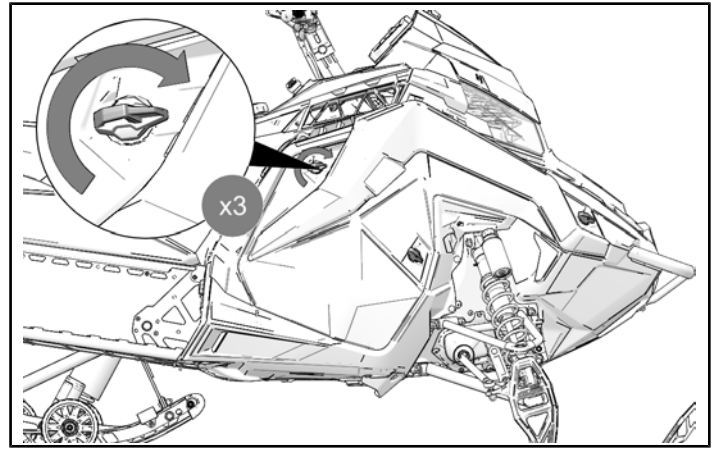


## INSTALL SIDE PANELS

1. Install side panel on snowmobile. Turn three fasteners toward front of snowmobile to lock panel.

### NOTICE

Right side panel shown, left side similar.



## OPERATION

- Auxiliary lights are off when snowmobile headlights are switched to low beam.
- Auxiliary lights are on when snowmobile headlights are switched to high beam.

## INSTRUCTION FEEDBACK FORM

A feedback form has been created for the installer to provide any comments, questions or concerns about the installation instructions. The form is viewable on mobile devices by scanning the QR code or by clicking [HERE](#) if viewing on a PC.

