

# HEADACHE RACK KIT



P/N 2889666

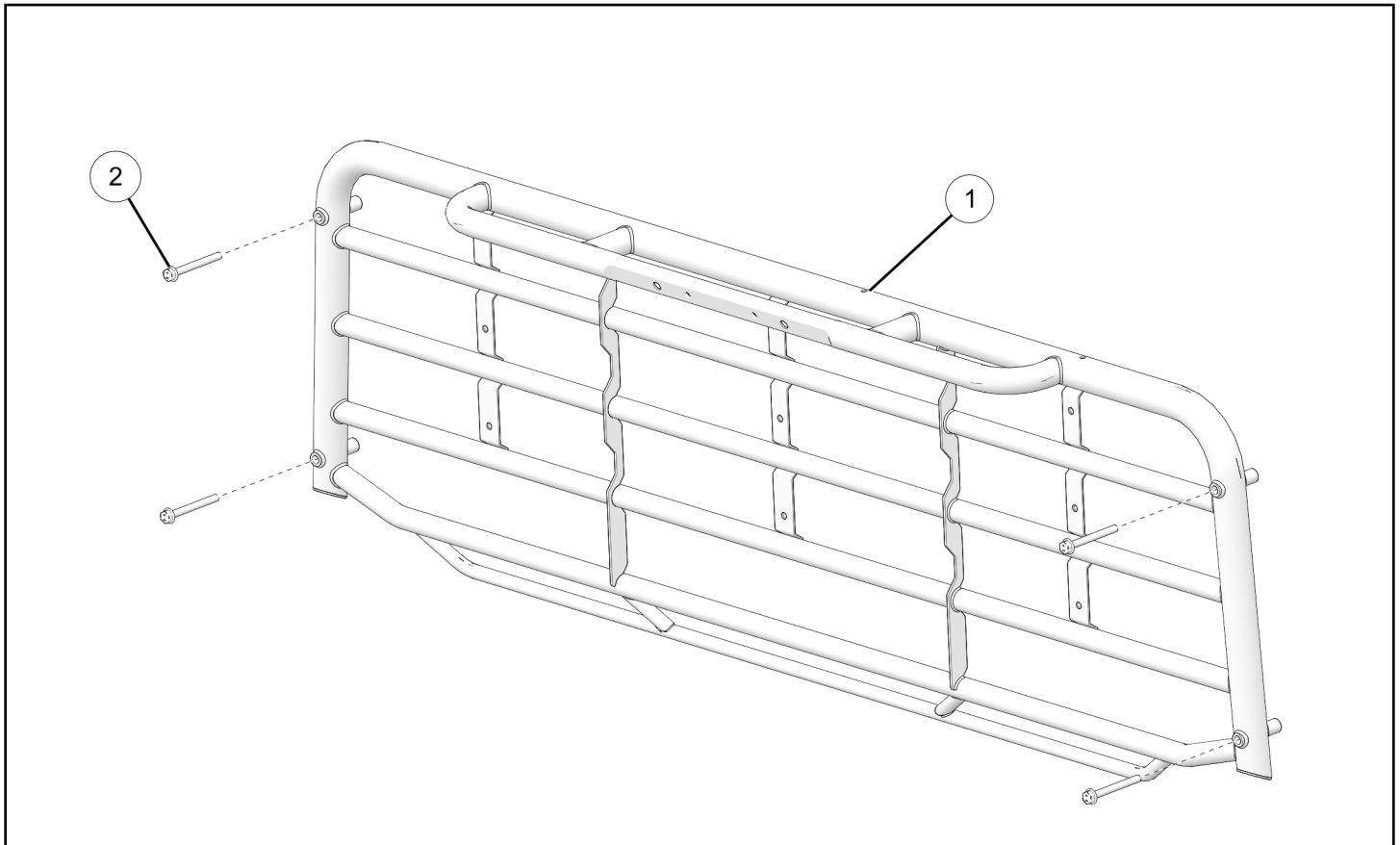
## BEFORE YOU BEGIN

Read these instructions and check to be sure all parts and tools are accounted for. Please retain these installation instructions for future reference and parts ordering information.

## APPLICATION

Verify accessory fitment at [www.polaris.com](http://www.polaris.com).

## KIT CONTENTS



REF	QTY	PART DESCRIPTION	P/N AVAILABLE SEPARATELY	AVAILABLE SERVICE KIT
1	1	Headache Rack	1027637	n/a
2	4	Screw, Hex, Flange, M8 x 1.25 x 75 mm	7521332-75	2209586

## TOOLS REQUIRED

- Safety Glasses
- Socket Set, Hex Bit, Metric

## IMPORTANT

Your Headache Rack Kit is exclusively designed for your vehicle. Please read the installation instructions thoroughly before beginning. Installation is easier if the vehicle is clean and free of debris. For your safety, and to ensure a satisfactory installation, perform all installation steps correctly in the sequence shown.

# INSTALLATION INSTRUCTIONS

## VEHICLE PREPARATION

### GENERAL

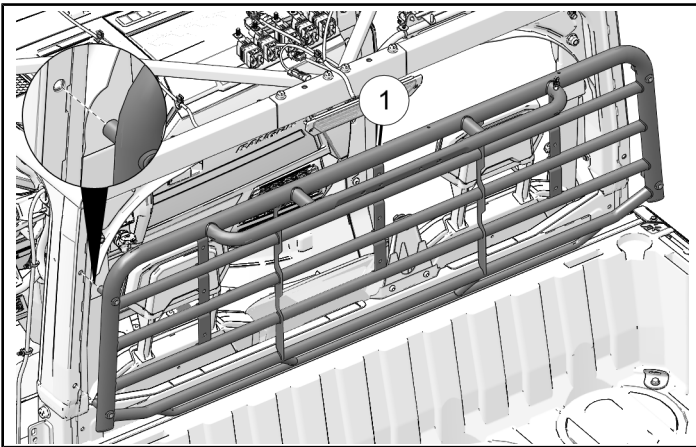
1. Park vehicle on a flat surface.
2. Shift vehicle into PARK.
3. Turn key to OFF position and remove key.

### ACCESSORY INSTALLATION

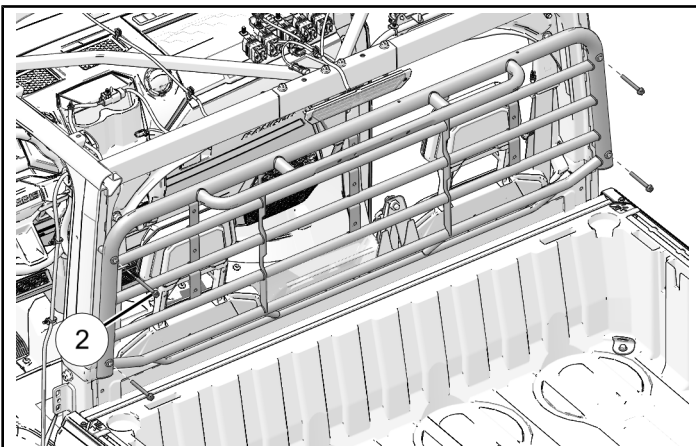
1. Align main rack ① with rear panel holes.

#### TIP

It is recommended that this step be done with two people.



2. Attach headache rack to vehicle with four bolts ②. Hand tighten bolts.



3. Torque four bolts ② to specification.

#### TORQUE

Bolts ②:  
**16.23 ft-lbs (22 N·m)**