

REAR VIEW MIRROR KIT



P/N 2889096

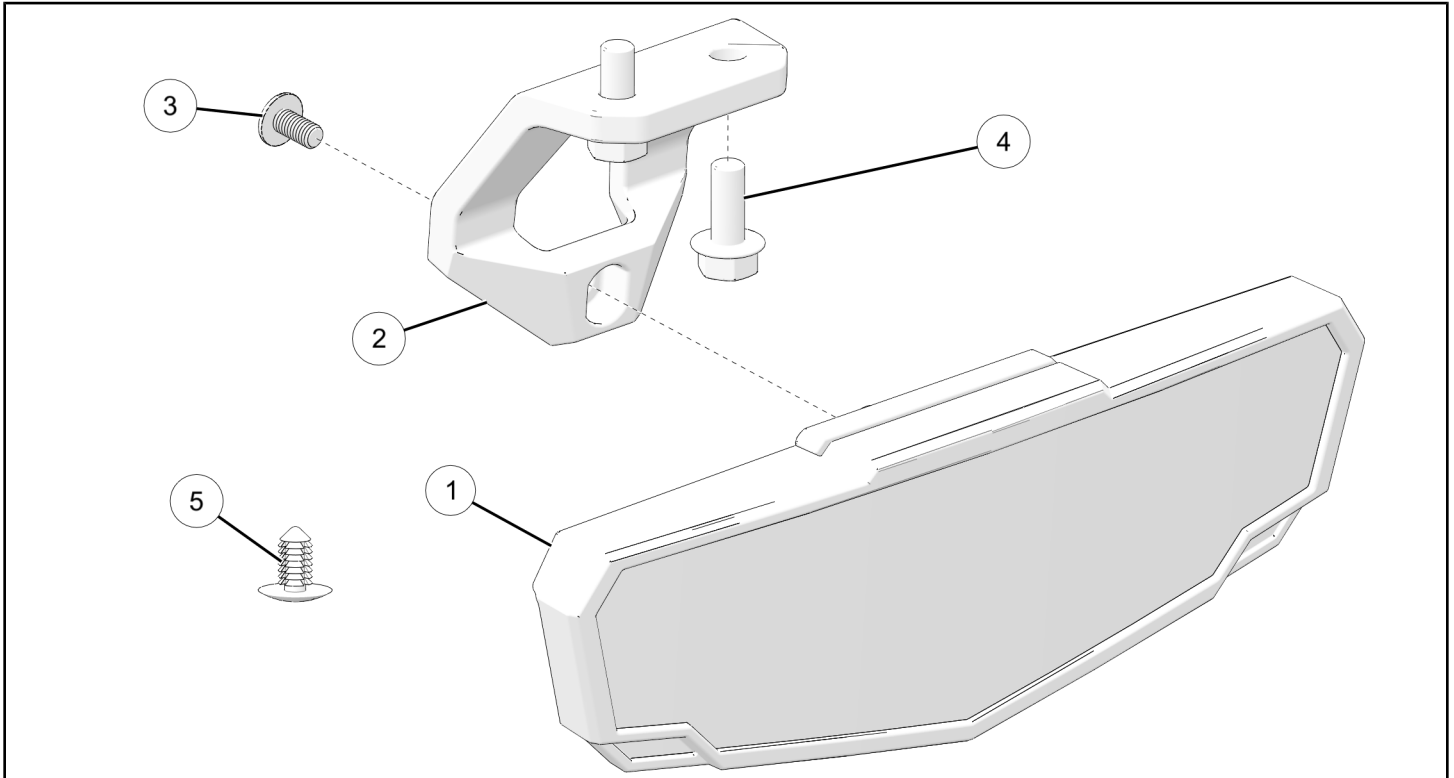
BEFORE YOU BEGIN

Read these instructions and check to be sure all parts and tools are accounted for. Please retain these installation instructions for future reference and parts ordering information.

APPLICATION

Verify accessory fitment at www.polaris.com.

KIT CONTENTS



REF	QTY	PART DESCRIPTION	P/N AVAILABLE SEPARATELY	AVAILABLE SERVICE KIT
1	1	Mirror Assembly	n/a	2638863
2	1	Mount	5639414	2638863
3	1	Screw, Button Head M6 x 1.0 x 12 mm	n/a	2638863
4	2	Screw, Hex Flange Head M8 x 1.25 x 20 mm	7521332-20	2209575
5	9	Nylon Push Dart	7670088	n/a

TOOLS REQUIRED

- Safety Glasses
- Cutting Tool
- Socket Set, Metric
- Socket Set, Torx® Bit
- Torque Wrench

IMPORTANT

Your Rear View Mirror Kit is exclusively designed for your vehicle. Please read the installation instructions thoroughly before beginning. Installation is easier if the vehicle is clean and free of debris. For your safety, and to ensure a satisfactory installation, perform all installation steps correctly in the sequence shown.

INSTALLATION INSTRUCTIONS

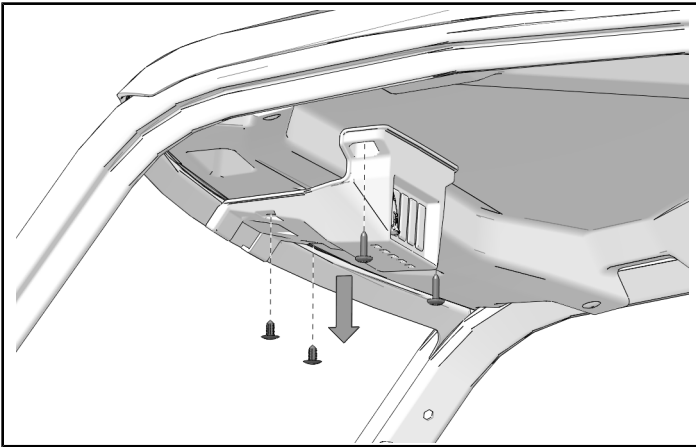
VEHICLE PREPARATION

GENERAL

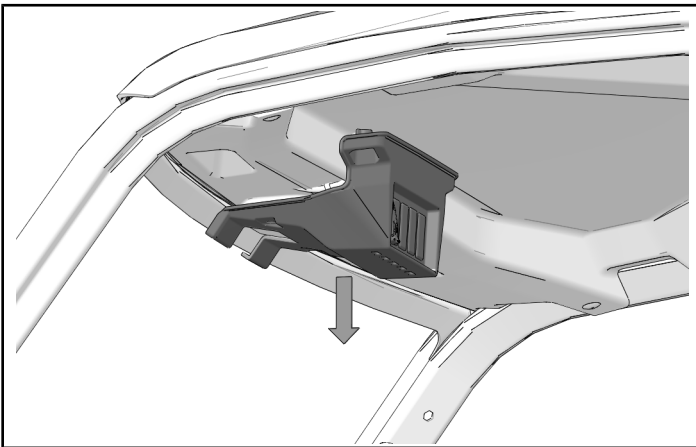
1. Park vehicle on a flat surface.
2. Shift vehicle into PARK.
3. Turn key to OFF position and remove key.

REMOVE SWITCH PANEL (IF EQUIPPED)

1. Remove and keep two push darts and two screws.

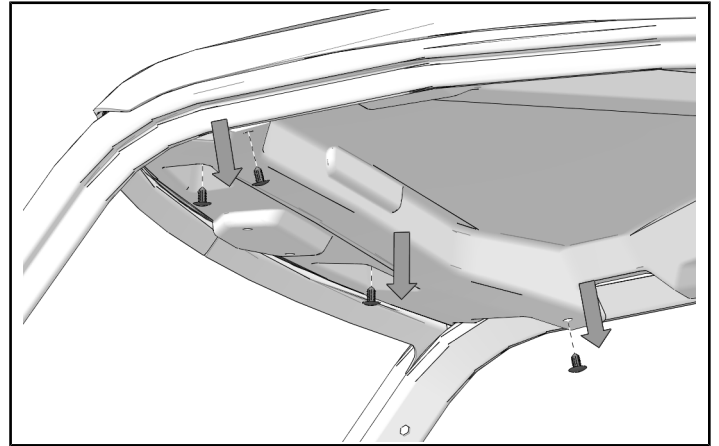


2. Disconnect wire harnesses from back of switches. Remove and keep switch panel.

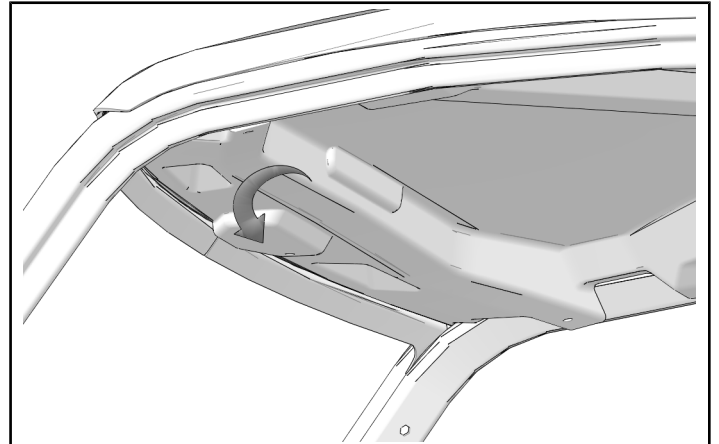


ACCESSORY INSTALLATION

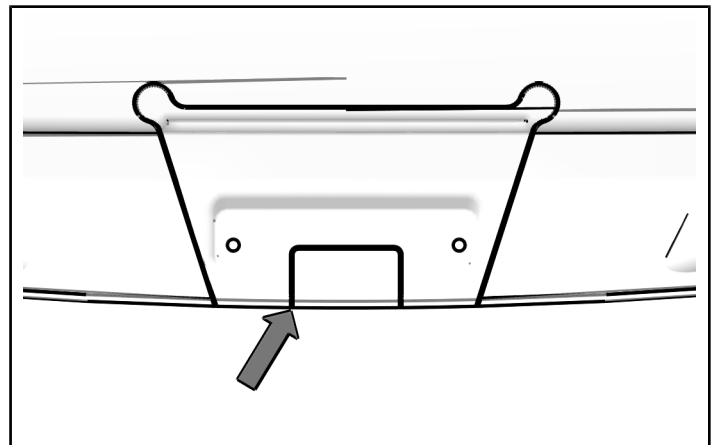
1. Remove and discard front four push darts from roof liner.



2. Pull down front of roof liner.



3. Locate rear view mirror trim line on top surface of roof liner. Cut along line to trim roof liner.



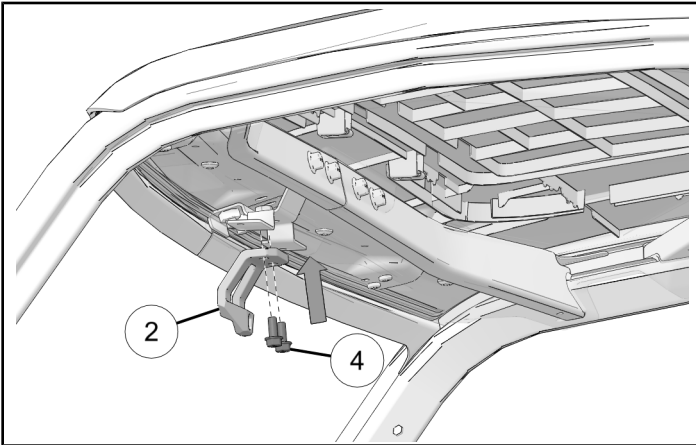
4. Install mount ② and two screws ④. Torque screws to specification.

TORQUE

Screws ④:
16 ft-lbs (22 N·m)

NOTICE

Roof liner hidden for clarity.



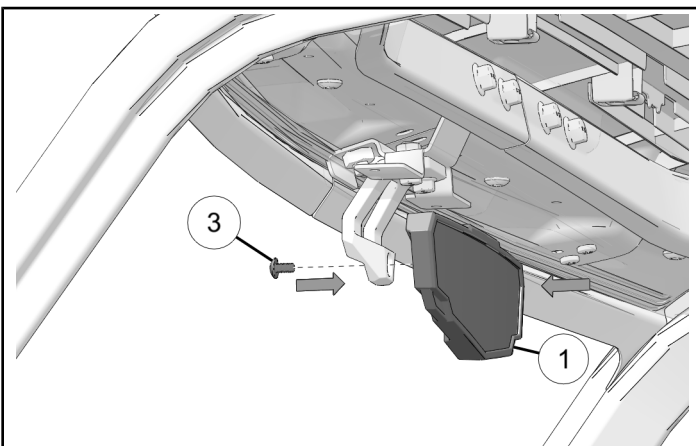
5. Assemble mirror ① and screw ③ to mount. Torque screw ③ to specification.

TORQUE

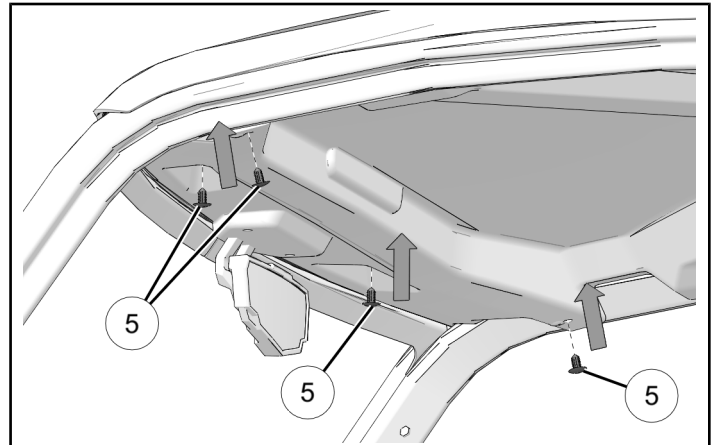
Screw ③:
89 in-lbs (10 N·m)

NOTICE

Roof liner hidden for clarity.



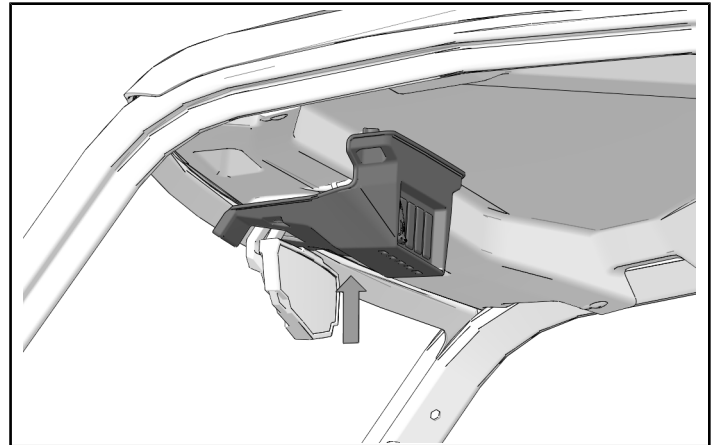
6. Install four push darts ⑤ to attach front of liner to roof.



VEHICLE REASSEMBLY

INSTALL SWITCH PANEL (IF EQUIPPED)

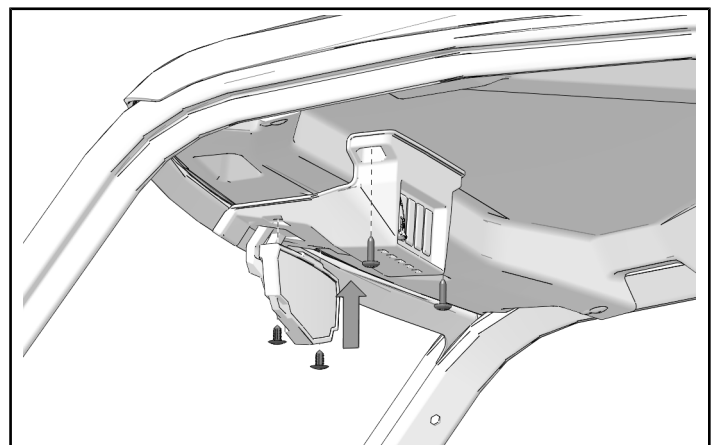
1. Install switch panel in proper location.



2. Install two push darts and two screws. Torque screws to specification.

TORQUE

Switch Panel Screws:
31 in-lbs (3.5 N·m)



INSTRUCTION FEEDBACK FORM

A feedback form has been created for the installer to provide any comments, questions or concerns about the installation instructions. The form is viewable on mobile devices by scanning the QR Code® or by clicking [HERE](#) if viewing on a PC.

