

PLOW CONTROL KIT



P/N 2889162

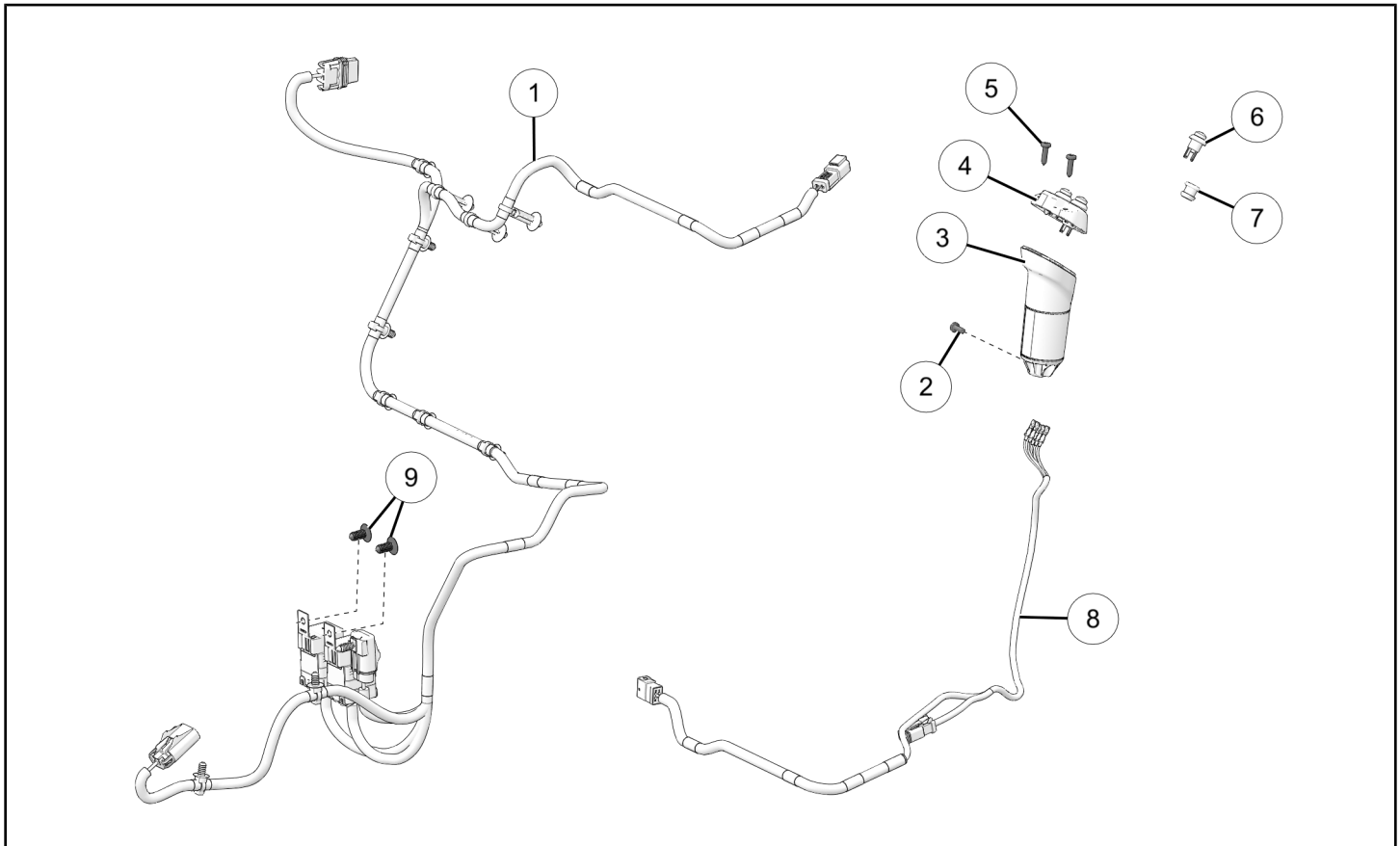
BEFORE YOU BEGIN

Read these instructions and check to be sure all parts and tools are accounted for. Please retain these installation instructions for future reference and parts ordering information.

APPLICATION

Verify accessory fitment at www.polaris.com.

KIT CONTENTS



REF	QTY	PART DESCRIPTION	P/N AVAILABLE SEPARATELY
1	1	Harness–Plow Control	2415963
2	1	Screw–Torx® Pan Head, #10 x 24 x 1/2 in	7512024
3	1	Handle–Plow Control	n/a
4	1	Top–Plow Control	n/a
5	2	Screw–Torx® Pan Head, Self Threading, #10 x 3/4 in	7512026
6	4	Switch–Plow Control	4017301
7	4	Cap–Plow Control	5455599

REF	QTY	PART DESCRIPTION	P/N AVAILABLE SEPARATELY
8	1	Harness--Shifter Handle	2416076
9	2	Dart--Push	n/a

TOOLS REQUIRED

- Safety Goggles
- Push Dart (Panel Clip) Tool
- Screwdriver Set, Torx®

IMPORTANT

Your Plow Control Kit is exclusively designed for your vehicle. Please read the installation instructions thoroughly before beginning. Installation is easier if the vehicle is clean and free of debris. For your safety, and to ensure a satisfactory installation, perform all installation steps correctly in the sequence shown.

INSTALLATION INSTRUCTIONS

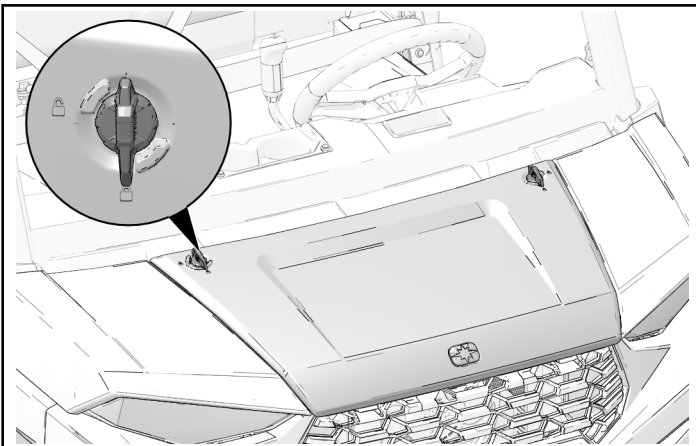
VEHICLE PREPARATION

GENERAL

1. Park vehicle on a flat surface.
2. Shift vehicle into PARK.
3. Turn key to OFF position and remove key.

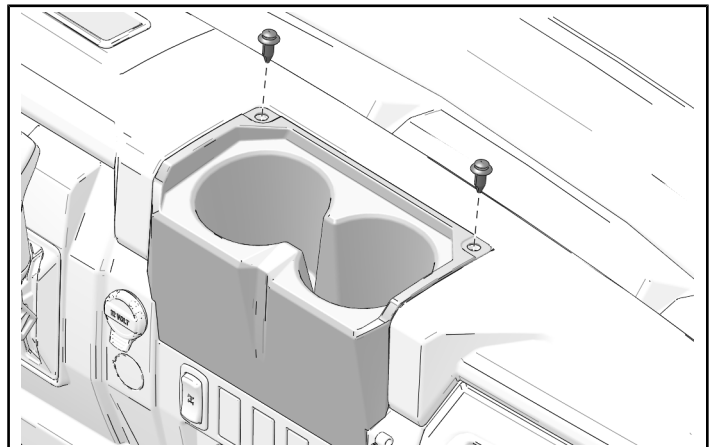
HOOD REMOVAL

1. Turn two quarter-turn fasteners to unlock position to remove hood from vehicle.

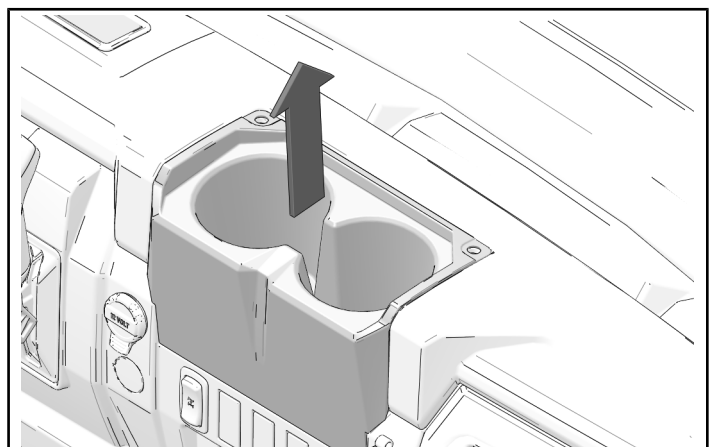


CUP HOLDER REMOVAL

1. Remove and keep two push-pin rivets from cup holder.

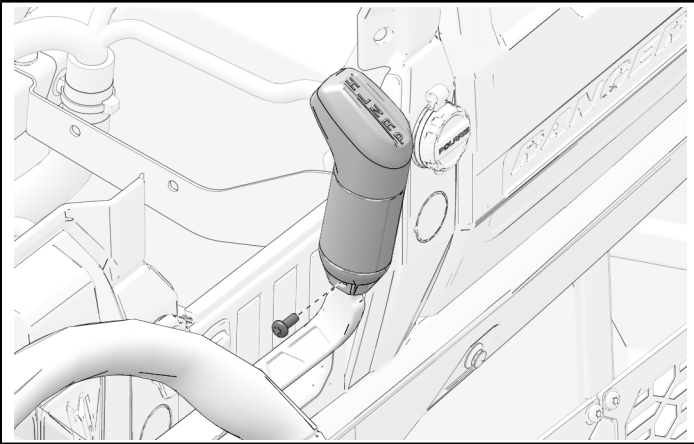


2. Remove cup holder from dashboard.

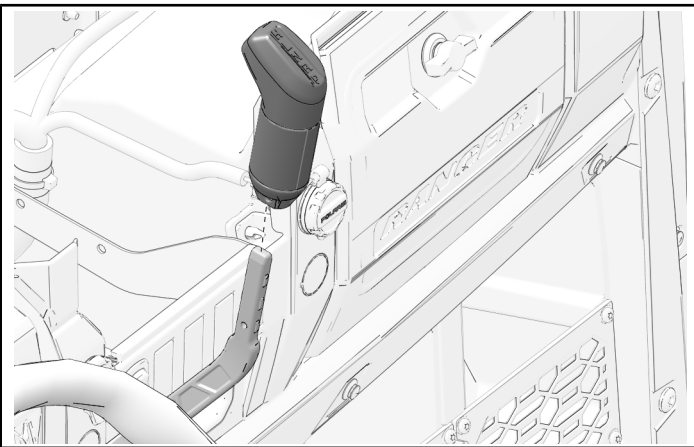


SHIFTER KNOB REMOVAL

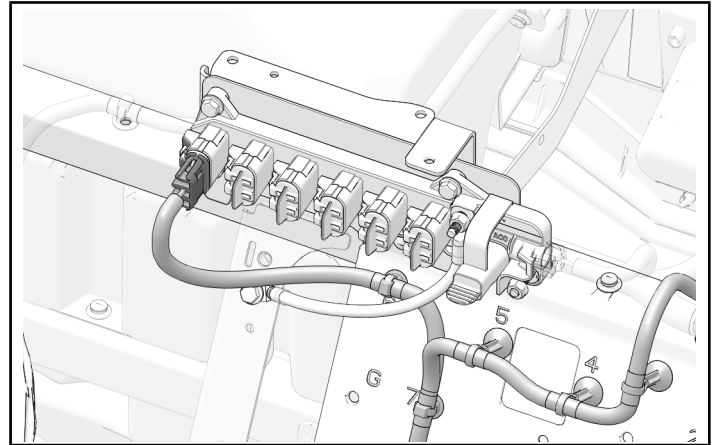
1. Remove on screw from base of shifter knob.



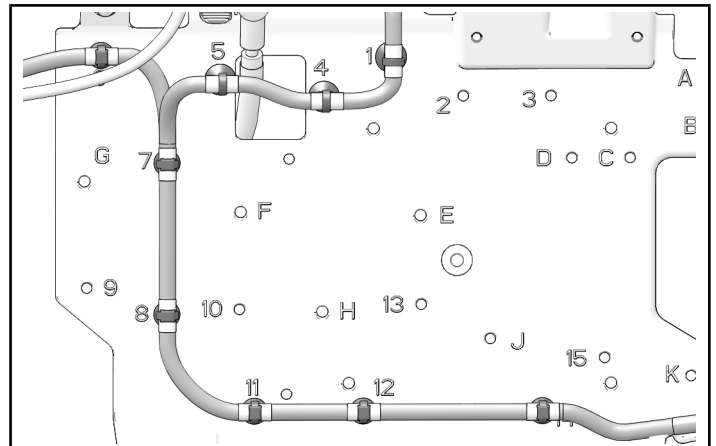
2. Remove shifter knob from shift lever.



2. Remove plug from Polaris Pulse® bar and install power connector.



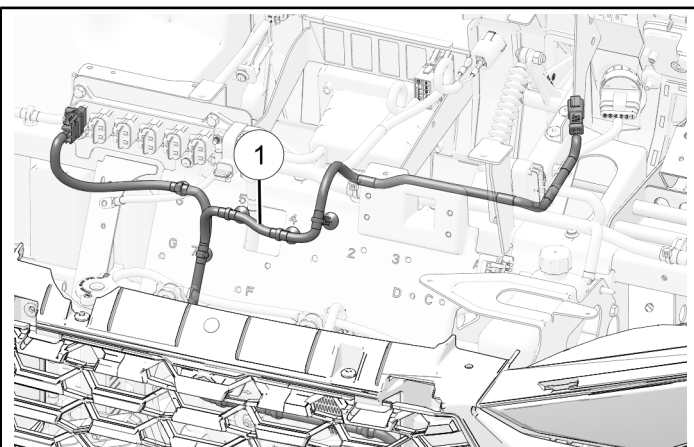
3. Install harness along electrical mount as shown using attached push-darts.



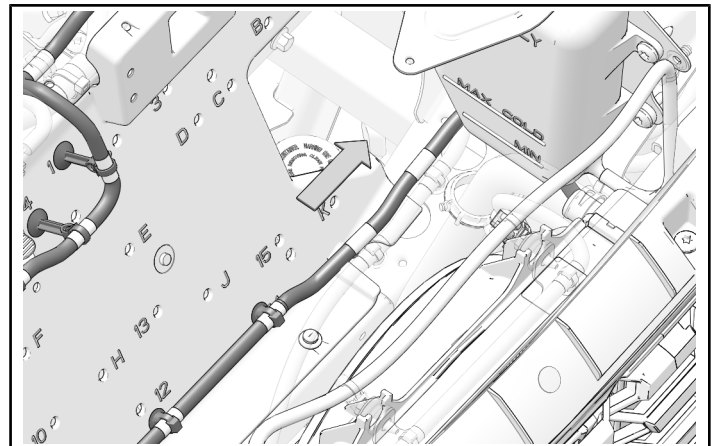
ACCESSORY INSTALLATION

PLOW CONTROL HARNESS INSTALLATION

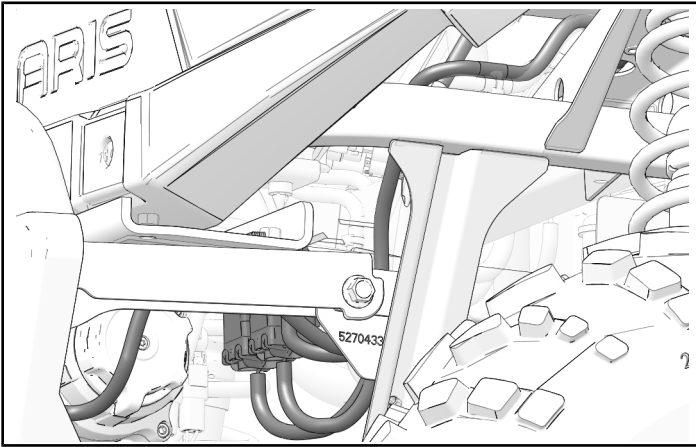
1. Put plow control harness ① in vehicle.



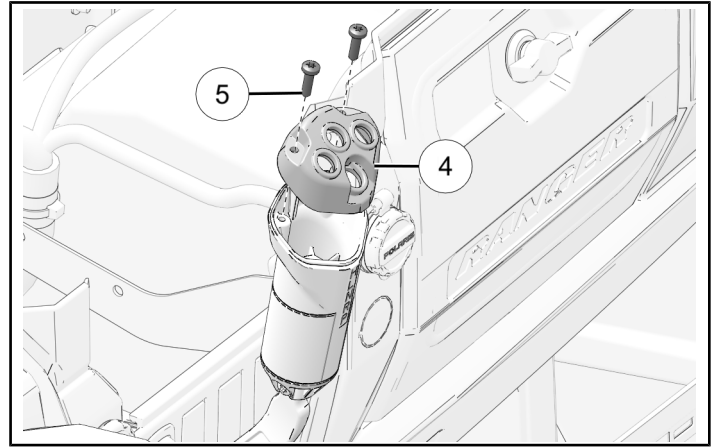
4. Route harness towards wheel well.



5. Route harness along chassis, towards plow system.



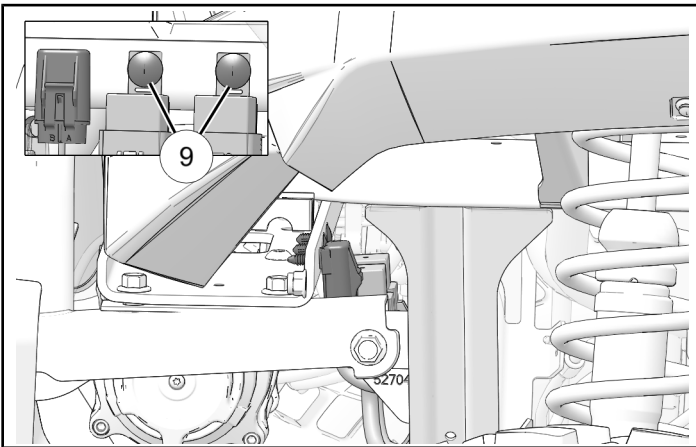
2. Remove and keep two screws (5) and remove plow control top (4) from handle.



6. Install left and right relays to winch mount with push-darts (9). Install tilt circuit breaker to winch mount with attached push-dart.

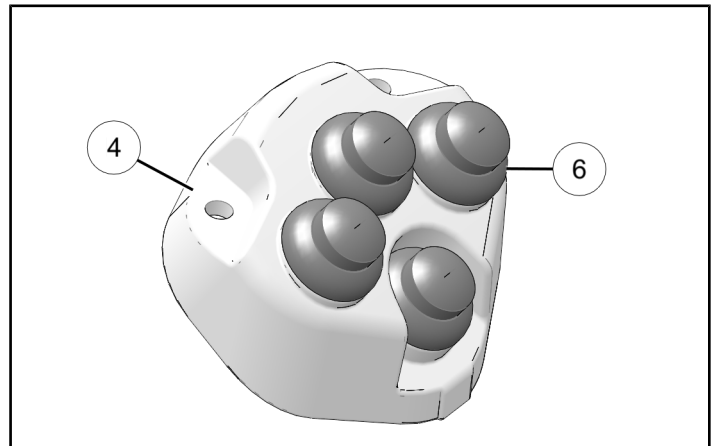
NOTICE

Use cable ties to secure harness away from moving parts.

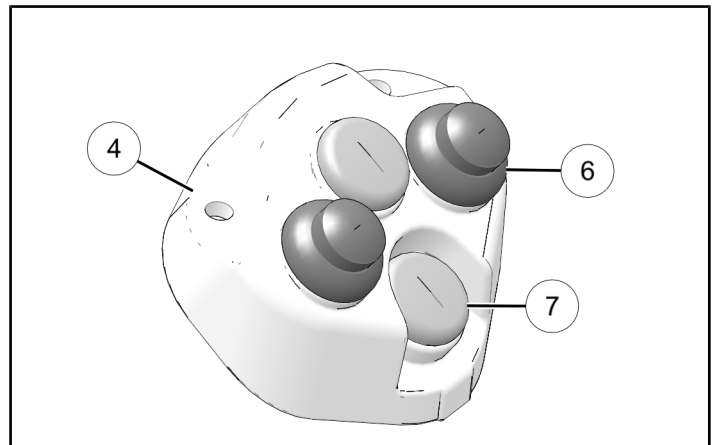


3. Install switches according to your needs:

- For angle and winch lift control, install all four switches (6) into plow control top (4).

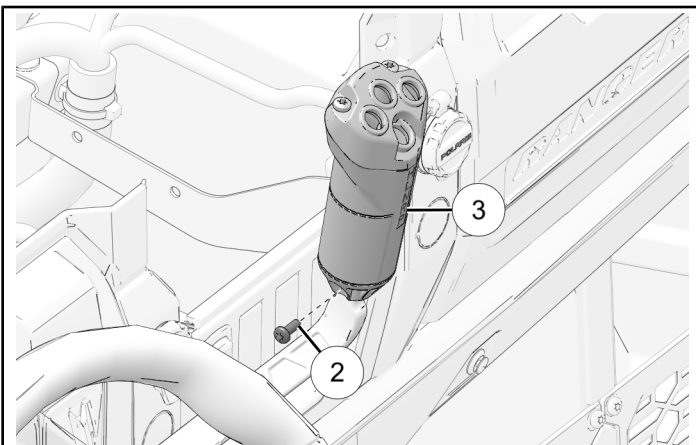


- For angle control only, install two switches (6) into plow control top. Close top and bottom holes with caps (7).



SHIFT HANDLE HARNESS INSTALLATION

1. Put plow control handle (3) onto shift lever and install screw (2). Tighten screw until fully seated.



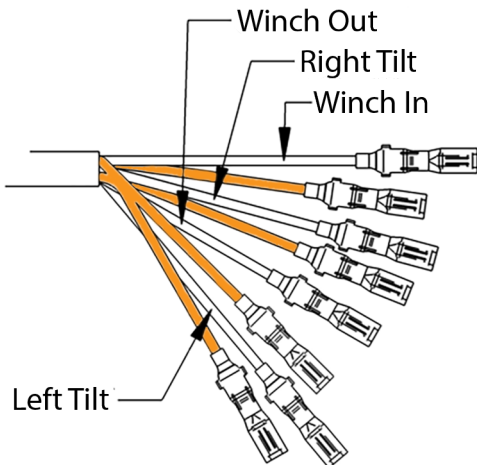
4. Install shifter handle harness ⑧ along bottom of plow handle ③ and connect to plow control switches ⑥ or caps ⑦.

IMPORTANT

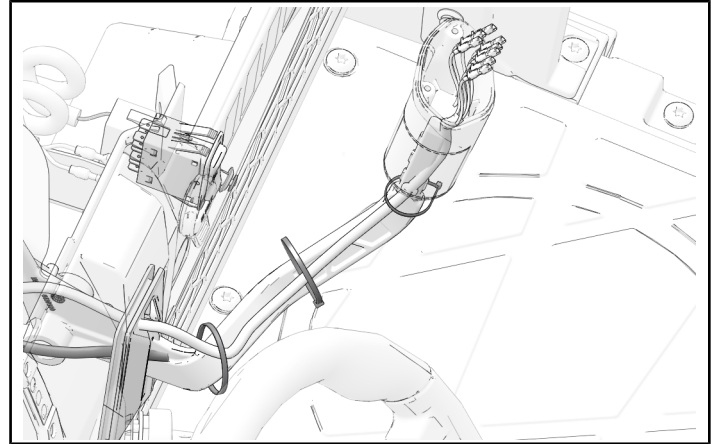
Each button connects to one orange wire and one wire labeled for the direction it goes.

NOTICE

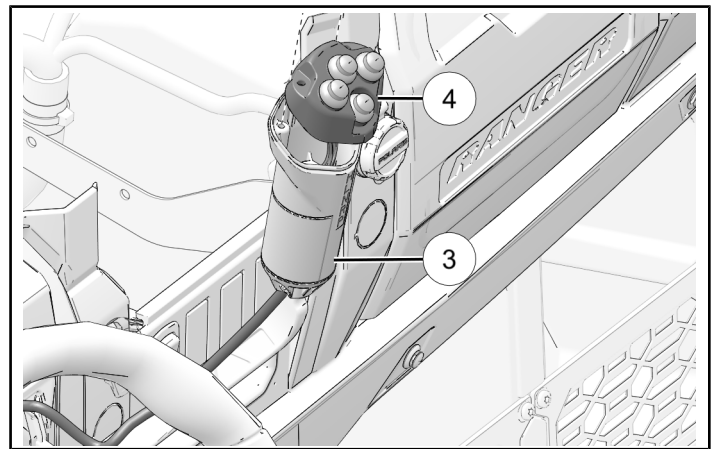
Wires labeled according to function.



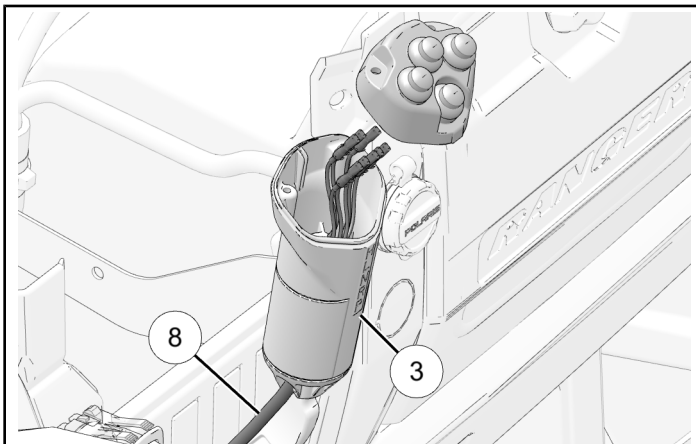
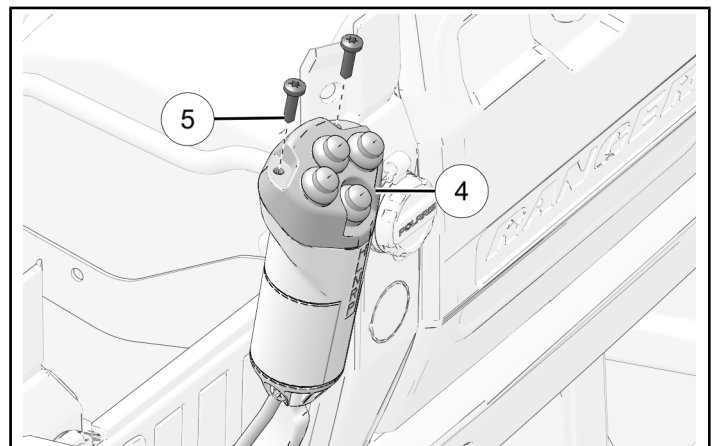
5. Attach harness with three zip ties, one under handle, one half way down handle, and one before harness exits bottom of handle.



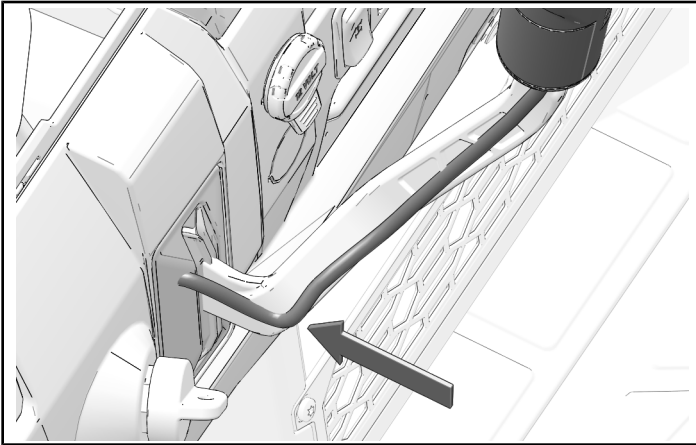
6. Attach plow control top ④ to handle ③.



7. Attach plow control top ④ to handle with screws ⑤. Tighten screws until fully seated.



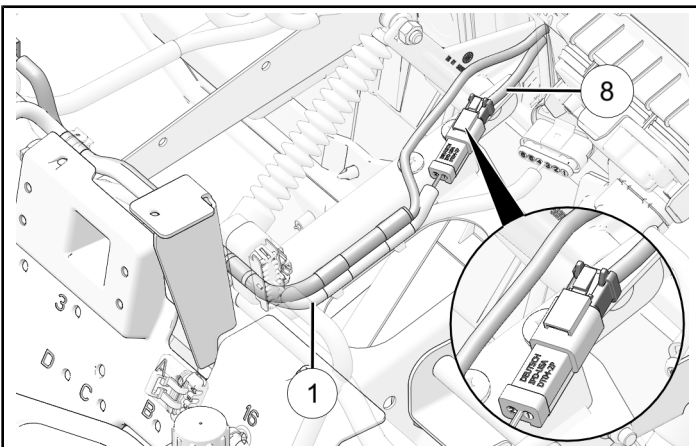
8. Route shifter handle harness through grommet in dashboard.



9. Connect shifter handle harness to plow control harness.

NOTICE

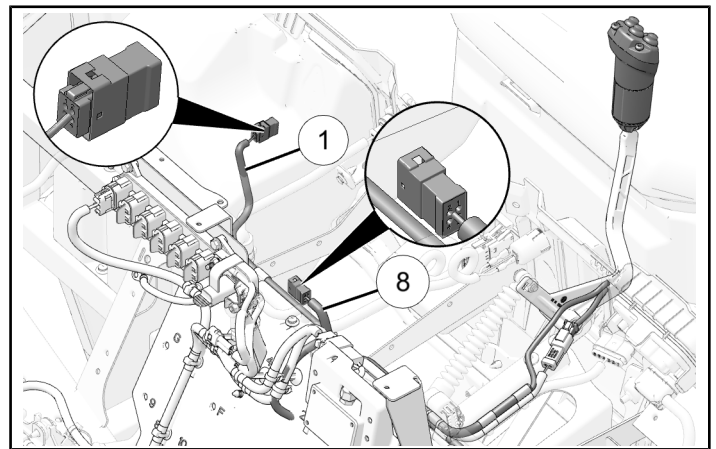
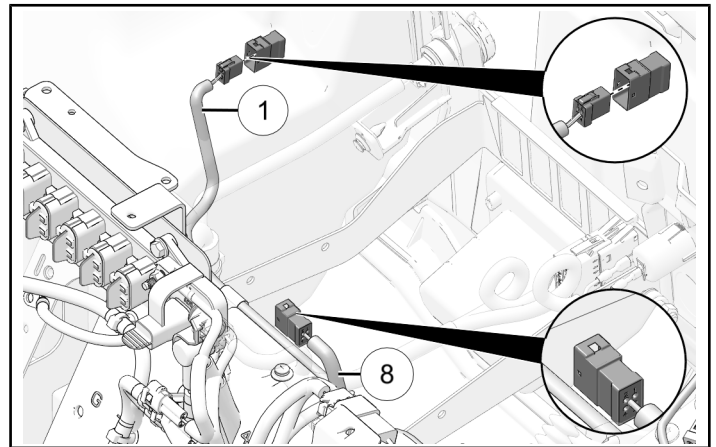
Use cable ties to secure harness away from moving parts.



10. Remove cap from winch splitter connector and connect plow control harness (1) to shift handle harness (8).

IMPORTANT

Actual harness connectors may be different from images shown; installation will be the same.

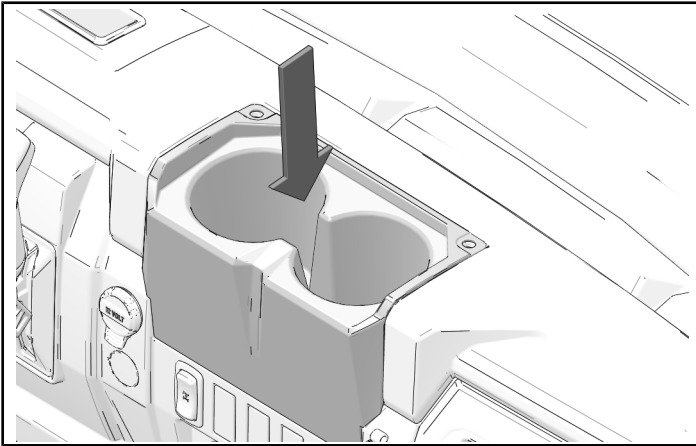


11. Use cable ties to attach excess harness away from moving parts.

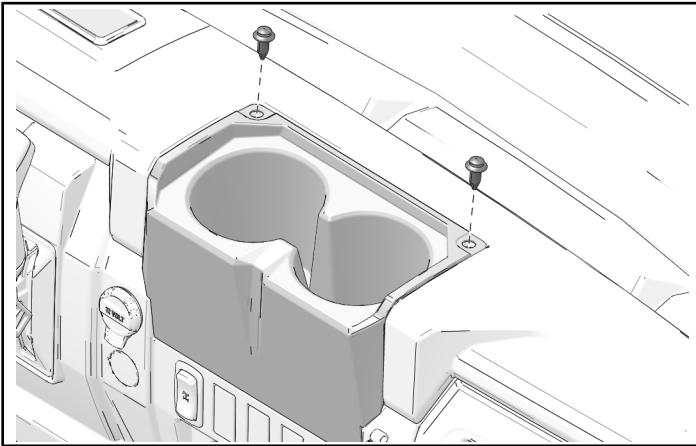
VEHICLE REASSEMBLY

CUP HOLDER INSTALLATION

1. Put cup holder in vehicle.

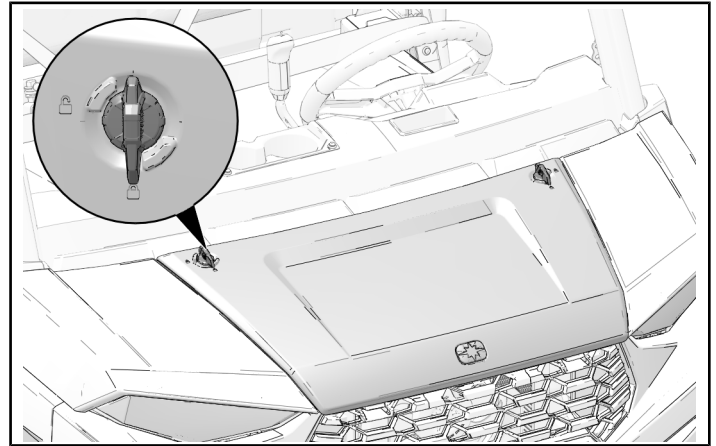


2. Install cup holder with two retained push-pin rivets.



HOOD INSTALLATION

1. Align hood with vehicle and turn two quarter-turn fasteners to lock position to install hood.



INSTRUCTION FEEDBACK FORM

A feedback form has been created for the installer to provide any comments, questions or concerns about the installation instructions. The form is viewable on mobile devices by scanning the QR code or by clicking [HERE](#) if viewing on a PC.

