

LOCK & RIDE® COOLER KIT



P/N 2889612

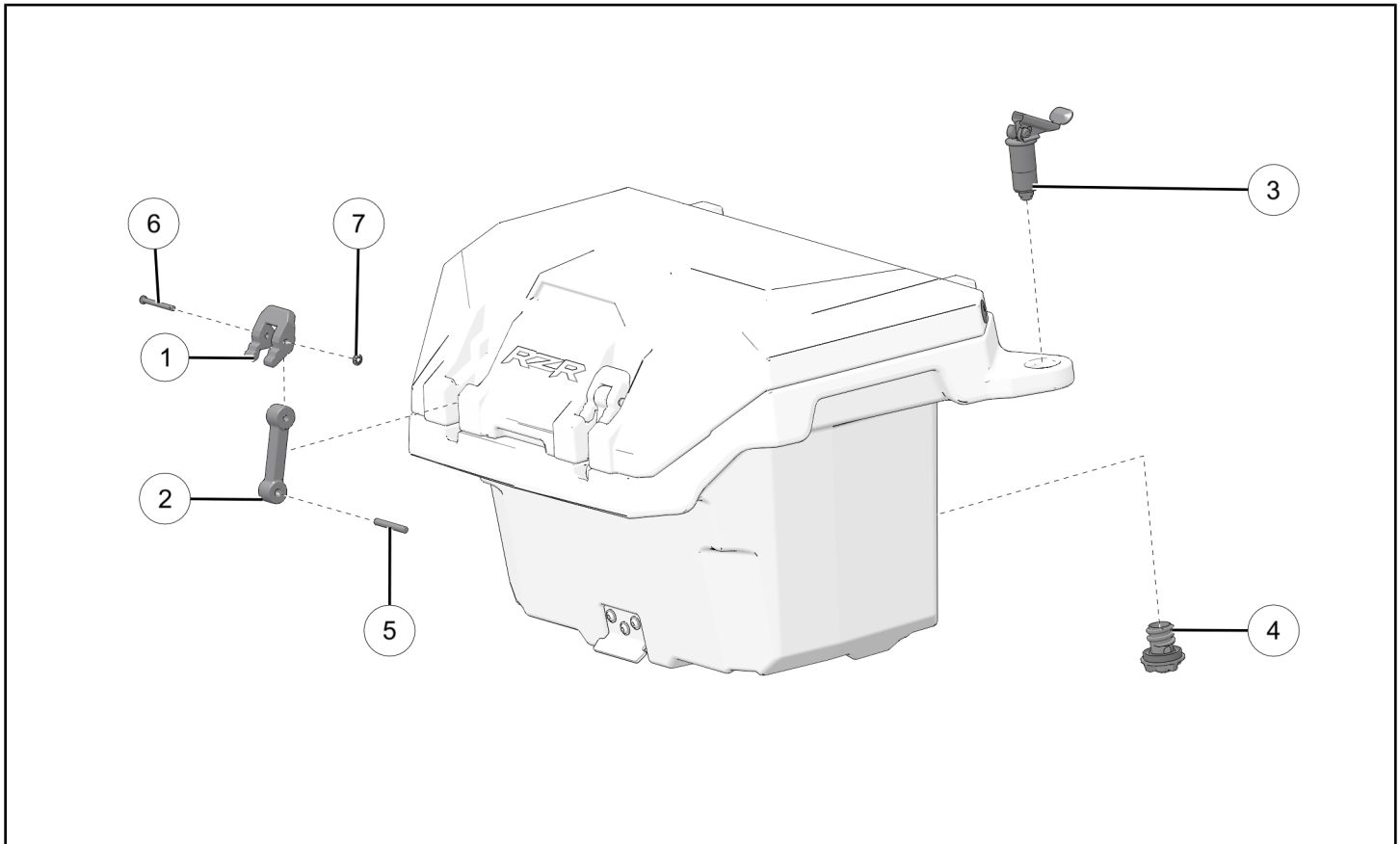
BEFORE YOU BEGIN

Read these instructions and check to be sure all parts and tools are accounted for. Please retain these installation instructions for future reference and parts ordering information.

APPLICATION

Verify accessory fitment at www.polaris.com.

KIT CONTENTS



REF	QTY	PART DESCRIPTION	P/N AVAILABLE SEPARATELY	AVAILABLE SERVICE KIT
1	2	Latch Lever	5455631	n/a
2	2	Flex Latch	n/a	2208371
3	2	Lock & Ride® Anchor	2637796	n/a
4	1	Gasket Plug	2636093	n/a
5	2	Pin, 1/4 in x 2	n/a	2208371
6	2	Pin-Clevis, 3/16 in	n/a	2208371
7	2	Push-On Retaining Ring, 3/16 in	n/a	2208371

TOOLS REQUIRED

- Wrench, Adjustable, 10 in

IMPORTANT

Your Lock & Ride® Cooler Kit is exclusively designed for your vehicle. Please read the installation instructions thoroughly before beginning. Installation is easier if the vehicle is clean and free of debris. For your safety, and to ensure a satisfactory installation, perform all installation steps correctly in the sequence shown.

INSTALLATION INSTRUCTIONS

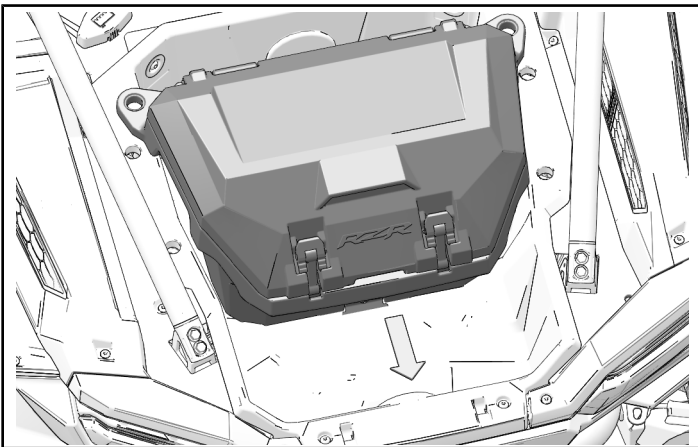
VEHICLE PREPARATION

GENERAL

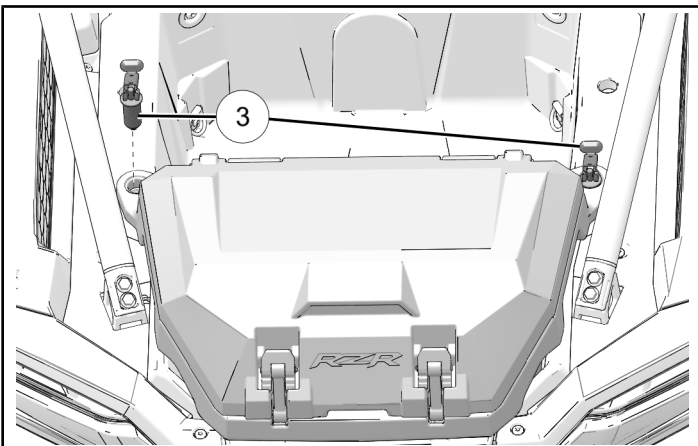
1. Park vehicle on a flat surface.
2. Shift vehicle into PARK.
3. Turn key to OFF position and remove key.

ACCESSORY INSTALLATION

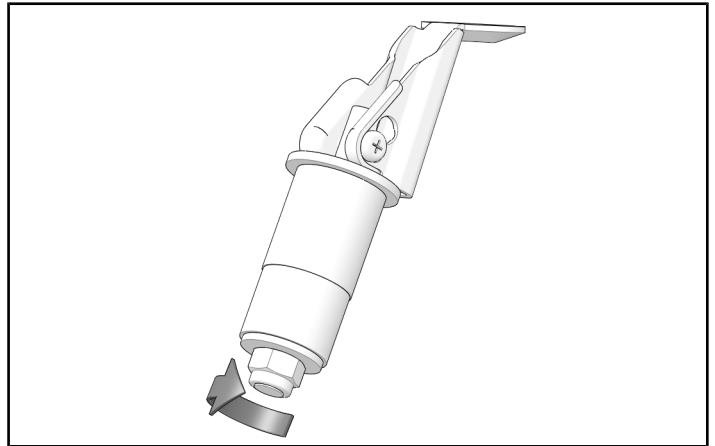
1. Place cooler in rear-most section of cargo box. Move front of cooler under lip of cargo box and make sure Lock & Ride® cooler holes are aligned with mounting holes in rear box.



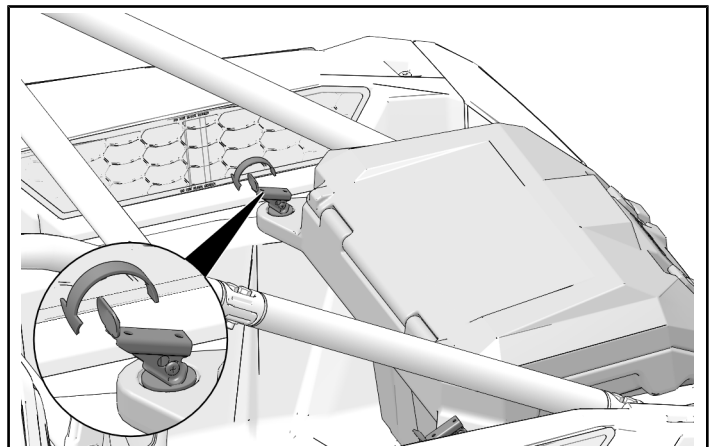
2. Install two Lock & Ride® anchors (3). Make sure mounting holes in vehicle and cooler are aligned.



3. Lock & Ride® assemblies may need adjustment. Tighten or loosen bottom nut depending on fitment.



4. Engage Lock & Ride® clamp to secure cooler.



INSTRUCTION FEEDBACK FORM

A feedback form has been created for the installer to provide any comments, questions or concerns about the installation instructions. The form is viewable on mobile devices by scanning the QR code or by clicking [HERE](#) if viewing on a PC.

