

FORWARD LOCK & RIDE® STORAGE BOX KIT



P/N 2889611

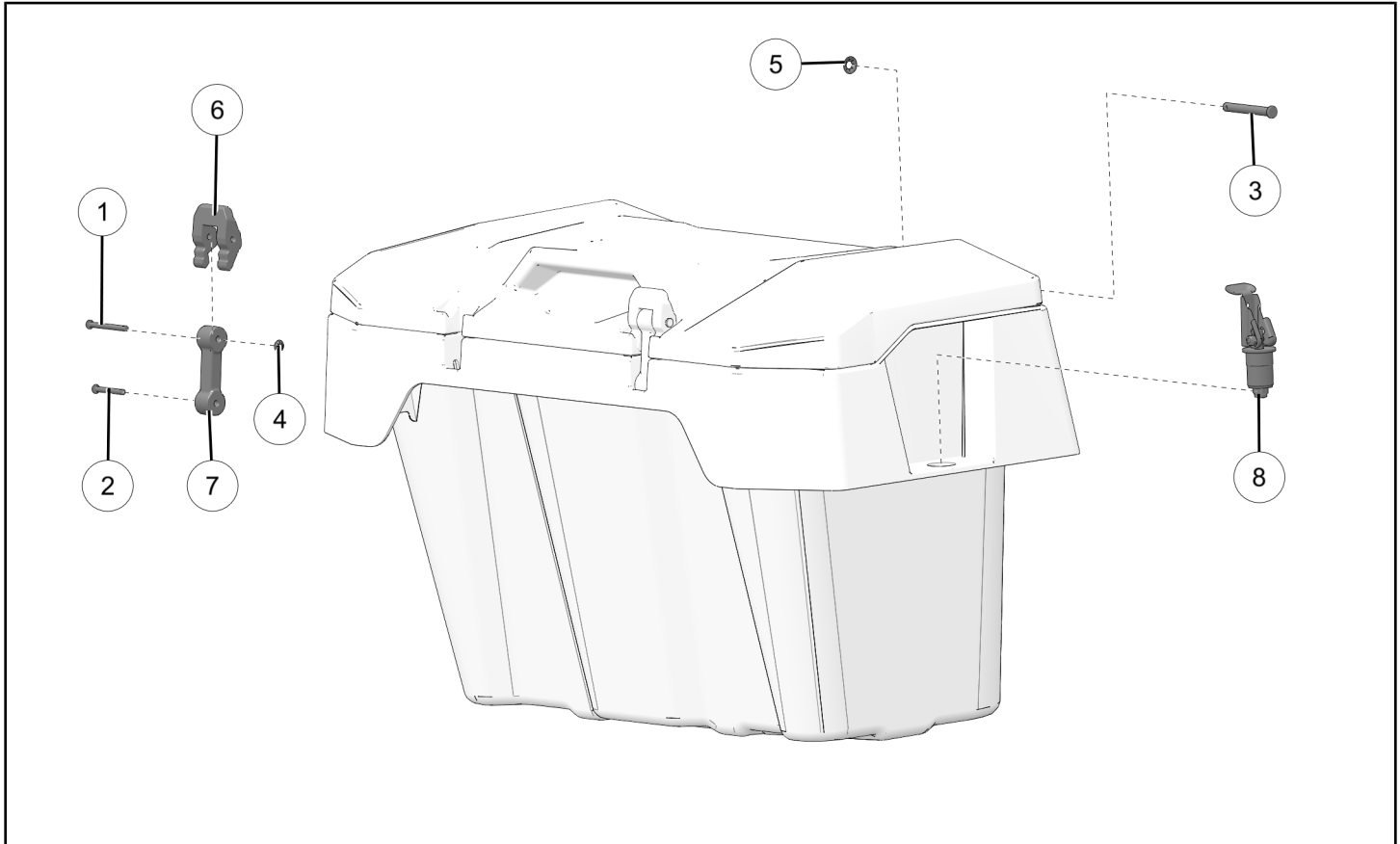
BEFORE YOU BEGIN

Read these instructions and check to be sure all parts and tools are accounted for. Please retain these installation instructions for future reference and parts ordering information.

APPLICATION

Verify accessory fitment at www.polaris.com.

KIT CONTENTS



REF	QTY	PART DESCRIPTION	P/N AVAILABLE SEPARATELY	AVAILABLE SERVICE KIT
1	2	Clevis Pin, (19 x 1.81 mm)	n/a	2209420
2	2	Clevis Pin, (19 x 1.31 mm)	n/a	2209420
3	2	Clevis Pin, . (31 x 2.25 mm)	n/a	2209420
4	4	Push Nut, 3/16 in	n/a	2209420
5	2	Push Nut, 5/16 in	n/a	2209420
6	2	Latch Lever	n/a	2209420
7	2	Flex Latch	n/a	2209420
8	2	Lock & Ride® Anchor	2876420	n/a

TOOLS REQUIRED

- Wrench, Adjustable, 10 in

IMPORTANT

Your Forward Lock & Ride® Storage Box Kit is exclusively designed for your vehicle. Please read the installation instructions thoroughly before beginning. Installation is easier if the vehicle is clean and free of debris. For your safety, and to ensure a satisfactory installation, perform all installation steps correctly in the sequence shown.

INSTALLATION INSTRUCTIONS

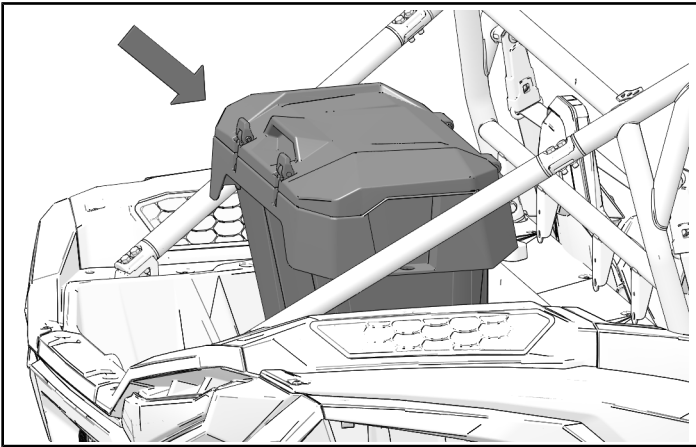
VEHICLE PREPARATION

GENERAL

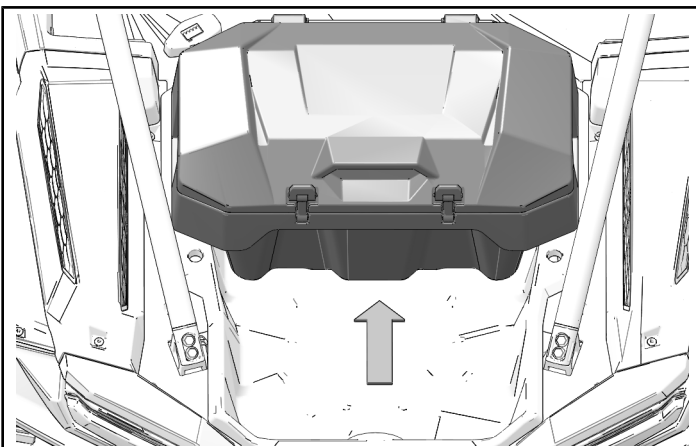
1. Park vehicle on a flat surface.
2. Shift vehicle into PARK.
3. Turn key to OFF position and remove key.

ACCESSORY INSTALLATION

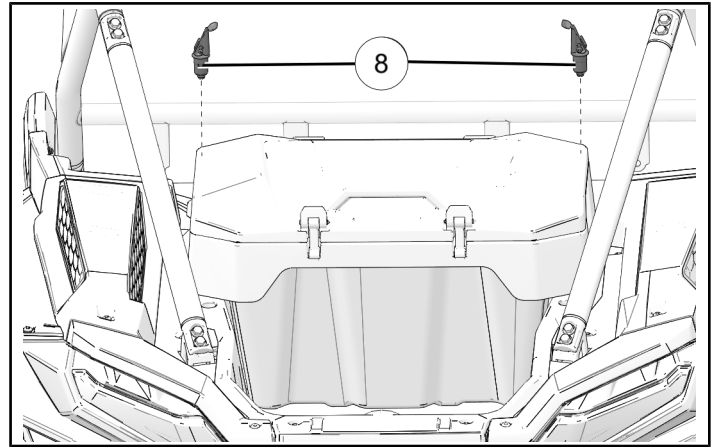
1. Place storage box in forward-most section of cargo box.



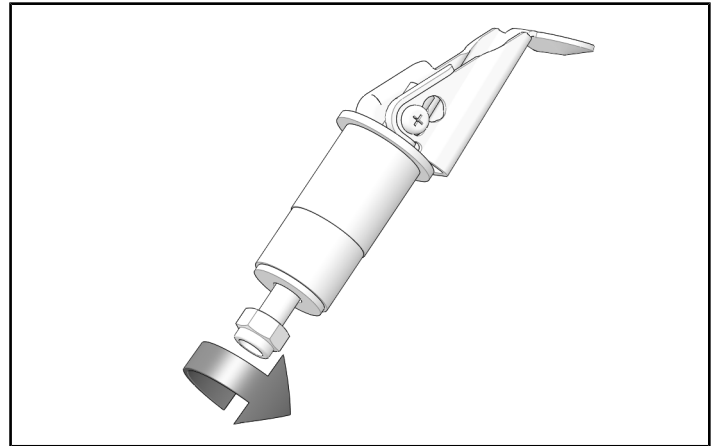
2. Move front of storage box to align Lock & Ride® holes in storage box with those in cargo box.



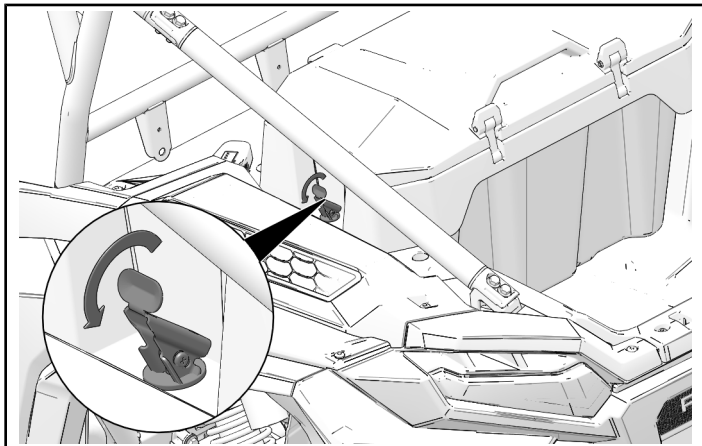
3. Install two Lock & Ride® assemblies (8) in two aligned mounting holes.



4. Lock & Ride® assemblies may need adjustment. Tighten or loosen bottom nuts depending on fitment.



5. Make sure Lock & Ride® assemblies are fully seated before closing top lever and securing storage box.



INSTRUCTION FEEDBACK FORM

A feedback form has been created for the installer to provide any comments, questions or concerns about the installation instructions. The form is viewable on mobile devices by scanning the QR code or by clicking [HERE](#) if viewing on a PC.

