

FULL-SIZE RIDE COMMAND+ PLUG-IN MOUNT KIT



P/N 2889602

BEFORE YOU BEGIN

Read these instructions and check to be sure all parts and tools are accounted for. Please retain these installation instructions for future reference and parts ordering information.

APPLICATION

Verify accessory fitment at www.polaris.com.

IMPORTANT

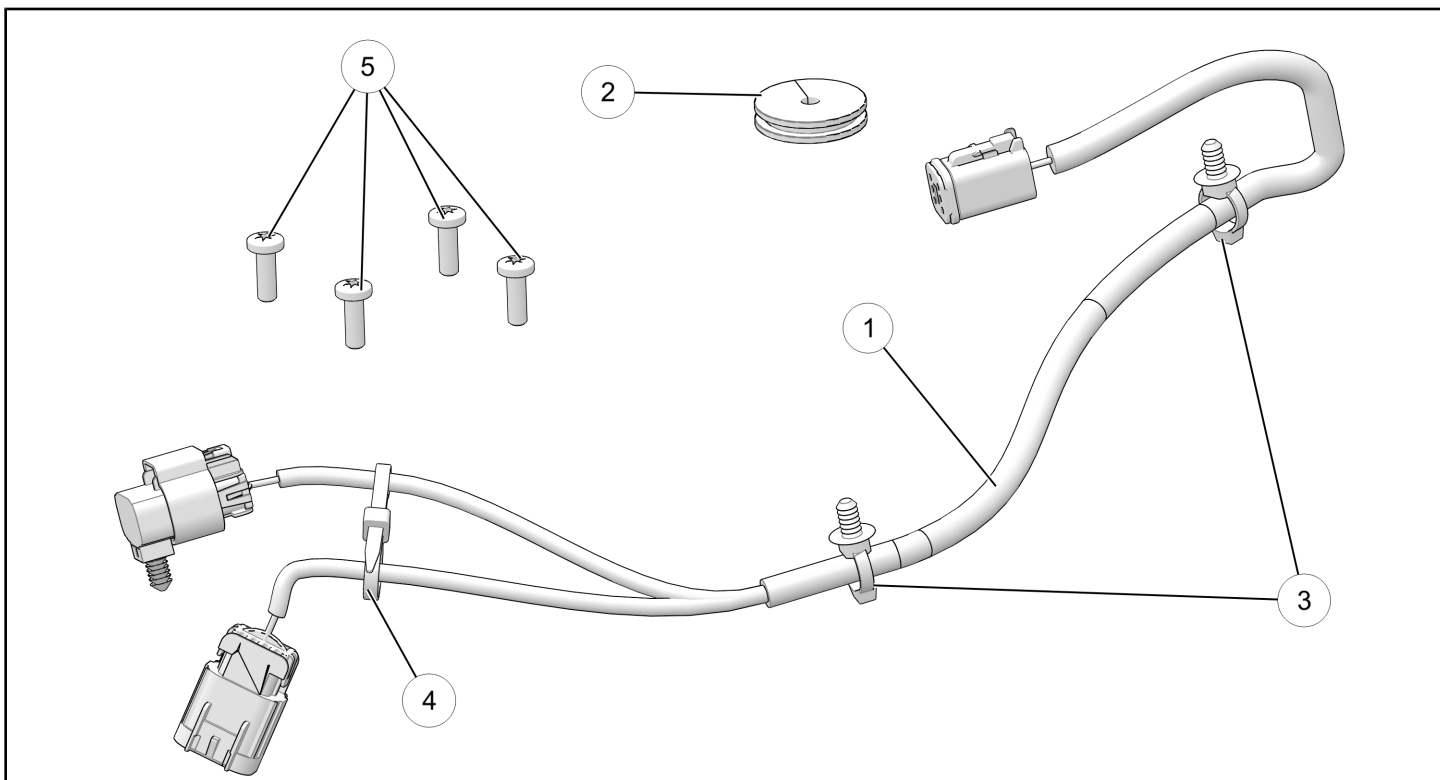
Kit is not compatible with *Ride Command® Mount Kit*, P/N 2889309.

REQUIRED SOLD SEPARATELY

Only parts for installation of the Full-Size RIDE COMMAND+ Plug-In Mount Kit are included. For complete installation, the following additional kit is required (sold separately):

- 250K RIDE COMMAND+ Plug-In Kit, P/N 2890038
- Polaris® application is required (available in Android™ and Apple® app stores. Search “Polaris®”).

KIT CONTENTS

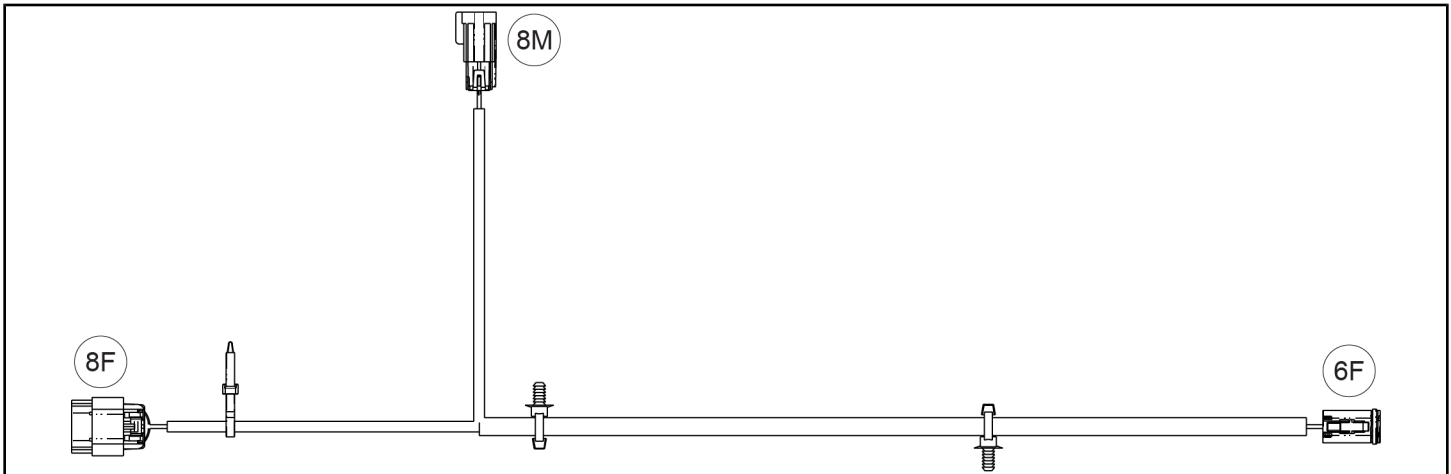


REF	QTY	PART DESCRIPTION	P/N AVAILABLE SEPARATELY
1	1	Harness, RIDE COMMAND+ Plug-In	2416347
2	1	Grommet, 0.25 X 1 .25 X 0.13 mm, Groove	5418308
3	2	Clip Push Pin, Retaining	7081496

REF	QTY	PART DESCRIPTION	P/N AVAILABLE SEPARATELY
4	1	Cable Tie, Dual Loop	7081916
5	4	Screw - Torx® Pan Head #14 X 3/4 in	7519274

HARNESS DETAIL

RIDE COMMAND+ PLUG-IN HARNESS ①



REF	PART DESCRIPTION	CONNECTS TO
8F	Chassis Connector	Main Chassis Harness
8M	Diagnostic Connector	Diagnostic Port
6F	Plug-In Connector	RIDE COMMAND+ Plug-In

Example: 16F = 16 pin, Female / 16M = 16 pin, Male (Male terminal fits inside female terminal)

TOOLS REQUIRED

- Safety Glasses
- Drill
- Drill Bit:
 - Bit Size: 1/4 in (6 mm)
- Hole Saw:
 - Bit Size: 1 1/4 in (32 mm)
- Screwdriver Set, Torx®

IMPORTANT

Your Full-Size RIDE COMMAND+ Plug-In Mount Kit is exclusively designed for your vehicle. Please read the installation instructions thoroughly before beginning. Installation is easier if the vehicle is clean and free of debris. For your safety, and to ensure a satisfactory installation, perform all installation steps correctly in the sequence shown.

INSTALLATION INSTRUCTIONS

VEHICLE PREPARATION

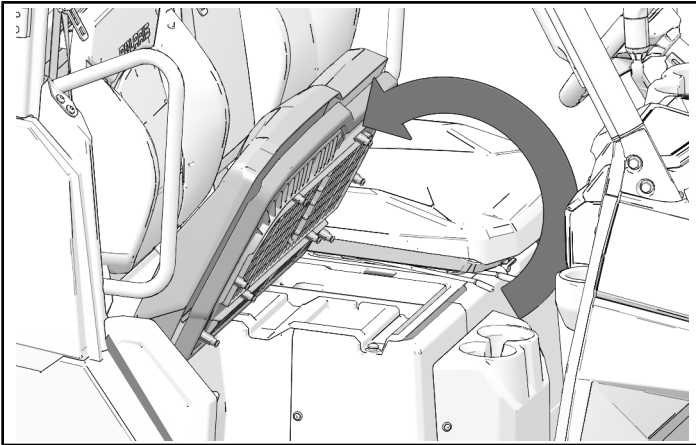
GENERAL

1. Park vehicle on flat surface.
2. Shift vehicle into **PARK**.
3. Turn ignition switch to **OFF** position and remove key.

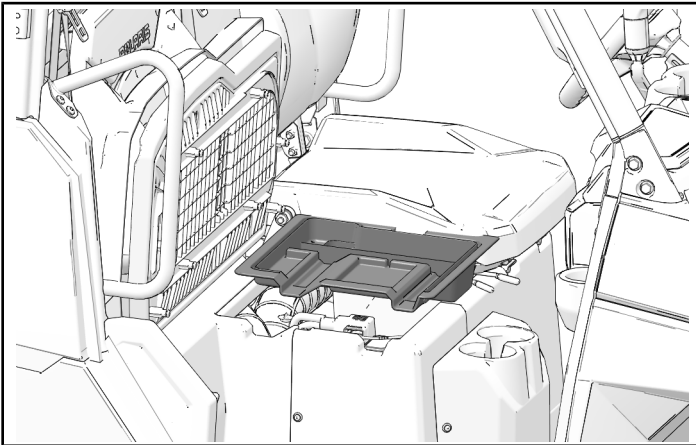
UNDERSEAT STORAGE BIN ACCESS AND REMOVAL

CREW WITHOUT SEAT SLIDER

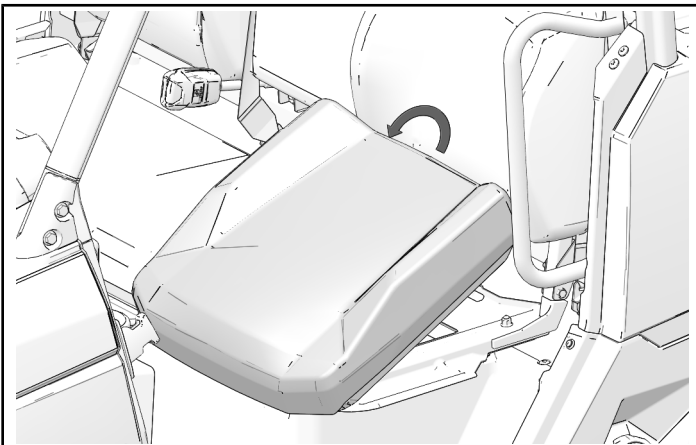
1. Lift up passenger seat by the edge and pull up to reveal under storage bin.



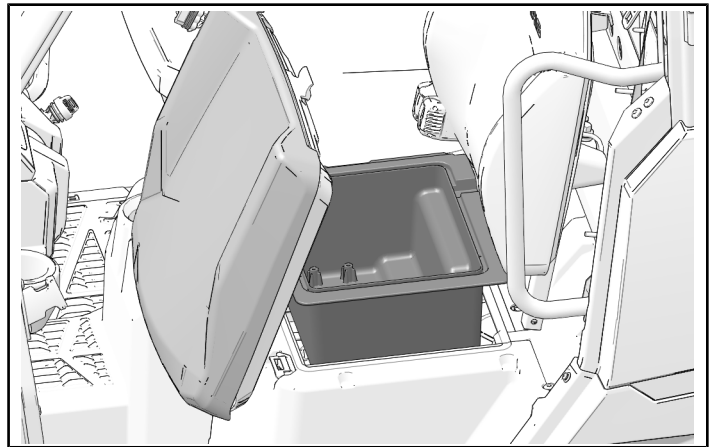
2. Remove and keep under storage bin.



3. Lift second seat up by pulling up on the latch behind the second seat.

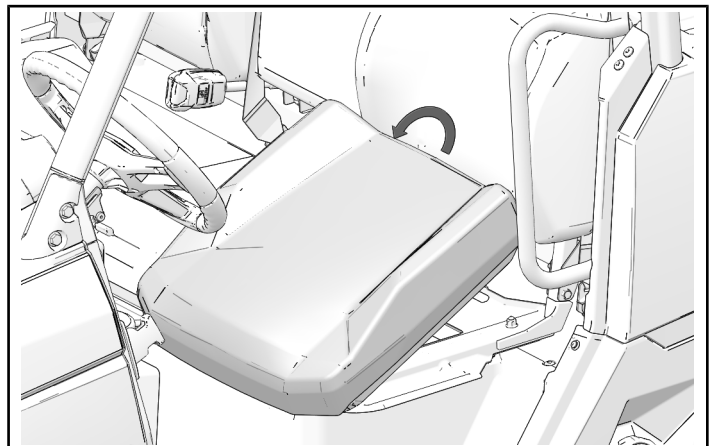


4. Remove and keep second under storage bin.

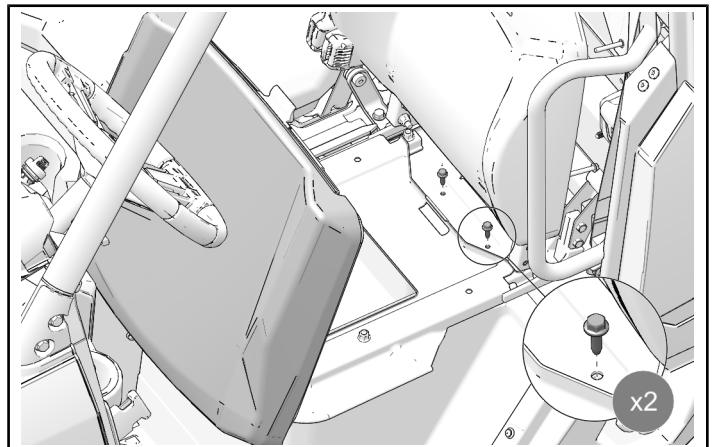


3 SEAT WITH SEAT SLIDER

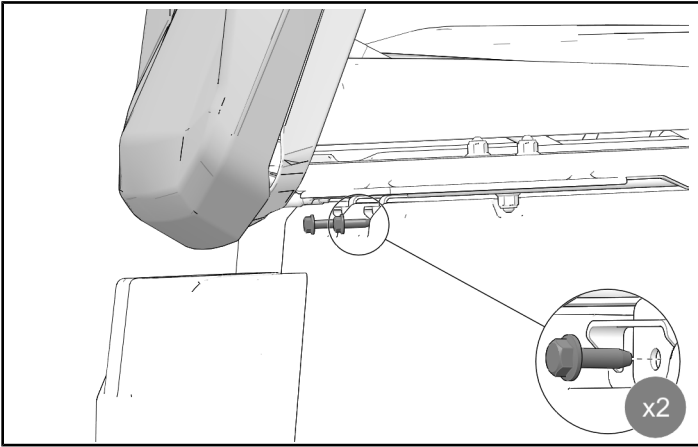
1. Lift seat up



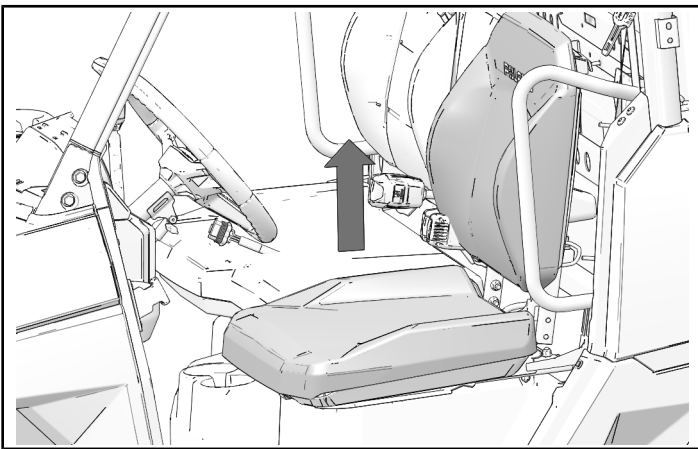
2. Slide seat forward to access underseat screws. Remove and keep two screws.



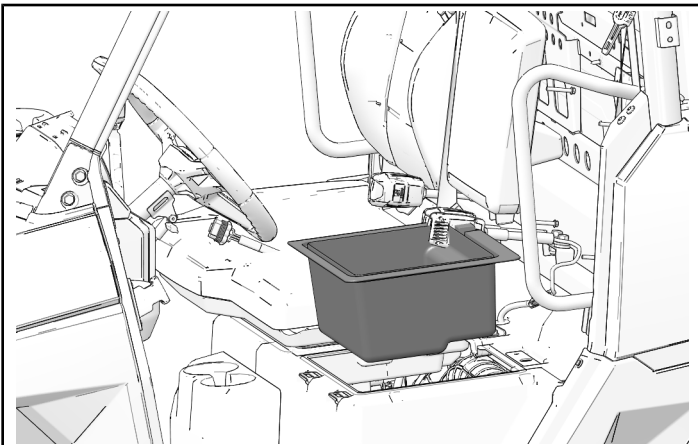
- In front of the seat, locate two screws. Remove and keep two screws.



- Lift up seat by the edges to remove.



- Remove and keep second under storage bin.



ACCESSORY INSTALLATION

STORAGE BIN PREPARATION

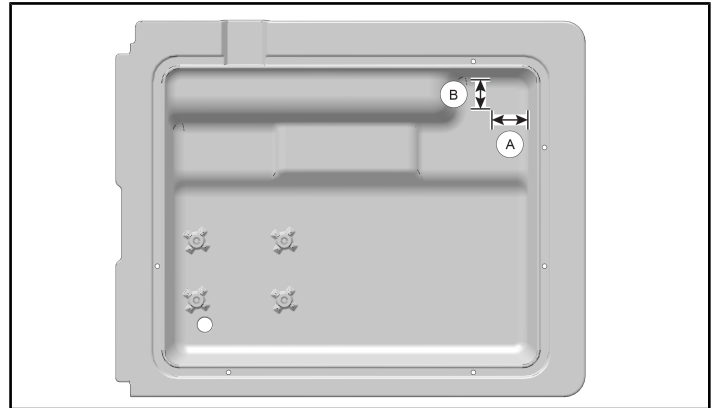
- Measure hole from the wall to the center of the hole. Mark drill point.

MEASUREMENT

Measurement (A):
1.40 in (35 mm)

MEASUREMENT

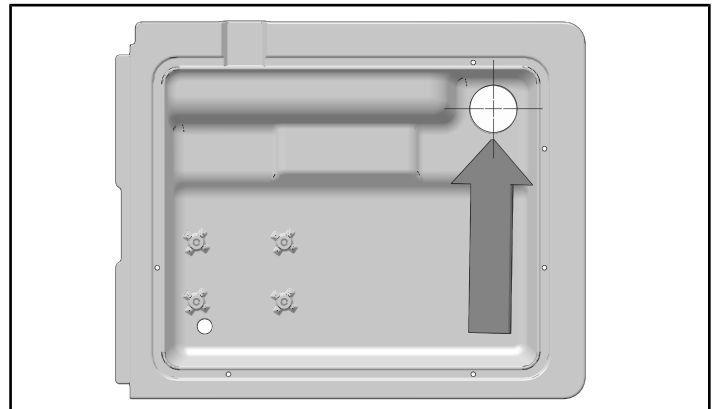
Measurement (B):
2 in (50 mm)



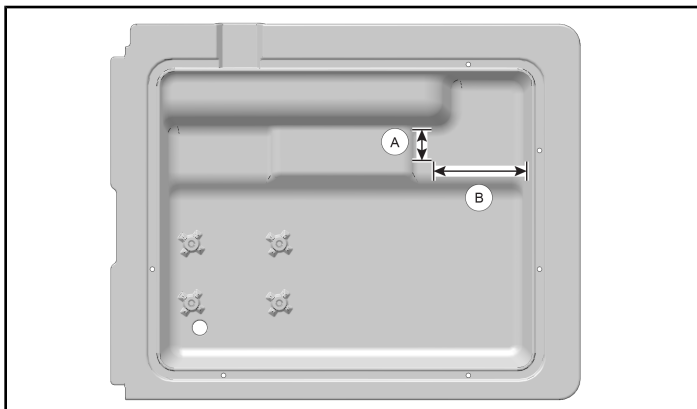
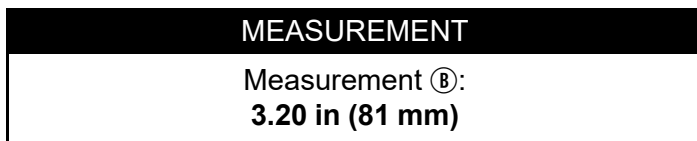
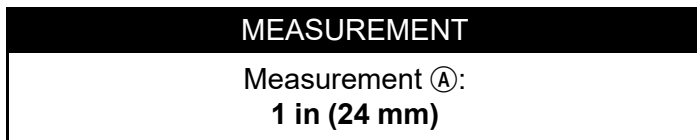
- Drill hole in bottom of storage bin.

MEASUREMENT

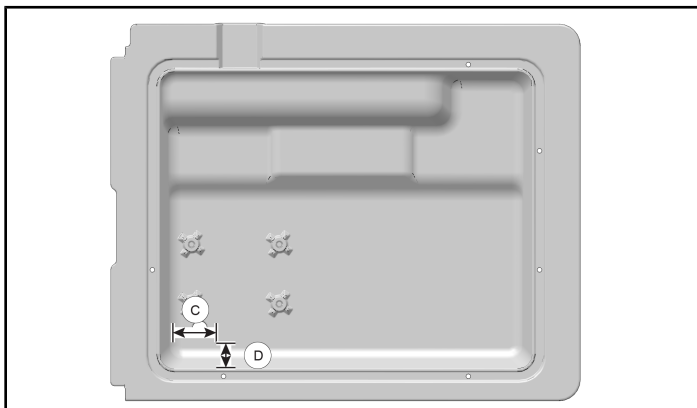
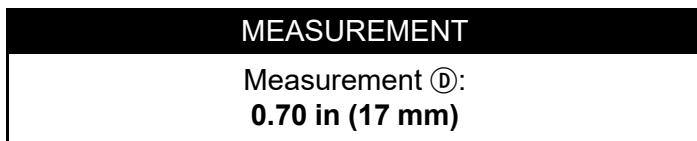
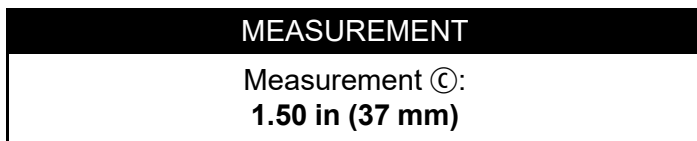
Measurement:
1 1/4 in (32 mm)



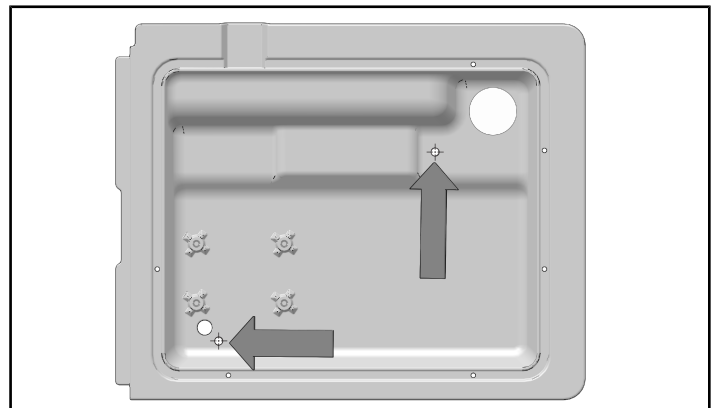
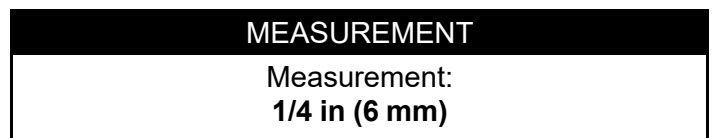
3. Measure from the wall to the center of the first hole. Mark drill point.



4. Measure from the wall to the center of the second hole. Mark drill point.

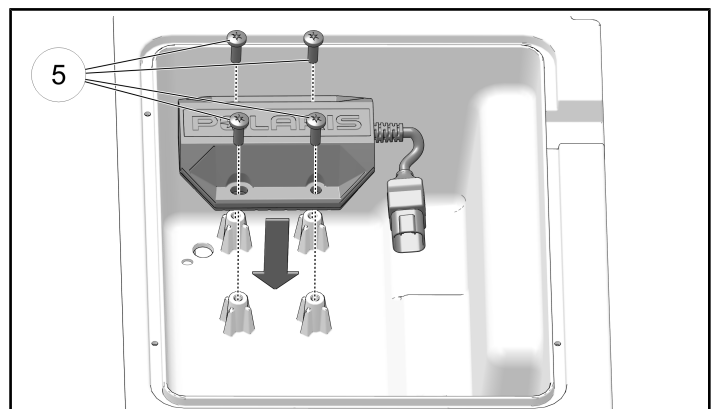


5. Drill two holes.

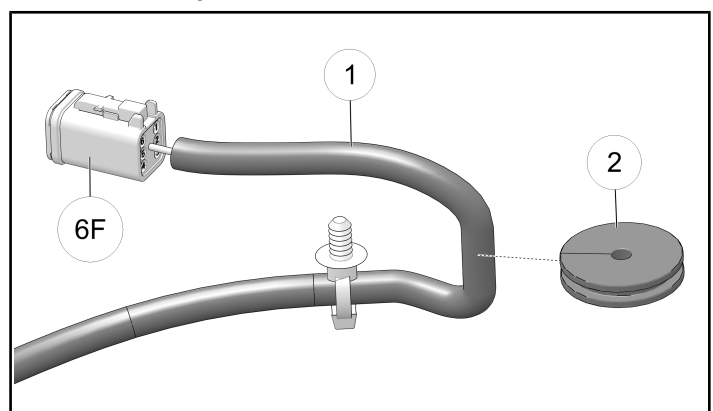


RIDE COMMAND+ PLUG-IN INSTALLATION

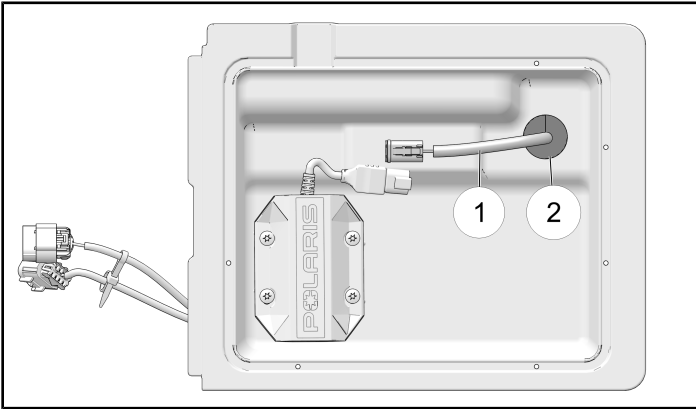
1. Install RIDE COMMAND+ Plug-In (sold separately) on four storage bin posts with four screws **Ⓔ**. Tighten until fully seated.



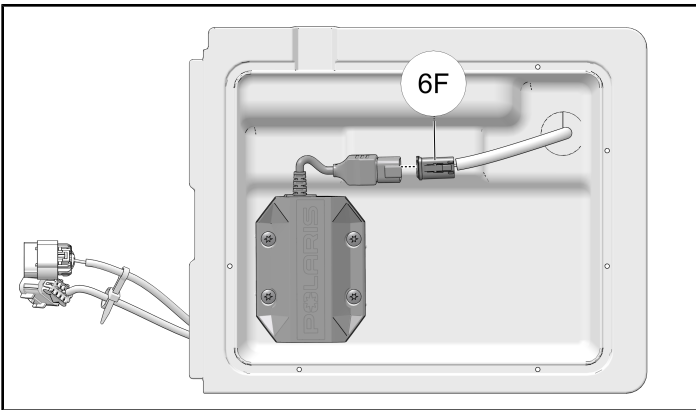
2. Install grommet **Ⓐ** on harness **Ⓐ** near the plug-in connector **6F**.



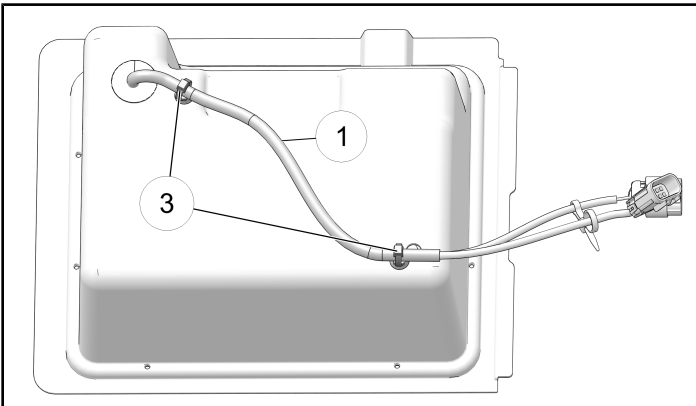
- Put harness ① connector **6F** through 1 1/4 in hole. Install grommet ② in hole.



- Connect plug-in connector to **6F** connector.

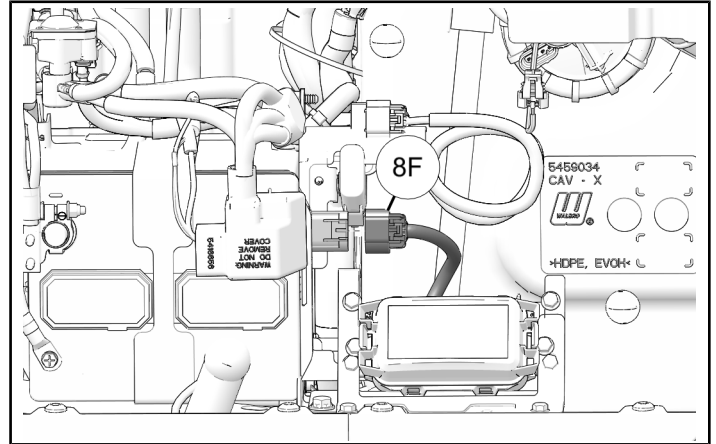


- Route harness ① under storage bin. Install two push pins ③ in 1/4 in holes.

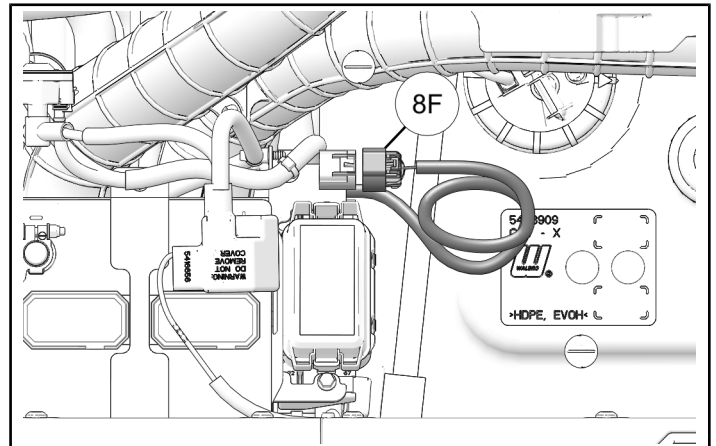


- Unplug diagnostic port **8F** from cap on vehicle. Location of port depends on model year.

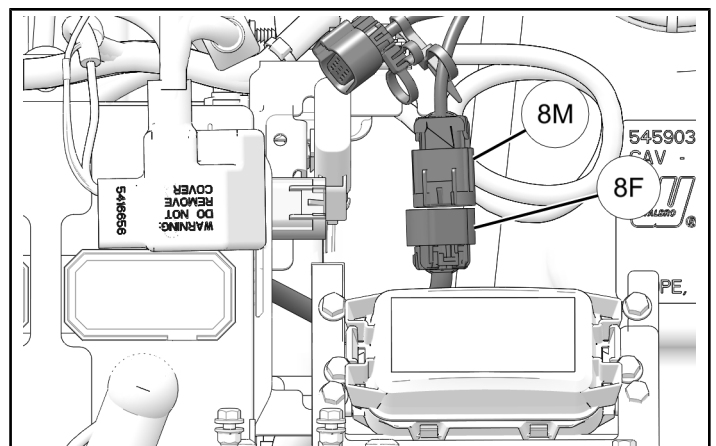
- Model Year 2022+



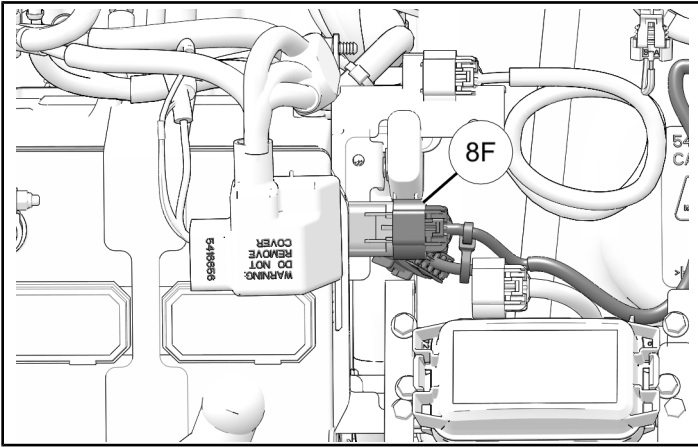
- Model Year 2021 and older



- Connect harness diagnostic connector **8M** to recently disconnected diagnostic port **8F**.

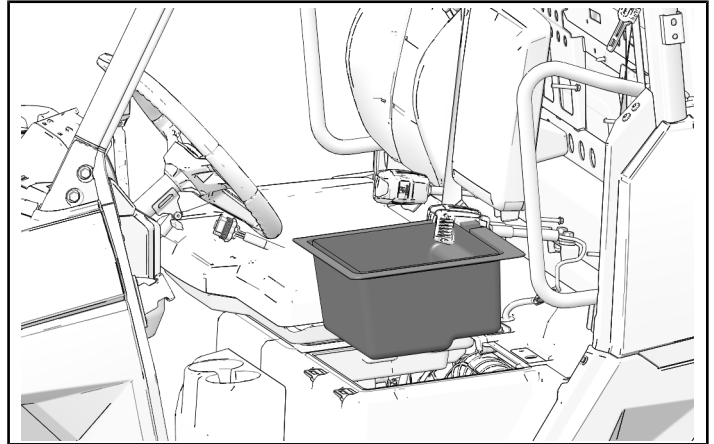


- Connect harness chassis connector **8F** to empty cap on vehicle.



3 SEAT WITH SEAT SLIDER

- Reinstall under storage bin.

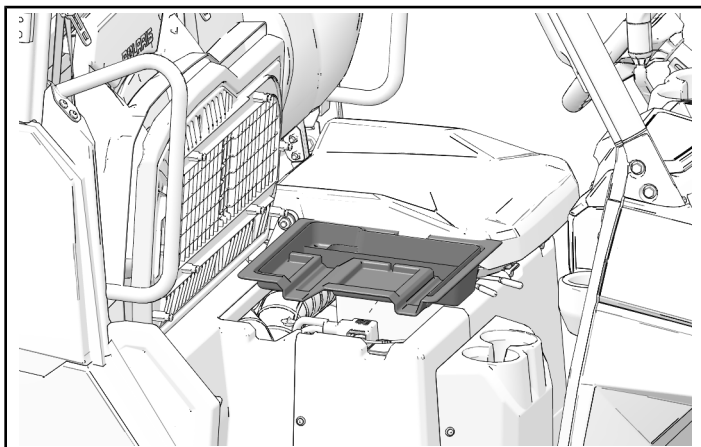
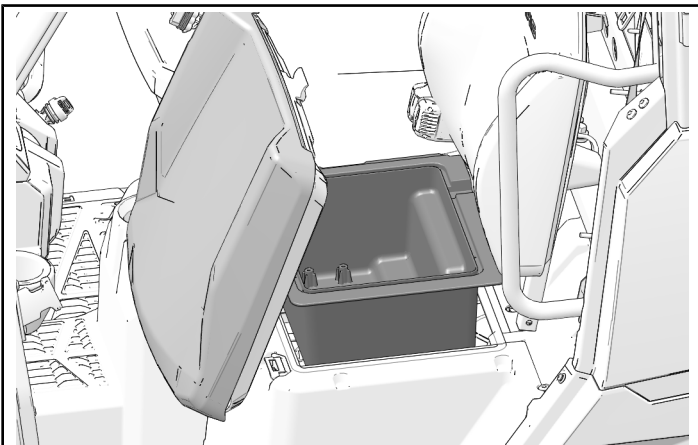


VEHICLE REASSEMBLY

SEAT AND BIN REASSEMBLY

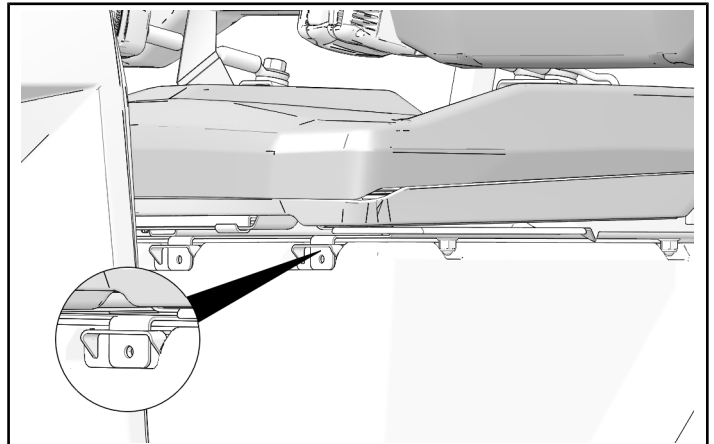
CREW WITHOUT SEAT SLIDER

- Reinstall both storage bins for both seats.



- Close both seats.

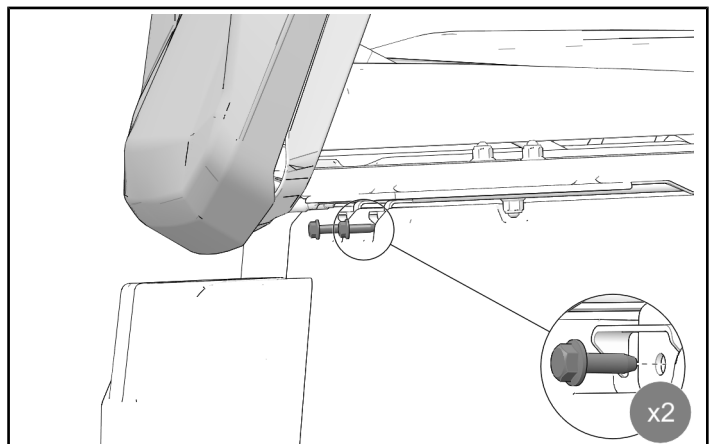
- Reinstall seat with seat slider onto the seat. Make sure that the front bracket fits into the holes of the bracket hinge.



- Reinstall the two retained screws in front of the seat. Torque to specification.

TORQUE

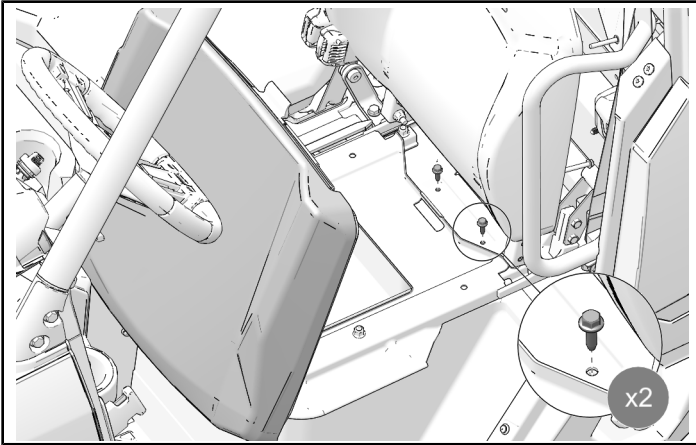
Screws:
72 in-lbs (8 N·m)



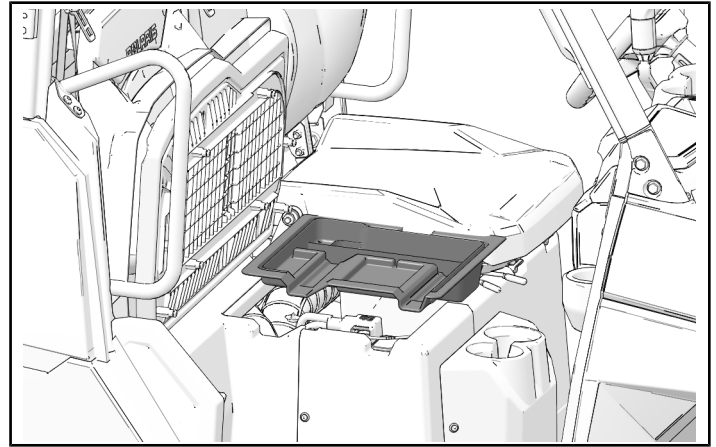
- Slide seat forward to reinstall two retained underseat screws. Torque to specification.

TORQUE

Underseat screws:
72 in-lbs (8 N·m)



- Reinstall under storage bin for passenger



- Close seats.

OPERATION

POLARIS® APP

Download the Polaris® App for the Apple or Android device that will be used with RIDE COMMAND+ Plug-In device. Follow the setup procedure in the app.



INSTRUCTION FEEDBACK FORM

A feedback form has been created for the installer to provide any comments, questions or concerns about the installation instructions. The form is viewable on mobile devices by scanning the QR code or by clicking [HERE](#) if viewing on a PC.

