

SPARE TIRE CARRIER KIT



P/N 2889193

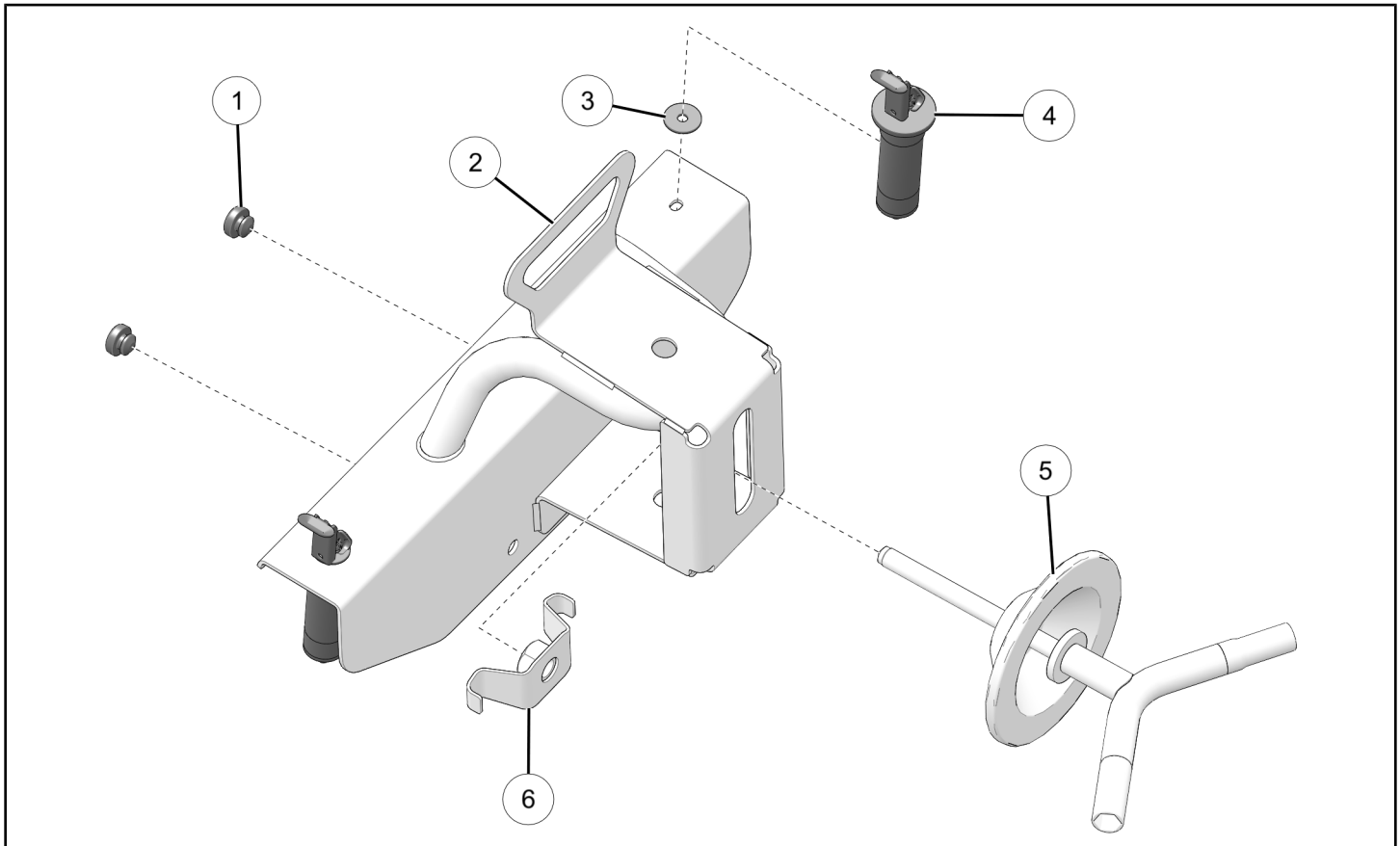
BEFORE YOU BEGIN

Read these instructions and check to be sure all parts and tools are accounted for. Please retain these installation instructions for future reference and parts ordering information.

APPLICATION

Verify accessory fitment at www.polaris.com.

KIT CONTENTS



REF	QTY	PART DESCRIPTION	P/N AVAILABLE SEPARATELY
1	2	Bumper–Rubber	5412067
2	1	Assembly–Spare Tire Carrier	1027131
3	2	Washer– 8.4 x 20 x 2.0 mm	7556219
4	2	Anchor–Lock & Ride®	2875250
5	1	Handle–Spare Tire Carrier	1019949
6	1	Plate–Weld Nut	1027272

TOOLS REQUIRED

- Safety Glasses
- Wrench Set, SAE

IMPORTANT

Your Spare Tire Carrier Kit is exclusively designed for your vehicle. Please read the installation instructions thoroughly before beginning. Installation is easier if the vehicle is clean and free of debris. For your safety, and to ensure a satisfactory installation, perform all installation steps correctly in the sequence shown.

INSTALLATION INSTRUCTIONS

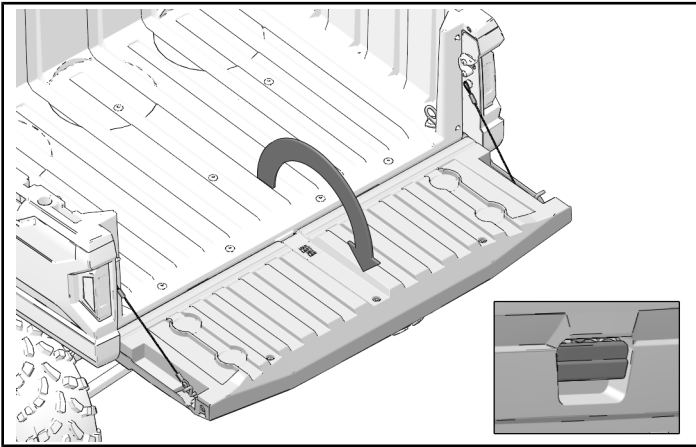
VEHICLE PREPARATION

GENERAL

1. Park vehicle on a flat surface.
2. Shift vehicle into PARK.
3. Turn key to OFF position and remove key.

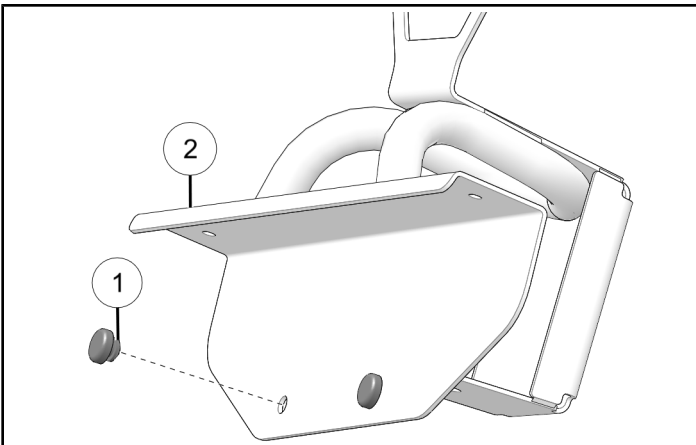
CARGO BOX ACCESS

1. Lift handle and fold tailgate down.

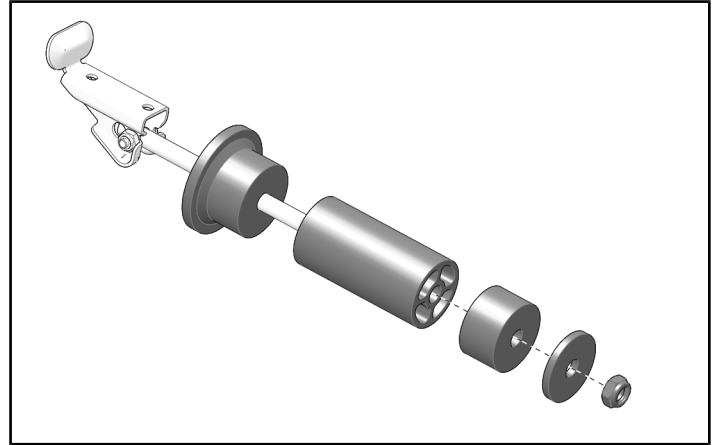


ACCESSORY INSTALLATION

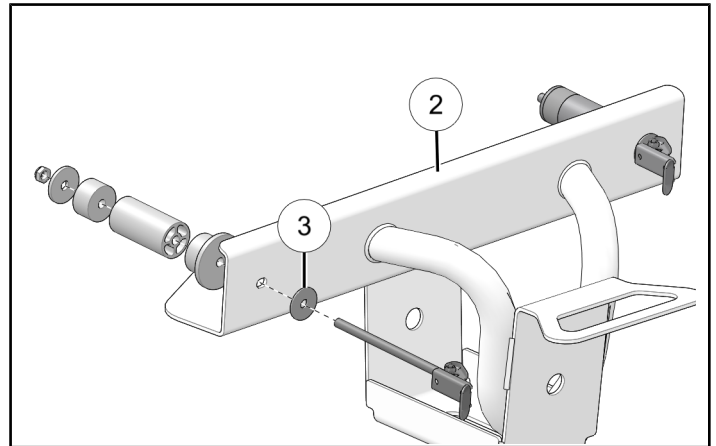
1. Install two rubber bumpers ① into spare tire carrier assembly ②.



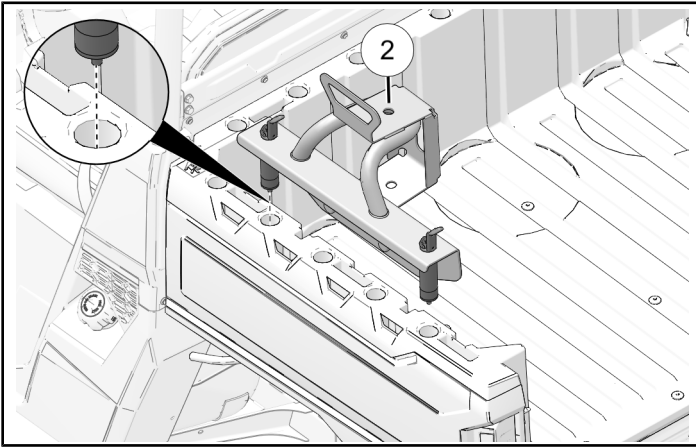
2. Disassemble Lock & Ride® anchor.



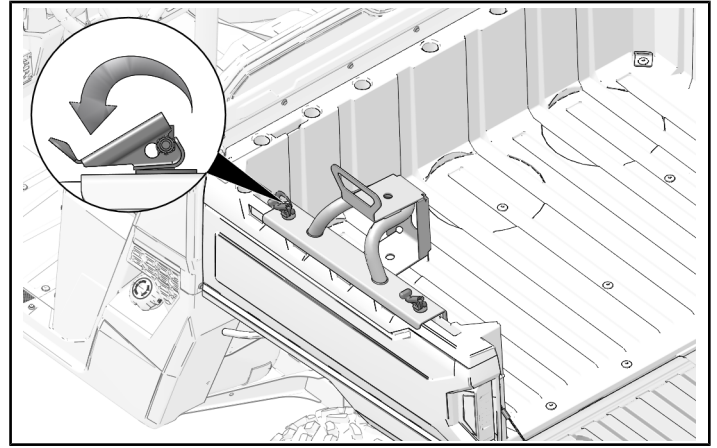
3. Assemble Lock & Ride® onto spare tire carrier assembly ② with washer ③ positioned between Lock & Ride® lever and spare tire carrier assembly ②.



- Put spare tire carrier assembly ② with mounting holes in cargo box.



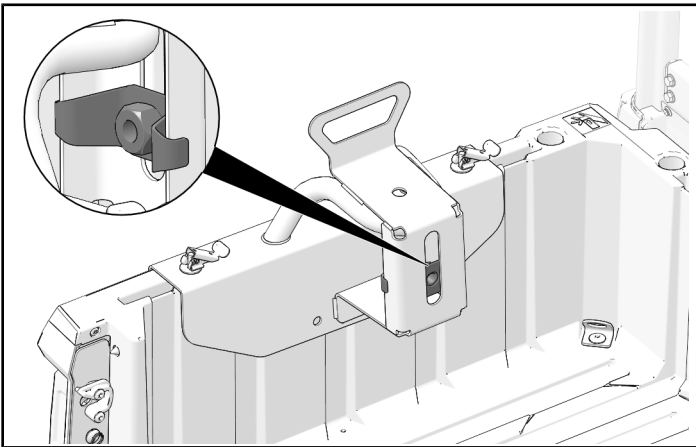
- Push down on assembly and close Lock & Ride® lever.



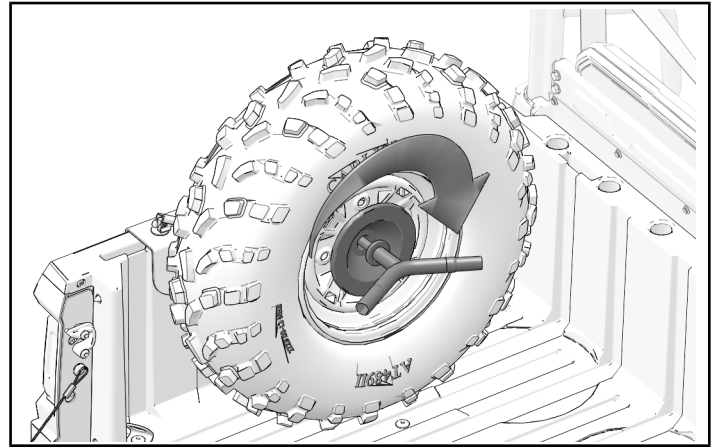
OPERATION

SPARE TIRE INSTALLATION

- Put weld nut plate within spare tire carrier. Make sure each end hooks around the edges of the spare tire carrier, as shown.



- Align spare tire with carrier. Insert handle through wheel and thread handle into weld nut plate until handle is snug against wheel.



INSTRUCTION FEEDBACK FORM

A feedback form has been created for the installer to provide any comments, questions or concerns about the installation instructions. The form is viewable on mobile devices by scanning the QR code or by clicking [HERE](#) if viewing on a PC.

