

# CAB SEAL KIT



P/N 2889778; 2889779, 2889201

## BEFORE YOU BEGIN

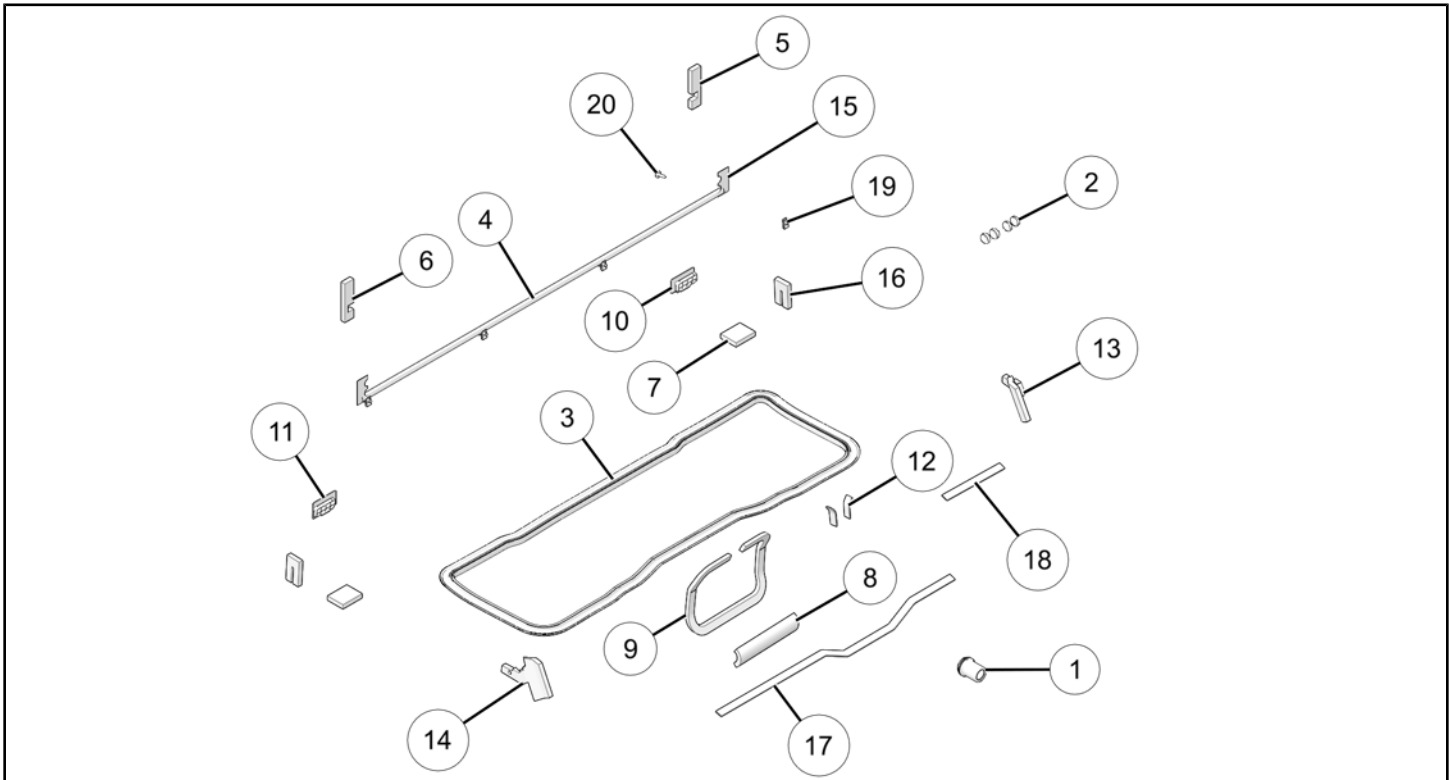
Read these instructions and check to be sure all parts and tools are accounted for. Please retain these installation instructions for future reference and parts ordering information.

## APPLICATION

Verify accessory fitment at [www.polaris.com](http://www.polaris.com).

## KIT CONTENTS

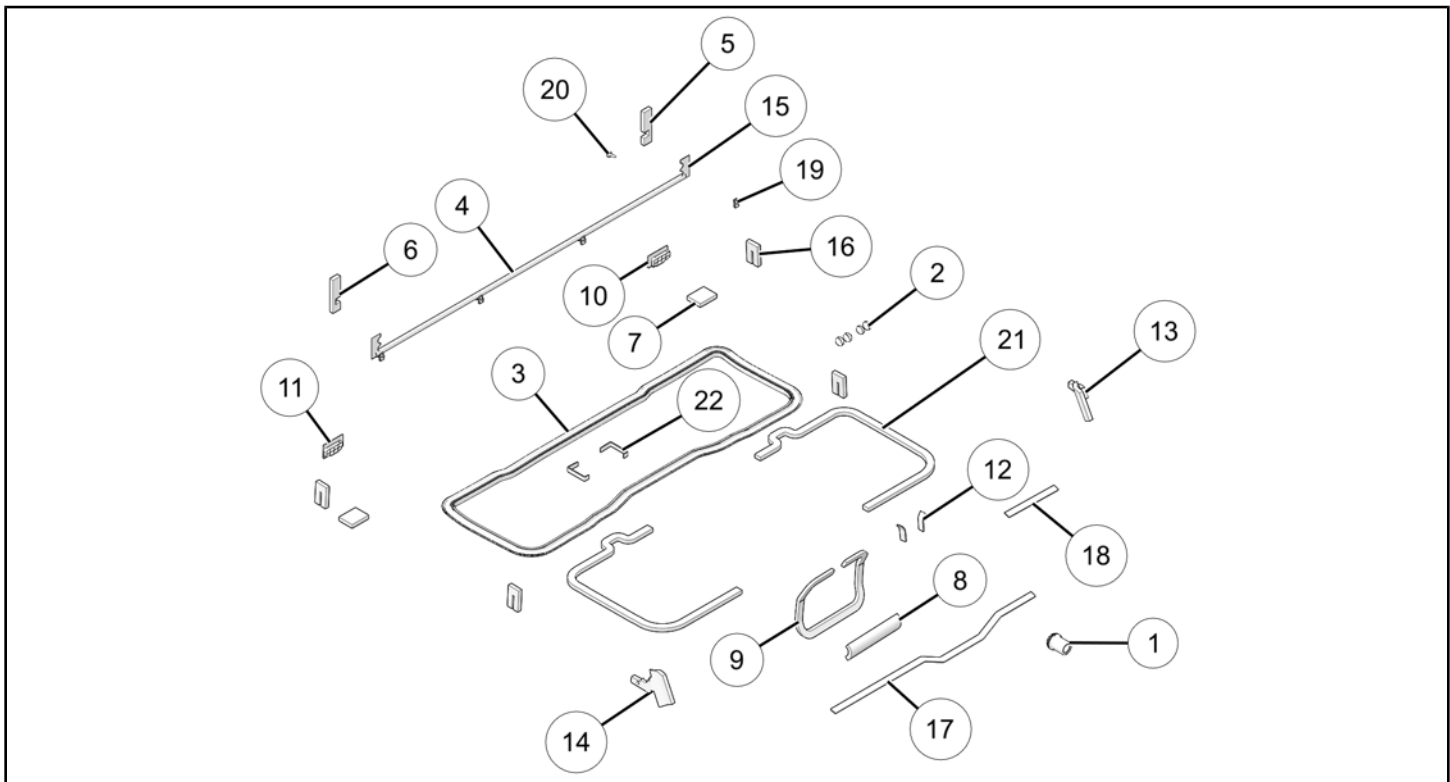
### KIT 2889778 (TWO-PASSENGER VEHICLES)



REF	QTY	PART DESCRIPTION	P/N AVAILABLE SEPARATELY
1	1	Grommet-Brake Cylinder	5417665
2	4	Plug	5418084
3	1	Seal-Seat Base	5511071
4	1	Seal-Cab Frame, Rear Close Out	N/A
5	1	Foam-Rear ROPS, Left-Hand	5814222
6	1	Foam-Rear ROPS, Right-Hand	5814223
7	2	Foam, Rocker	5815123
8	1	Foam, Glove Box Hinge	5815124
9	1	Foam, Glove Box	5815127

REF	QTY	PART DESCRIPTION	P/N AVAILABLE SEPARATELY
10	1	Rubber-Grommet, Left-Hand	5815150
11	1	Rubber-Grommet, Right-Hand	5815151
12	2	Foam-Dash, Center, Upper	5815270
13	1	Foam-Seal, A-Pillar, Left-Hand	5815272
14	1	Foam-Seal, A-Pillar, Right-Hand	5815273
15	2	Foam-Seal, C-Pillar, Upper	5815274
16	4	Foam-Door Hinge	5815275
17	1	Foam-Dash, Bottom, 820 mm	5815278
18	1	Foam-Dash, Bottom, 183 mm	5815279
19	4	U-Clip Speed Nut	7081305
20	4	Screw-Torx® Drive Truss Head, M6 x 1.0 x 25 mm	7519650
21	1	Squeegee (not shown)	N/A

### KIT 2889779 (MULTI-PASSENGER VEHICLES)



REF	QTY	PART DESCRIPTION	P/N AVAILABLE SEPARATELY
1	1	Grommet-Brake Cylinder	5417665
2	4	Plug	5418084
3	1	Seal-Seat Base	5511071
4	1	Seal-Cab Frame, Rear Close Out	N/A

REF	QTY	PART DESCRIPTION	P/N AVAILABLE SEPARATELY
5	1	Foam–Rear ROPS, Left-Hand	5814222
6	1	Foam–Rear ROPS, Right-Hand	5814223
7	2	Foam, Rocker	5815123
8	1	Foam, Glove Box Hinge	5815124
9	1	Foam, Glove Box	5815127
10	1	Rubber–Grommet, Left-Hand	5815150
11	1	Rubber–Grommet, Right-Hand	5815151
12	2	Foam–Dash, Center, Upper	5815270
13	1	Foam–Seal, A-Pillar, Left-Hand	5815272
14	1	Foam–Seal, A-Pillar, Right-Hand	5815273
15	2	Foam–Seal, C-Pillar, Upper	5815274
16	4	Foam–Door Hinge	5815275
17	1	Foam–Dash, Bottom, 820 mm	5815278
18	1	Foam–Dash, Bottom, 183 mm	5815279
19	4	U-Clip Speed Nut	7081305
20	4	Screw-Torx® Drive Truss Head, M6 x 1.0 x 25 mm	7519650
21	2	Foam–Crew Front Seat	5815247
22	2	Foam–Seal, B-Pillar	5815280
23	1	Sealant-Packet, Sikaflex 295UV	N/A
24	1	Squeegee (not shown)	N/A

## TOOLS REQUIRED

- Safety Glasses
- Pliers, Push Pin Rivet
- Pry Tool
- Screwdriver Set, Torx®
- Socket Set, Torx® Bit
- Torque Wrench
- Utility Knife

## CONSUMABLES REQUIRED

- Cleaning Solution (99% water + 1% mild dishwashing detergent)
- Isopropyl Alcohol (IPA)

## IMPORTANT

Your Cab Seal Kit is exclusively designed for your vehicle. Please read the installation instructions thoroughly before beginning. Installation is easier if the vehicle is clean and free of debris. For your safety, and to ensure a satisfactory installation, perform all installation steps correctly in the sequence shown.

# INSTALLATION INSTRUCTIONS

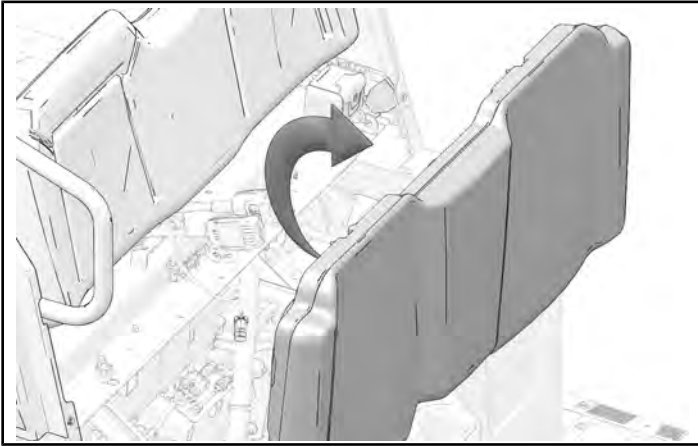
## VEHICLE PREPARATION

### GENERAL

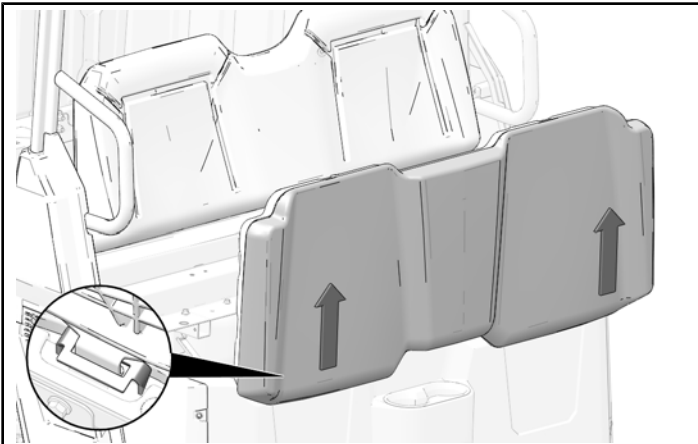
1. Park vehicle on a flat surface.
2. Shift vehicle into PARK.
3. Turn key to OFF position and remove key.
4. Remove all cab accessories (if equipped):
  - Roof
  - Windshield
  - Rear Panel
  - etc.

### SEAT REMOVAL

1. Pull rear of seat and rotate seat upright.

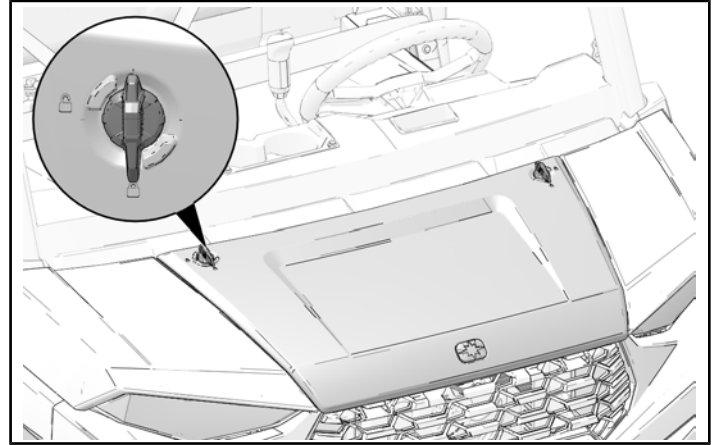


2. Lift seat up and remove from lower hinge brackets.



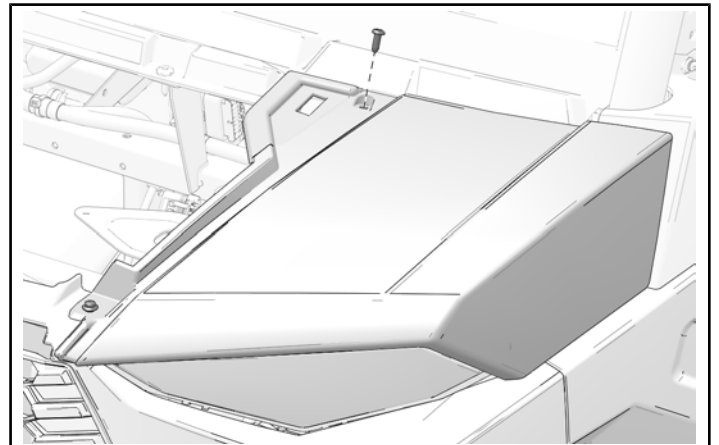
### HOOD REMOVAL

1. Turn two quarter-turn fasteners to unlock position to remove hood from vehicle.

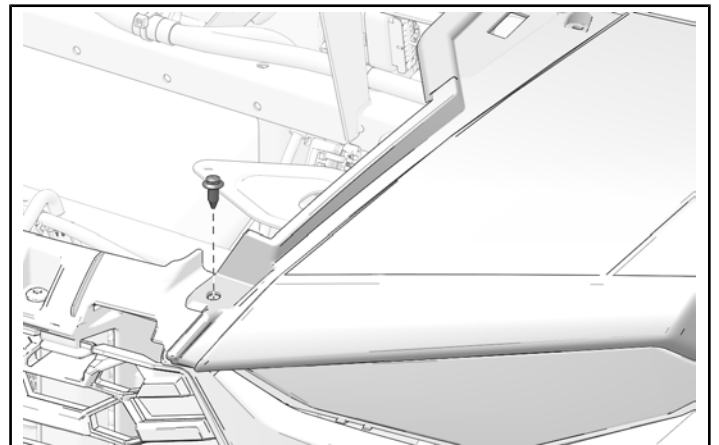


### LEFT-HAND HOOD REMOVAL

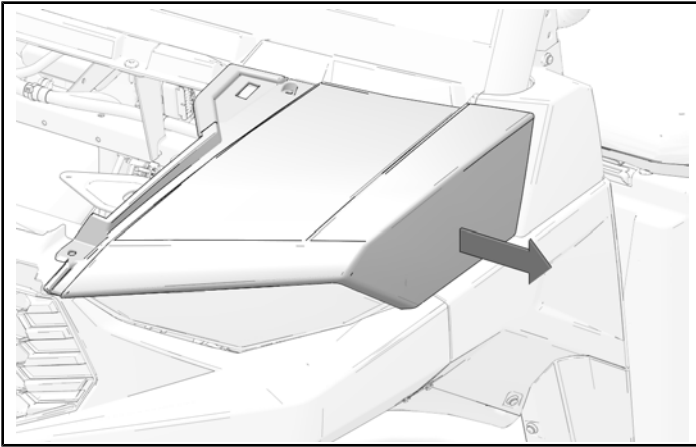
1. Remove and keep one screw from outer hood.



2. Remove and keep one push-pin rivet from outer hood.

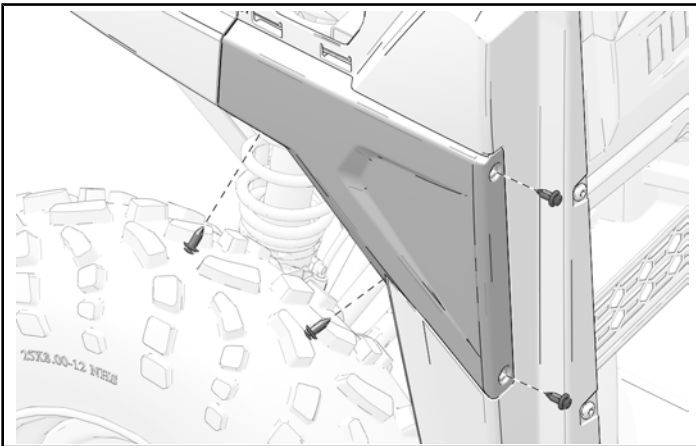


3. Pull outer hood away from vehicle.

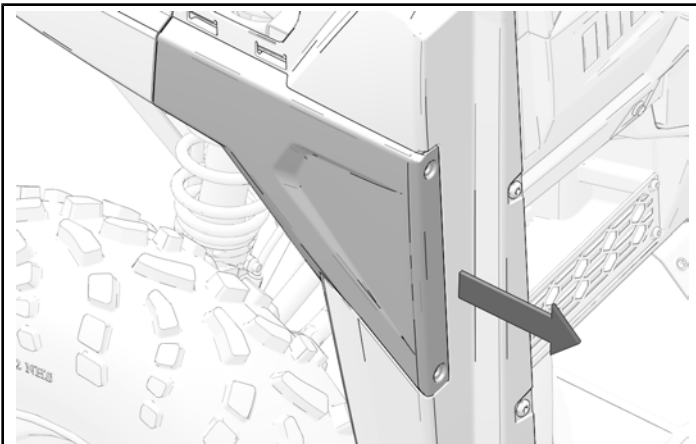


### **LEFT-HAND SIDE ACCESS PANEL REMOVAL**

1. Remove and keep four push-pin rivets from side access panel.

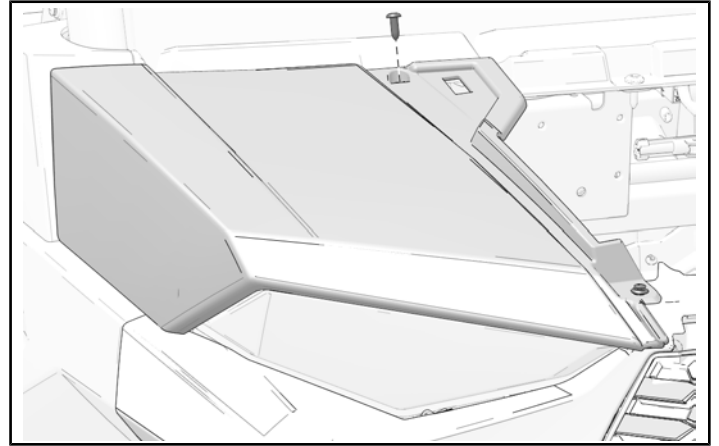


2. Move side access panel rearward to remove from vehicle.

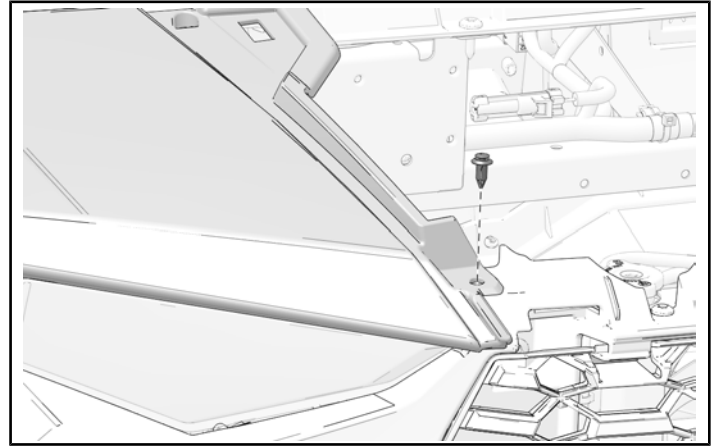


### **RIGHT-HAND HOOD REMOVAL**

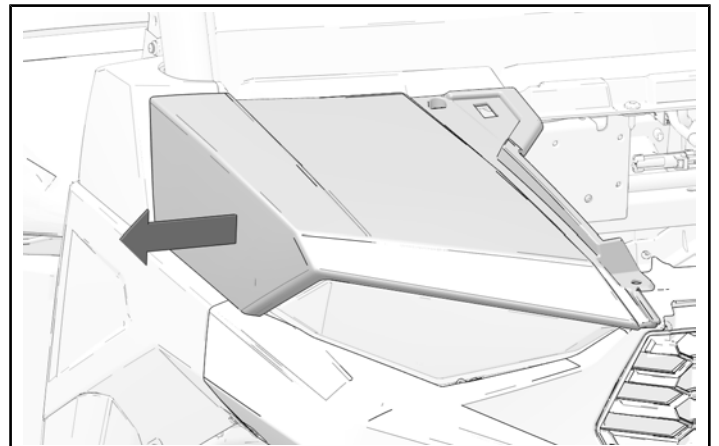
1. Remove and keep one screw from outer hood.



2. Remove and keep one push-pin rivet from outer hood.

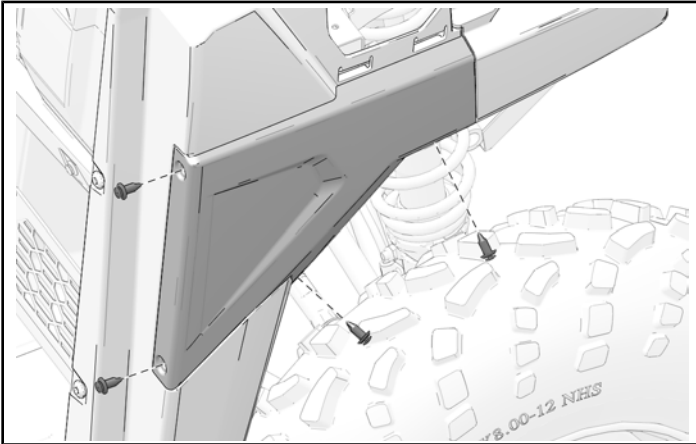


3. Pull outer hood away from vehicle.

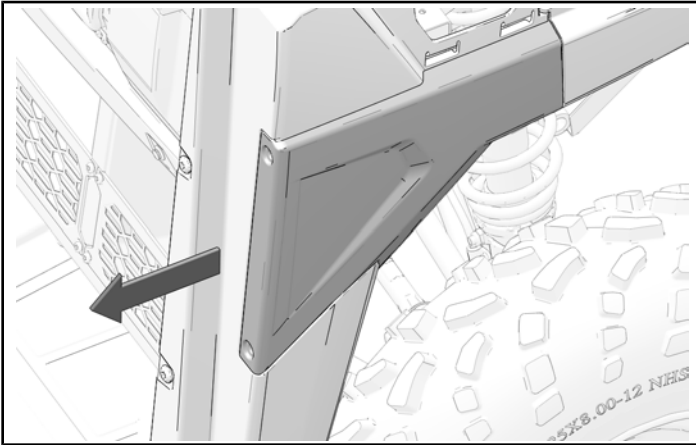


## **RIGHT-HAND SIDE ACCESS PANEL REMOVAL**

1. Remove and keep four push-pin rivets from side access panel.

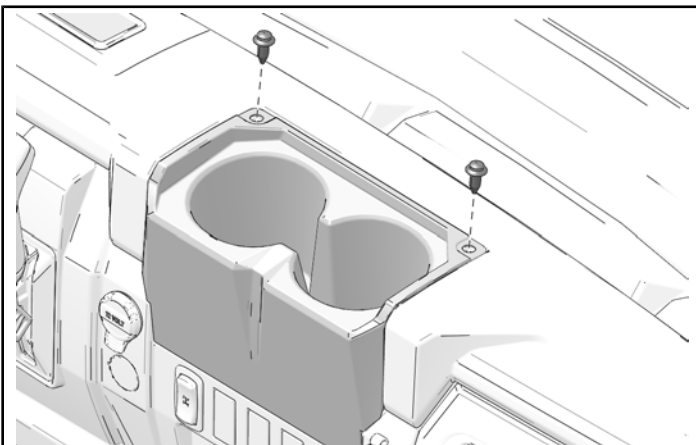


2. Move side access panel rearward to remove from vehicle.

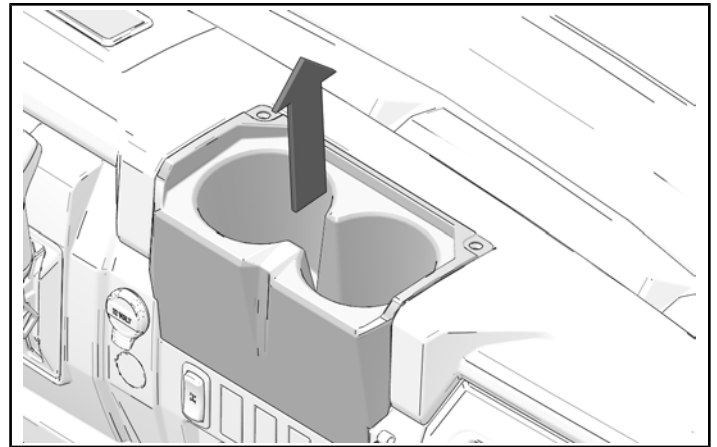


## **CUP HOLDER REMOVAL**

1. Remove two push-pin rivets from cup holder.

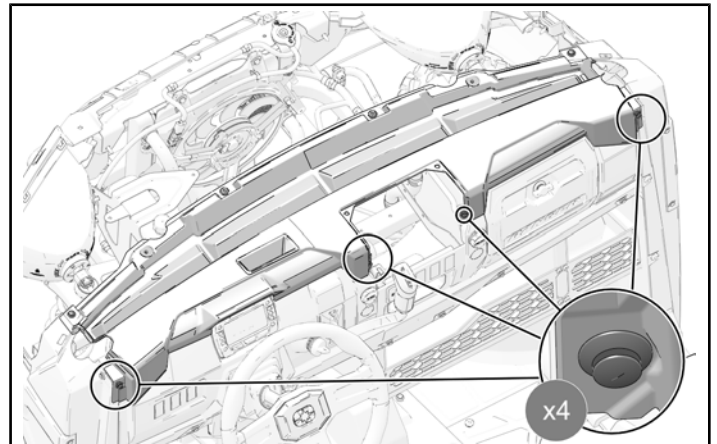


2. Remove cup holder from dashboard.

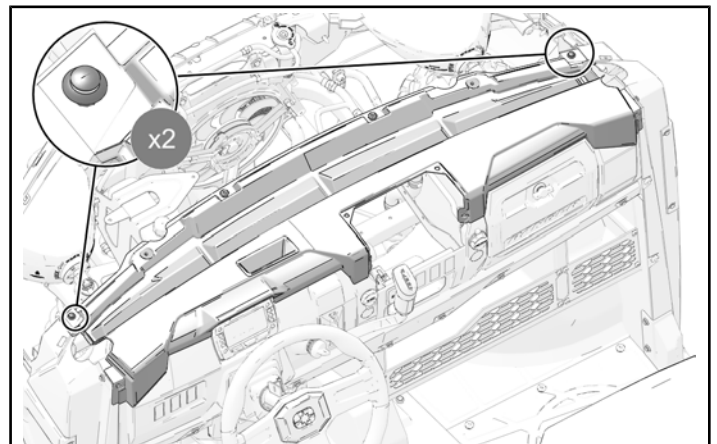


## **UPPER DASHBOARD REMOVAL**

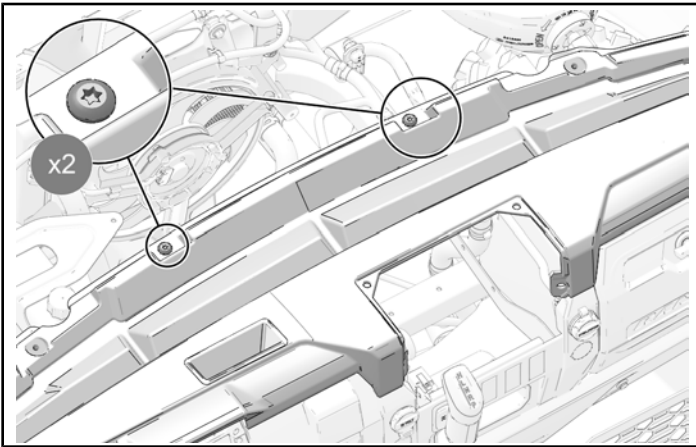
1. Remove and keep four push-pin rivets from upper dashboard.



2. Remove and keep two push-pin rivets from upper dashboard.



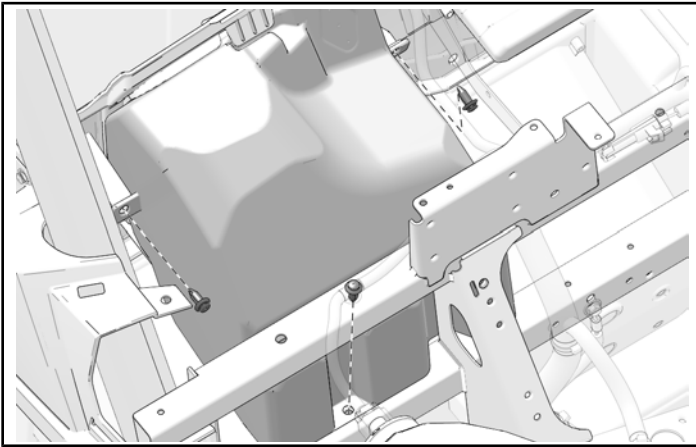
3. Remove and keep two screws from upper dashboard.



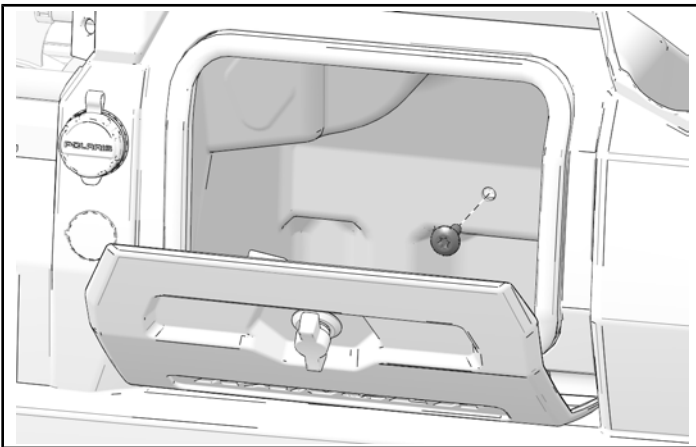
4. Remove upper dashboard from vehicle.

### **GLOVE BOX REMOVAL**

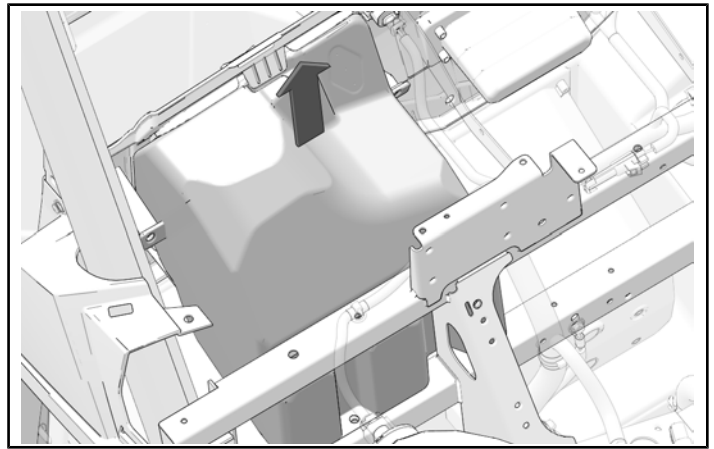
1. Remove three push-pin rivets from glove box.



2. Open glove box and remove one screw from inside.

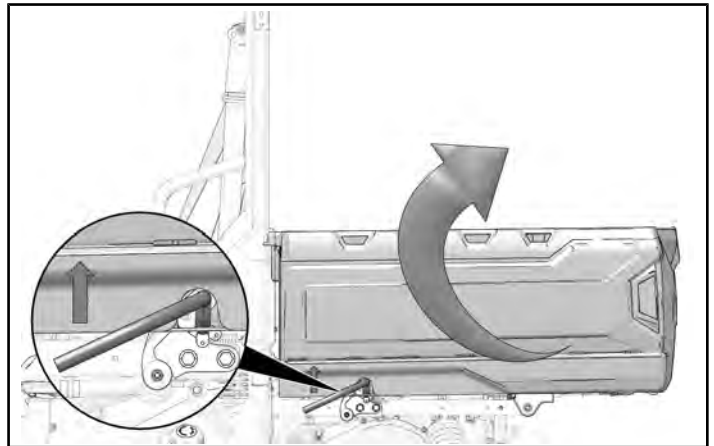


3. Remove glove box from vehicle.



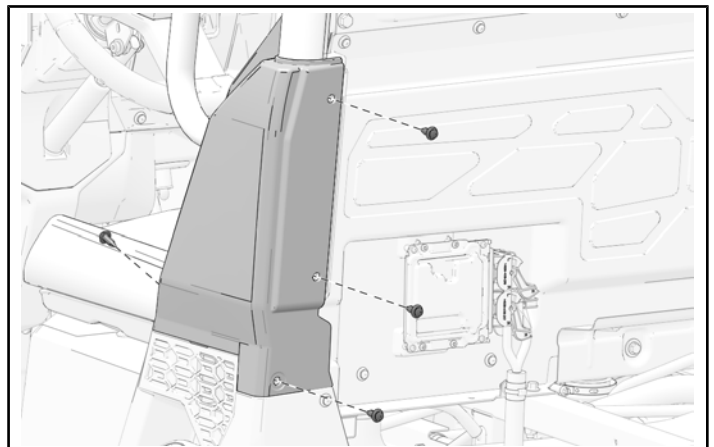
### **TILTING CARGO BOX**

1. Pull upwards on cargo box lever to rotate cargo box upwards.



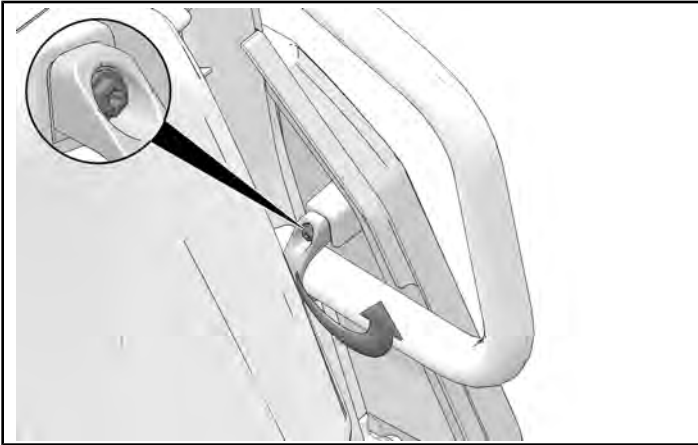
### **LEFT-HAND UPPER ROCKER PANEL REMOVAL**

1. Remove and keep four push-pin rivets from upper rocker panel.

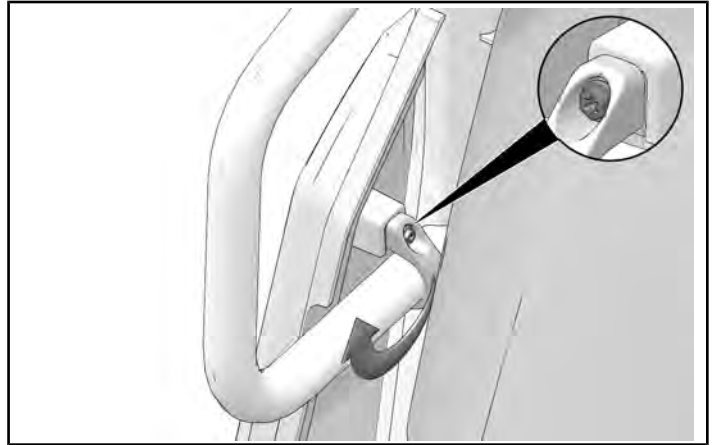




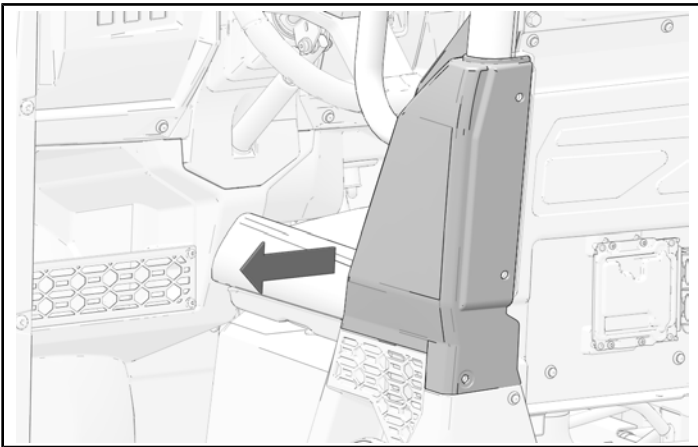
2. Loosen, but do not remove, screw on retaining hook. Rotate hook until it is free of bolster tube.



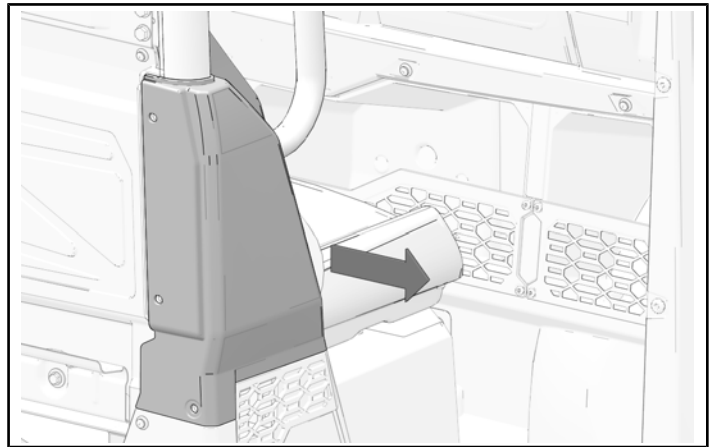
2. Loosen, but do not remove, screw on retaining hook. Rotate hook until it is free of bolster tube.



3. Remove upper rocker panel from vehicle.

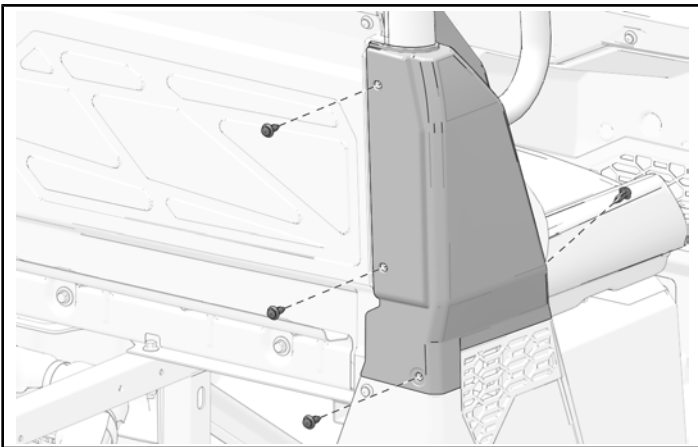


3. Remove upper rocker panel from vehicle.



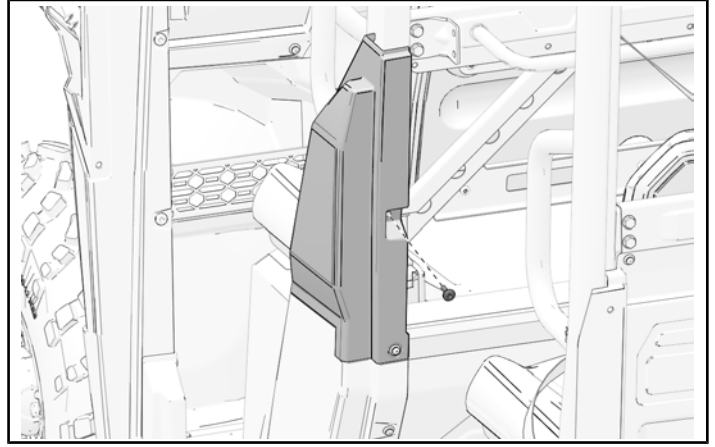
### **RIGHT-HAND UPPER ROCKER PANEL REMOVAL**

1. Remove and keep four push-pin rivets from upper rocker panel.



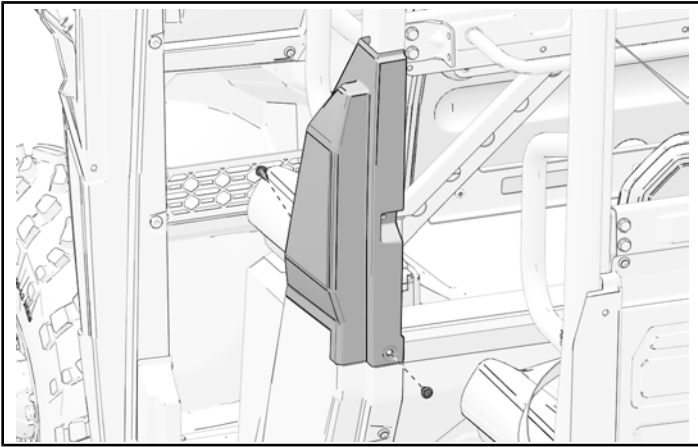
### **LEFT-HAND ROPS PILLAR COVER REMOVAL (MULTI-PASSENGER VEHICLES ONLY)**

1. Remove and keep one screw from ROPS pillar cover.

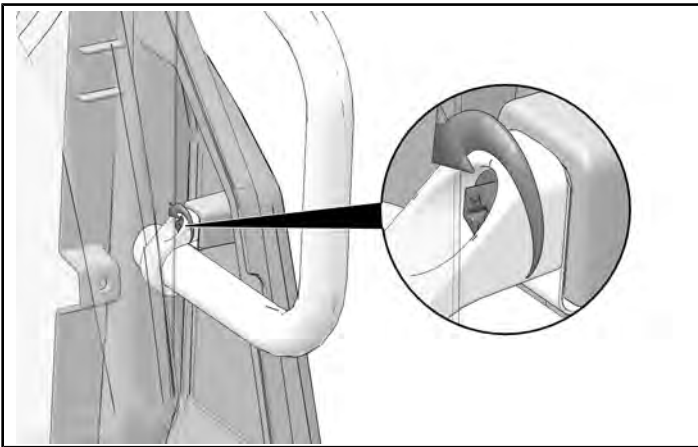




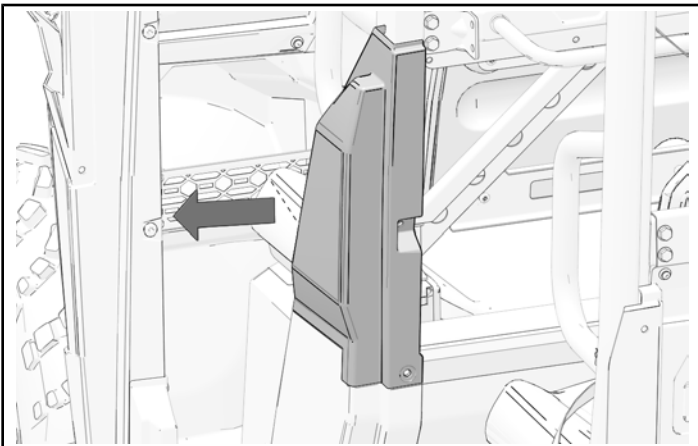
2. Remove and keep two push-pin rivets from ROPS pillar cover.



3. Loosen, but do not remove, screw on retaining hook. Rotate hook until it is free of bolster tube.



4. Remove ROPS pillar cover from vehicle.

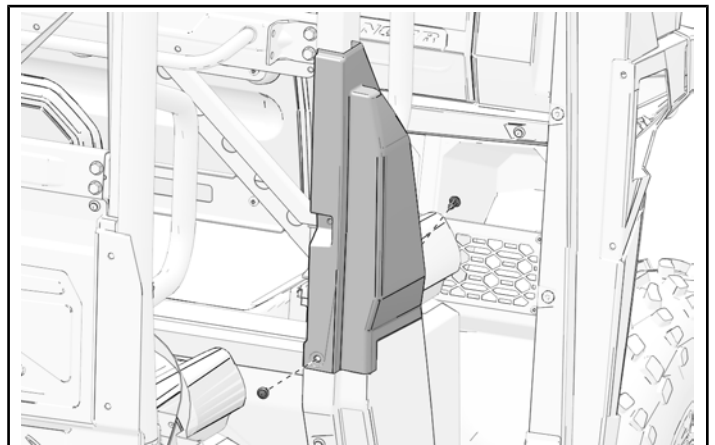


## **RIGHT-HAND ROPS PILLAR COVER REMOVAL (MULTI-PASSENGER VEHICLES ONLY)**

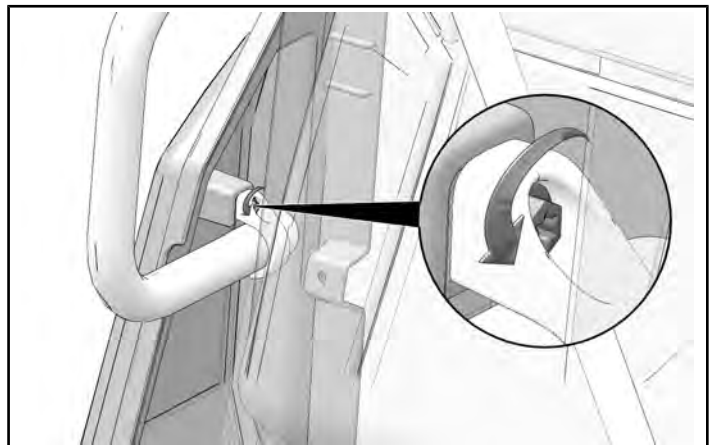
1. Remove and keep one screw from ROPS pillar cover.



2. Remove and keep two push-pin rivets from ROPS pillar cover.



3. Loosen, but do not remove, screw on retaining hook. Rotate hook until it is free of bolster tube.



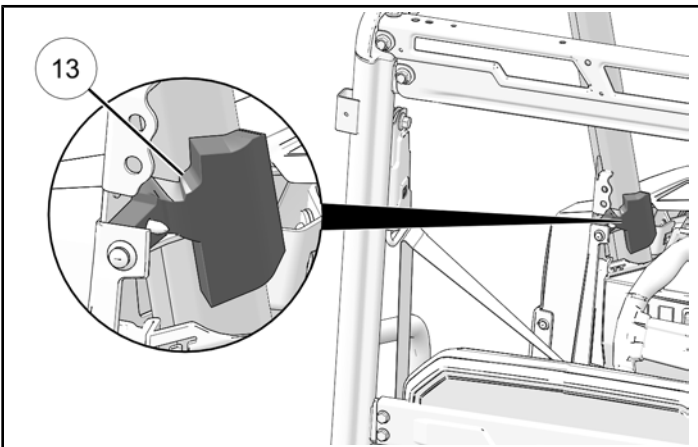
4. Remove ROPS pillar cover from vehicle.



## ACCESSORY INSTALLATION

### A-PILLAR SEALS

1. Identify the installation location on the LH side of vehicle for A-pillar seal ⑬. Clean installation surface as required.

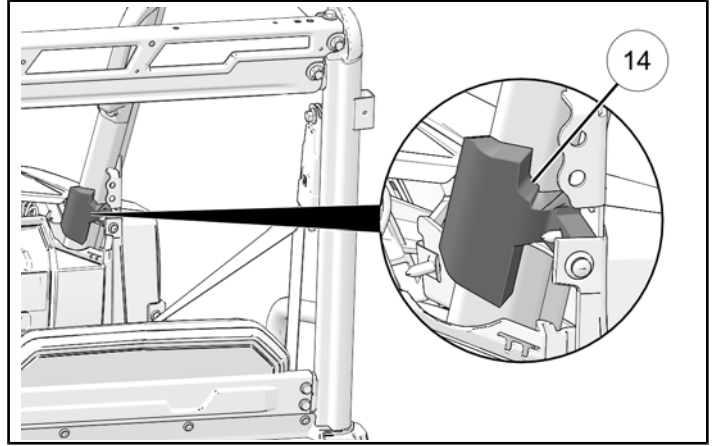


#### NOTICE

Seal comes in LH and RH parts; make sure the proper part (adhesive on outboard side) is used.

2. Peel the adhesive backing from the seal, then insert the seal onto the left front cab frame tube.

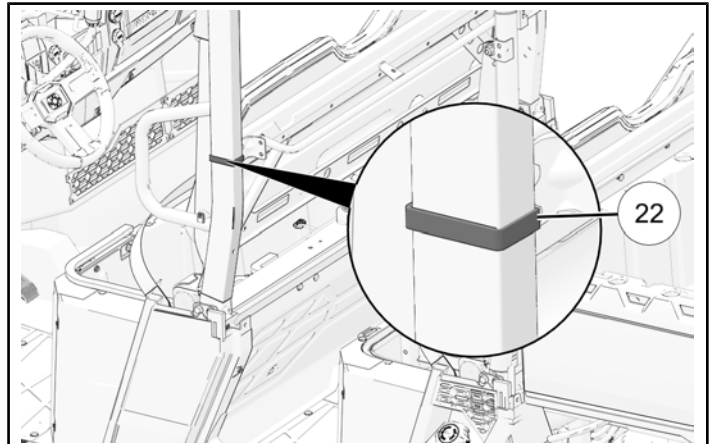
3. Identify the installation location on the RH side of vehicle for A-pillar seal ⑭. Clean installation surface as required.



4. Peel the adhesive backing from the seal, then insert the seal onto the right front cab frame tube.

### B-PILLAR SEALS (MULTI-PASSENGER VEHICLES ONLY)

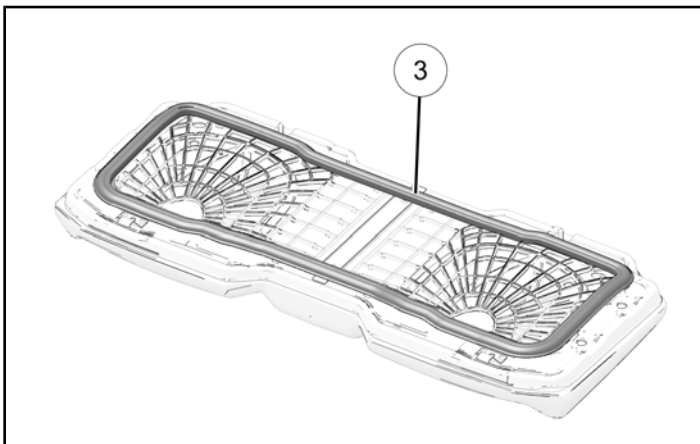
1. Identify the installation location on the LH side of vehicle for B-pillar seal ⑳. Clean installation surface as required.



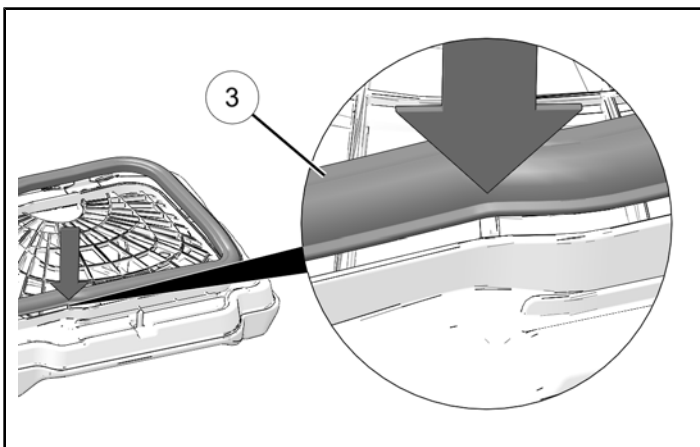
2. Peel the adhesive backing from the seal, then insert the seal onto the mid cab frame tube where the top of the ROPS pillar cover is typically installed.
3. Repeat steps for the RH side of vehicle.

## SEAT SEALS

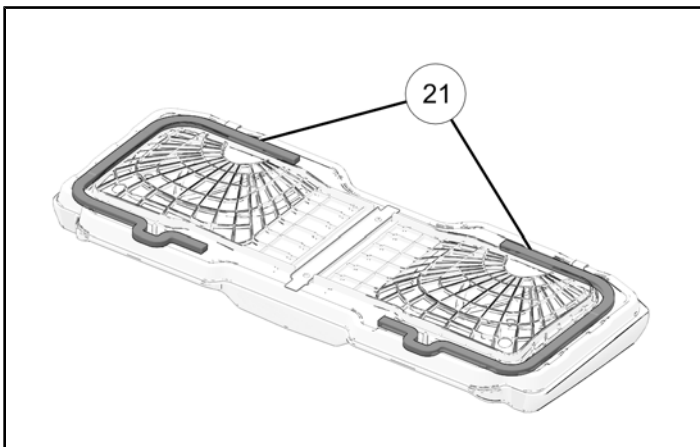
1. Install the seat base seal ③ onto the bottom of the front seat (2 passenger vehicles) or rear seat (multi-passenger vehicles).



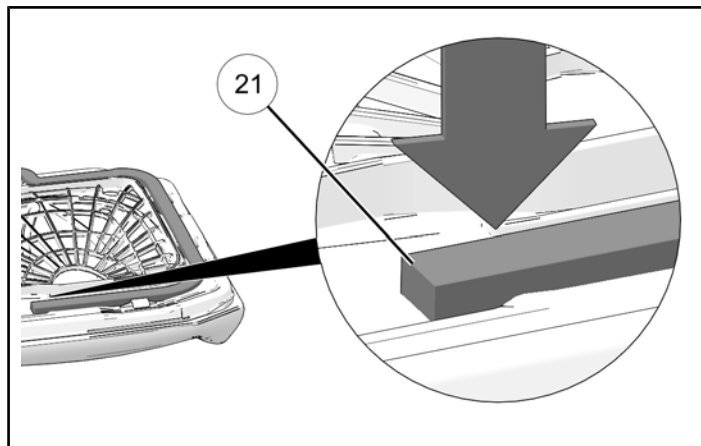
2. Carefully press the edging of the seat base seal ③ into the molded lip on the bottom of the seat.



3. Install the seat base seals ⑳ onto the bottom of the front seat (multi-passenger vehicles only).

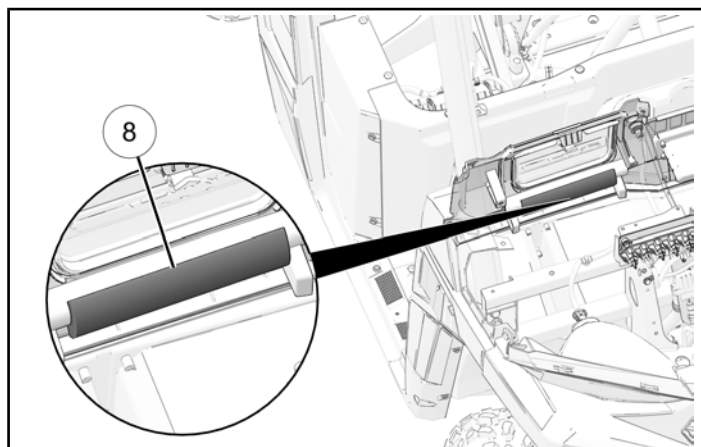


4. Carefully press the edging of the seat base seals ⑳ into the molded lips on the bottom of the seat (multi-passenger vehicles only).

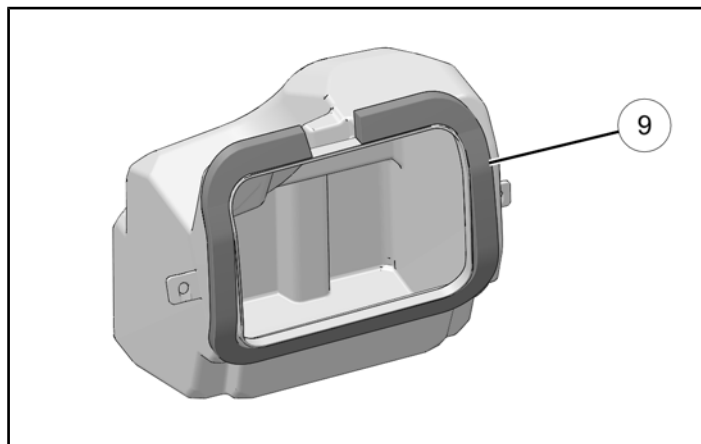


## GLOVE BOX SEALS

1. Identify the installation location on the lower dash panel for the glove box hinge foam ⑧. Clean installation surface as required.



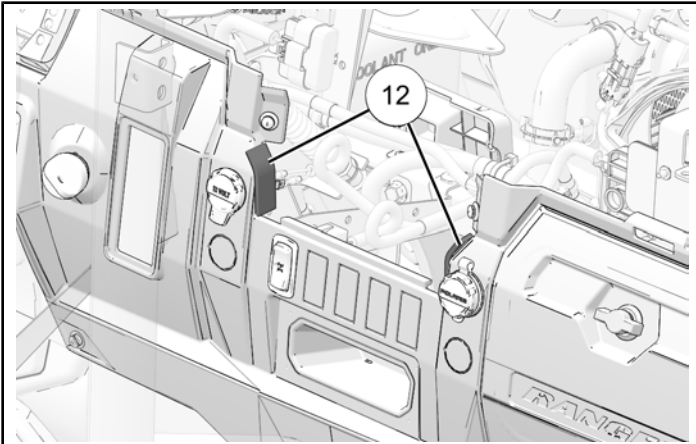
2. Peel the adhesive backing from the foam, then insert the foam onto the lower dash panel.
3. Install the glove box foam ⑨ onto the glove box.



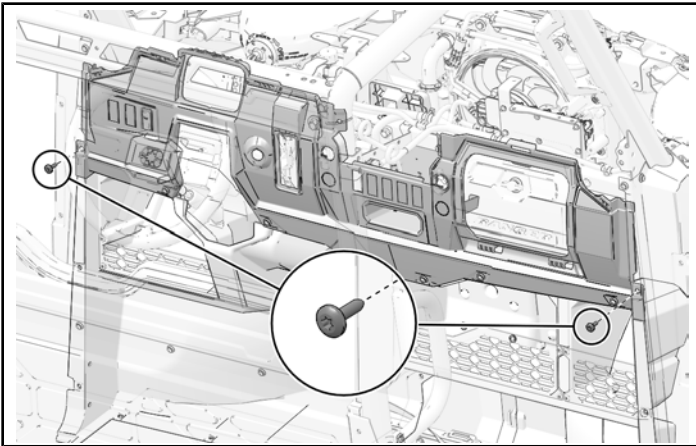
4. Peel the adhesive backing from the foam, then insert the foam onto the front of the glove box.

## DASH SEALS

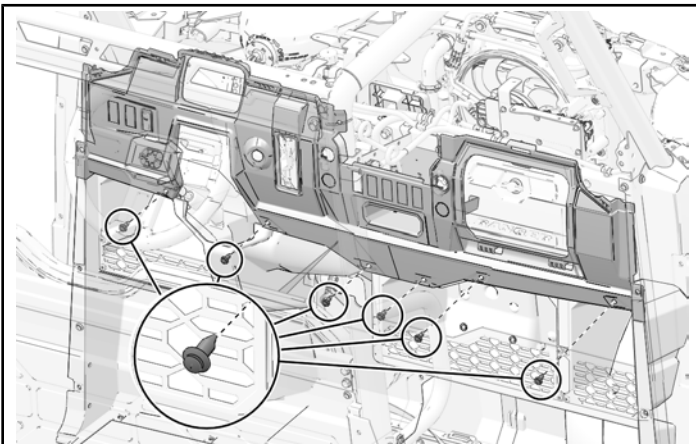
1. Identify the installation location on the lower dash panel for the upper center dash foam pieces ⑫. Clean installation surface as required.



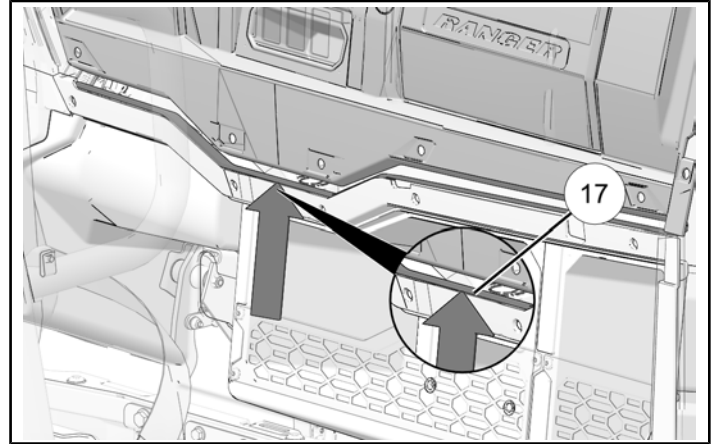
2. Peel the adhesive backing from the foam pieces, then insert the foam pieces onto the lower dash panel.
3. Remove and keep the two screws from the lower dash panel.



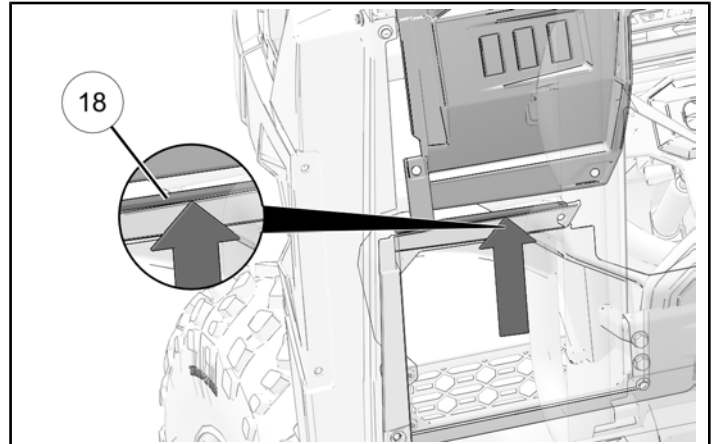
4. Remove and keep the six push-pin rivets from the lower dash panel.



5. Lift the bottom of the lower dash panel upwards and install the bottom dash foam ⑰ onto the top edge (RH side) of the front floor panel.



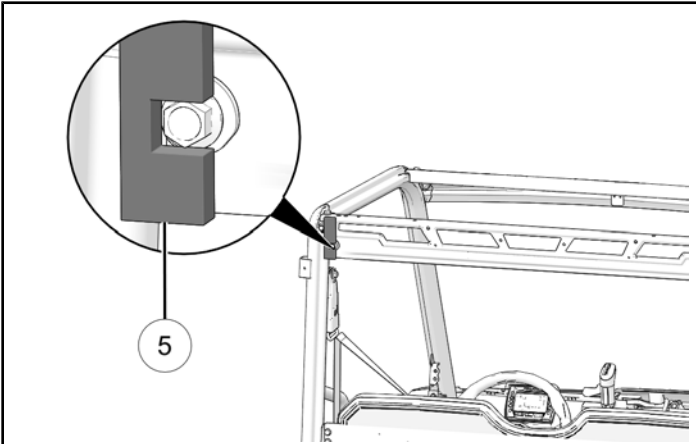
6. Lift the bottom of the lower dash panel upwards and install the bottom dash foam ⑱ onto the top edge (LH side) of the front floor panel.



7. Install the six push-pin rivets back onto the lower dash panel.
8. Install the two screws back onto the lower dash panel. Tighten until fully seated.

## ROOF SEALS

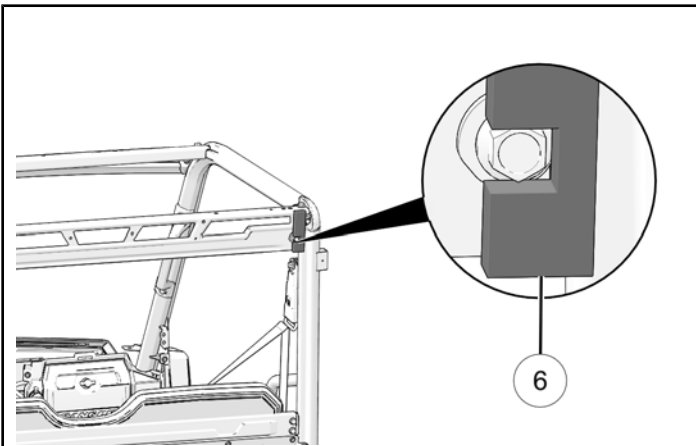
1. Identify the installation location on the LH side of vehicle for LH rear ROPS foam ⑤. Clean installation surface as required.



### NOTICE

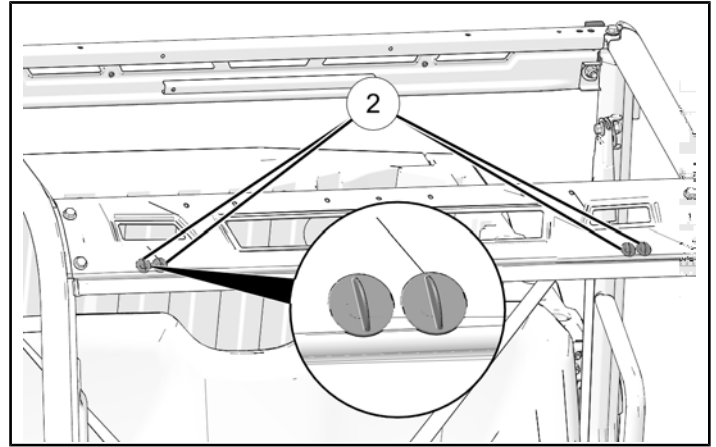
Foam comes in LH and RH parts; make sure the proper part (adhesive on outboard side) is used.

2. Peel the adhesive backing from the foam, then insert the foam onto the rear upper cab frame plate.
3. Identify the installation location on the RH side of vehicle for RH rear ROPS foam ⑥. Clean installation surface as required.



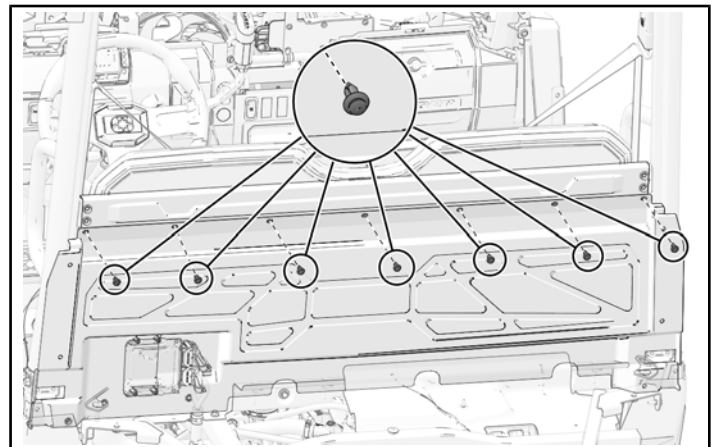
4. Peel the adhesive backing from the foam, then insert the foam onto the rear upper cab frame plate.

5. Install the four plugs ② into the unused mounting holes on the windshield mount plate.

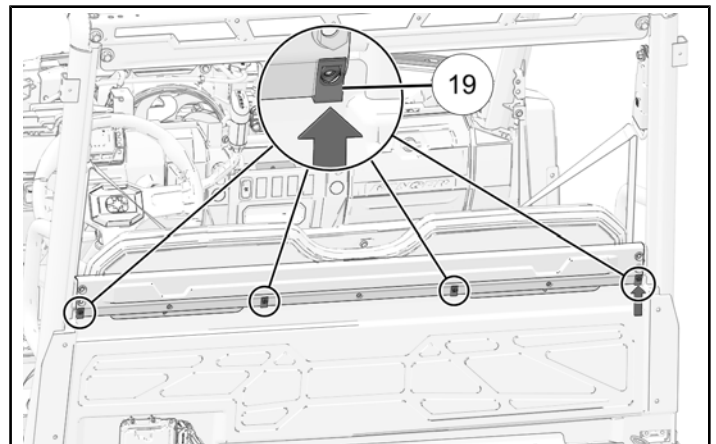


## REAR CLOSE OFF PANEL SEALS

1. Remove all seven push-pin rivets from the rear close off panel.

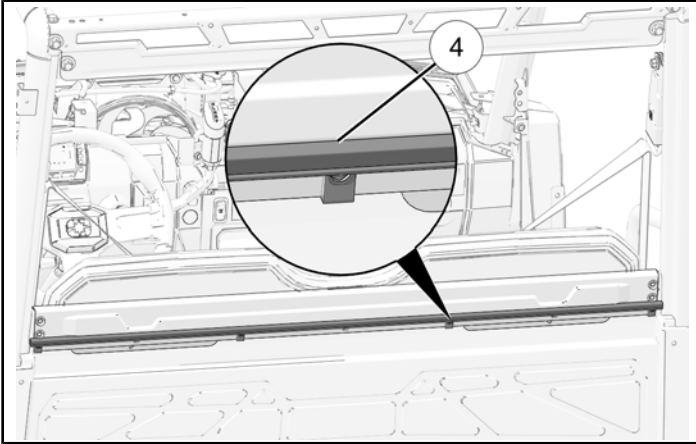


2. Pull the rear close off panel backwards to gain access for the following steps.
3. Install the four U-Clip Speed Nuts ⑱ onto the mid cab frame plate behind the rear close off panel, over four of the same holes that the push-pin rivets were removed from.

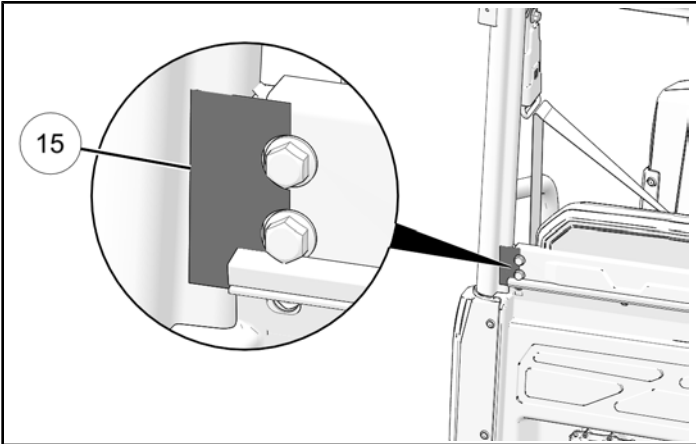




4. Peel the adhesive backing from the rear close out cab frame seal ④, then insert the seal onto the back of the mid cab frame plate above the holes.

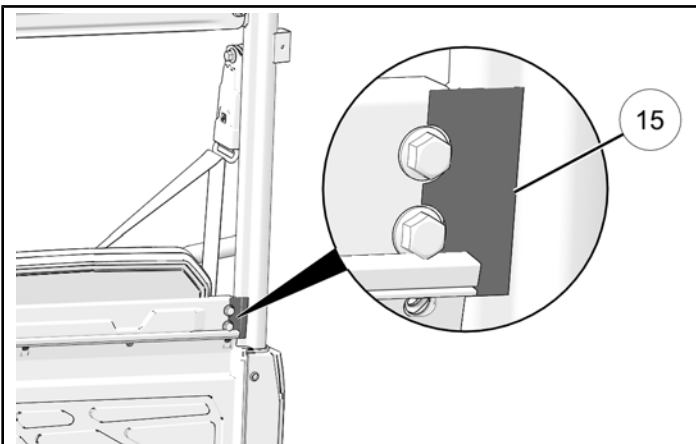


5. Identify the installation location on the LH side of vehicle for C-pillar seal ⑮. Clean installation surface as required.



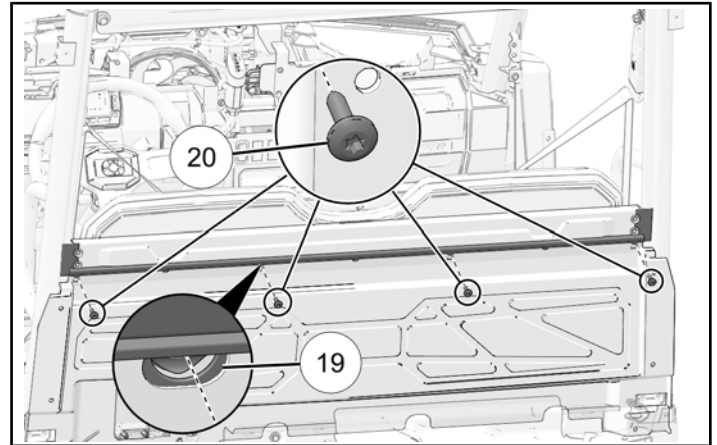
6. Peel the adhesive backing from the seal, then insert the seal onto the back of the rear cab frame tube and the mid-cab frame plate.

7. Identify the installation location on the RH side of vehicle for C-pillar seal ⑮. Clean installation surface as required.

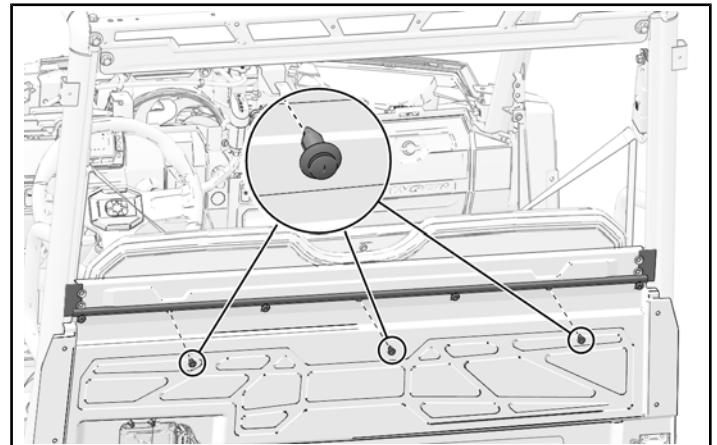


8. Peel the adhesive backing from the seal, then insert the seal onto the back of the rear cab frame tube and the mid-cab frame plate.

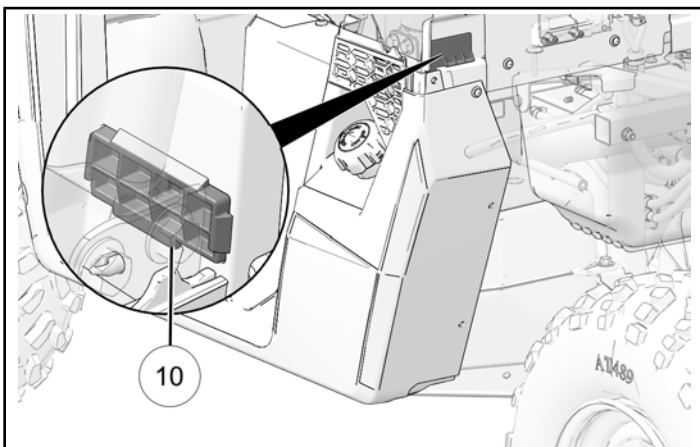
9. Install the four screws ⑳ into the four U-Clip Speed Nuts ⑲. Tighten until fully seated.



10. Install the three retained push-pin rivets into the back of the rear close off panel.



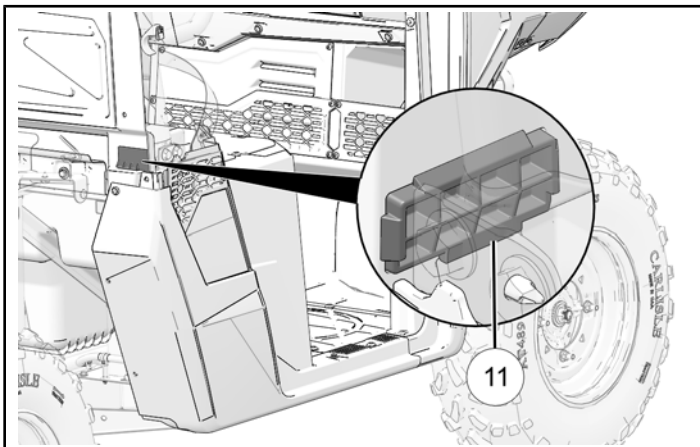
11. Identify the installation location on the LH side of vehicle for LH rubber grommet ⑩. Clean installation surface as required. Install grommet through the LH side of the rear close off panel.



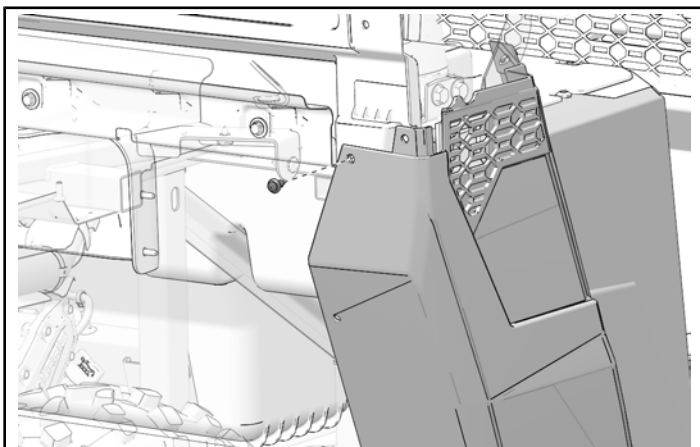
**NOTICE**

Grommet comes in LH and RH parts; make sure the proper part is used.

12. Identify the installation location on the RH side of vehicle for RH rubber grommet ⑪. Clean installation surface as required. Install grommet through the RH side of the rear close off panel.



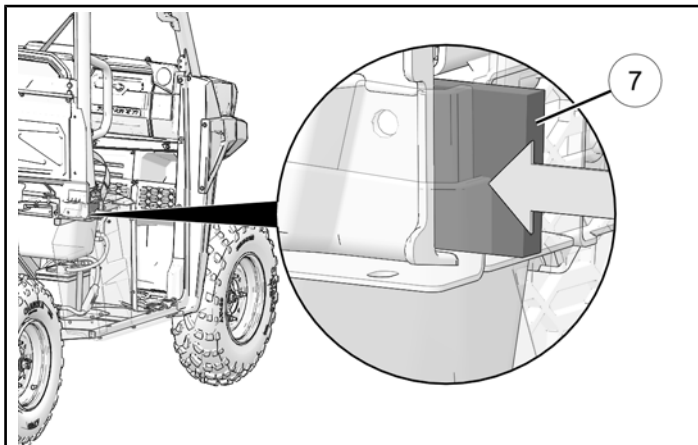
13. Remove and keep one push-pin rivet from the RH lower rocker panel.



14. Pull back the lower rocker panel to gain access, and insert the rocker foam ⑦ between the rear close off panel and the seat frame.

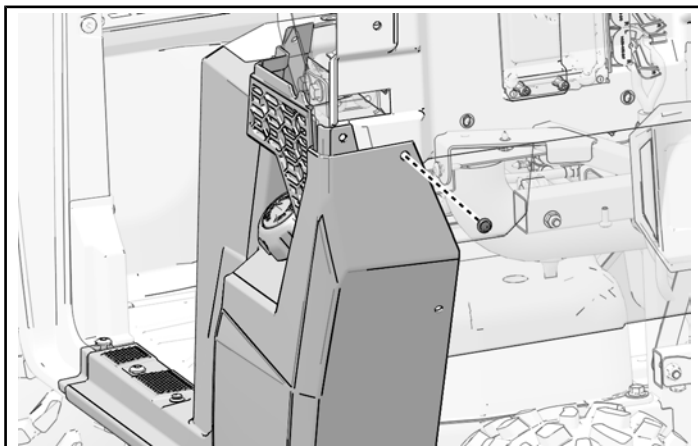
**NOTICE**

The lower rocker panel is hidden for image clarity.



15. Install the one push-pin rivet back into the RH lower rocker panel.

16. Remove and keep one push-pin rivet from the LH lower rocker panel.

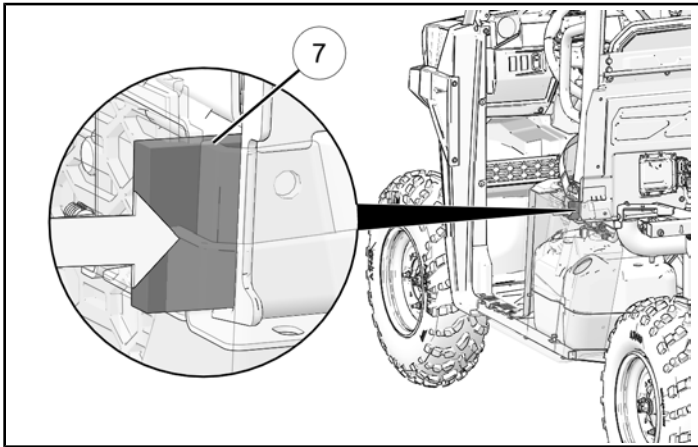




17. Pull back the lower rocker panel to gain access, and insert the rocker foam ⑦ between the rear close off panel and the seat frame.

**NOTICE**

The lower rocker panel is hidden for image clarity.



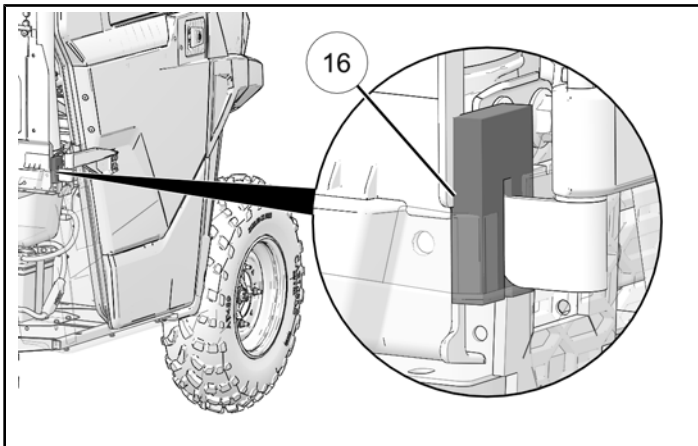
18. Install the one push-pin rivet back into the LH lower rocker panel.

**DOOR SEALS**

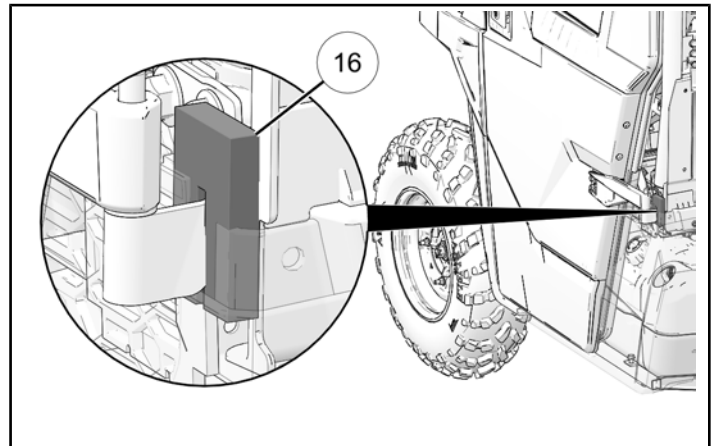
**NOTICE**

You must install the doors before you install the door hinge foam ⑯ pieces.

1. Identify the installation location on the RH side of vehicle for the door hinge foam ⑯. Clean installation surface as required. Slide the foam over the door hinge bracket.



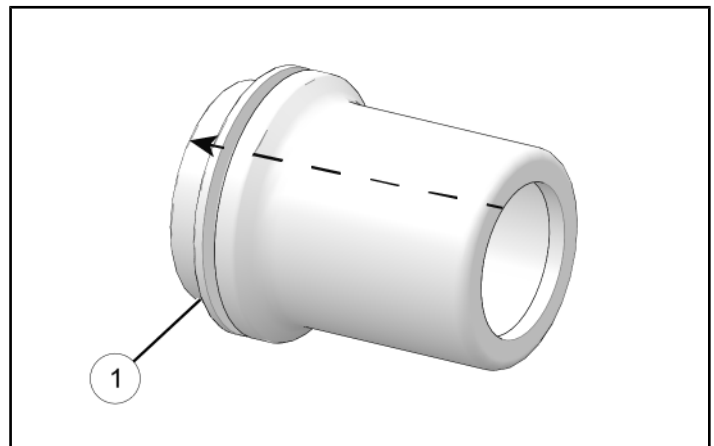
2. Identify the installation location on the LH side of vehicle for the door hinge foam ⑯. Clean installation surface as required. Slide the foam over the door hinge bracket.



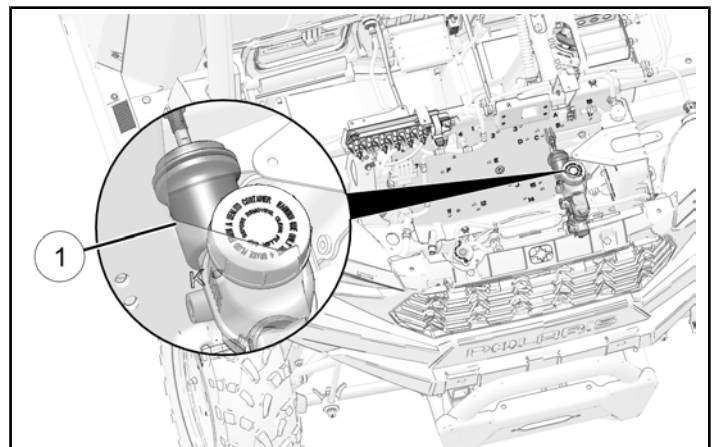
3. Repeat steps on the additional two doors (multi-passenger vehicles only).

**BRAKE CYLINDER GROMMET**

1. Using a utility knife or side cutter, cut the brake cylinder grommet ① from front to back.



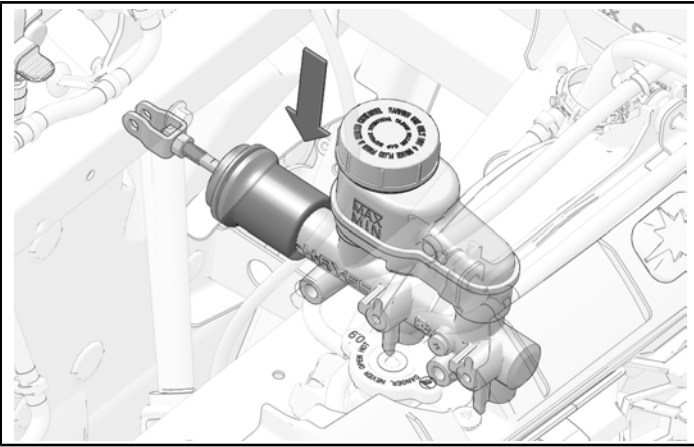
2. Identify the installation location on the brake cylinder for the brake cylinder grommet ①. Clean installation surface as required.



3. With the slit side facing downward, slide the grommet over the top of the brake cylinder shaft.

#### NOTICE

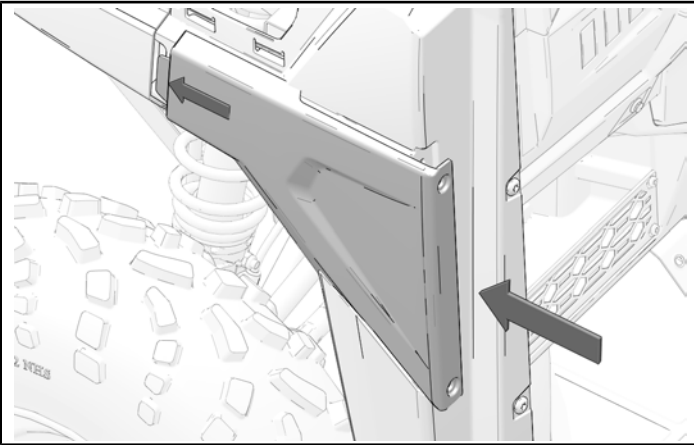
Make sure the plastic firewall fits inside the groove of the brake cylinder grommet to create a proper seal.



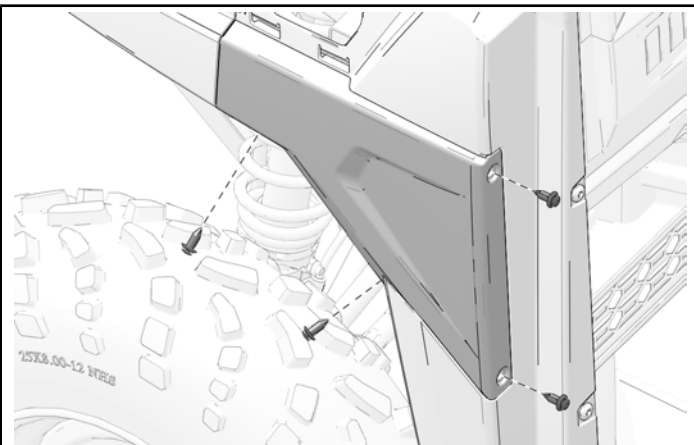
### VEHICLE REASSEMBLY

#### LEFT-HAND SIDE ACCESS PANEL INSTALLATION

1. Put side access panel into installed position.

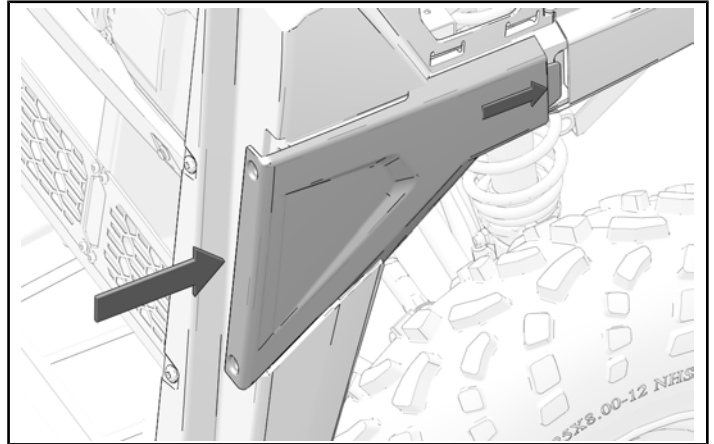


2. Install side access panel with four retained push-pin rivets.

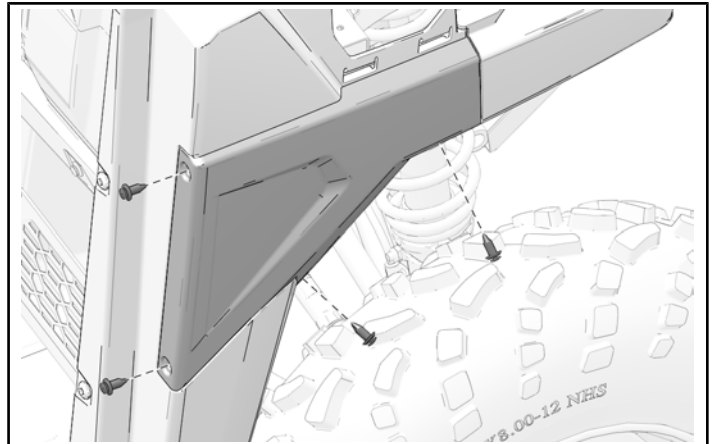


#### RIGHT-HAND SIDE ACCESS PANEL INSTALLATION

1. Put side access panel into installed position.

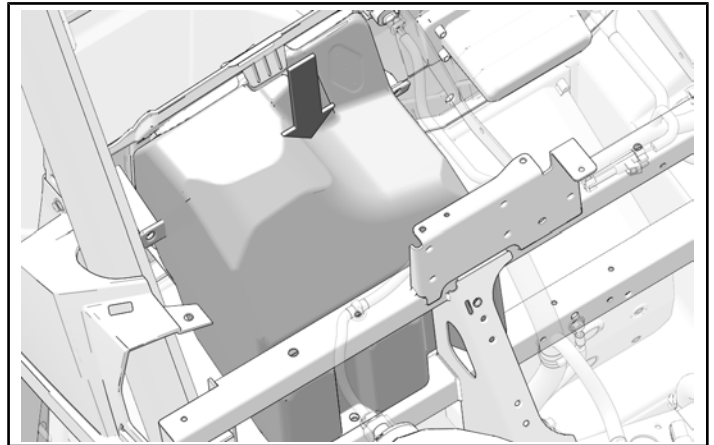


2. Install side access panel with four retained push-pin rivets.

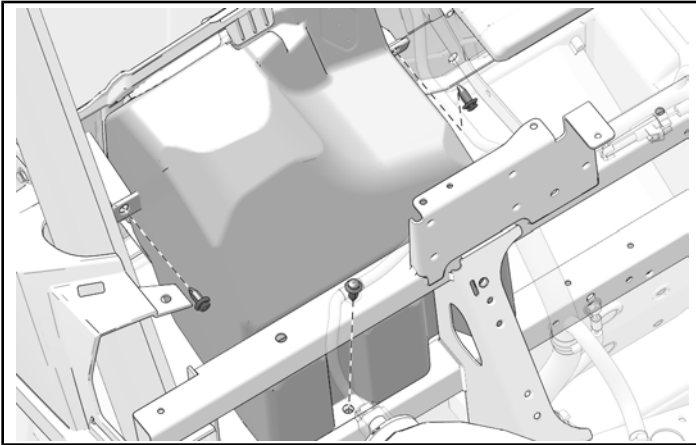


#### GLOVE BOX INSTALLATION

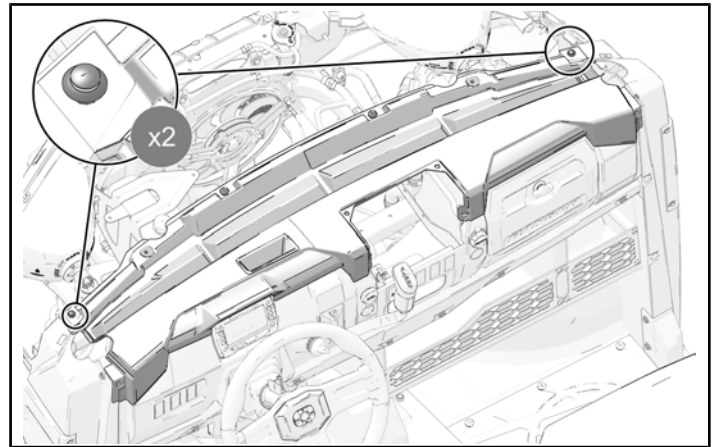
1. Put glove box in vehicle.



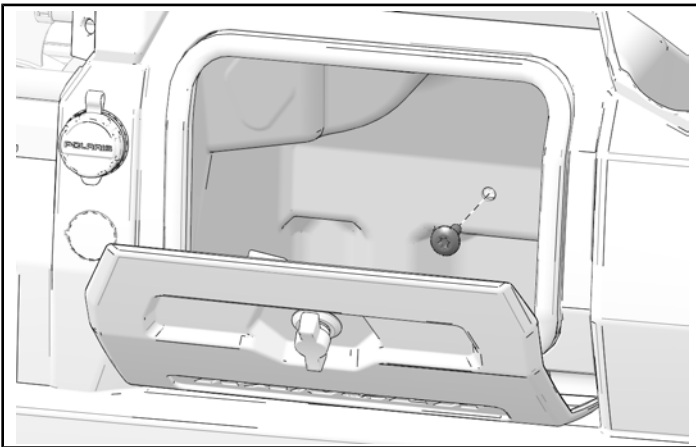
2. Install glove box with three retained push-pin rivets.



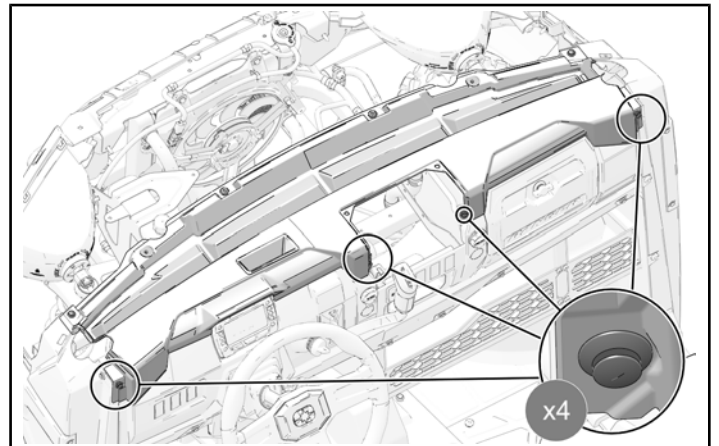
2. Install two retained push-pin rivets into front edge of upper dashboard.



3. Open glove box and install one screw. Tighten until fully seated.



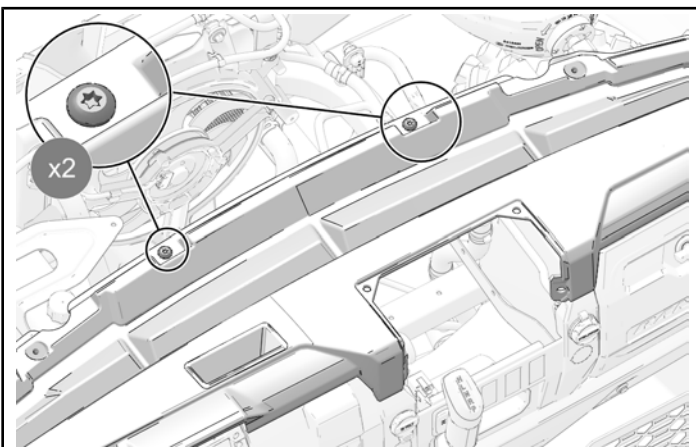
3. Install four retained push-pin rivets into rear face of upper dashboard.



### UPPER DASHBOARD INSTALLATION

1. Loosely install upper dashboard with two retained screws.

Do not torque screws at this time.



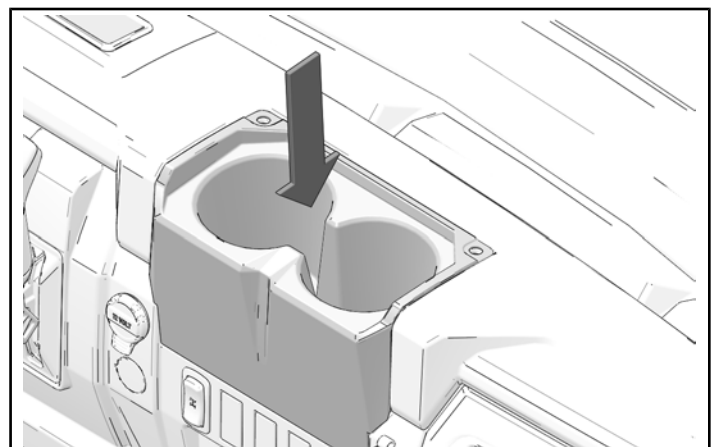
4. Torque two upper dashboard screws to specification.

#### TORQUE

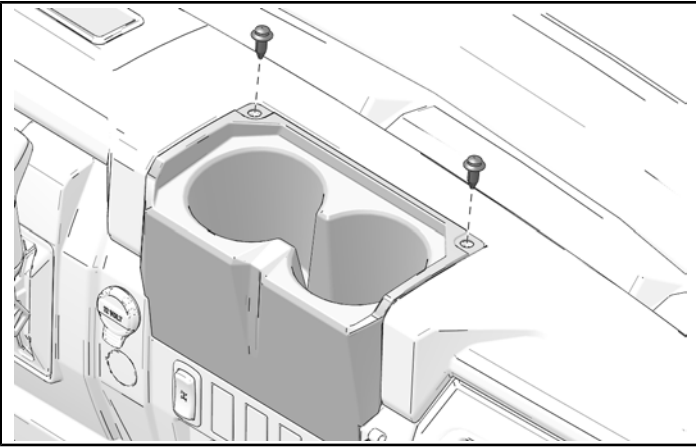
Upper Dashboard Screws:  
44 in-lbs (5.0 N·m)

### CUP HOLDER INSTALLATION

1. Put cup holder in vehicle.

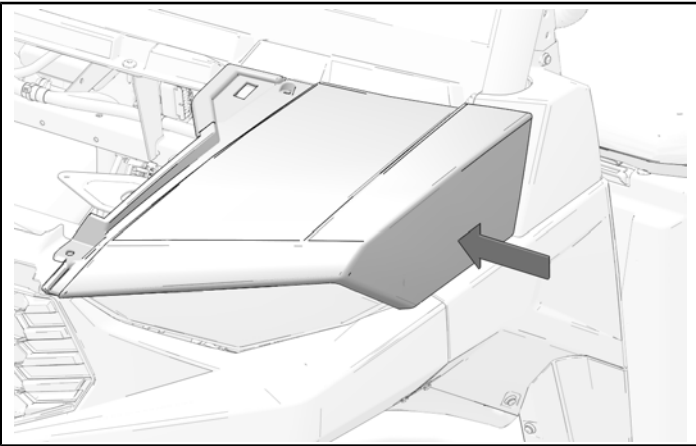


2. Install cup holder with two retained push-pin rivets.

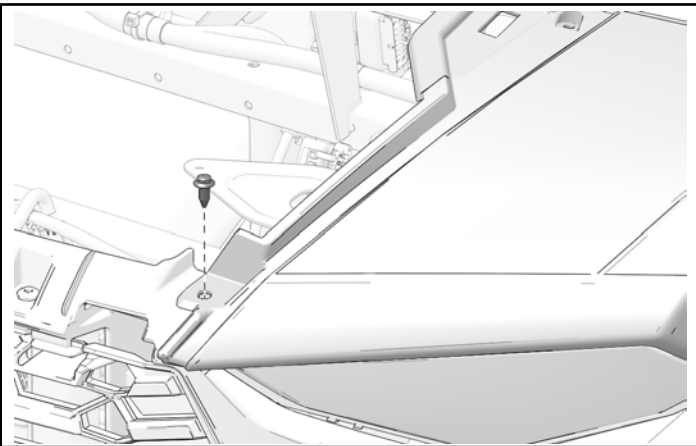


### **LEFT-HAND HOOD INSTALLATION**

1. Put outer hood in installed position.



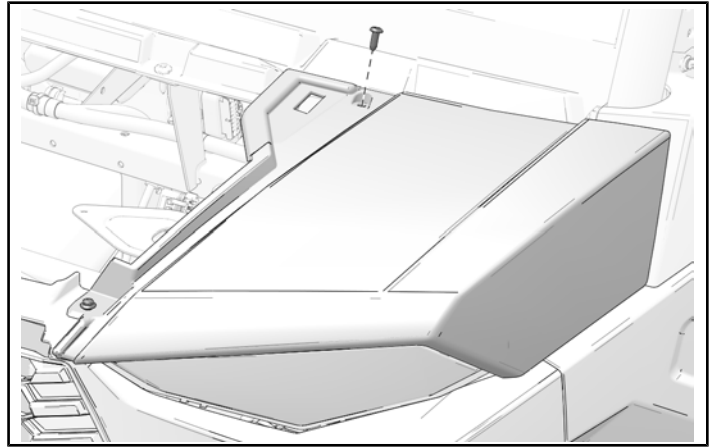
2. Attach front of outer hood with one push-pin rivet.



3. Attach rear of outer hood with one retained screw. Torque outer hood screws to specification.

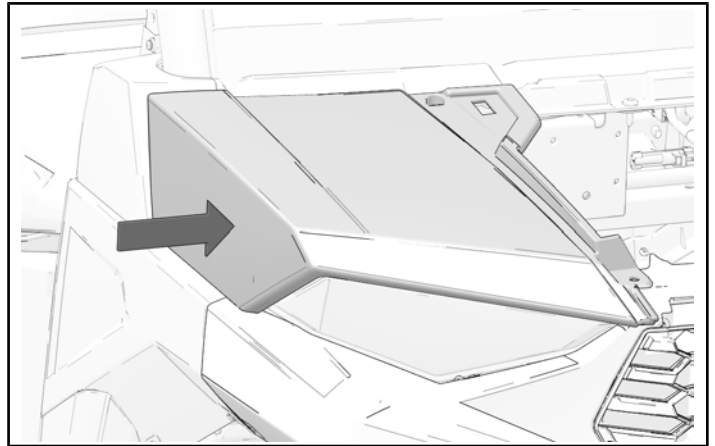
### **TORQUE**

Outer Hood Screw:  
**22 in-lbs (2.5 N·m)**

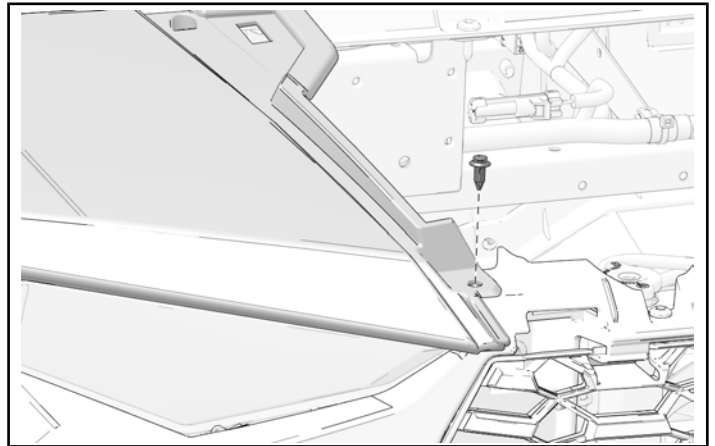


### **RIGHT-HAND HOOD INSTALLATION**

1. Put outer hood in installed position.



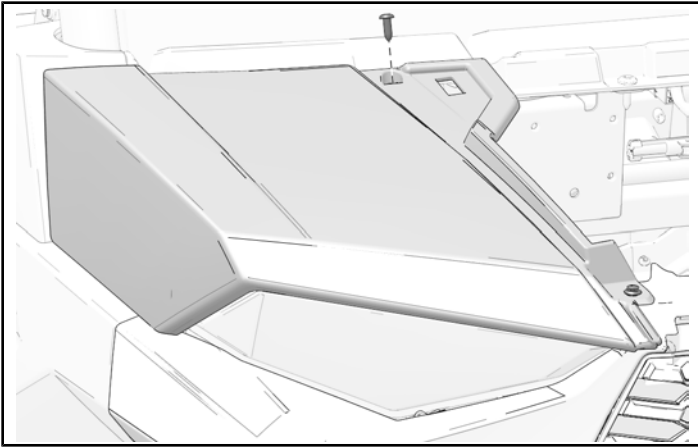
2. Attach front of outer hood with one push-pin rivet.



3. Attach rear of outer hood with one retained screw. Torque outer hood screws to specification.

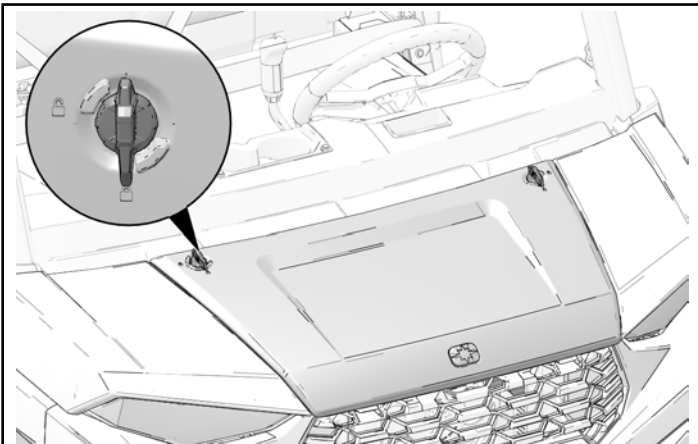
### TORQUE

Outer Hood Screw:  
**22 in-lbs (2.5 N·m)**



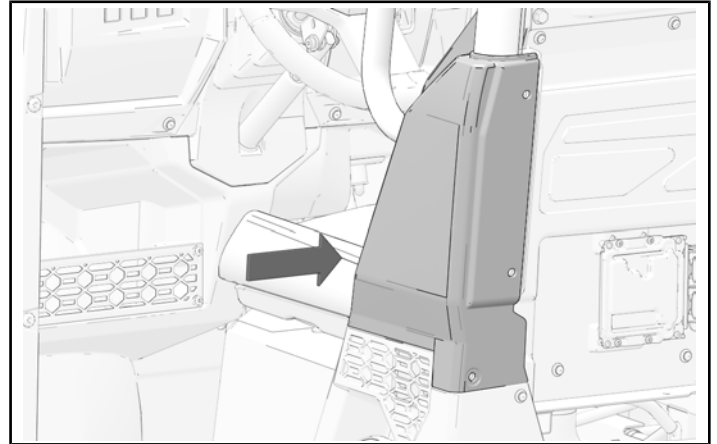
### HOOD INSTALLATION

1. Align hood with vehicle and turn two quarter-turn fasteners to lock position to install hood.



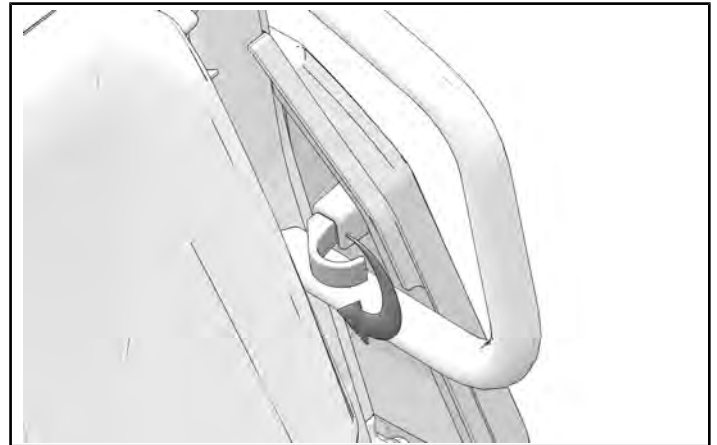
### LEFT-HAND UPPER ROCKER PANEL INSTALLATION

1. Put upper rocker panel in installed position.

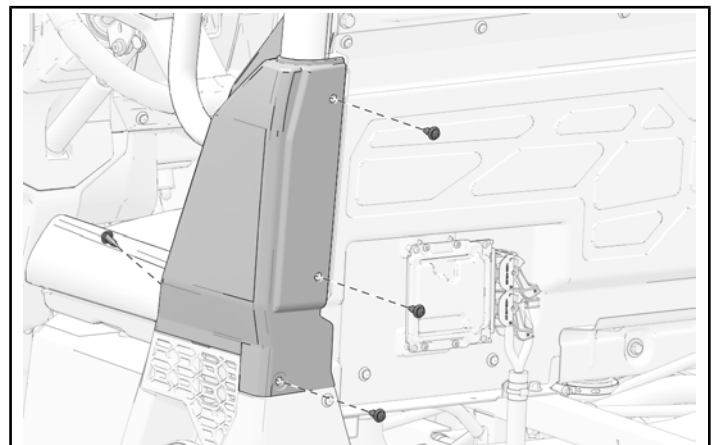


2. Rotate hook over bolster tube.

Do not torque screw at this time.

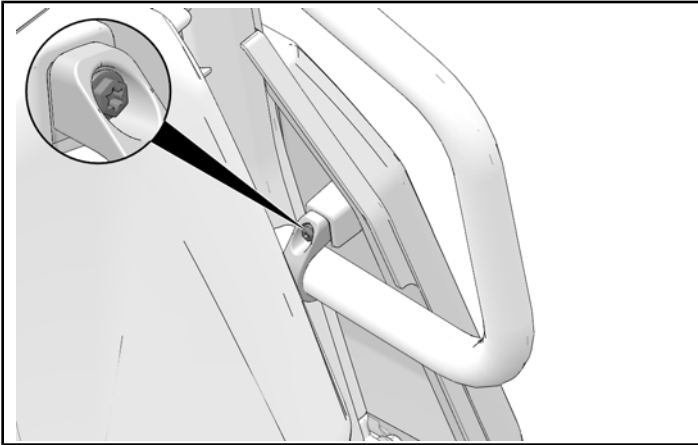


3. Install upper rocker panel with four retained push-pin rivets.

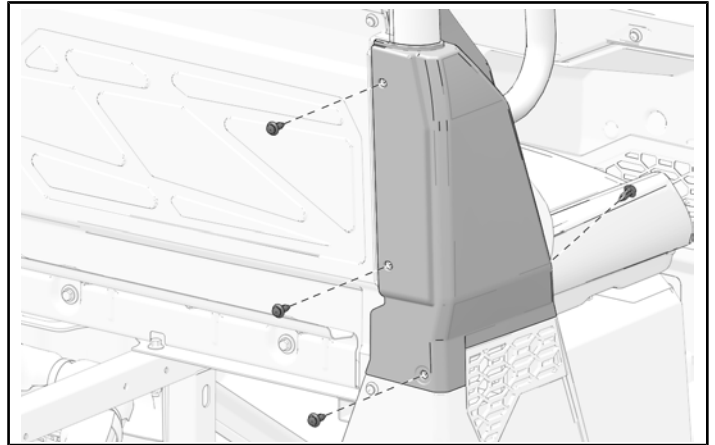




4. Tighten screw in retaining hook until it is fully seated.

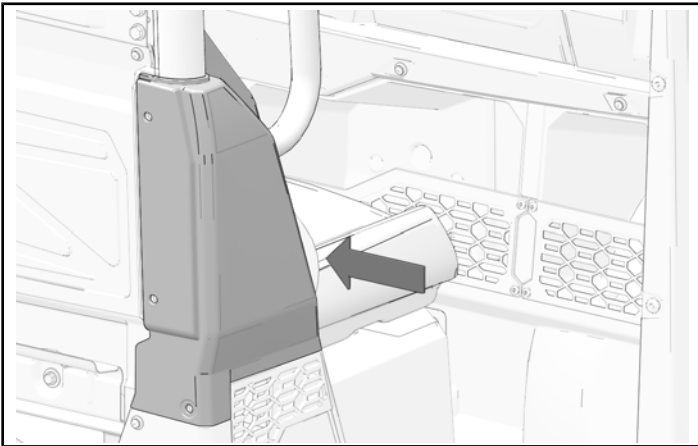


3. Install upper rocker panel with four retained push-pin rivets.



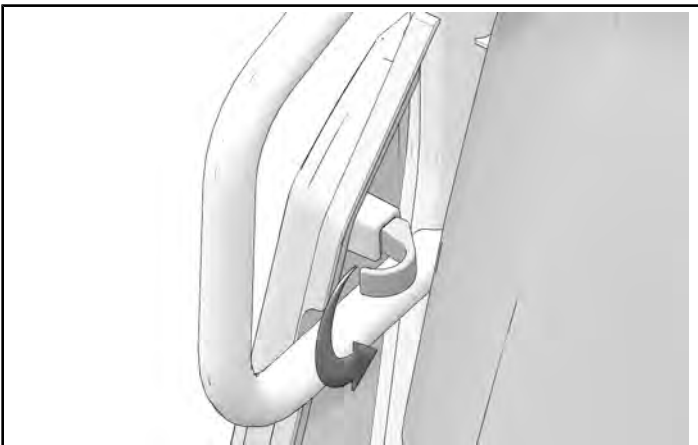
### **RIGHT-HAND UPPER ROCKER PANEL INSTALLATION**

1. Put upper rocker panel in installed position.

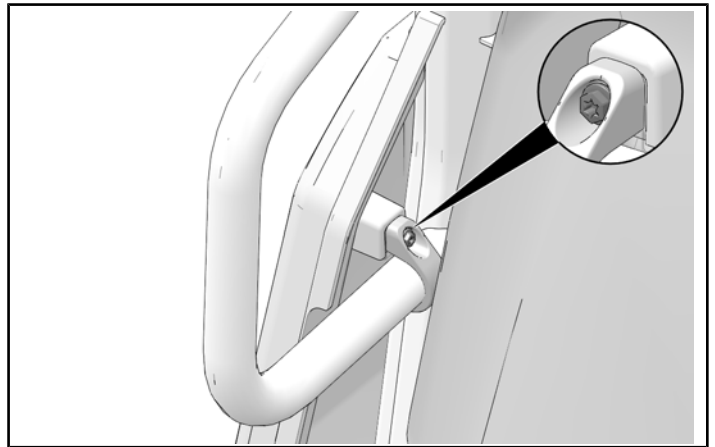


2. Rotate hook over bolster tube.

Do not torque screw at this time.

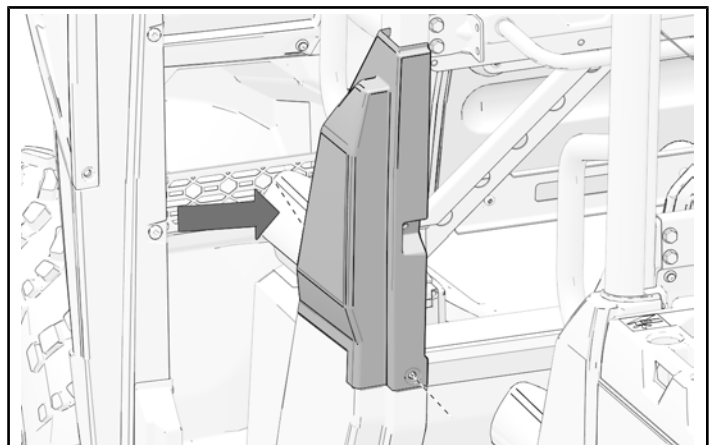


4. Tighten screw in retaining hook until it is fully seated.



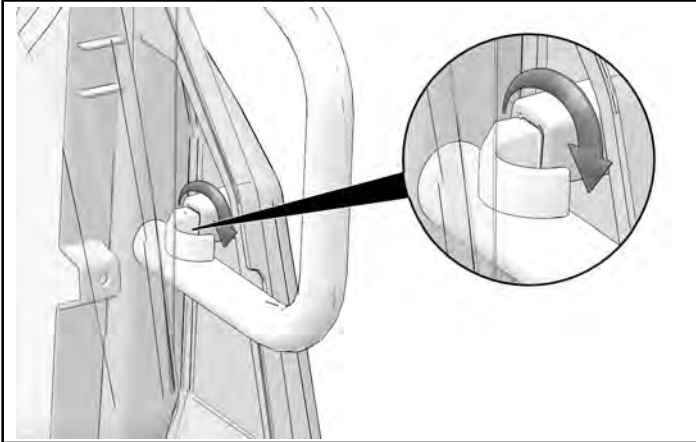
### **LEFT-HAND ROPS PILLAR COVER INSTALLATION (MULTI-PASSENGER VEHICLES ONLY)**

1. Put ROPS pillar cover in installed position.

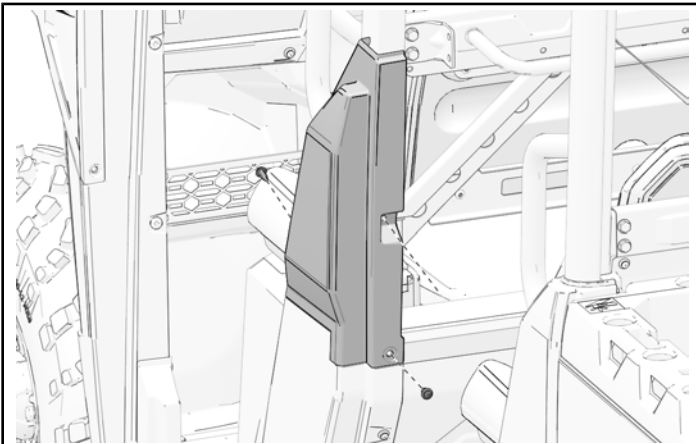


2. Rotate hook over bolster tube.

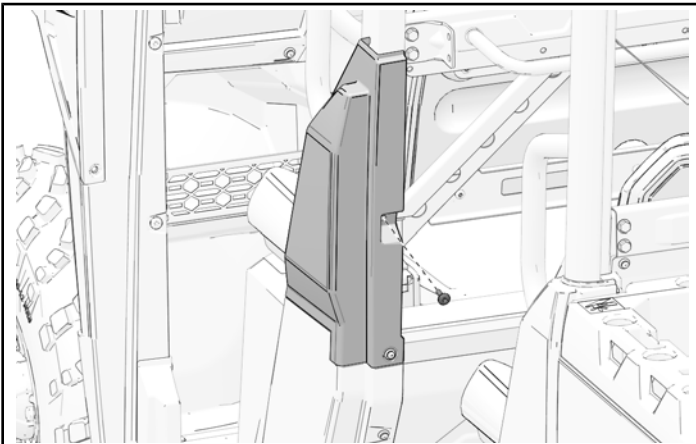
Do not torque screw at this time.



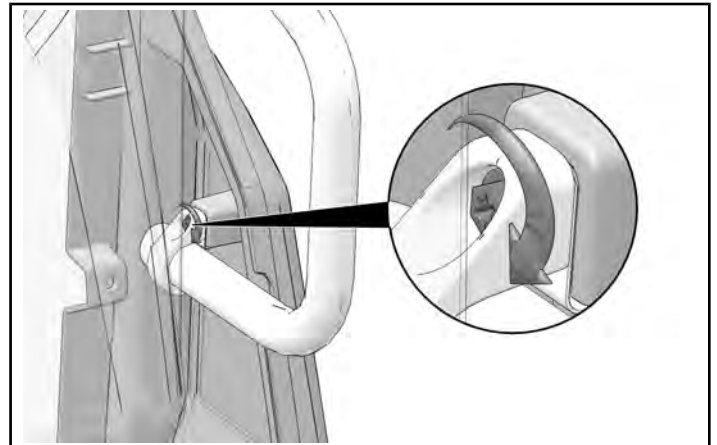
3. Install bottom of ROPS pillar cover with two retained push-pin rivets.



4. Install middle of ROPS pillar cover with one retained screw.

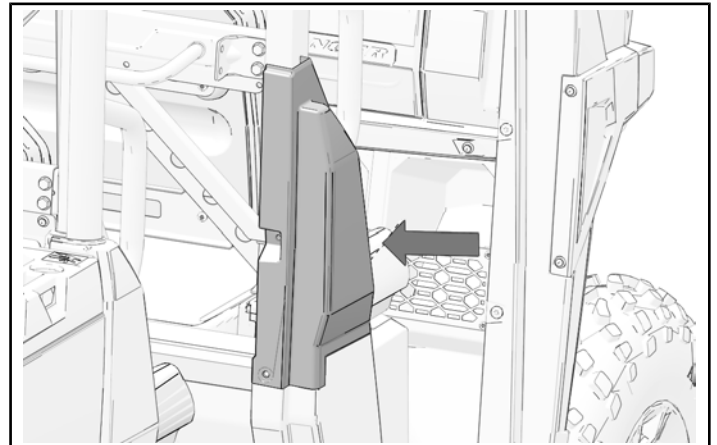


5. Tighten screw in retaining hook until it is fully seated.



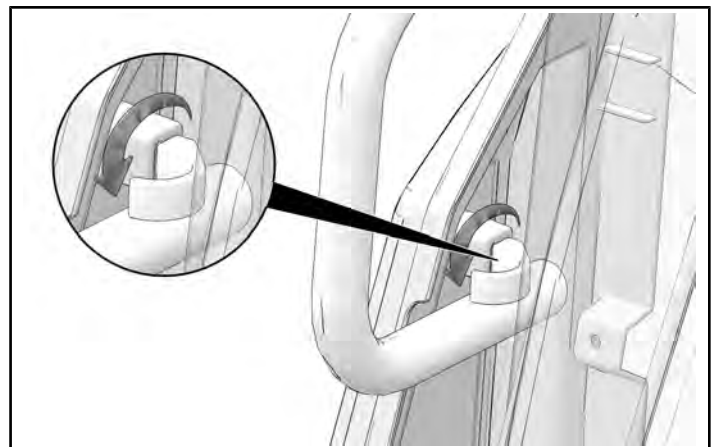
### **RIGHT-HAND ROPS PILLAR COVER INSTALLATION (MULTI-PASSENGER VEHICLES ONLY)**

1. Put ROPS pillar cover in installed position.



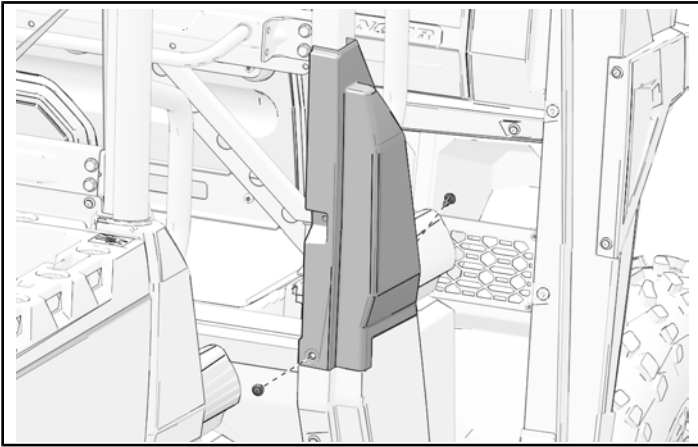
2. Rotate hook over bolster tube.

Do not torque screw at this time.

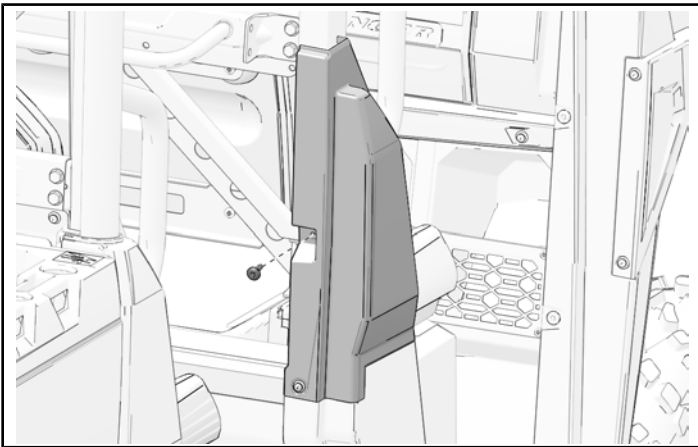




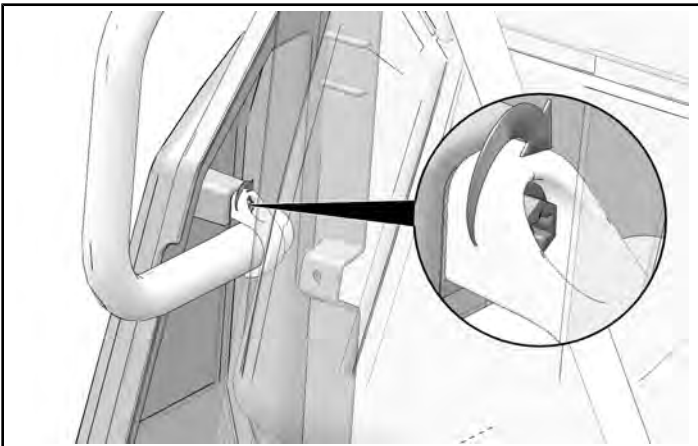
3. Install bottom of ROPS pillar cover with two retained push-pin rivets.



4. Install middle of ROPS pillar cover with one retained screw.

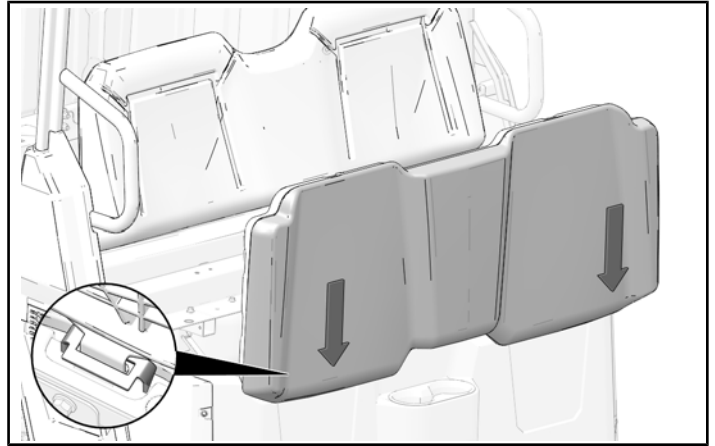


5. Tighten screw in retaining hook until it is fully seated.

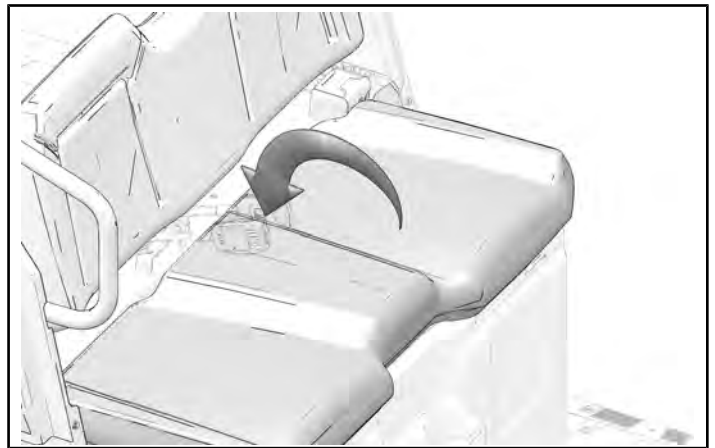


## **SEAT INSTALLATION**

1. Align tabs of seat with hinge brackets.



2. Rotate seat to closed position.



## **GENERAL**

1. Install all cab accessories (if equipped):
  - Roof
  - Windshield
  - Rear Panel
  - etc.

## INSTRUCTION FEEDBACK FORM

A feedback form has been created for the installer to provide any comments, questions or concerns about the installation instructions. The form is viewable on mobile devices by scanning the QR code or by clicking [HERE](#) if viewing on a PC.

