

# HORN KIT



P/N 2889160

## BEFORE YOU BEGIN

Read these instructions and check to be sure all parts and tools are accounted for. Please retain these installation instructions for future reference and parts ordering information.

## APPLICATION

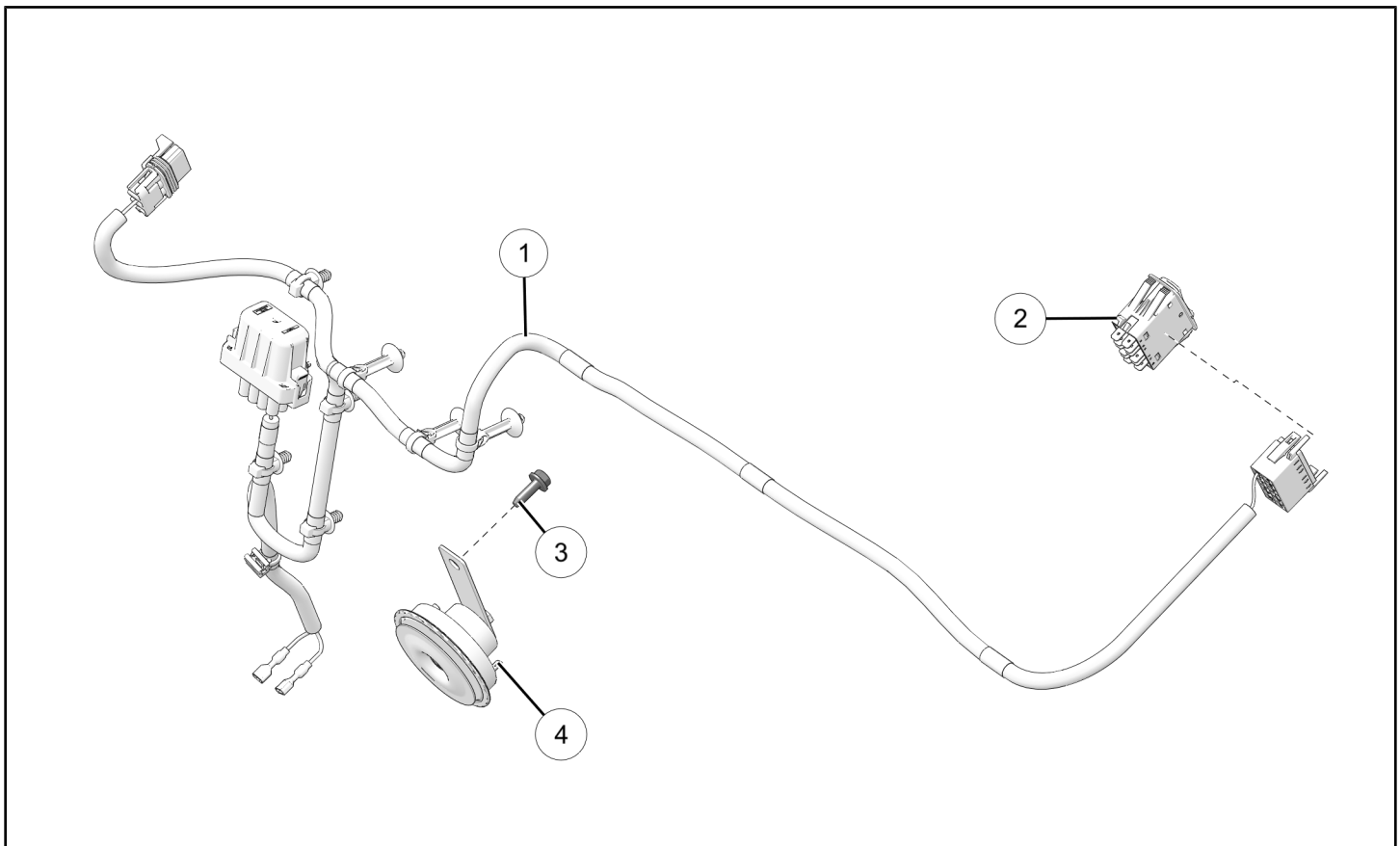
Verify accessory fitment at [www.polaris.com](http://www.polaris.com).

## REQUIRED SOLD SEPARATELY

Only parts for installation of the Horn Kit are included. Prior installation of the Polaris Pulse® bar is required (factory-installed or sold separately):

- Polaris Pulse® Bar Kit, P/N 2889185

## KIT CONTENTS



REF	QTY	PART DESCRIPTION	P/N AVAILABLE SEPARATELY
1	1	Harness–Horn	2415961
2	1	Switch–Horn	4017130
3	1	Screw–Hex Head Flange, M6 x 1.0 x 20 mm	7518529
4	1	Horn	4011579

## TOOLS REQUIRED

- Safety Glasses
- Cutting Tool
- Deburring Tool
- Socket Set, Metric
- Torque Wrench

## IMPORTANT

Your Horn Kit is exclusively designed for your vehicle. Please read the installation instructions thoroughly before beginning. Installation is easier if the vehicle is clean and free of debris. For your safety, and to ensure a satisfactory installation, perform all installation steps correctly in the sequence shown.

## INSTALLATION INSTRUCTIONS

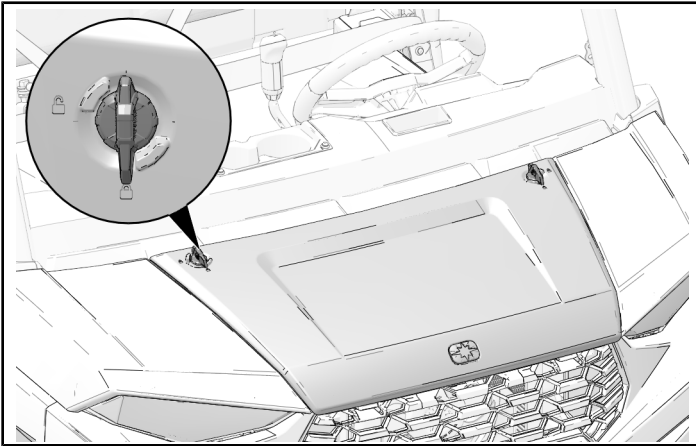
### VEHICLE PREPARATION

#### GENERAL

1. Park vehicle on a flat surface.
2. Shift vehicle into PARK.
3. Turn key to OFF position and remove key.

#### HOOD REMOVAL

1. Turn two quarter-turn fasteners to unlock position to remove hood from vehicle.



### ACCESSORY INSTALLATION

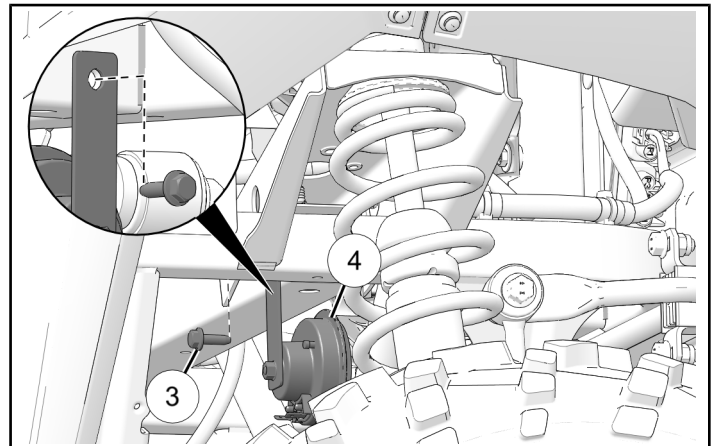
1. Align horn ④ with chassis and install with one screw ③. Torque screw to specification.

#### TIP

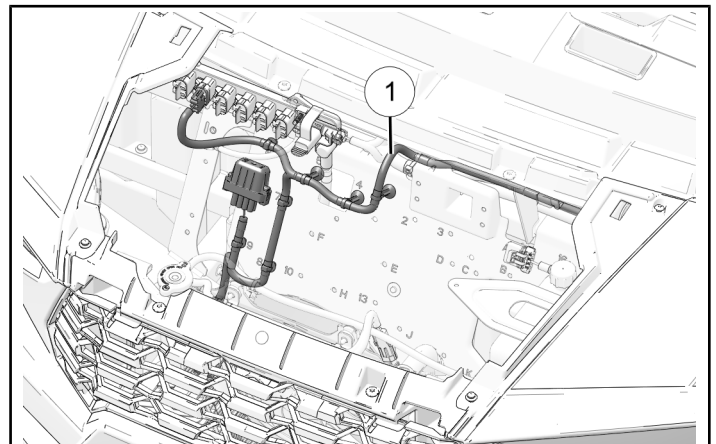
View from front-right wheel well.

#### TORQUE

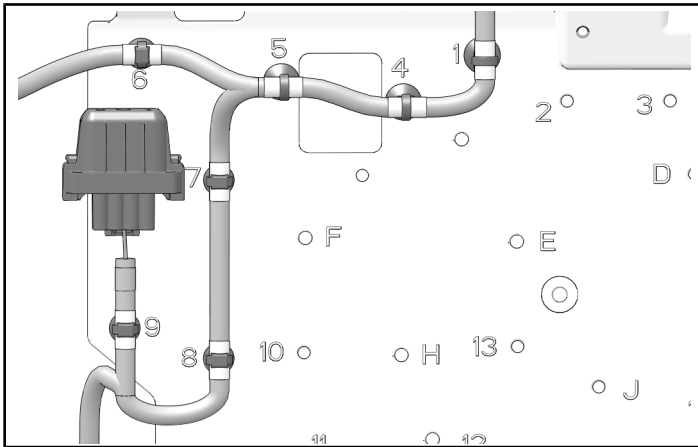
Horn Bracket Screw ③:  
**71 in-lbs (8 N·m)**



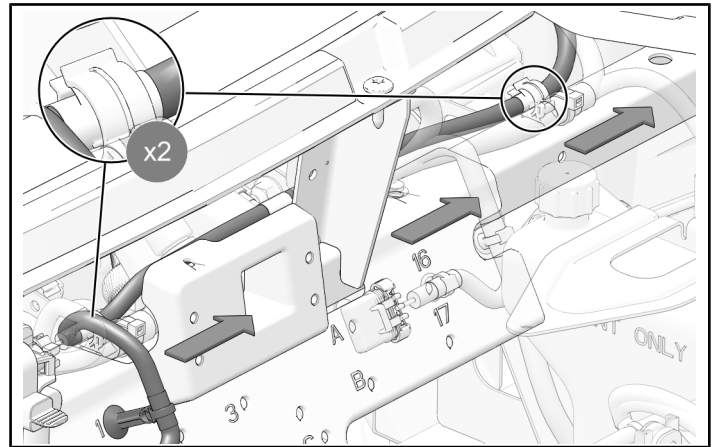
2. Put horn harness ① in vehicle.



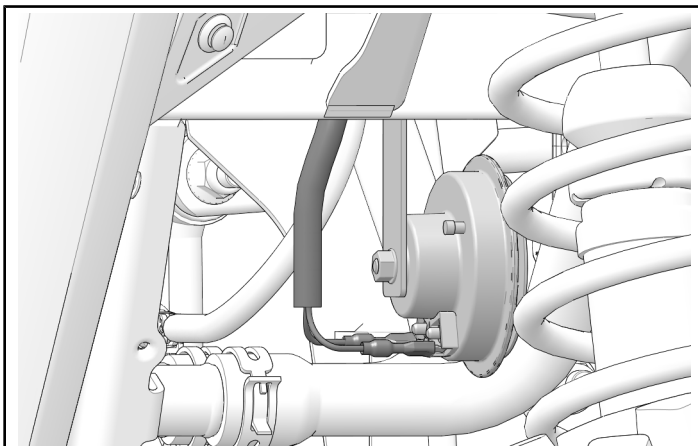
- Attach fuse relay box and harness push-darts into panel, as shown.



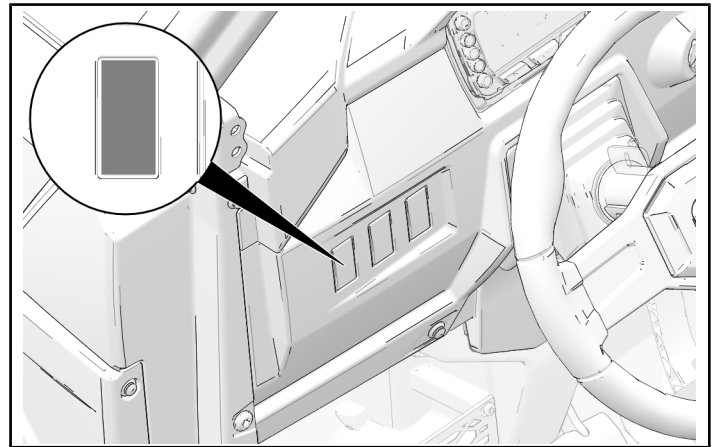
- Route horn harness towards driver's side. Put harness into clips at taped locations.



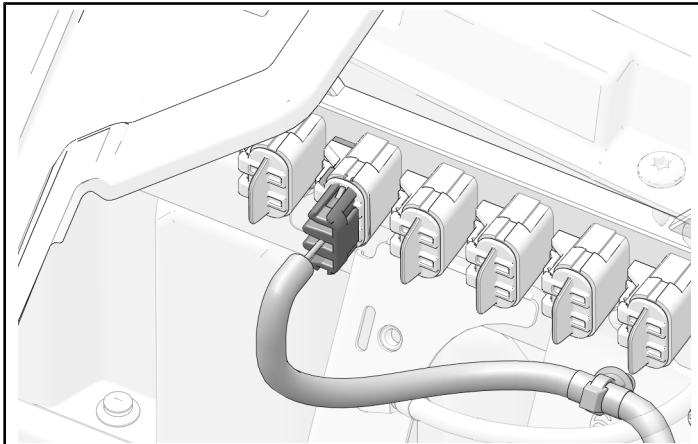
- Route two horn connectors down towards horn and install into back of horn assembly. Attach excess harness to chassis with edge-clips.



- Cut out one switch blank along perimeter of switch blank.

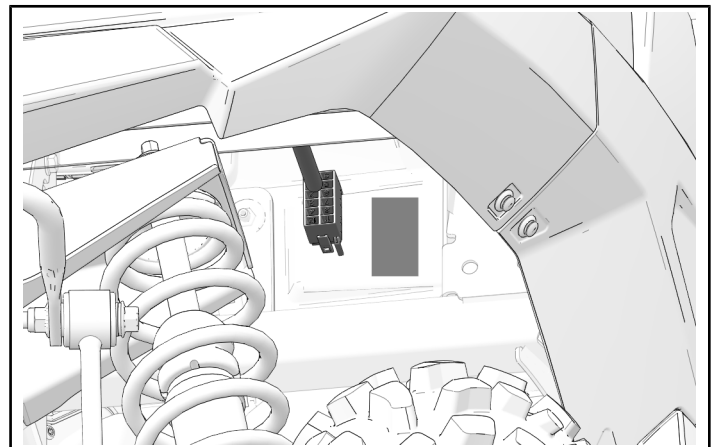


- Install connector into Polaris Pulse® bar.

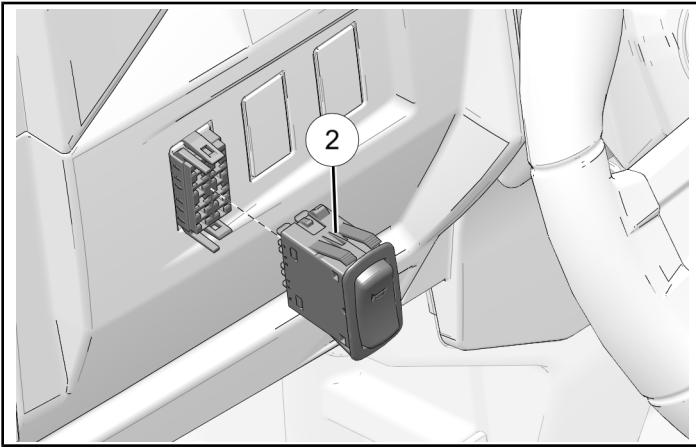


- Put switch connector through cut hole.

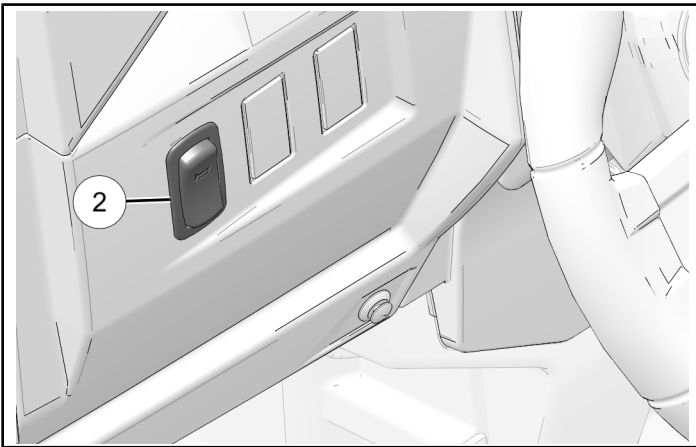
**TIP**  
View from front driver-side wheel well.



9. Install switch connector to horn switch ②.

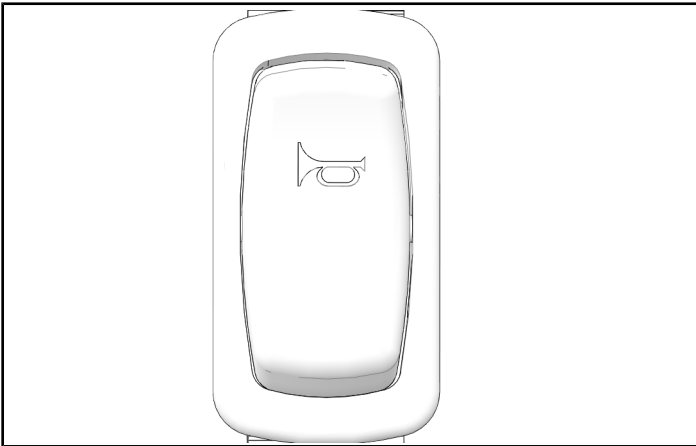


10. Put horn switch ② into opening and push until it snaps into place.



## OPERATION

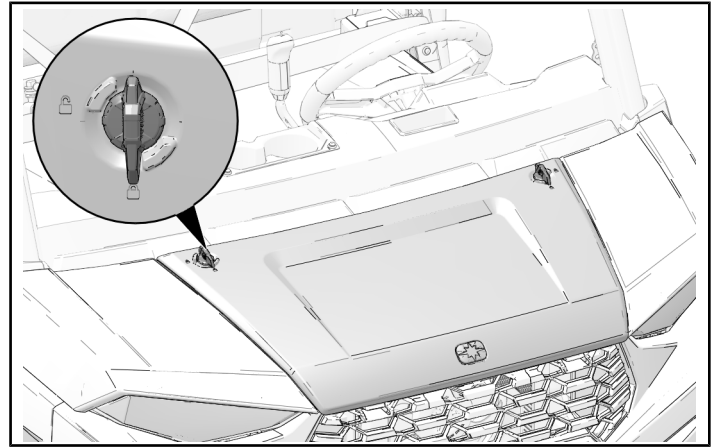
Push horn switch to activate horn.



## VEHICLE REASSEMBLY

### HOOD INSTALLATION

1. Align hood with vehicle and turn two quarter-turn fasteners to lock position to install hood.



## INSTRUCTION FEEDBACK FORM

A feedback form has been created for the installer to provide any comments, questions or concerns about the installation instructions. The form is viewable on mobile devices by scanning the QR code or by clicking [HERE](#) if viewing on a PC.

