

PLOW HOOK KIT



P/N 2889577

BEFORE YOU BEGIN

Read these instructions and check to be sure all parts and tools are accounted for. Please retain these installation instructions for future reference and parts ordering information.

APPLICATION

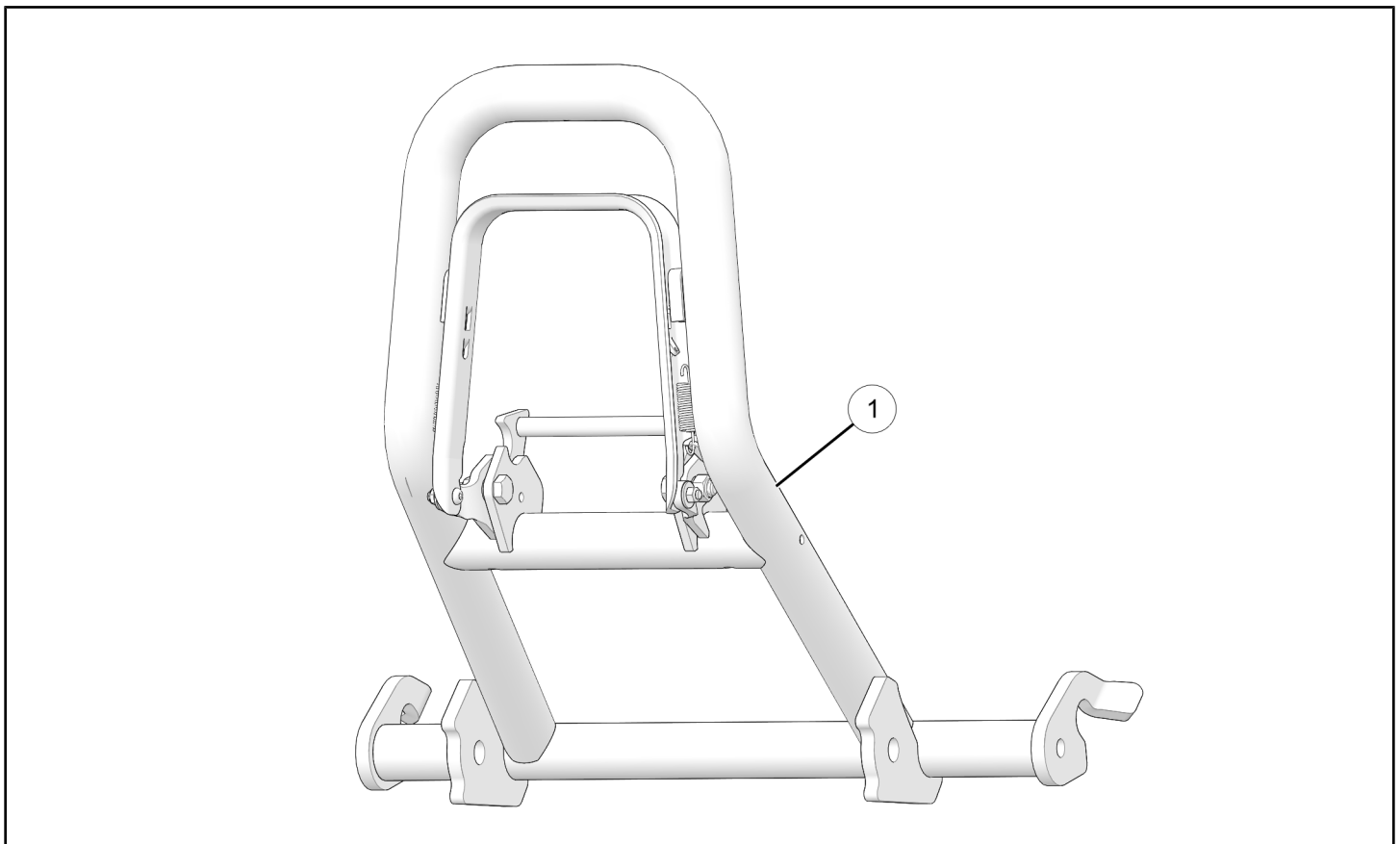
Verify accessory fitment at www.polaris.com.

REQUIRED SOLD SEPARATELY

Only parts for installation of the Plow Hook Kit are included. For complete installation, the following additional kits are required (sold separately):

ACCESSORY	INTEGRATED MOUNT + PUSH FRAME, P/N 2880260	ACCESSORY MOUNT + PUSH FRAME, P/N 2889307	ACCESSORY MOUNT + PUSH FRAME, P/N 2880260
Winch	n/a	P/N 2885095; 2885096	n/a
Plow Mount	n/a	P/N 2889195	P/N 2889195
Plow Hook, P/N 2889577	Required	Not Required	Required
Push Frame	P/N 2880260	P/N 2889307	P/N 2880260
Plow Blade	P/N 2880268	P/N 2880268	P/N 2880268

KIT CONTENTS



REF	QTY	PART DESCRIPTION	P/N AVAILABLE SEPARATELY
1	1	Plow Hook	n/a

TOOLS REQUIRED

None

IMPORTANT

Your Plow Hook Kit is exclusively designed for your vehicle. Please read the installation instructions thoroughly before beginning. Installation is easier if the vehicle is clean and free of debris. For your safety, and to ensure a satisfactory installation, perform all installation steps correctly in the sequence shown.

INSTALLATION INSTRUCTIONS

VEHICLE PREPARATION

GENERAL

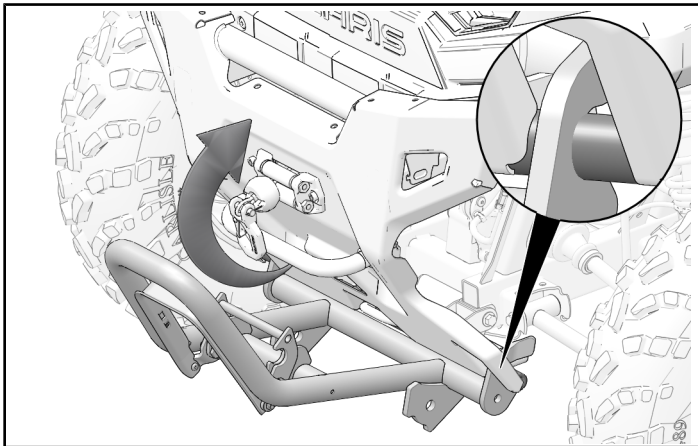
1. Park vehicle on a flat surface.
2. Shift vehicle into PARK.
3. Turn key to OFF position and remove key.

ACCESSORY INSTALLATION

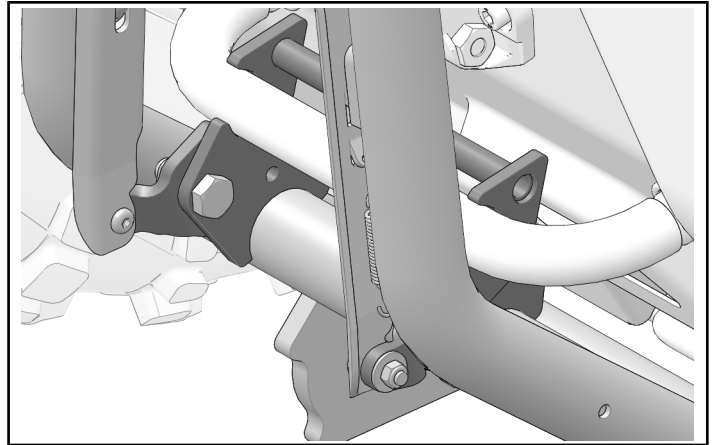
NOTICE

Integrated plow mount shown; accessory plow mount similar.

1. Put bottom of plow hook over tubes of plow mount and rotate hook upwards into installed position.



2. Close latch of plow hook over bumper tube, as shown.



INSTRUCTION FEEDBACK FORM

A feedback form has been created for the installer to provide any comments, questions or concerns about the installation instructions. The form is viewable on mobile devices by scanning the QR code or by clicking [HERE](#) if viewing on a PC.

