

# PLOW MOUNT KIT



P/N 2889195

## BEFORE YOU BEGIN

Read these instructions and check to be sure all parts and tools are accounted for. Please retain these installation instructions for future reference and parts ordering information.

## APPLICATION

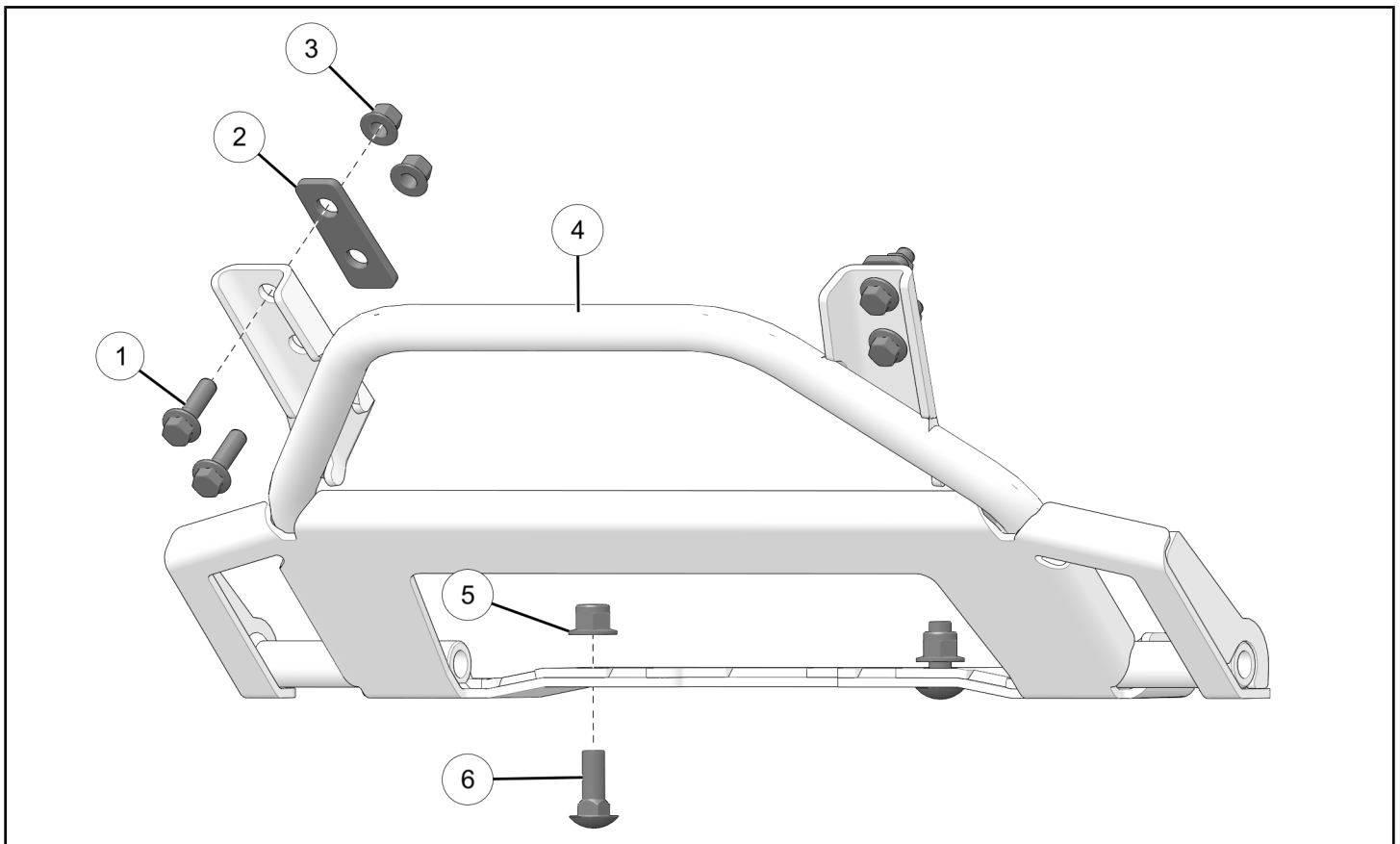
Verify accessory fitment at [www.polaris.com](http://www.polaris.com).

## REQUIRED SOLD SEPARATELY

Only parts for installation of the Plow Mount Kit are included. For complete installation, the following additional kits are required (sold separately):

ACCESSORY	PUSH FRAME, P/N 2889307	PUSH FRAME, P/N 2880260
Winch	n/a	P/N 2885095; 2885096
Plow Mount, P/N 2889195	Required	Required
Push Hook	n/a	P/N 2889577
Push Frame	P/N 2889307	P/N 2880260
Plow Blade	P/N 2880268	P/N 2880268

## KIT CONTENTS



REF	QTY	PART DESCRIPTION	P/N AVAILABLE SEPARATELY	AVAILABLE SERVICE KIT
1	4	Screw–Hex Flange, M10 x 1.5 x 35 mm	n/a	2209347
2	2	Plate–Plow Mount, Upper	5271379	n/a
3	4	Nut–Hex Flange, M10 x 1.5 mm	n/a	2209347
4	1	Bumper–Plow Mount	1026581	n/a
5	2	Nut–Hex Flange, M12 x 1.75 mm	n/a	2209347
6	2	Bolt–Carriage, M12 x 1.75 x 35 mm	n/a	2209347

## TOOLS REQUIRED

- Safety Glasses
- Socket Set, Metric
- Torque Wrench
- Wrench Set, Metric

## IMPORTANT

Your Plow Mount Kit is exclusively designed for your vehicle. Please read the installation instructions thoroughly before beginning. Installation is easier if the vehicle is clean and free of debris. For your safety, and to ensure a satisfactory installation, perform all installation steps correctly in the sequence shown.

## INSTALLATION INSTRUCTIONS

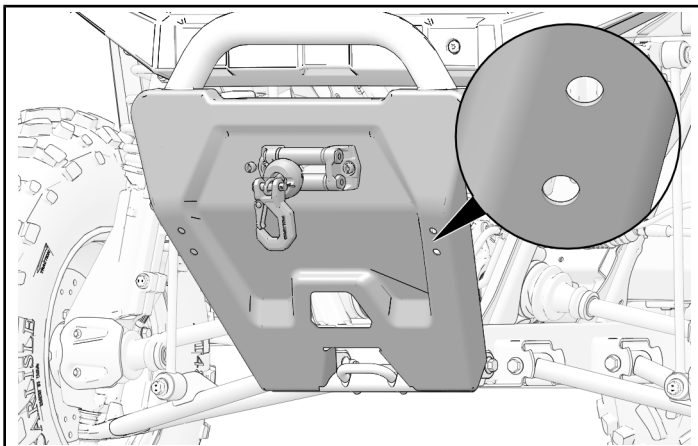
### VEHICLE PREPARATION

#### GENERAL

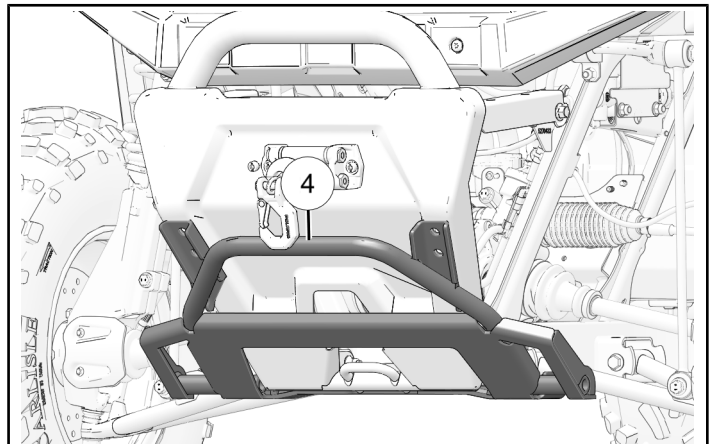
1. Park vehicle on a flat surface.
2. Shift vehicle into PARK.
3. Turn key to OFF position and remove key.

### ACCESSORY INSTALLATION

1. Find bumper mounting holes in bumper.



2. Align plow mount ④ with bumper.

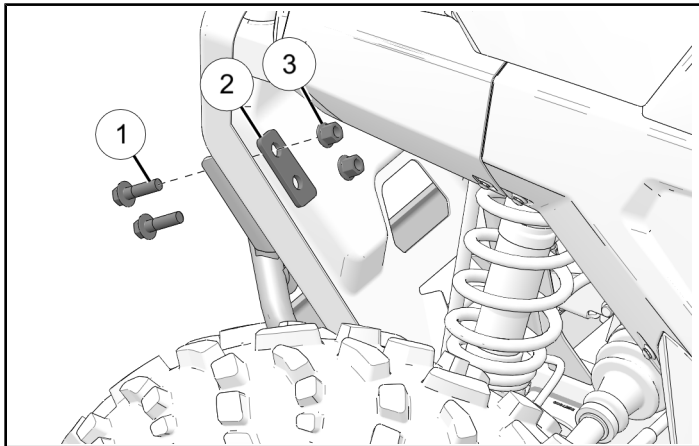


3. Put two screws ① through plow mount and bumper. Loosely install with mounting plate ② and two nuts ③ on the other side.

**NOTICE**

One side shown; other side similar.

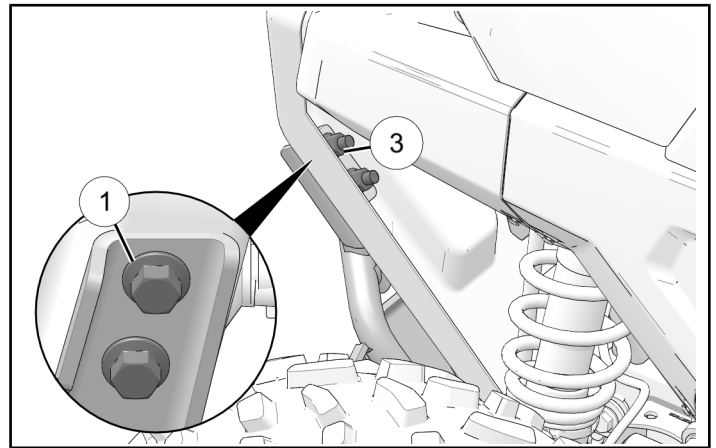
Do not torque screws at this time.



5. Counter-hold nuts ③ and torque screws ① to specification.

**TORQUE**

Front Mounting Screws ①:  
**33 ft-lbs (45 N·m)**



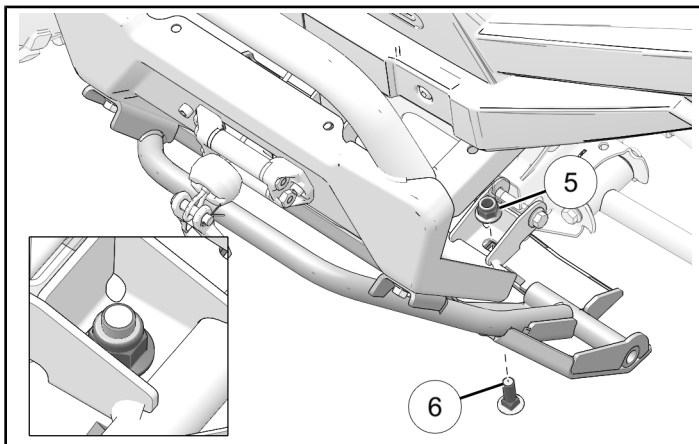
4. Install bottom of plow mount with one carriage bolt ⑥ and one nut ⑤. Torque two nuts to specification.

**NOTICE**

One side shown; other side similar.

**TORQUE**

Lower Mounting Nuts ⑤:  
**59 ft-lbs (80 N·m)**



## INSTRUCTION FEEDBACK FORM

A feedback form has been created for the installer to provide any comments, questions or concerns about the installation instructions. The form is viewable on mobile devices by scanning the QR code or by clicking [HERE](#) if viewing on a PC.

