

HEADACHE RACK KIT



P/N 2889538

MISSING OR DAMAGED PARTS

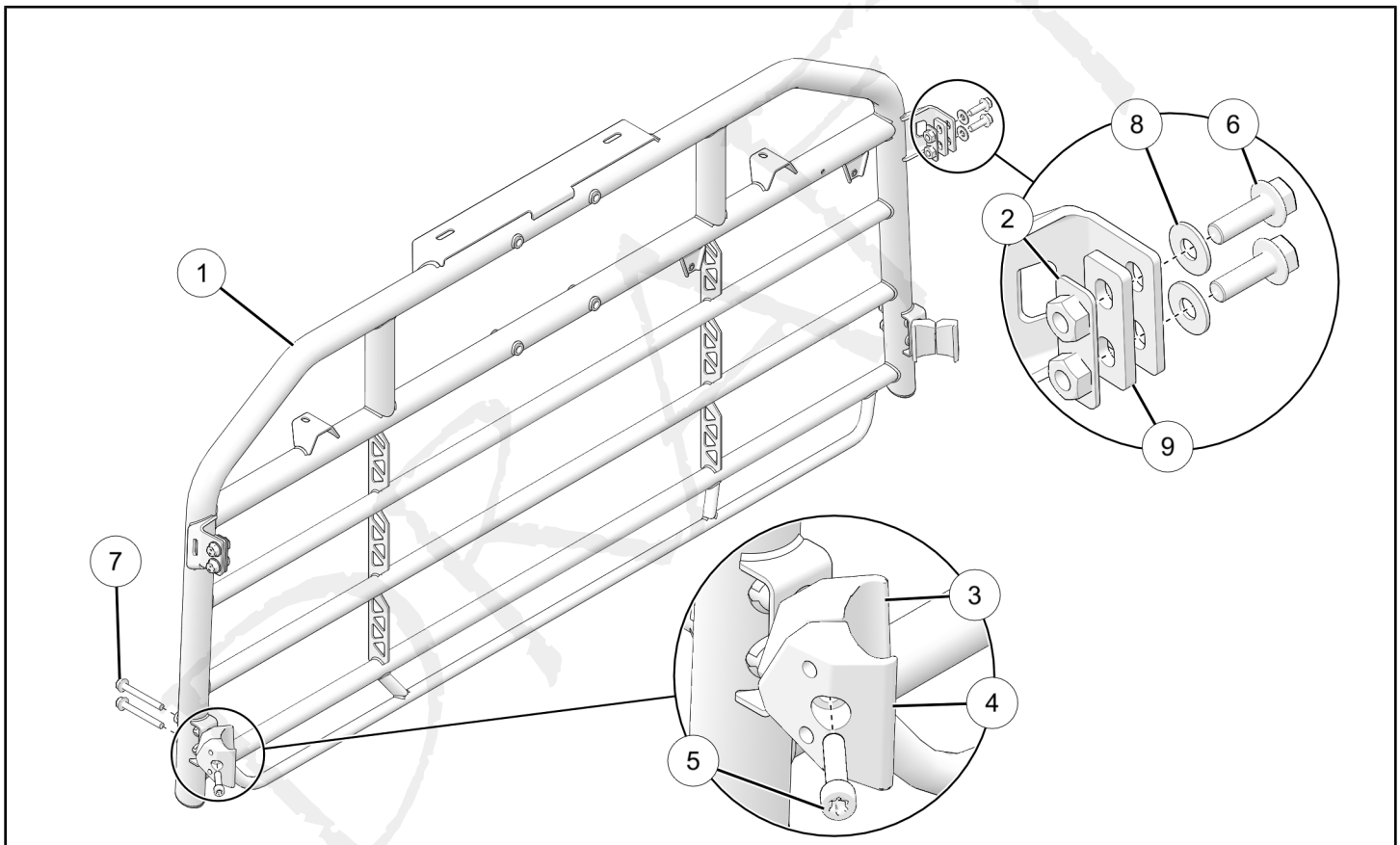
Before beginning assembly, inspect the kit and its component(s) to be sure all parts and tools are accounted for and not damaged. If missing parts or parts are damaged, please contact your Selling Dealer for assistance.

If your accessory was purchased online, please contact POLARIS® customer service at **1-800-POLARIS** (US & Canada only).

APPLICATION

Verify accessory fitment at www.polaris.com.

KIT CONTENTS



REF	QTY	PART DESCRIPTION	P/N AVAILABLE SEPARATELY
1	1	Headache Rack, Fixed	n/a
2	2	Hinge Plate	5256140
3	2	ROPS Clamp, Left	5639183
4	2	ROPS Clamp, Right	5639184
5	2	Screw, Torx®, M8 x 1.25 x 35 mm	7520817
6	4	Screw, Hex, Flange, M8 x 1.25 x 25 mm	7521332-25

REF	QTY	PART DESCRIPTION	P/N AVAILABLE SEPARATELY
7	4	Screw, Hex, Flange, M8 x 1.25 x 70 mm	7521332-70
8	4	Washer, 8.4 x 20.0 x 1.6 mm	7556969
9	2	Steel Spacer	n/a

TOOLS REQUIRED

- Safety Glasses
- Socket Set, Torx® Bit
- Socket Set, Metric
- Torque Wrench

IMPORTANT

Your Headache Rack Kit is exclusively designed for your vehicle. Please read the installation instructions thoroughly before beginning. Installation is easier if the vehicle is clean and free of debris. For your safety, and to ensure a satisfactory installation, perform all installation steps correctly in the sequence shown.

INSTALLATION INSTRUCTIONS

VEHICLE PREPARATION

GENERAL

1. Park vehicle on a flat surface.
2. Shift vehicle into PARK.
3. Turn key to OFF position and remove key.

ACCESSORY INSTALLATION

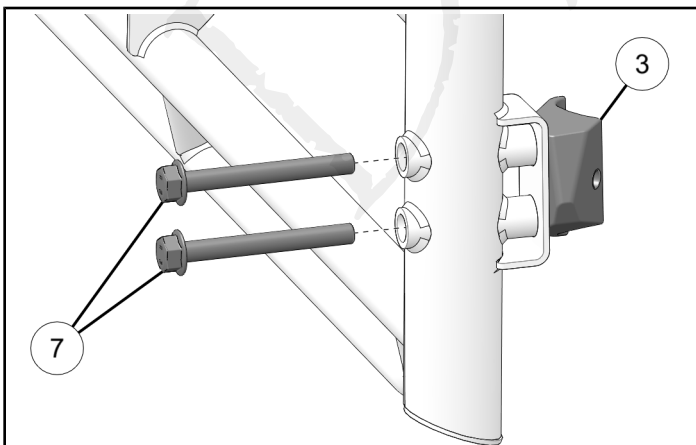
HEADACHE RACK PREP

1. Loosely install left ROPS clamp ③ to headache rack using two screws ⑦.

DO NOT torque fasteners at this time.

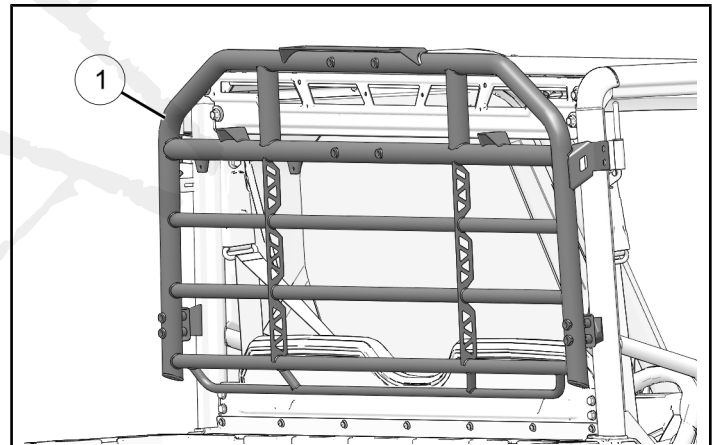
NOTICE

Right side shown; left side similar.



INSTALLATION WITHOUT DOORS

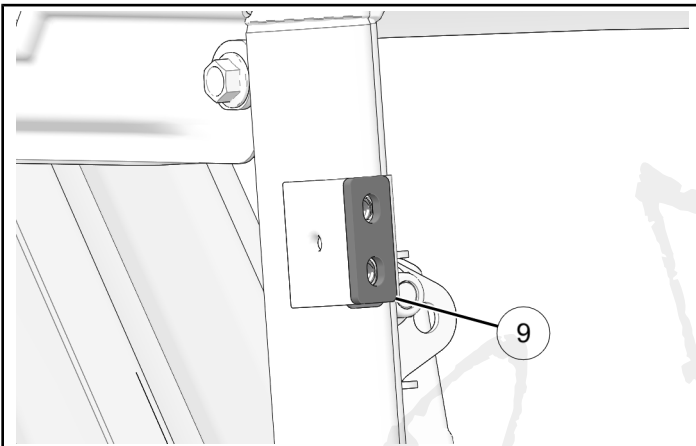
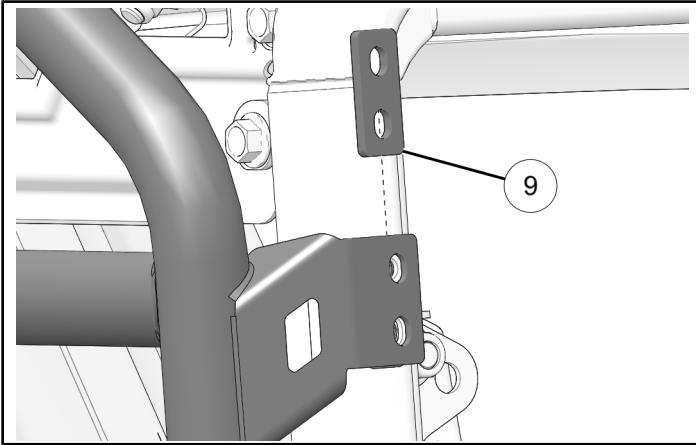
1. Put headache rack ① in position on vehicle.



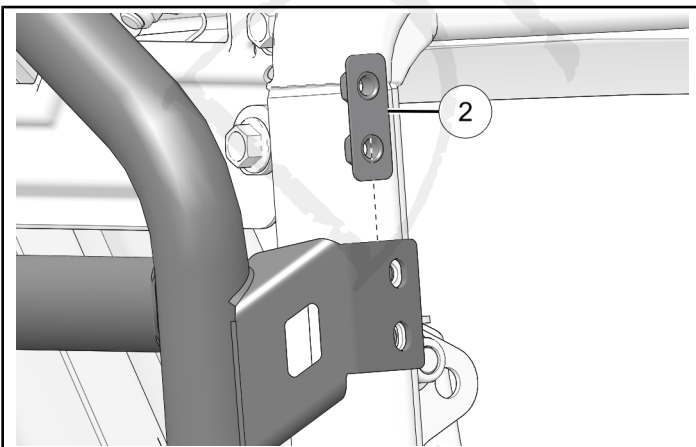
2. Put steel spacer ⑨ between headache rack mount and mounting bracket on ROPS.

NOTICE

Headache rack may be hidden for clarity.



3. Install hinge plate ② on inside face of hinge bracket. Hold hinge plate in place.

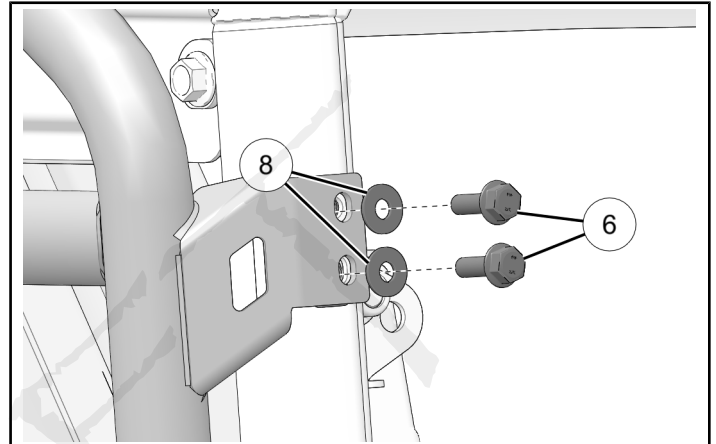


4. Loosely attach headache rack using two washers ⑧ and two screws ⑥. Install screws into hinge plate ② (not shown).

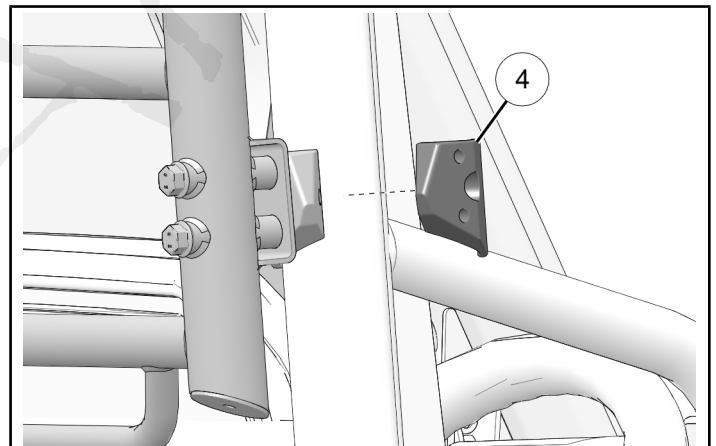
NOTICE

Right side shown; left side similar.

DO NOT torque fasteners at this time.

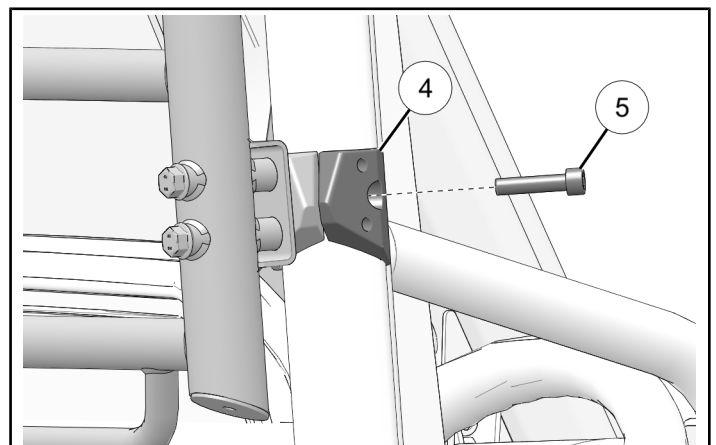


5. Install right ROPS clamp ④.



6. Loosely attach right ROPS clamp ④ using screw ⑤.

DO NOT torque fasteners at this time.



7. Torque two ROPS clamp screws ⑤ to specification.

TORQUE

Screws ⑤:
16 ft-lbs (22 N·m)

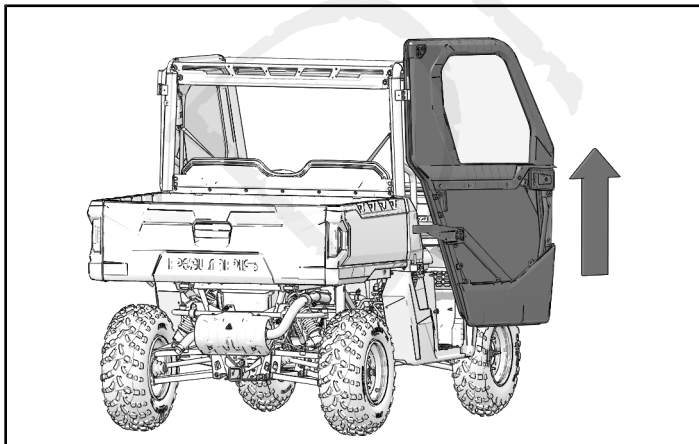
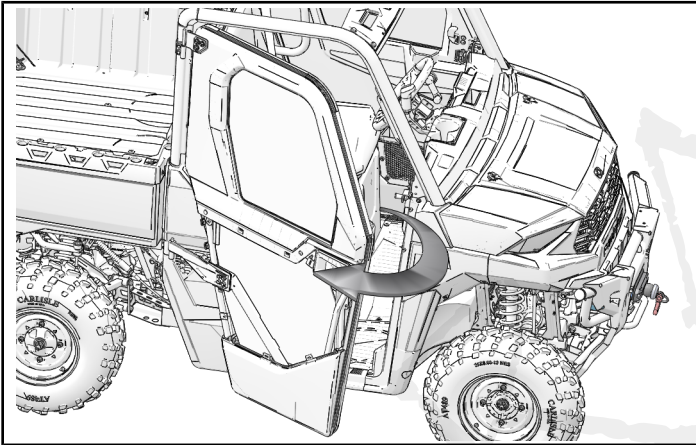
8. Torque four screws ⑥ and four screws ⑦ to specification.

TORQUE

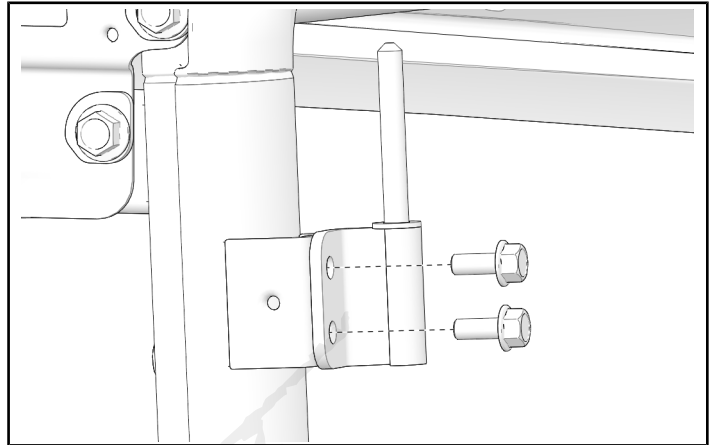
Screws ⑥ ⑦:
26 ft-lbs (35 N·m)

INSTALLATION WITH DOORS

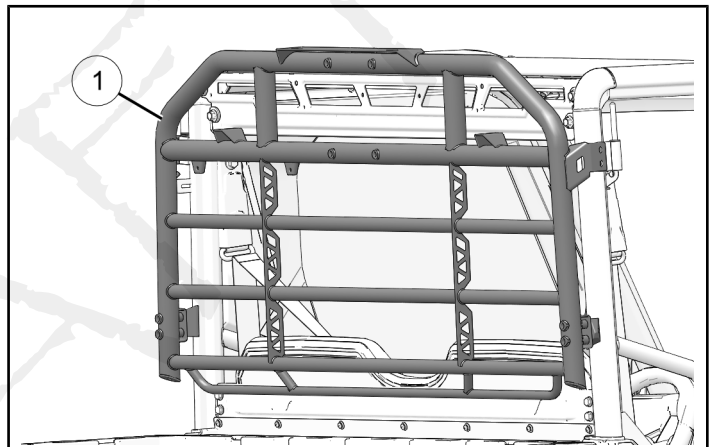
1. Disconnect rubber limiter strap from door. Disconnect any electrical connectors between door and vehicle.
2. Open door. Lift door off upper and lower hinges.



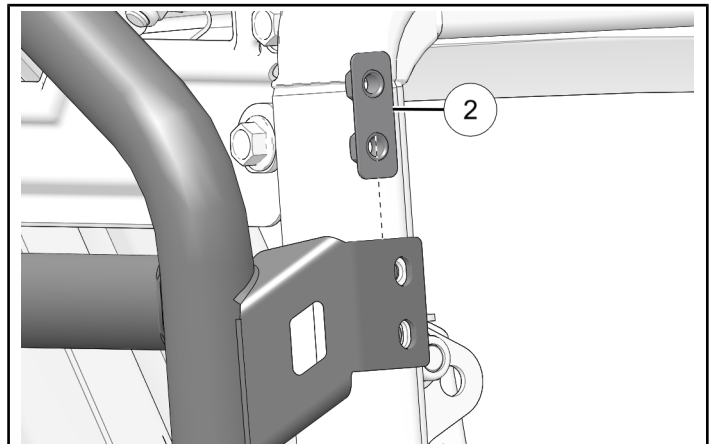
3. Remove and discard two screws. Remove and keep door hinge pin.



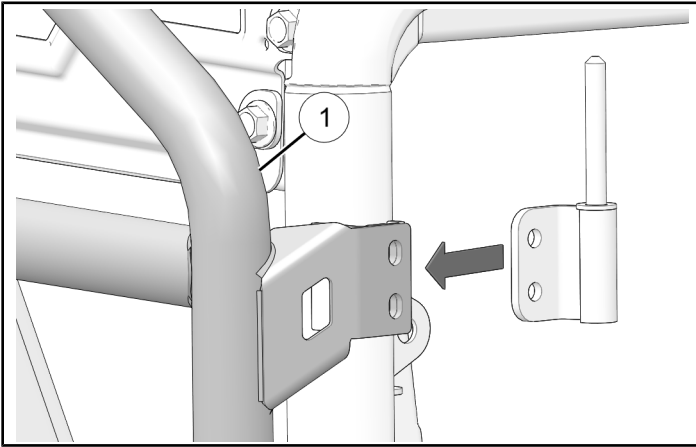
4. Put headache rack ① in position on vehicle.



5. Install hinge plate ② on inside face of hinge bracket. Hold hinge plate in place.

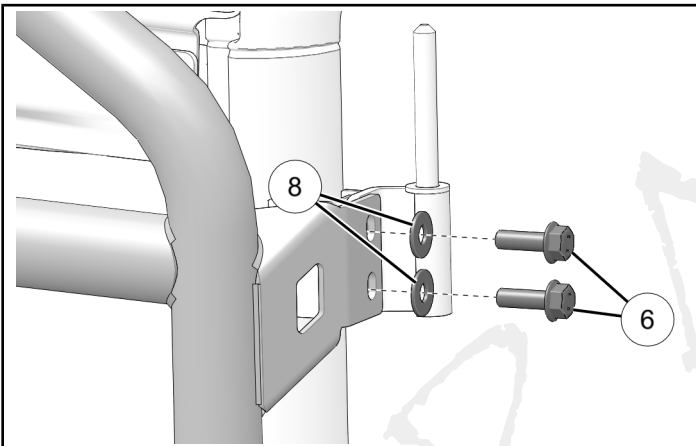


6. Install door hinge pin between headache rack ① and mounting plate on ROPS.

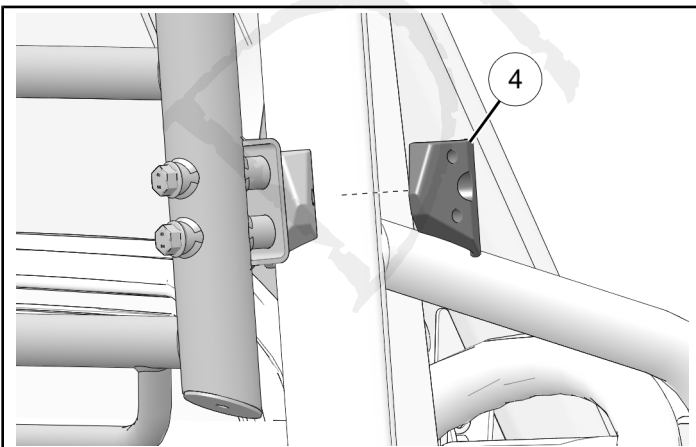


7. Loosely install two washers ⑧ and two screws ⑥.

DO NOT torque fasteners at this time.

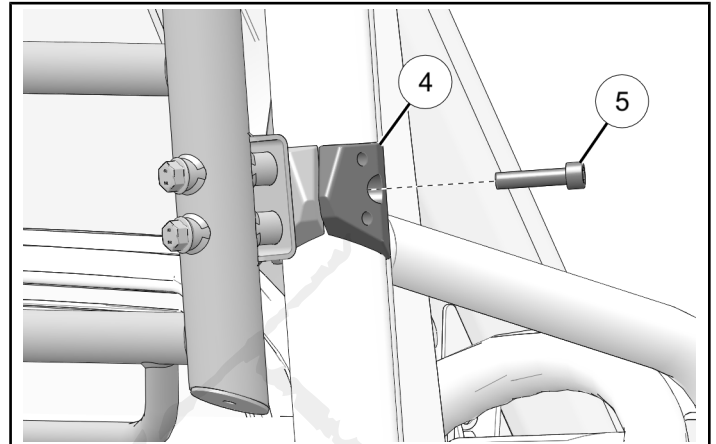


8. Install right ROPS clamp ④.



9. Loosely attach right ROPS clamp ④ using screw ⑤.

DO NOT torque fasteners at this time.



10. Torque two ROPS clamp screws ⑤ to specification.

TORQUE

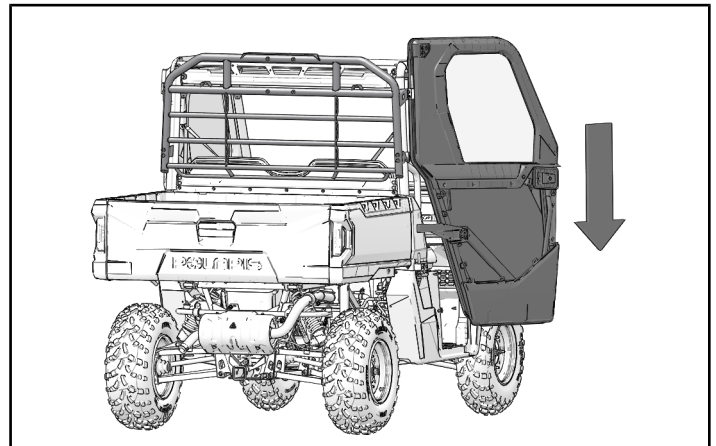
Screws ⑤:
16 ft-lbs (22 N·m)

11. Torque four screws ⑥ and four screws ⑦ to specification.

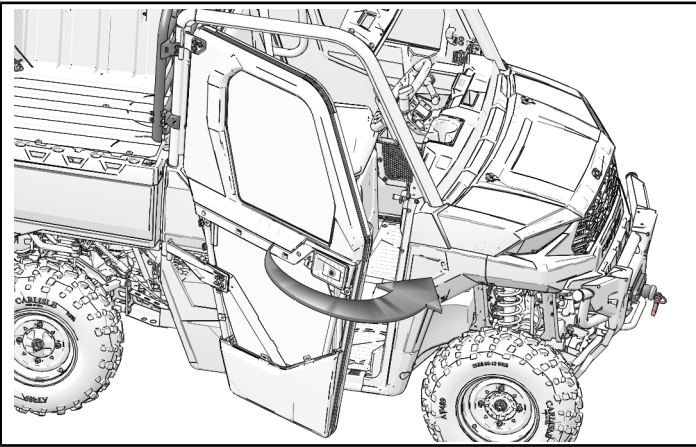
TORQUE

Screws ⑥ ⑦:
26 ft-lbs (35 N·m)

12. Install door on hinge pins.



13. Close door.



14. Connect rubber limiter strap from door. Connect any electrical connectors between door and vehicle.

DRAFT