

WIRED WINCH REMOTE KIT



P/N 2889562

BEFORE YOU BEGIN

Read these instructions and check to be sure all parts and tools are accounted for. Please retain these installation instructions for future reference and parts ordering information.

APPLICATION

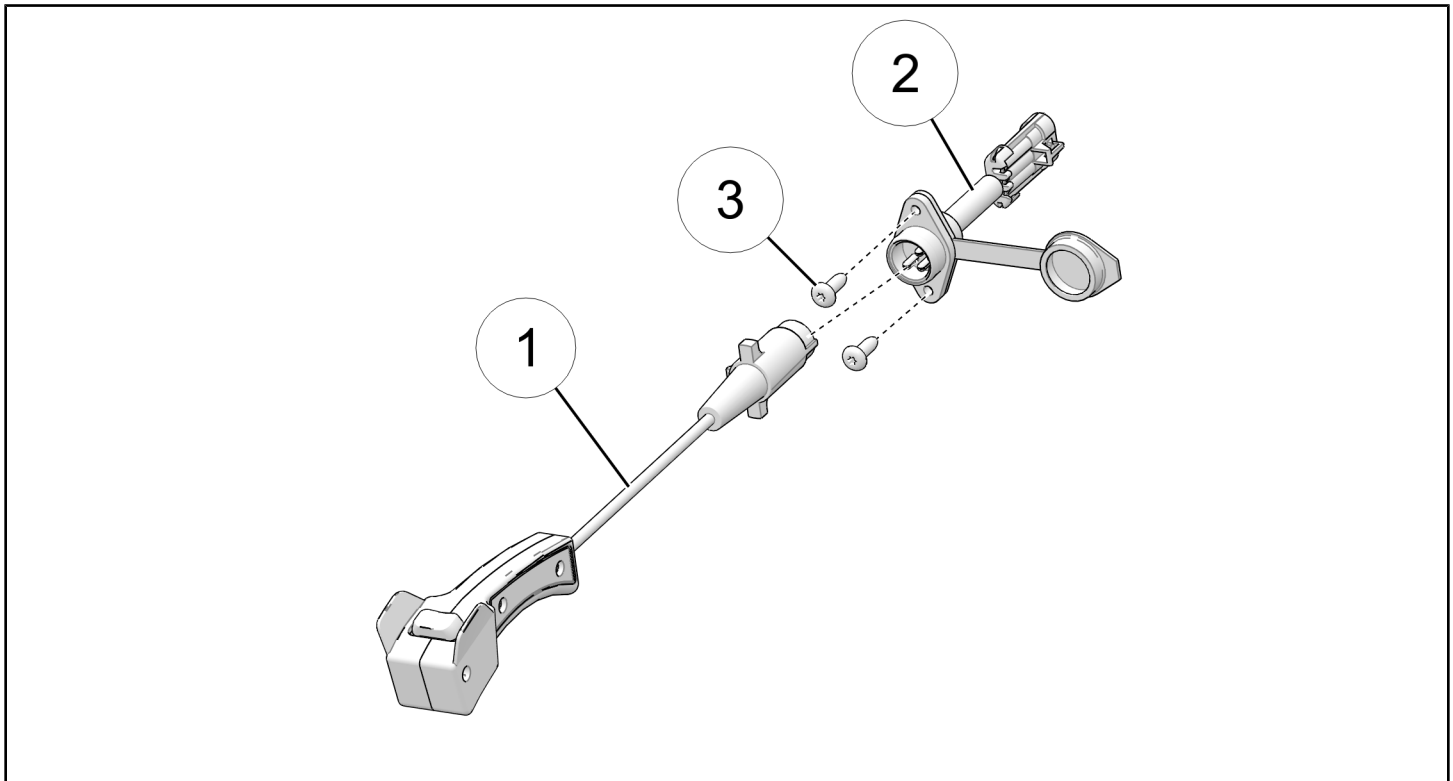
Verify accessory fitment at www.polaris.com.

REQUIRED SOLD SEPARATELY

Only parts for installation of the Wired Winch Remote Kit are included. Prior installation of the following additional kits are also required (sold separately):

- Winch Kit, P/N 2884835
- Winch Kit, P/N 2884836

KIT CONTENTS



REF	QTY	PART DESCRIPTION	P/N AVAILABLE SEPARATELY
1	1	Winch Switch Remote	4013466
2	1	Winch Remote Socket	4015090
3	2	Screw Torx® Drive Truss Head #14 X 3/4 in	7519045

TOOLS REQUIRED

- Drill
- Drill Bit:
 - 1/8 in (3.175 mm)
- Hole Saw:
 - 1 1/4 in (31.75 mm)
- Pliers, Push Pin Rivet
- Socket Set, Torx® Bit

IMPORTANT

Your Wired Winch Remote Kit is exclusively designed for your vehicle. Please read the installation instructions thoroughly before beginning. Installation is easier if the vehicle is clean and free of debris. For your safety, and to ensure a satisfactory installation, perform all installation steps correctly in the sequence shown.

INSTALLATION INSTRUCTIONS

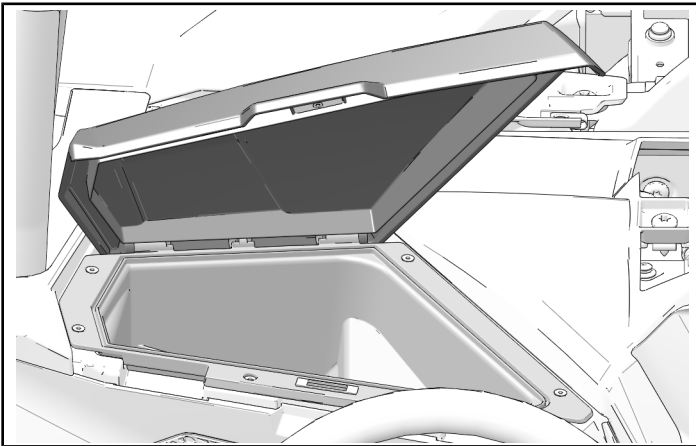
VEHICLE PREPARATION

GENERAL

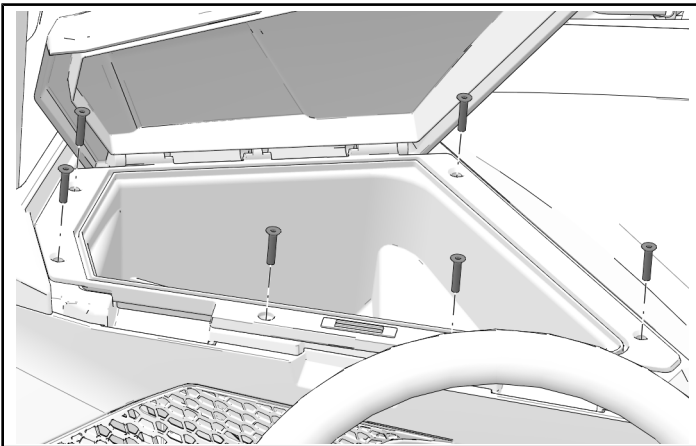
1. Park vehicle on a flat surface.
2. Shift vehicle into PARK.
3. Turn key to OFF position and remove key.

DRIVER STORAGE REMOVAL

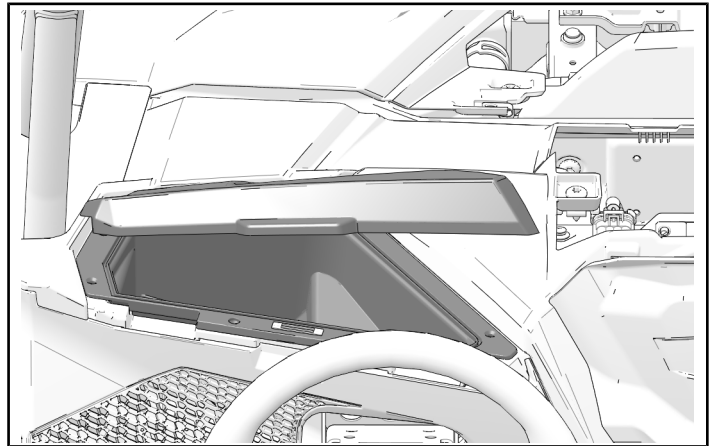
1. Open driver storage compartment.



2. Remove six storage compartment fasteners.



3. Remove storage compartment.



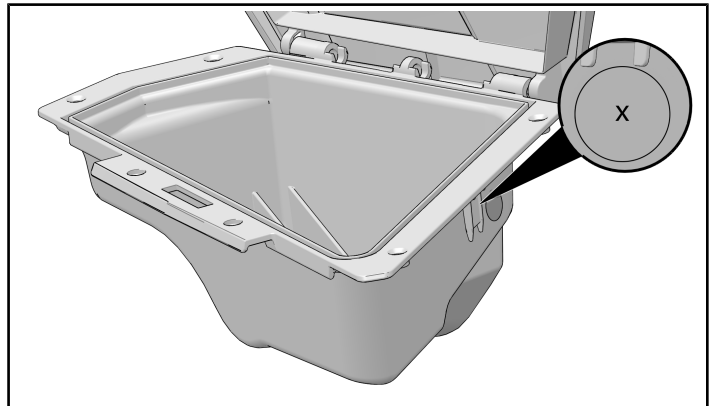
ACCESSORY INSTALLATION

NOTICE

If installing Wired Winch Remote Kit P/N 2889562 at the same time as Winch Kit P/N 2884835 or 2884836, complete the following steps before installing dash panels.

PREPARE STORAGE COMPARTMENT

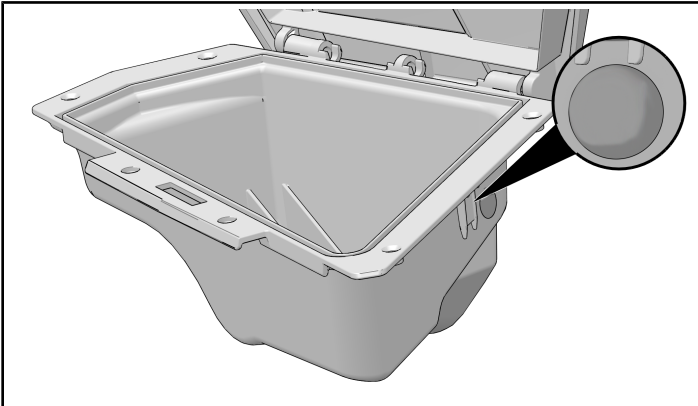
1. Mark the center of a 1 1/4 in hole along the right exterior wall of the storage compartment.



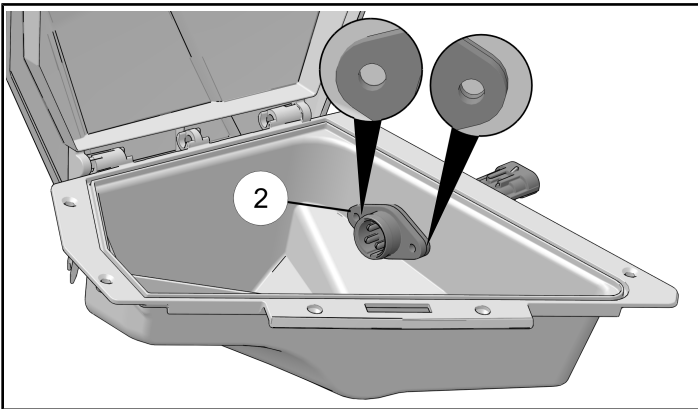
2. Make hole in storage compartment where marked.

MEASUREMENT

Hole Saw Size: 1 1/4 in (32 mm)



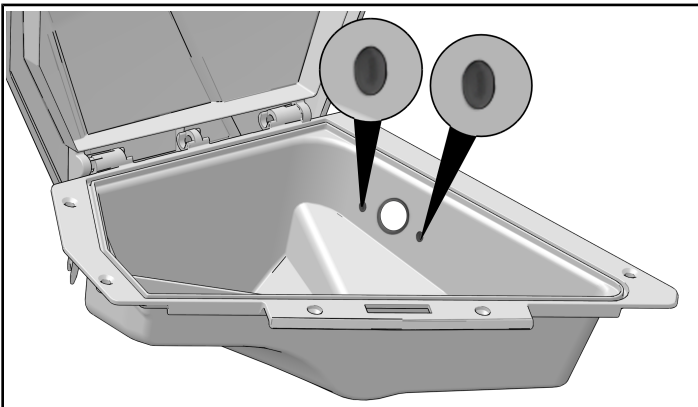
3. Put socket ② through hole. Use socket ② as a template to mark two screw holes. Remove socket.



4. Drill two holes.

MEASUREMENT

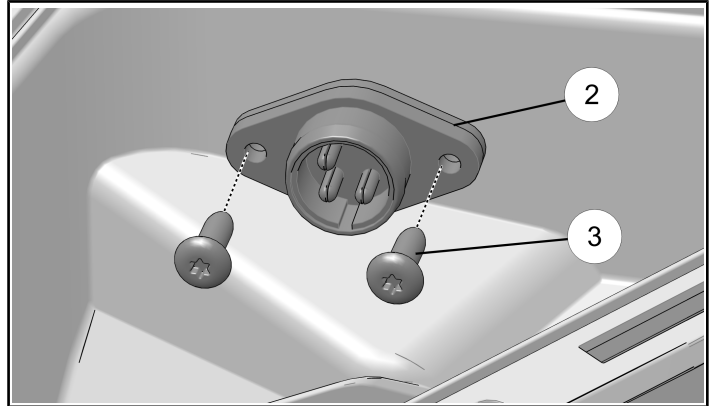
Drill Bit Size: 1/8 in (3 mm)



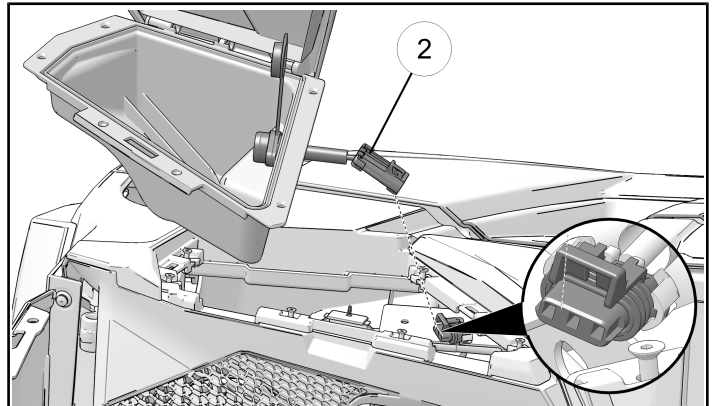
INSTALL WINCH WIRED REMOTE SOCKET

1. Install socket ② with two screws ③. Torque until fully seated.

Do not overtighten.

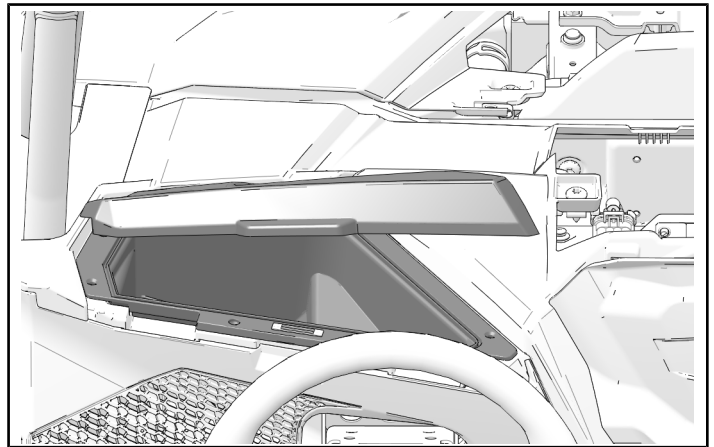


2. Connect socket ② to winch harness. Turn storage compartment to reach wire harness.

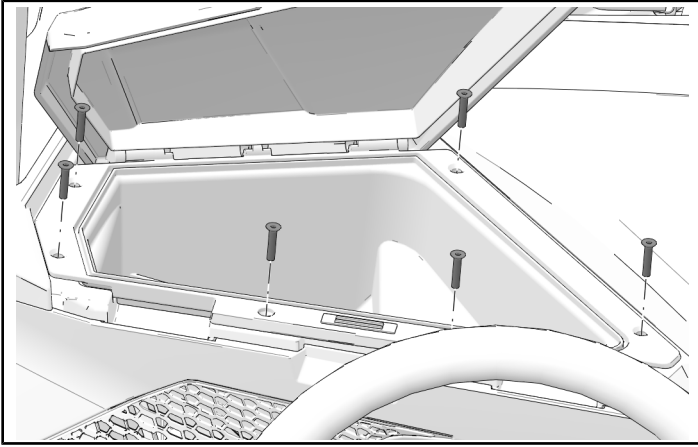


DRIVER STORAGE INSTALLATION

1. Put storage compartment in dashboard.

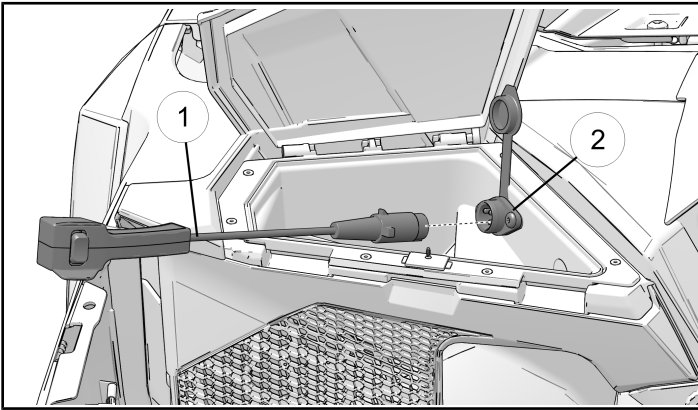


2. Install six storage compartment fasteners. Torque fasteners until fully seated.

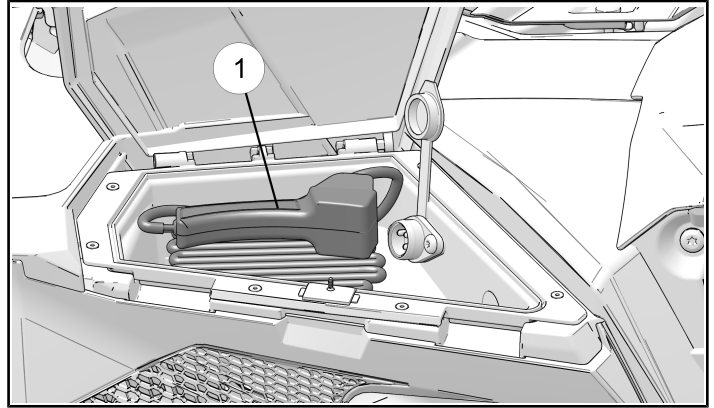


INSTALL REMOTE

1. Connect winch remote ① to socket ②.



2. Insert vehicle key and turn to third position ON.
3. Do a functional test. To extend rope, push and hold OUT on remote ① switch. To recover rope, push and hold IN on remote ① switch
4. Remove remote ① from socket. Store in storage compartment for future use.



NOTICE

If installing Wired Winch Remote Kit at the same time as Winch Kit P/N 2884835 or 2884836, continue by installing dash.

INSTRUCTION FEEDBACK FORM

A feedback form has been created for the installer to provide any comments, questions or concerns about the installation instructions. The form is viewable on mobile devices by scanning the QR code or by clicking [HERE](#) if viewing on a PC.

