

ACCENT LIGHT KIT



P/N 2889539

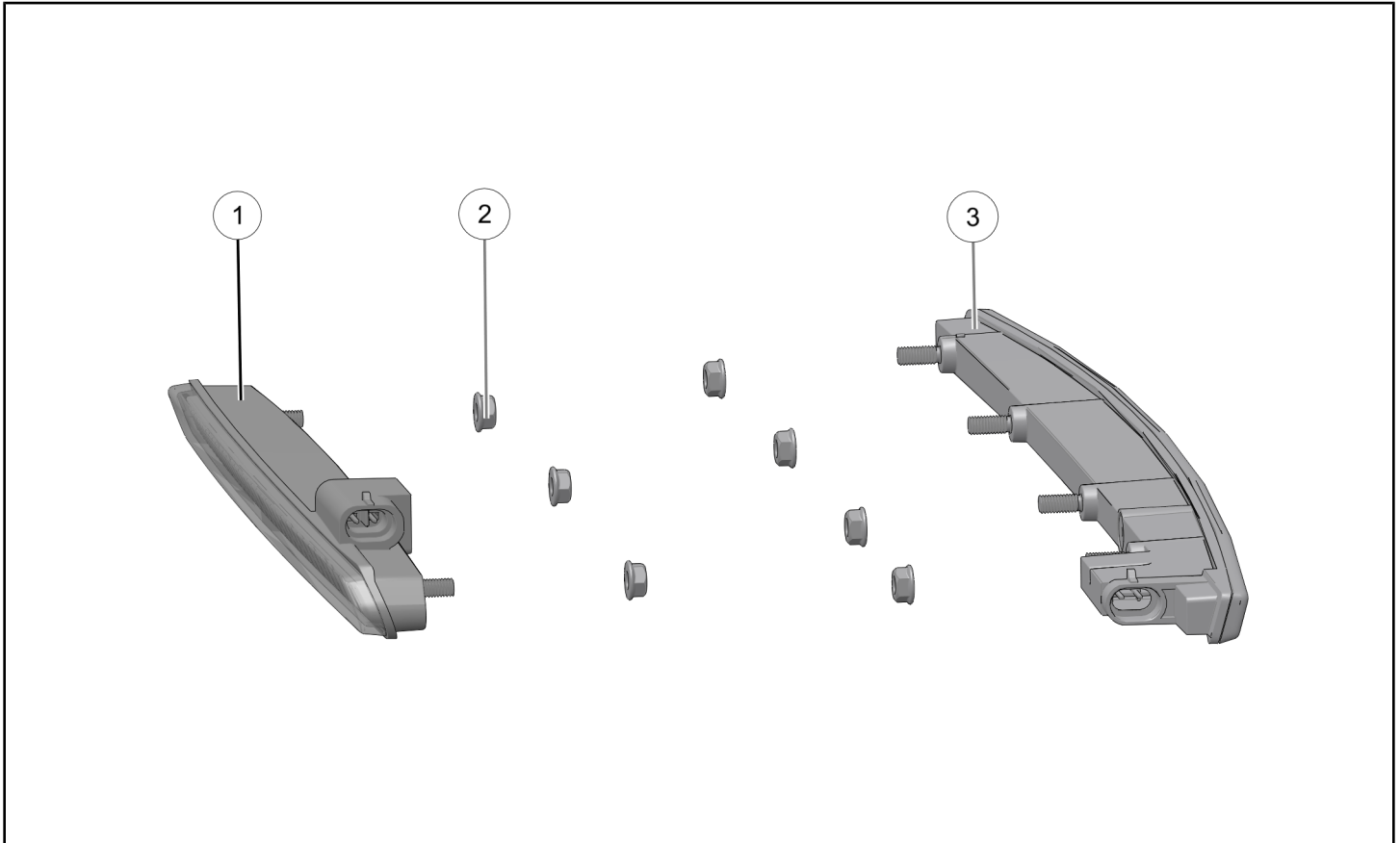
BEFORE YOU BEGIN

Read these instructions and check to be sure all parts and tools are accounted for. Please retain these installation instructions for future reference and parts ordering information.

APPLICATION

Verify accessory fitment at www.polaris.com.

KIT CONTENTS



REF	QTY	PART DESCRIPTION	P/N AVAILABLE SEPARATELY
1	1	Front Accent Light Assembly	2415449
2	7	Nut, Hex, Flange, Self-Locking, M6	7547270
3	1	Center Tail Light	2415313

TOOLS REQUIRED

- Safety Glasses
- Screwdriver Set, Torx®
- Socket Set, Torx® Bit
- Hex Key Set, Metric
- Torque Wrench
- Wrench Set, Metric

IMPORTANT

Your Accent Light Kit is exclusively designed for your vehicle. Please read the installation instructions thoroughly before beginning. Installation is easier if the vehicle is clean and free of debris. For your safety, and to ensure a satisfactory installation, perform all installation steps correctly in the sequence shown.

INSTALLATION INSTRUCTIONS

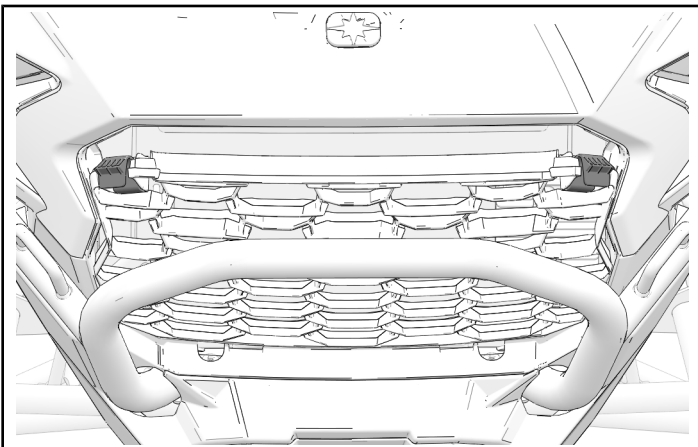
VEHICLE PREPARATION

GENERAL

1. Park vehicle on a flat surface.
2. Shift vehicle into PARK.
3. Turn key to OFF position and remove key.

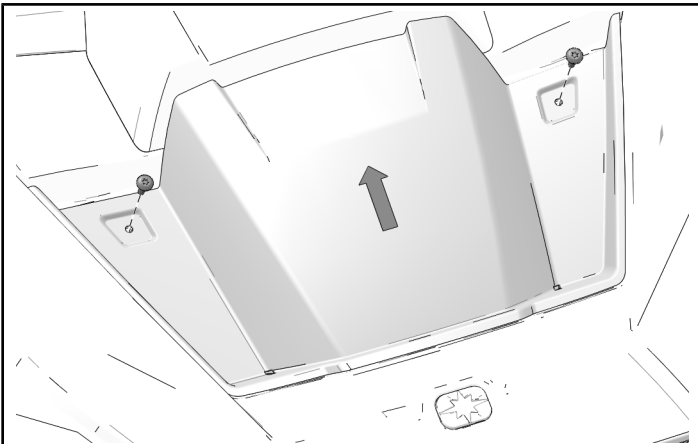
GRILLE REMOVAL

1. Push two tabs down to remove grille.



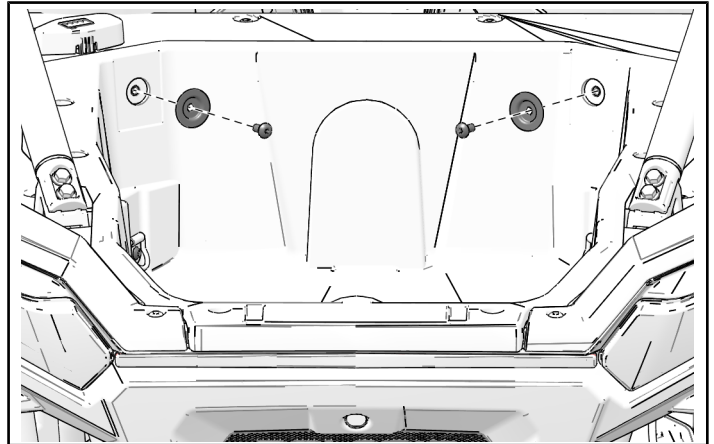
HOOD REMOVAL

1. Remove and keep two hood fasteners. Move hood rearward to remove.

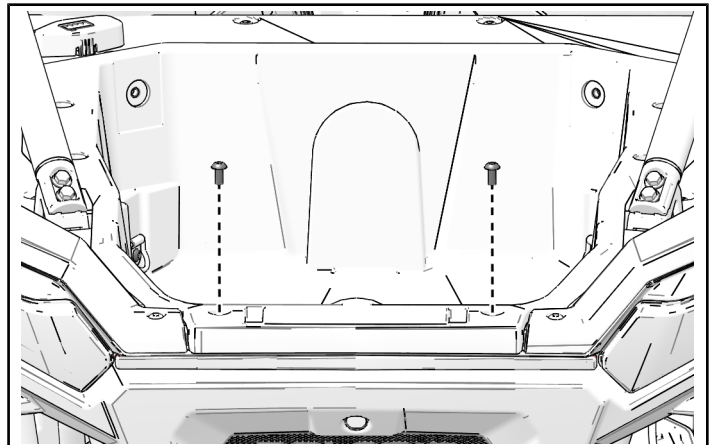


CARGO BOX REMOVAL

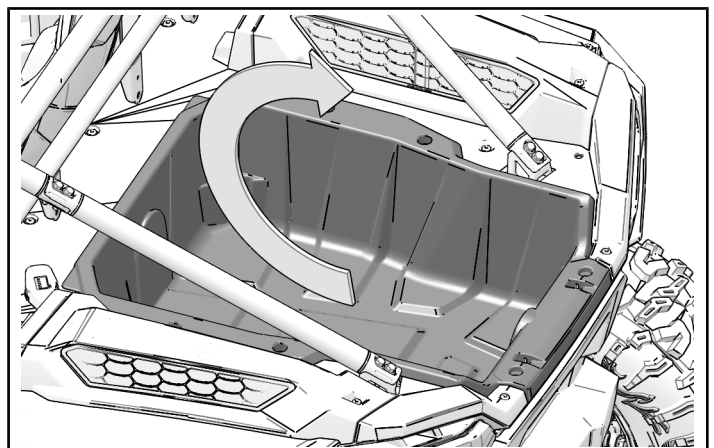
1. Remove and keep two screws and stepped washers from cargo box.



2. Remove and keep two screws from back of cargo box.

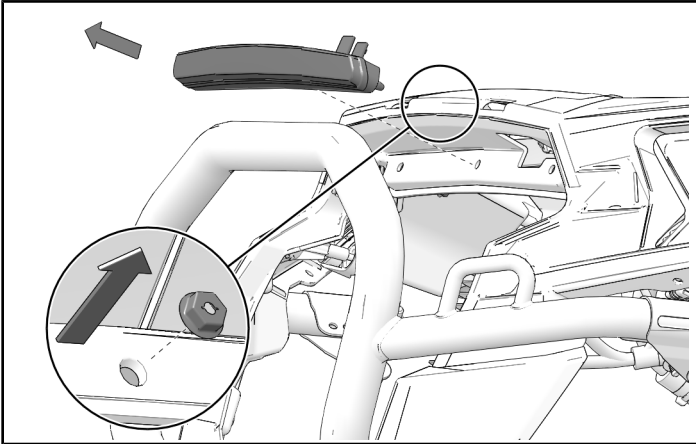


3. Remove cargo box.



ACCESSORY INSTALLATION

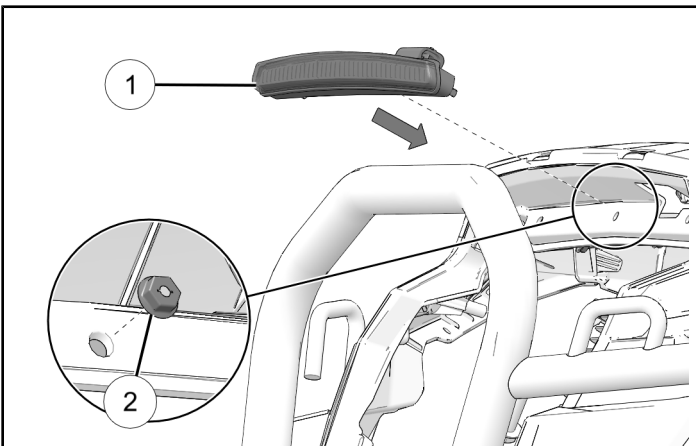
1. Remove plastic accent light cover and three nuts from vehicle.



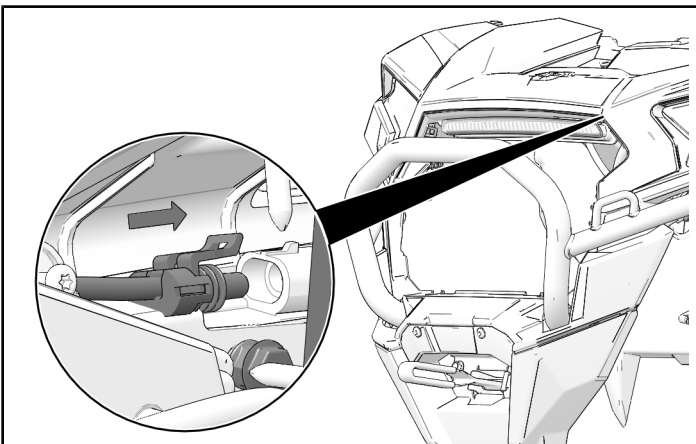
2. Attach front accent light assembly ① with three hex nuts ②. Torque nuts to required specification.

TORQUE

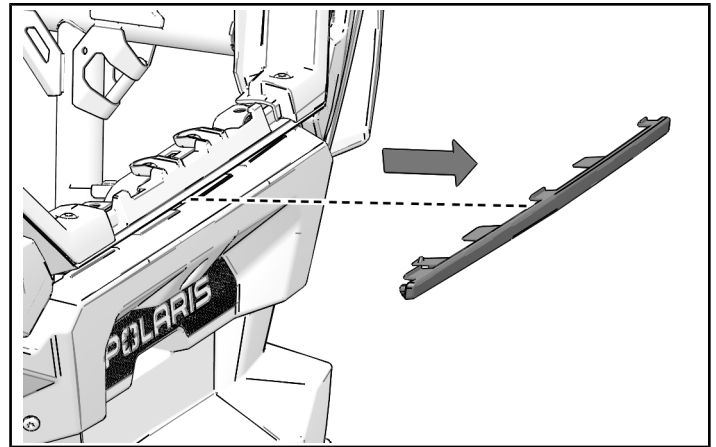
Front Accent Light Nut ②
88 in-lbs (10 N·m)



3. Remove socket cap and connect power cable to front access light assembly.



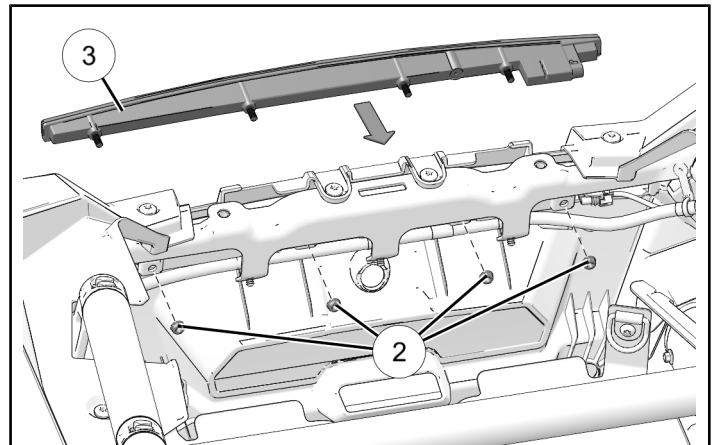
4. Remove rear plastic trim piece from vehicle.



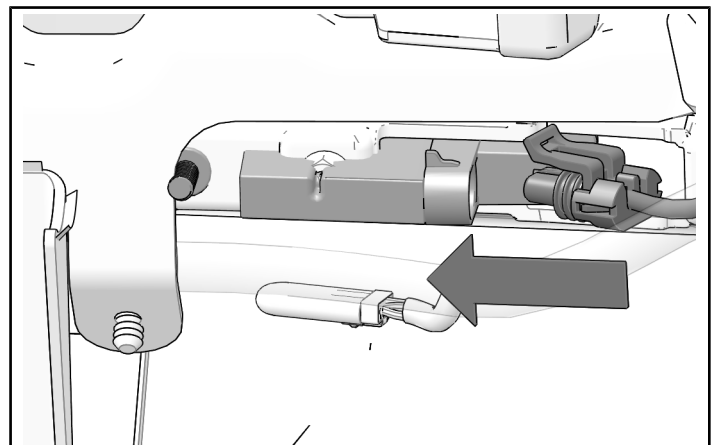
5. Insert center accent light ③ to vehicle with four hex nuts. Torque nuts to required specification. ②.

TORQUE

Rear Accent Light Nut ②:
88 in-lbs (10 N·m)



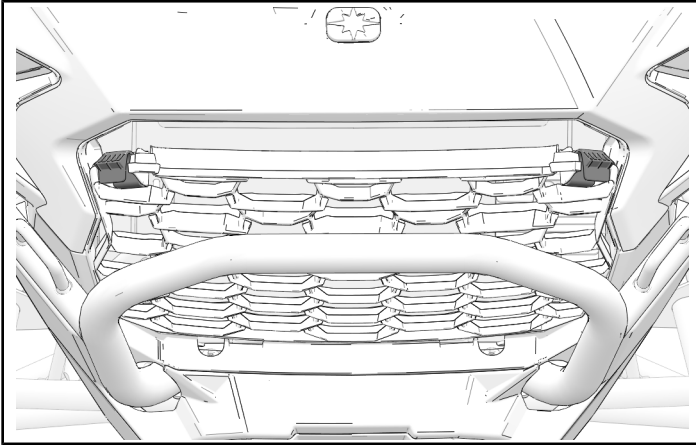
6. Remove cap and connect power cable to rear accent light.



VEHICLE REASSEMBLY

GRILLE INSTALLATION

1. Put bottom of grille in first and push top of grille in until two tabs engage upper front fascia.

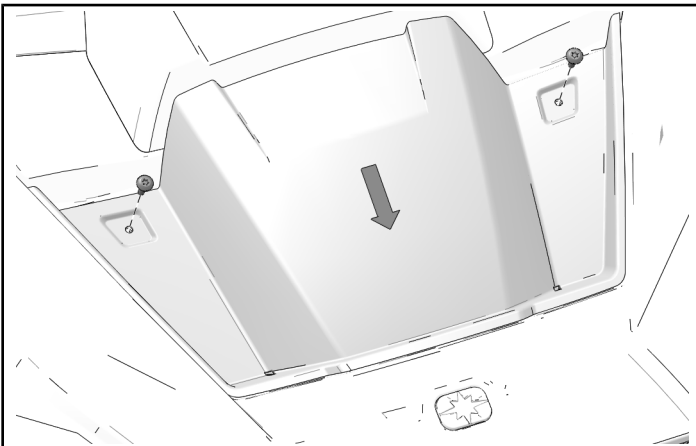


HOOD INSTALLATION

1. Move hood forward, into outer hood panel, and install with two retained fasteners. Torque fasteners to specification.

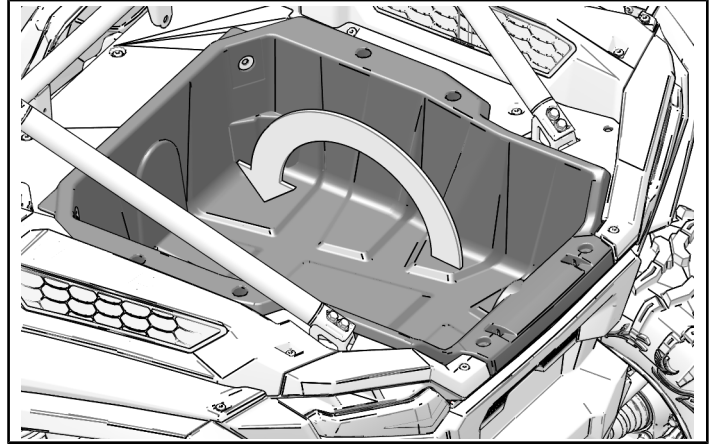
TORQUE

Hood Fasteners:
88 in-lbs (10 N·m)



CARGO BOX INSTALLATION

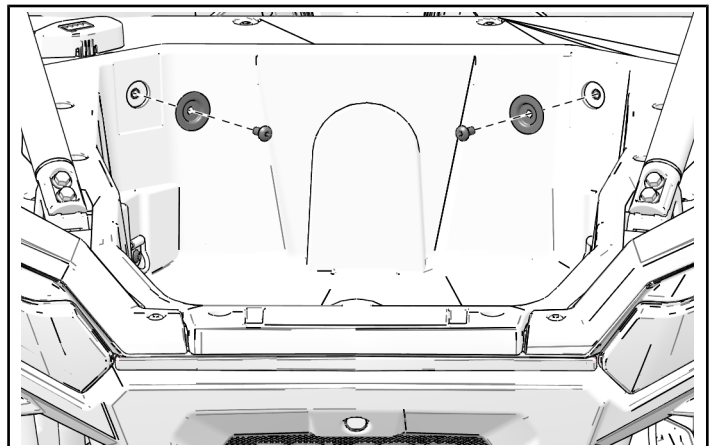
1. Place cargo box in rear of vehicle



2. Loosely install stepped washers and attach to cargo box with two screws. Torque screws to specifications.

TORQUE

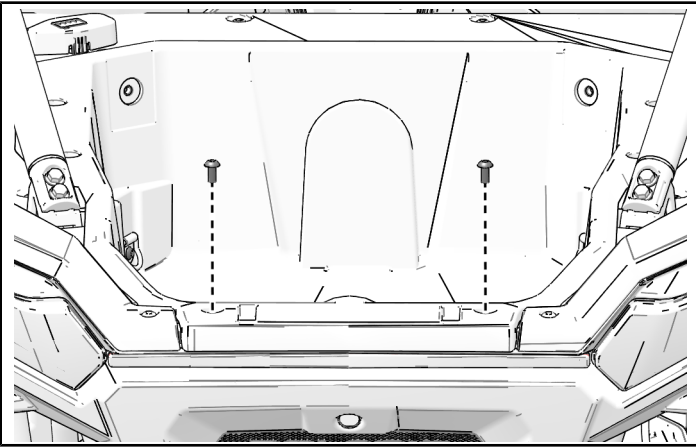
Cargo Box Screws
88 in-lbs (10 N·m)



3. Insert two screws and attach cargo box to vehicle.
Torque screws to specifications.

TORQUE

Cargo Box Screws
88 in-lbs (10 N·m)

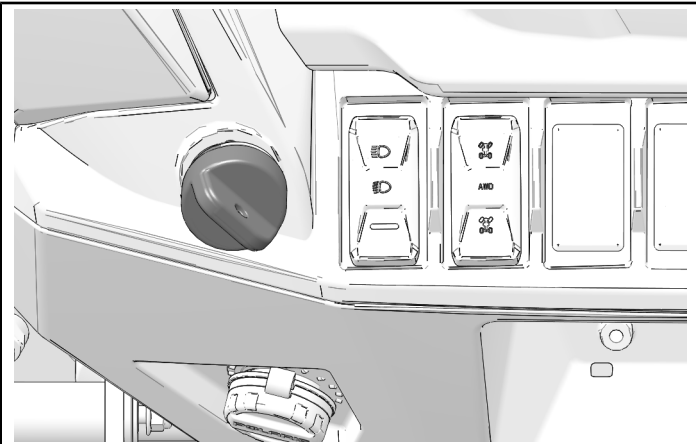


OPERATION

1. Accent lights should operate when ignition key is in the "Accessory" or "On" positions.

NOTICE

Rear accent light is not a brake light.



INSTRUCTION FEEDBACK FORM

A feedback form has been created for the installer to provide any comments, questions or concerns about the installation instructions. The form is viewable on mobile devices by scanning the QR code or by clicking [HERE](#) if viewing on a PC.

