

# TIP OUT WINDSHIELD KIT



P/N 2889537

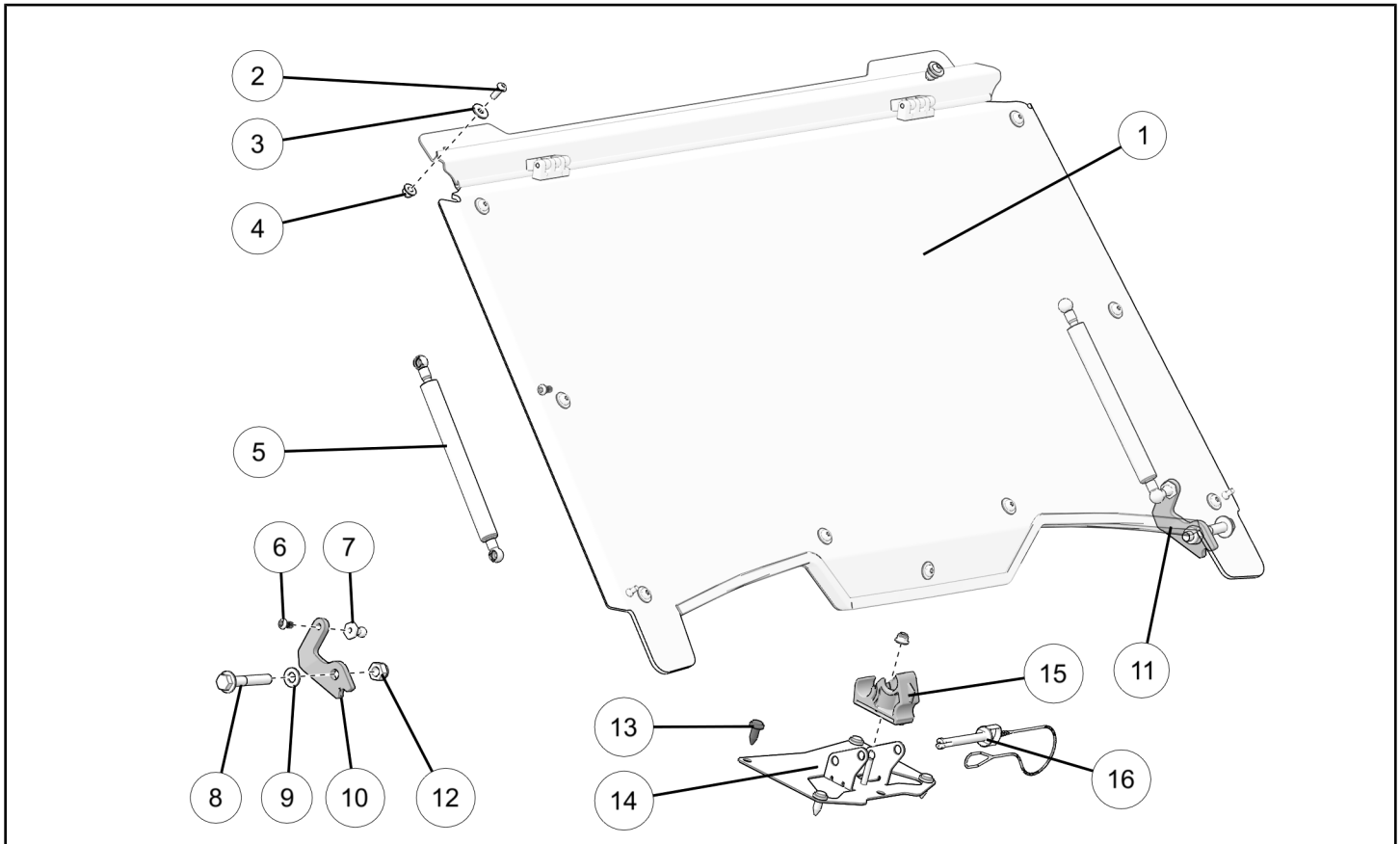
## BEFORE YOU BEGIN

Read these instructions and check to be sure all parts and tools are accounted for. Please retain these installation instructions for future reference and parts ordering information.

## APPLICATION

Verify accessory fitment at [www.polaris.com](http://www.polaris.com).

## KIT CONTENTS



REF	QTY	PART DESCRIPTION	P/N AVAILABLE SEPARATELY	AVAILABLE SERVICE KIT
1	1	Assembly–Tip-Up Windshield	n/a	n/a
2	2	Screw–Torx® Button Head, M6 x 1.0 x 16 mm	n/a	2209318
3	2	Washer–M6	n/a	2209318
4	3	Nut–Flange Nylon Locking, M6 x 1.0 mm	n/a	2209318
5	2	Strut–Gas	n/a	2209318
6	2	Nut–Ball Stud, M6 x 1.0 mm	n/a	2209318
7	2	Screw–Torx® Button Head, M6 x 1.0 x 12 mm	n/a	2209318
8	2	Screw–Hex Flange, M10 x 1.5 x 65 mm	n/a	2209318

REF	QTY	PART DESCRIPTION	P/N AVAILABLE SEPARATELY	AVAILABLE SERVICE KIT
9	2	Washer–M10	n/a	2209318
10	1	Bracket–Strut, Left-Hand	n/a	2209318
11	1	Bracket–Strut, Right-Hand (not shown)	n/a	2209318
12	2	Nut–Nylon Locking, M10 x 1.5 mm	n/a	2209318
13	4	Rivet–Push-Pin	n/a	2209318
14	1	Mount–Dashboard	n/a	2209318
15	1	Clamp–Dashboard	n/a	2209318
16	1	Windshield Lanyard Pin	n/a	2209318

## TOOLS REQUIRED

- Safety Glasses
- Center Punch
- Drill
- Drill Bit:
  - **5/16 in (8 mm)**
- Pliers, Push Pin Rivet
- Socket Set, Hex Bit, Metric
- Socket Set, Metric
- Torque Wrench
- Wrench Set, Metric

## IMPORTANT

Your Tip Out Windshield Kit is exclusively designed for your vehicle. Please read the installation instructions thoroughly before beginning. Installation is easier if the vehicle is clean and free of debris. For your safety, and to ensure a satisfactory installation, perform all installation steps correctly in the sequence shown.

## INSTALLATION INSTRUCTIONS

### WARNING

If transporting vehicle in non-enclosed trailer then vehicle must **FACE FORWARD**, or windshield must be removed.

Failure to comply may allow airflow, vibration, or other factors to separate windshield from vehicle and cause an accident, resulting in serious personal injury or death.

### WARNING

Do not drive vehicle with windshield tipped up at speeds exceeding 55 mph (89 km). Driving at excessive speeds may cause airflow to lift windshield and cause a loss of vehicle control resulting in accident or death.

## VEHICLE PREPARATION

### GENERAL

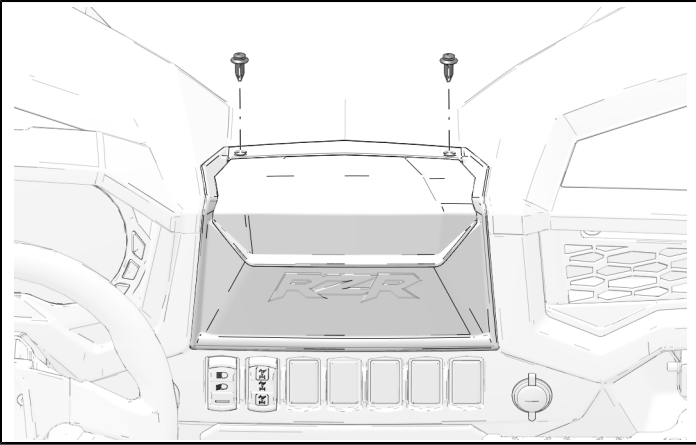
1. Park vehicle on a flat surface.
2. Shift vehicle into PARK.
3. Turn key to OFF position and remove key.

## DASHBOARD STORAGE REMOVAL

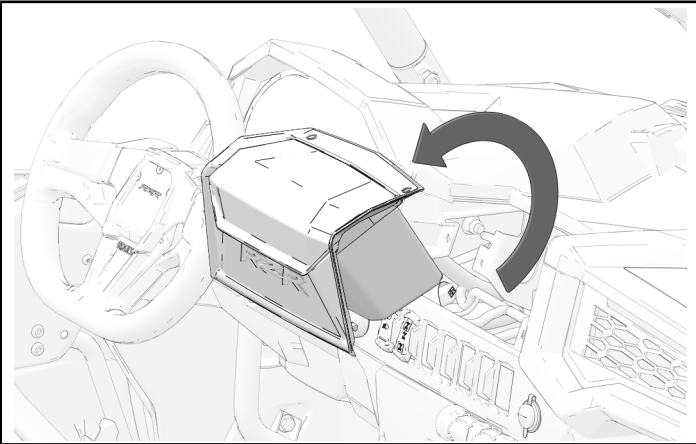
### NOTICE

Storage bin shown; audio head unit bezel similar.

1. Remove two push-pin rivets from top of storage compartment.



2. Tilt storage compartment rearward to remove from dashboard.



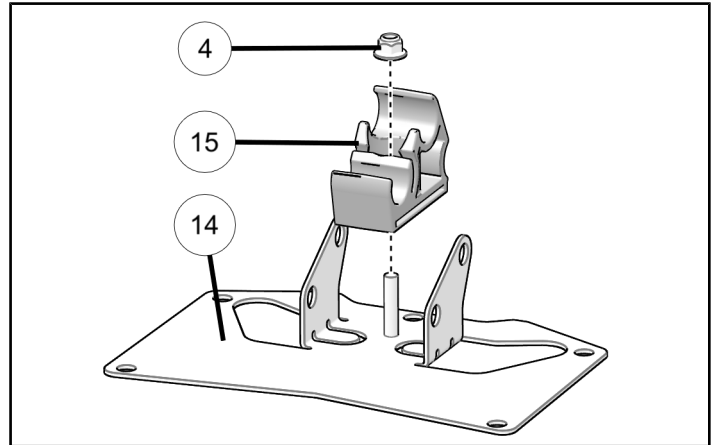
## ACCESSORY INSTALLATION

### DASHBOARD MOUNT INSTALLATION

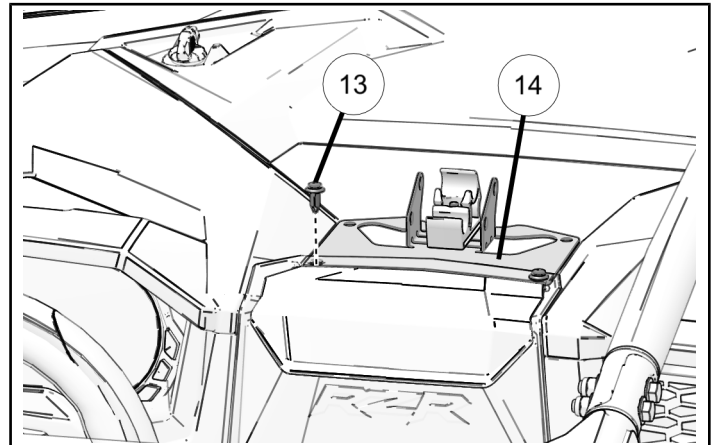
1. Install dashboard clamp (15) to dashboard mount (14) with one nut (4). Torque nut to specification.

### TORQUE

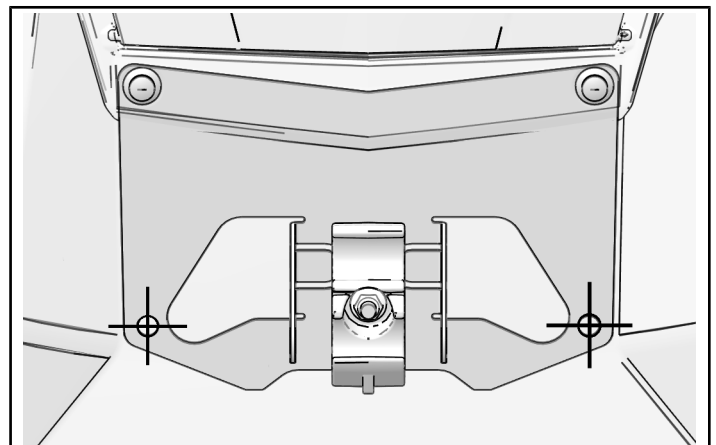
Nut (4):  
88 in-lbs (10 N·m)



2. Install rear of dashboard mount (14) with two push-pin rivets (13).



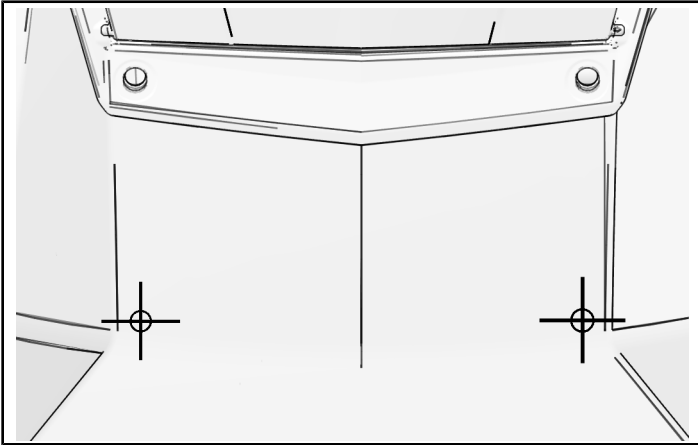
3. Mark dashboard to drill two holes at the locations shown.



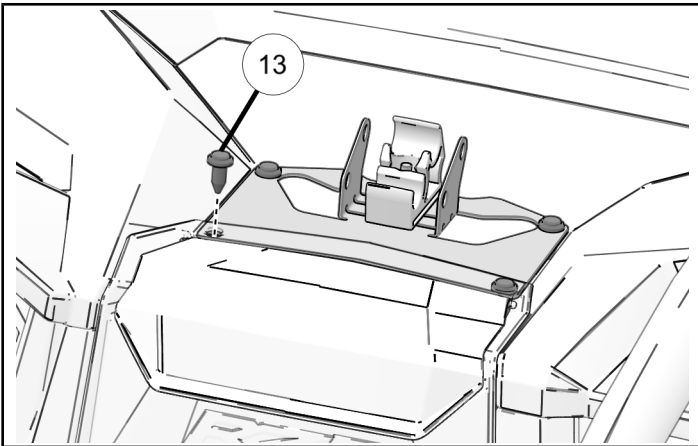
4. Remove dashboard mount. Drill two **5/16 in (8 mm)** holes in dashboard.

### MEASUREMENT

Drill Size:  
**5/16 in (8 mm)**



5. Install windshield mount and dashboard storage with four push-pin rivets **13**.

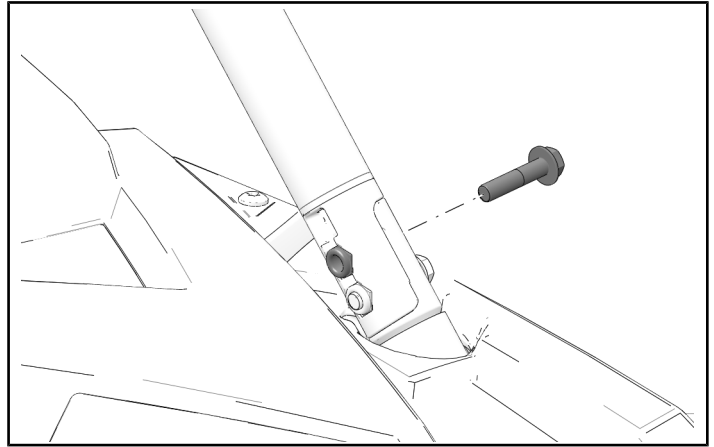


### STRUT BRACKET INSTALLATION

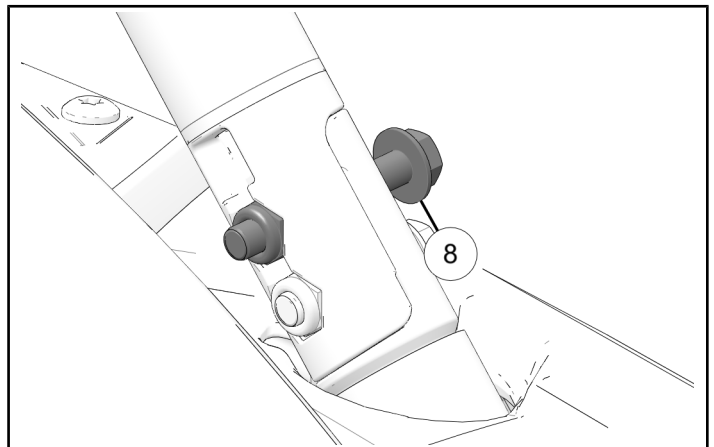
#### NOTICE

Left A-pillar shown; right A-pillar similar.

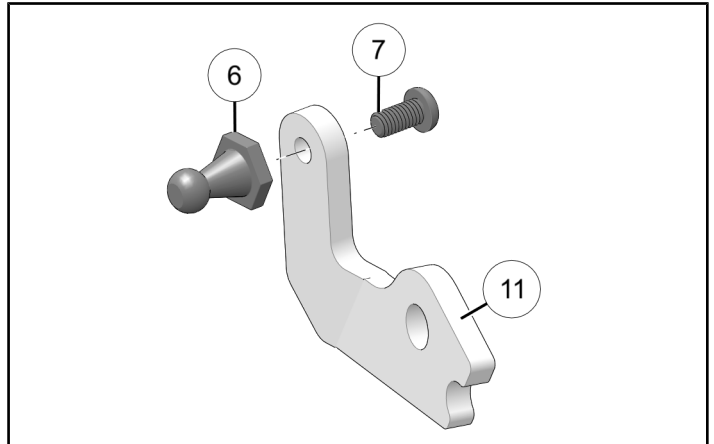
1. Remove and discard upper fastener from A-pillar coupler. Keep nut within coupler.



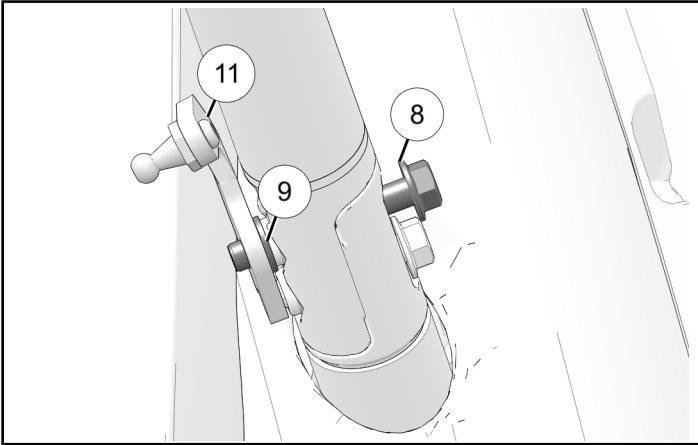
2. Partially install one fastener **8** into retained nut.



3. Install ball-end **6** onto strut bracket **11** with one fastener **7**.



- Put one washer ⑨ and strut bracket ⑪ on fastener ⑧.



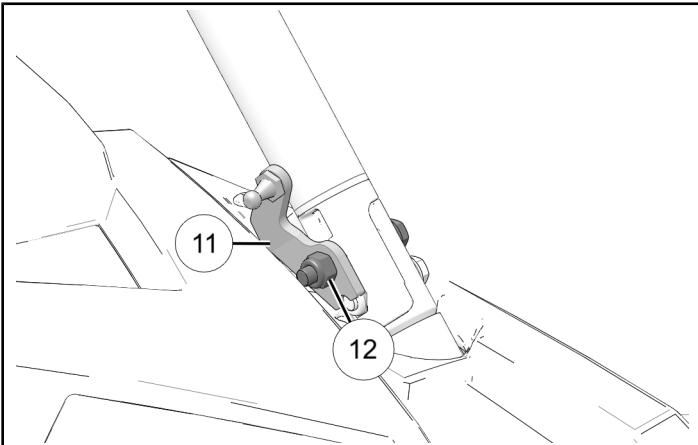
- Install strut bracket ⑪ with one nut ⑫. Counter-hold nut and torque fastener to specification.

**TIP**

Tilt strut bracket rearward for best fitment. Adjust later, if needed.

**TORQUE**

Coupler Fastener ⑧:  
**44 ft-lbs (60 N·m)**



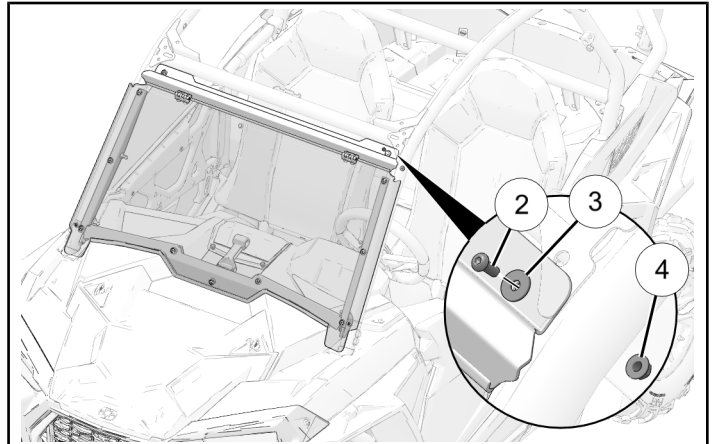
**WINDSHIELD ASSEMBLY INSTALLATION**

**NOTICE**

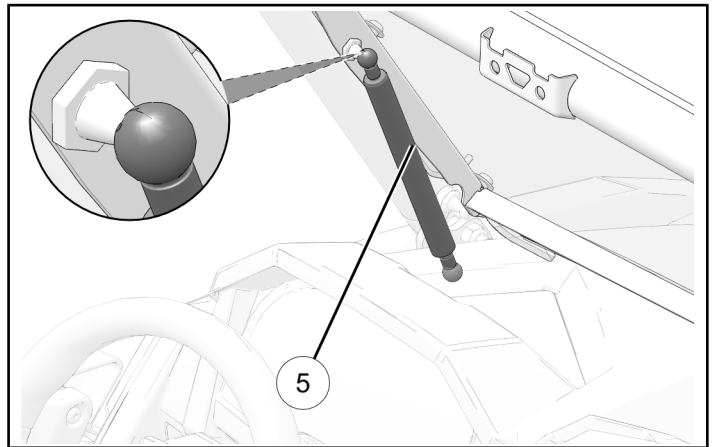
Left strut shown; right strut similar.

- Install top of windshield assembly with two fasteners ②, two washers ③, and two nuts ④.

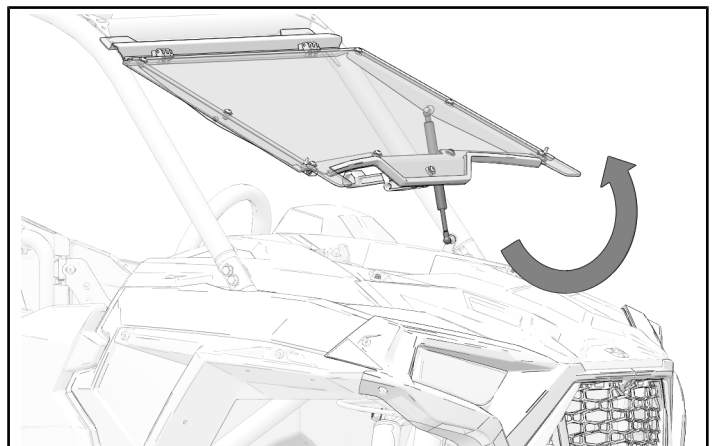
Do not torque fasteners at this time.



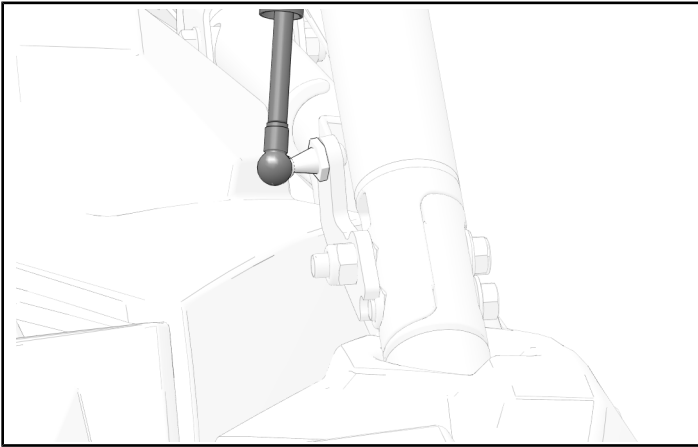
- Install strut ⑤, with arm facing downward, onto windshield ball-end.



- Lift windshield up.



4. Install strut onto strut bracket ball-end.



5. Counter-hold nuts and torque two top mounting fasteners ② to specification.

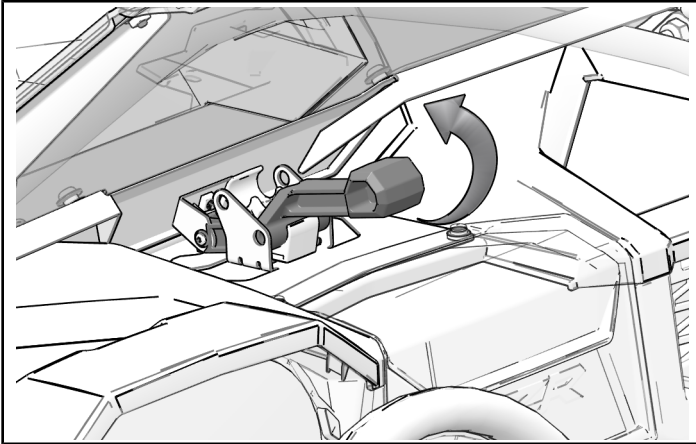
**TORQUE**

Top Mounting Fasteners ②:  
**88 in-lbs (10 N·m)**

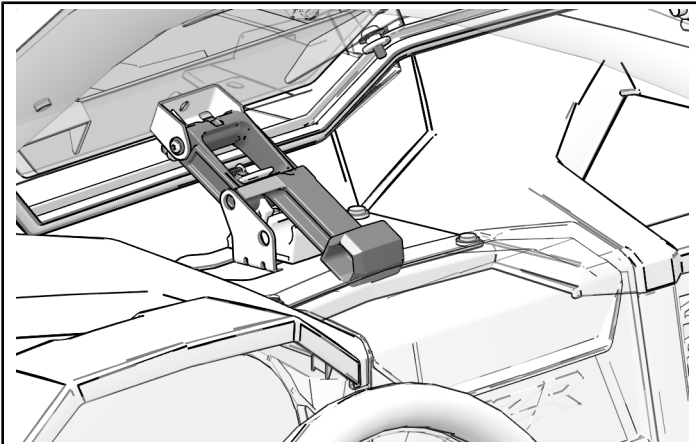
## OPERATION

### TIP OUT OPERATION

1. Lift up latch to open windshield.

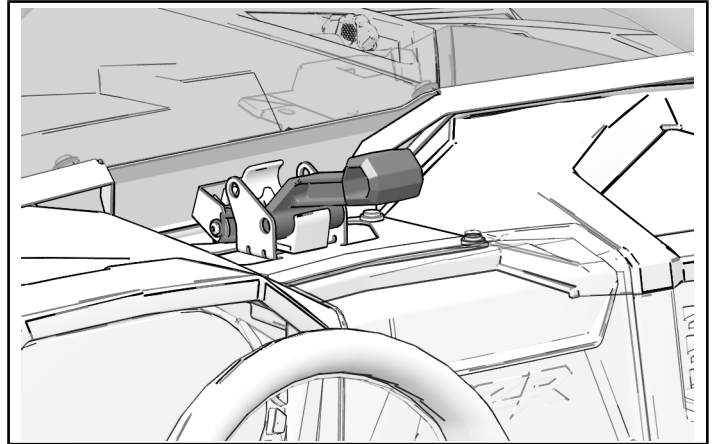


2. Rest latch handle on front latch position. Push down until the lever clicks into place.

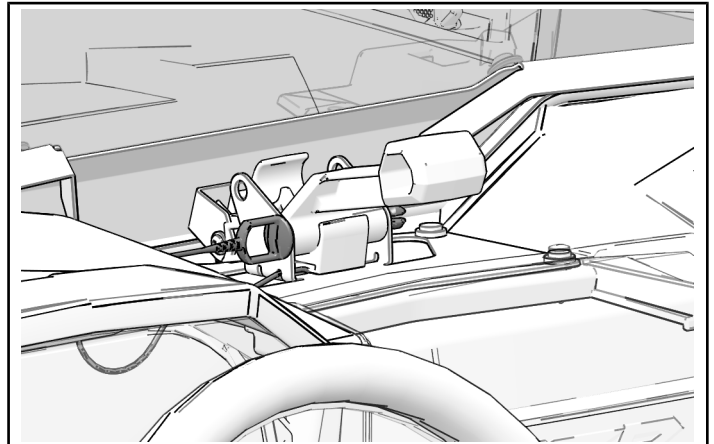


### LOCKING OPERATION

1. Engage latch in either open or closed position.



2. Insert pin through dashboard plate and latch to lock windshield into position.



## INSTRUCTION FEEDBACK FORM

A feedback form has been created for the installer to provide any comments, questions or concerns about the installation instructions. The form is viewable on mobile devices by scanning the QR code or by clicking [HERE](#) if viewing on a PC.

