

BED MAT KIT



P/N 2889189

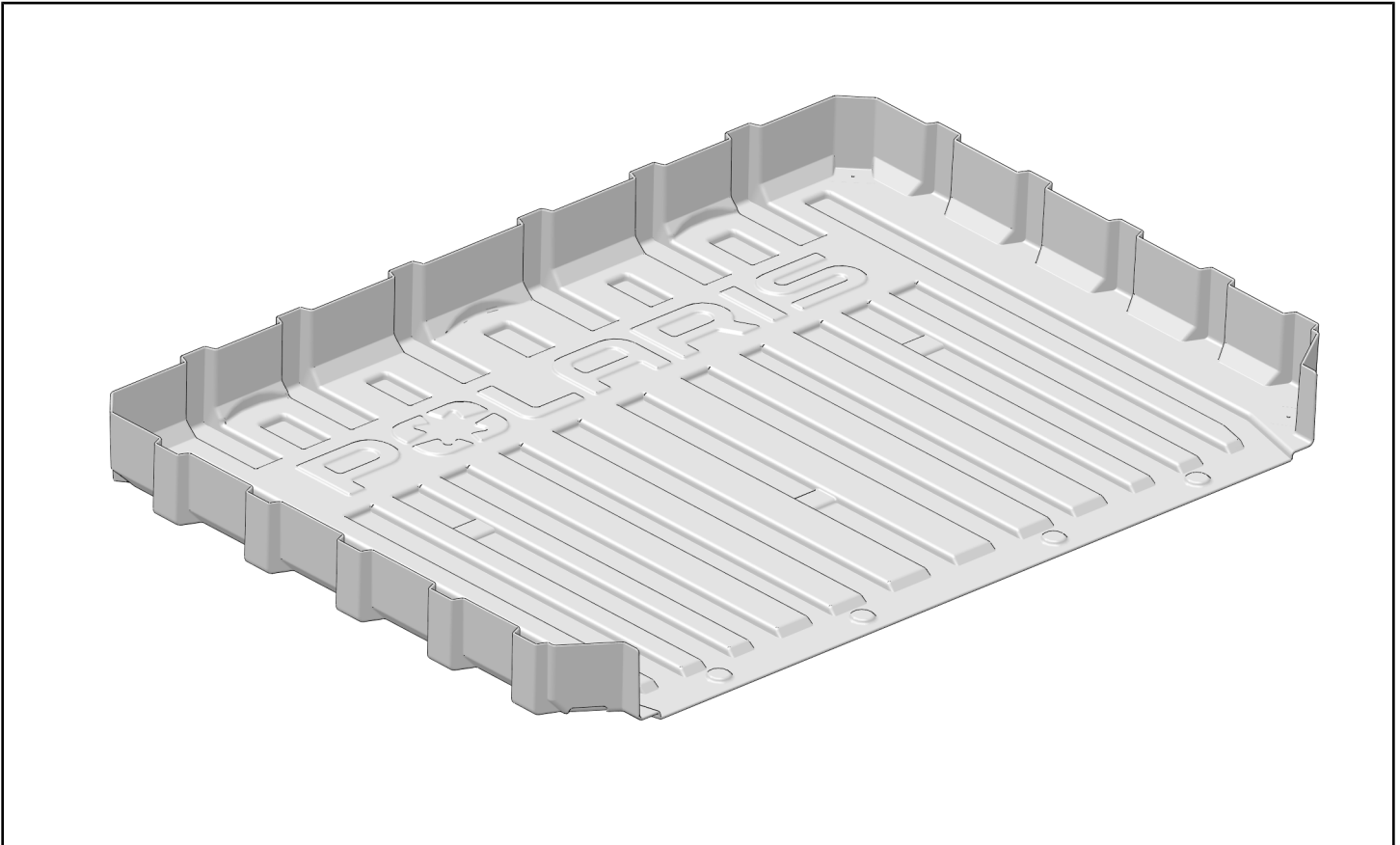
BEFORE YOU BEGIN

Read these instructions and check to be sure all parts and tools are accounted for. Please retain these installation instructions for future reference and parts ordering information.

APPLICATION

Verify accessory fitment at www.polaris.com.

KIT CONTENTS



REF	QTY	PART DESCRIPTION	P/N AVAILABLE SEPARATELY
1	1	Bed Mat	5458930

TOOLS REQUIRED

- Safety Glasses
- Cutting Tool
- Drill
- Drill Bit:
 - 5/16 in (8 mm)
- Socket Set, Torx® Bit
- Torque Wrench

IMPORTANT

Your Bed Mat Kit is exclusively designed for your vehicle. Please read the installation instructions thoroughly before beginning. Installation is easier if the vehicle is clean and free of debris. For your safety, and to ensure a satisfactory installation, perform all installation steps correctly in the sequence shown.

INSTALLATION INSTRUCTIONS

VEHICLE PREPARATION

GENERAL

1. Park vehicle on a flat surface.
2. Shift vehicle into PARK.
3. Turn key to OFF position and remove key.

ACCESSORY INSTALLATION

NOTICE

There are three options for installation. Each have different Instructions

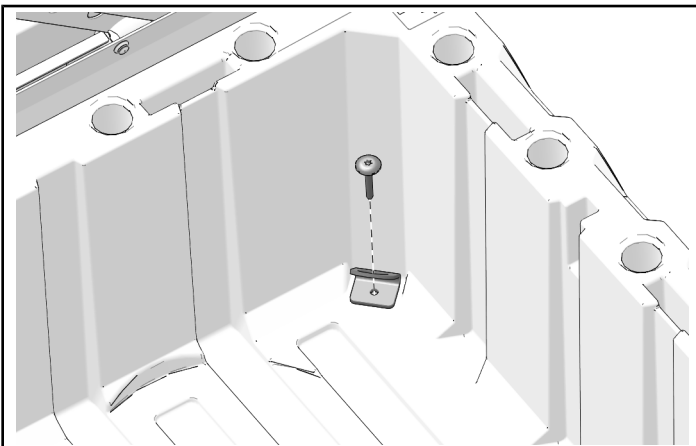
INSTALLATION WITH NO TIE DOWN BRACKETS

Requires no cuts or drilling. It is the least secure but offers the most protection.

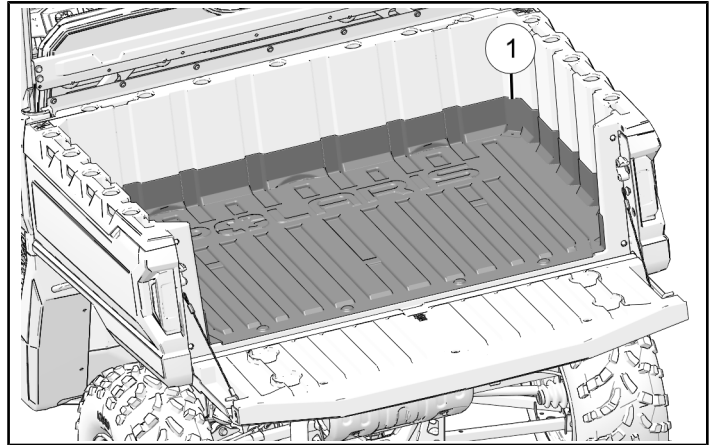
⚠ WARNING

If transporting vehicle in non-enclosed trailer then Bed Mat must be removed.
Failure to comply may allow airflow, vibration, or other factors to separate Bed Mat from vehicle and cause an accident, resulting in serious personal injury or death.

1. Remove and keep four screws and tie down brackets.



2. Install bed mat ①.



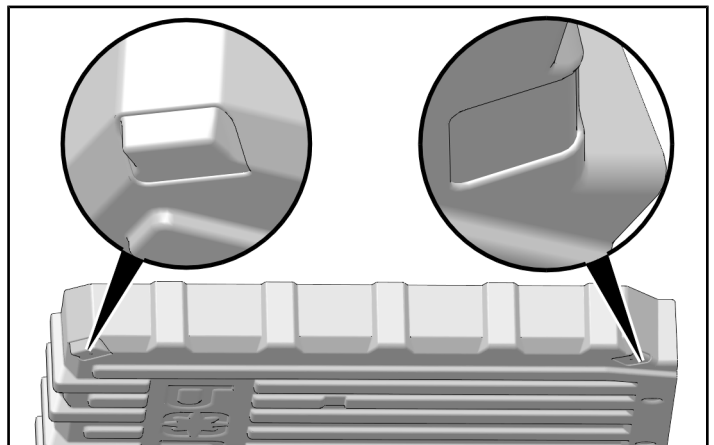
INSTALLATION WITH TIE DOWN BRACKETS AND CUTS

Allows for easy removal and gives access to tie downs.

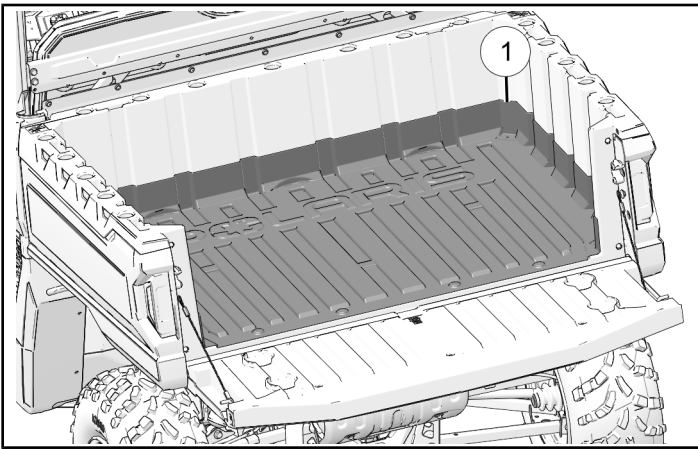
⚠ WARNING

If transporting vehicle in non-enclosed trailer then Bed Mat must be removed.
Failure to comply may allow airflow, vibration, or other factors to separate Bed Mat from vehicle and cause an accident, resulting in serious personal injury or death.

1. Cut out recessed area from each corner of bed mat.



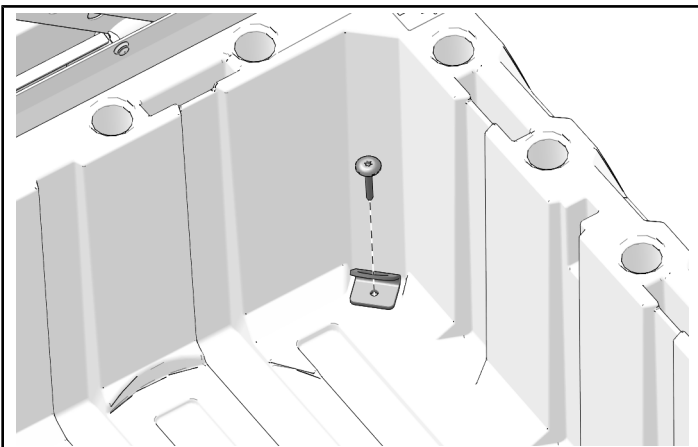
2. Install bed mat ①.



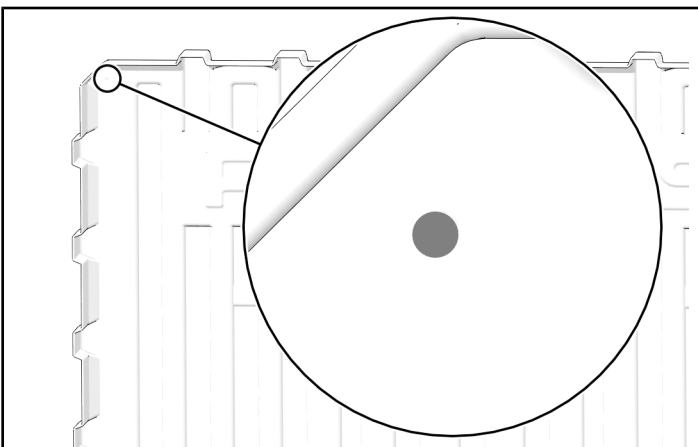
INSTALLATION WITH TIE DOWN BRACKETS AND DRILLED HOLES

The most secure way to install the bed mat. Does not require removal for transportation.

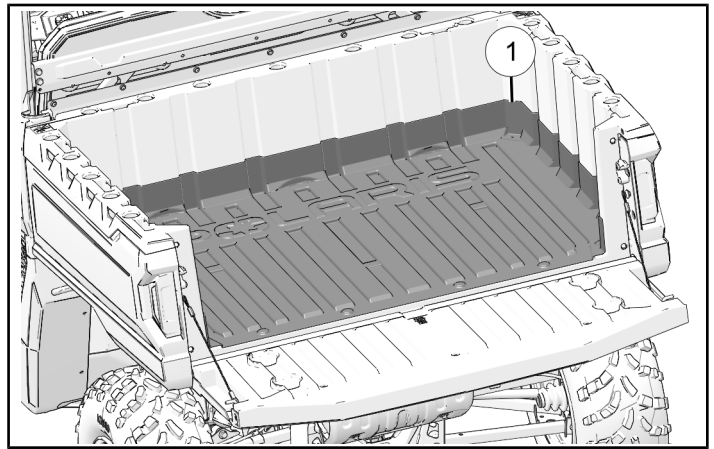
1. Remove and keep four screws and four tie down brackets.



2. Drill a 5/16 in (8 mm) hole in each corner at the dimple.



3. Install bed mat ①.



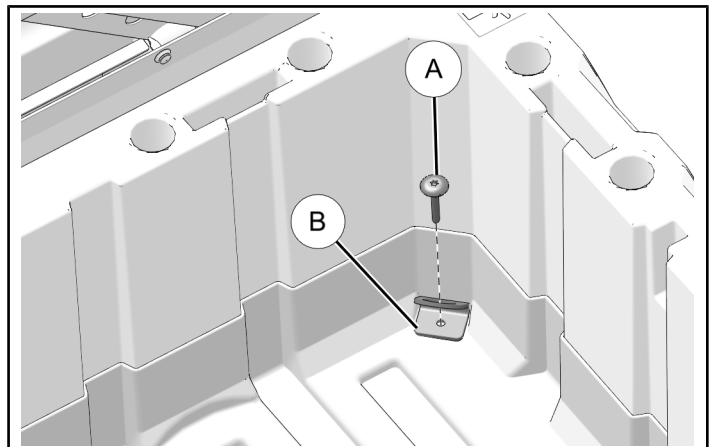
4. Install four tie down brackets (B) and torque retained screws (A).

TORQUE

Four screws (A):
44 in-lbs (5 N·m)

NOTICE

One tie down bracket shown, others similar.



INSTRUCTION FEEDBACK FORM

A feedback form has been created for the installer to provide any comments, questions or concerns about the installation instructions. The form is viewable on mobile devices by scanning the QR code or by clicking [HERE](#) if viewing on a PC.

