

REAR VIEW MIRROR KIT



P/N 2889187

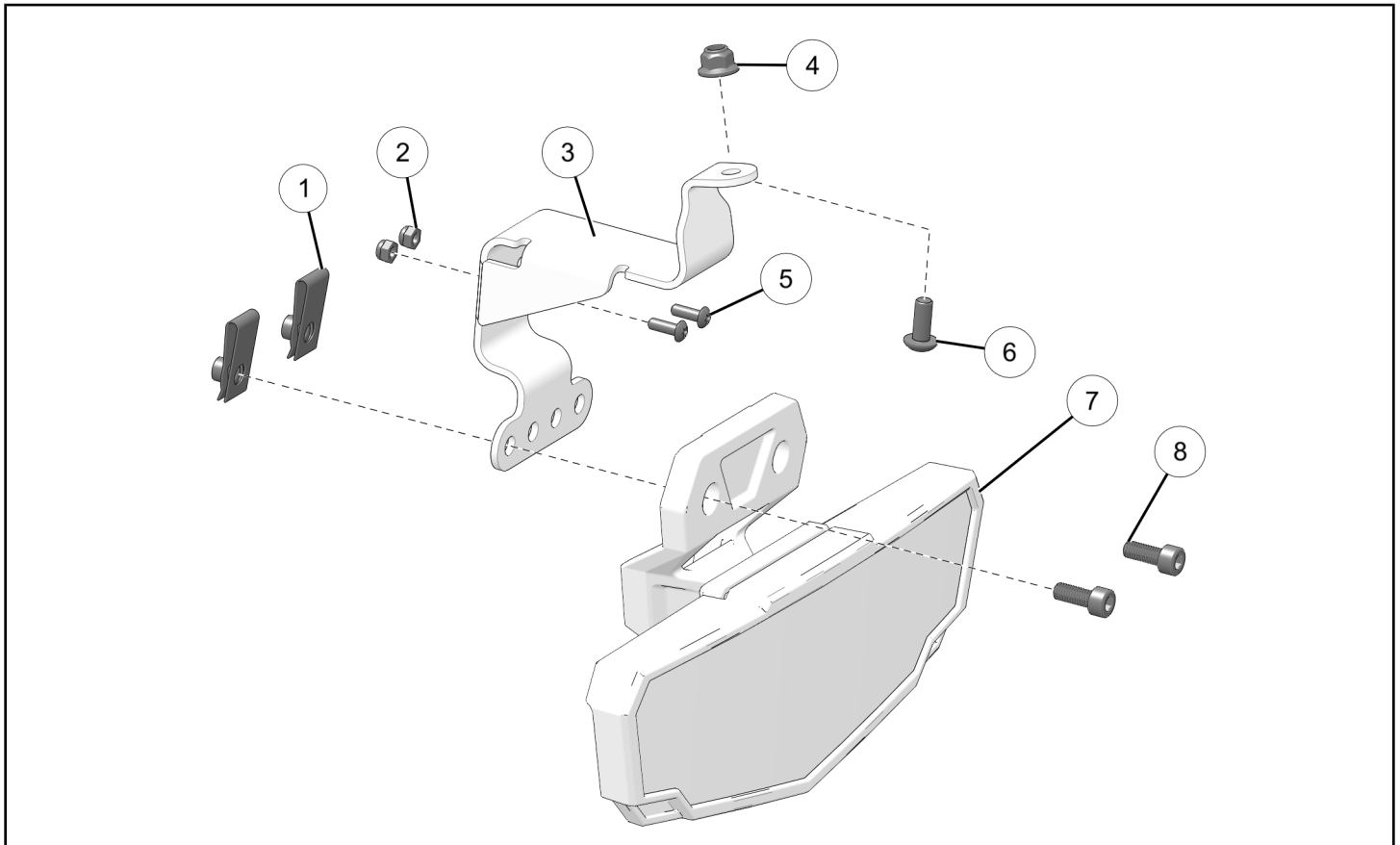
BEFORE YOU BEGIN

Read these instructions and check to be sure all parts and tools are accounted for. Please retain these installation instructions for future reference and parts ordering information.

APPLICATION

Verify accessory fitment at www.polaris.com.

KIT CONTENTS



REF	QTY	PART DESCRIPTION	P/N AVAILABLE SEPARATELY
1	2	U Nut, Clip	n/a
2	2	Locking nut, Hex, M4 x 0.7 mm	7547126
3	1	Mirror bracket	5271533
4	1	Locking Nut, Hex M6 x 1.0 mm	7547339
5	2	Screw, Torx® Pan Head, M4 x 0.7 x 12 mm	7521002
6	1	Screw, Torx® Pan Head, M6 x 1.0 x 15 mm	7518656
7	1	Mirror Assembly	2638411
8	2	Screw, Socket Head, M6 x 1.0 x 15 mm	n/a

TOOLS REQUIRED

- Safety Glasses
- Hex Key Set, Metric
- Socket Set, Hex Bit, Metric
- Socket Set, Metric
- Socket Set, Torx® Bit
- Torque Wrench
- Wrench Set, Metric

IMPORTANT

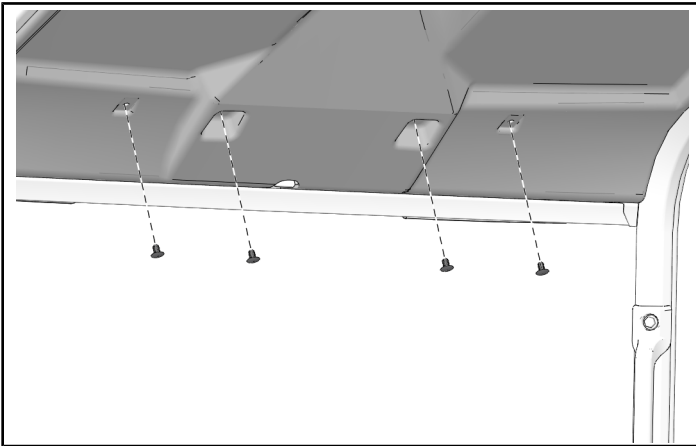
Your Rear View Mirror Kit is exclusively designed for your vehicle. Please read the installation instructions thoroughly before beginning. Installation is easier if the vehicle is clean and free of debris. For your safety, and to ensure a satisfactory installation, perform all installation steps correctly in the sequence shown.

INSTALLATION INSTRUCTIONS

VEHICLE PREPARATION

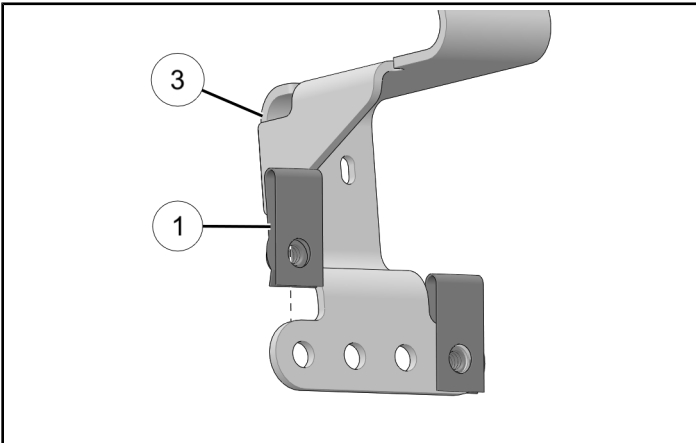
GENERAL

1. Park vehicle on a flat surface.
2. Shift vehicle into PARK.
3. Turn key to OFF position and remove key.
4. Models equipped with roof liner:-
Remove four push-darts from roof liner to access windshield mounting plate.



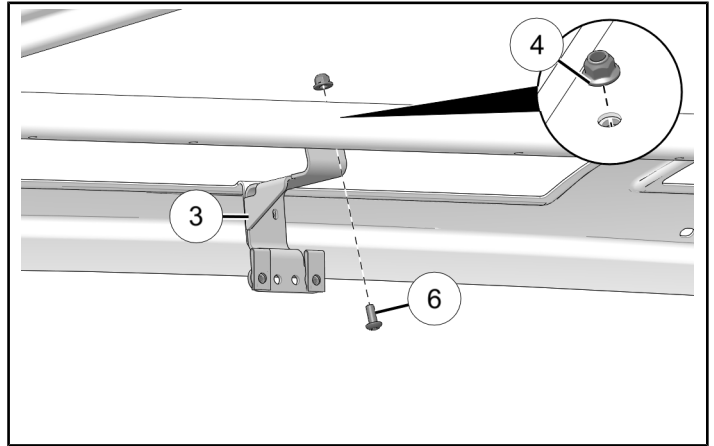
ACCESSORY INSTALLATION

1. Install two U-nuts (1) onto mirror bracket (3).



2. Align mirror bracket (3) with windshield mounting plate and install with one bolt (6) and one nut (4).

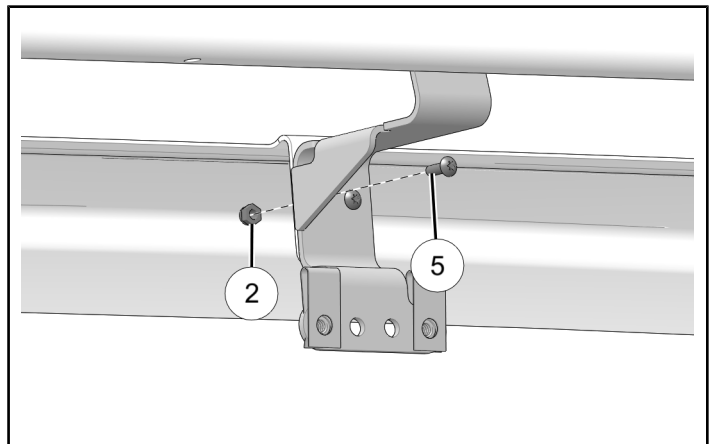
Do not torque fastener at this time.



3. Install mirror bracket to windshield mounting plate with two bolts (5) and two nuts (2). Counter-hold nuts and torque two bolts to specification.

TORQUE

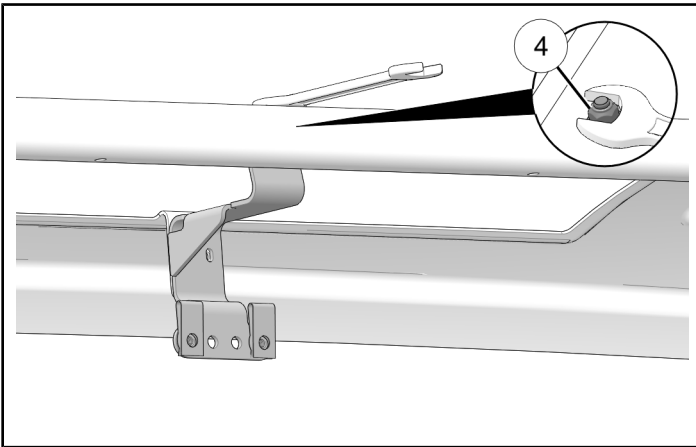
Lower Mirror Bracket Bolts (5):
62 in-lbs (7 N·m)



- Counter-hold nut ④ and torque upper bolt ⑥ to specification.

TORQUE

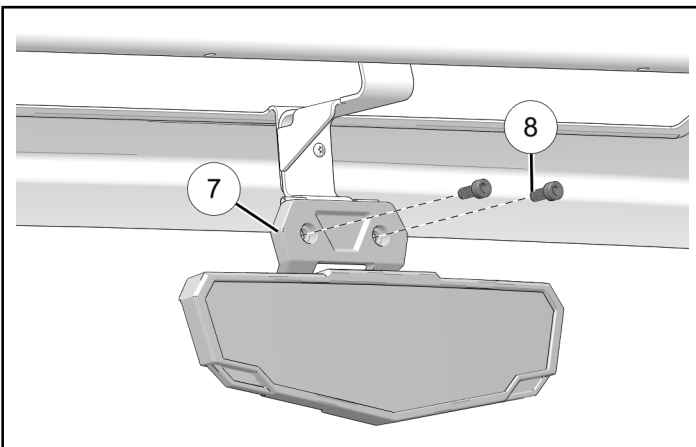
Upper Mirror Bracket Bolt ⑥:
9 in-lbs (12 N·m)



- Install mirror assembly ⑦ to mirror bracket with two bolts ⑧. Torque two bolts to specification.

TORQUE

Mirror Assembly Bolts ⑧:
62 in-lbs (7 N·m)

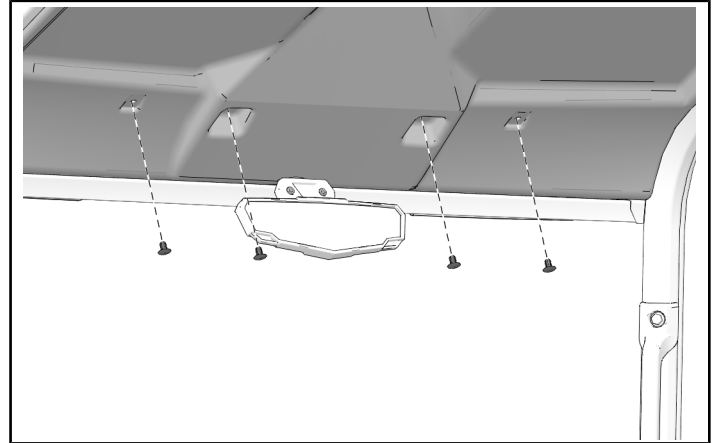


VEHICLE REASSEMBLY

GENERAL

MODEL EQUIPPED WITH ROOF LINER

- Install roof liner with four push-darts.



MIRROR ADJUSTMENT

- Tighten or loosen 3 screws at back of mirror to adjust tension on the ball joint assembly.

NOTICE

Parts hidden for clarity.

