

FRONT A-ARM GUARDS KIT



P/N 2884714

BEFORE YOU BEGIN

Read these instructions and check to be sure all parts and tools are accounted for. Please retain these installation instructions for future reference and parts ordering information.

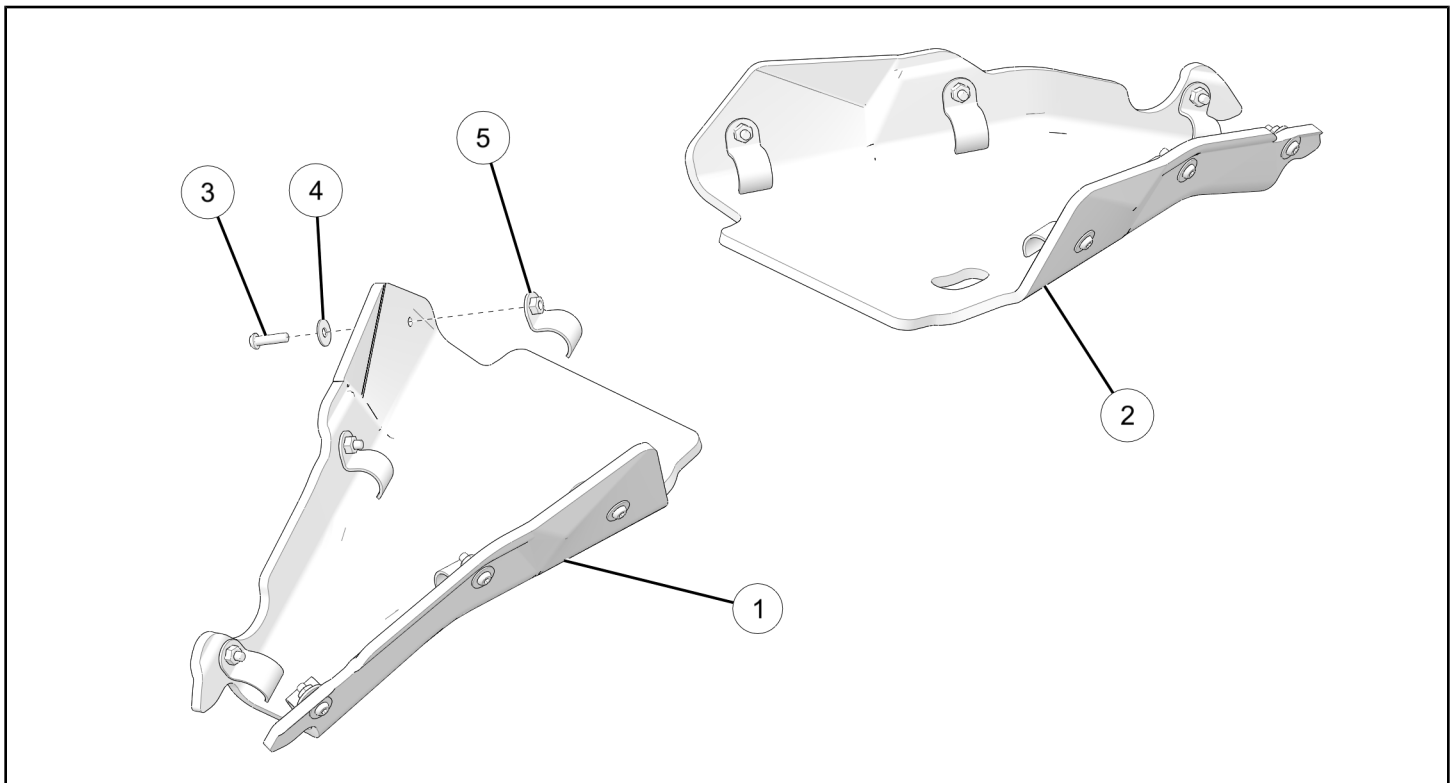
APPLICATION

Verify accessory fitment at www.polaris.com.

IMPORTANT

P/N 2884714 Front A-Arm Guards Kit cannot be used with P/N 2890013 or P/N 2890014 Track Mount Kits.

KIT CONTENTS



REF	QTY	PART DESCRIPTION	P/N AVAILABLE SEPARATELY	AVAILABLE SERVICE KIT
1	1	Front A-Arm Guard, Right	n/a	n/a
2	1	Front A-Arm Guard, Left	n/a	n/a
3	12	Screw, Button Head M8 x 1.25 x 30 mm	7517502	2209295
4	12	Washer	7556045	2209295
5	12	Weld – P-Clamp	n/a	2209295

TOOLS REQUIRED

- Safety Glasses
- Hex Key Set, Metric
- Socket Set, Hex Bit, Metric
- Torque Wrench

IMPORTANT

Your Front A-Arm Guards Kit is exclusively designed for your vehicle. Please read the installation instructions thoroughly before beginning. Installation is easier if the vehicle is clean and free of debris. For your safety, and to ensure a satisfactory installation, perform all installation steps correctly in the sequence shown.

INSTALLATION INSTRUCTIONS

VEHICLE PREPARATION

GENERAL

1. Park vehicle on a flat surface.
2. Shift vehicle into PARK.
3. Turn key to OFF position and remove key.

ACCESSORY INSTALLATION

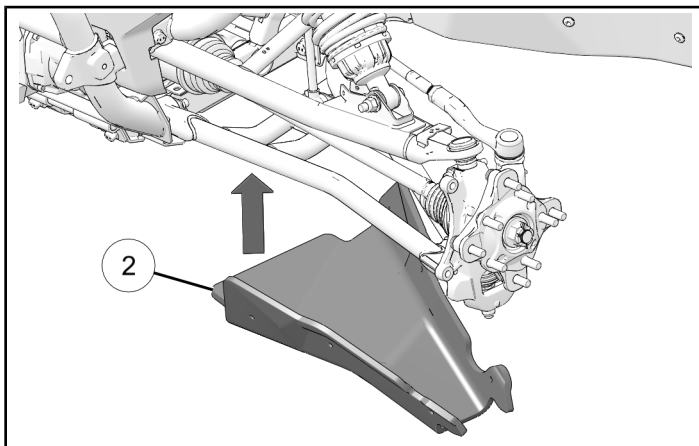
1. Lift guard ② into position.

NOTICE

Left side shown, right side similar.

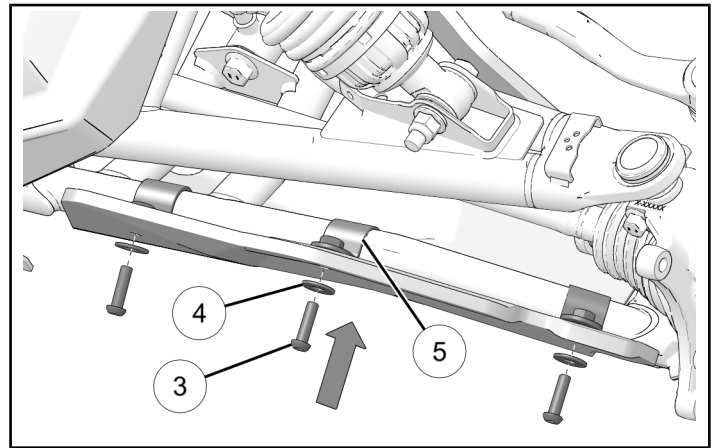
NOTICE

Tire, wheel, and brakes hidden for clarity.



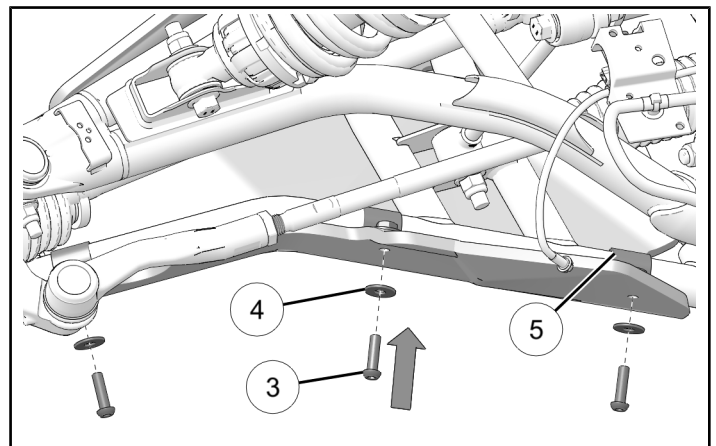
2. Loosely install three screws ③, washers ④, and clamps ⑤ on front side of guard.

DO NOT torque fasteners at this time.



3. Loosely install three screws ③, washers ④, and clamps ⑤ on rear side of guard.

DO NOT torque fasteners at this time.



4. Torque all screws to specification.

TORQUE

Screws ③:
15 ft-lbs (20 N·m)

INSTRUCTION FEEDBACK FORM

A feedback form has been created for the installer to provide any comments, questions or concerns about the installation instructions. The form is viewable on mobile devices by scanning the QR code or by clicking [HERE](#) if viewing on a PC.

