

# EXTERNAL LATCH KIT



P/N 2889402, 2889403

## BEFORE YOU BEGIN

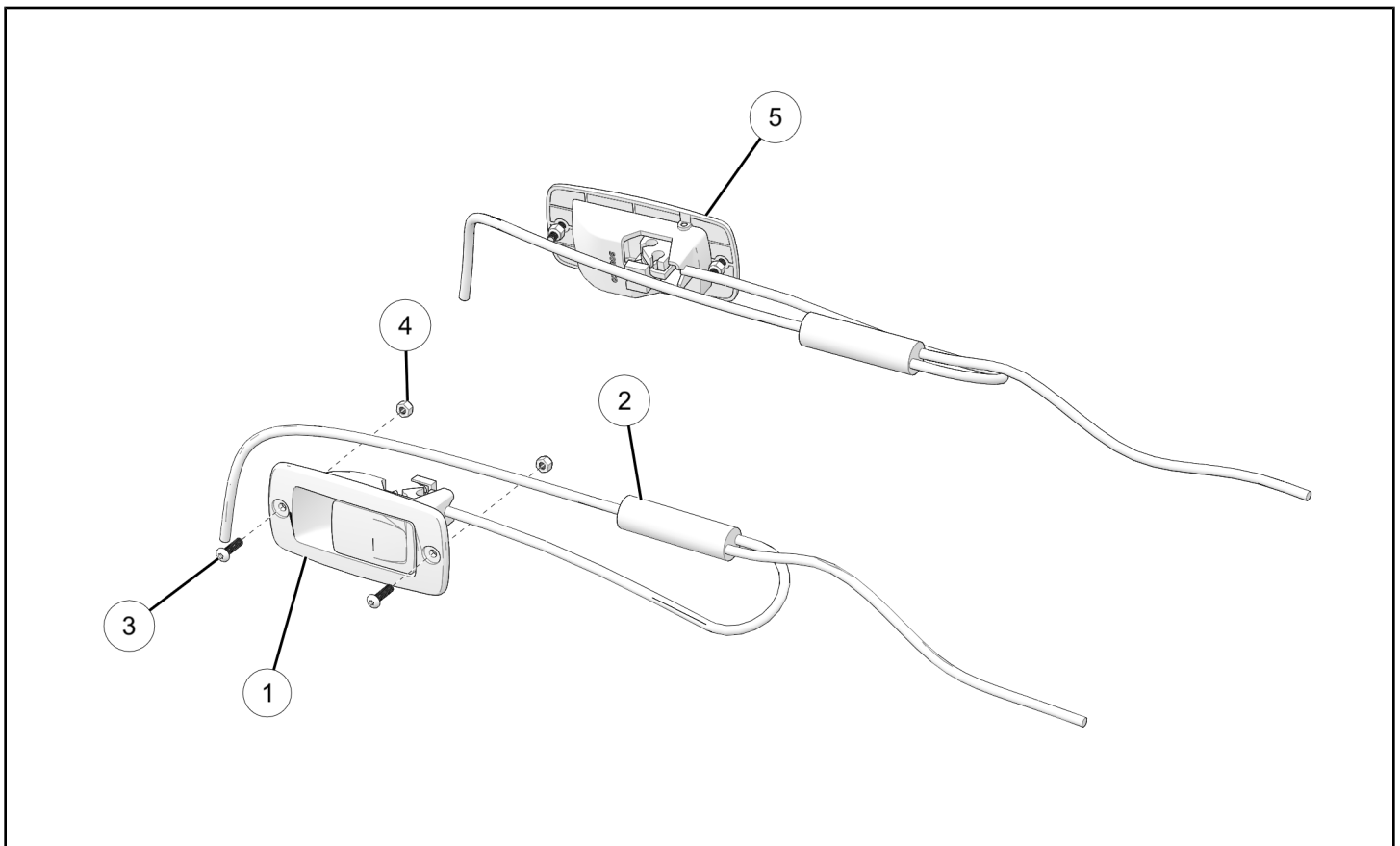
Read these instructions and check to be sure all parts and tools are accounted for. Please retain these installation instructions for future reference and parts ordering information.

## APPLICATION

Verify accessory fitment at [www.polaris.com](http://www.polaris.com).

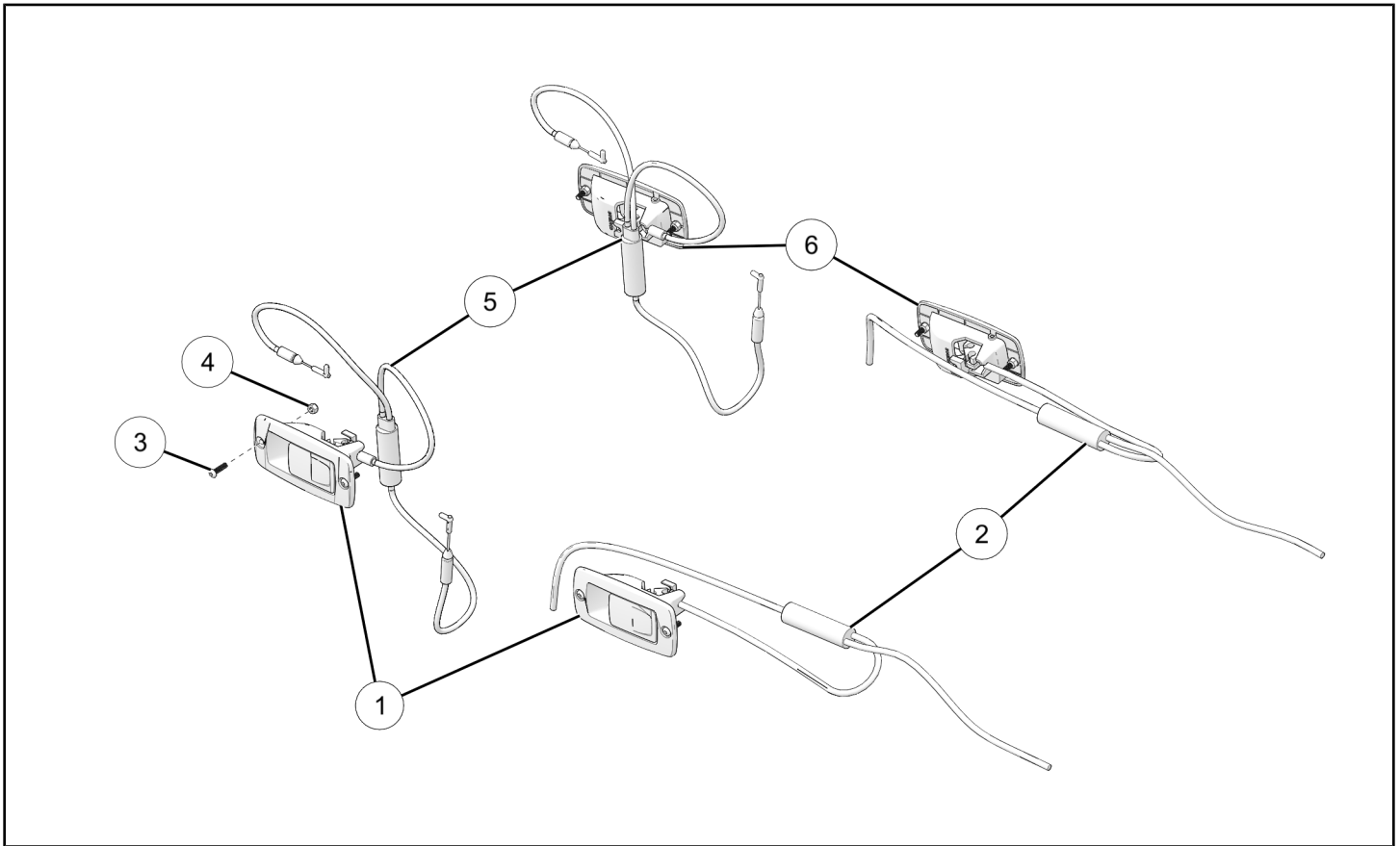
## KIT CONTENTS

### 2-PASSENGER P/N 2889402



REF	QTY	PART DESCRIPTION	P/N AVAILABLE SEPARATELY
1	1	Door Handle, Right	n/a
2	2	Door Handle Cable	n/a
3	4	Screw-Hex Button Head, M4 x 0.7 x 16 mm	n/a
4	4	Nut, Nylon Locking, M4 x 0.7 mm	n/a
5	1	Door Handle, Left	n/a

## MULTI-PASSENGER P/N 2889403



REF	QTY	PART DESCRIPTION	P/N AVAILABLE SEPARATELY
1	2	Door Handle, Right	n/a
2	2	Door Handle Cable, Front	n/a
3	8	Screw-Hex Button Head, M4 x 0.7 x 16 mm	n/a
4	8	Nut, Nylon Locking, M4 x 0.7 mm	n/a
5	2	Door Handle Cable, Rear	n/a
6	2	Door Handle, Left	n/a

### TOOLS REQUIRED

- Safety Glasses
- Drill
- Drill Bit:
  - 3/16 in
- Socket Set, Torx® Bit
- Wrench Set, Metric
- Cutting Tool

### IMPORTANT

Your External Latch Kit is exclusively designed for your vehicle. Please read the installation instructions thoroughly before beginning. Installation is easier if the vehicle is clean and free of debris. For your safety, and to ensure a satisfactory installation, perform all installation steps correctly in the sequence shown.

# INSTALLATION INSTRUCTIONS

## VEHICLE PREPARATION

### GENERAL

1. Park vehicle on a flat surface.
2. Shift vehicle into PARK.
3. Turn key to OFF position and remove key.

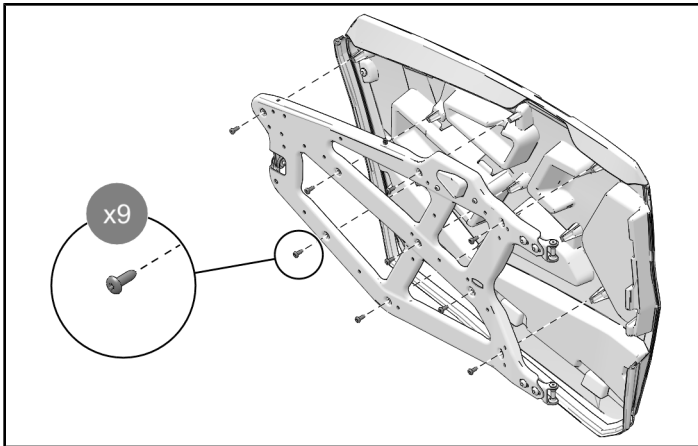
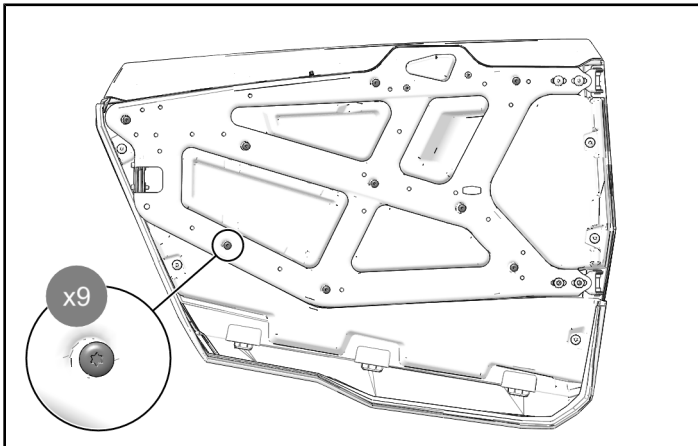
## ACCESSORY INSTALLATION

### 2 PASSENGER

#### NOTICE

Left side shown; right side similar.

1. Open the door.
2. Remove and keep the nine fasteners from door panel. Remove the door panel from the door frame.

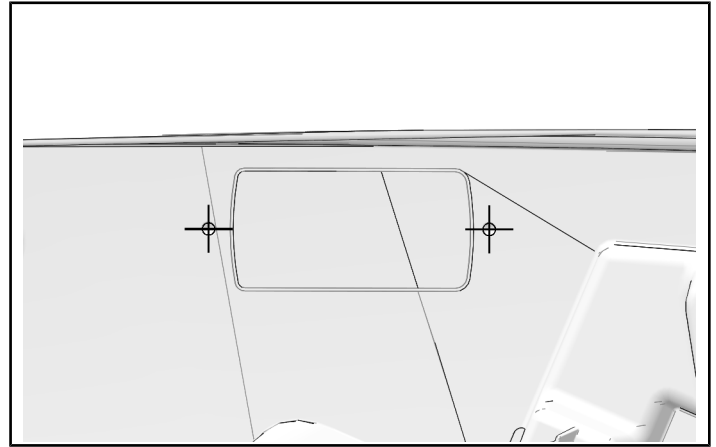


3. Locate the door panel cutline marks.

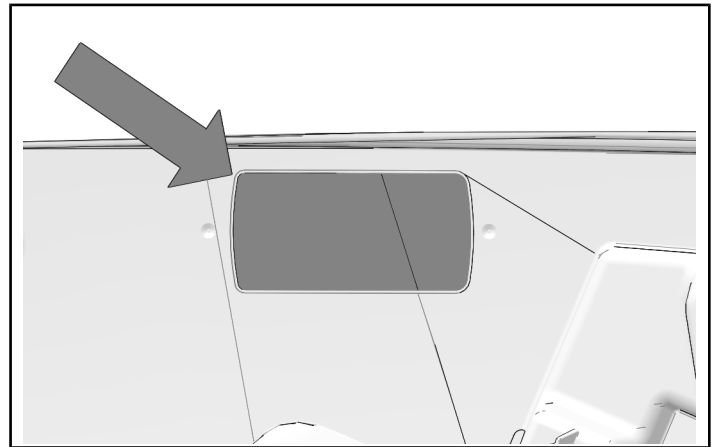
4. Drill two holes for fasteners.

#### MEASUREMENT

Drill Bit Size:  
**3/16 in**



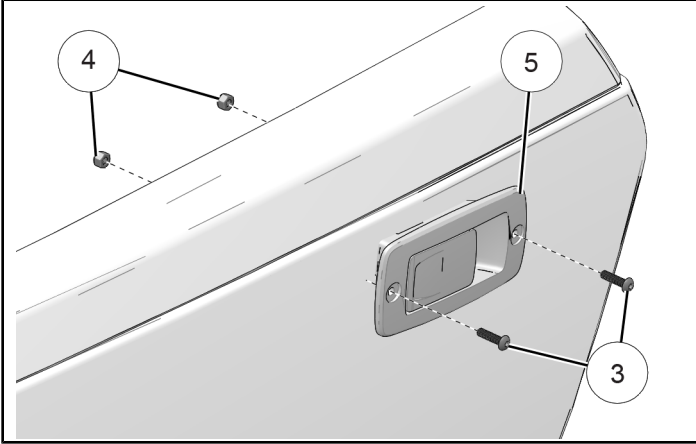
5. Cut plastic within lines of the door handle cutline marks.



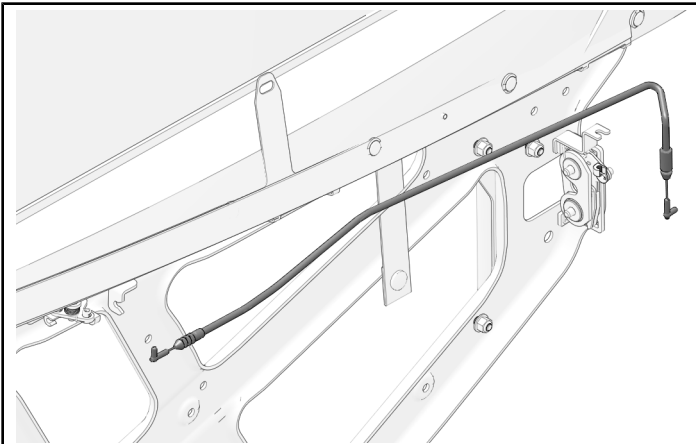
6. Install door handle assembly ⑤ into door panel and attach with two fasteners ③ and nuts ④. Torque fasteners to specification.

**TORQUE**

Door Handle Fasteners ③:  
**18 in-lbs (2 N·m)**



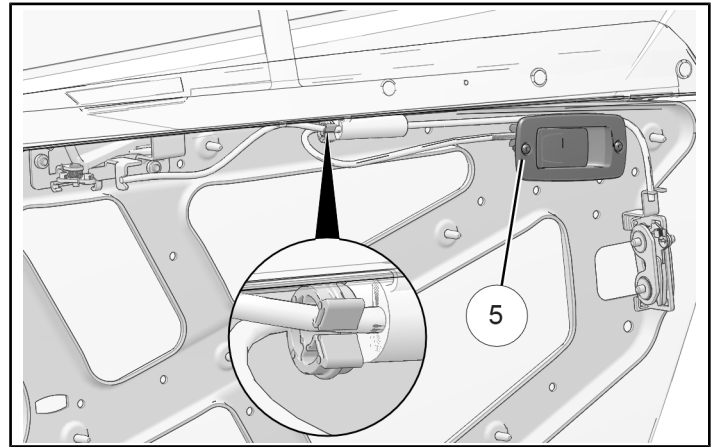
7. Remove and discard door handle cable.



8. Place door near door frame and install door handle cable onto inner door actuator and handle.

**NOTICE**

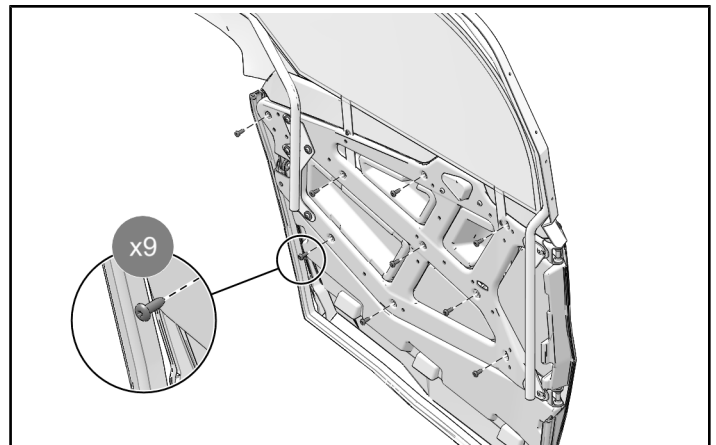
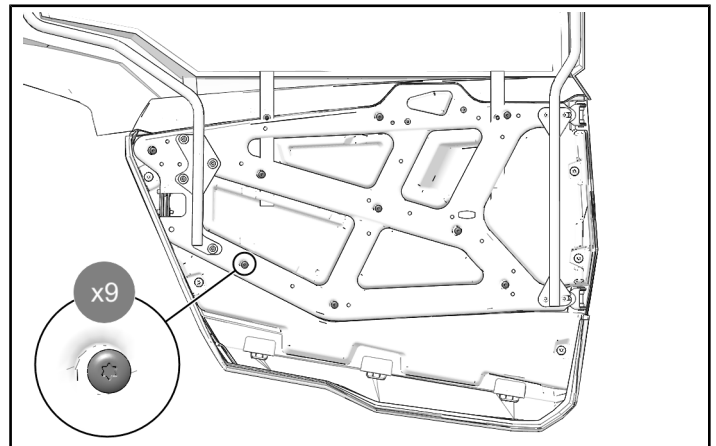
Make sure to secure door handle cable in routing clip.



9. Align door panel mounting holes with frame and install the nine retained fasteners. Torque fasteners to specification.

**TORQUE**

Door Panel Fasteners:  
**18 in-lbs (2 N·m)**



10. Close the door.

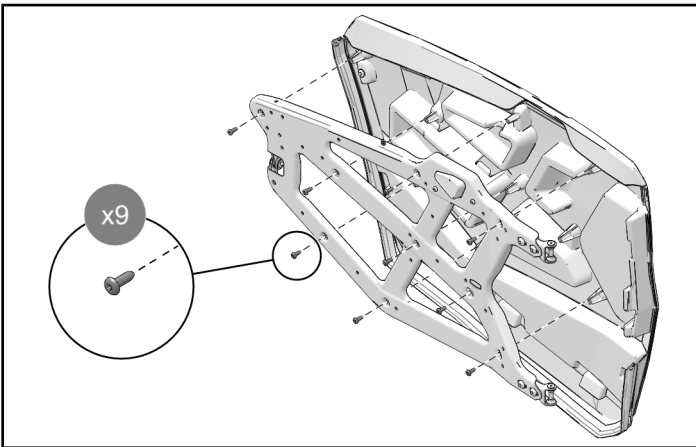
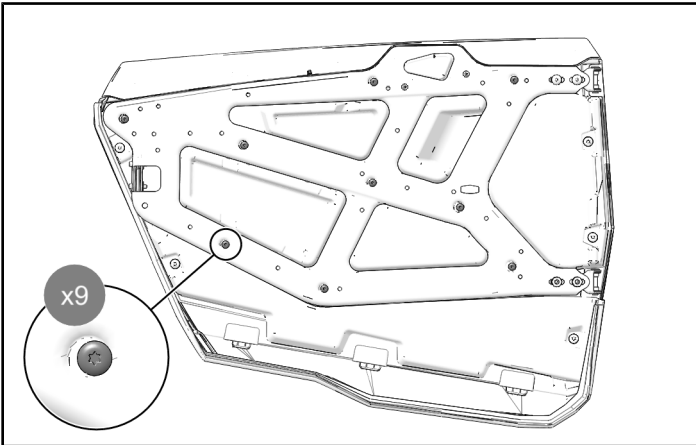
## MULTI-PASSENGER VEHICLES

### FRONT DOOR HANDLE INSTALLATION

#### NOTICE

Left side shown; right side similar.

1. Open the door.
2. Remove and keep the nine fasteners from door panel. Remove the door panel from the door frame.

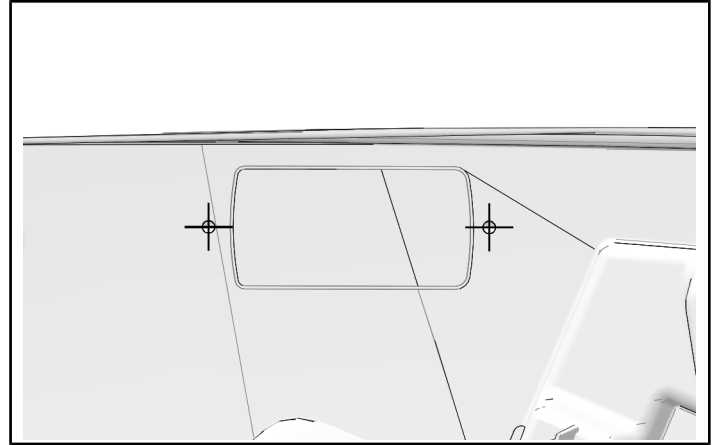


3. Locate the door panel cutline marks.

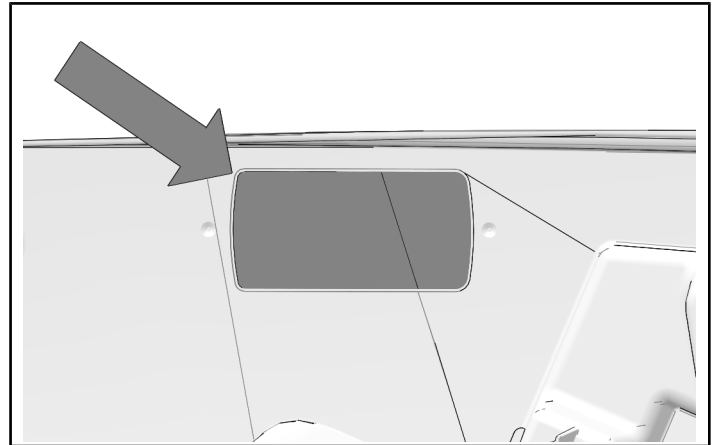
4. Drill two holes for fasteners.

#### MEASUREMENT

Drill Bit Size:  
**3/16 in**



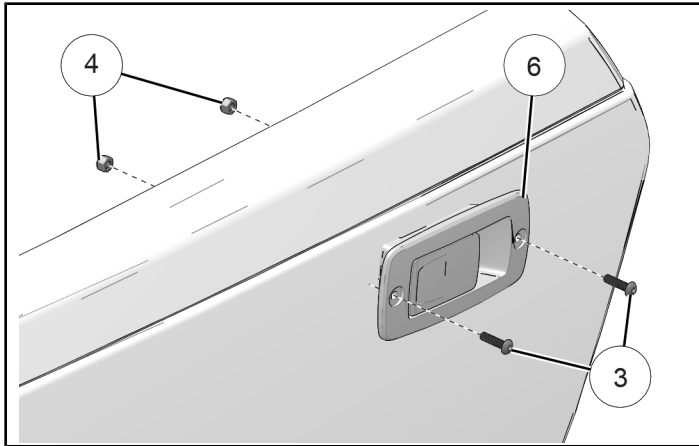
5. Cut plastic within lines of the door handle cutline marks.



- Install door handle assembly ⑥ into door panel and attach with two fasteners ③ and nuts ④. Torque fasteners to specification.

**TORQUE**

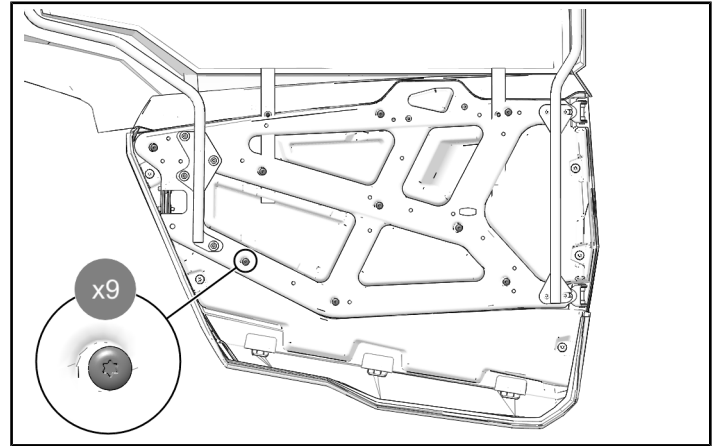
Door Handle Fasteners ③:  
18 in-lbs (2 N·m)



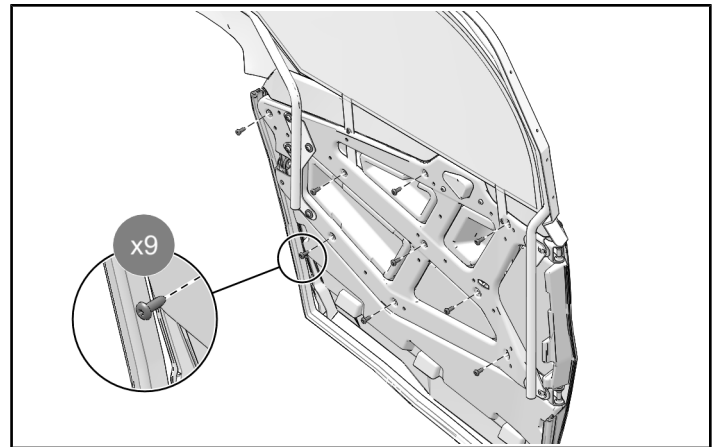
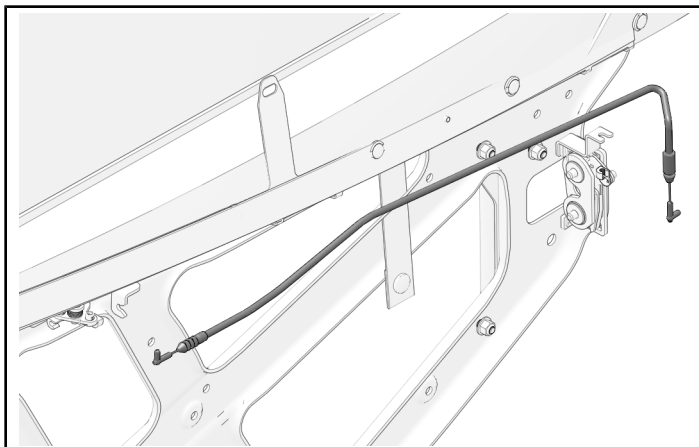
- Align door panel mounting holes with frame and install the nine retained fasteners. Torque fasteners to specification.

**TORQUE**

Door Panel Fasteners:  
18 in-lbs (2 N·m)



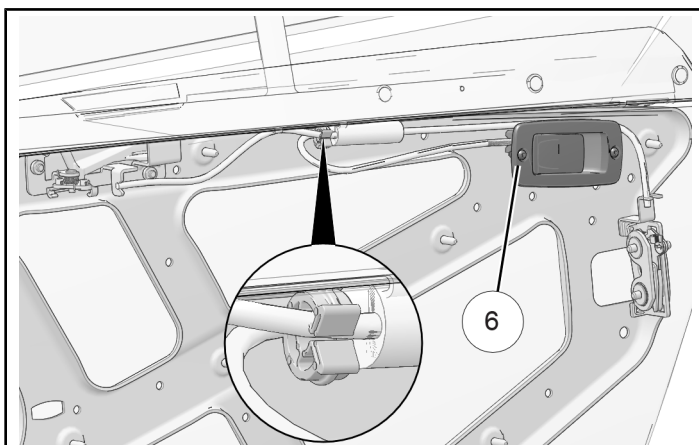
- Remove and discard door handle cable.



- Place door near door frame and install door handle ⑥ cable onto inner door actuator and handle.

**NOTICE**

Make sure to secure door latch cable in routing clip.



- Close the door.

**REAR DOOR HANDLE INSTALLATION**

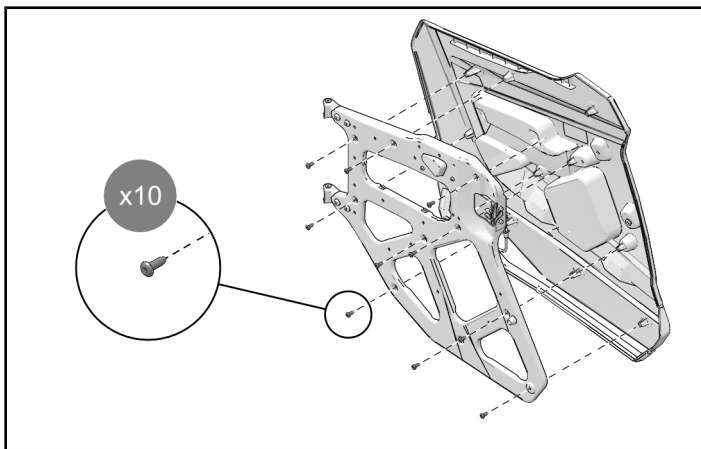
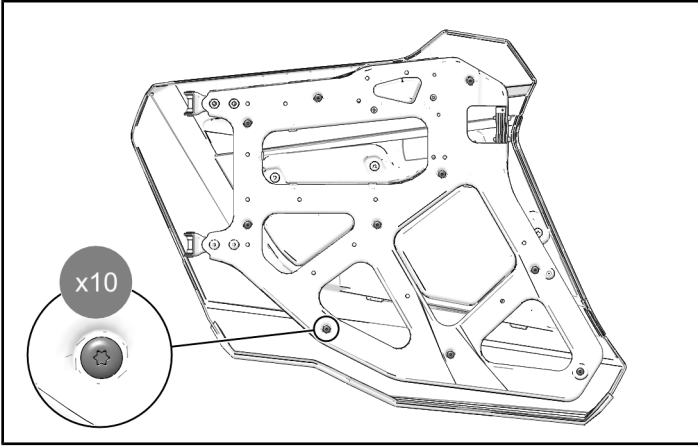
**NOTICE**

Left side shown; right side similar.

- Open the rear door.



2. Remove and keep the ten fasteners from door panel. Remove the door panel from the door frame.

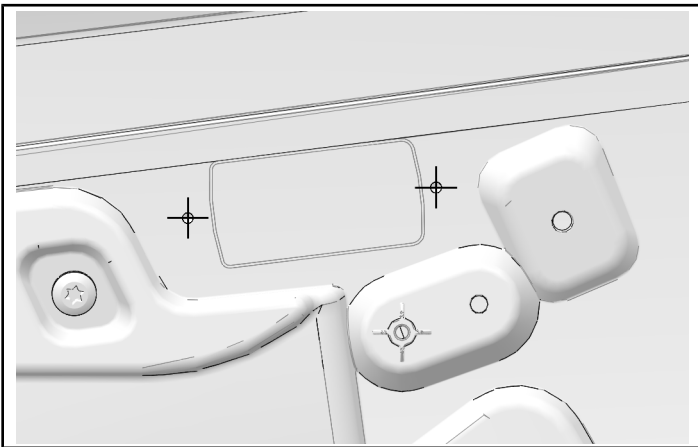


3. Locate the door panel cutline marks.

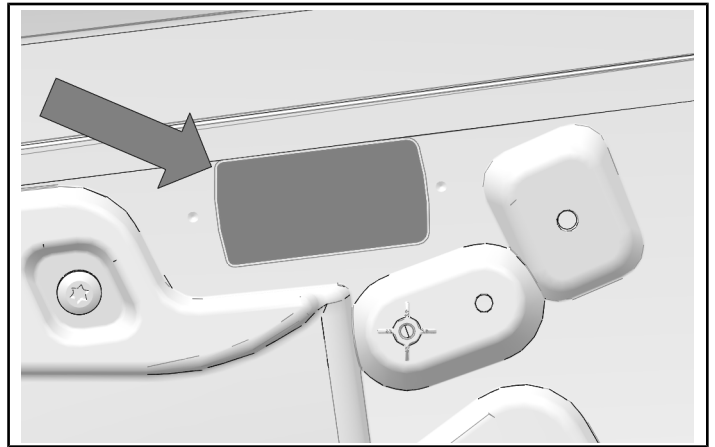
4. Drill two holes for fasteners.

#### MEASUREMENT

Drill Bit Size:  
**3/16 in**



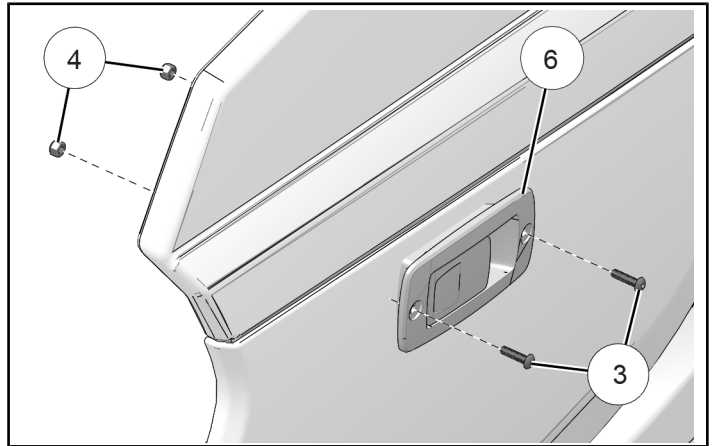
5. Cut plastic within lines of the door handle cutline marks.



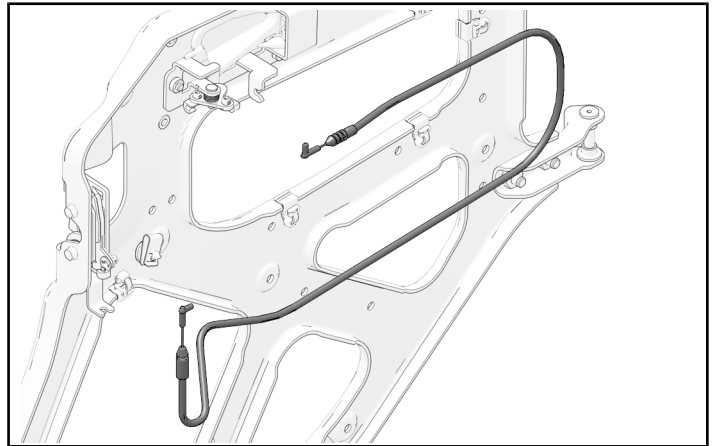
6. Install door handle assembly ⑥ into door panel and attach with two fasteners ③ and nuts ④. Torque fasteners to specification.

#### TORQUE

Door Handle Fasteners ③:  
**18 in-lbs (2 N·m)**



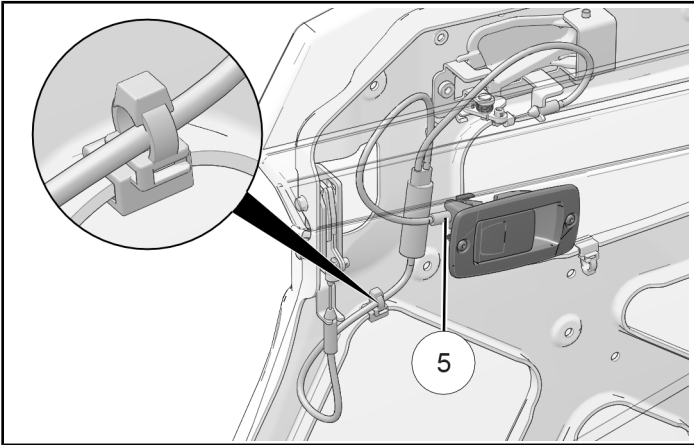
7. Remove and discard door handle cable.



8. Place door near door frame and install door handle cable ⑤ onto inner door actuator and handle.

**NOTICE**

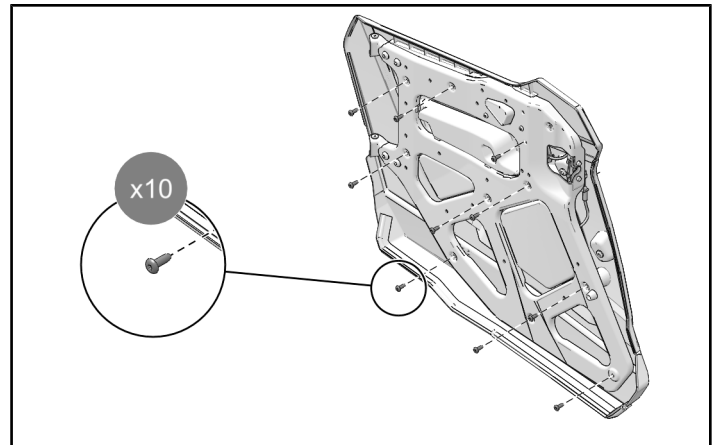
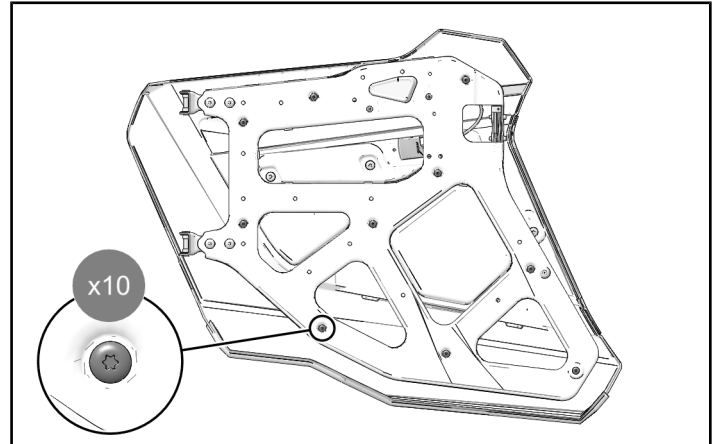
Make sure to secure door latch cable in routing clip.



9. Align door panel mounting holes with frame and install the ten retained fasteners. Torque fasteners to specification.

**TORQUE**

Door Panel Fasteners:  
**18 in-lbs (2 N·m)**



**INSTRUCTION FEEDBACK FORM**

A feedback form has been created for the installer to provide any comments, questions or concerns about the installation instructions. The form is viewable on mobile devices by scanning the QR code or by clicking [HERE](#) if viewing on a PC.

