

LIGHT BAR HARNESS KIT



P/N 2889161

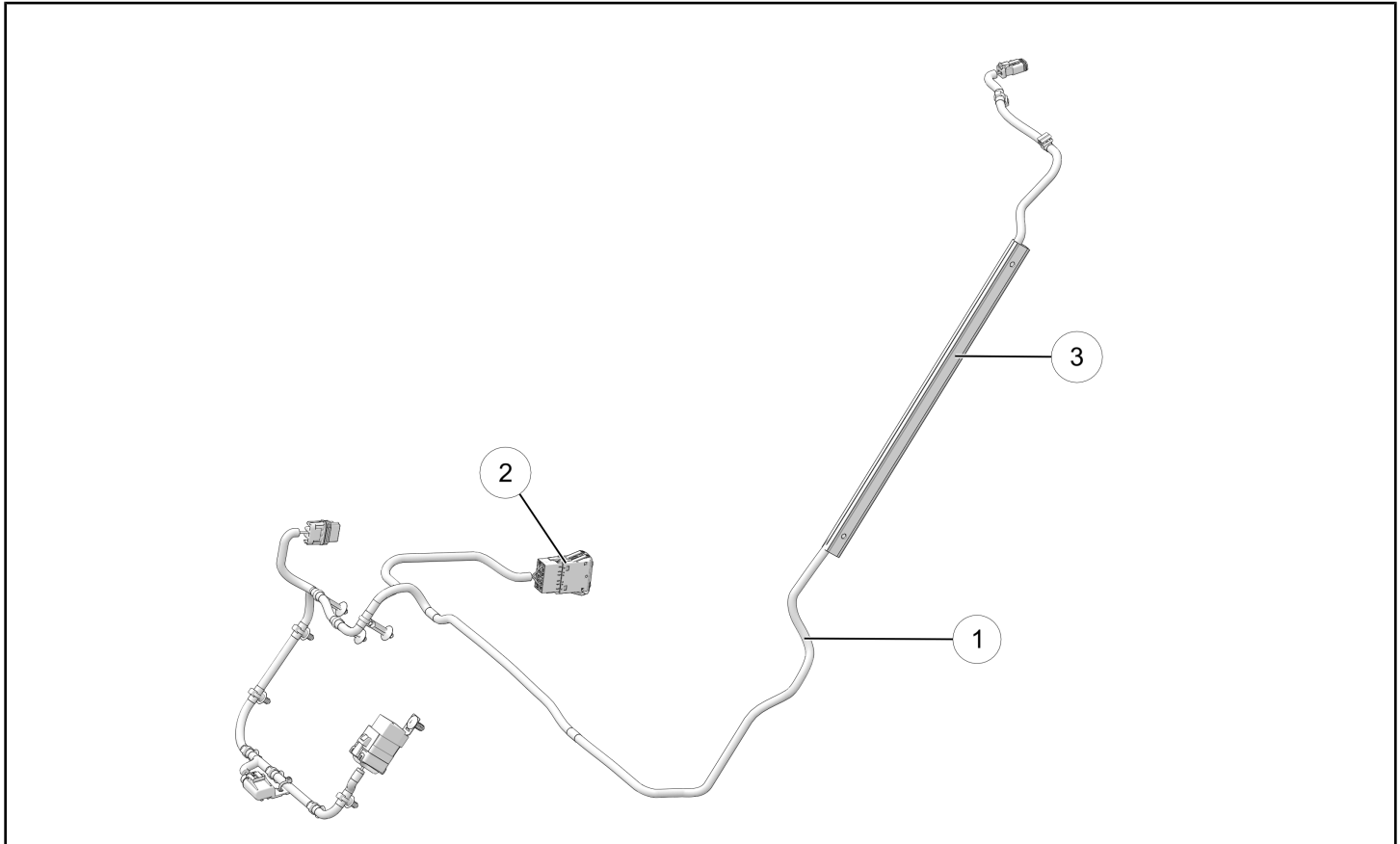
BEFORE YOU BEGIN

Read these instructions and check to be sure all parts and tools are accounted for. Please retain these installation instructions for future reference and parts ordering information.

APPLICATION

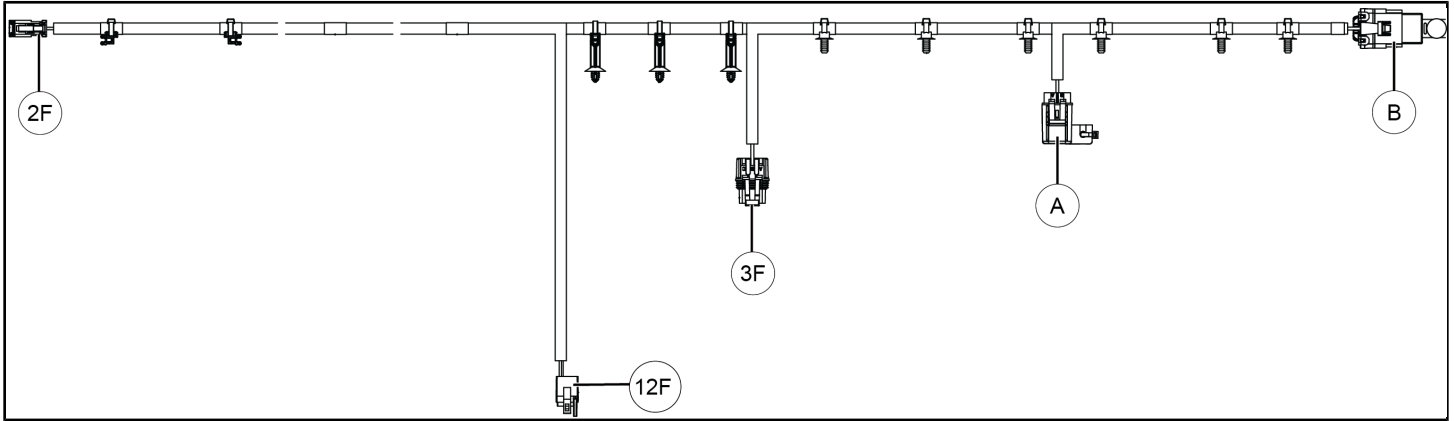
Verify accessory fitment at [Polaris.com](https://www.polaris.com).

KIT CONTENTS



REF	QTY	PART DESCRIPTION	P/N AVAILABLE SEPARATELY
1	1	Harness, Light Bar	2415962
2	1	Switch, Light	4017131
3	1	Channel, Wire Harness	5416632

HARNES DETAIL



REF	PART DESCRIPTION	CONNECTS TO
2F	Connector	Light Bar
12F	Connector	Light Switch
3F	Connector	Pulse Bar
A	Fuse Holder	N/A
B	Relay	N/A

Example: 16F = 16 pin, Female / 16M = 16 pin, Male (Male terminal fits inside female terminal)

TOOLS REQUIRED

- Safety Glasses
- Pliers, Push Pin Rivet
- Push Dart (Panel Clip) Tool
- Screwdriver Set, Torx®
- Socket Set, Torx® Bit
- Utility Knife/ Cutting Tool

CONSUMABLES REQUIRED

- Solvent Wipe (99% Isopropyl Alcohol)

IMPORTANT

Your Light Bar Harness Kit is exclusively designed for your vehicle. Please read the installation instructions thoroughly before beginning. Installation is easier if the vehicle is clean and free of debris. For your safety, and to ensure a satisfactory installation, perform all installation steps correctly in the sequence shown.

INSTALLATION INSTRUCTIONS

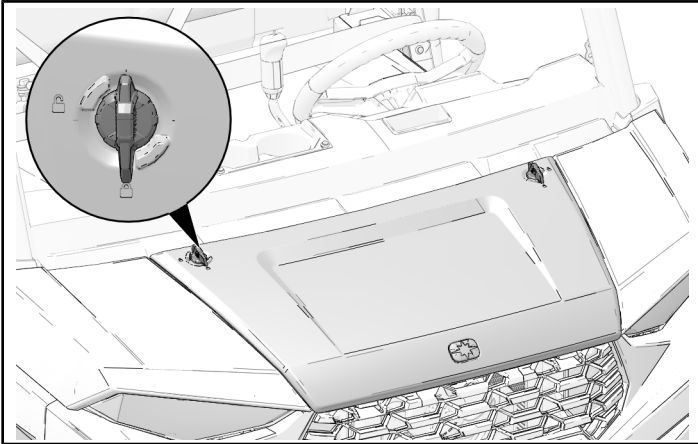
VEHICLE PREPARATION

GENERAL

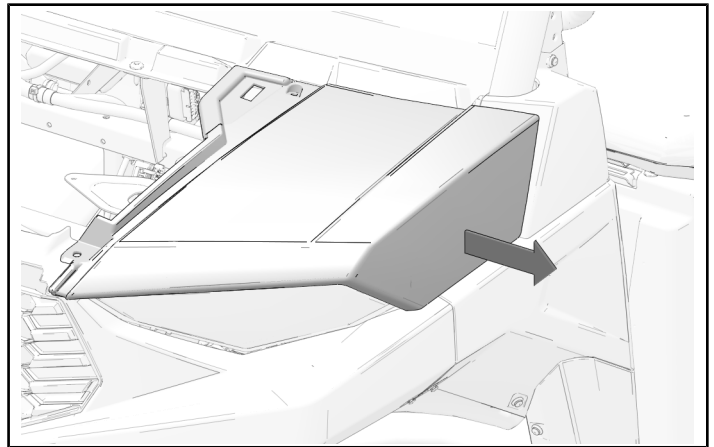
1. Park vehicle on a flat surface.
2. Shift vehicle into PARK.
3. Turn key to OFF position and remove key.

HOOD REMOVAL

1. Turn two quarter-turn fasteners to unlock position to remove hood from vehicle.

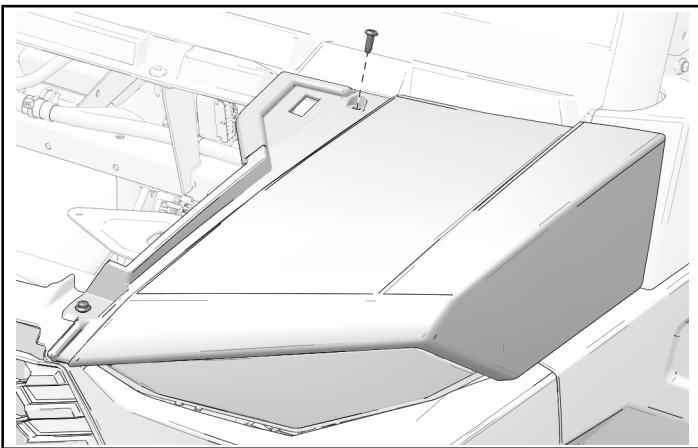


3. Pull outer hood away from vehicle.

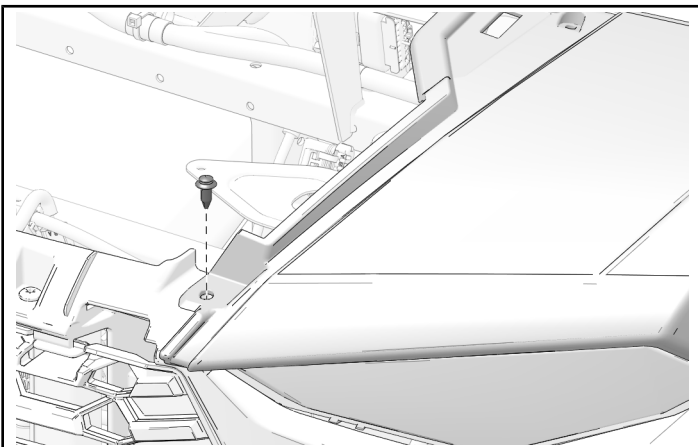


LEFT-HAND HOOD REMOVAL

1. Remove and keep one screw from outer hood.

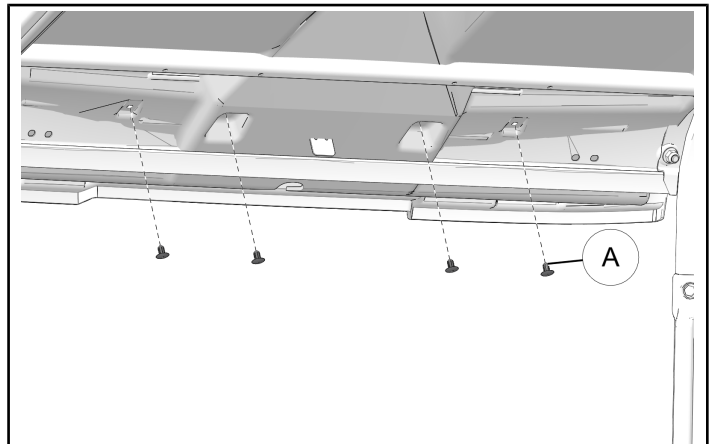


2. Remove and keep one push-pin rivet from outer hood.

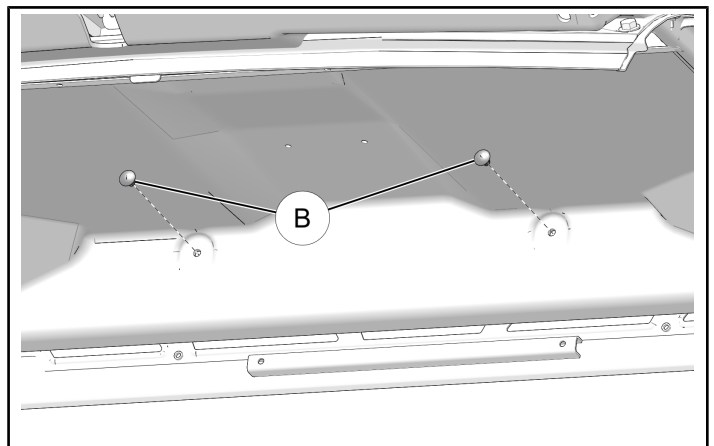


ROOF LINER REMOVAL

1. Remove the four push-darts (A) at the front of roof liner.

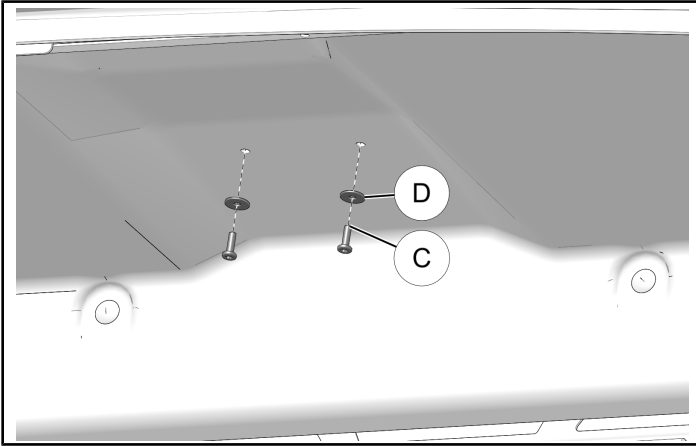


2. Remove the two push-darts (B) at the rear of roof liner.



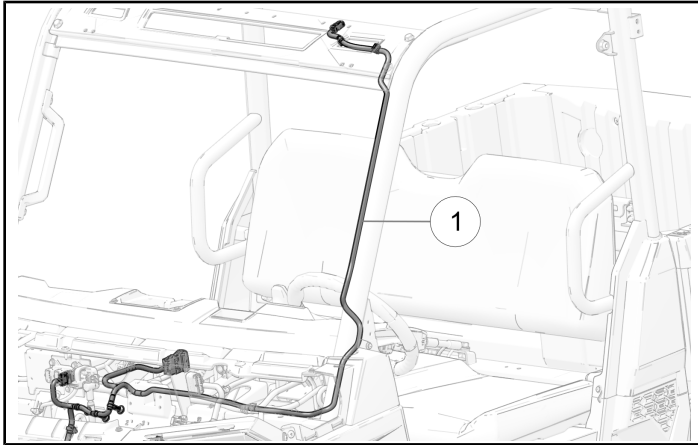
3. While holding the roof liner up, remove two screws ③ and two washers ④ from the middle of roof liner.

4. Remove the roof liner from the vehicle.



ACCESSORY INSTALLATION

1. Route end of harness ① with the two wire connector under the cowling, towards the drivers side of the vehicle. Route the harness up through the dash area, up the drivers side ROPS (Rollover Protection Structure) support, and across the center ROPS.



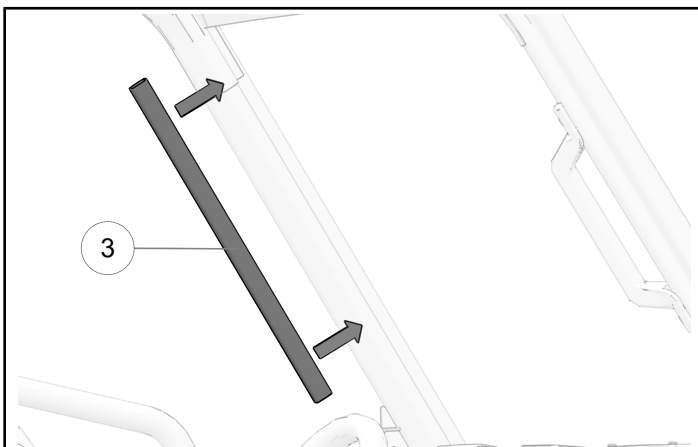
2. Test fit the rubber channel onto the drivers side ROPS support.

NOTICE

The channel may need to be trimmed depending on installed accessories.

NOTICE

The channel should mount with the closure towards the outside of the vehicle.

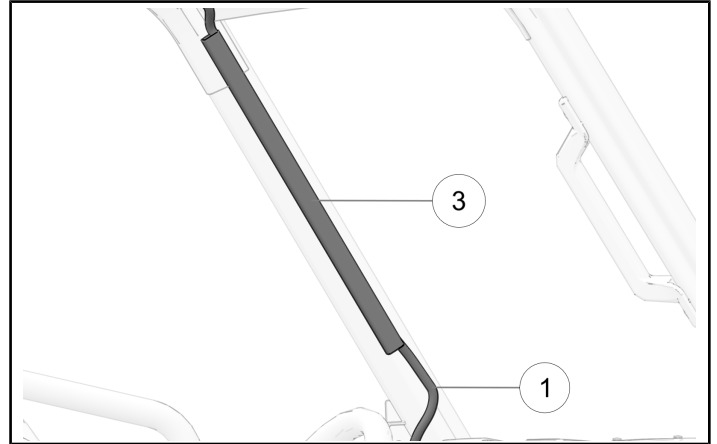


3. Clean the drivers side ROPS support area with an alcohol wipe or adhesion promoter. Install the rubber channel onto the drivers side ROPS support.

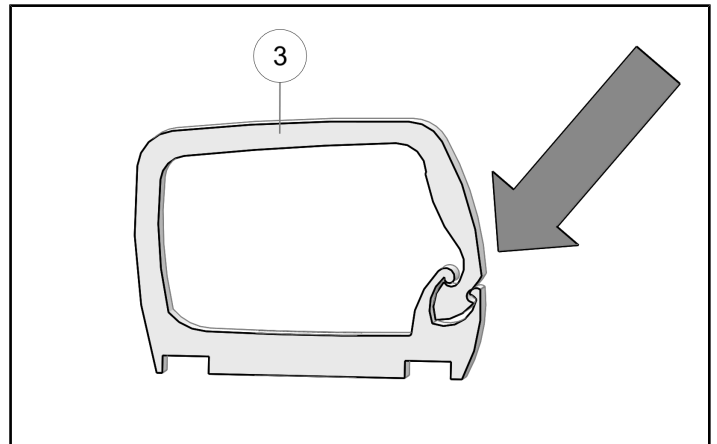
IMPORTANT

The surface of the drivers side ROPS support must be clean, dry, and free of debris.

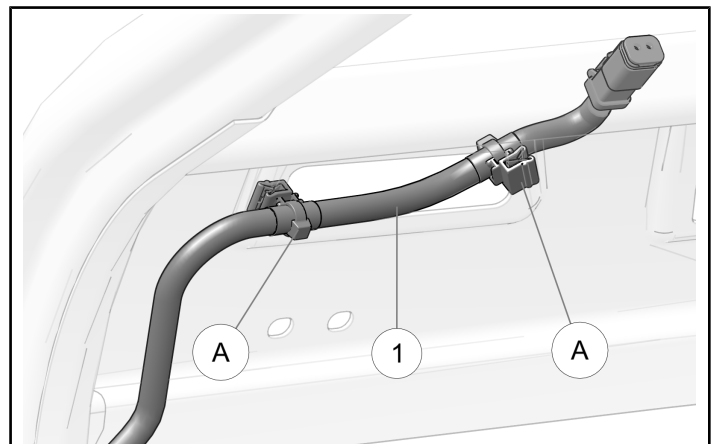
4. Open the rubber channel ③. Pull the wire harness ① through the channel. Route the harness connector towards the center of the machine.



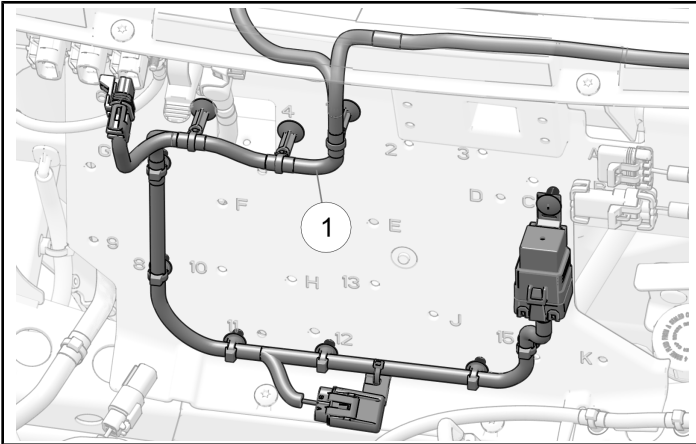
5. Once the harness is routed through the channel, close the channel ③.



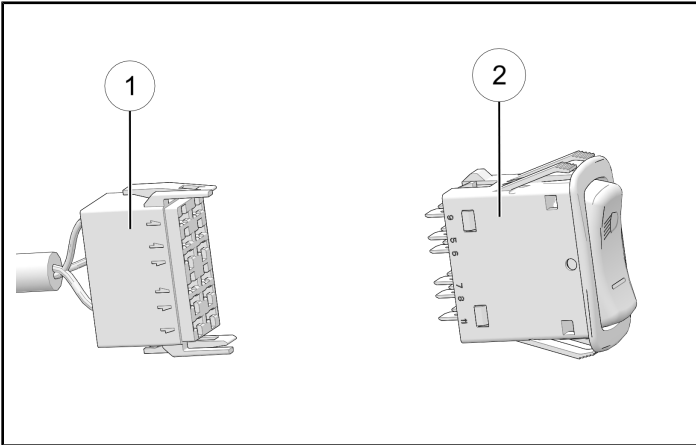
6. Attach the harness using attached edge clips ① to the ROPS as shown.



7. Route the lower portion of the light bar harness ① into the front hood compartment. Attach the light bar harness by pushing the push pin rivets into the locations on the machine as shown.



8. Remove the light bar switch ② from the harness ①. Route the harness towards the switch panel in the center of the machine.



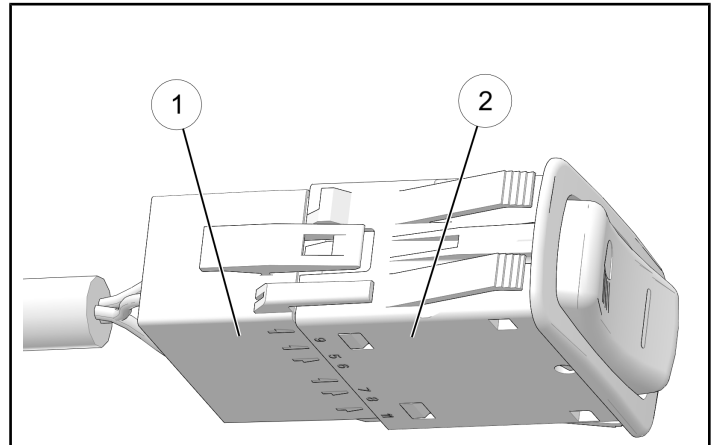
9. Cut out one of the blank switch locations in the center of the dash using a utility knife or similar tool.

NOTICE

Blank switch locations may vary based on vehicle options. Any unused switch blank in the center dash area shown may be used.

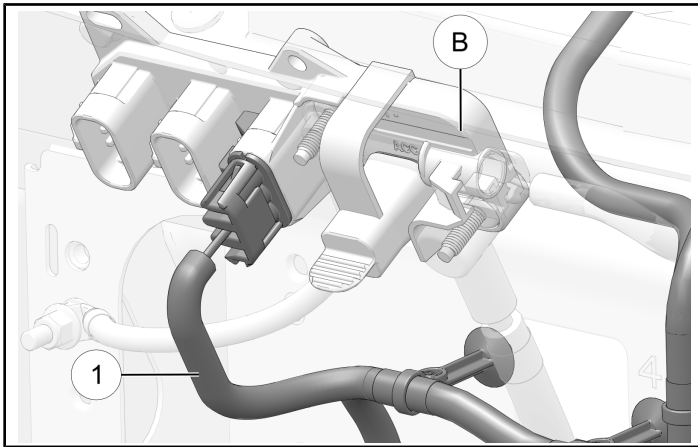


10. Pull the light bar harness switch connector ① through the cutout, and connect the switch ②. Make sure that the connector fully seats into the switch.

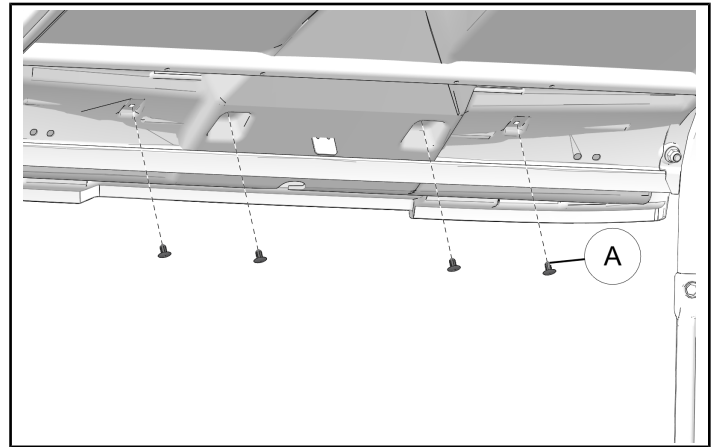


11. Push the switch into the dash cutout. The switch should completely seat into the dash.

12. Attach the light bar wire harness connector ① to the pulse bar ②.



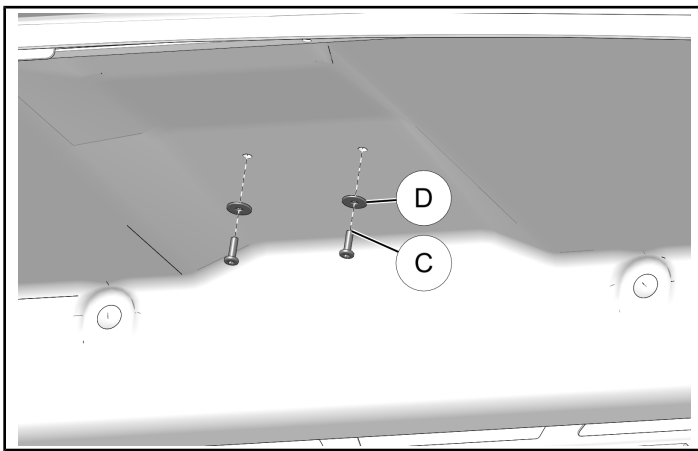
3. Install the four push-darts ③ at the front of roof liner.



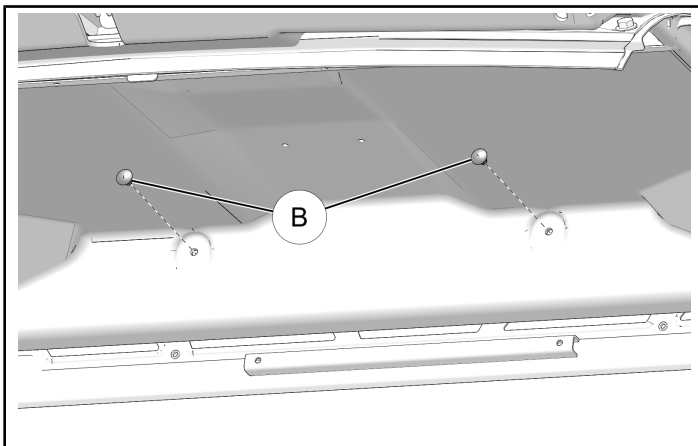
VEHICLE REASSEMBLY

ROOF LINER INSTALLATION

1. While holding the roof liner up, install two screws ④ and two washers ⑤ from the middle of roof liner.

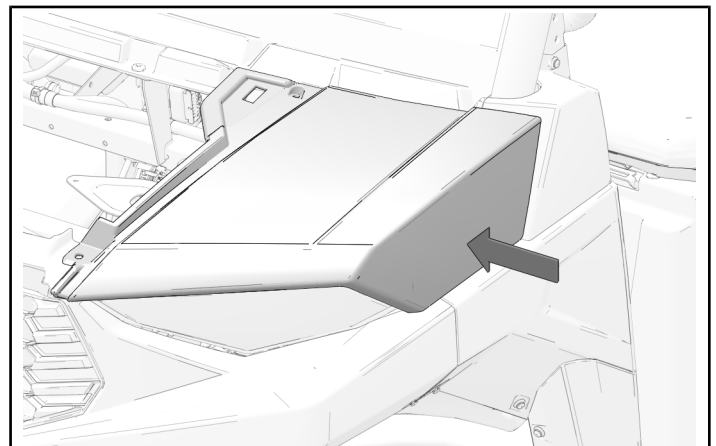


2. Install the two push-darts ⑥ at the rear of roof liner.

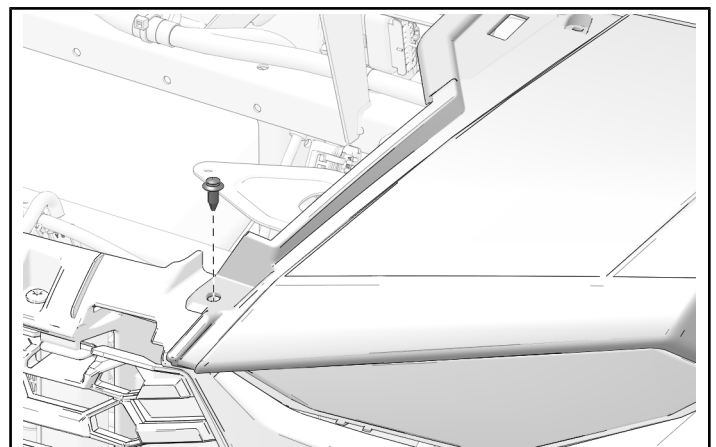


LEFT-HAND HOOD INSTALLATION

1. Put outer hood in installed position.



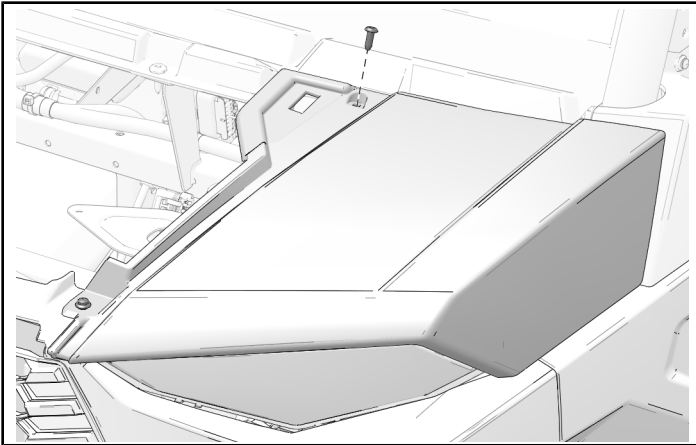
2. Attach front of outer hood with one push-pin rivet.



3. Attach rear of outer hood with one retained screw. Torque outer hood screws to specification.

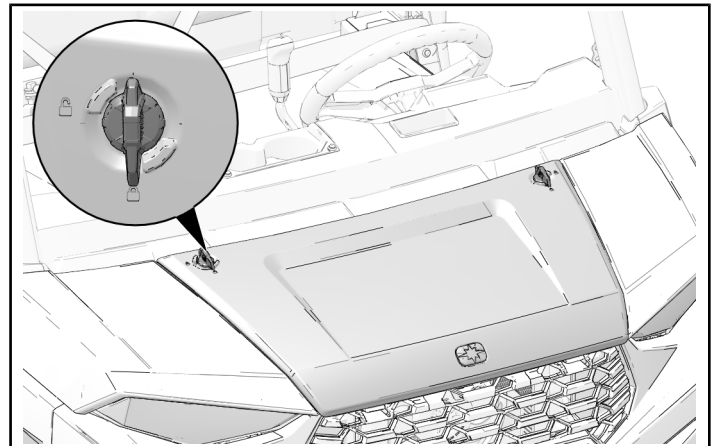
TORQUE

Outer Hood Screw:
22 in-lbs (2.5 N·m)



HOOD INSTALLATION

1. Align hood with vehicle and turn two quarter-turn fasteners to lock position to install hood.



INSTRUCTION FEEDBACK FORM

A feedback form has been created for the installer to provide any comments, questions or concerns about the installation instructions. The form is viewable on mobile devices by scanning the QR code or by clicking [HERE](#) if viewing on a PC.

