

# TRAILING ARM GUARD KIT



P/N 2889442

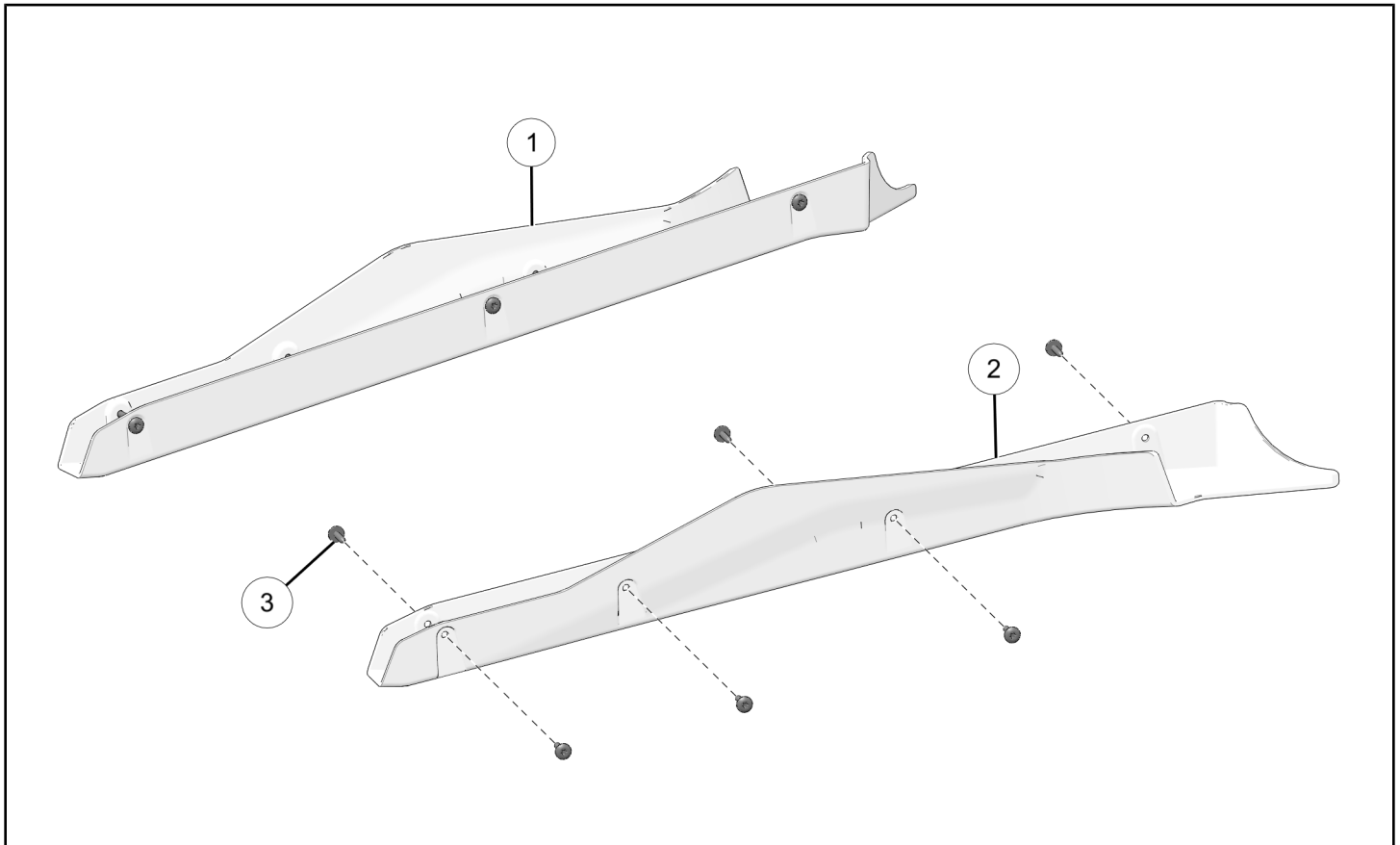
## BEFORE YOU BEGIN

Read these instructions and check to be sure all parts and tools are accounted for. Please retain these installation instructions for future reference and parts ordering information.

## APPLICATION

Verify accessory fitment at [www.polaris.com](http://www.polaris.com).

## KIT CONTENTS



REF	QTY	PART DESCRIPTION	P/N AVAILABLE SEPARATELY
1	1	Guard–Trailing Arm, Right-Hand	5456577
2	1	Guard–Trailing Arm, Left-Hand	5456576
3	12	Screw–Torx® Truss Head, M6 x 1.0 x 25 mm	7519650

## TOOLS REQUIRED

- Safety Glasses
- Socket Set, Torx® Bit
- Torque Wrench

## IMPORTANT

Your Trailing Arm Guard Kit is exclusively designed for your vehicle. Please read the installation instructions thoroughly before beginning. Installation is easier if the vehicle is clean and free of debris. For your safety, and to ensure a satisfactory installation, perform all installation steps correctly in the sequence shown.

## INSTALLATION INSTRUCTIONS

### VEHICLE PREPARATION

#### GENERAL

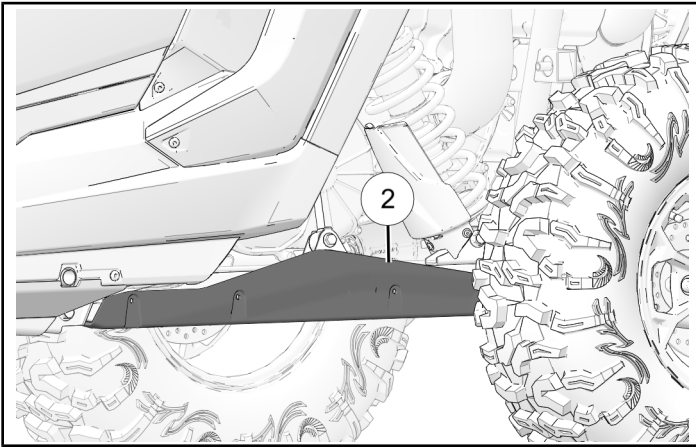
1. Park vehicle on a flat surface.
2. Shift vehicle into PARK.
3. Turn key to OFF position and remove key.

### ACCESSORY INSTALLATION

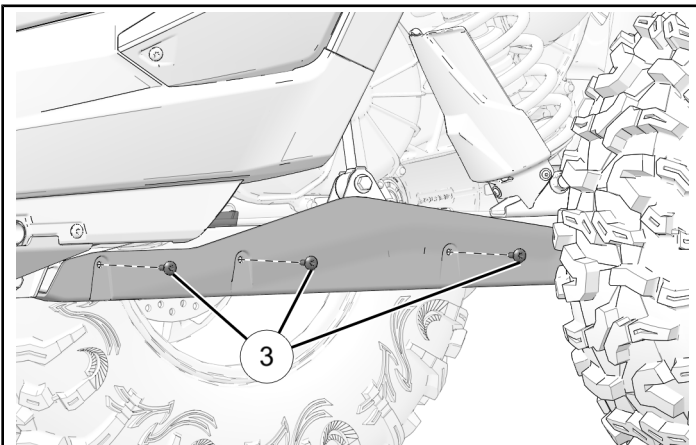
#### NOTICE

Left trailing arm guard shown; right trailing arm guard similar.

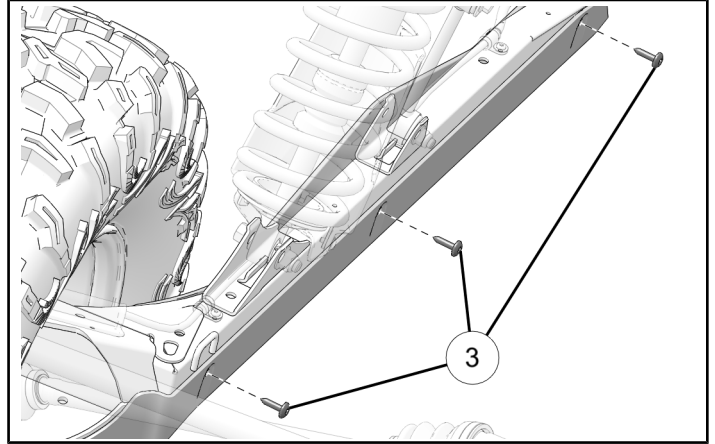
1. Align trailing arm guard ② with trailing arm.



2. Loosely install outside of guard with three screws ③.



3. Loosely install inside of guard with three screws ③.



4. Torque all six trailing arm screws ③ to specification.

#### TORQUE

Trailing Arm Screws ③:  
**88 in-lbs (10 N·m)**

## INSTRUCTION FEEDBACK FORM

A feedback form has been created for the installer to provide any comments, questions or concerns about the installation instructions. The form is viewable on mobile devices by scanning the QR code or by clicking [HERE](#) if viewing on a PC.

