

# GLASS WINDSHIELD KIT



P/N 2889021

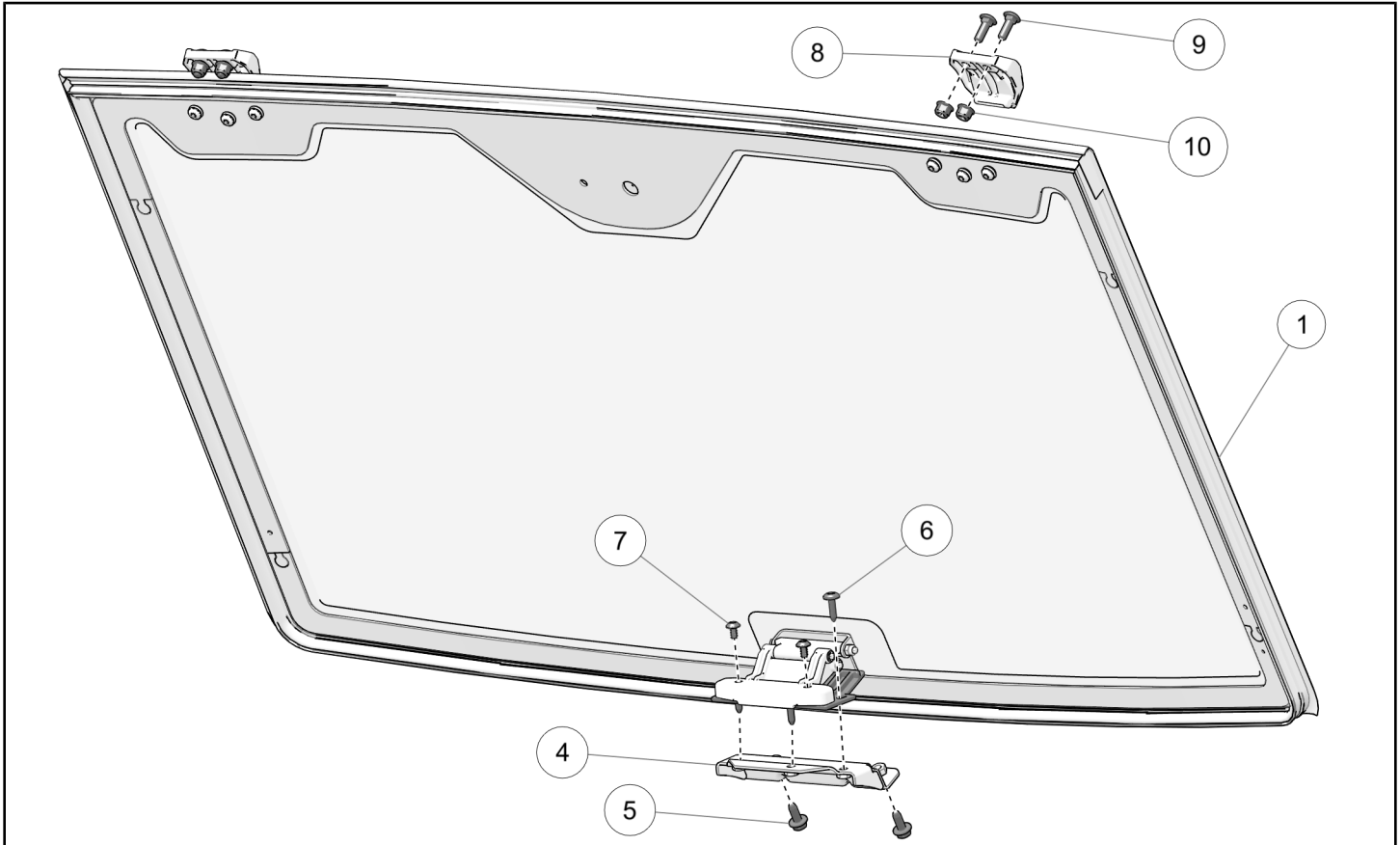
## BEFORE YOU BEGIN

Read these instructions and check to be sure all parts and tools are accounted for. Please retain these installation instructions for future reference and parts ordering information.

## APPLICATION

Verify accessory fitment at [www.polaris.com](http://www.polaris.com).

## KIT CONTENTS



REF	QTY	PART DESCRIPTION	P/N AVAILABLE SEPARATELY	AVAILABLE SERVICE KIT
1	1	Windshield Assembly – Glass, Fixed	2638582	n/a
2	n/a	Not Used	n/a	n/a
3	n/a	Not Used	n/a	n/a
4	1	Bracket – Backer	5265266	n/a
5	2	Screw – Hex Flange, M8 x 1.25 x 20 mm	7518555	n/a
6	3	Screw – Torx Head, M6 x 1.0 x 25 mm	7519650	n/a
7	2	Screw – Torx Head, 6.81 x 2.54 x 12 mm	7528023	n/a
8	2	Clamp – Windshield, Top	5458020	n/a

REF	QTY	PART DESCRIPTION	P/N AVAILABLE SEPARATELY	AVAILABLE SERVICE KIT
9	4	Bolt – Carriage, M8 x 1.25 x 25 mm	7518920	n/a
10	4	Nut, M8 x 1.25 mm	7547332	n/a
11	1	Windshield Seal Kit (not shown)	n/a	2209472

## TOOLS REQUIRED

- Safety Glasses
- Drill
- Drill Bit:
  - 3/8 in (9 mm)
- Push Dart (Panel Clip) Tool
- Socket Set, Metric
- Socket Set, Torx® Bit
- Torque Wrench
- Wrench Set, Metric

## IMPORTANT

Your Glass Windshield Kit is exclusively designed for your vehicle. Please read the installation instructions thoroughly before beginning. Installation is easier if the vehicle is clean and free of debris. For your safety, and to ensure a satisfactory installation, perform all installation steps correctly in the sequence shown.

## INSTALLATION INSTRUCTIONS

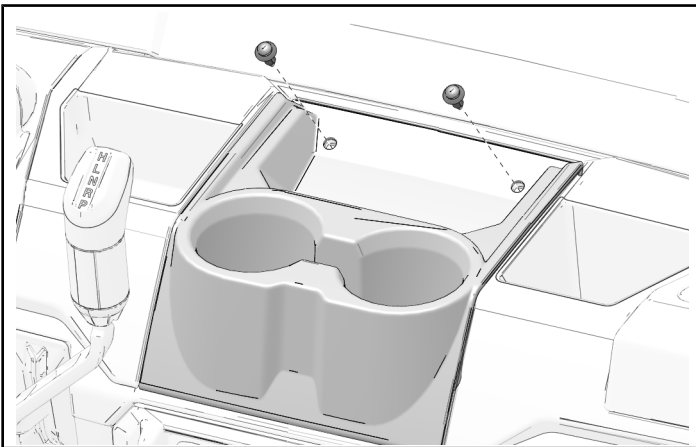
### VEHICLE PREPARATION

#### GENERAL

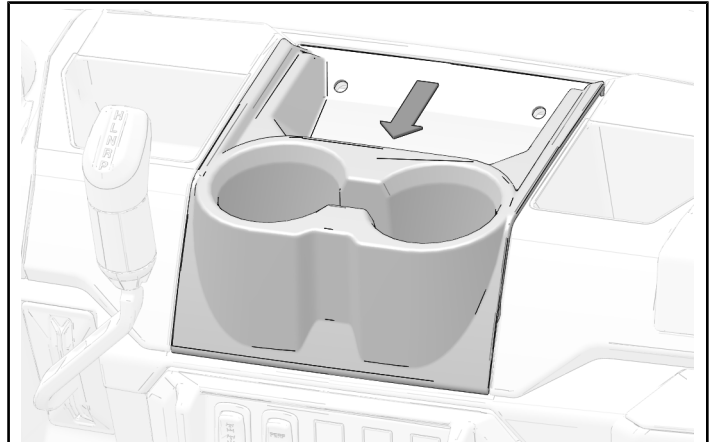
1. Park vehicle on a flat surface.
2. Shift vehicle into PARK.
3. Turn key to OFF position and remove key.

#### CUP HOLDER REMOVAL

1. Remove two push-pin rivets from cup holder.



2. Remove cup holder from dashboard.



#### PREPARE CUP HOLDER

##### NOTICE

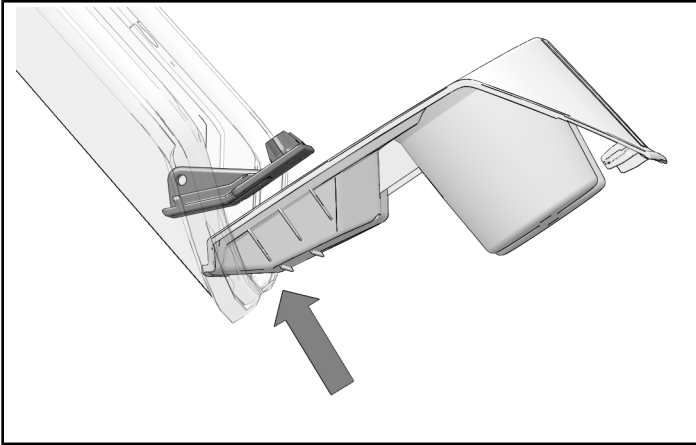
Windshield and windshield handle hidden for clarity.

1. Set windshield on soft surface.

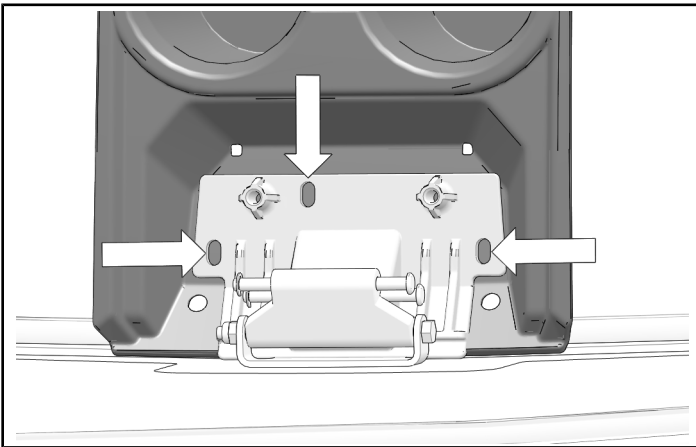
- Align windshield bracket with edge of angle on cupholder, as shown.

**NOTICE**

Match angle on cup holder with angle on windshield bracket.



- Use windshield bracket as a template to mark three holes on cup holder.



- Put cup holder in vehicle.

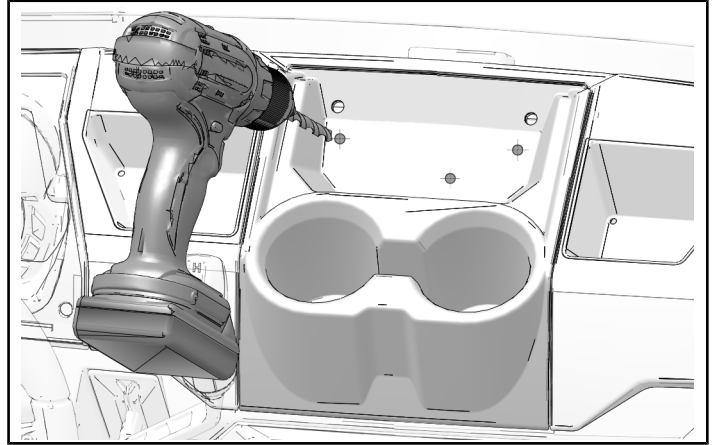
- Drill three holes.

**IMPORTANT**

Control drill depth to prevent damage to underlying structure or components.

**MEASUREMENT**

Drill Bit Size:  
**3/8 in (9 mm)**



- Remove cup holder.

**ACCESSORY INSTALLATION**

**NOTICE**

Parts of vehicle have been hidden for clarity.

**WINDSHIELD SEAL INSTALLATION**

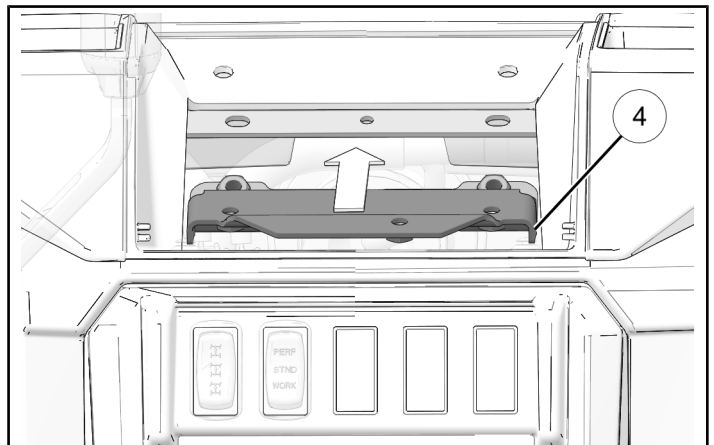
- Install windshield seal kit ⑪.

**NOTICE**

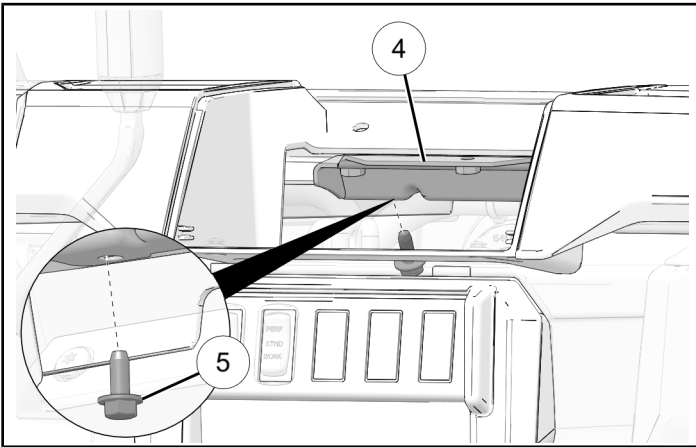
Follow instructions included with windshield seal kit for correct installation.

**BACKER BRACKET INSTALLATION**

- Put backer bracket

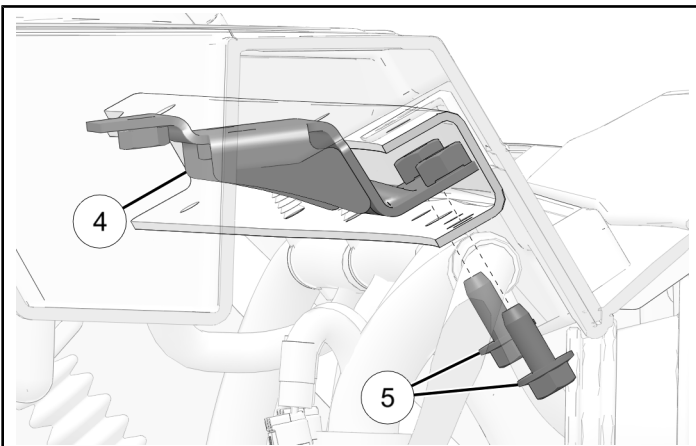


2. Install backer bracket ④ to upper chassis bar with two screws ⑤.



### NOTICE

Dash has been hidden to show backer bracket installation location on chassis bar.



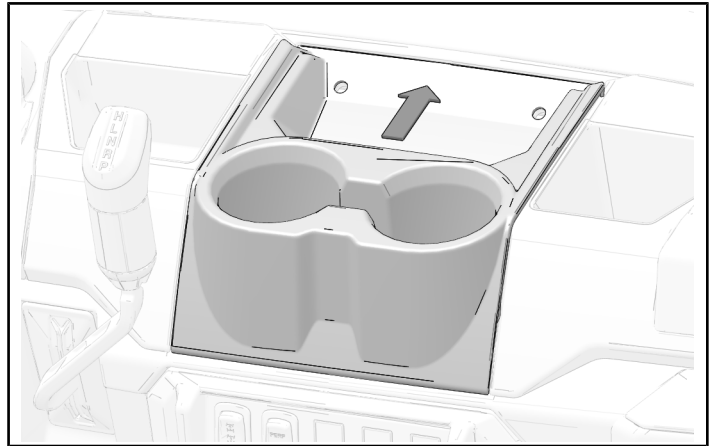
3. Torque screws to specification.

### TORQUE

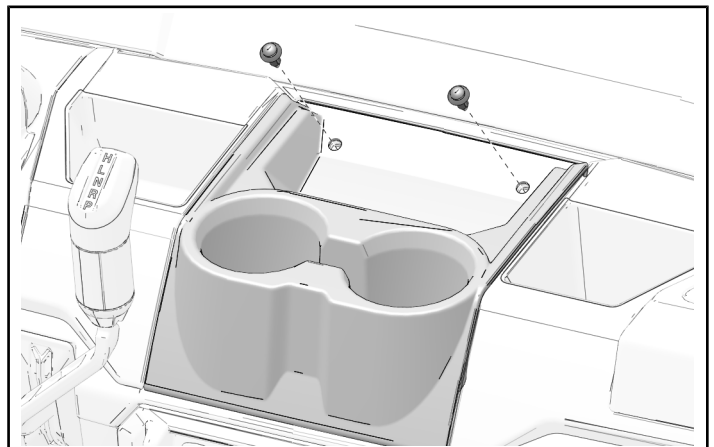
Backer Bracket Screws ⑤:  
**97 in-lbs (11 N·m)**

## CUP HOLDER INSTALLATION

1. Put cup holder in vehicle.



2. Install cup holder with two retained push-pin rivets.



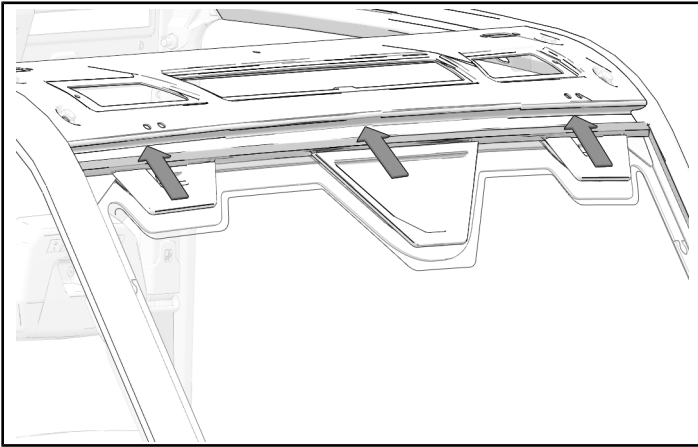
## WINDSHIELD INSTALLATION

### ⚠ CAUTION

It is recommended that two people install the windshield onto the vehicle. The windshield is large and may be difficult for one person to easily handle. Failure to have two people install the windshield onto the vehicle could result in possible personal injury.

1. Set windshield ① onto vehicle.

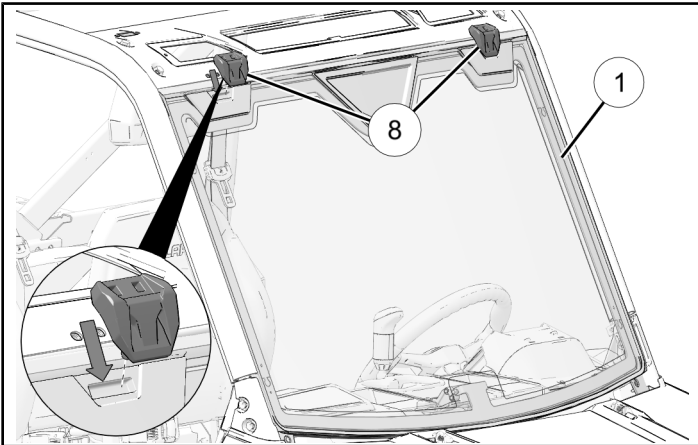
2. Install upper windshield seal under overhanging edge of the upper ROPS bar.



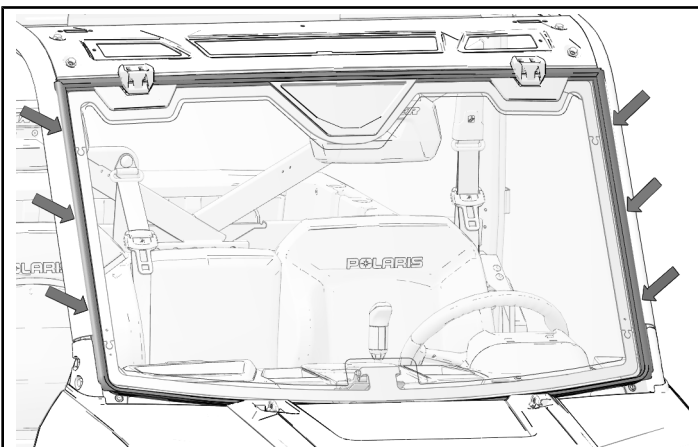
3. Engage upper windshield clamps ⑧ into grooves on windshield mount.

**IMPORTANT**

Make sure windshield is centered on vehicle

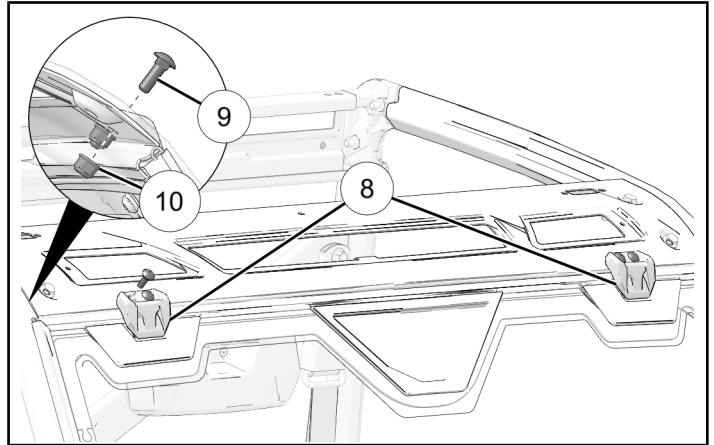


4. Adjust seal on left side and right side of windshield to cover edge of windshield and A-pillars.

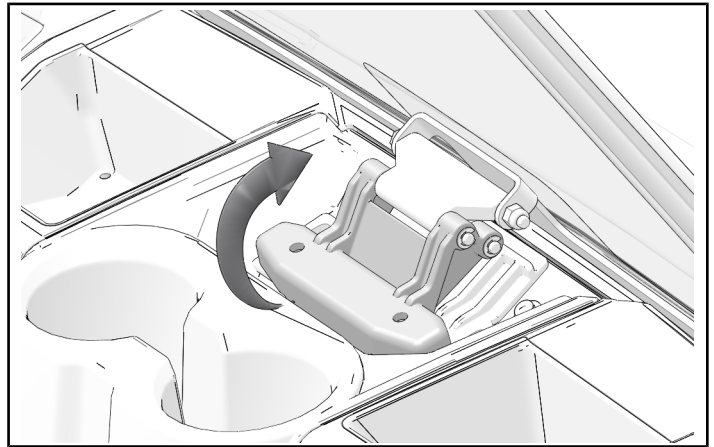


5. Loosely install two upper windshield clamps ⑧ to upper ROPS bar with four carriage bolts ⑨ and four nuts ⑩.

Do not torque nuts at this time.



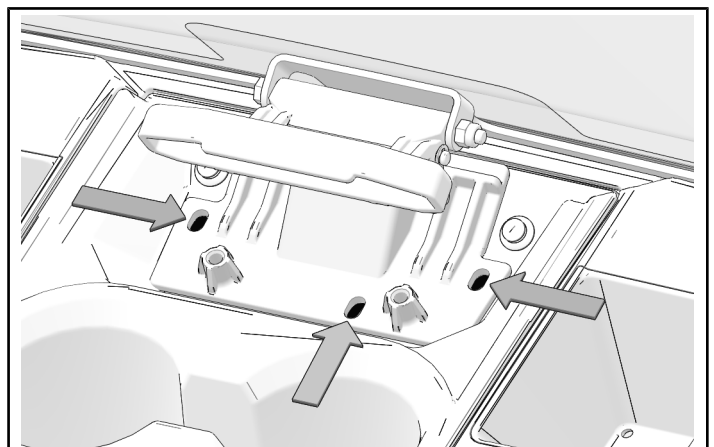
6. Open clamp on windshield bracket.



7. Align holes on windshield bracket with drilled holes in cup holder.

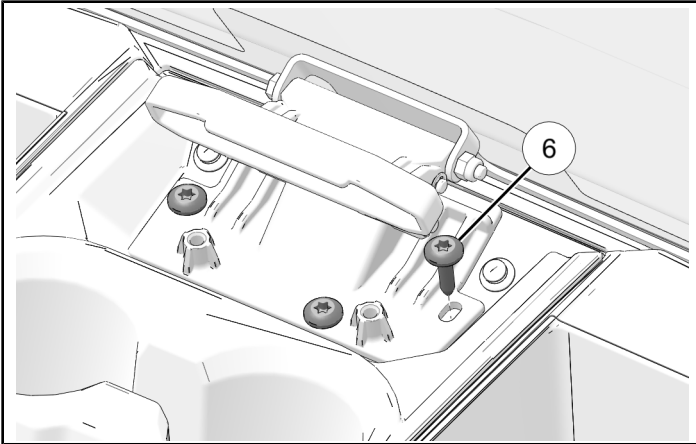
**NOTICE**

If necessary, enlarge pre-drilled cup holder holes so they align with the holes on the windshield bracket.



8. Install three screws ⑥ through windshield bracket and cup holder.

Do not torque screws at this time.

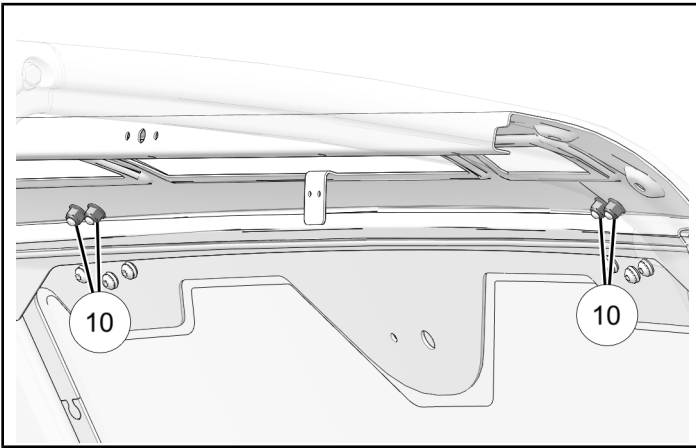


### **TORQUE HARDWARE**

1. Torque four upper clamp nuts ⑩ to specification.

#### **TORQUE**

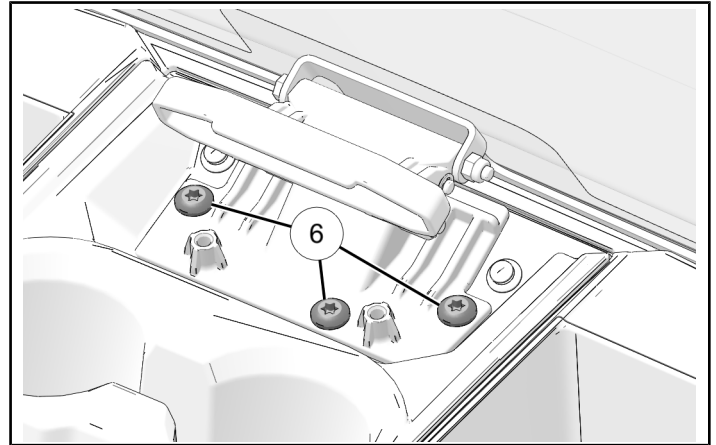
Upper Clamp Nuts ⑩:  
**20 ft-lbs (27 N·m)**



2. Torque three windshield bracket screws ⑥ to specification.

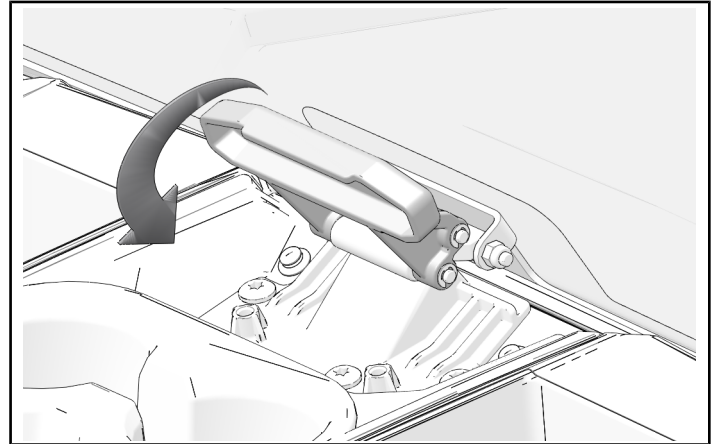
#### **TORQUE**

Windshield Bracket Screws ⑥:  
**97 in-lbs (11 N·m)**

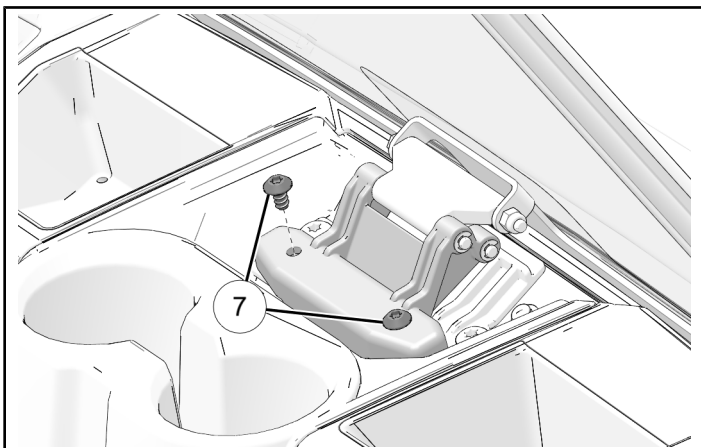


### **CLAMP INSTALLATION**

1. Close windshield clamp.



2. Install two windshield clamp screws ⑦ through clamp and into windshield bracket.



3. Torque clamp screws to specification.

#### TORQUE

Windshield Clamp Screws ⑦:  
**97 in-lbs (11 N·m)**

### INSTRUCTION FEEDBACK FORM

A feedback form has been created for the installer to provide any comments, questions or concerns about the installation instructions. The form is viewable on mobile devices by scanning the QR code or by clicking [HERE](#) if viewing on a PC.

