

RIDE COMMAND MOUNT KIT



P/N 2889289

BEFORE YOU BEGIN

Read these instructions and check to be sure all parts and tools are accounted for. Please retain these installation instructions for future reference and parts ordering information.

APPLICATION

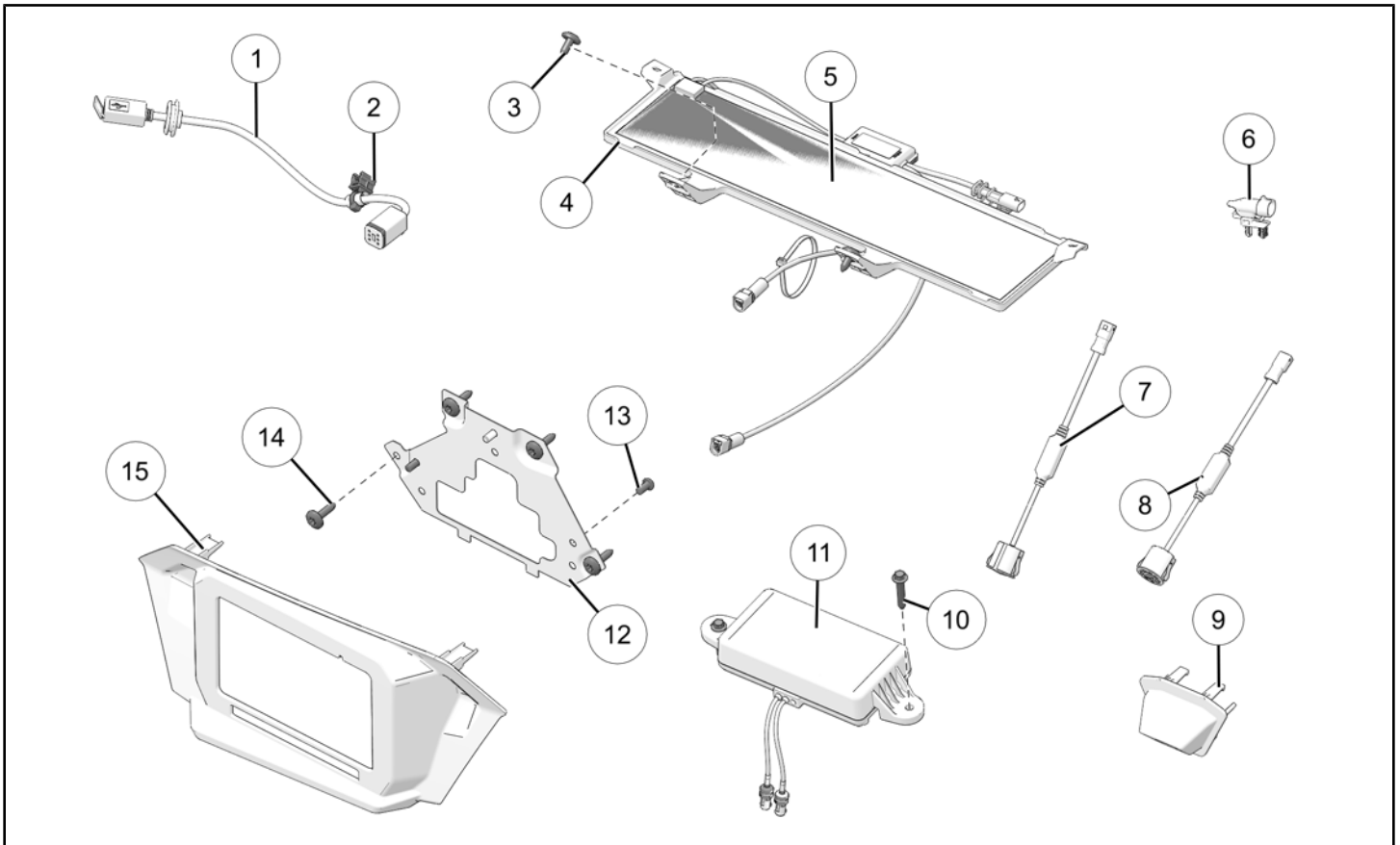
Verify accessory fitment at www.polaris.com.

REQUIRED SOLD SEPARATELY

Only parts for installation of the Ride Command Mount Kit are included. For complete installation, the following additional part is required (sold separately):

- Ride Command® Display, P/N 2884072

KIT CONTENTS

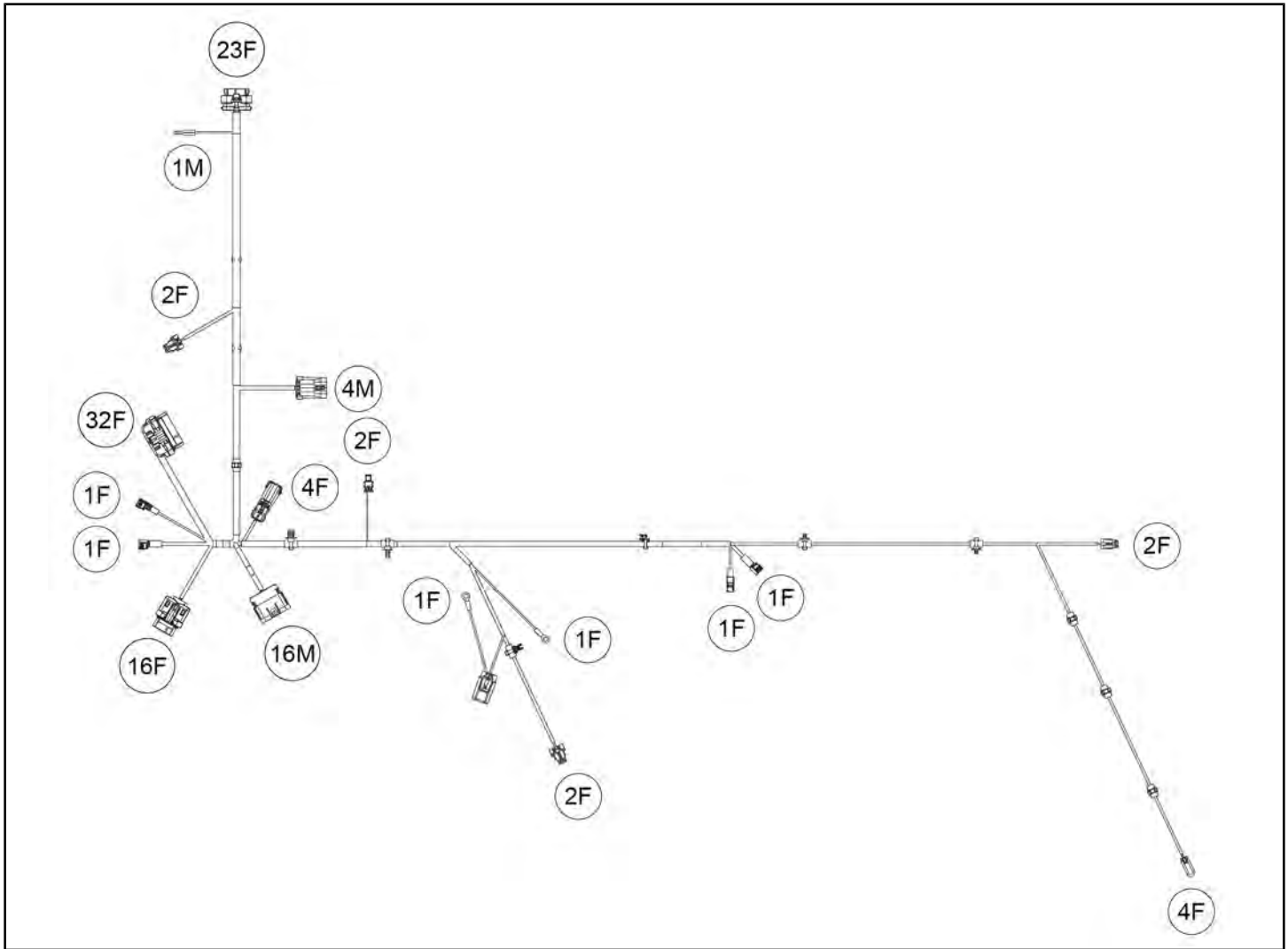


| REF | QTY | PART DESCRIPTION | P/N AVAILABLE SEPARATELY | AVAILABLE SERVICE KIT |
|-----|-----|--|--------------------------|-----------------------|
| 1 | 1 | Harness-USB | 2415322 | n/a |
| 2 | 1 | Clip-Edge, Cable Tie | 7081808 | n/a |
| 3 | 3 | Screw-Torx® Truss Head, M6 x 1.0 x 16 mm | 7518936 | n/a |
| 4 | 1 | Bracket-Antenna Mount | 5458790 | n/a |

| REF | QTY | PART DESCRIPTION | P/N AVAILABLE SEPARATELY | AVAILABLE SERVICE KIT |
|-----|-----|---|--------------------------|-----------------------|
| 5 | 1 | Antenna–AM/FM | 4019301 | n/a |
| 6 | 1 | Sensor–Gauge, Air Temperature | 4018205 | n/a |
| 7 | 1 | Camera–Front | n/a | 2889169 |
| 8 | 1 | Camera–Rear | 4019856 | n/a |
| 9 | 1 | Mount–Front Camera | n/a | 2889169 |
| 10 | 2 | Screw–Hex Flange, Hi/Lo, M6 x 35 mm | 7519330 | n/a |
| 11 | 1 | Antenna–GPS | 4019301 | n/a |
| 12 | 1 | Bracket–Ride Command® | n/a | n/a |
| 13 | 3 | Screw–Torx® Button Head, M6 x 1.0 x 12 mm | 7519063 | n/a |
| 14 | 4 | Screw–Torx® Truss Head, M6 x 1.0 x 25 mm | 7519650 | n/a |
| 15 | 1 | Cover–Bezel, Ride Command® | 5456571 | n/a |
| 16 | 1 | Cable Tie | 7080138 | n/a |
| 17 | 1 | Harness–Ride Command® | 2416025 | n/a |

HARNESS DETAIL

RIDE COMMAND® AUDIO HARNESS



| REF | PART DESCRIPTION | CONNECTS TO |
|-----|--------------------------------|---------------------------------|
| 1F | Connector–GPS Antenna | Ride Command® Display |
| 1F | Connector–V2V Antenna | Ride Command® Display |
| 32F | Connector–Display | Ride Command® Display |
| 16F | Connector–Display | Ride Command® Display |
| 2F | Connector–Speaker, Front, Left | Speaker Assembly |
| 1M | Connector–Bullet, Ground | Amplifier Ground Jumper Harness |
| 23F | Connector–Amplifier | Amplifier |
| 16M | Connector–Infotainment | Main Electrical Harness |
| 4F | Connector–Subwoofer | Subwoofer Assembly |
| 4M | Connector–Rear Audio | Main Electrical Harness |
| 2F | Connector–Antenna | Antenna |
| 1F | Terminal–Ring, Power, Red | Polaris Pulse® bar |

| REF | PART DESCRIPTION | CONNECTS TO |
|--|--|--------------------------------|
| 2F | Connector–Speaker, Front, Right | Speaker Assembly |
| 1F | Terminal–Ring, Ground, Black | Polaris Pulse® bar |
| 1F | Connector–V2V Antenna | V2V Antenna |
| 1F | Connector–GPS Antenna | GPS Antenna |
| 2F | Connector–Ambient Air Temperature Sensor | Ambient Air Temperature Sensor |
| 4F | Connector–Video, Front Camera | Front Camera |
| Example: 16F = 16 pin, Female / 16M = 16 pin, Male (Male terminal fits inside female terminal) | | |

TOOLS REQUIRED

- Safety Glasses
- Cutting Tool
- Drill
- Drill Bit:
 - 1 in (25 mm)
 - Step Bit
- Hex Key Set, Metric
- Pliers, Push Pin Rivet
- Socket Set, Hex Bit, Metric
- Socket Set, Metric
- Socket Set, Torx® Bit
- Torque Wrench
- Wrench, Adjustable, 10 in
- Wrench Set, Metric

IMPORTANT

Your Ride Command Mount Kit is exclusively designed for your vehicle. Please read the installation instructions thoroughly before beginning. Installation is easier if the vehicle is clean and free of debris. For your safety, and to ensure a satisfactory installation, perform all installation steps correctly in the sequence shown.

INSTALLATION INSTRUCTIONS

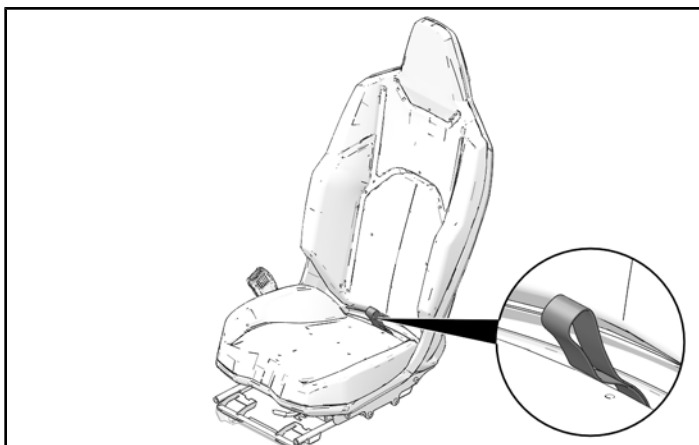
VEHICLE PREPARATION

GENERAL

1. Park vehicle on a flat surface.
2. Shift vehicle into PARK.
3. Turn key to OFF position and remove key.

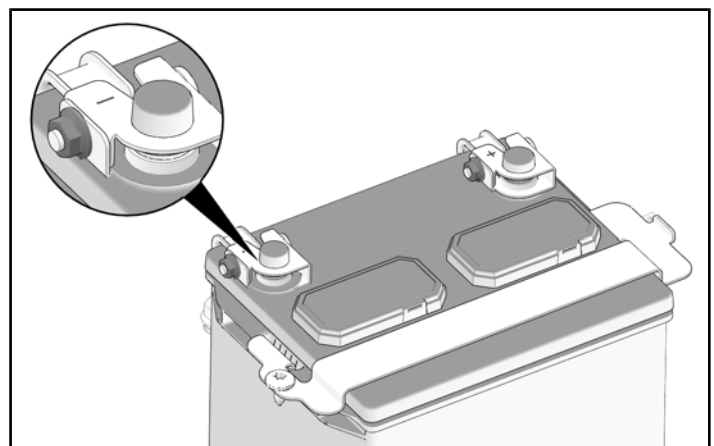
SEAT REMOVAL

1. Pull strap to disengage seat. Tilt seat forward and remove from vehicle.



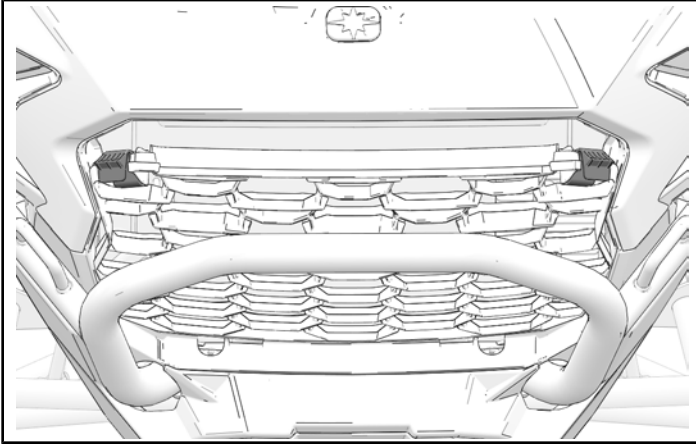
BATTERY DISCONNECT

1. Loosen nut on negative battery terminal and remove negative battery cable from battery.



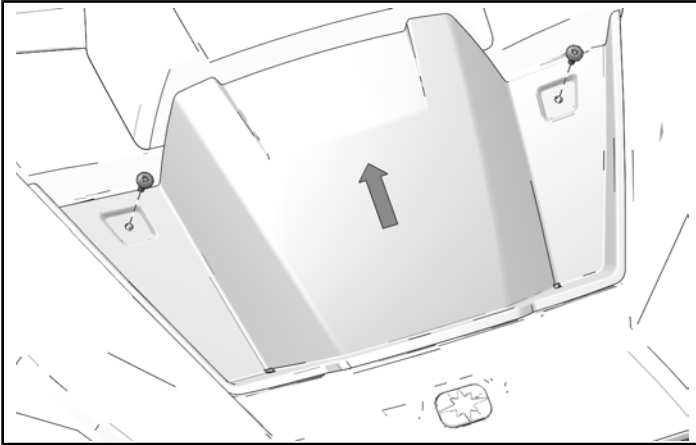
GRILLE REMOVAL

1. Push two tabs down to remove grille.



HOOD REMOVAL

1. Remove and keep two hood fasteners. Move hood rearward to remove.

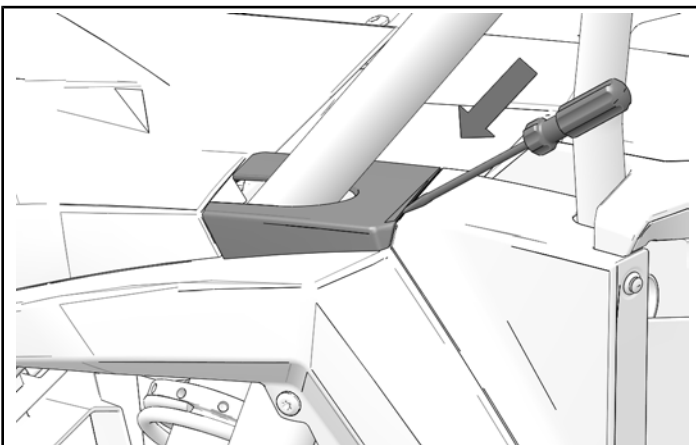


OUTER HOOD REMOVAL

1. Gently insert flat head screwdriver under rear seam of front pocket fender.

NOTICE

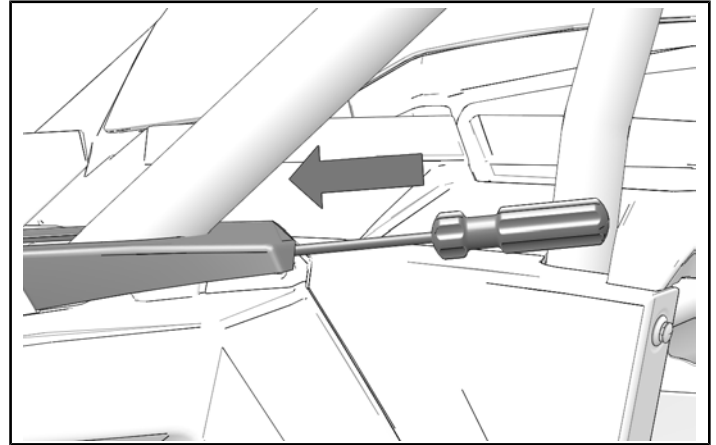
Left side shown, right side similar.



2. Slide flat head screwdriver under front pocket fender.

NOTICE

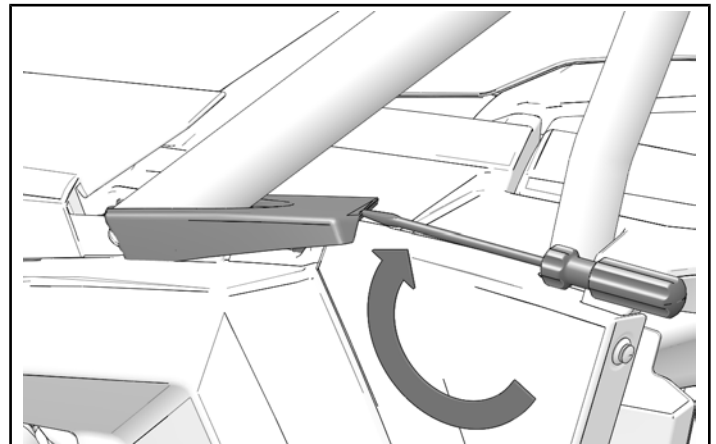
Left side shown, right side similar.



3. Gently lift screwdriver upward to free front pocket fender from clips.

NOTICE

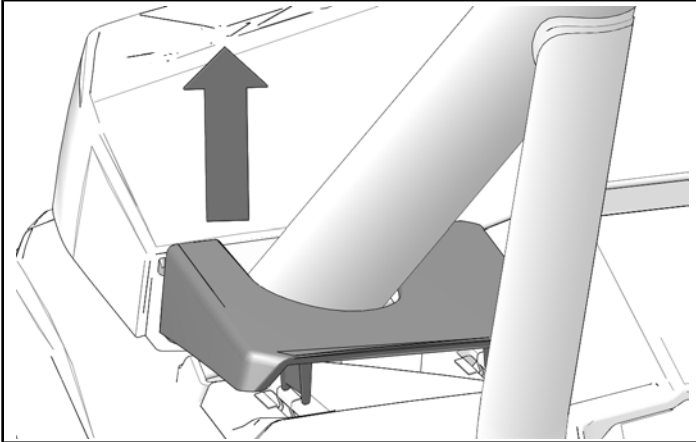
Left side shown, right side similar.



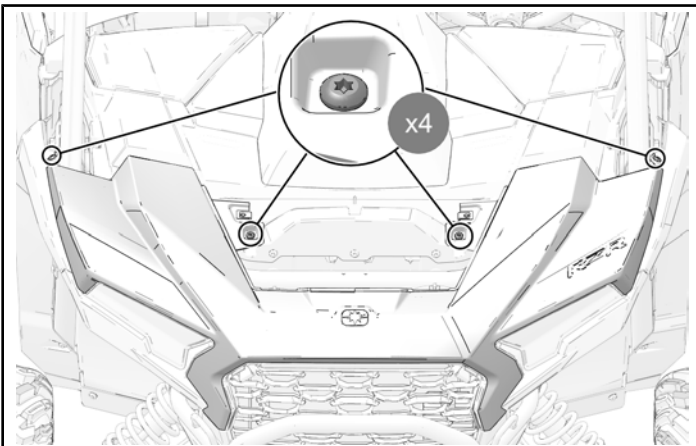
4. Remove and keep front pocket fender.

NOTICE

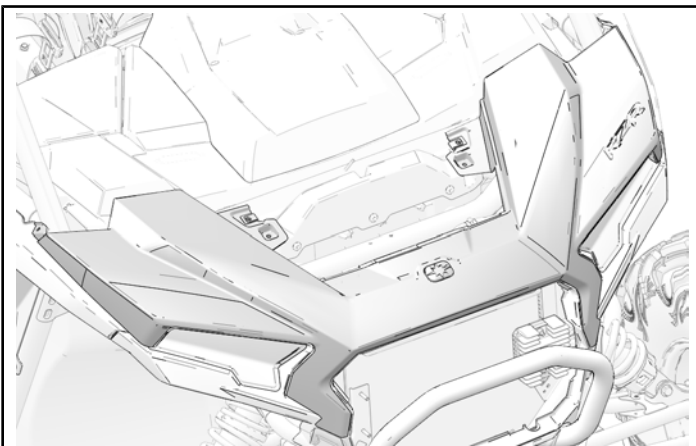
Left side shown, right side similar.



5. Remove and keep four outer hood fasteners.

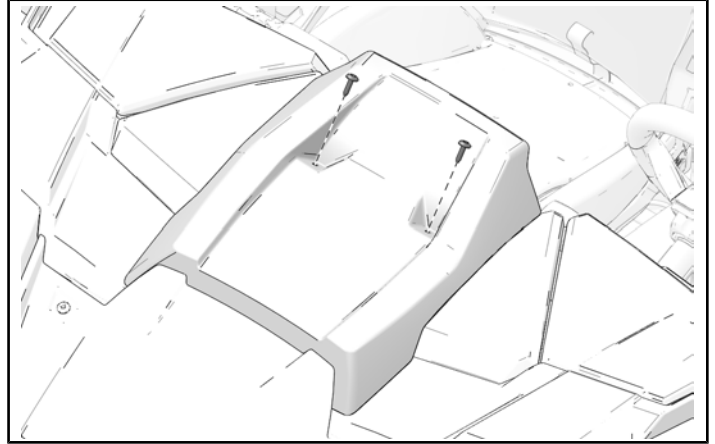


6. Remove outer hood from vehicle.

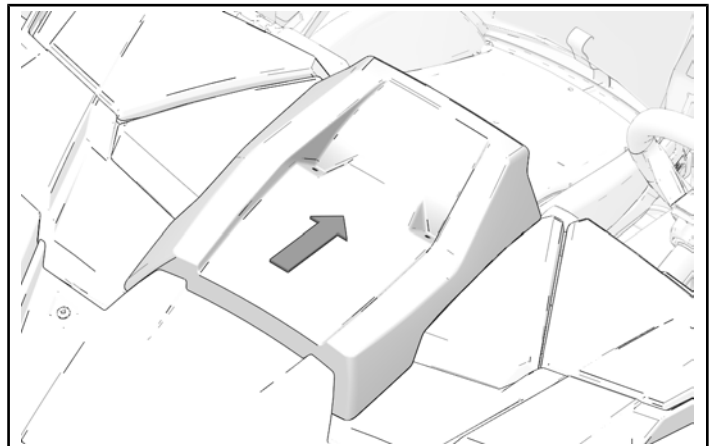


CENTER DASHBOARD REMOVAL

1. Remove and keep two dashboard fasteners.



2. Pull panel rearward to remove.

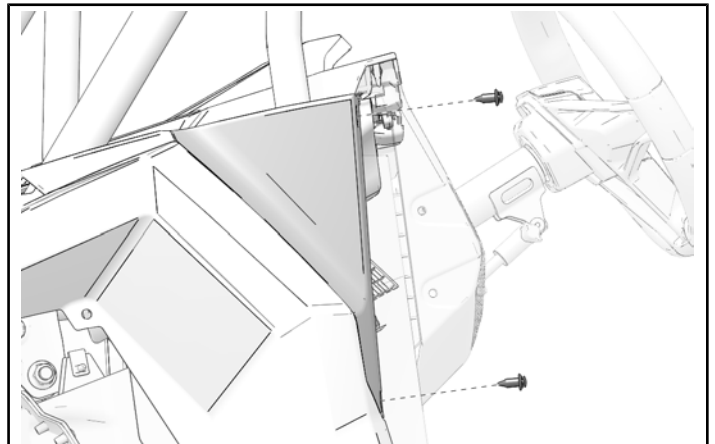


REAR POCKET FENDER REMOVAL

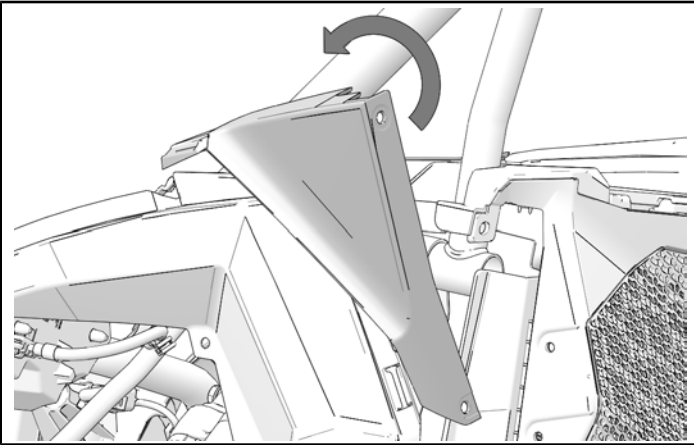
NOTICE

Left fender flare shown; right fender flare similar.

1. Remove two push-pin rivets from rear pocket fender.

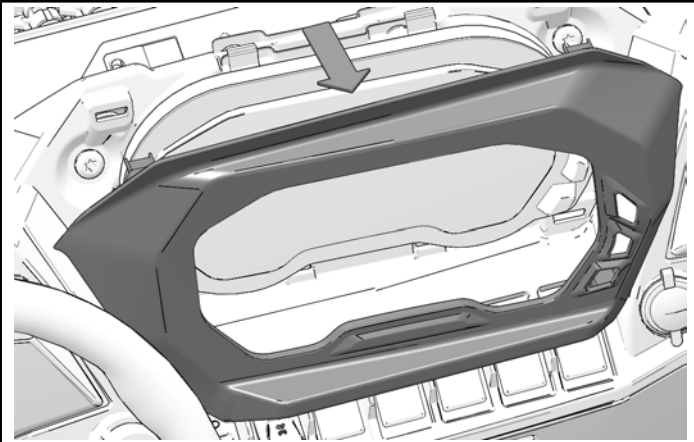


2. Rotate rear pocket fender away from vehicle body and remove.



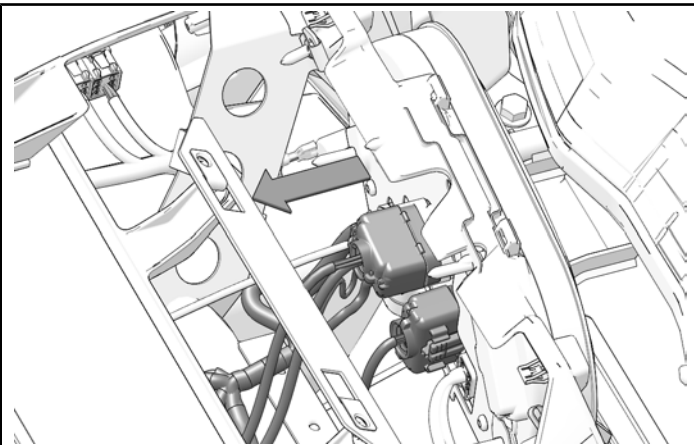
BEZEL COVER REMOVAL

1. Pull bezel cover outwards at each corner.

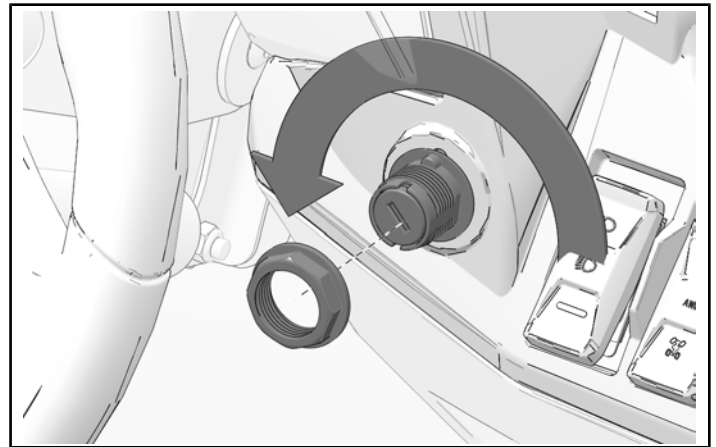


BEZEL REMOVAL

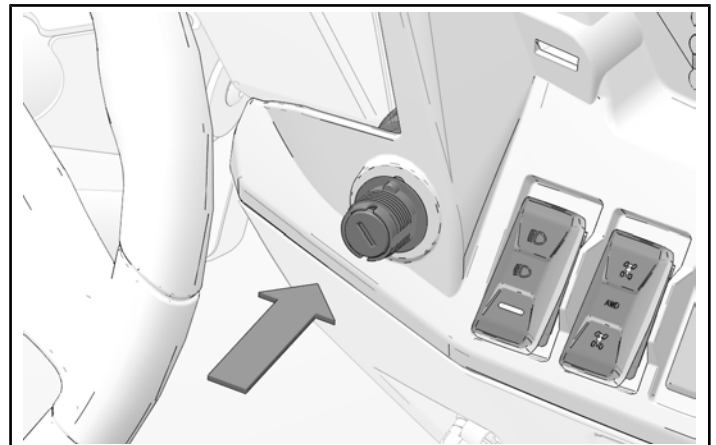
1. Disconnect instrument cluster.



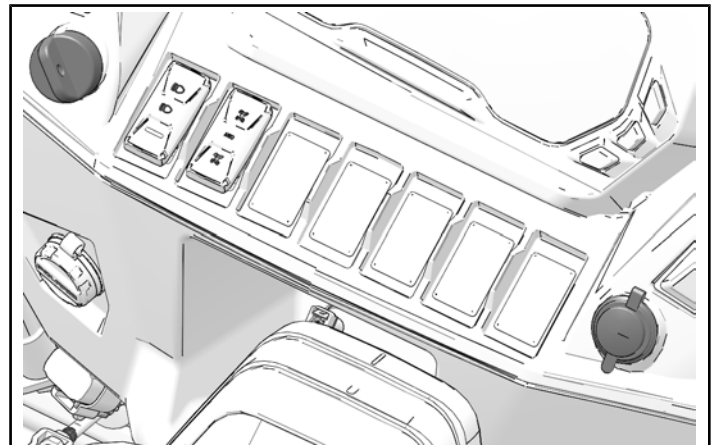
2. Remove and keep ignition switch retaining nut.



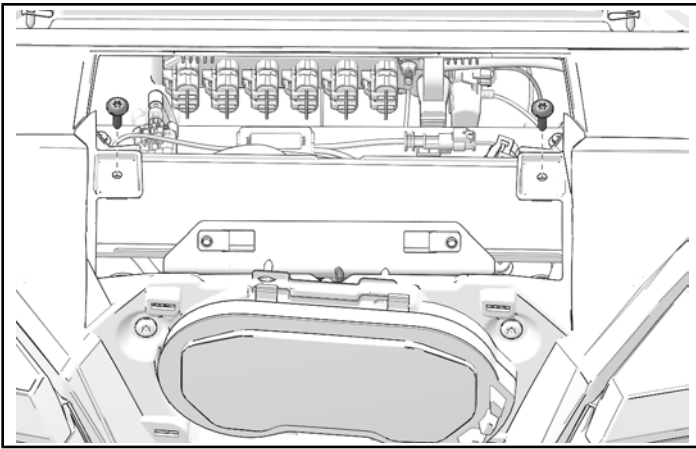
3. Push ignition switch through bezel.



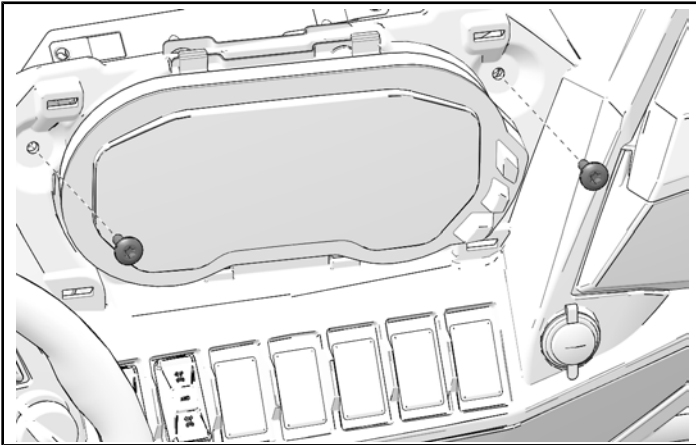
4. Disconnect 12V port on right-hand side, if installed.



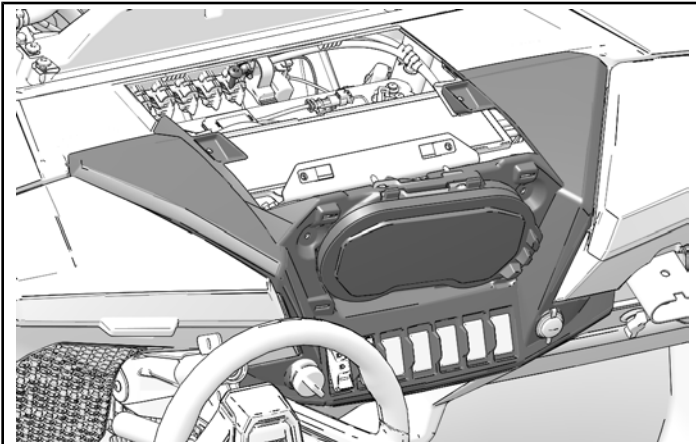
5. Remove and keep two top bezel fasteners.



6. Remove and keep two lower bezel fasteners.

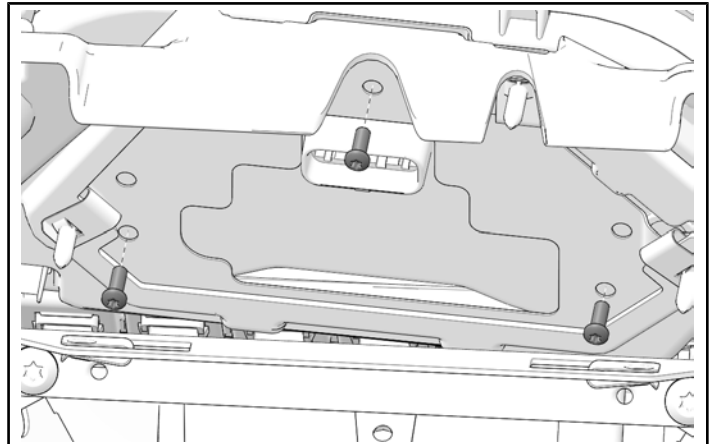


7. Carefully pull bezel away from dashboard. Reach behind bezel and disconnect all remaining electrical connections.

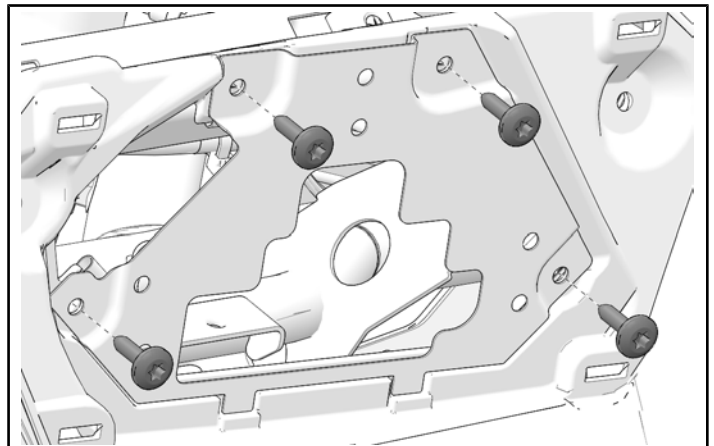


GAUGE REMOVAL

1. Remove three fasteners holding gauge to gauge bracket.

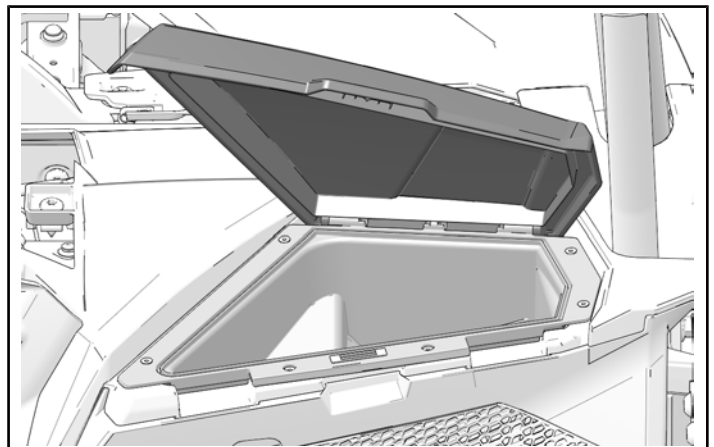


2. Remove four fasteners holding gauge bracket to bezel.

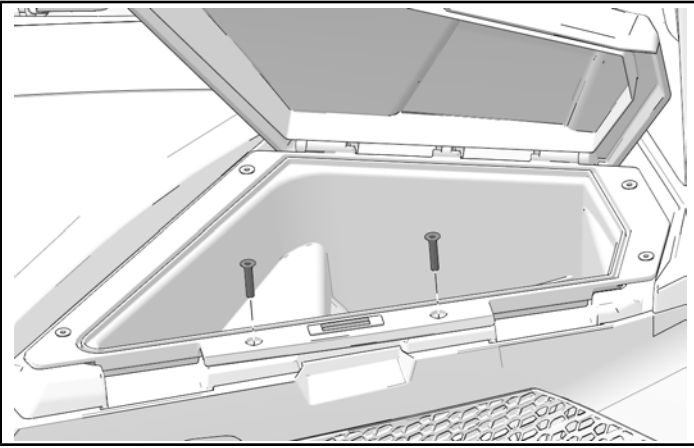


UPPER DASHBOARD REMOVAL

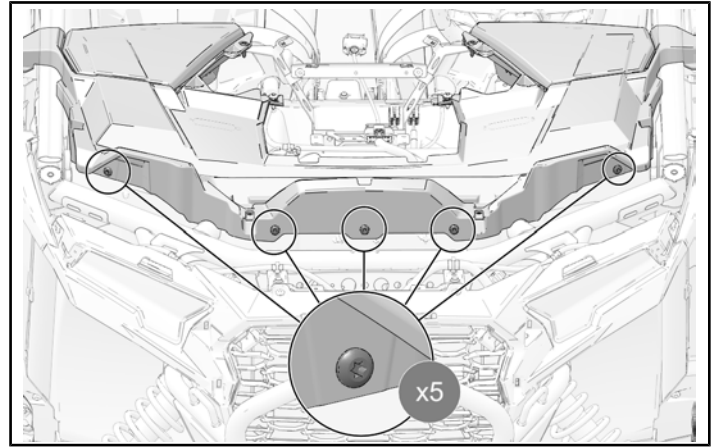
1. Open passenger storage compartment.



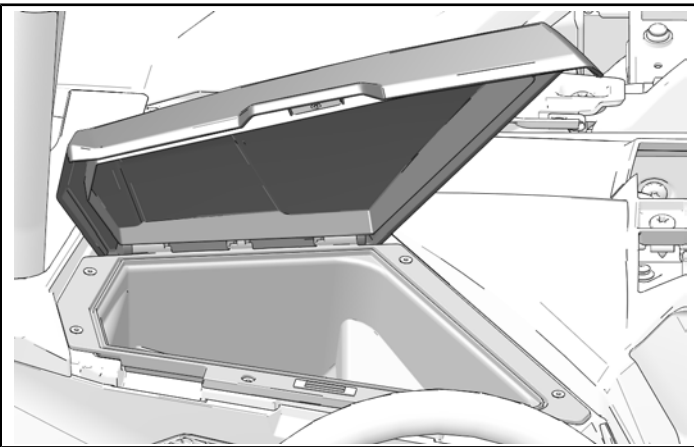
2. Remove and keep two storage compartment fasteners.



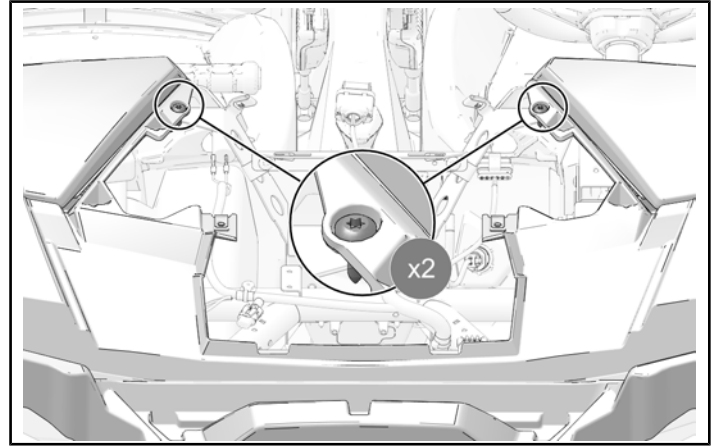
5. Remove and keep five fasteners from front of upper dashboard.



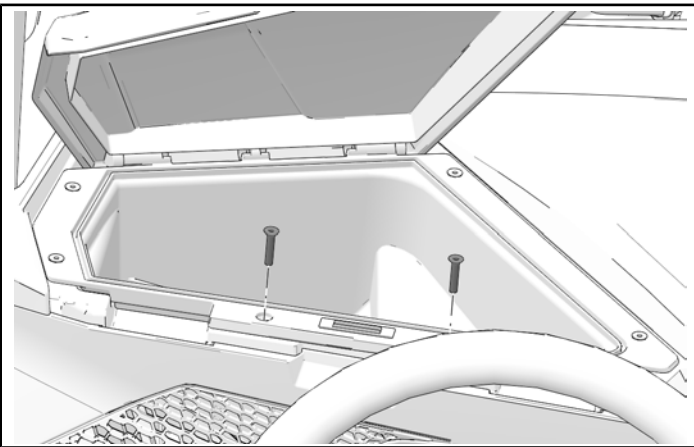
3. Open driver storage compartment.



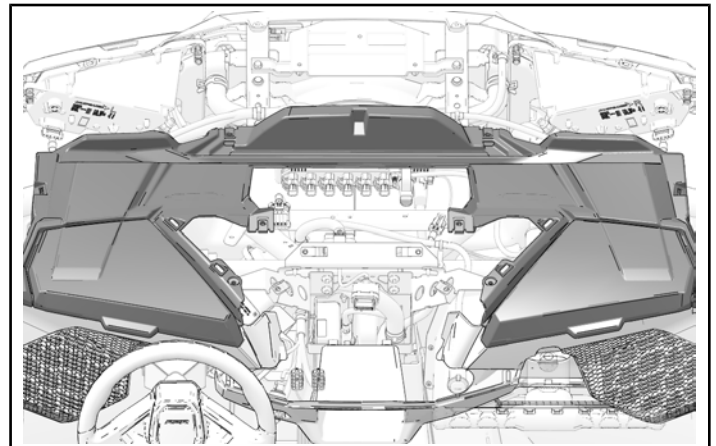
6. Remove and keep two fasteners from top of upper dashboard.



4. Remove and keep two storage compartment fasteners.

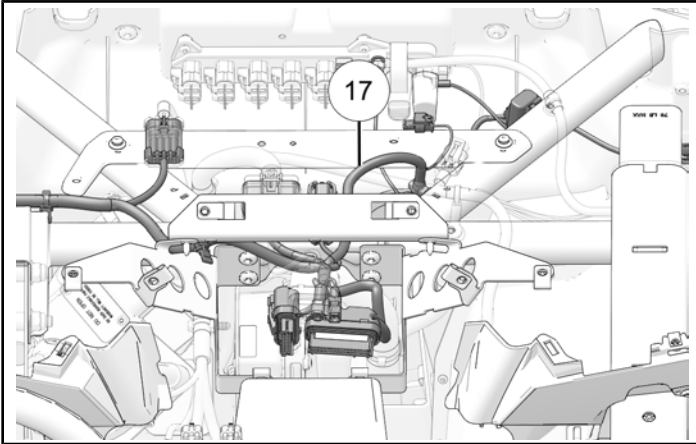


7. Remove upper dashboard panel from vehicle.

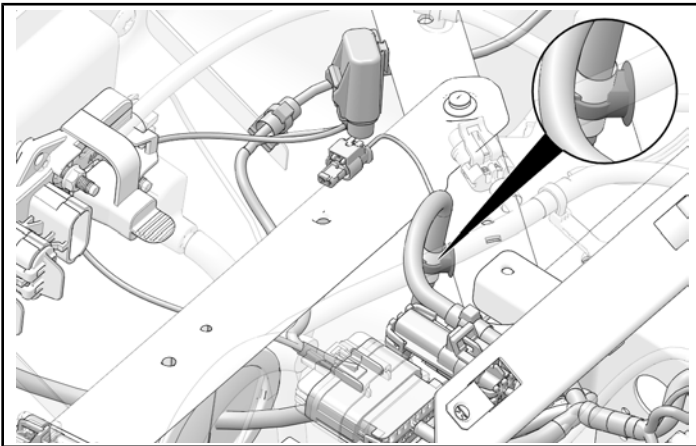


ACCESSORY INSTALLATION

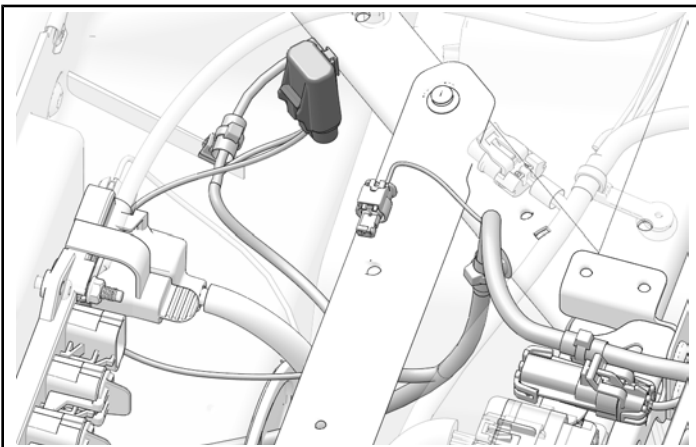
1. Put audio harness ⑰ in vehicle.



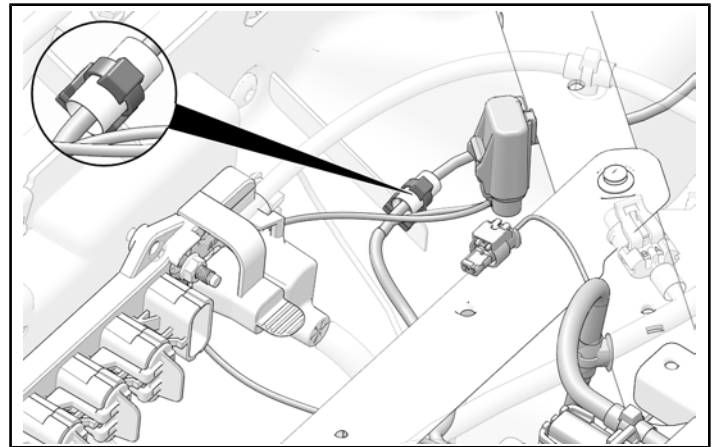
2. Attach push-dart to diagonal chassis tube.



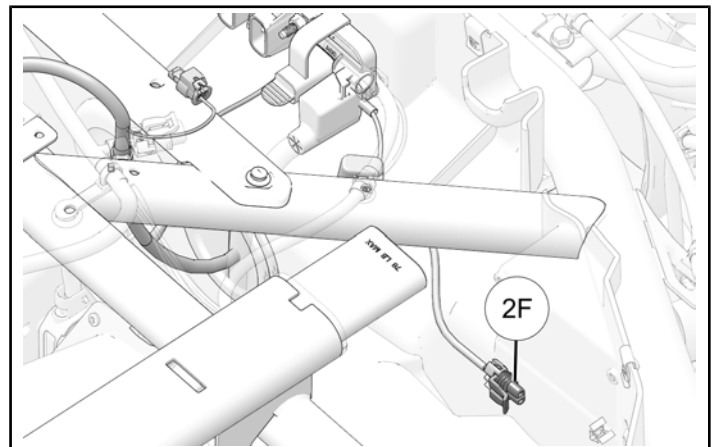
3. Attach fuse assembly to diagonal tube.



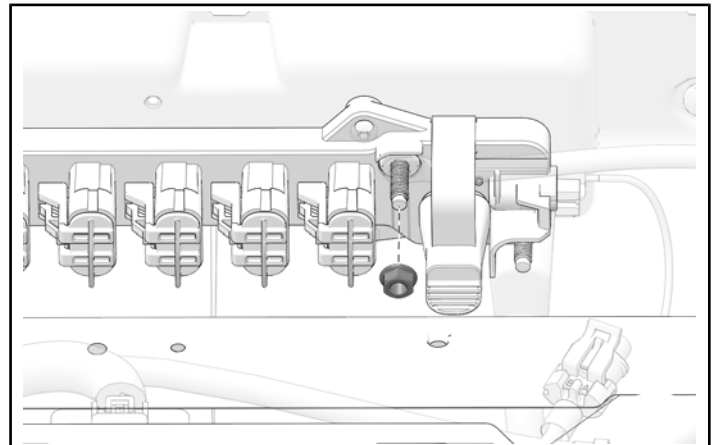
4. Install one edge clip to ridge on firewall.



5. Route right-hand speaker connector 2F to right side of vehicle.



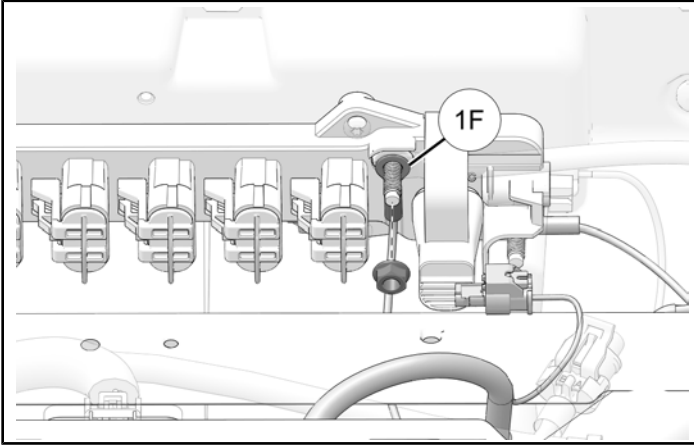
6. Remove and keep one nut from negative terminal on Polaris Pulse® bar.



7. Install negative ring terminal **1F** (black) to Polaris Pulse® bar with retained nut. Torque nut to specification.

TORQUE

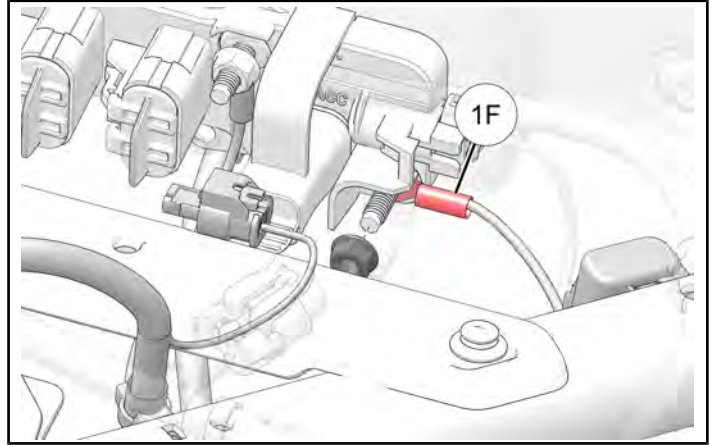
Polaris Pulse® Bar Nut:
44 in-lbs (5 N·m)



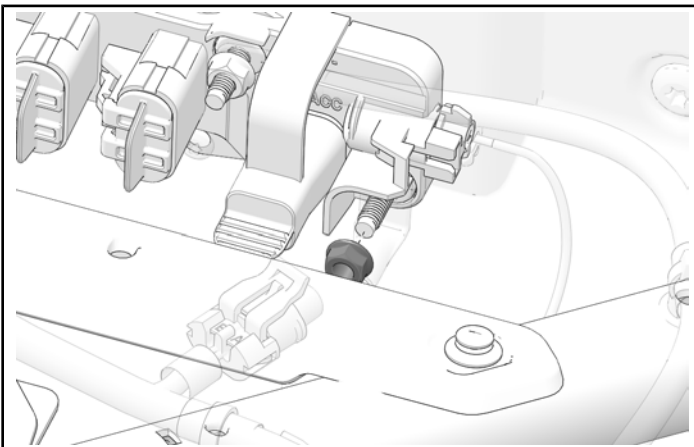
9. Install positive ring terminal **1F** (red) to Polaris Pulse® bar with retained nut. Torque nut to specification.

TORQUE

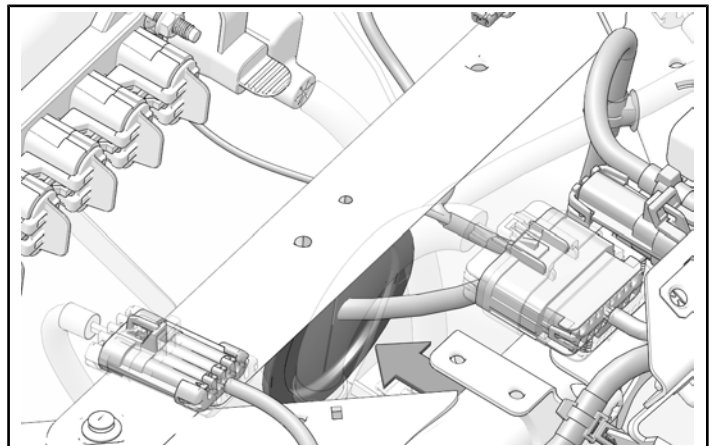
Polaris Pulse® Bar Nut:
44 in-lbs (5 N·m)



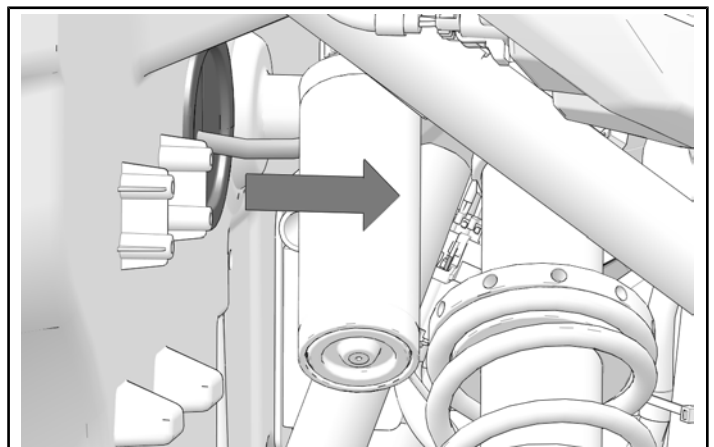
8. Remove and keep one nut from positive terminal on Polaris Pulse® bar.



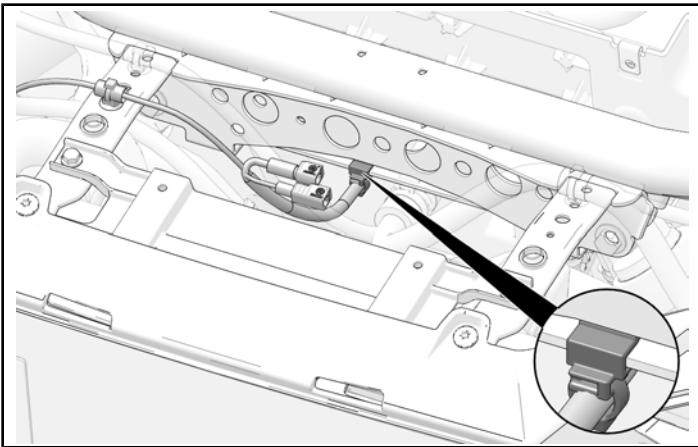
10. Put ambient air temperature sensor connector, front camera connector, and GPS antenna connectors through firewall grommet.



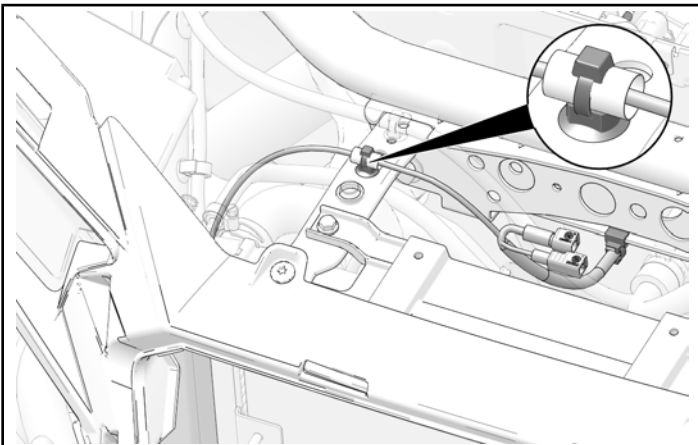
11. Pull connectors through grommet and route towards hood opening.



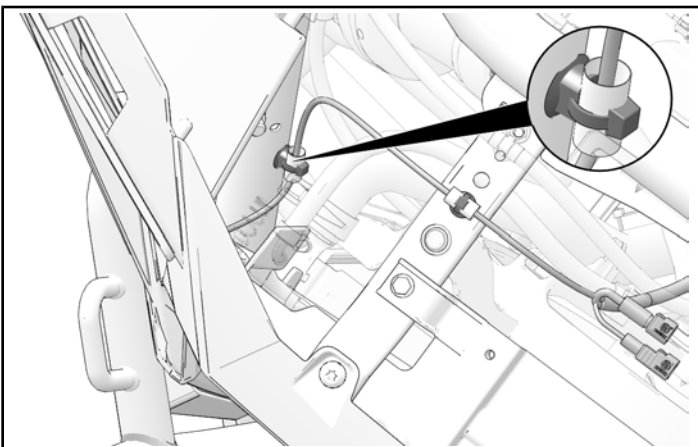
12. Install one edge clip to chassis, above suspension.



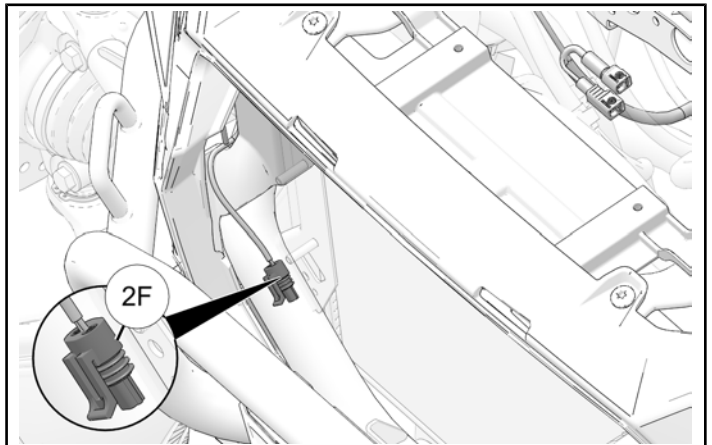
13. Install one push-dart to chassis.



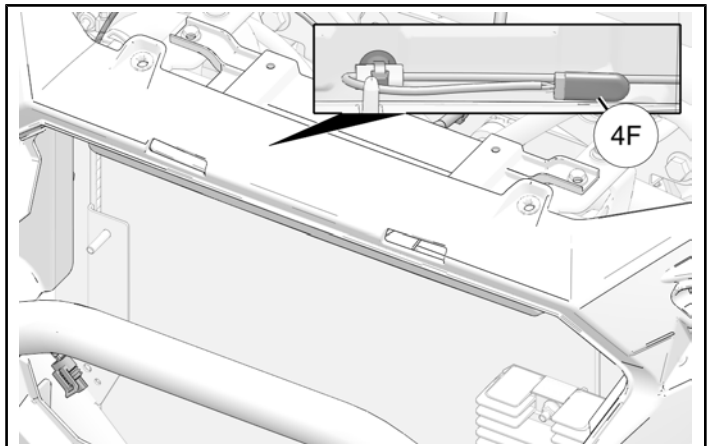
14. Install one push-dart to chassis tube, located behind headlight and beside radiator shroud.



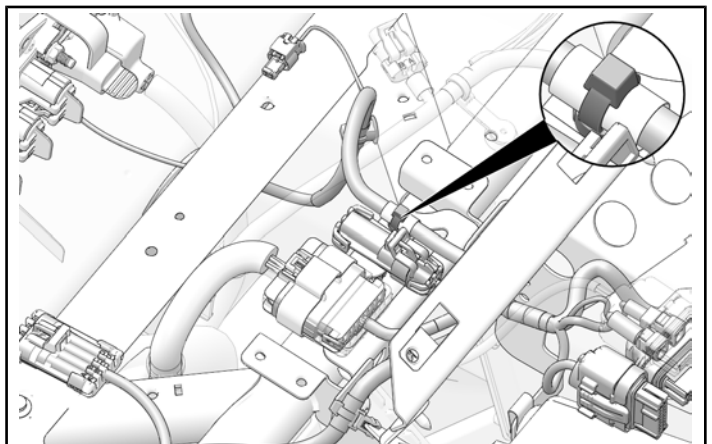
15. Route ambient air temperature sensor connector 2F through opening in radiator shroud.



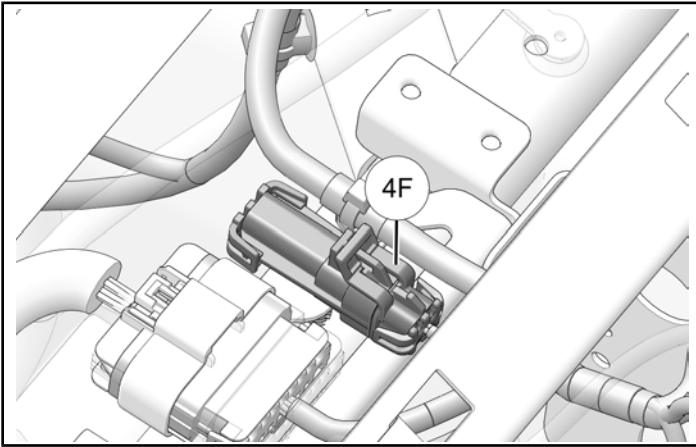
16. Route front camera connector under top of radiator shroud. Install one push-dart to radiator shroud.



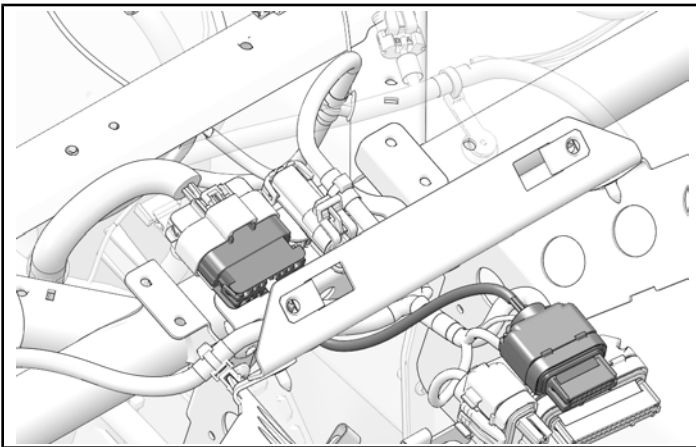
17. Put all display connectors in between brackets. Install one push-dart to chassis tube.



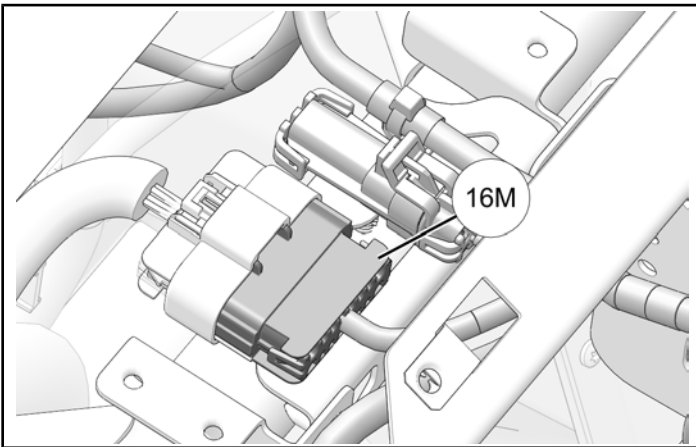
18. Install subwoofer connector **4F** to chassis tube.



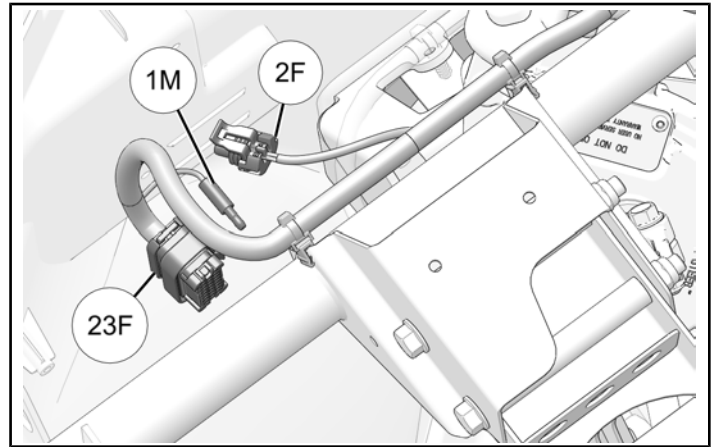
19. Remove and discard instrument cluster sub-harness.



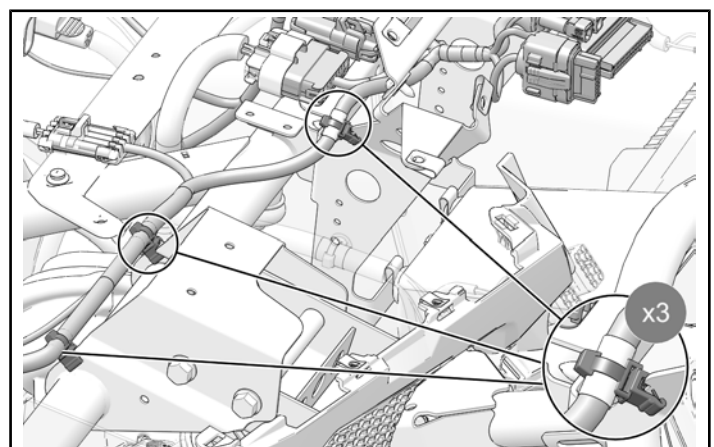
20. Install infotainment connector **16M** to main vehicle harness.



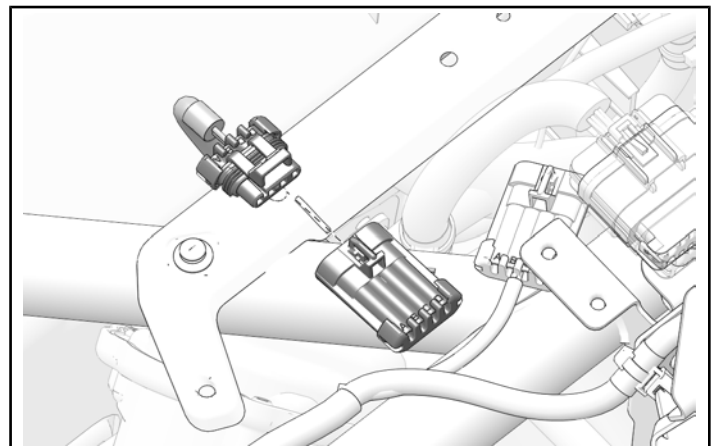
21. Route speaker connector **2F** and amplifier connectors **23F** and **1M** to left side of vehicle.



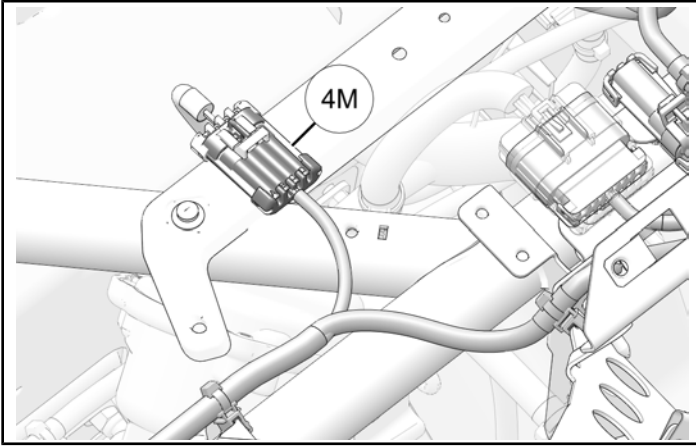
22. Install harness to chassis with three edge clips.



23. Rear audio equipped vehicles only:
Remove cap from rear audio connector on main vehicle harness.

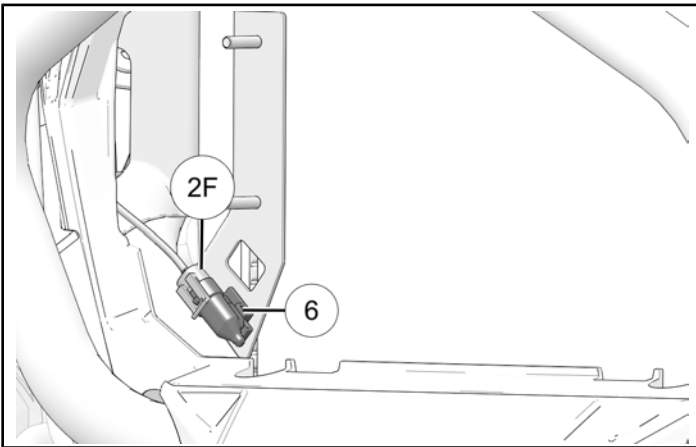


24. Rear audio equipped vehicles only:
Install rear audio connector **4M** to main vehicle harness.



AMBIENT AIR TEMPERATURE SENSOR INSTALLATION

1. Install ambient air temperature sensor **6** to Ride Command[®] harness connector **2F** and install sensor push-dart into bracket, as shown.

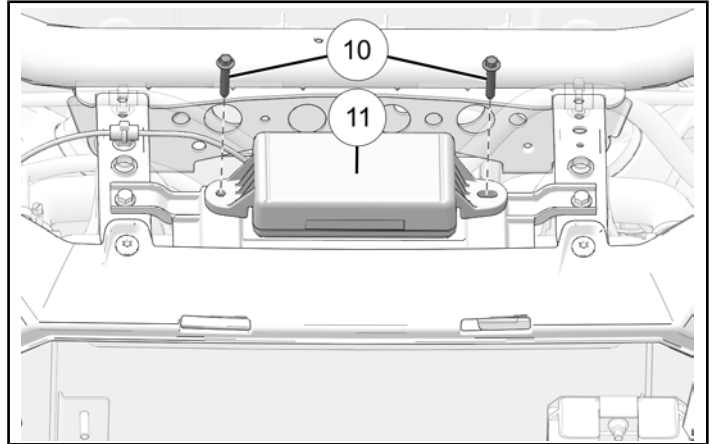


GPS ANTENNA INSTALLATION

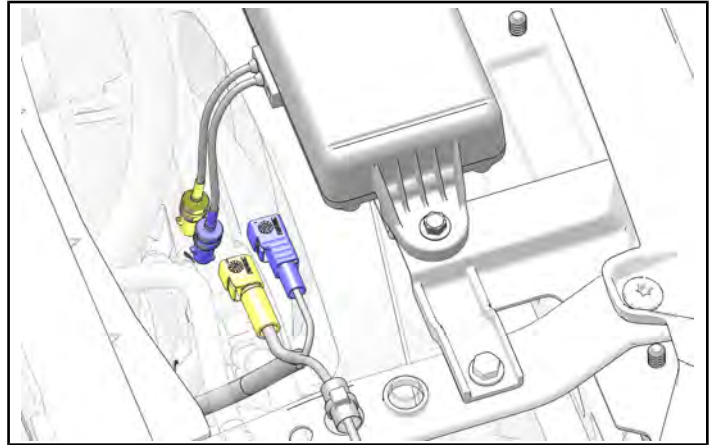
1. Install GPS antenna **11** to top of radiator shroud with two fasteners **10**. Torque two fasteners to specification.

TORQUE

GPS Antenna Fasteners **10**:
26 in-lbs (3 N·m)



2. Connect blue and gold GPS antenna connectors to corresponding connectors on Ride Command[®] harness.

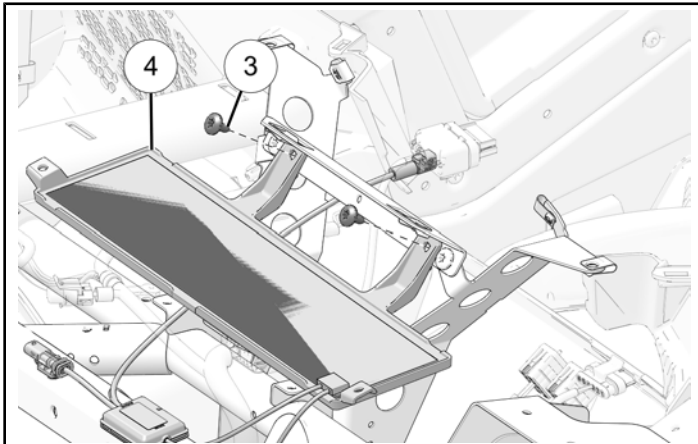


AM/FM ANTENNA INSTALLATION

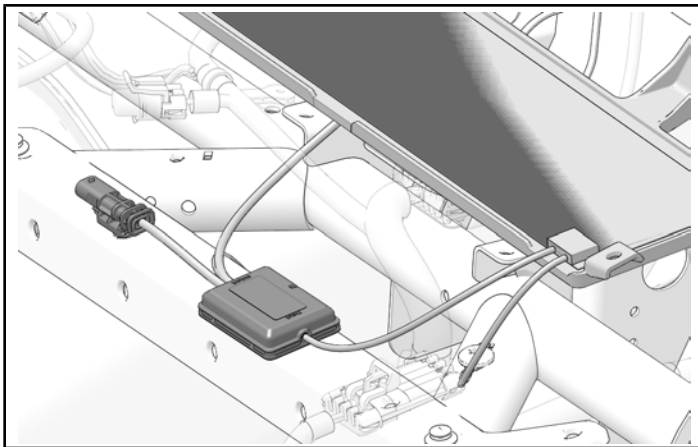
1. Install antenna bracket ④ to dashboard support brackets with two fasteners ③. Torque two fasteners to specification.

TORQUE

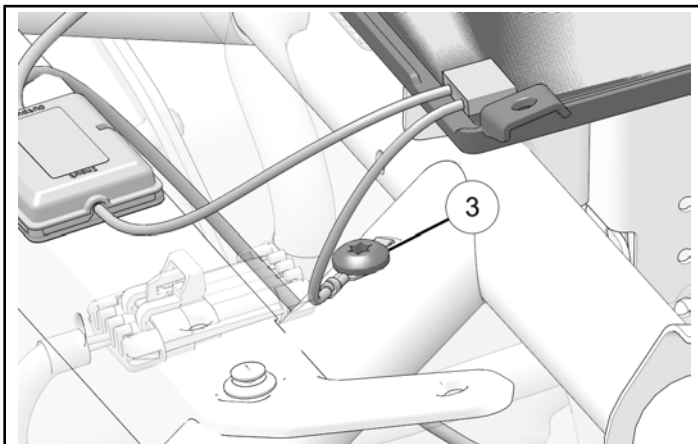
Antenna Bracket Fasteners ③:
97 in-lbs (11 N·m)



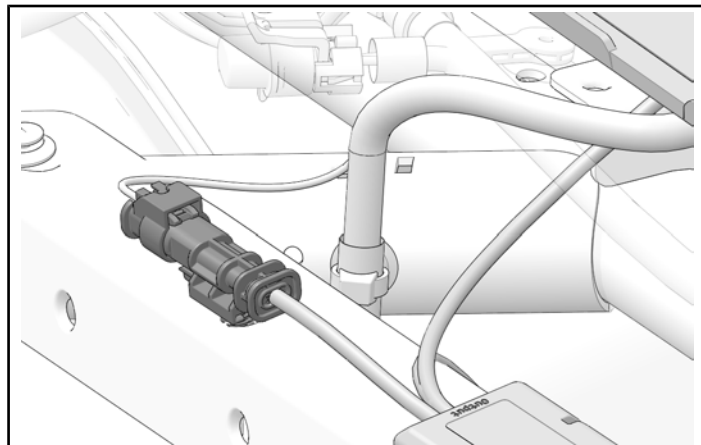
2. Install module and connector to chassis with attached push-darts.



3. Install ground ring to chassis tube with screw ③.

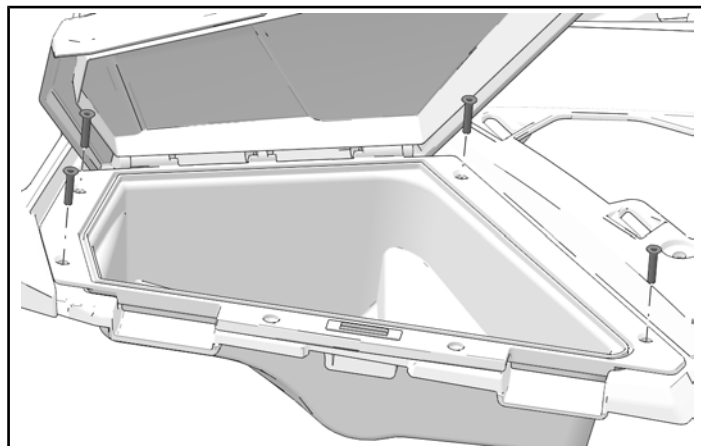


4. Install antenna connector to Ride Command® harness.



USB HARNESS INSTALLATION

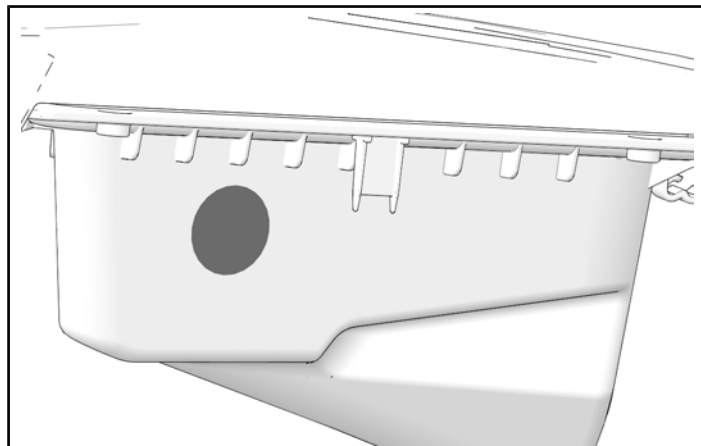
1. Remove and keep four storage compartment fasteners.



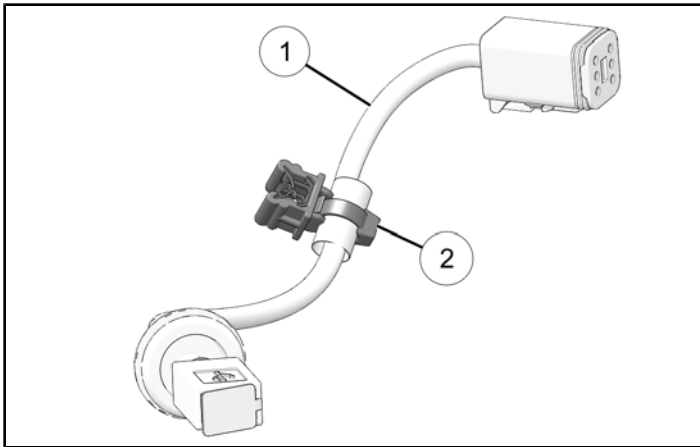
2. Drill one 1 in (25 mm) hole for the USB grommet in the driver side dashboard storage compartment along witness line.

TIP

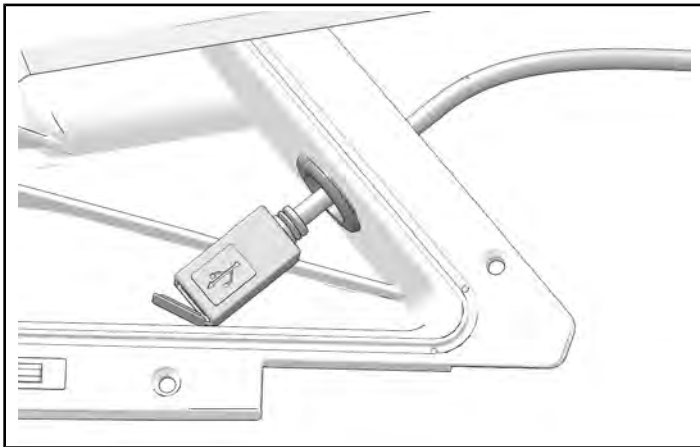
Use step bit to drill hole.



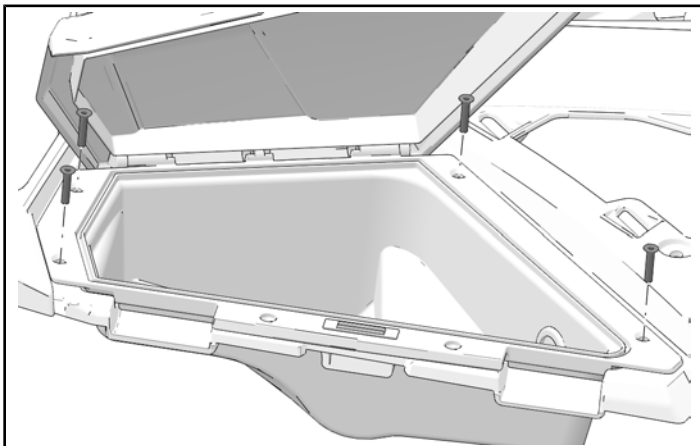
- Attach edge clip ② to USB harness ①.



- Put USB harness through hole in storage compartment and make sure grommet is seated within hole.

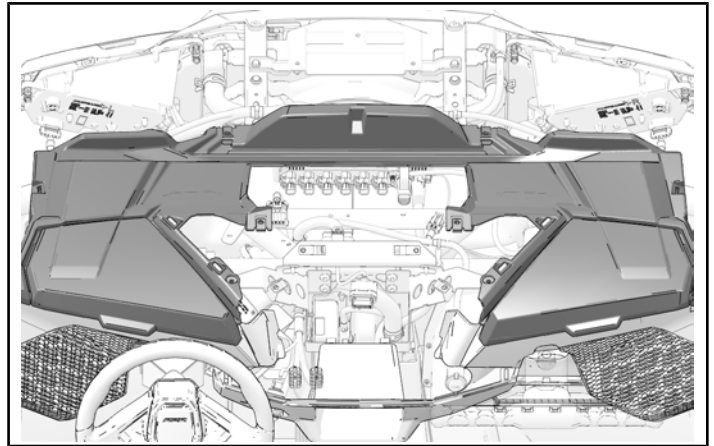


- Install storage compartment with four retained fasteners. Torque fasteners until fully seated.

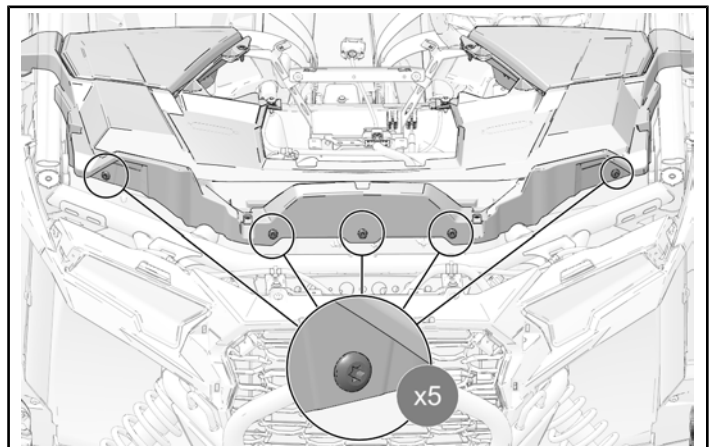


UPPER DASHBOARD INSTALLATION

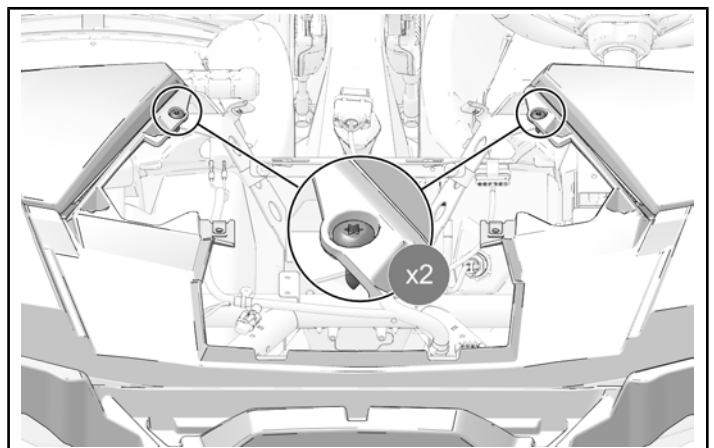
- Put the upper dashboard panel into the vehicle.



- Install upper dashboard with five fasteners.



- Install upper dashboard with two fasteners.

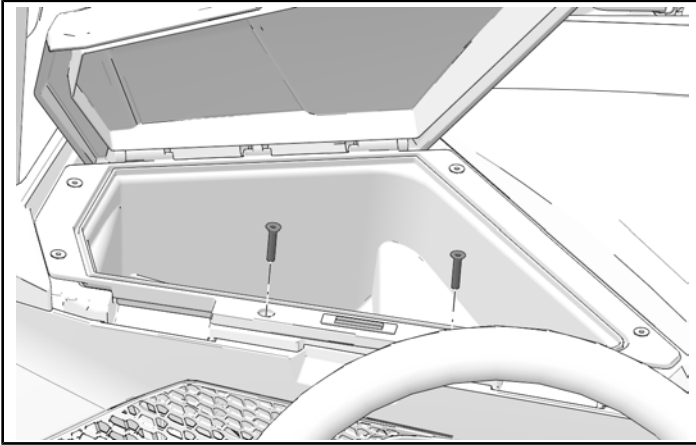


- Torque the seven dashboard fasteners to specification.

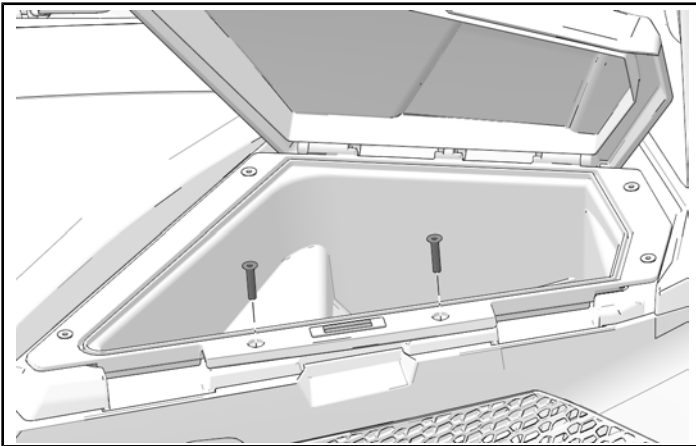
TORQUE

Upper Dashboard Fasteners:
88 in-lbs (10 N·m)

5. Install two storage compartment fasteners. Torque fasteners until fully seated.

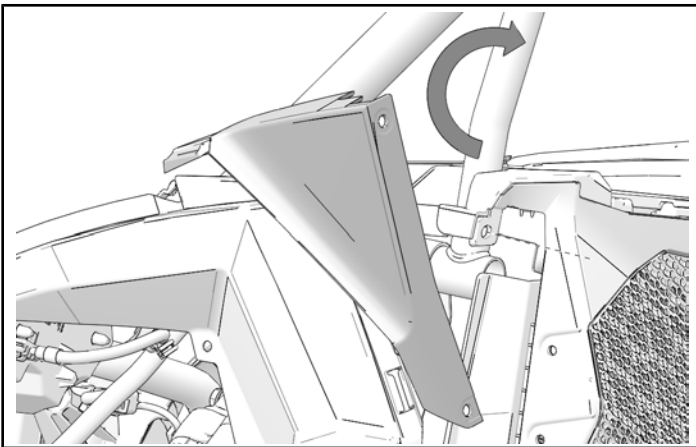


6. Install two storage compartment fasteners. Torque fasteners until fully seated.

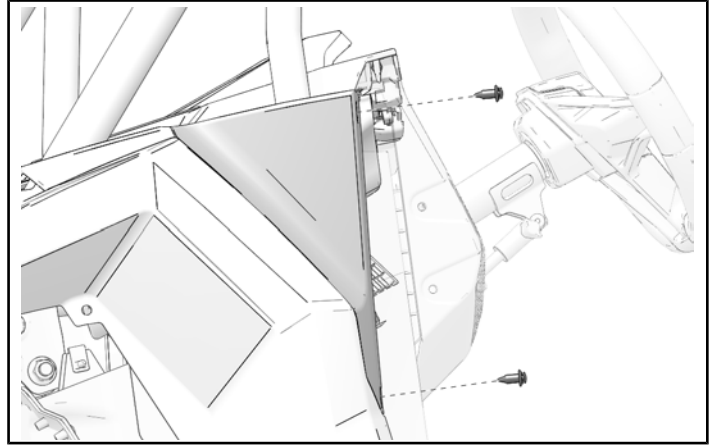


REAR POCKET FENDER INSTALLATION

1. Rotate rear pocket fender towards vehicle body and slide into place.



2. Attach rear pocket fender to vehicle using two push-pin rivets.

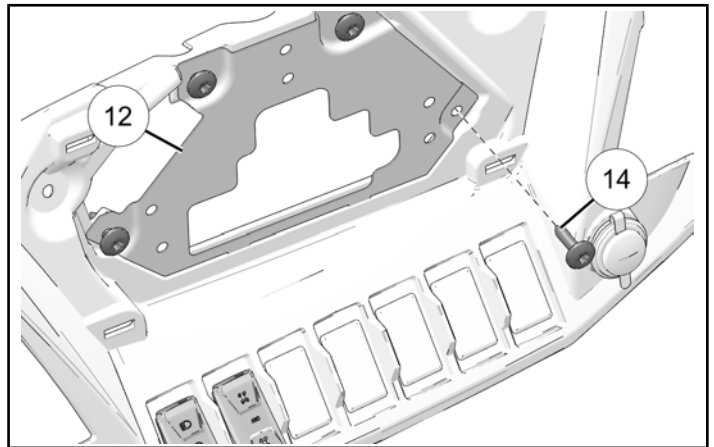


RIDE COMMAND® DISPLAY INSTALLATION

1. Install display bracket ⑫ to bezel with four fasteners ⑭. Torque four fasteners to specification.

TORQUE

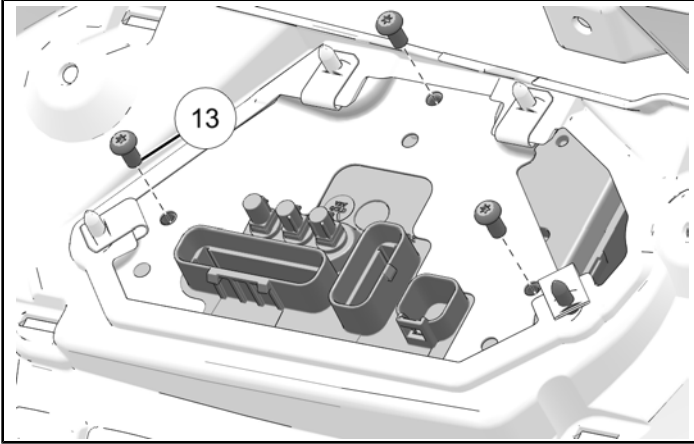
Display Bracket Fasteners ⑭:
53 in-lbs (6 N·m)



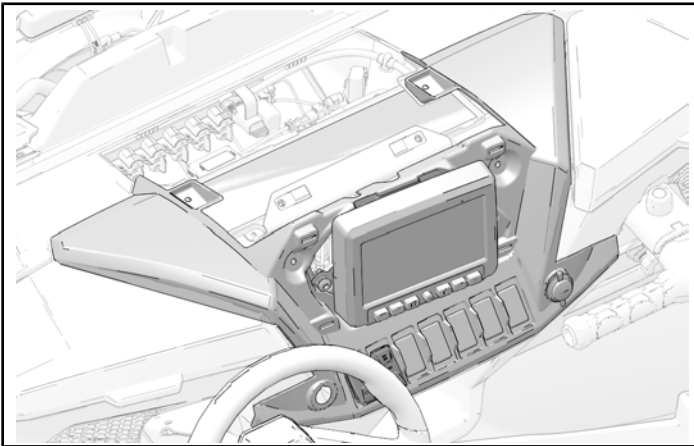
2. Install Ride Command® display (sold separately) to display bracket with three fasteners ⑬. Torque three fasteners to specification.

TORQUE

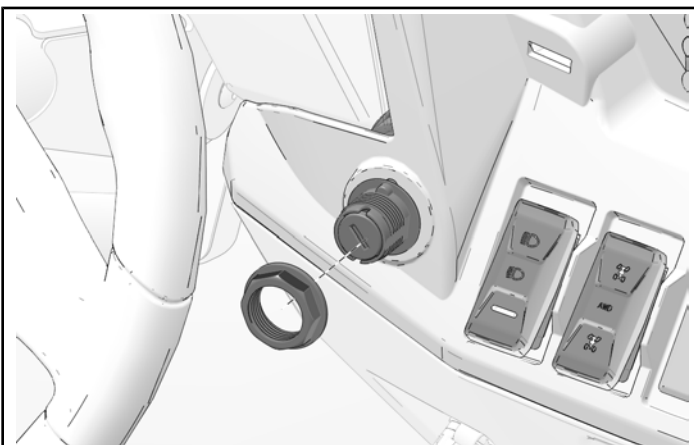
Display Fasteners ⑬:
26 in-lbs (3 N·m)



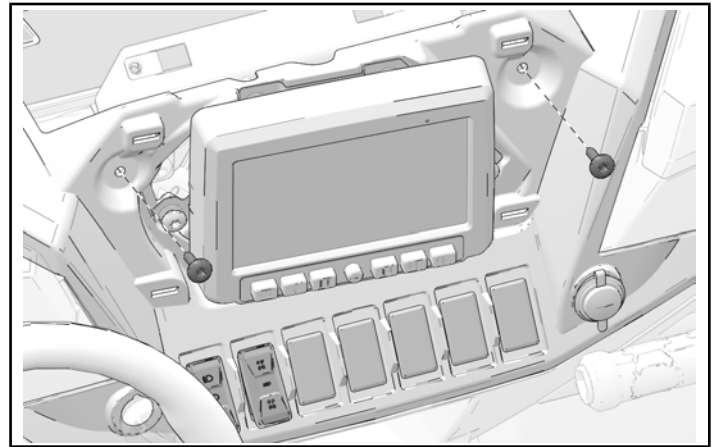
3. Put bezel near dashboard. Reach behind bezel and connect all switches and 12 V connections.



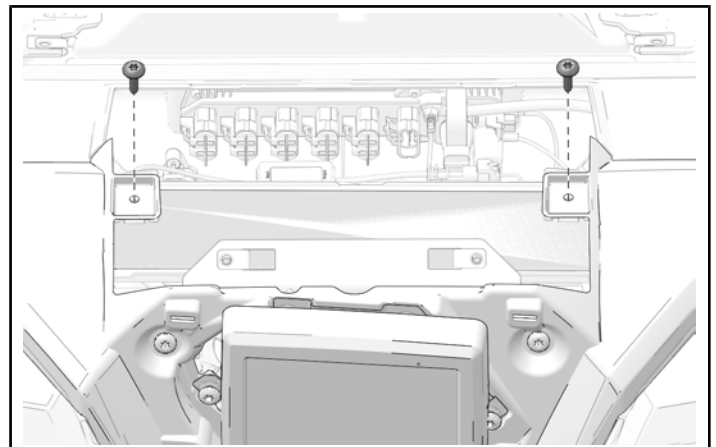
4. Push bezel into dashboard so that clips engage with dashboard.
5. Install ignition switch retaining nut. Torque nut until fully seated.



6. Install bezel with two retained lower bezel fasteners.



7. Install bezel with two retained upper bezel fasteners.

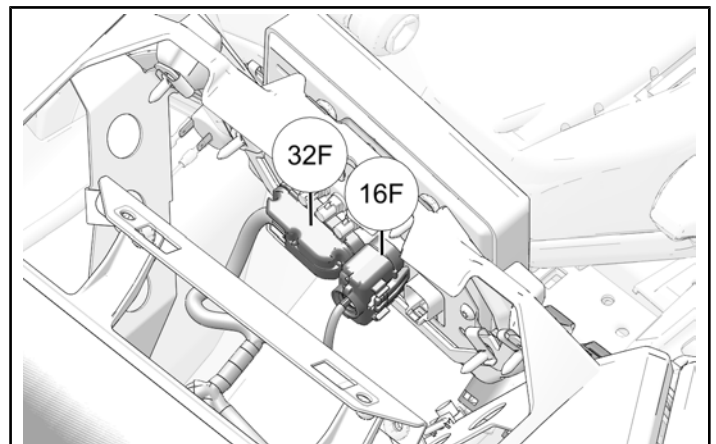


8. Torque four bezel fasteners to specification.

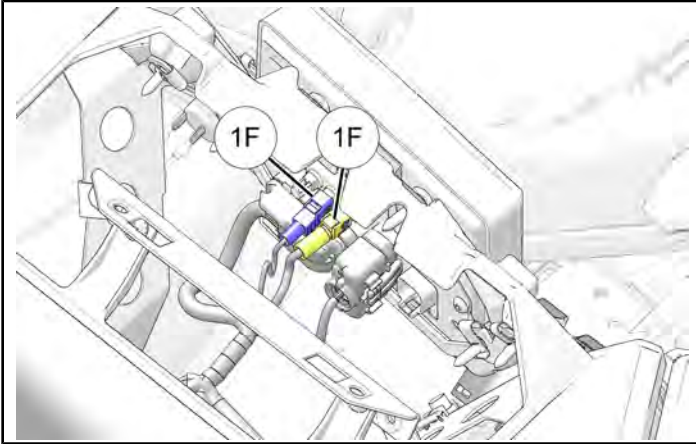
TORQUE

Bezel Fasteners:
88 in-lbs (10 N·m)

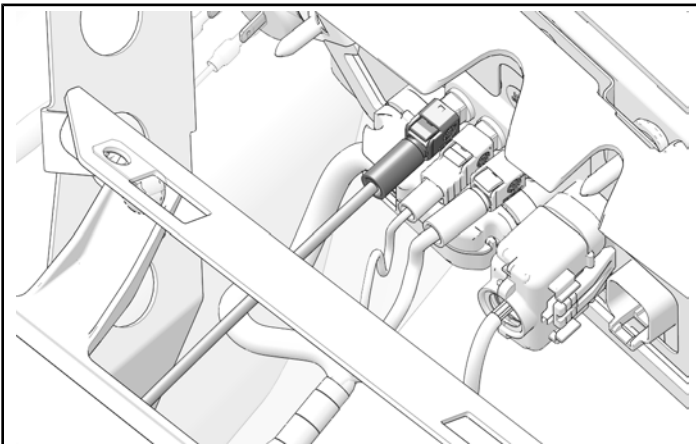
9. Install display connectors 32F and 16F into the back of the Ride Command® display.



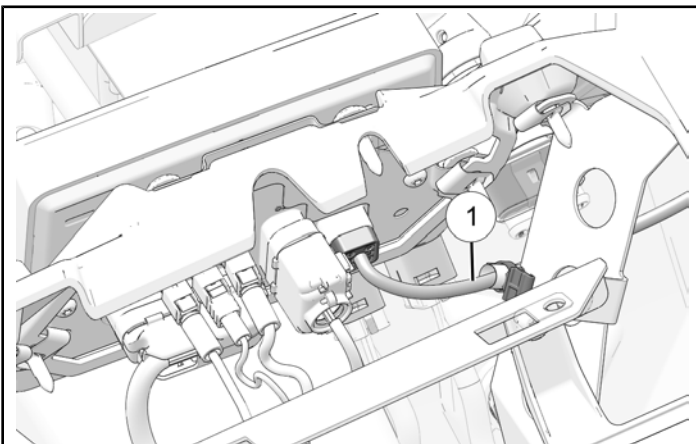
10. Install blue **1F** and gold **1F** GPS antenna connectors into the back of the Ride Command® display.



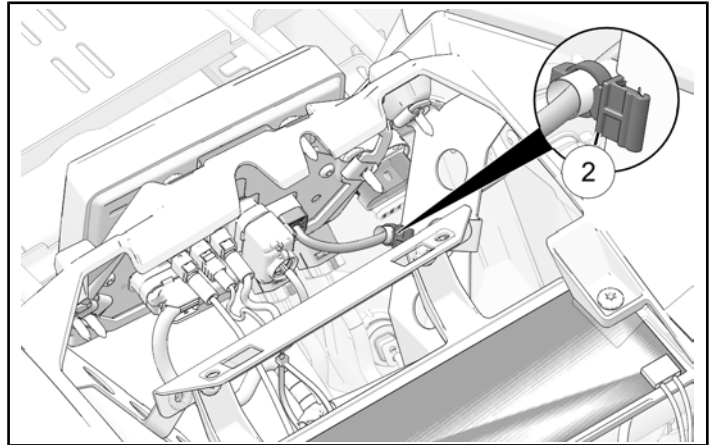
11. Install the AM/FM antenna connector into the back of the Ride Command® display.



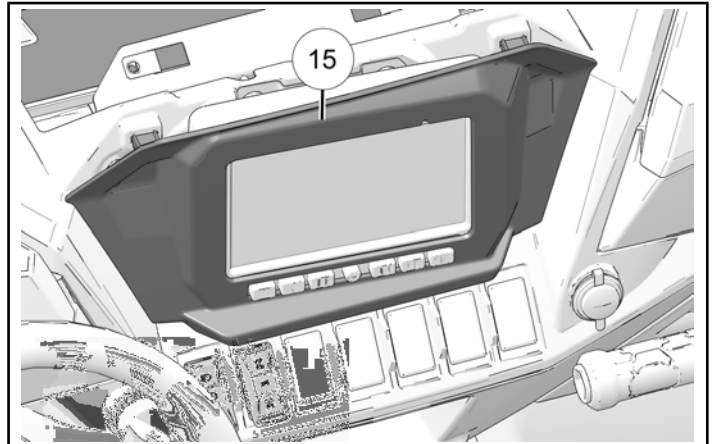
12. Install the USB harness **1** into the back of the Ride Command® display.



13. Attach edge clip **2** to the dashboard support bracket, as shown.

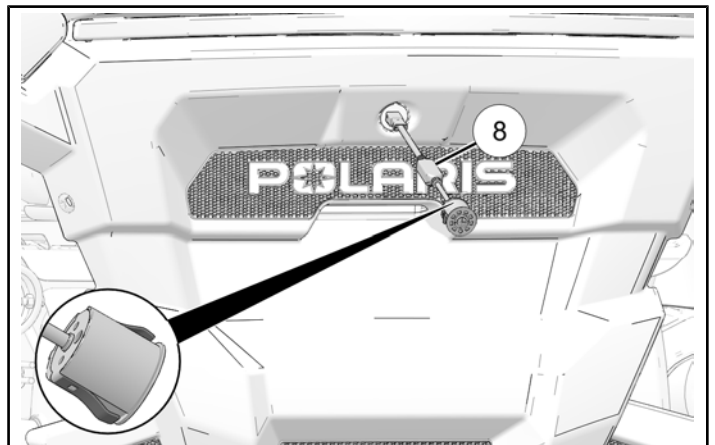


14. Push bezel cover **15** into dashboard panel at each corner, making sure each clip engages with dashboard.

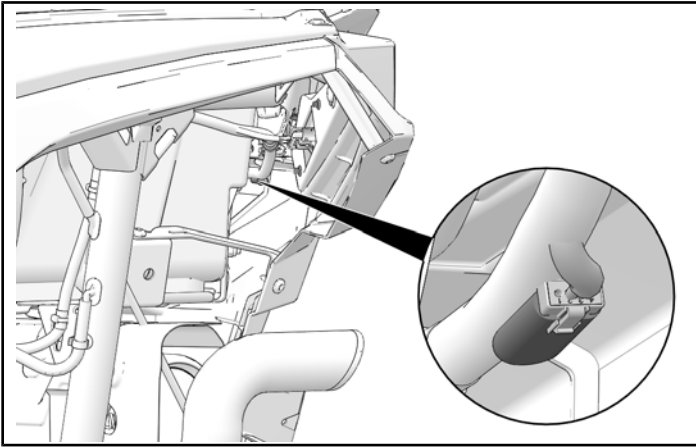


REAR CAMERA INSTALLATION

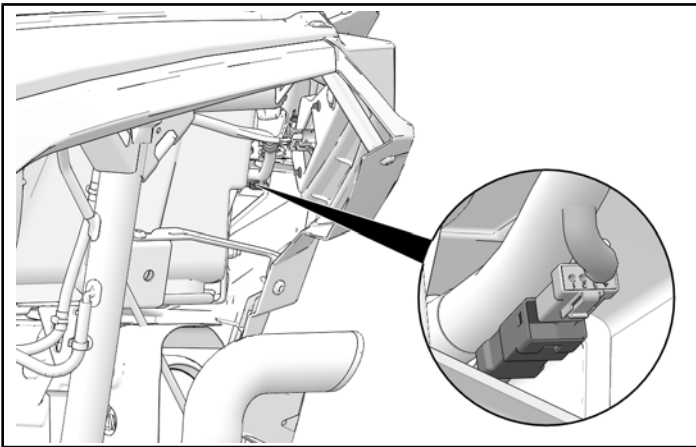
1. Put rear camera **8** into rear fascia opening. Push camera until two side clips snap into place.



2. Find rear camera connector on chassis electrical harness and remove cap.



3. Connect rear camera to chassis electrical harness.



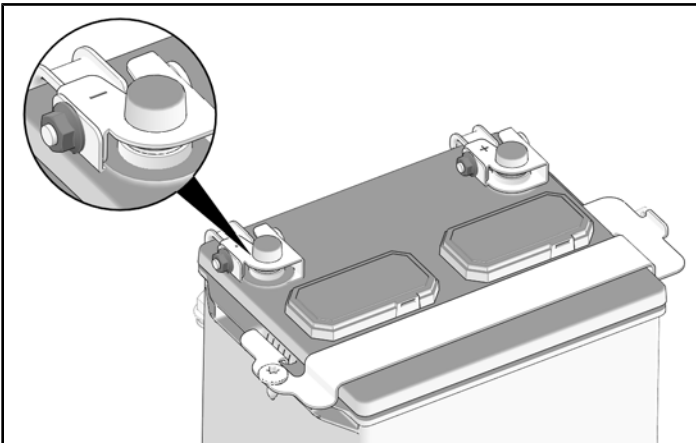
VEHICLE REASSEMBLY

BATTERY CONNECT

1. Put negative battery cable on battery and torque nut to specification.

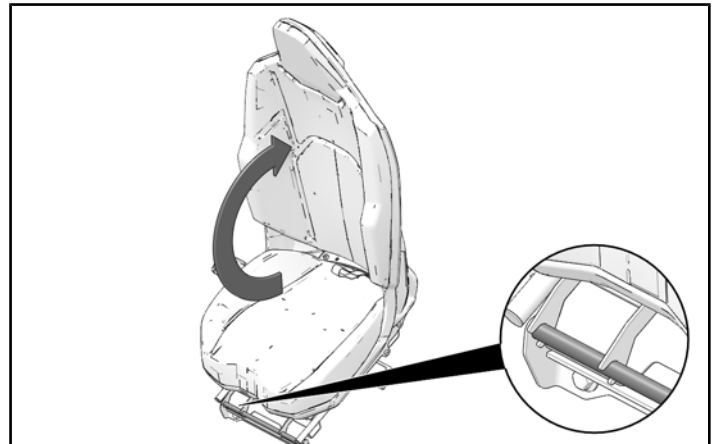
TORQUE

Battery Nut:
26 ft-lbs (35 N·m)



SEAT INSTALLATION

1. Put seat in vehicle with front resting on tube, as shown. Push seat back until it engages with rear tube.



GENERAL

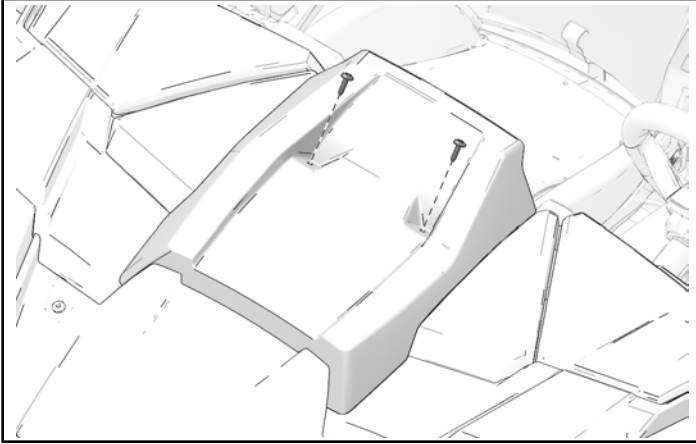
1. Verify Ride Command® display and connected electrical components function properly:
 - AWD
 - Audio
 - Cameras
 - GPS
 - Switches
 - Vehicle Lighting
 - Other electrical components
2. See Ride Command® user manual for more details.

DASHBOARD CENTER INSTALLATION

1. Install center dashboard panel with two retained fasteners. Torque fasteners to specification.

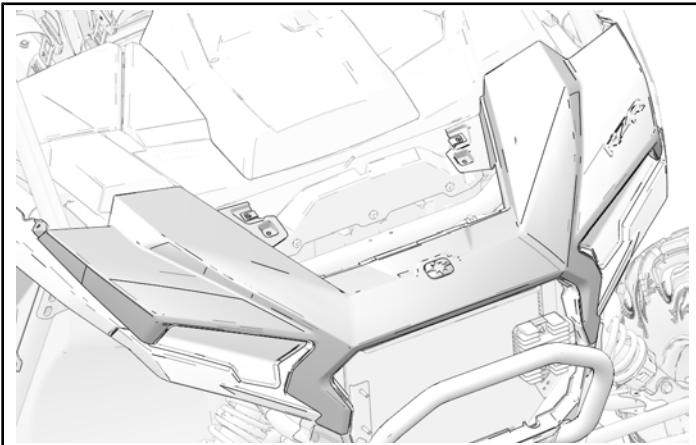
TORQUE

Dashboard Fasteners:
88 in-lbs (10 N·m)



OUTER HOOD INSTALLATION

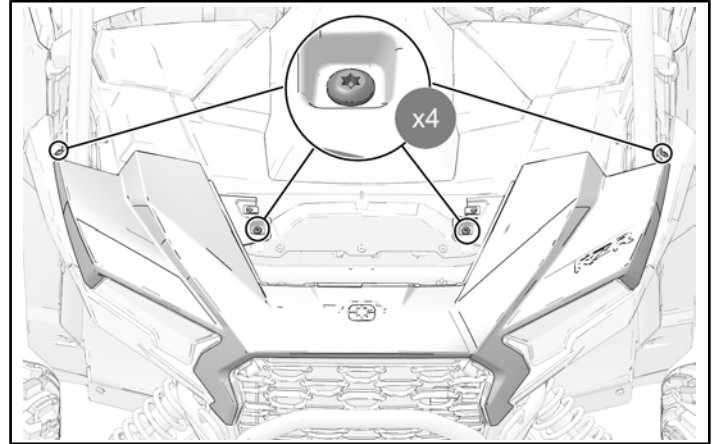
1. Put outer hood on vehicle in installed position.



2. Install outer hood fasteners with four retained fasteners. Torque the four fasteners to specification.

TORQUE

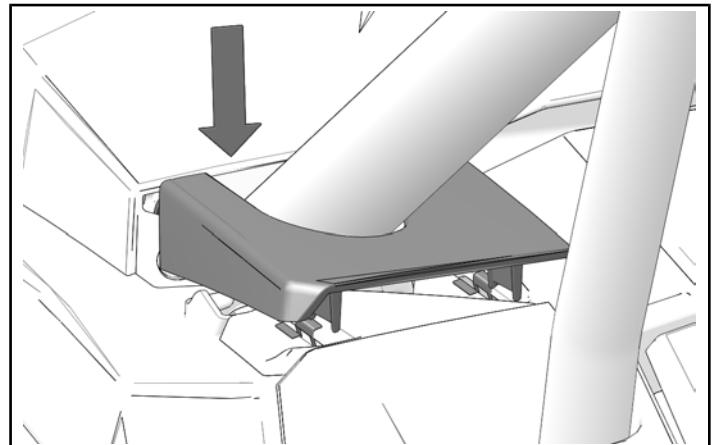
Outer Hood Fasteners
88 in-lbs (10 N·m)



3. Place front pocket fender around ROPS bar and into outer hood slots.

NOTICE

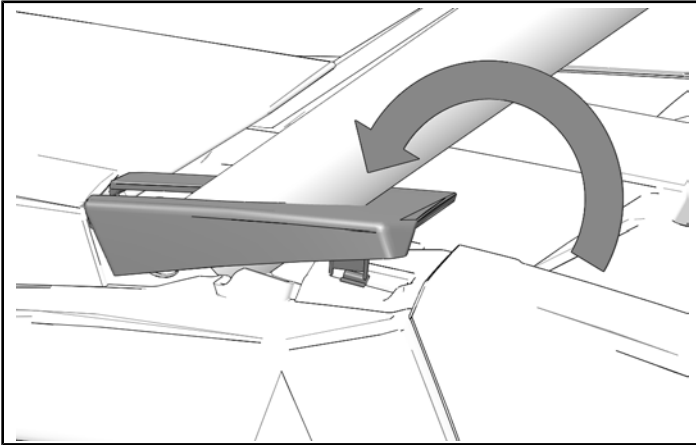
Left side shown, right side similar.



4. Gently push tab into clips until front pocket fender is secure.

NOTICE

Left side shown, right side similar.

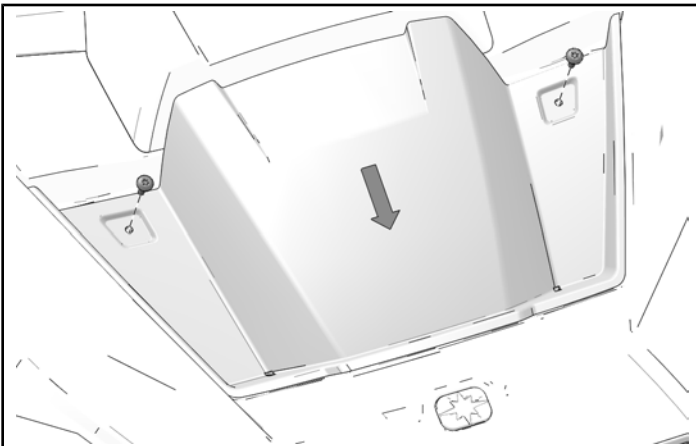


HOOD INSTALLATION

1. Move hood forward, into outer hood panel, and install with two retained fasteners. Torque fasteners to specification.

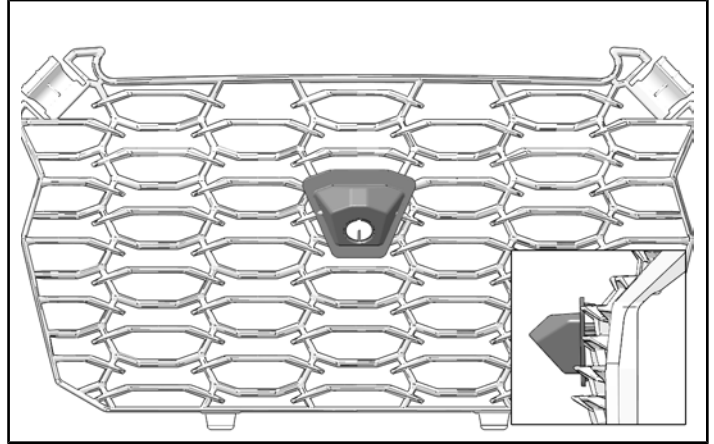
TORQUE

Hood Fasteners:
88 in-lbs (10 N·m)



FRONT CAMERA INSTALL

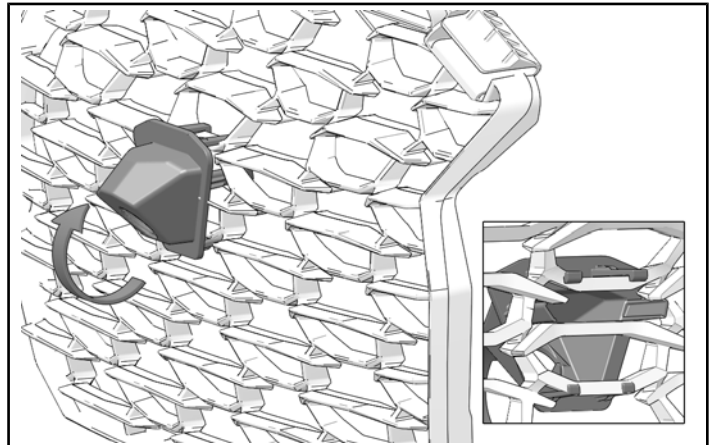
1. Identify installation location.



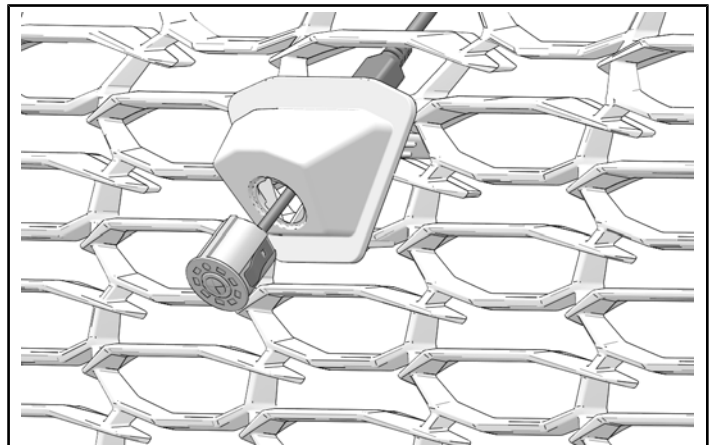
2. Install camera mount on grille, as shown.

IMPORTANT

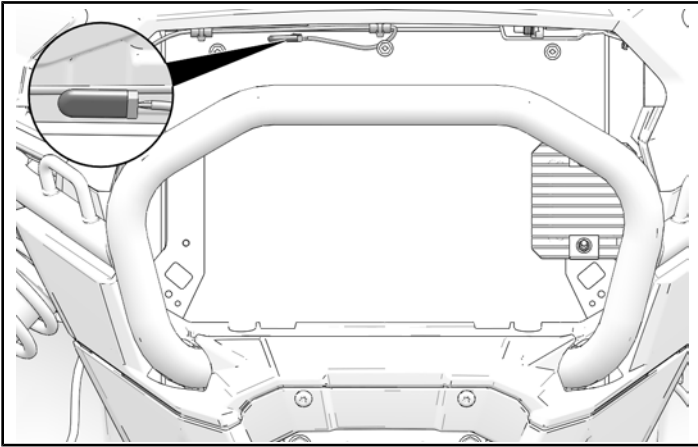
Make sure bumper will not obstruct camera view.



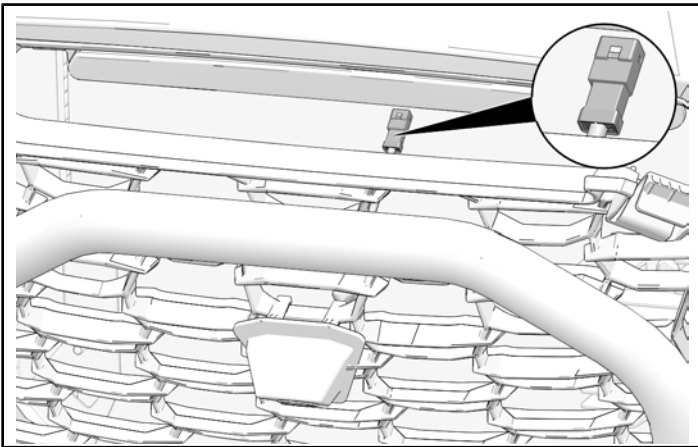
3. Put front camera into mount and push until two side clips snap into place.



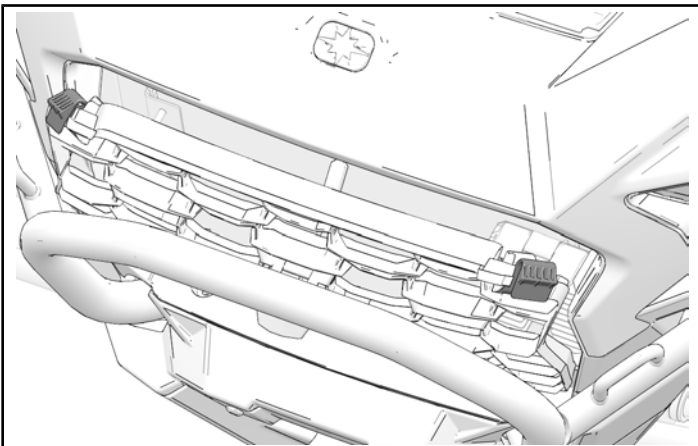
4. Find front camera connector on underside of radiator shroud. Remove cap from connector.



5. Put grille against bumper and install front camera to electrical harness.



6. Put bottom of grille in first and push top of grille in until two tabs engage upper front fascia.



OPERATION

Refer to user manual provided with Ride Command® display for procedures on operation, software updates, map updates, and more.

INSTRUCTION FEEDBACK FORM

A feedback form has been created for the installer to provide any comments, questions or concerns about the installation instructions. The form is viewable on mobile devices by scanning the QR code or by clicking [HERE](#) if viewing on a PC.

