

# REAR STORAGE BOX KIT



P/N 2884525

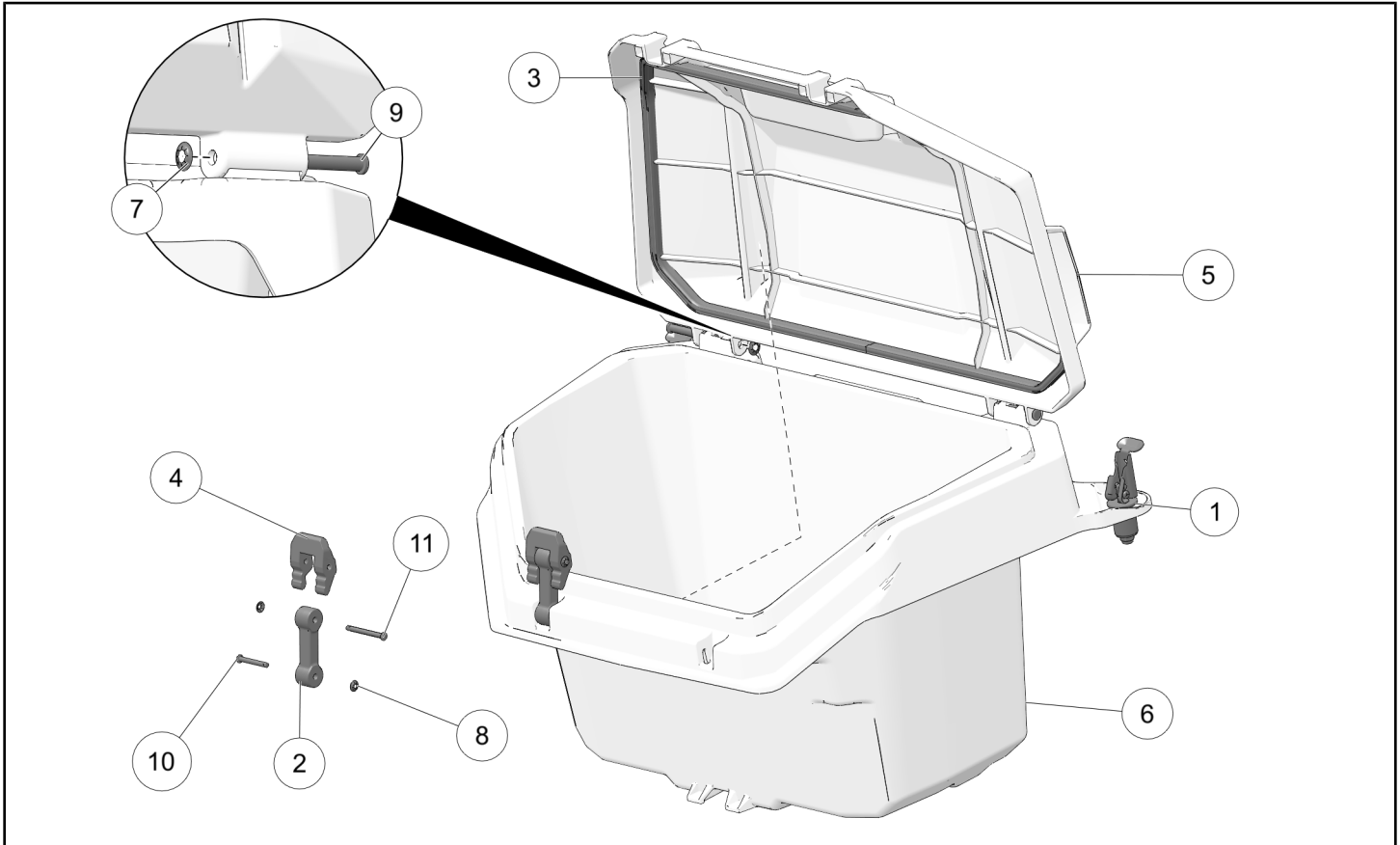
## BEFORE YOU BEGIN

Read these instructions and check to be sure all parts and tools are accounted for. Please retain these installation instructions for future reference and parts ordering information.

## APPLICATION

Verify accessory fitment at [www.polaris.com](http://www.polaris.com).

## KIT CONTENTS



REF	QTY	PART DESCRIPTION	P/N AVAILABLE SEPARATELY	AVAILABLE SERVICE KIT
1	2	Lock and Ride® Anchor Kit	2876420	n/a
2	2	Body-Flex Latch, Storage	n/a	2207771
3	1	Seal-Cargo Box	n/a	2207771
4	2	Latch-Lever	n/a	n/a
5	1	Box-Storage, Lid	n/a	n/a
6	1	Box-Storage, Base	n/a	n/a
7	2	Nut-Push, 5/16 in	n/a	2207771
8	4	Nut-Push, 3/16 in	n/a	2207771

REF	QTY	PART DESCRIPTION	P/N AVAILABLE SEPARATELY	AVAILABLE SERVICE KIT
9	4	Pin-Clevis, 31.0 x 2.25	n/a	2207771
10	2	Pin-Clevis, 19.0 x 1.31	n/a	2207771
11	2	Pin-Clevis, 19.0 x 1.81	n/a	2207771

## TOOLS REQUIRED

- Wrench, Adjustable, 10 in

## IMPORTANT

Your Rear Storage Box Kit is exclusively designed for your vehicle. Please read the installation instructions thoroughly before beginning. Installation is easier if the vehicle is clean and free of debris. For your safety, and to ensure a satisfactory installation, perform all installation steps correctly in the sequence shown.

## INSTALLATION INSTRUCTIONS

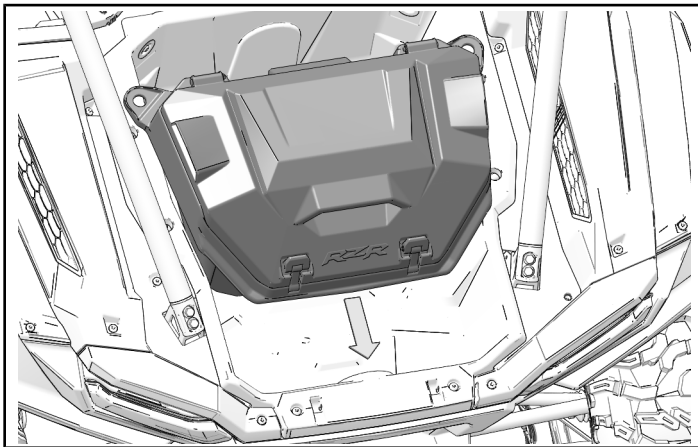
### VEHICLE PREPARATION

#### GENERAL

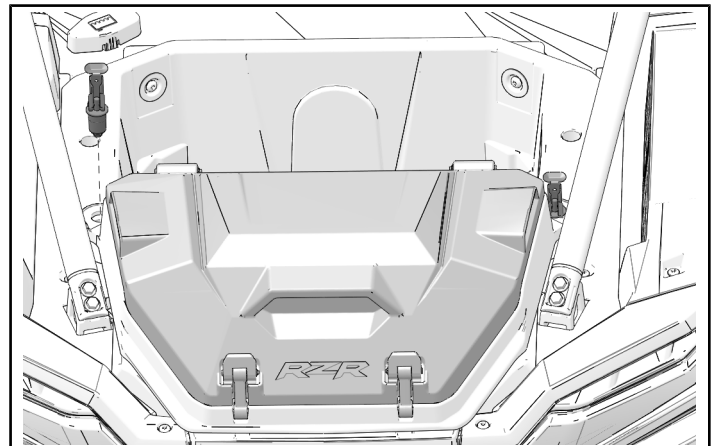
1. Park vehicle on a flat surface.
2. Shift vehicle into PARK.
3. Turn key to OFF position and remove key.

### ACCESSORY INSTALLATION

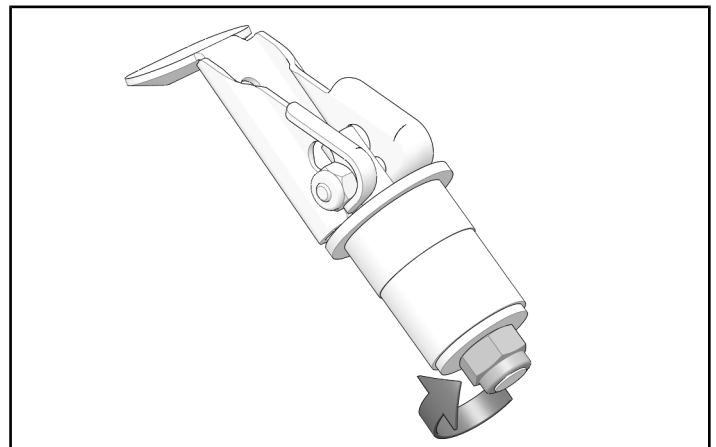
1. Install pre-assembled storage box in rear-most part of cargo box. Move front of storage box under lip of cargo box and make sure Lock & Ride® storage box holes are aligned with mounting holes in rear box.



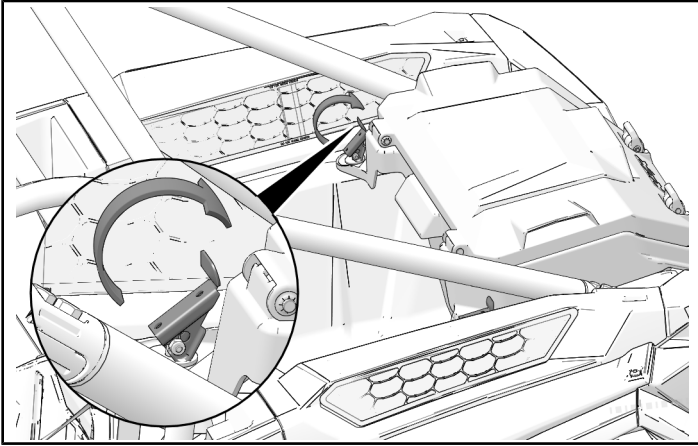
2. Install two Lock & Ride® assemblies in two aligned mounting holes.



3. Lock & Ride® assemblies may need adjustment. Tighten or loosen bottom nut depending on fitment.



4. Make sure Lock & Ride® assemblies are fully seated before closing top lever and securing storage box.



## INSTRUCTION FEEDBACK FORM

A feedback form has been created for the installer to provide any comments, questions or concerns about the installation instructions. The form is viewable on mobile devices by scanning the QR code or by clicking [HERE](#) if viewing on a PC.

