

# GLASS WINDSHIELD KIT



P/N 2884545

## BEFORE YOU BEGIN

Read these instructions and check to be sure all parts and tools are accounted for. Please retain these installation instructions for future reference and parts ordering information.

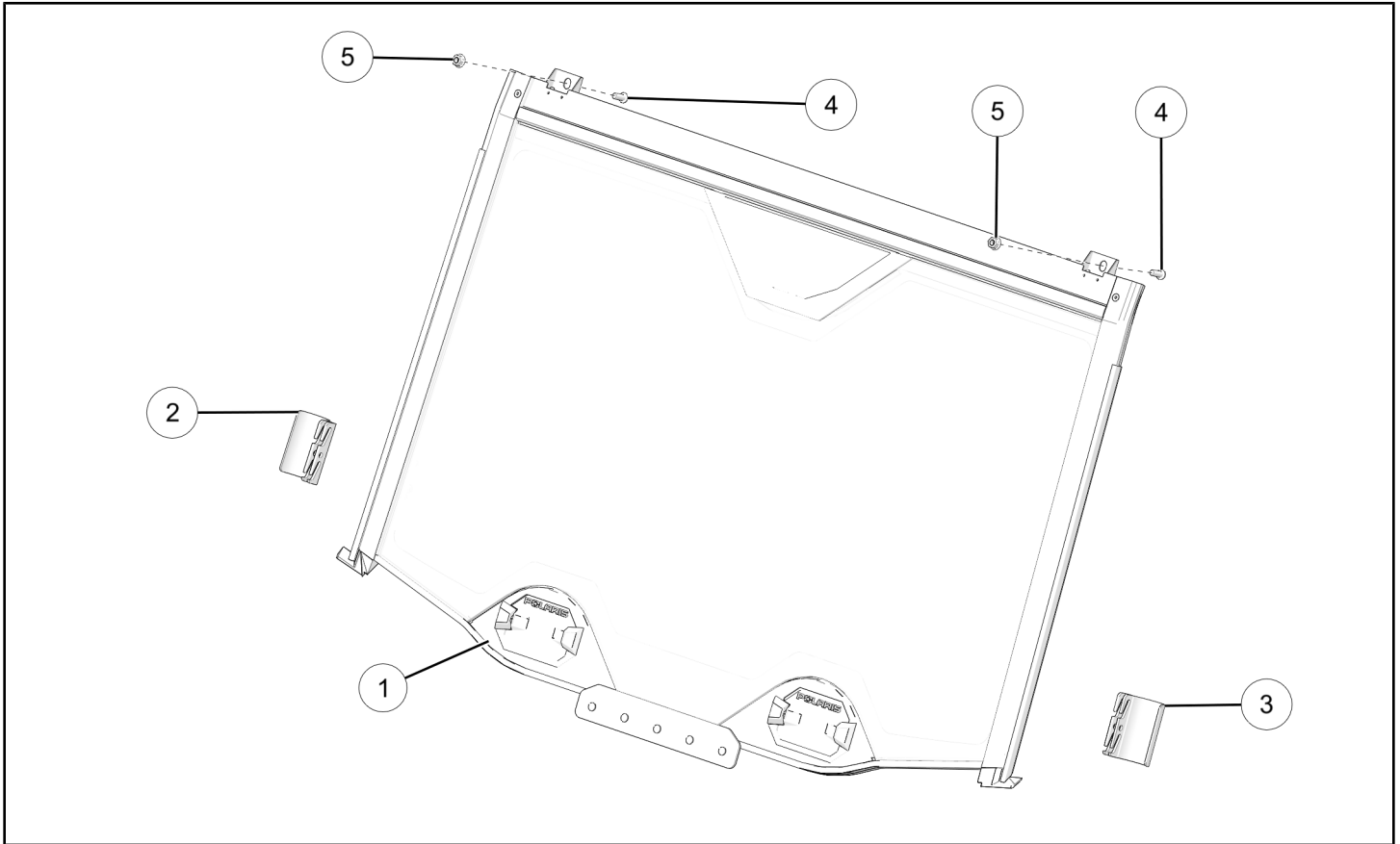
## APPLICATION

Verify accessory fitment at [www.polaris.com](http://www.polaris.com).

### IMPORTANT

Glass Windshield Kit P/N 2883753 is not compatible with lightbar-equipped aluminum roof. If vehicle is equipped with aluminum roof and lightbar pocket, use Glass Windshield Kit P/N 2884625.

## KIT CONTENTS



REF	QTY	PART DESCRIPTION	P/N AVAILABLE SEPARATELY
1	1	Assembly – Glass Windshield	n/a
2	1	Clamp – Glass, Left-Hand	n/a
3	1	Clamp – Glass, Right-Hand	n/a
4	2	Screw – Torx®, M8 x 1.25 x 20 mm	7519648

REF	QTY	PART DESCRIPTION	P/N AVAILABLE SEPARATELY
5	2	Nut – Hex, Flanged, M8 x 1.25 mm	7547508
-	1	Hardware – Windshield, Glass (not shown)	2209135

## TOOLS REQUIRED

- Safety Glasses
- Drill
- Drill Bit:
  - 5/16 in (8 mm)
- Socket Set, Metric
- Torque Wrench
- Wrench Set, Metric

## IMPORTANT

Your Glass Windshield Kit is exclusively designed for your vehicle. Please read the installation instructions thoroughly before beginning. Installation is easier if the vehicle is clean and free of debris. For your safety, and to ensure a satisfactory installation, perform all installation steps correctly in the sequence shown.

## INSTALLATION INSTRUCTIONS

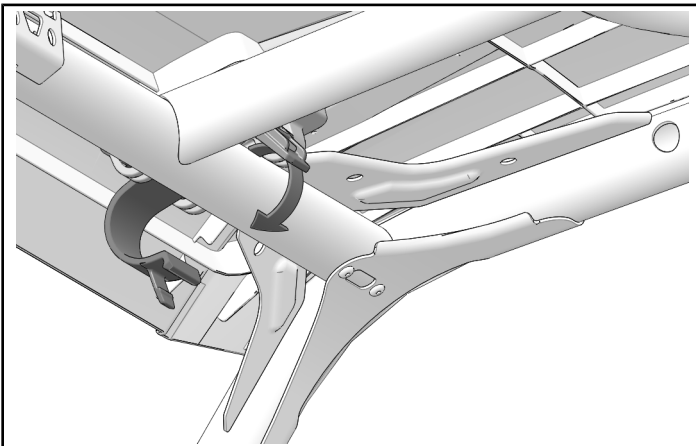
### VEHICLE PREPARATION

#### GENERAL

1. Park vehicle on a flat surface.
2. Shift vehicle into PARK.
3. Turn key to OFF position and remove key.

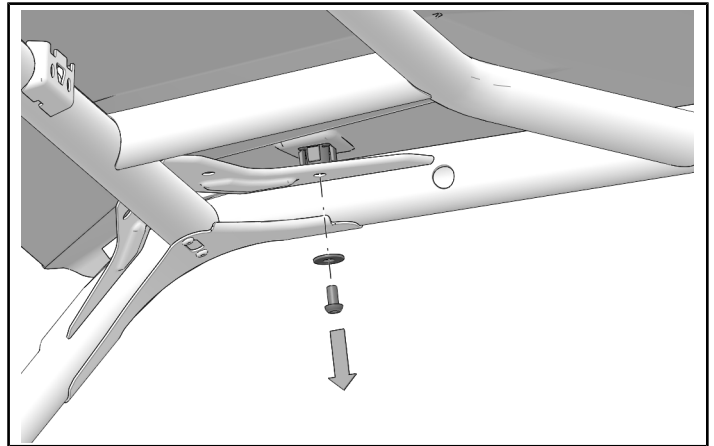
#### POLY ROOF PREPARATION

1. Release quick clamps at front of roof.



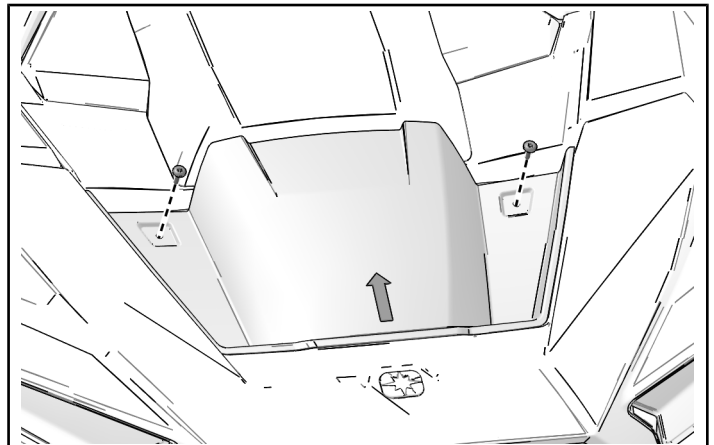
#### ALUMINUM ROOF PREPARATION

1. Remove and keep hardware from two front mounts.



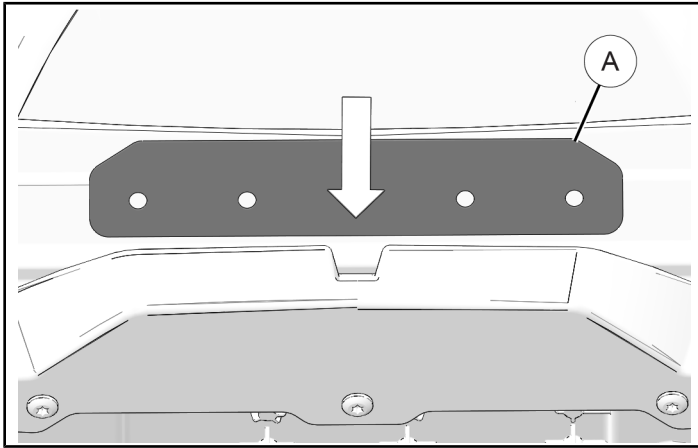
#### CENTER HOOD REMOVAL

1. Remove two screws. Remove the hood towards the rear.



## ACCESSORY INSTALLATION

1. Center bracket **(A)** at bottom of windshield opening. Mark holes for drilling.



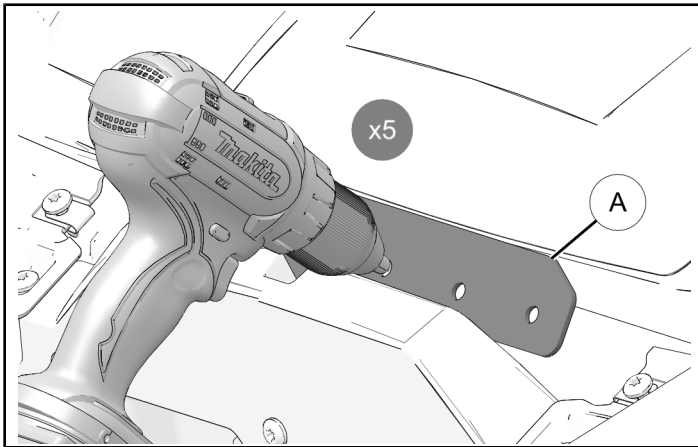
2. Drill five holes.

### IMPORTANT

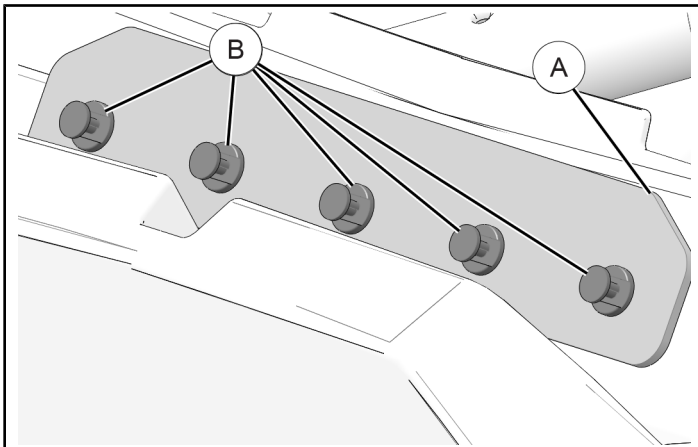
Control drill depth to **1/4 in.**

### MEASUREMENT

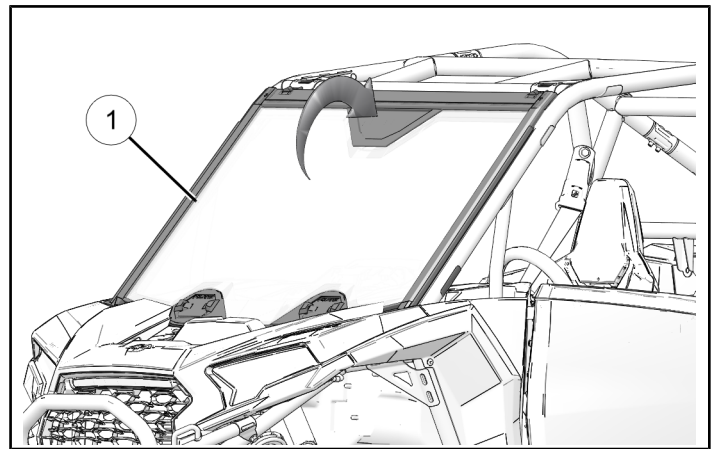
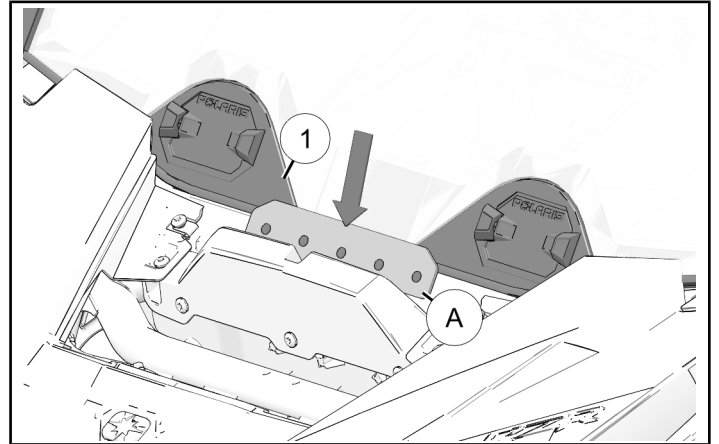
Drill Bit: **5/16 in. (8mm)**



3. Attach bracket **(A)** using five push pin rivets **(B)**.



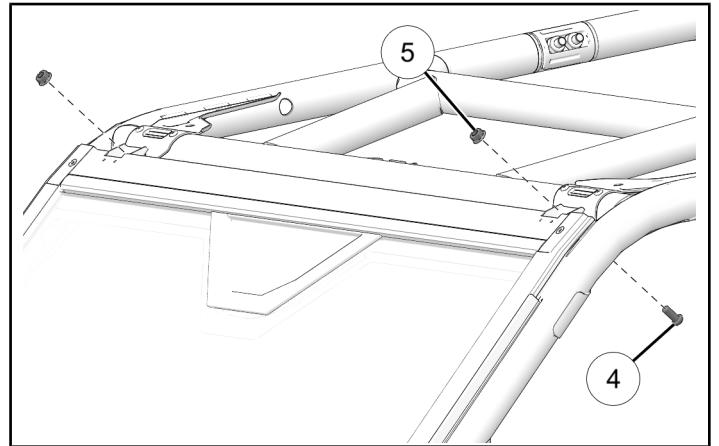
4. Install glass windshield assembly **(1)** onto bracket **(A)** and gently lay windshield on ROPS opening. Make sure windshield assembly **(1)** fits behind bracket **(A)**.



5. Attach glass windshield at top of ROPS using two screws **(4)** and two nuts **(5)**. Torque to specification.

### TORQUE

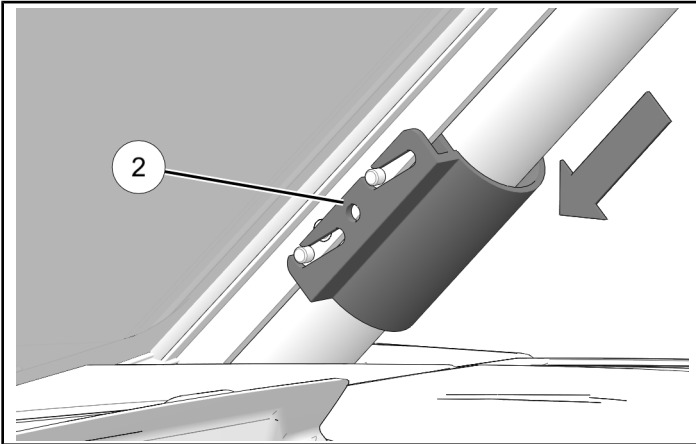
Windshield Mount Nuts **(5)**:  
**88 in-lbs (10 N·m)**



6. Install windshield clamp ②.

**NOTICE**

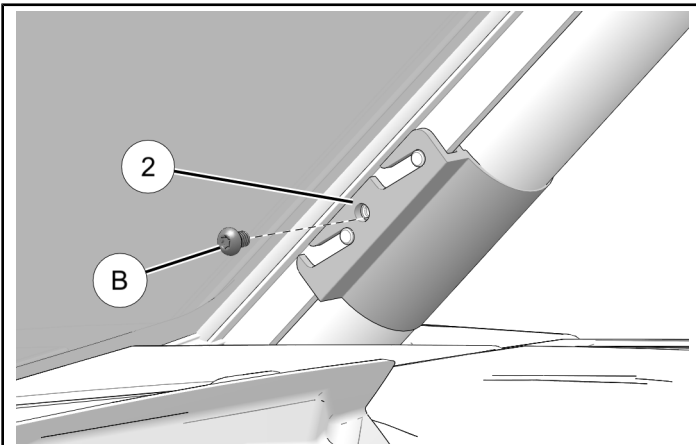
Right side shown, left side similar.



7. Attach windshield clamp ② with screw ⑧. Torque to specification.

**TORQUE**

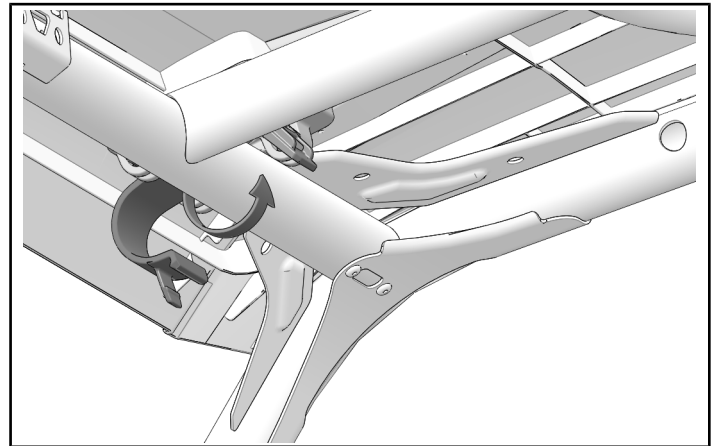
Windshield Clamp Screw ⑧:  
**40 in-lbs (4.5 N·m)**



## VEHICLE REASSEMBLY

### FASTEN POLY ROOF CLAMPS

1. Put poly roof clamps in place and lock in position.

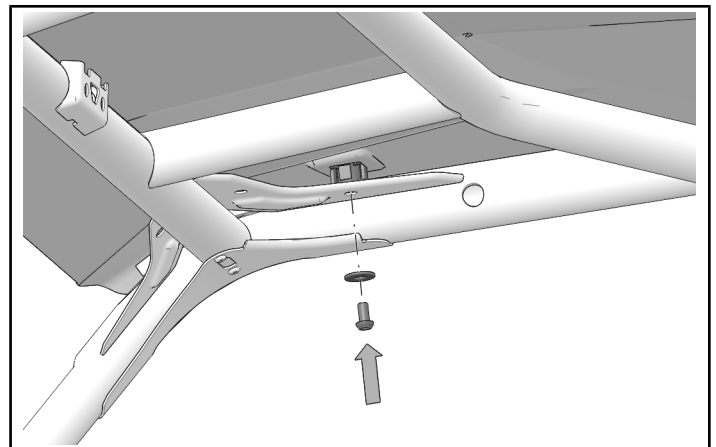


### INSTALL ALUMINUM ROOF HARDWARE

1. Install aluminum roof hardware. Torque to specification.

**TORQUE**

Aluminum Roof Fasteners:  
**14.75 ft-lbs (20 N·m)**

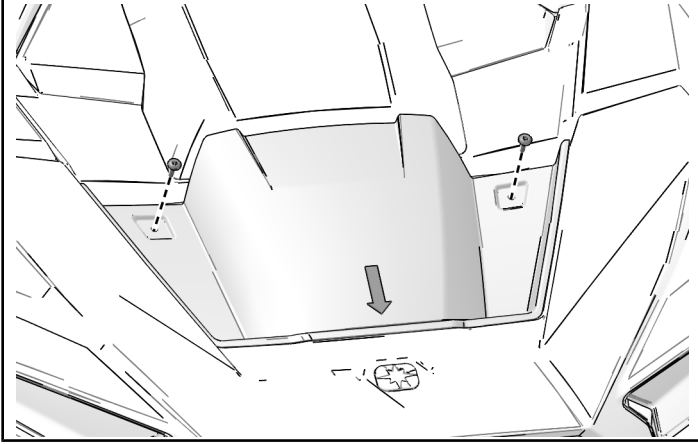


## **CENTER HOOD INSTALLATION**

1. Install center hood from the rear of the vehicle.  
Install screws.

### **TORQUE**

Screws:  
**88 in-lbs (10 N·m)**



## **INSTRUCTION FEEDBACK FORM**

A feedback form has been created for the installer to provide any comments, questions or concerns about the installation instructions. The form is viewable on mobile devices by scanning the QR code or by clicking [HERE](#) if viewing on a PC.

