

SENTRY MOUNTAIN REAR BUMPER KIT



P/N 2889351-XXX; 2889352-XXX; 2889353-XXX

BEFORE YOU BEGIN

Read these instructions and check to be sure all parts and tools are accounted for. Please retain these installation instructions for future reference and parts ordering information.

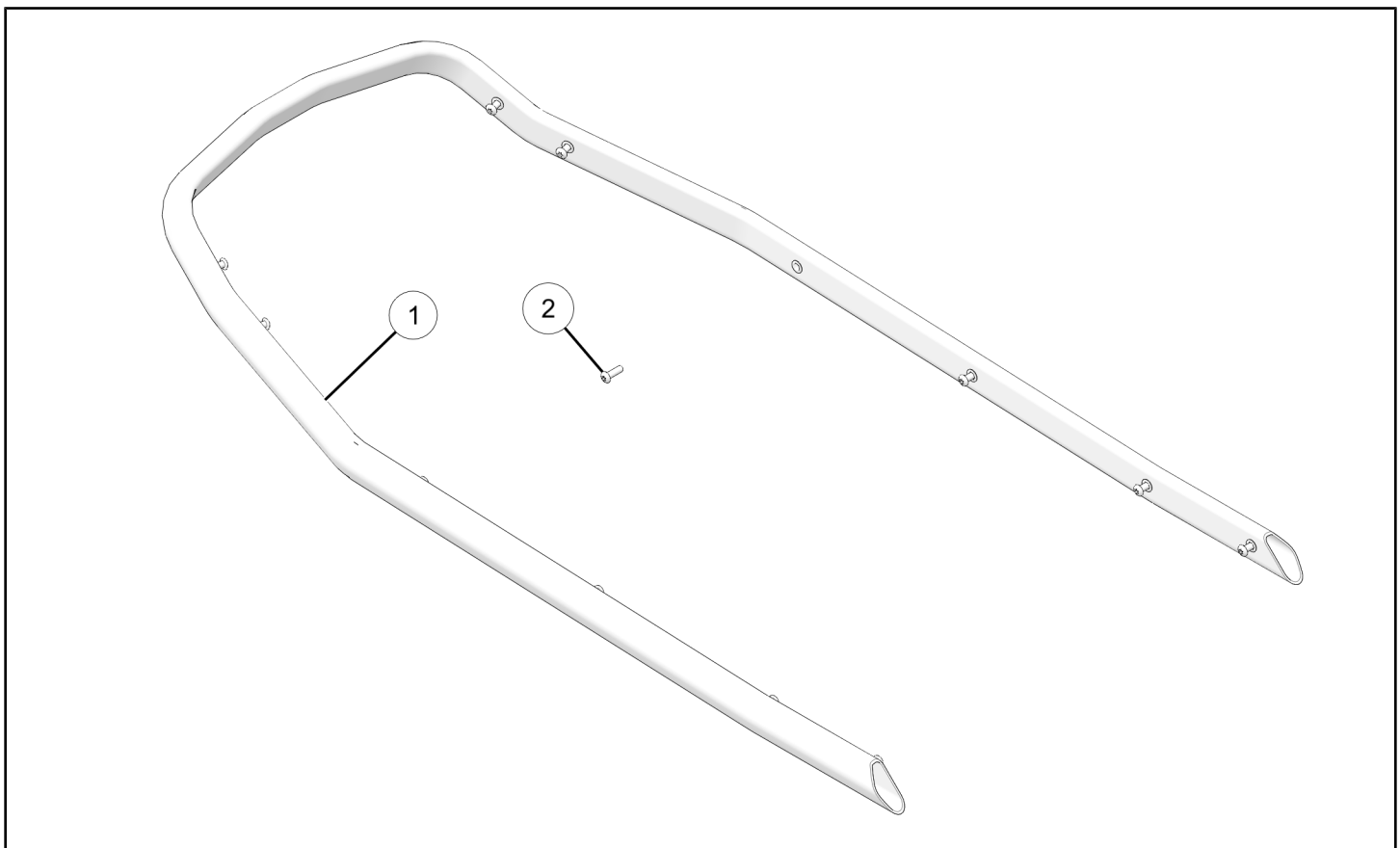
APPLICATION

Verify accessory fitment at www.polaris.com.

KIT CONTENTS

NOTICE

XXX = Polaris® color code (For example: 266 = Black)



| REF | QTY | PART DESCRIPTION | P/N AVAILABLE SEPARATELY |
|-----|----------|---|---|
| 1 | 1 | Rear Bumper 146 (not shown) Rear Bumper 155 (not shown) Rear Bumper 165/155 | 1026002-XXX 1025875-XXX 1025904-XXX |
| 2 | 10 12 | Screw (M5 x 0.8 x 16 mm) (Kit P/N 2889351-XXX; 2889352-XXX) Screw (M5 x 0.8 x 16 mm) (Kit P/N 2889353-XXX) | 7527906 |

TOOLS REQUIRED

- Safety Glasses
- Socket Set, Torx® Bit
- Torque Wrench

IMPORTANT

Your Sentry Mountain Rear Bumper Kit is exclusively designed for your vehicle. Please read the installation instructions thoroughly before beginning. Installation is easier if the vehicle is clean and free of debris. For your safety, and to ensure a satisfactory installation, perform all installation steps correctly in the sequence shown.

INSTALLATION INSTRUCTIONS

VEHICLE PREPARATION

GENERAL

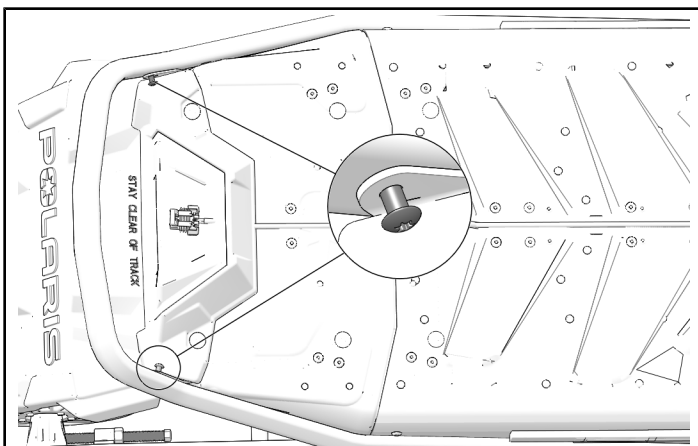
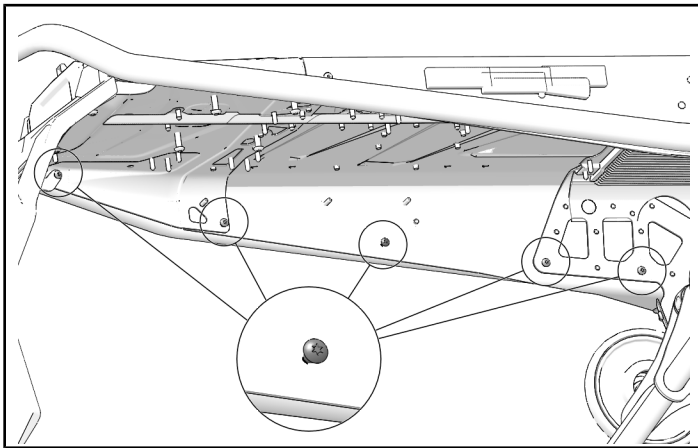
1. Park vehicle on a flat surface.
2. Push engine stop switch to OFF position.
3. Turn key to OFF position and remove key.

ACCESSORY INSTALLATION

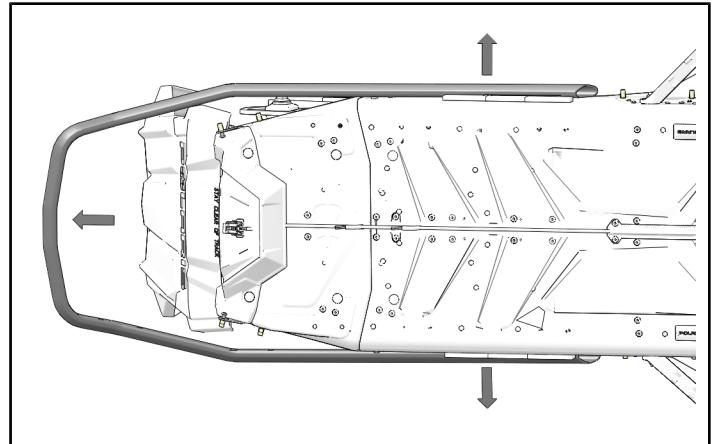
1. Remove rear bumper screws.

NOTICE

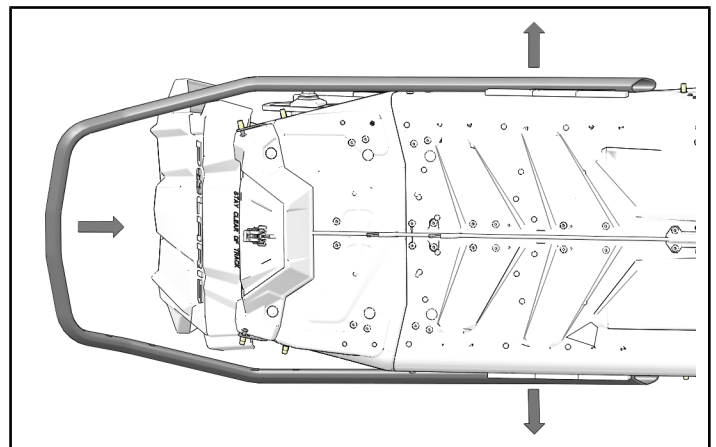
There will be 10 or 12 screws depending on track and tunnel length of the snowmobile.



2. Pull out slightly on sides of bumper and remove from the machine.



3. Install the new bumper. Pull out on the sides of the bumper slightly to help installation.



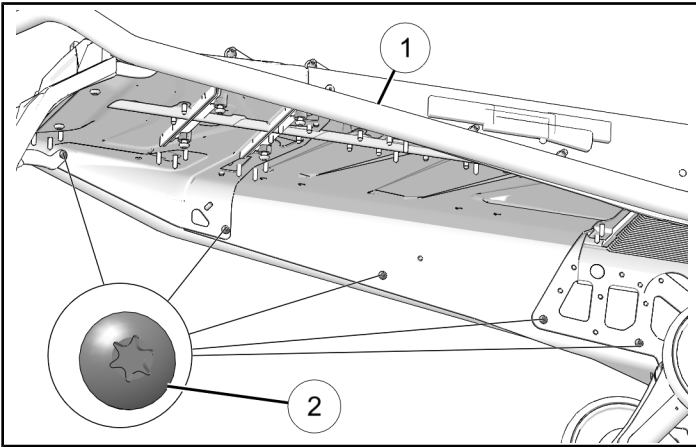
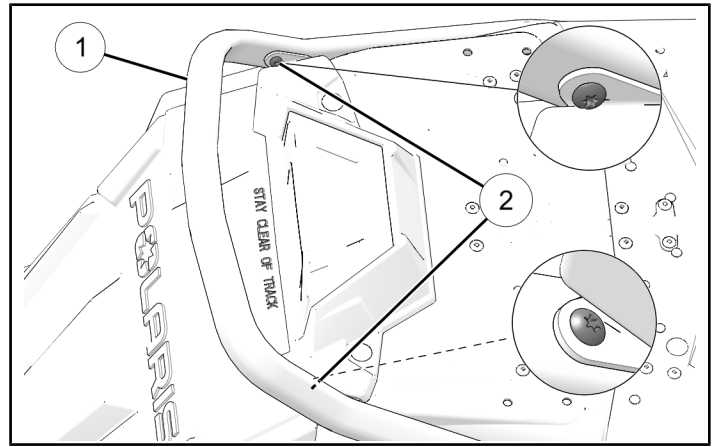
4. Install rear bumper screws ② in rear bumper ① and torque to specification.

NOTICE

There will be 10 or 12 screws depending on track and tunnel length of the snowmobile.

TORQUE

Bumper Screws ②:
53 in-lbs (6 N·m)



INSTRUCTION FEEDBACK FORM

A feedback form has been created for the installer to provide any comments, questions or concerns about the installation instructions. The form is viewable on mobile devices by scanning the QR code or by clicking [HERE](#) if viewing on a PC.

