

RIDE COMMAND® MOUNT KIT



P/N 2889310

BEFORE YOU BEGIN

Read these instructions and check to be sure all parts and tools are accounted for. Please retain these installation instructions for future reference and parts ordering information.

APPLICATION

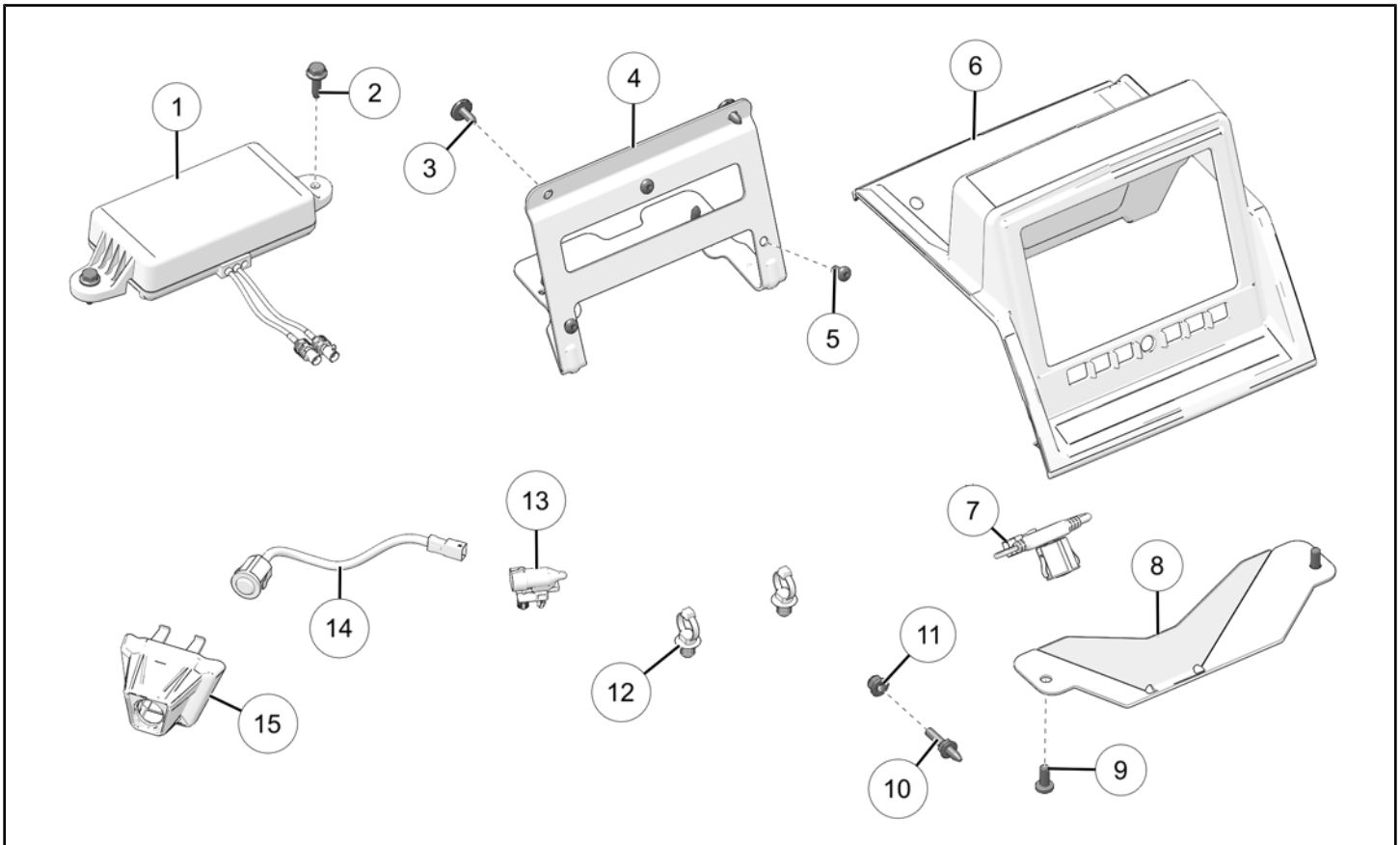
Verify accessory fitment at www.polaris.com.

REQUIRED SOLD SEPARATELY

Only parts for installation of the Ride Command® Mount Kit are included. For complete installation, the following additional kit is required (sold separately):

- Ride Command® Display, P/N 2884072
- Ride Command® Audio Kit, P/N 2883956

KIT CONTENTS



REF	QTY	PART DESCRIPTION	P/N AVAILABLE SEPARATELY
1	1	Antenna–GPS, Vehicle-To-Vehicle	4019300
2	2	Screw–Hex Head Flange, M6 x 1.0 x 20 mm	7518529
3	4	Screw–Torx® Truss Head, M6 x 1.0 x 16 mm	7518936

REF	QTY	PART DESCRIPTION	P/N AVAILABLE SEPARATELY
4	1	Bracket–Ride Command® Display	5454382
5	3	Screw–Torx® Button Head, M6 x 1.0 x 12 mm	7518330
6	1	Bezel–Ride Command® Display	5268173
7	1	Camera–Rear, Infrared	4019856
8	1	Bracket–Rear Camera Mount	5265002
9	2	Screw–Torx® Pan Head, Hi/Lo, #14 x 5/8 in	7520803
10	1	Stud–Ground, M6 x 1.0 x 19 mm	7519333
11	1	Nut–Flange, M6	7547274
12	2	Clip–Push-Dart, Cable Tie	7080492
13	1	Sensor–Ambient Air Temperature	4018205
14	1	Camera–Front	4016639
15	1	Mount–Front Camera	5454705
16	1	Harness–USB (not shown; see <i>Harness Detail</i> section)	2415498
17	2	Harness–Audio Adapter (not shown; see <i>Harness Detail</i> section)	2413753
18	1	Harness–Winch Jumper (not shown; see <i>Harness Detail</i> section)	2415490
19	1	Harness–Ride Command® Audio (not shown; see <i>Harness Detail</i> section)	2416060
20	1	Antenna–AM/FM (not shown; see <i>Harness Detail</i> section)	4080105
21	10	Cable Tie (not shown)	7080492

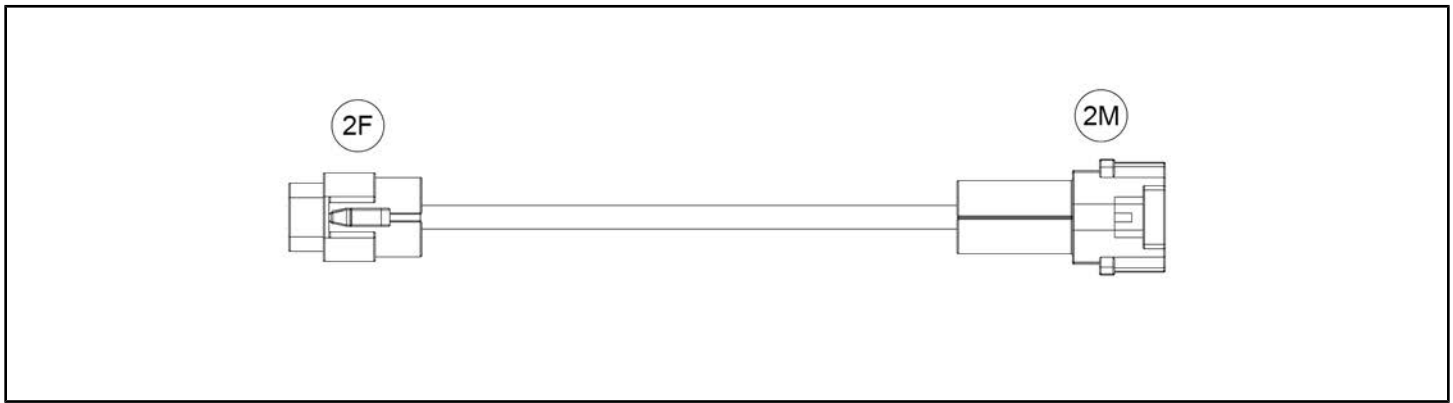
HARNESS DETAIL

USB HARNESS



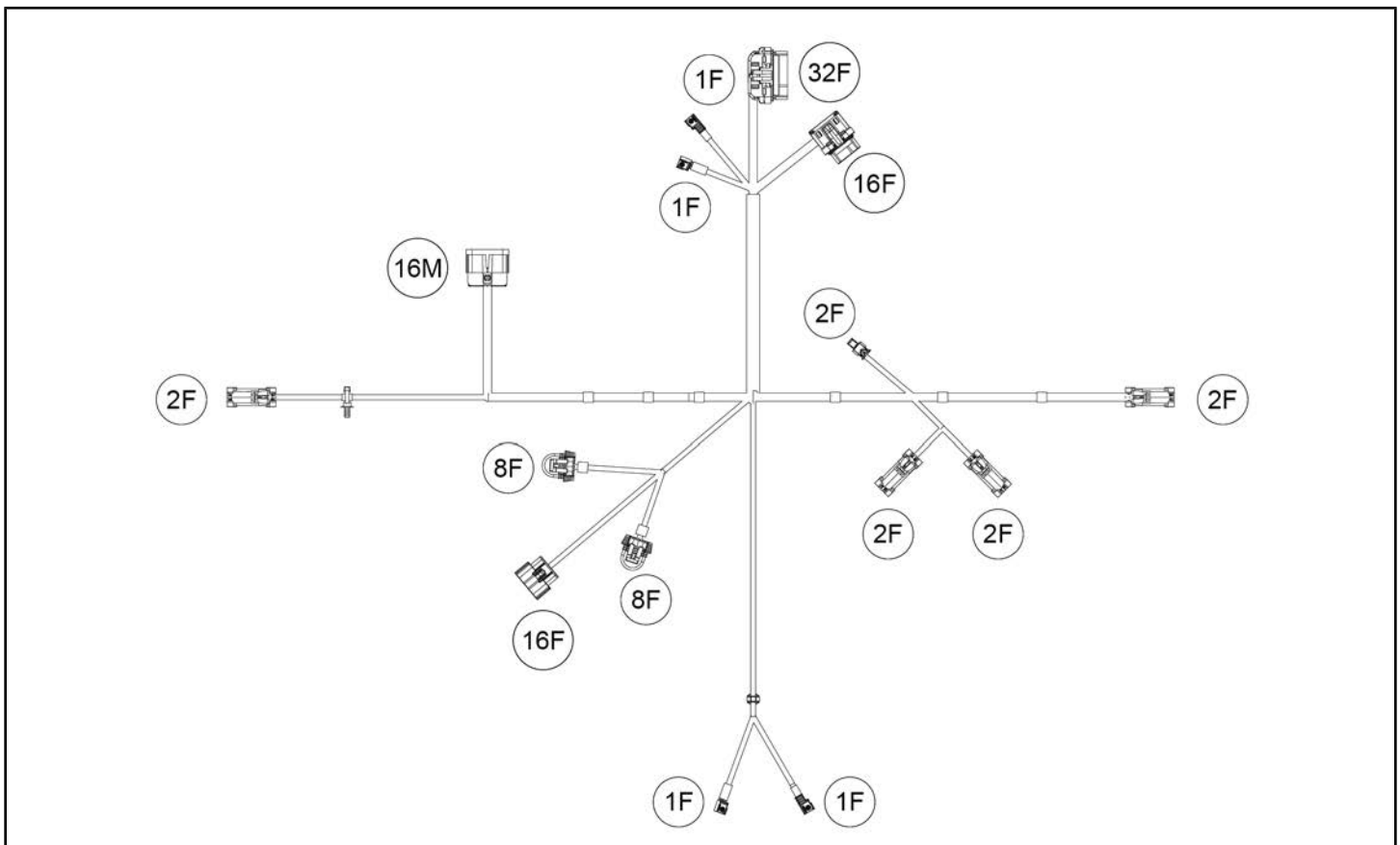
REF	PART DESCRIPTION	CONNECTS TO
6F	Connector–USB	Ride Command® Display
Example: 16F = 16 pin, Female / 16M = 16 pin, Male (Male terminal fits inside female terminal)		

WINCH JUMPER HARNESS



REF	PART DESCRIPTION	CONNECTS TO
2F	Connector–Chassis Harness	Chassis Harness/ Ride Command® Audio Harness
2M	Connector–Auto Stop	Winch Auto Stop
Example: 16F = 16 pin, Female / 16M = 16 pin, Male (Male terminal fits inside female terminal)		

RIDE COMMAND® AUDIO HARNESS

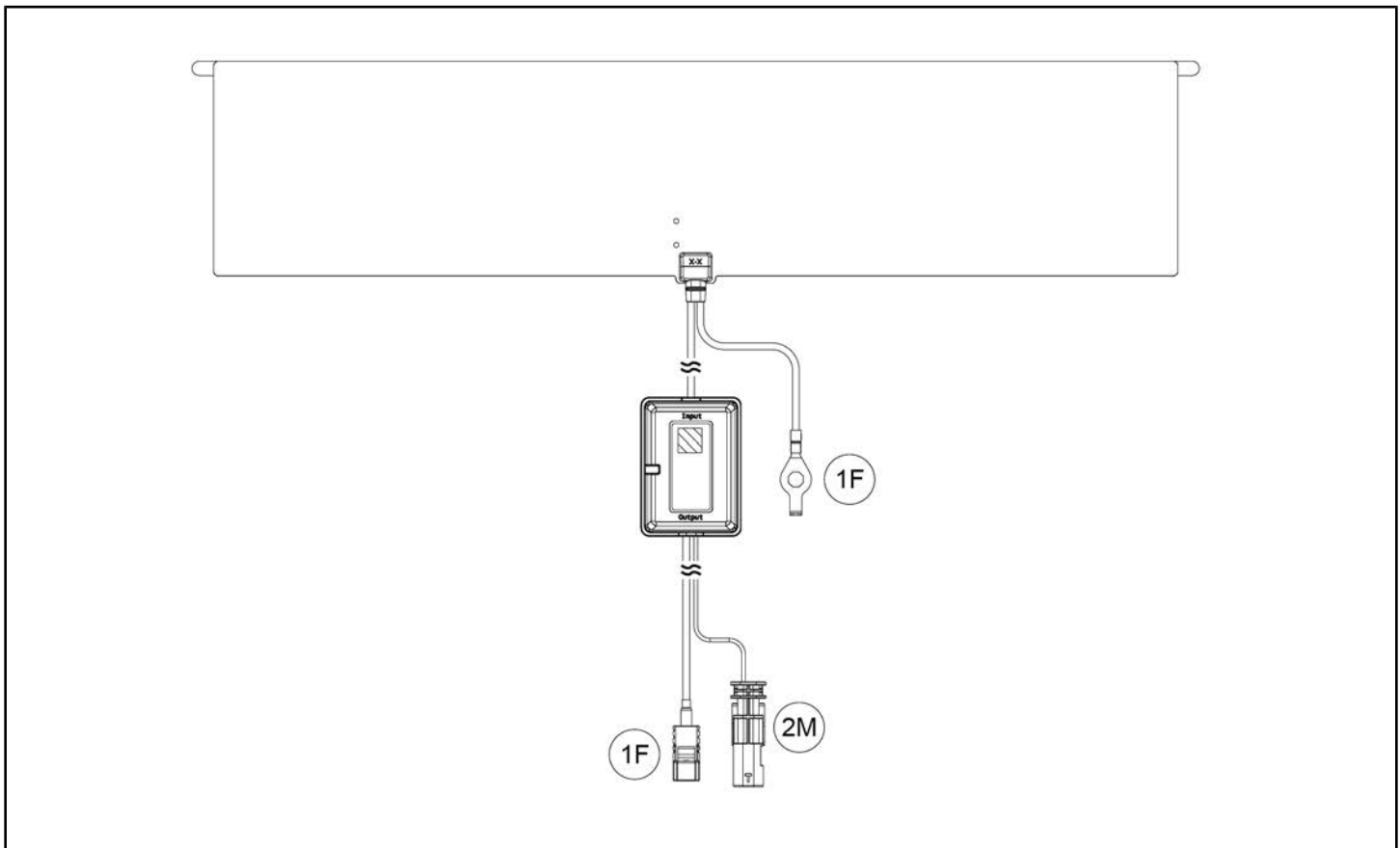


REF	PART DESCRIPTION	CONNECTS TO
2F	Connector–Speaker, Right	Right Speaker
16M	Connector–Chassis Harness	Chassis Electrical Harness
8F	Connector–Amplifier, 2	Amplifier

REF	PART DESCRIPTION	CONNECTS TO
16F	Connector–Amplifier	Amplifier
8F	Connector–Subwoofer	Subwoofer
1F	Connector–V2V Antenna	Ride Command® Display
1F	Connector–GPS Antenna	Ride Command® Display
32F	Connector–Display	Ride Command® Display
16F	Connector–Display	Ride Command® Display
1F	Connector–V2V Antenna	V2V Antenna
1F	Connector–GPS Antenna	GPS Antenna
2F	Connector–AM/FM Antenna	AM/FM Antenna
2F	Connector–Speaker, Right	
2F	Connector–Speaker, Left	
2F	Connector–Speaker, Left	Left Speaker

Example: 16F = 16 pin, Female / 16M = 16 pin, Male (Male terminal fits inside female terminal)

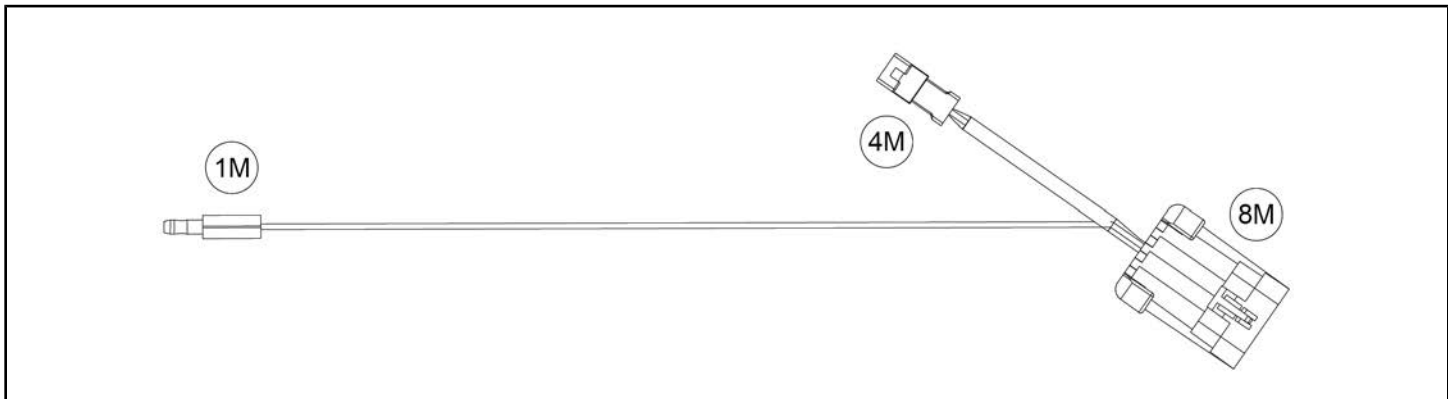
AM/FM ANTENNA HARNESS



REF	PART DESCRIPTION	CONNECTS TO
1F	Connector–Antenna	Ride Command® Display
2M	Connector–Power	Ride Command® Mount Harness

REF	PART DESCRIPTION	CONNECTS TO
1F	Terminal–Ring	Vehicle Chassis
Example: 16F = 16 pin, Female / 16M = 16 pin, Male (Male terminal fits inside female terminal)		

AUDIO ADAPTER HARNESS



REF	PART DESCRIPTION	CONNECTS TO
1M	Connector–Bullet	Accessory Audio Harness, Subwoofer or Amplifier (sold separately)
4M	Connector–Audio, Signal Out	
8M	Connector–Audio, Signal In	Ride Command® Mount Harness
Example: 16F = 16 pin, Female / 16M = 16 pin, Male (Male terminal fits inside female terminal)		

TOOLS REQUIRED

- Safety Glasses
- Cutting Tool
- Drill
- Drill Bit:
 - 7/8 in (22 mm)
- Pliers, Push Pin Rivet
- Socket Set, Metric
- Socket Set, Torx® Bit
- Torque Wrench

IMPORTANT

Your Ride Command® Mount Kit is exclusively designed for your vehicle. Please read the installation instructions thoroughly before beginning. Installation is easier if the vehicle is clean and free of debris. For your safety, and to ensure a satisfactory installation, perform all installation steps correctly in the sequence shown.

INSTALLATION INSTRUCTIONS

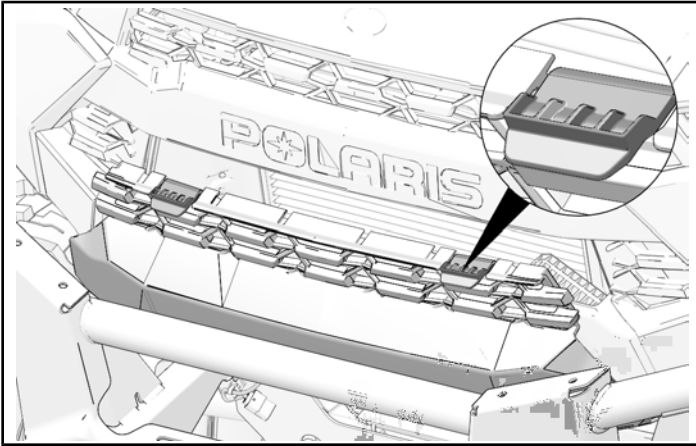
VEHICLE PREPARATION

GENERAL

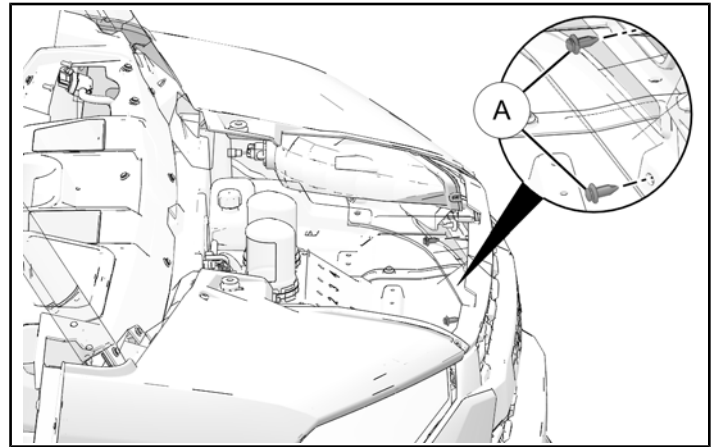
1. Park vehicle on a flat surface.
2. Shift vehicle into PARK.
3. Turn key to OFF position and remove key.

GRILLE REMOVAL

1. Push two tabs down to remove grille.

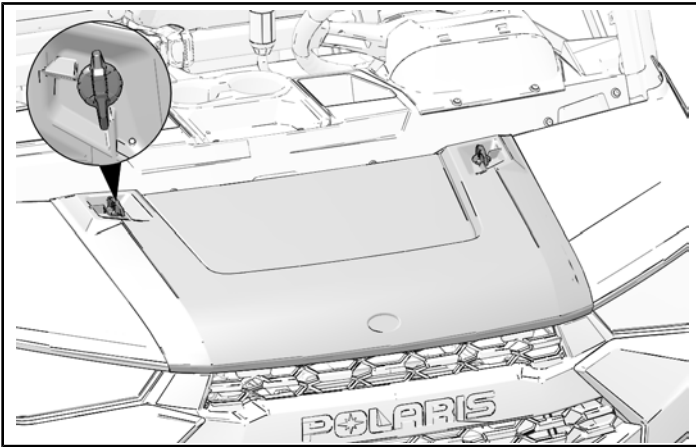


2. Remove and keep one push pin rivet (A) from behind front fascia.

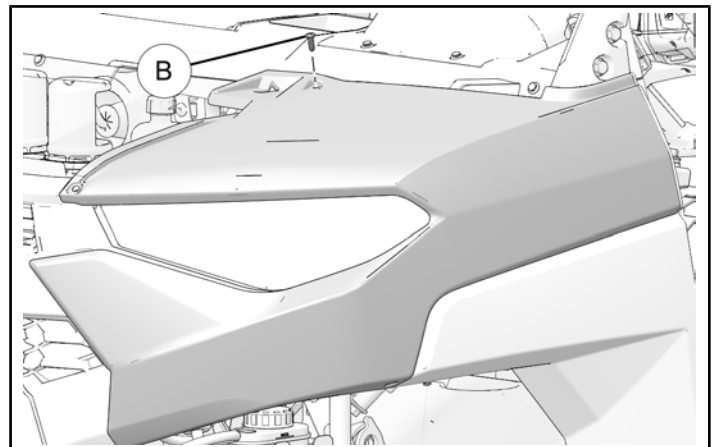


HOOD REMOVAL

1. Turn two quarter-turn fasteners to unlock position to remove hood from vehicle.



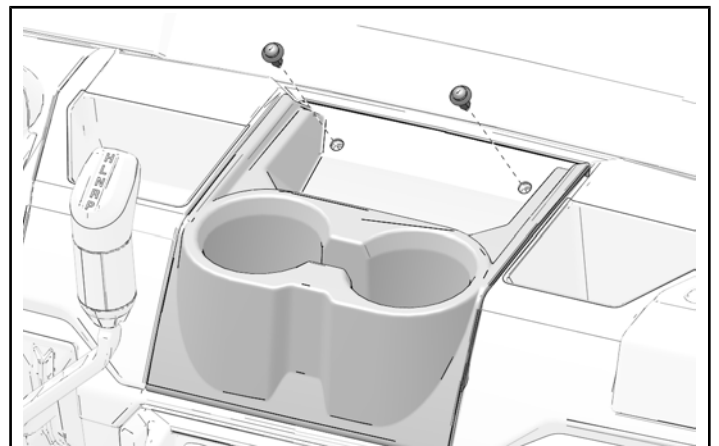
3. Remove and keep one screw (B) from fender.



4. Set fender aside.

CUP HOLDER REMOVAL

1. Remove two push-pin rivets from cup holder.

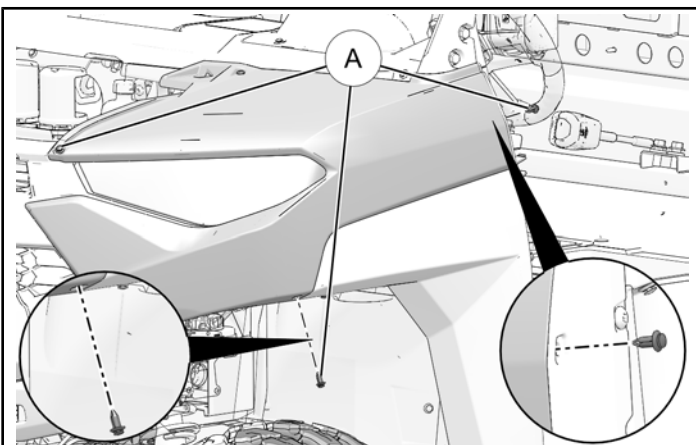


FENDER REMOVAL

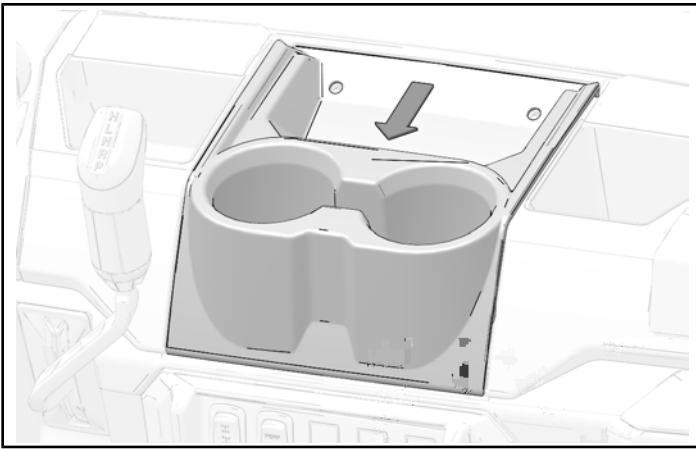
1. Remove and keep four push pin rivets (A) from fender.

TIP

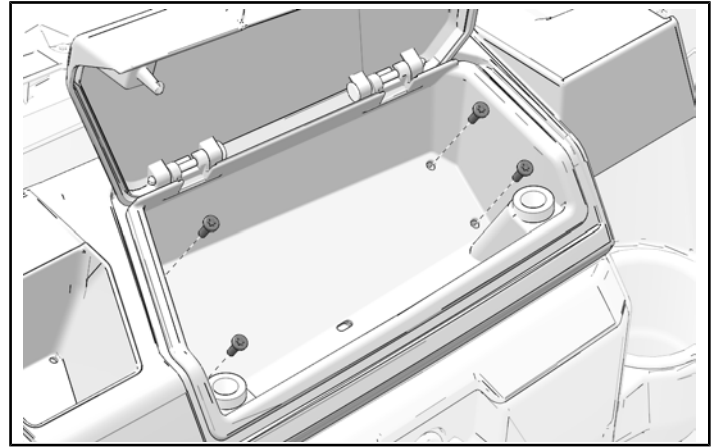
Two push pin rivets are located on the underside of fender.



2. Remove cup holder from dashboard.

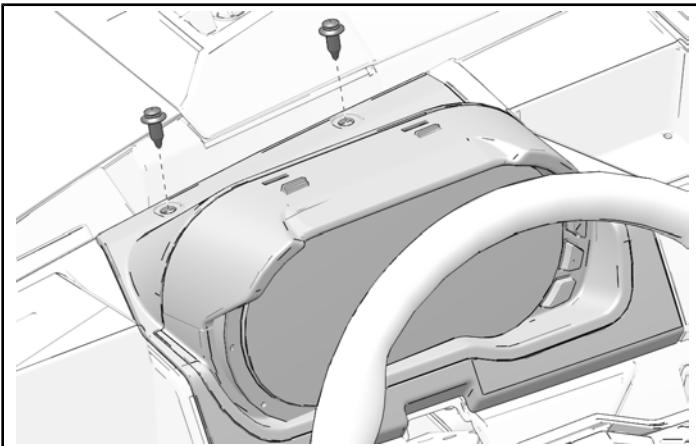


2. Remove four screws from inside storage compartment.

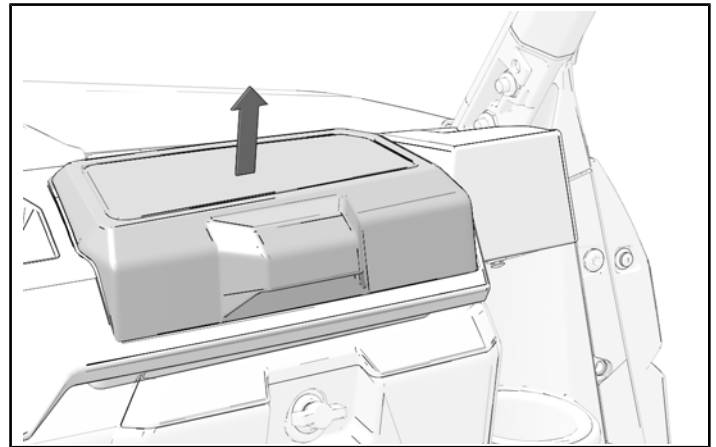


INSTRUMENT CLUSTER REMOVAL

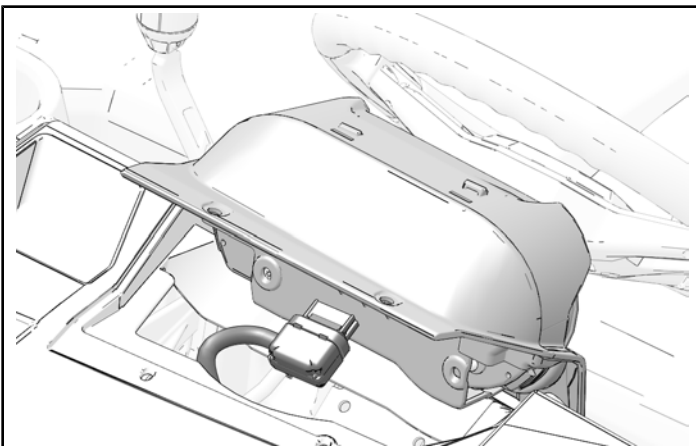
1. Remove two push-pin rivets from instrument cluster bezel.



3. Remove dashboard storage compartment from dashboard.

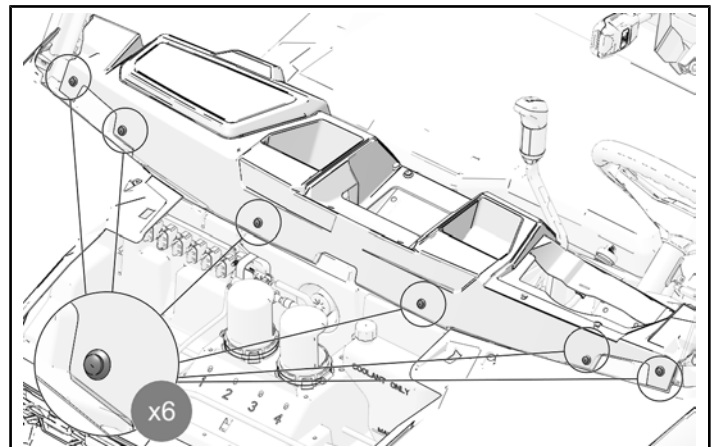


2. Remove the instrument cluster by pulling straight out towards the steering wheel.



UPPER DASHBOARD REMOVAL

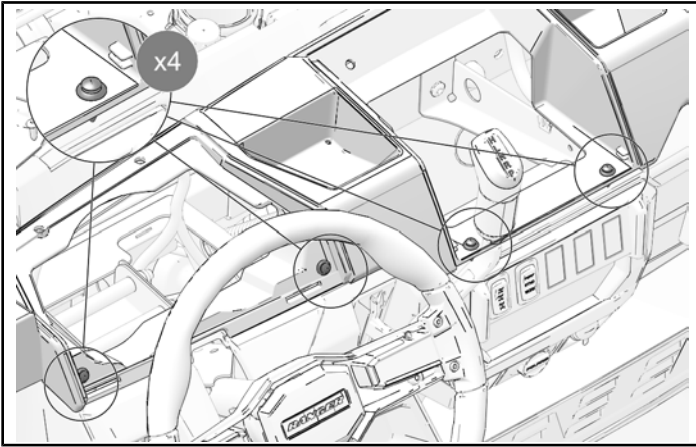
1. Remove and keep six push-pin rivets from front of upper dashboard.



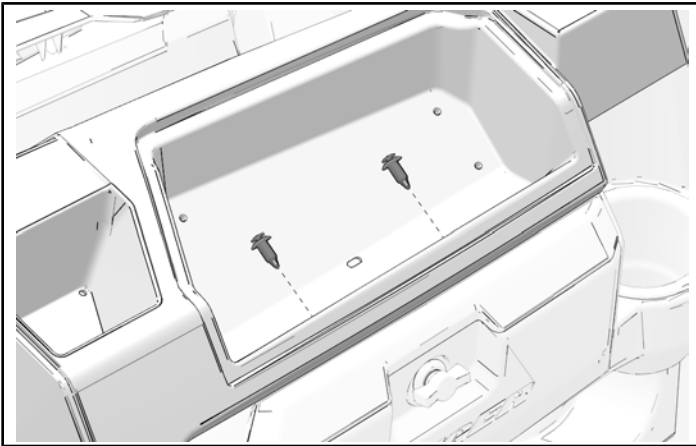
DASHBOARD STORAGE REMOVAL

1. Open dashboard storage compartment

- Remove and keep four push-pin rivets from driver's side of upper dashboard.



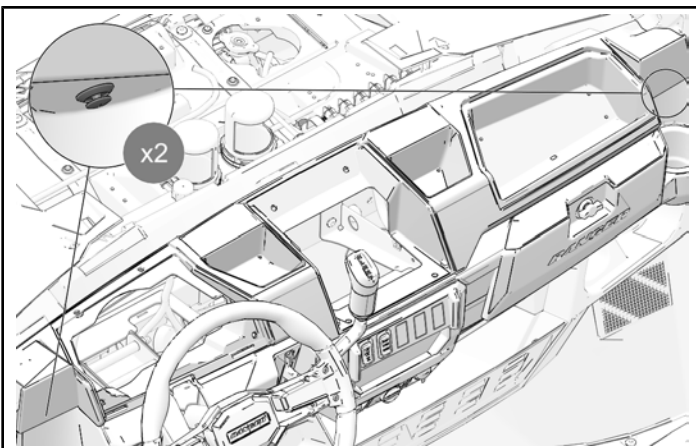
- Remove and keep two push-pin rivets from passenger's side of upper dashboard.



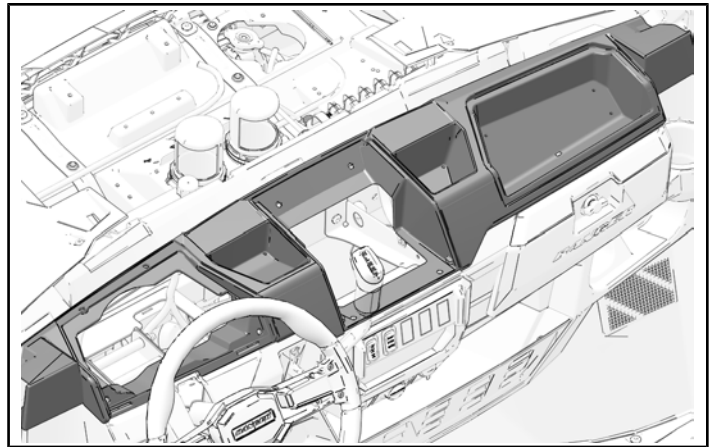
- Remove and keep two push-pin rivets from underside of upper dashboard.

TIP

Push-pin rivets are located above side cup holders.



- Remove upper dashboard from vehicle.



ACCESSORY INSTALLATION

SPEAKER INSTALLATION

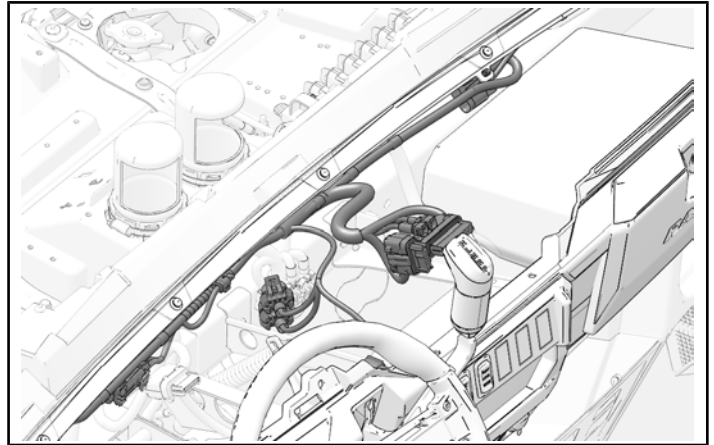
- Refer to instructions included with *Ride Command® Audio Kit*, P/N 2883956 to install speakers and amplifier before proceeding with Ride Command® Mount installation.

IMPORTANT

Do not install AM/FM antenna included with *Ride Command® Audio Kit*, P/N 2883956.

RIDE COMMAND® MOUNT HARNESS INSTALLATION

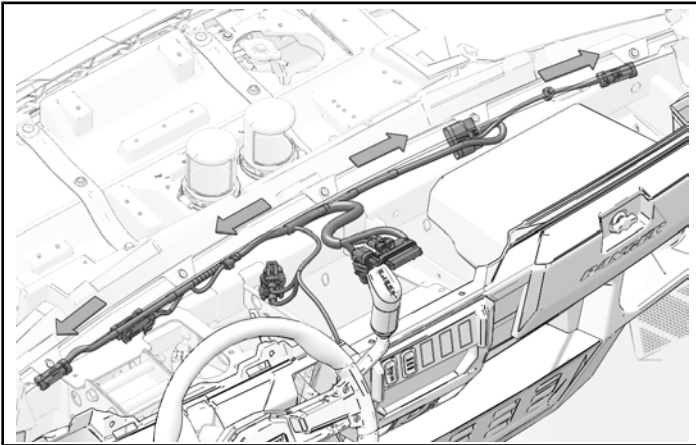
- Put Ride Command® mount harness in vehicle.



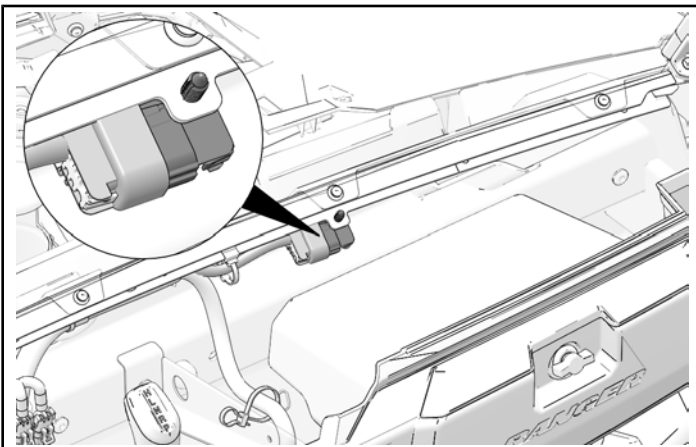
2. Route harness to the left and right of the vehicle, as shown.

TIP

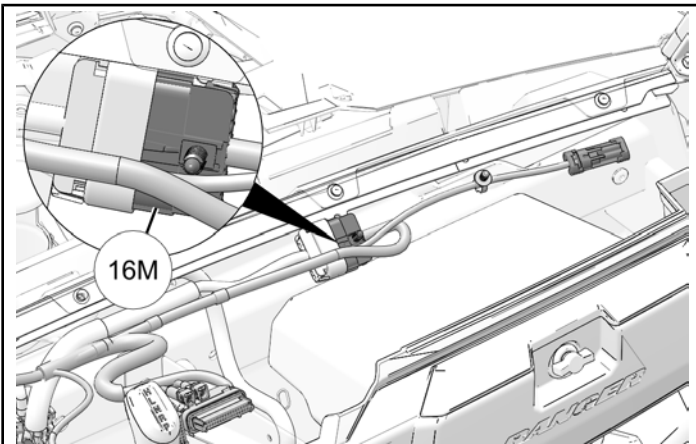
Route the end with two connectors towards the passenger side.



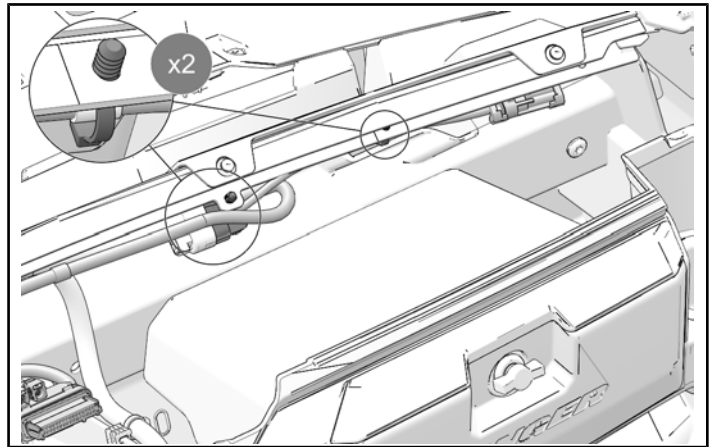
3. Remove and discard cap from chassis electrical harness.



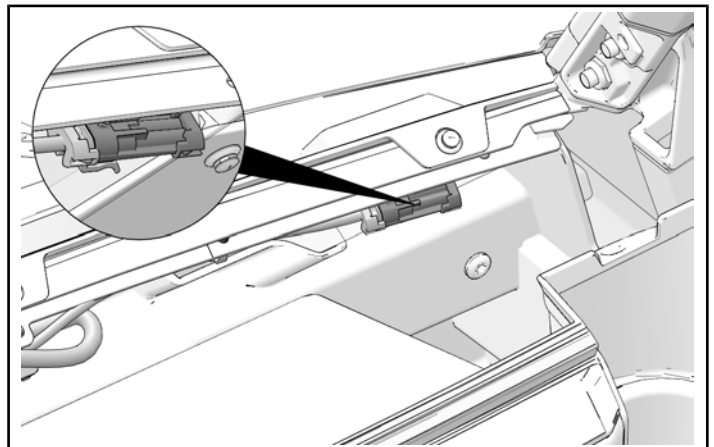
4. Install power connector **16M** to the chassis electrical harness.



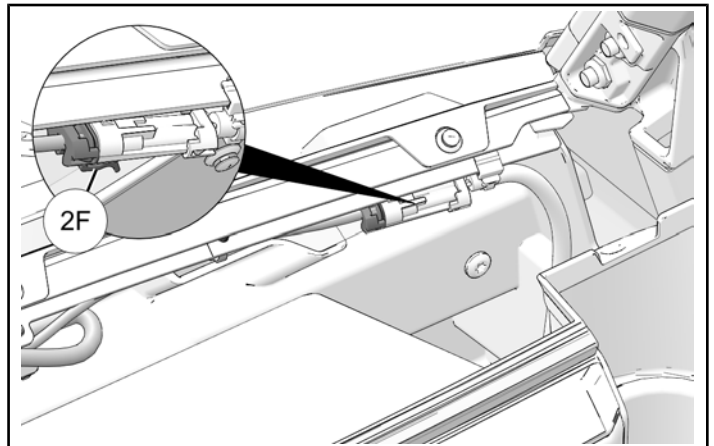
5. Install the harness to the vehicle with two push-darts.



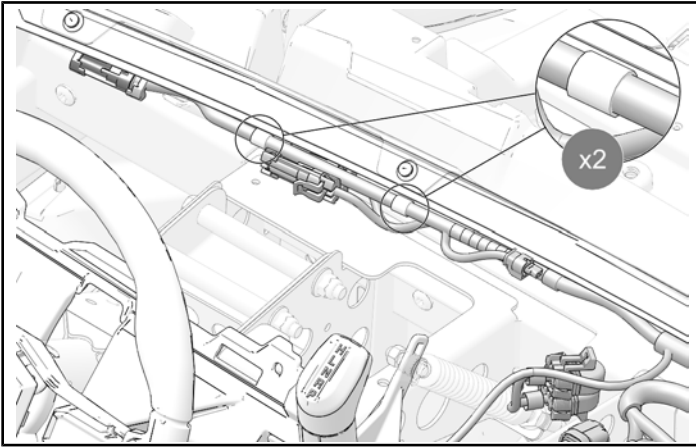
6. Remove cap from connector.



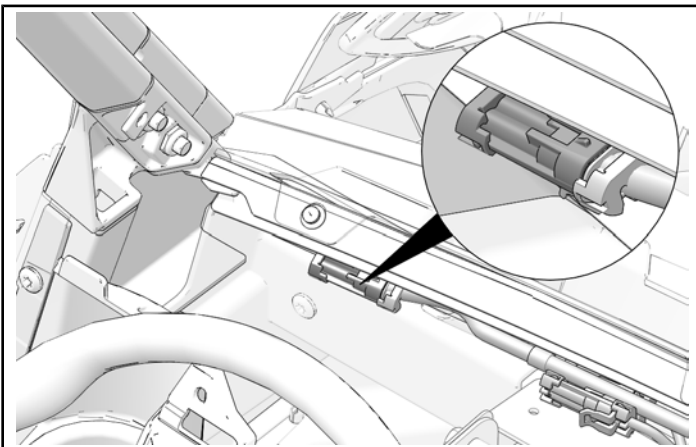
7. Connect speaker (if equipped) to Ride Command® mount harness connector **2F**.



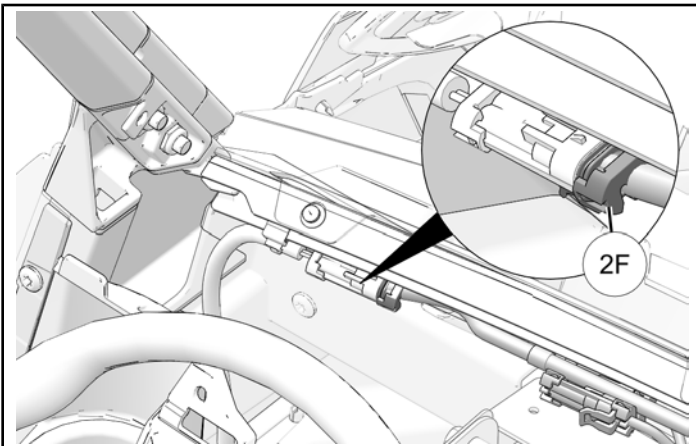
8. Install the harness to the chassis electrical harness with two cable ties at taped locations.



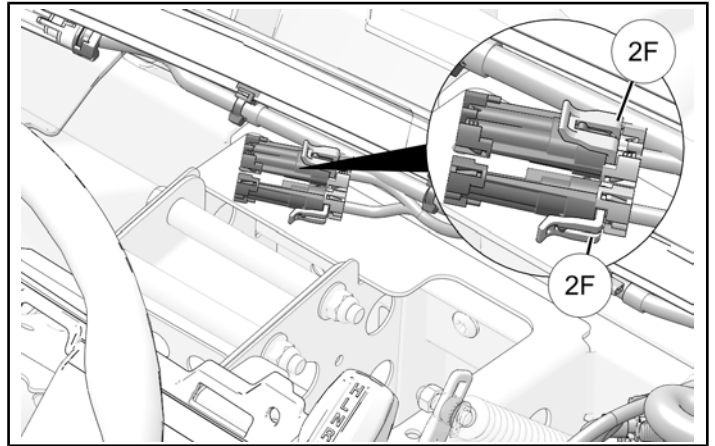
9. Remove cap from connector.



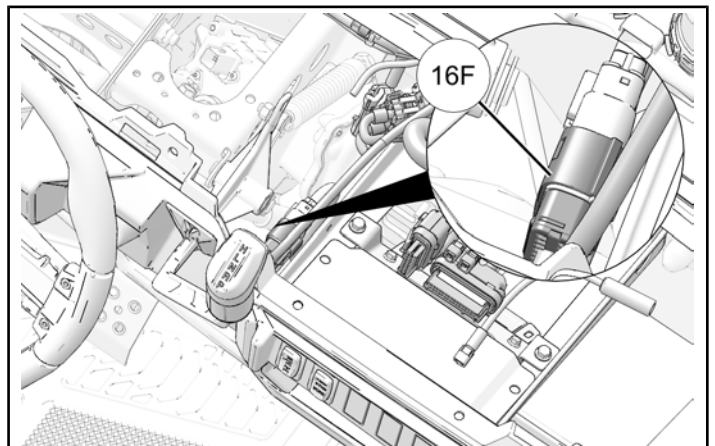
10. Connect speaker (if equipped) to Ride Command® mount harness connector **2F**.



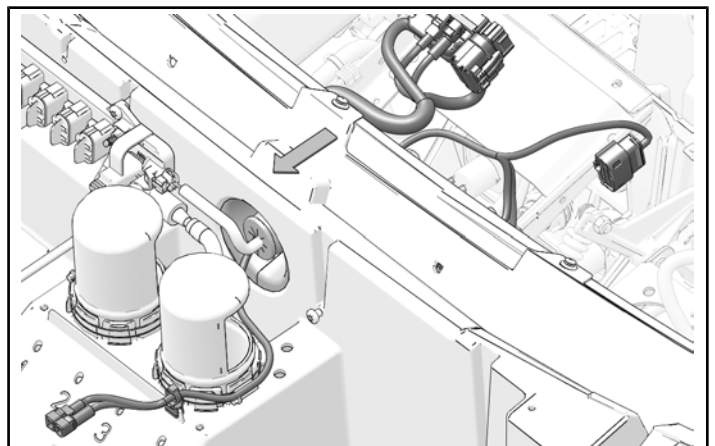
11. Optional: Remove caps and install connectors **2F** and **2F** to accessory door audio harness, roof audio harnesses, splitter harness, etc. (sold separately).



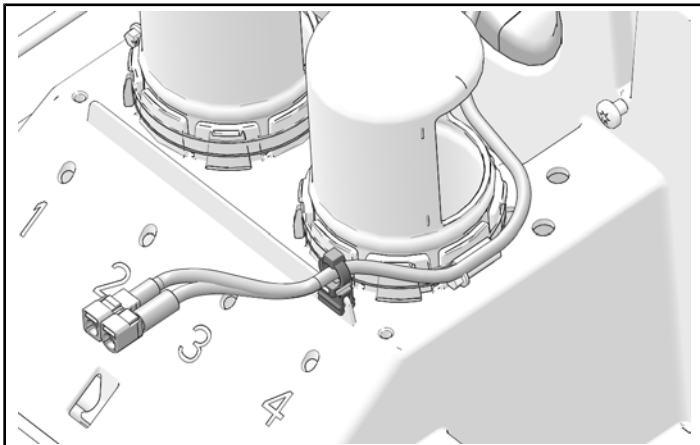
12. Install connector **16F** to amplifier (if equipped).



13. Put V2V GPS connectors through firewall.



- Route two V2V connectors in front of intake ducts and install to vehicle with one edge clip.

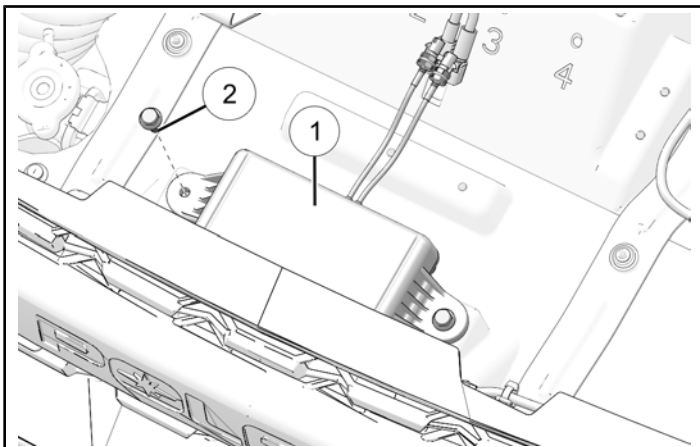


VEHICLE-TO-VEHICLE GPS ANTENNA INSTALLATION

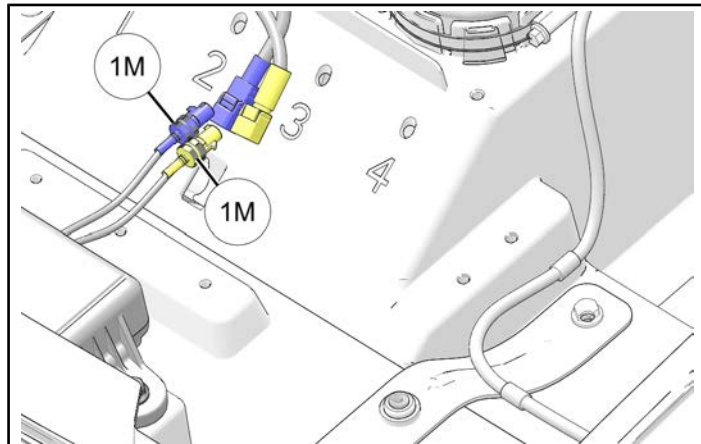
- Install V2V GPS antenna ① to vehicle with two screws ②. Torque two screws to specification.

TORQUE

V2V GPS Antenna Screws ①:
97 in-lbs (11 N·m)



- Connect blue connector 1F and gold connector 1F from Ride Command® audio harness to corresponding connectors on antenna.



AM/FM ANTENNA INSTALLATION: MODEL YEAR 2022 AND NEWER

- Clean underside of driver side outer hood with a soft cloth and isopropyl alcohol.

⚠ CAUTION

Isopropyl alcohol is hazardous to your health. See isopropyl alcohol packaging for proper handling instructions, including recommended personal protective equipment such as goggles and chemical resistant gloves.

- Remove adhesive backing from antenna.

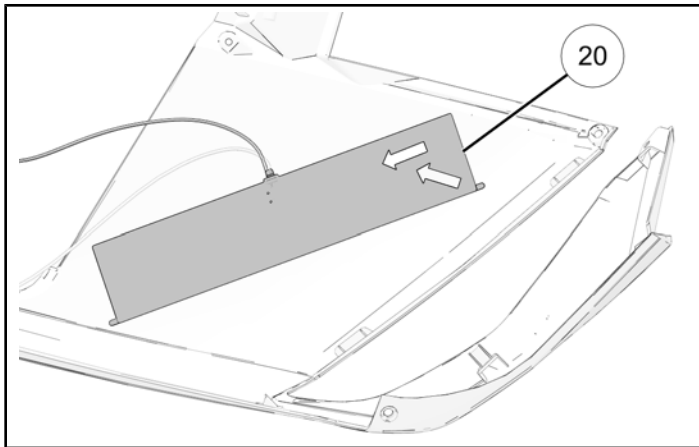
3. Attach AM/FM antenna 25 to underside of driver side outer hood. Starting from one corner of the antenna, carefully press the antenna, working outward, onto the underside of the outer hood, as shown.

IMPORTANT

DO NOT attach the entire antenna onto the outer hood as a single unit. To prevent air bubbles and poor adhesion, slowly press the antenna onto the underside of the outer hood.

TIP

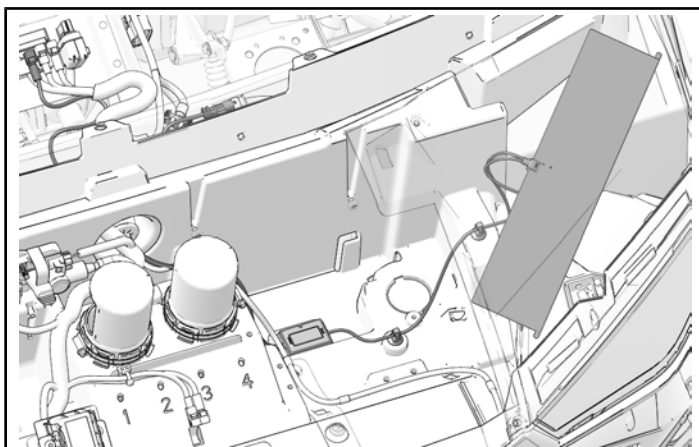
Use fingers or heel of hand to put pressure on antenna.



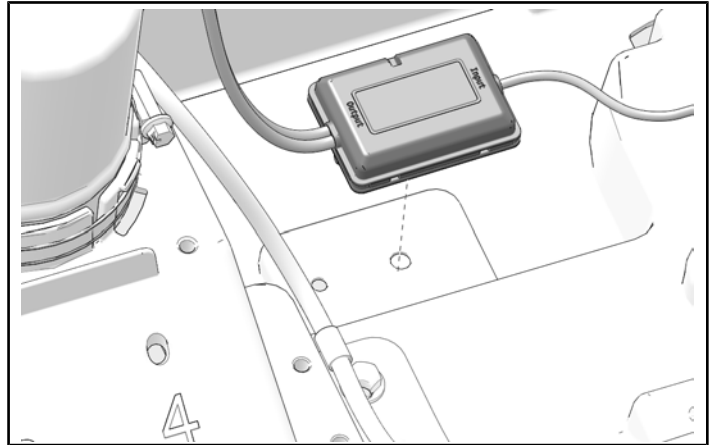
4. Set outer hood with antenna attached onto vehicle.
5. Put antenna receiver box into vehicle, next to intake vent.

NOTICE

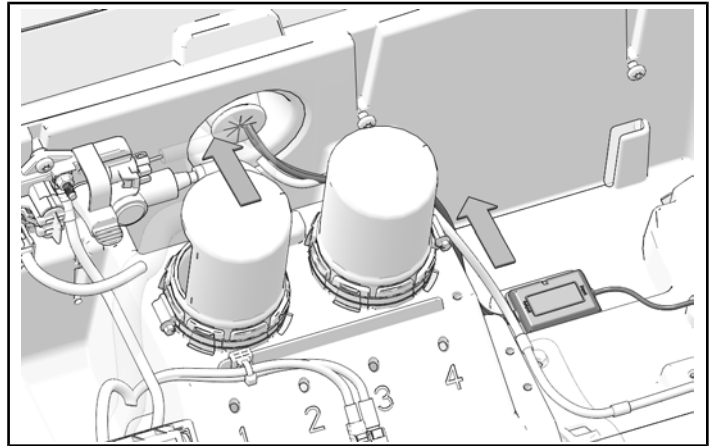
Outer hood hidden for clarity.



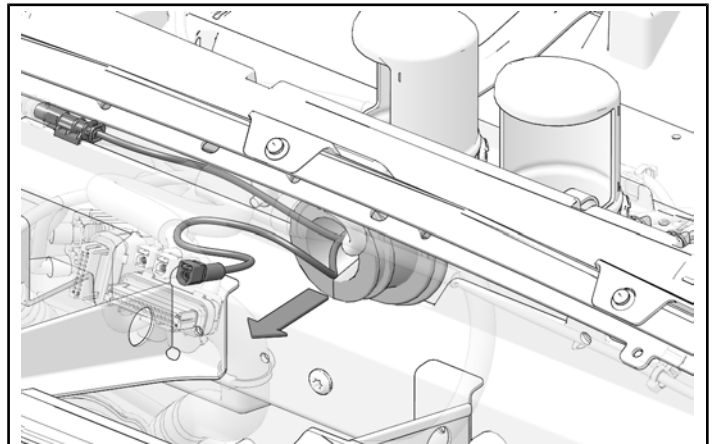
6. Install antenna receiver box into install hole on front floor panel.



7. Install harness through grommet on upper front floor panel.



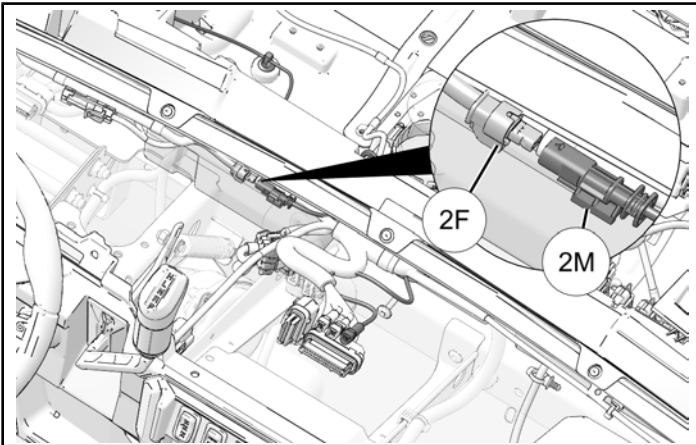
8. Pull connectors through grommet.



9. Install connector **2M** on antenna harness to connector **2F** on Ride Command® audio harness.

NOTICE

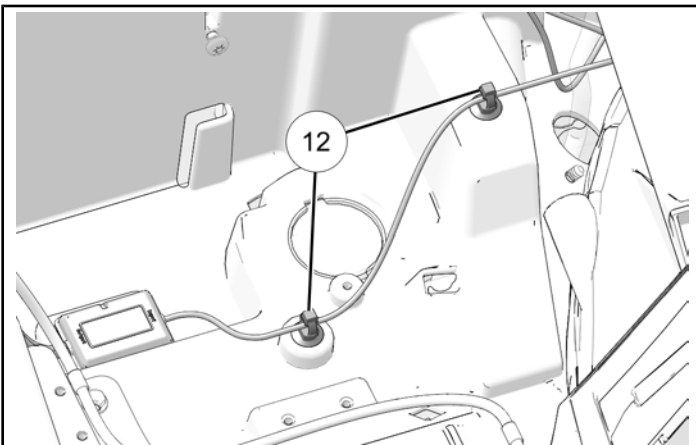
Remaining connector will be installed to Ride Command® display later.



10. Install antenna harness to vehicle with two attached push darts **12**, as shown.

NOTICE

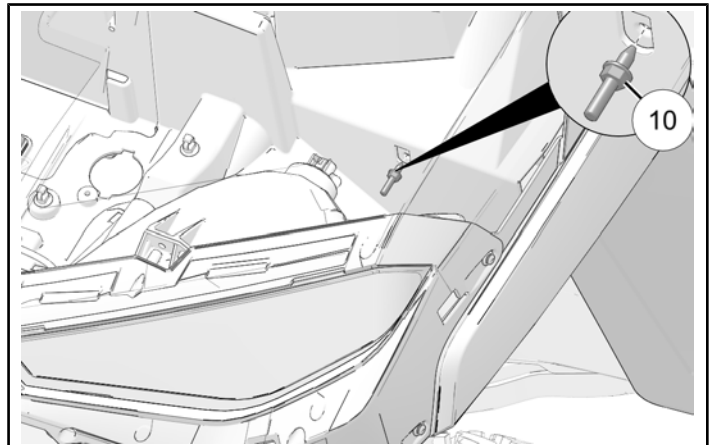
Outer hood hidden for clarity.



11. Locate hole in front floor panel and install stud **10** to vehicle chassis. Torque to specification.

TORQUE

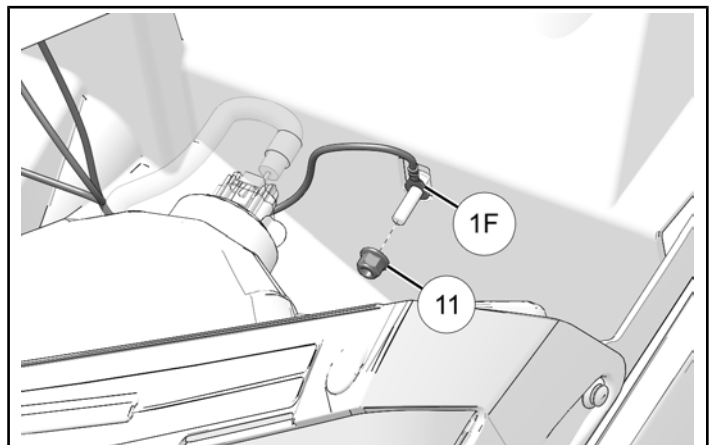
Ground Stud **10**:
88 in-lbs (10 N·m)



12. Install ring terminal **1F** over stud and install with one nut **11**. Torque to specification.

TORQUE

Ground Stud Nut **11**:
88 in-lbs (10 N·m)



AM/FM ANTENNA INSTALLATION: MODEL YEAR 2021 AND OLDER

1. Mark two holes, **1-7/64 in (28 mm)** apart (center to center), on hood liner for AM/FM module.

MEASUREMENT

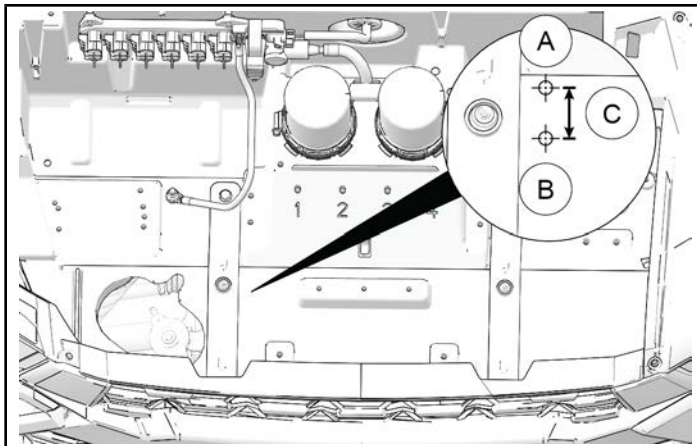
Measurement **(A)**:
13/64 in (5 mm)

MEASUREMENT

Measurement **(B)**:
1/4 in (6.5 mm)

MEASUREMENT

Measurement **(C)**:
1-7/64 in (28 mm)



2. Carefully drill each hole.

IMPORTANT

Important

Use extreme caution during drill process and control drill depth to prevent damage to any underlying components.

MEASUREMENT

Measurement **(A)**:
13/64 in (5 mm)

MEASUREMENT

Measurement **(B)**:
1/4 in (6.5 mm)

3. Clean underside of passenger side outer hood with a soft cloth and isopropyl alcohol.

CAUTION

Isopropyl alcohol is hazardous to your health. See isopropyl alcohol packaging for proper handling instructions, including recommended personal protective equipment such as goggles and chemical resistant gloves.

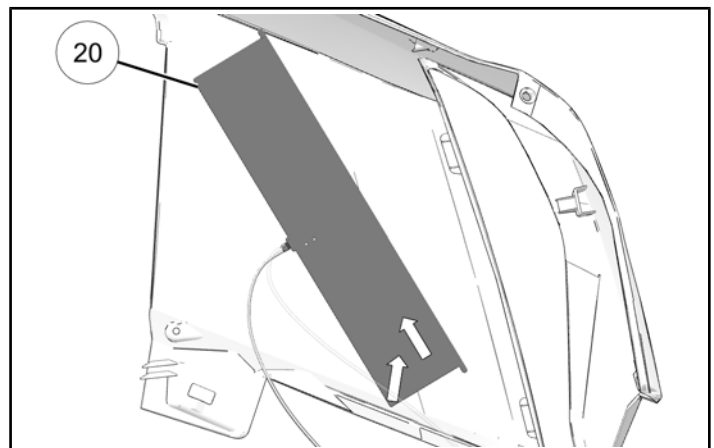
4. Remove adhesive backing from antenna.
5. Attach AM/FM antenna **(20)** to underside of passenger side outer hood. Starting from one corner of the antenna, carefully press the antenna, working outward, onto the underside of the outer hood, as shown.

IMPORTANT

DO NOT attach the entire antenna onto the outer hood as a single unit. To prevent air bubbles and poor adhesion, slowly press the antenna onto the underside of the outer hood.

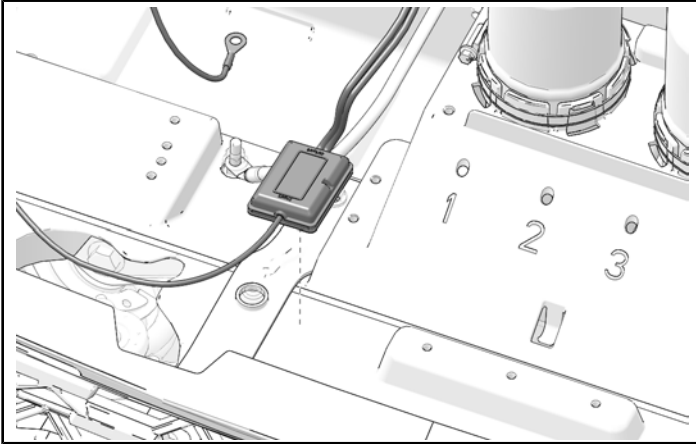
TIP

Use fingers or heel of hand to put pressure on antenna.

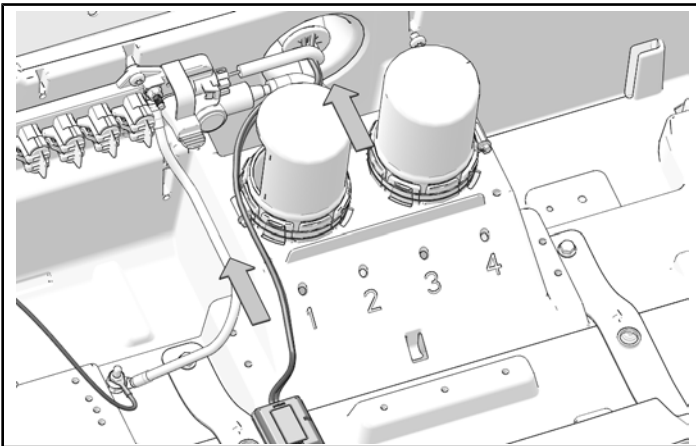


6. Set outer hood with antenna attached onto vehicle.

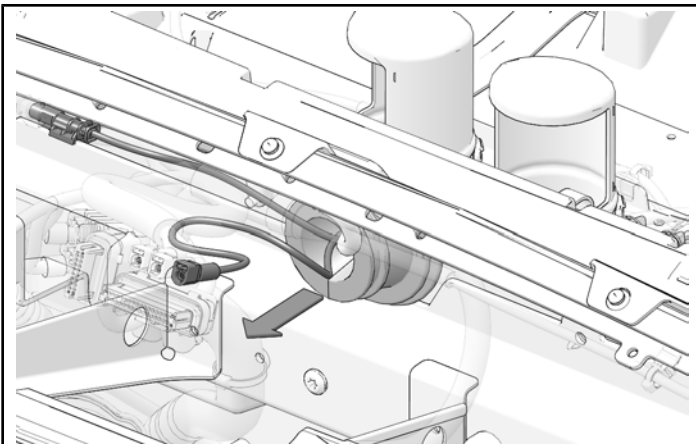
7. Put main module into vehicle, in front of intake vent. Press down until push-darts engage with vehicle plastic.



8. Route harness (end with two connectors) through firewall grommet.



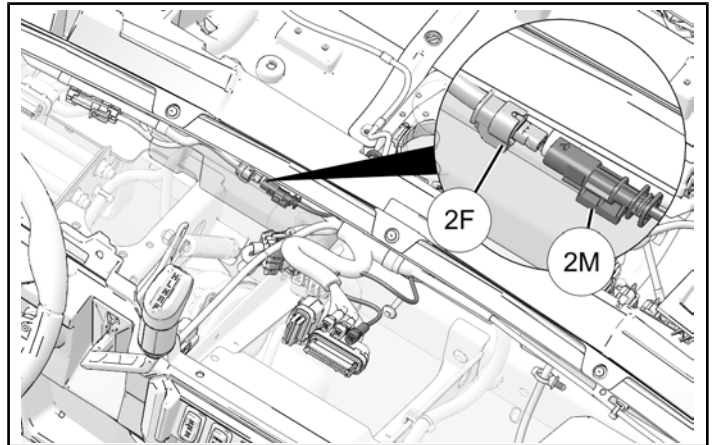
9. Pull connectors from firewall grommet.



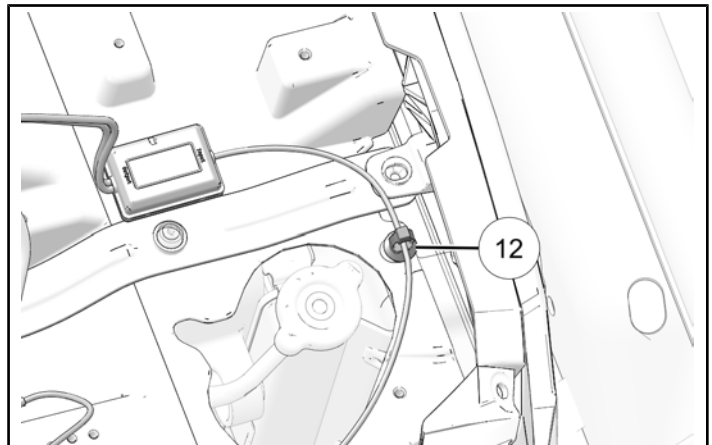
10. Install connector **2M** of antenna harness to connector **2F** of Ride Command® audio harness.

NOTICE

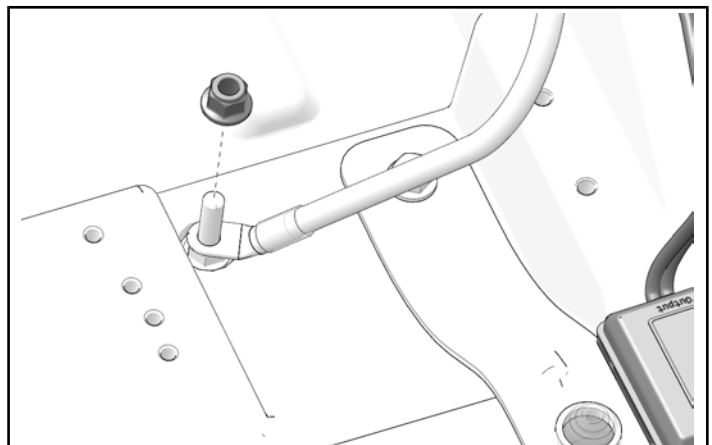
Remaining connector will be installed to Ride Command® display later.



11. Install antenna harness with two attached push darts, as shown.



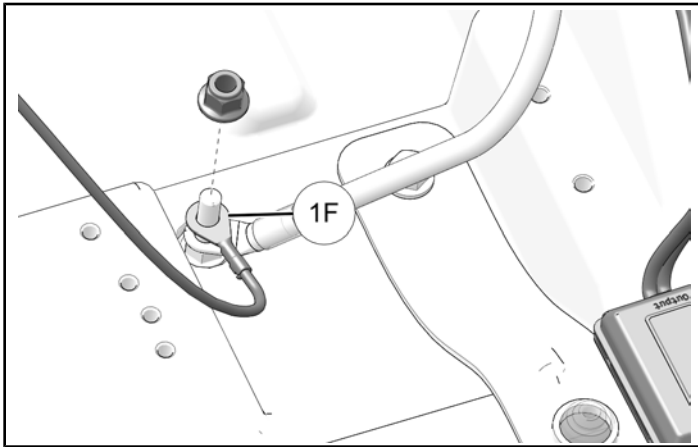
12. Remove one nut from ground stud on hood liner.



- Put ring terminal 1F over stud and install with one retained nut . Torque nut to specification.

TORQUE

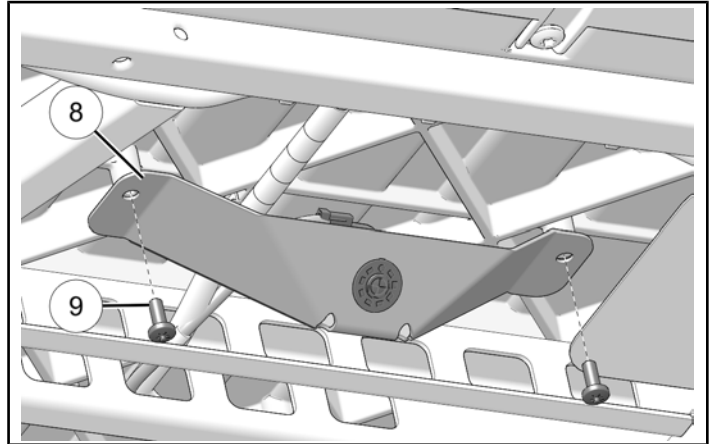
Ground Stud Nut:
88 in-lbs (10 N·m)



- Align rear camera mount (8) with bosses on underside of cargo box and install with two screws (9). Torque two screws to specification.

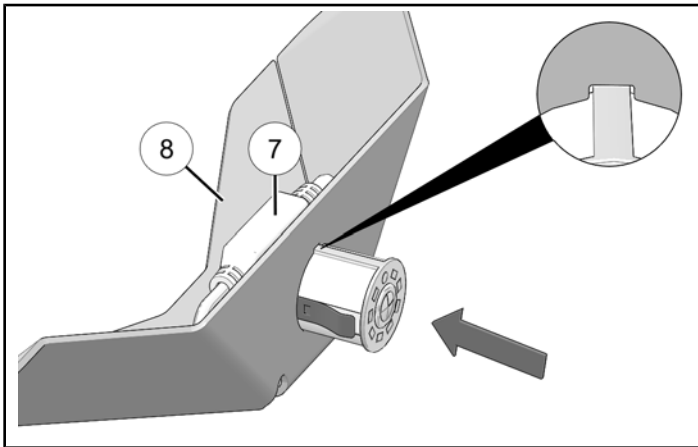
TORQUE

Rear Camera Mount Screws (9):
17 in-lbs (2 N·m)

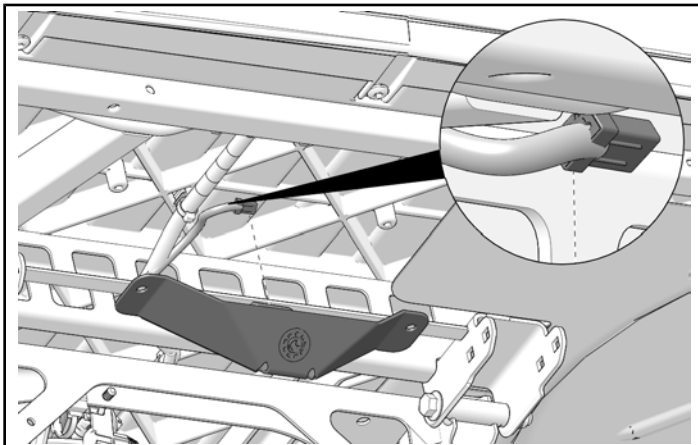


REAR CAMERA INSTALLATION

- Put rear camera (7) (ring of LED lamps on perimeter) into rear camera bracket (8). Push camera until two locking clips snap into place.

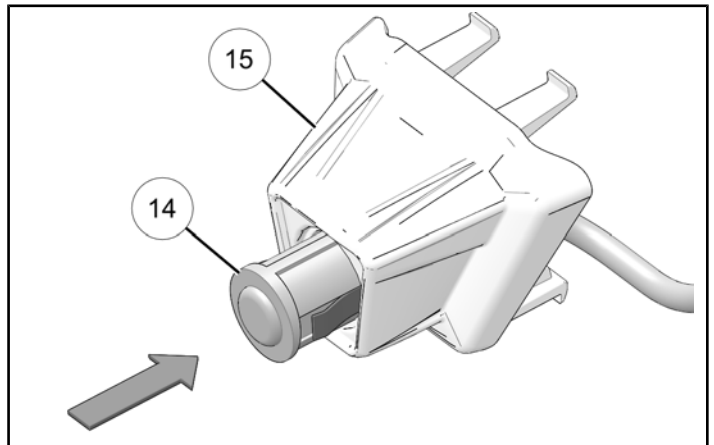


- Locate rear camera connector and remove cap (if equipped). Connect rear camera to harness.

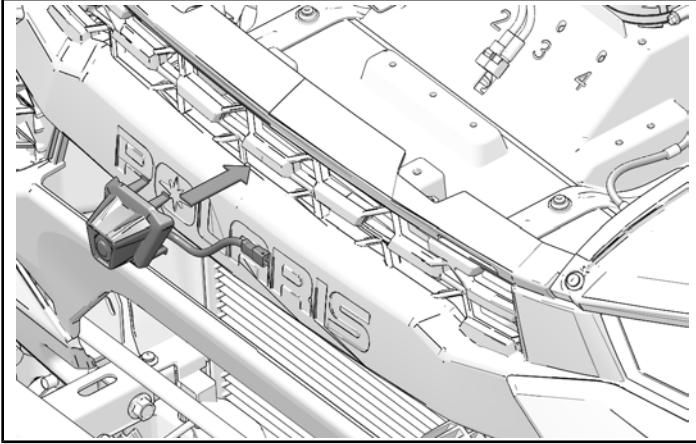


FRONT CAMERA INSTALLATION

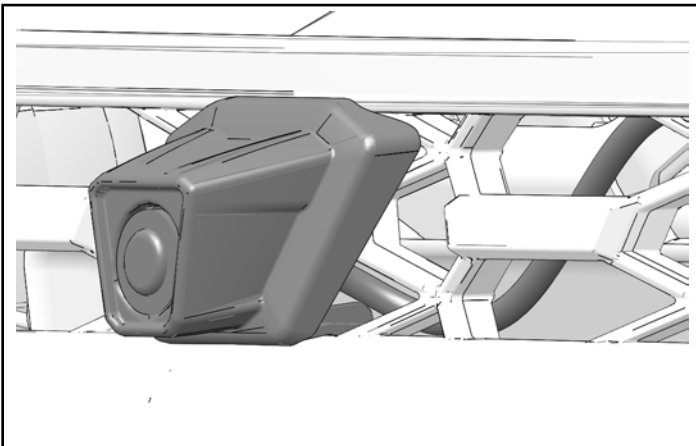
- Put rear camera (14) into front camera bracket (15). Push camera until two locking clips snap into place.



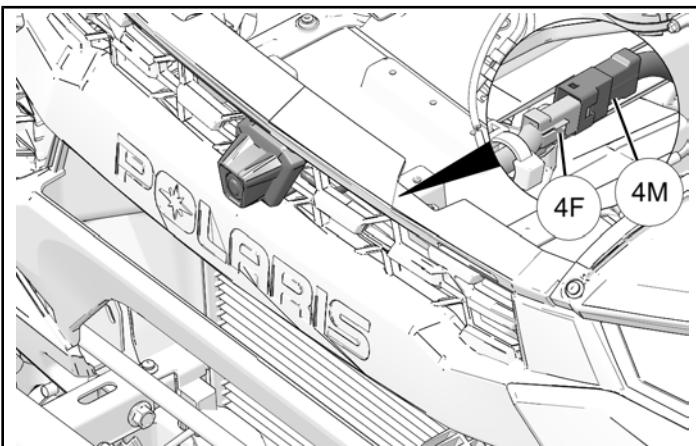
- Align camera mount with center of grille. Make sure camera harness goes through the grille and is accessible from the other side.



- Push camera mount until all the tabs lock onto the grille.

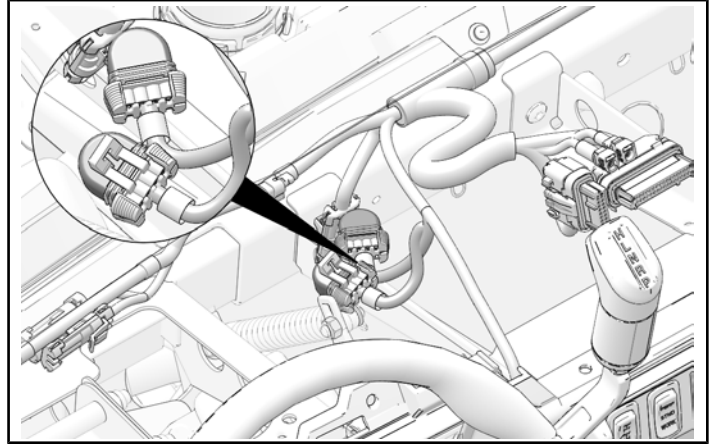


- Connect camera connector **4M** to Ride Command® audio harness connector **4F**.

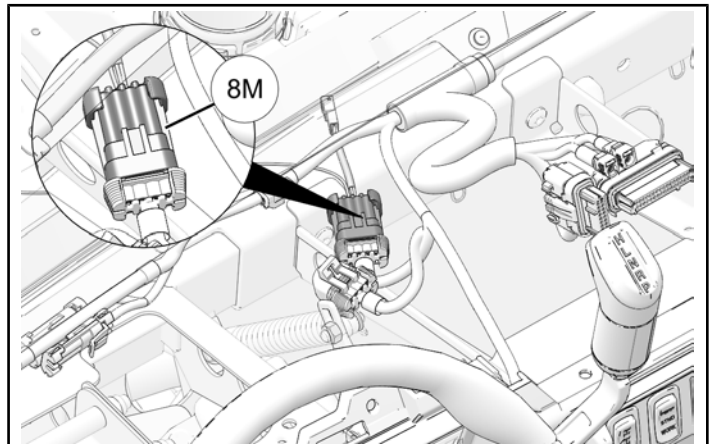


AUDIO ADAPTER HARNESS INSTALLATION

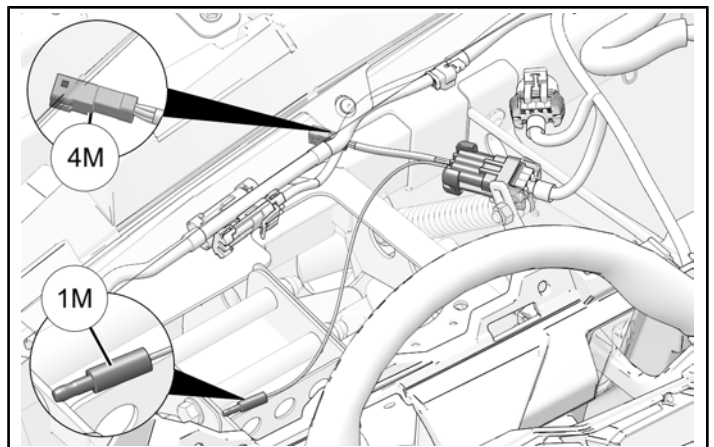
- Remove cap(s) from connector on Ride Command® mount harness.



- Install audio adapter harness connector **8M** to Ride Command® mount harness.

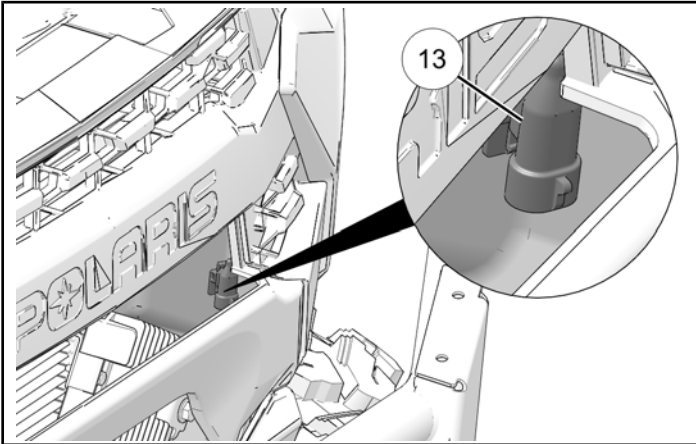


- Install audio adapter harness connectors **1M** and **4M** to corresponding connectors on audio accessory (sold separately).

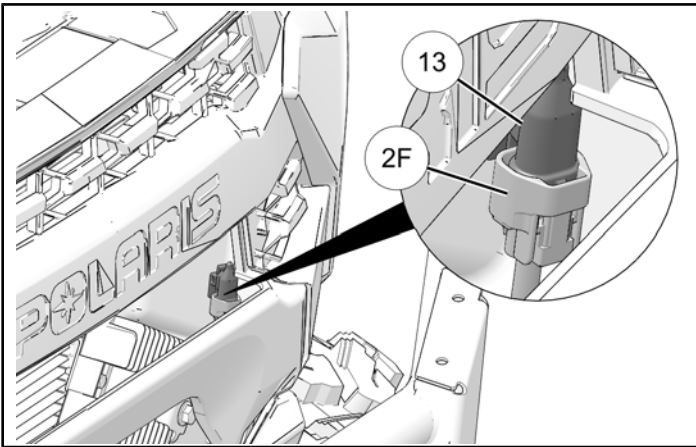


AMBIENT AIR TEMPERATURE SENSOR INSTALLATION

1. Install ambient air temperature sensor ⑬ to radiator shroud.

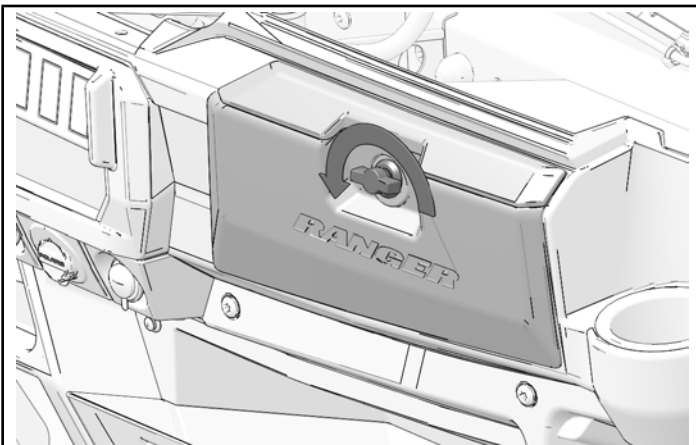


2. Install Ride Command® audio harness connector 2F to sensor ⑬.



USB HARNESS INSTALLATION

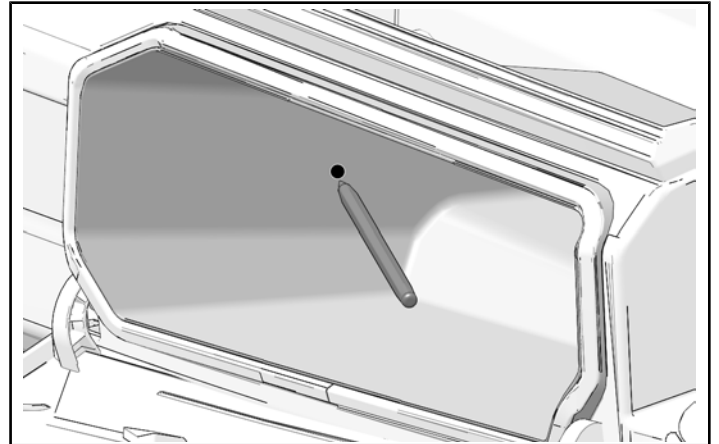
1. Turn knob and open dashboard storage compartment.



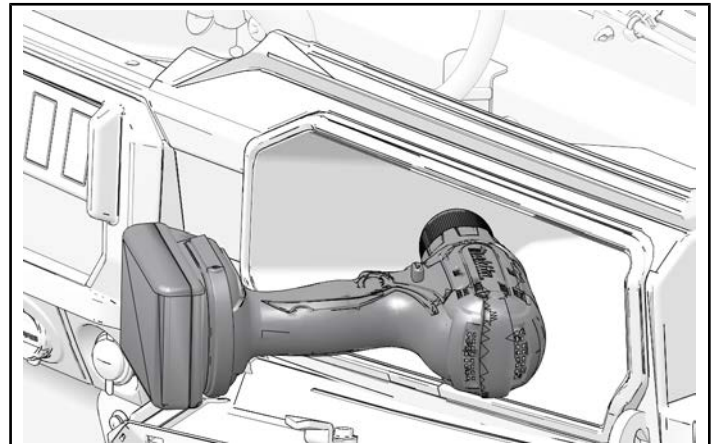
2. Mark inside of storage compartment where hole will be drilled.

TIP

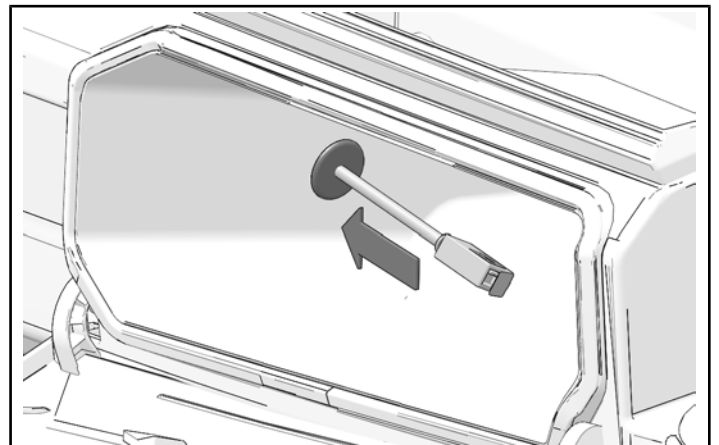
Location is not critical but make sure USB harness can reach Ride Command® display location and that there are not any vehicle components, wiring, lines/hoses/ducts, etc. on the opposite side of the drilling location.



3. Drill one 7/8 in (22 mm) hole in storage compartment.



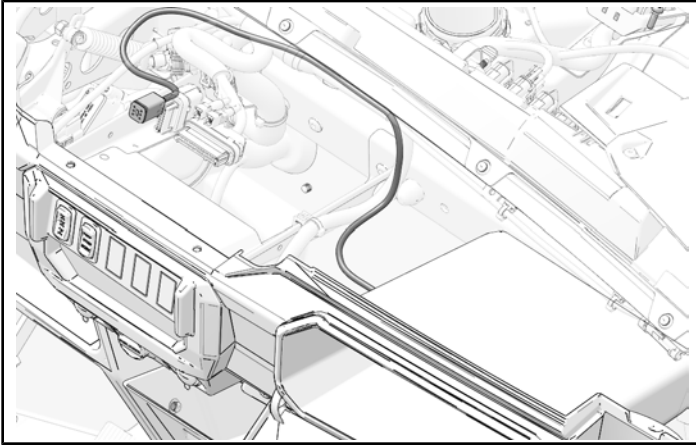
4. Put USB harness through drilled hole. Make sure grommet is fully seated in hole.



5. Route USB harness along firewall towards driver's side. Use cable ties, as needed.

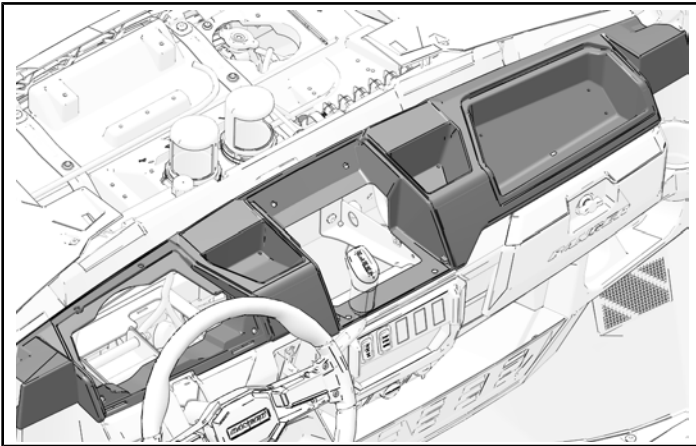
TIP

USB connector will be installed to the back of the Ride Command® display later.



UPPER DASHBOARD INSTALLATION

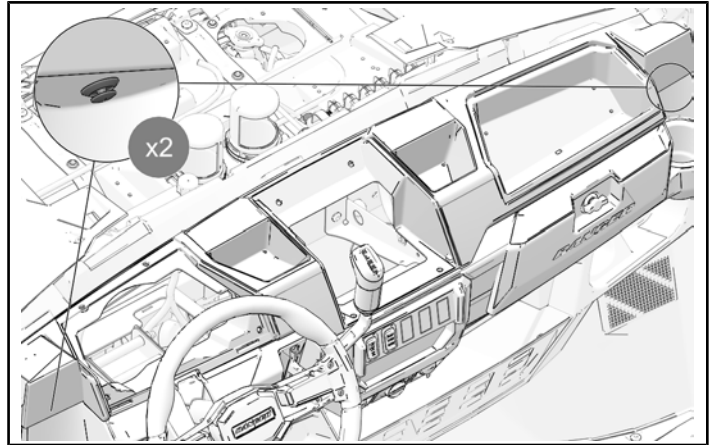
1. Put upper dashboard in vehicle.



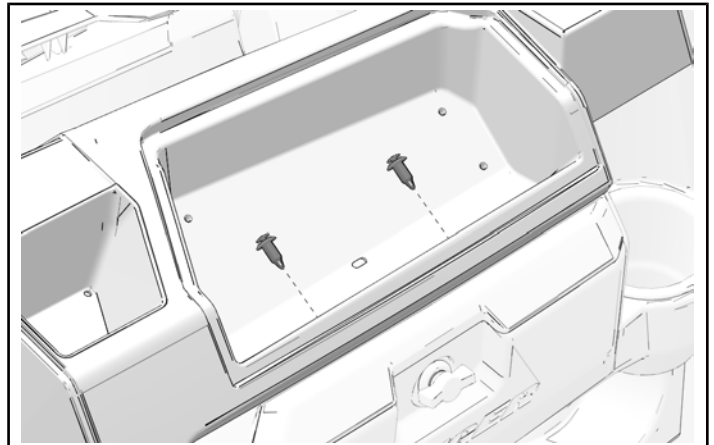
2. Install upper dashboard with two retained push-pin rivets.

TIP

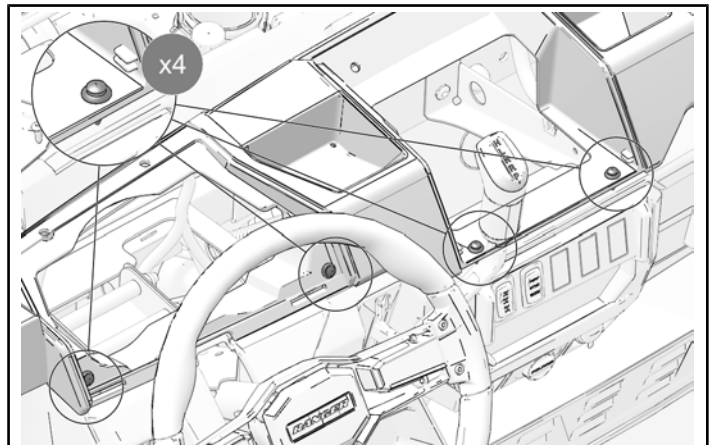
Push-pin rivets are installed above side cup holders.



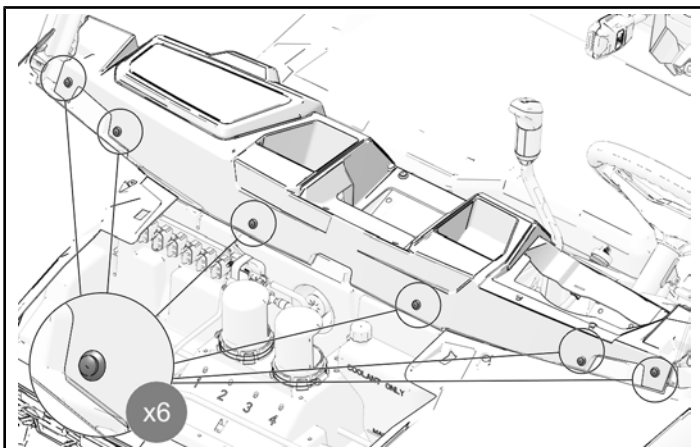
3. Install two retained push-pin rivets on passenger's side of upper dashboard.



4. Install four retained push-pin rivets on driver's side of upper dashboard.



5. Install front of upper dashboard with six retained push-pin rivets.

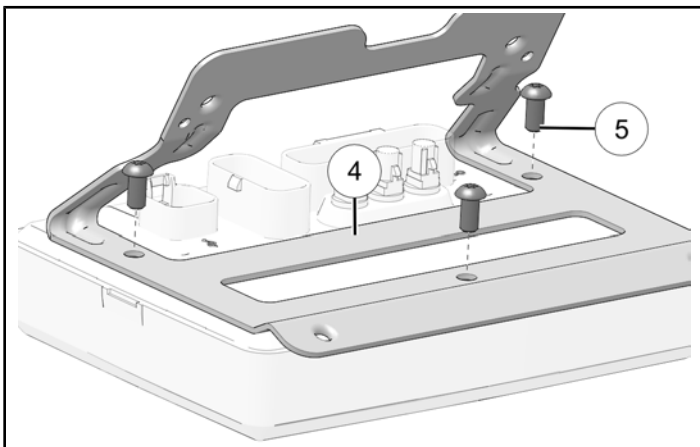


RIDE COMMAND® DISPLAY INSTALLATION

1. Install Ride Command® display bracket (4) to Ride Command® display with three screws (5). Torque three screws to specification.

TORQUE

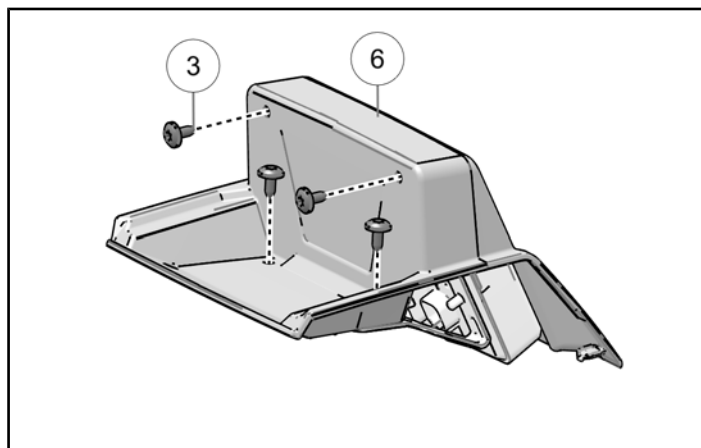
Ride Command® Bracket Screws (5):
31 in-lbs (3.5 N·m)



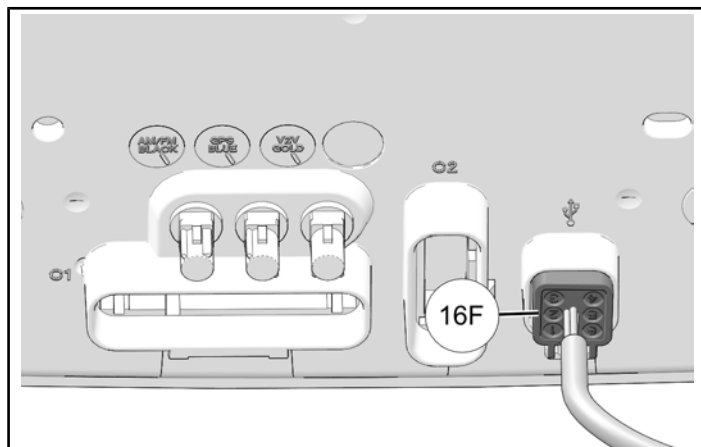
2. Install display bezel (6) to bracket with four screws (3). Torque four screws to specification.

TORQUE

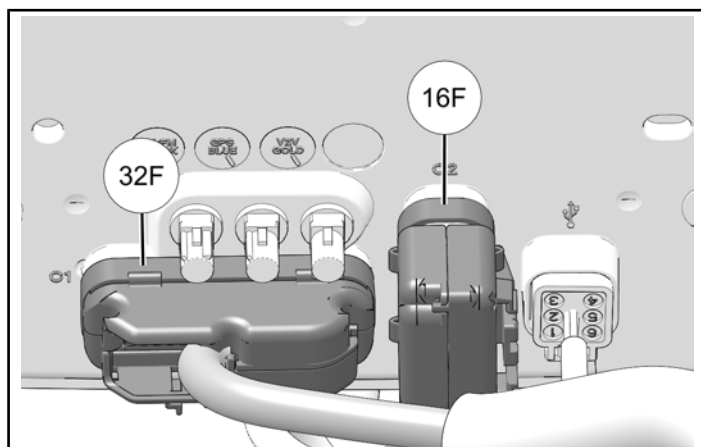
Display Bezel Screws (3):
88 in-lbs (10 N·m)



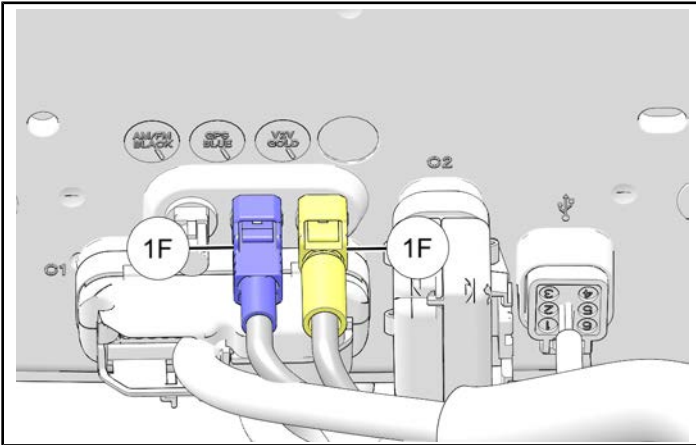
3. Put Ride Command® display assembly near dashboard to connect each of the harness to the back of the display.
4. Install USB connector 16F to the Ride Command® display.



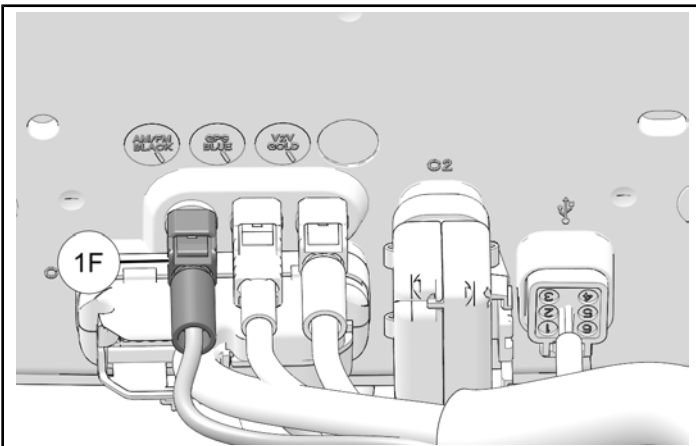
5. Install audio harness connectors 32F and 16F to the Ride Command® display.



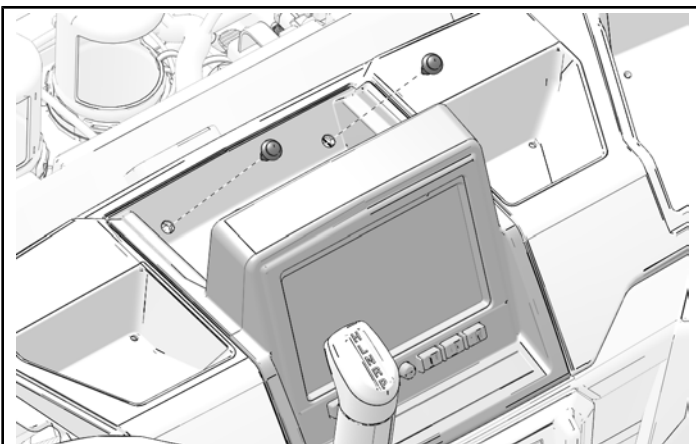
6. Install audio harness connectors **1F** (blue) and **1F** (gold) to the Ride Command® display.



7. Install the AM/FM antenna connector **1F** to the Ride Command® display.



8. Install the display bezel to the dashboard with two retained push-pin rivets.



WINCH JUMPER HARNESS INSTALLATION (OPTIONAL)

1. If plow system is installed (sold separately), perform functional check of Ride Command® plow mode.
2. Turn vehicle on.

3. Make sure plow blade is completely lowered to the ground.
4. Make sure magnetic stop on winch is positioned at least 6 in (300 mm) from autostop fairlead.
5. Navigate to plow mode screen on Ride Command® display. Touch and hold “Up Arrow” button while attempting to slide button to the left (to lift plow).

TIP

Plow mode can be in either manual or auto mode for this functional check.

- If winch lifts plow blade to raised position, no further action is required.
- If winch does not lift plow blade, proceed with installation procedures.



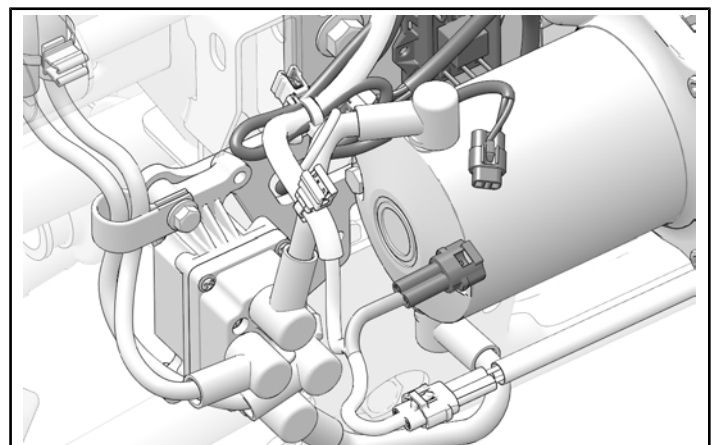
6. Disconnect autostop connector . Install jumper harness between plow control connector and autostop controller connector.

NOTICE

Bumper assembly hidden for clarity.

IMPORTANT

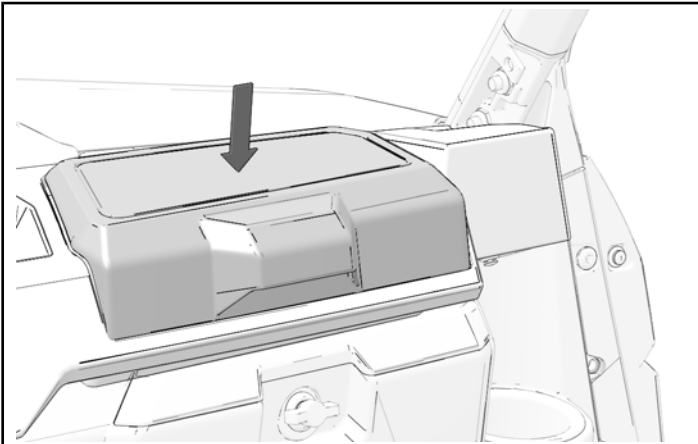
Do not disconnect connector from fairlead.



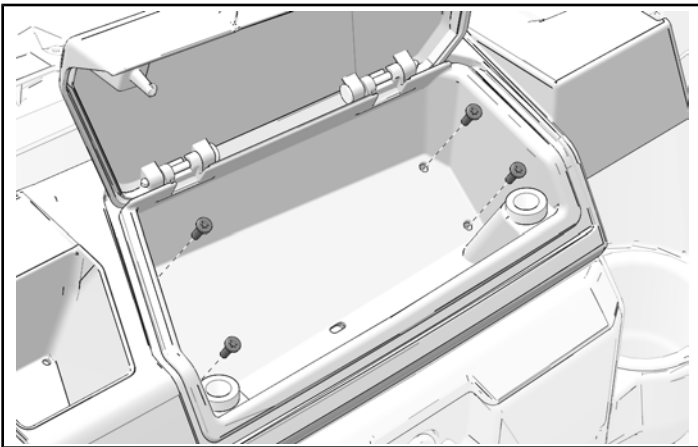
VEHICLE REASSEMBLY

DASHBOARD STORAGE INSTALLATION

1. Put storage compartment in dashboard.

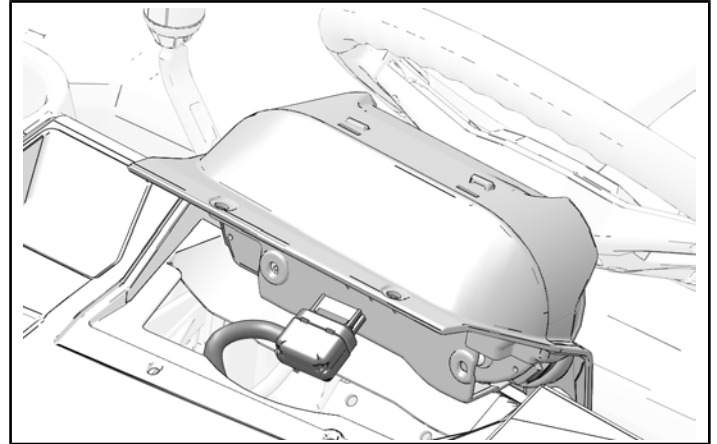


2. Install storage compartment to dashboard with four retained screws snugly.

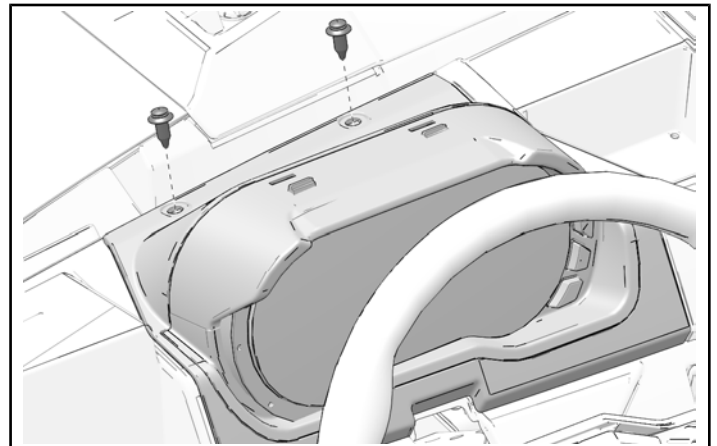


INSTRUMENT CLUSTER INSTALLATION

1. Connect the instrument cluster to the chassis electrical harness.



2. Install the instrument cluster bezel with two retained push-pin rivets.

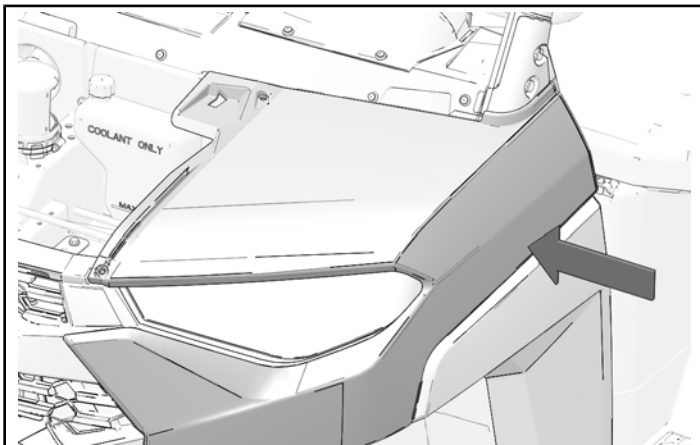


FENDER INSTALLATION

NOTICE

Left fender shown; right fender similar.

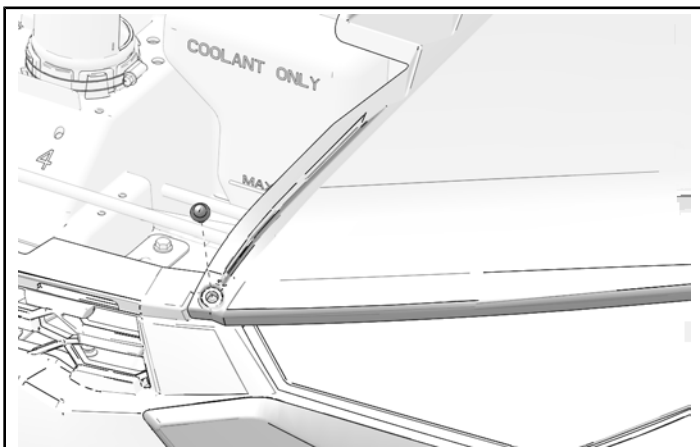
1. Put fender in installed position



2. Install front of fender with one retained push-pin rivet.

NOTE

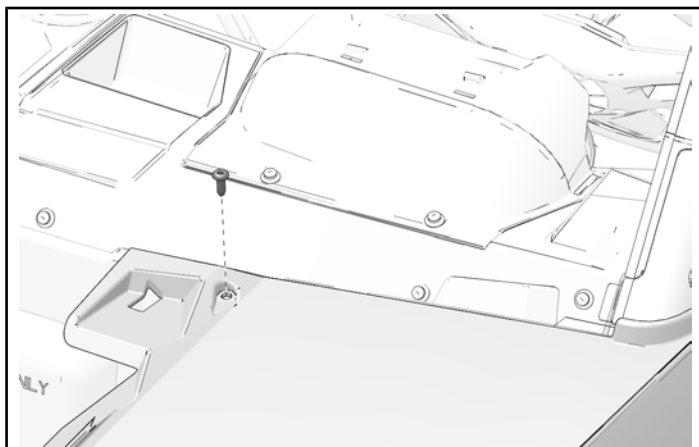
Remember to reinstall the passenger side fender.



3. Install rear of fender with on retained screw.
Torque screw to specification.

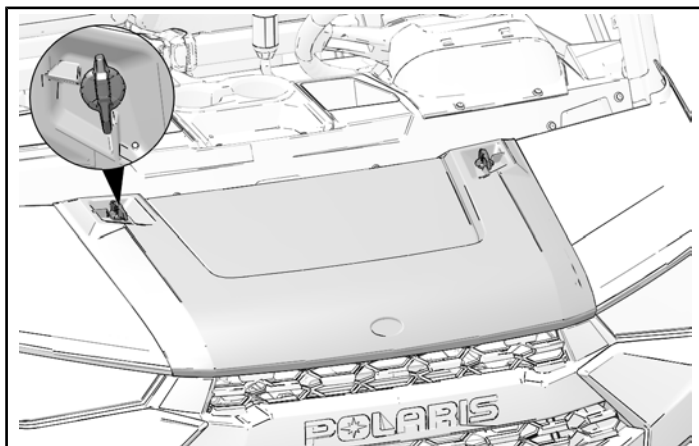
TORQUE

Fender Screw:
22 ft-lbs (30 N·m)



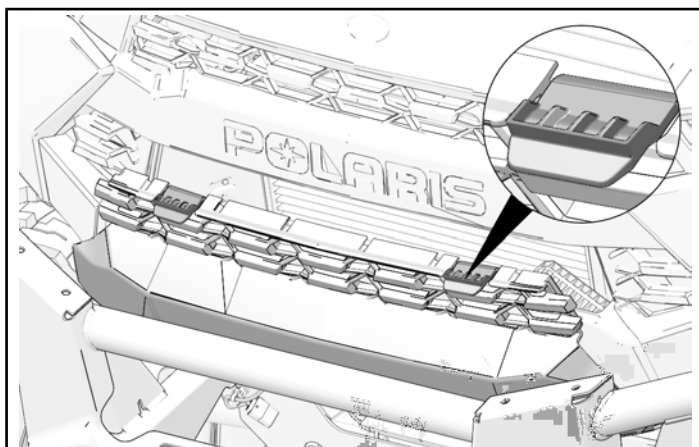
HOOD INSTALLATION

1. Align hood with vehicle and turn two quarter-turn fasteners to lock position and install hood.



GRILLE INSTALLATION

1. Put bottom of grille in first and push top of grille in until two tabs engage upper front fascia.



OPERATION

Refer to user manual provided with Ride Command® display for procedures on operation, software updates, map updates, and more.

INSTRUCTION FEEDBACK FORM

A feedback form has been created for the installer to provide any comments, questions or concerns about the installation instructions. The form is viewable on mobile devices by scanning the QR code or by clicking [HERE](#) if viewing on a PC.

