

RIDE COMMAND® MOUNT KIT



P/N 2889309

BEFORE YOU BEGIN

Read these instructions and check to be sure all parts and tools are accounted for. Please retain these installation instructions for future reference and parts ordering information.

APPLICATION

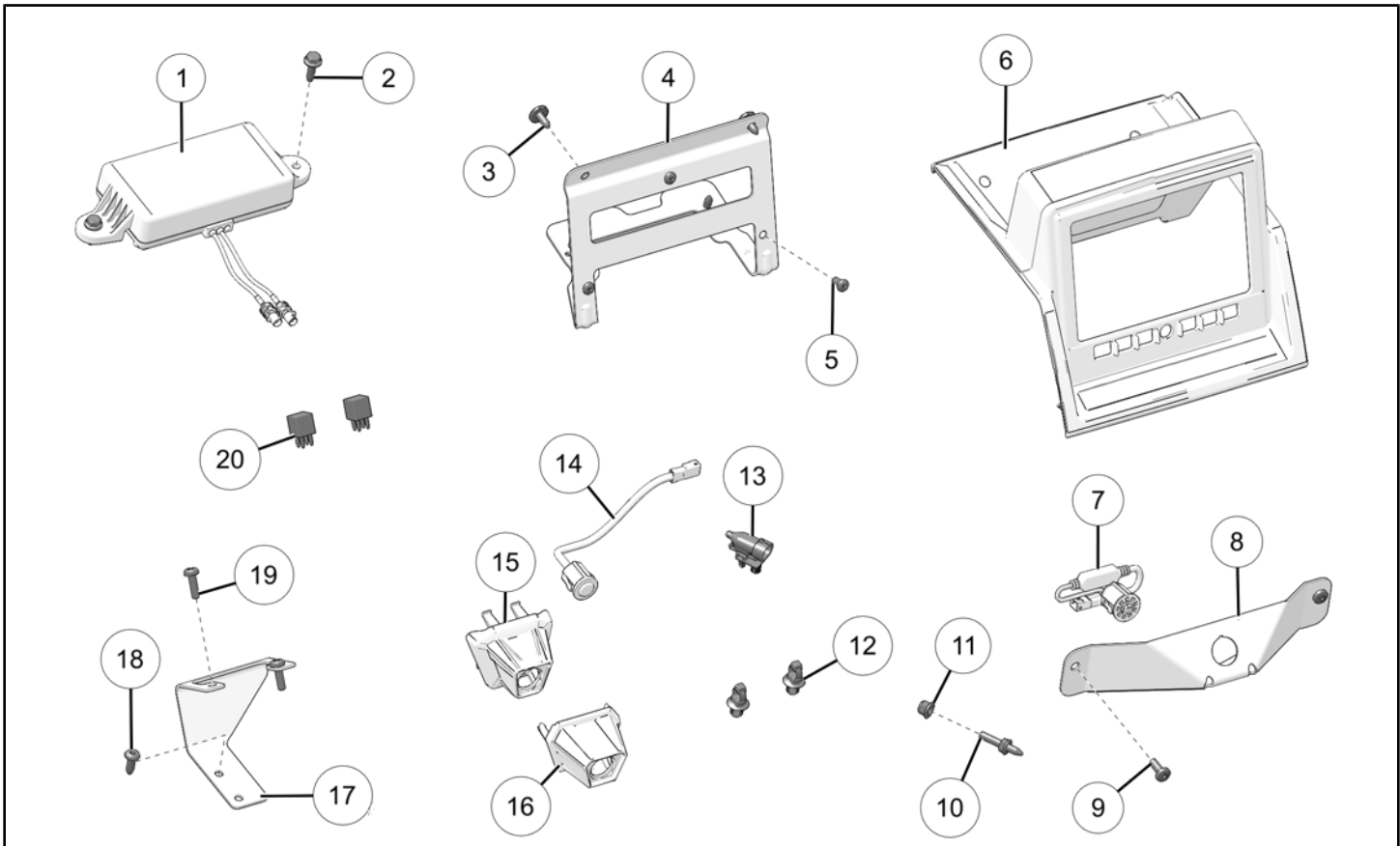
Verify accessory fitment at www.polaris.com.

REQUIRED SOLD SEPARATELY

Only parts for installation of the Ride Command® Mount Kit are included. For complete installation, the following additional kit is required (sold separately):

- Ride Command® Display, P/N 2884072
- Ride Command® Audio Kit, P/N 2883956

KIT CONTENTS



REF	QTY	PART DESCRIPTION	P/N AVAILABLE SEPARATELY
1	1	Antenna—GPS, Vehicle-To-Vehicle	4019300
2	2	Screw—Hex Head Flange, M6 x 1.0 x 20 mm	7518529
3	4	Screw—Torx® Truss Head, M6 x 1.0 x 16 mm	7518936

REF	QTY	PART DESCRIPTION	P/N AVAILABLE SEPARATELY
4	1	Bracket–Ride Command® Display	n/a
5	3	Screw–Torx® Button Head, M6 x 1.0 x 12 mm	7518330
6	1	Bezel–Ride Command® Display	5268173
7	1	Camera–Rear, Infrared	4019856
8	1	Bracket–Rear Camera Mount	5265002
9	2	Screw–Torx® Pan Head, Hi/Lo, #14 x 5/8 in	7520803
10	1	Stud–Ground, M6 x 1.0 x 19 mm	7519333
11	1	Nut–Flange, M6	7547274
12	2	Clip–Push-Dart, Cable Tie	7082414
13	1	Sensor–Ambient Air Temperature	4018205
14	1	Camera–Front	4019855
15	1	Mount–Front Camera	5454705
16	1	Mount–Front Camera, Alternative	5455141
17	1	Bracket–Fuse Holder	5267587
18	2	Screw–Torx® Truss Head, Self-Tapping #14 x 3/4 in	7519045
19	2	Screw–Torx® Pan Head, M6 x 1.0 x 20 mm	7518546
20	2	Relay–Fuse, 12 V	4016819
21	1	Harness–USB (not shown; see <i>Harness Detail</i> section)	2415498
22	2	Harness–Audio Adapter (not shown; see <i>Harness Detail</i> section)	n/a
23	1	Harness–Winch Jumper (not shown; see <i>Harness Detail</i> section)	2415490
24	1	Harness–Ride Command® Audio (not shown; see <i>Harness Detail</i> section)	2416064
25	1	Antenna–AM/FM (not shown; see <i>Harness Detail</i> section)	4080105
26	1	Harness–Plow Mode	2415288
27	10	Cable Tie (not shown)	7080492

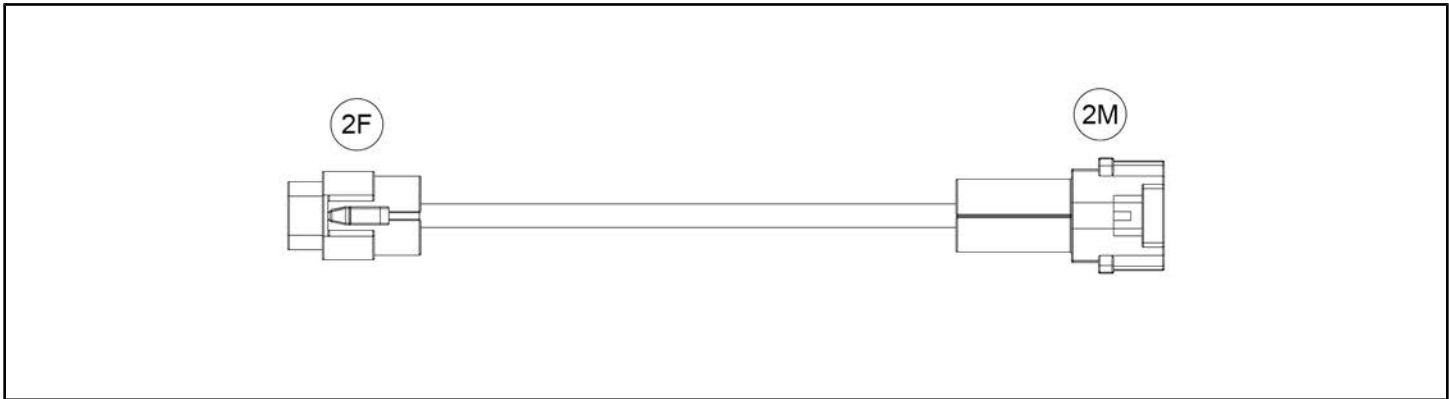
HARNESS DETAIL

USB HARNESS



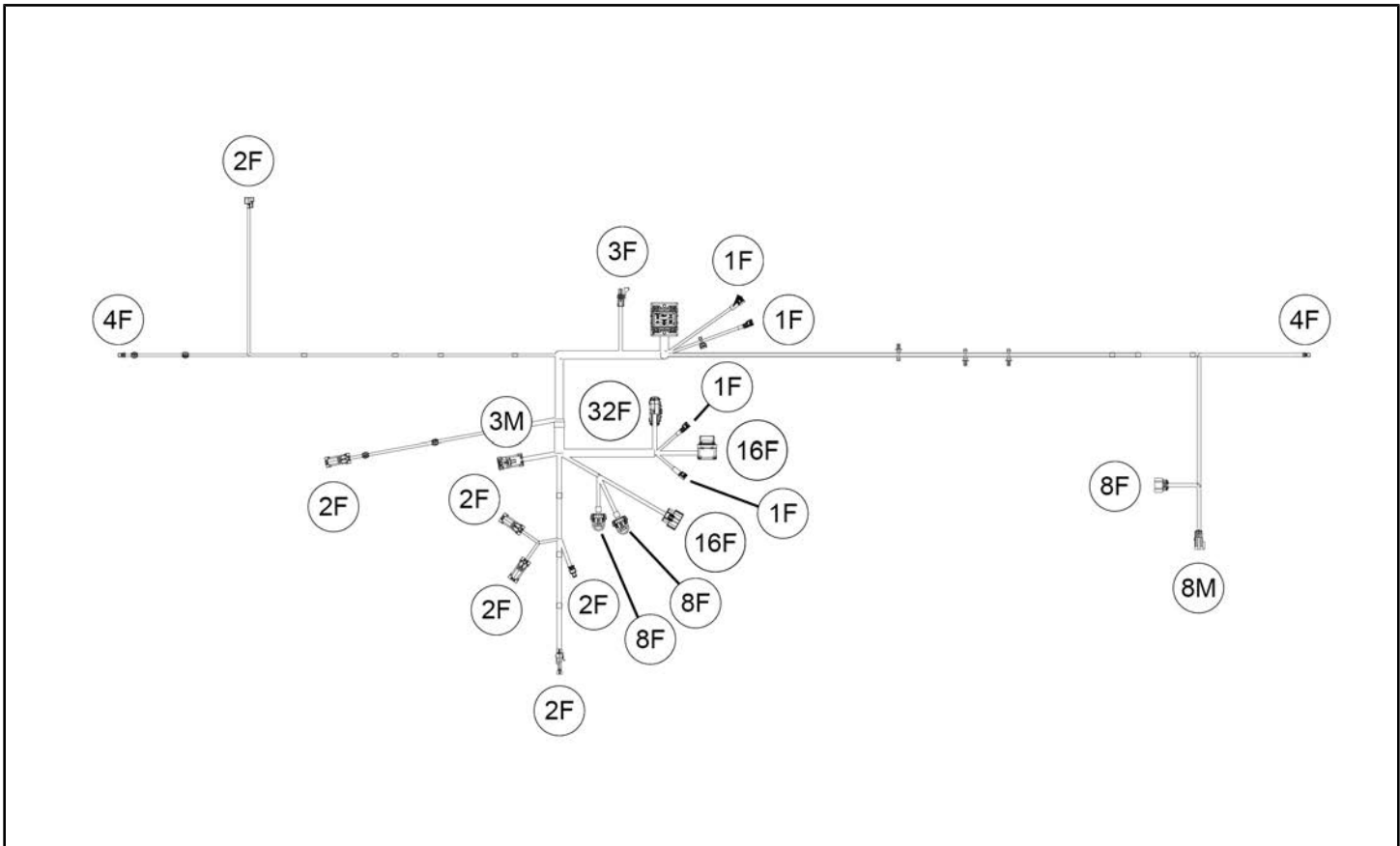
REF	PART DESCRIPTION	CONNECTS TO
6F	Connector–USB	Ride Command® Display
Example: 16F = 16 pin, Female / 16M = 16 pin, Male (Male terminal fits inside female terminal)		

WINCH JUMPER HARNESS



REF	PART DESCRIPTION	CONNECTS TO
2F	Connector–Chassis Harness	Chassis Harness/ Ride Command® Audio Harness
2M	Connector–Auto Stop	Winch Auto Stop
Example: 16F = 16 pin, Female / 16M = 16 pin, Male (Male terminal fits inside female terminal)		

RIDE COMMAND® MOUNT HARNESS

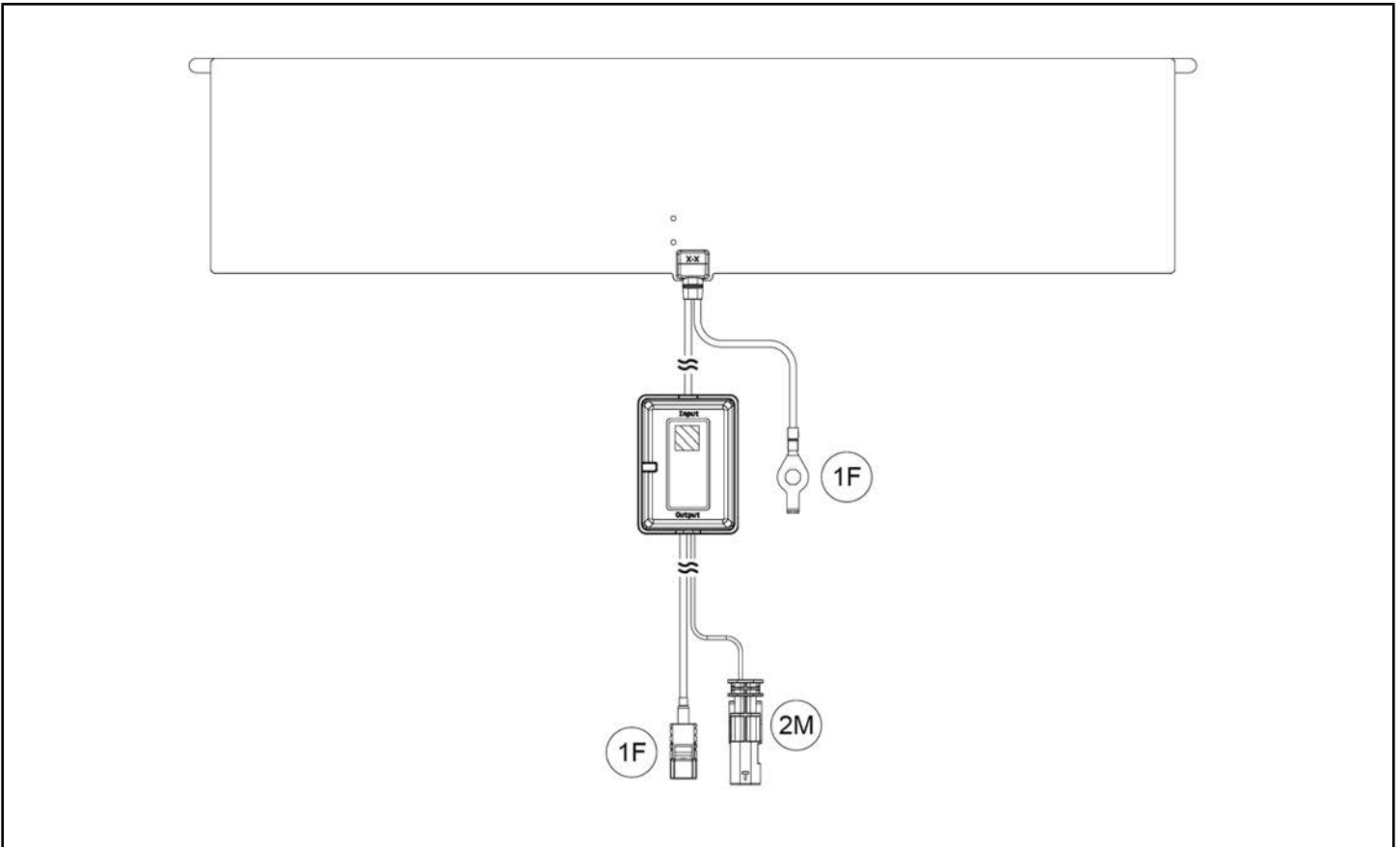


TIP

Read table clockwise.

REF	PART DESCRIPTION	CONNECTS TO
4F	Connector–Camera, Front	Front Camera
2F	Connector–Sensor	Ambient Air Temperature Sensor
3F	Connector–Power	Polaris Pulse® bar
1F	Connector–V2V Antenna, Gold	V2V GPS Antenna GPS Antenna
1F	Connector–GPS Antenna, Blue	
4F	Connector–Camera, Rear	Rear Camera
8M	Connector–Diagnostic	Chassis Electrical
8F	Connector–Diagnostic	
32F	Connector–Display	Ride Command® Display
1F	Connector–V2V Antenna, Gold	
16F	Connector–Display	
1F	Connector–GPS Antenna, Blue	
16F	Connector–Amplifier	Amplifier
8F	Connector–Amplifier 2, With Cap	Optional: Audio Adapter Harness
8F	Connector–Subwoofer, With Cap	Options!: Audio Adapter Harness
2F	Connector–AM/FM Antenna	AM/FM Antenna Harness
2F	Connector–Speaker, Signal Out, Left	Left Speaker
2F	Connector–Speaker, Signal Out, Accessory Speaker, With Cap	Optional: Accessory Speaker, Roof Speaker or Door Speaker (sold separately)
2F	Connector–Speaker, Signal Out, Accessory Speaker, With Cap	Optional: Accessory Speaker, Roof Speaker or Door Speaker (sold separately)
3M	Connector–Winch Enable, With Cap	Optional: Plow Mode Harness, P/N 2415288
2F	Connector–Speaker, Signal Out, Right	Right Speaker
Example: 16F = 16 pin, Female / 16M = 16 pin, Male (Male terminal fits inside female terminal)		

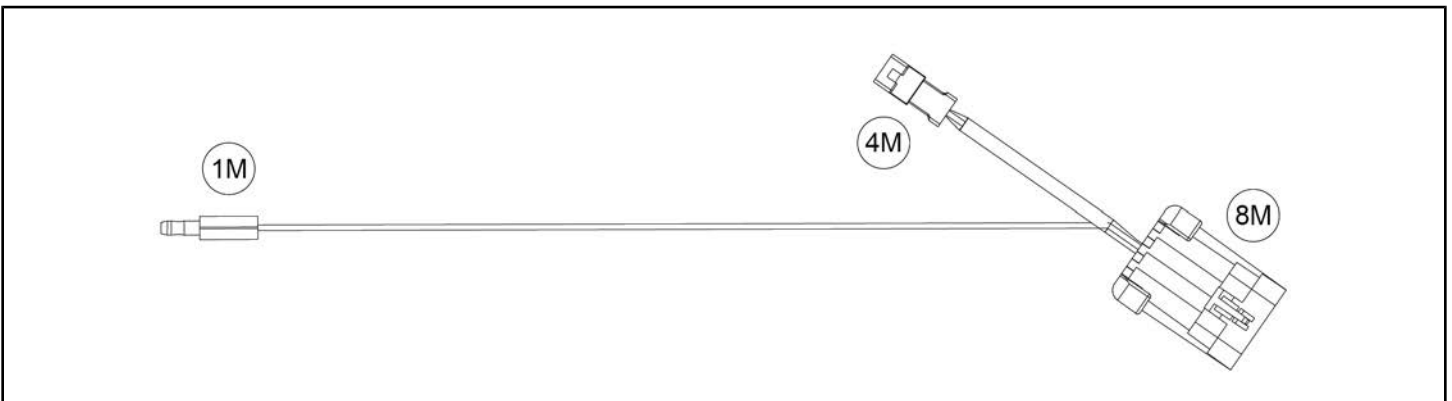
AM/FM ANTENNA HARNESS



REF	PART DESCRIPTION	CONNECTS TO
1F	Connector–Antenna	Ride Command® Display
2M	Connector–Power	Ride Command® Mount Harness
1F	Terminal–Ring	Vehicle Chassis

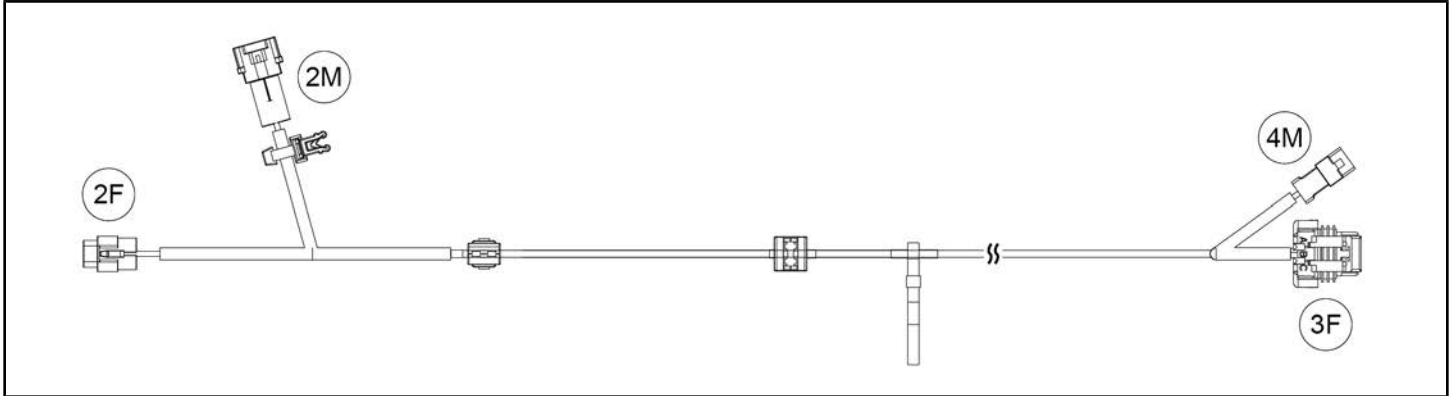
Example: 16F = 16 pin, Female / 16M = 16 pin, Male (Male terminal fits inside female terminal)

AUDIO ADAPTER HARNESS



REF	PART DESCRIPTION	CONNECTS TO
1M	Connector–Bullet	Accessory Audio Harness, Subwoofer or Amplifier (sold separately)
4M	Connector–Audio, Signal Out	
8M	Connector–Audio, Signal In	Ride Command® Mount Harness
Example: 16F = 16 pin, Female / 16M = 16 pin, Male (Male terminal fits inside female terminal)		

PLOW MODE HARNESS



REF	PART DESCRIPTION	CONNECTS TO
2F	Connector–Fairlead	Winch Fairlead
2M	Connector–Autostop	
4M	Connector–Winch Dash Enable	
3F	Connector–Ride Command® Plow Mode Enable	
Example: 16F = 16 pin, Female / 16M = 16 pin, Male (Male terminal fits inside female terminal)		

TOOLS REQUIRED

- Safety Glasses
- Cutting Tool
- Drill
- Drill Bit:
 - 7/8 in (22 mm)
- Pliers, Push Pin Rivet
- Socket Set, Metric
- Socket Set, Torx® Bit
- Torque Wrench

IMPORTANT

Your Ride Command® Mount Kit is exclusively designed for your vehicle. Please read the installation instructions thoroughly before beginning. Installation is easier if the vehicle is clean and free of debris. For your safety, and to ensure a satisfactory installation, perform all installation steps correctly in the sequence shown.

INSTALLATION INSTRUCTIONS

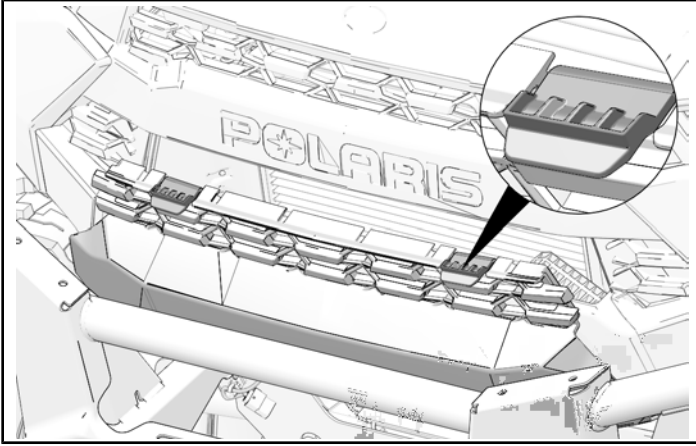
VEHICLE PREPARATION

GENERAL

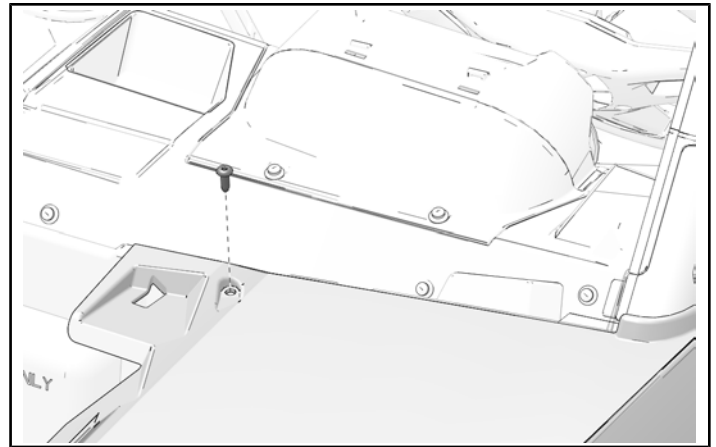
1. Park vehicle on a flat surface.
2. Shift vehicle into PARK.
3. Turn key to OFF position and remove key.

GRILLE REMOVAL

1. Push two tabs down to remove grille.

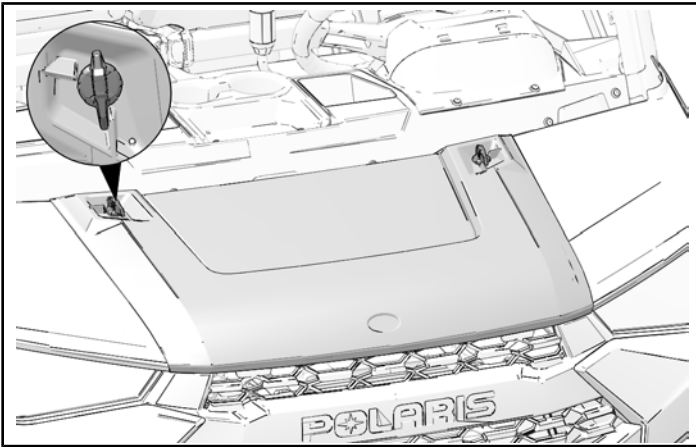


2. Remove and keep one screw.

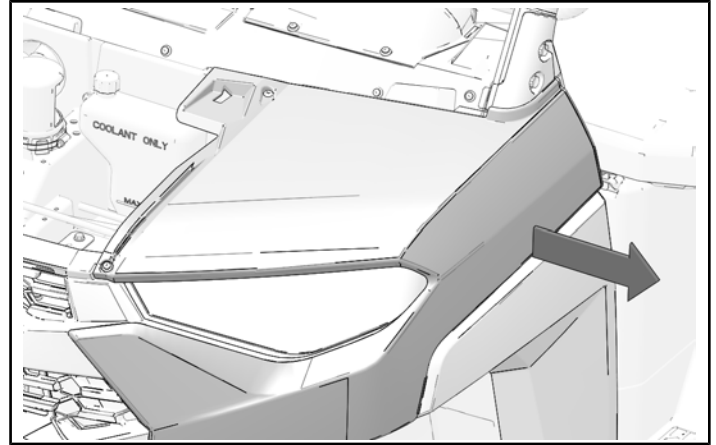


HOOD REMOVAL

1. Turn two quarter-turn fasteners to unlock position to remove hood from vehicle.



3. Remove fender from vehicle.

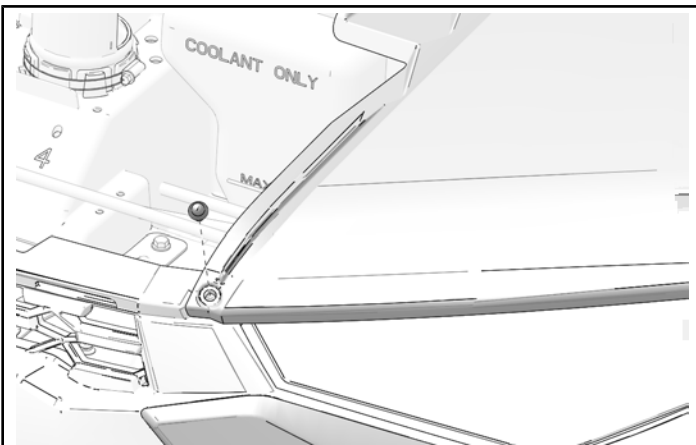


FENDER REMOVAL

NOTICE

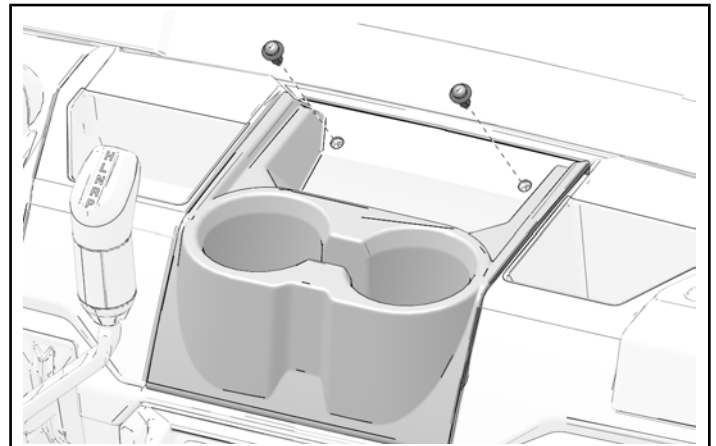
Left fender shown; right fender similar.

1. Remove and keep one push-pin rivet.

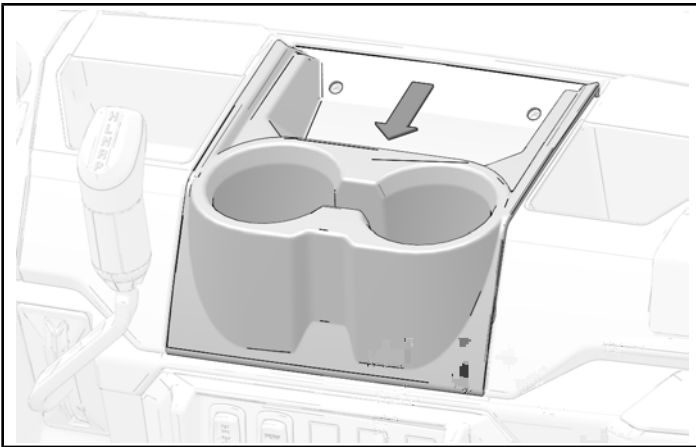


CUP HOLDER REMOVAL

1. Remove two push-pin rivets from cup holder.

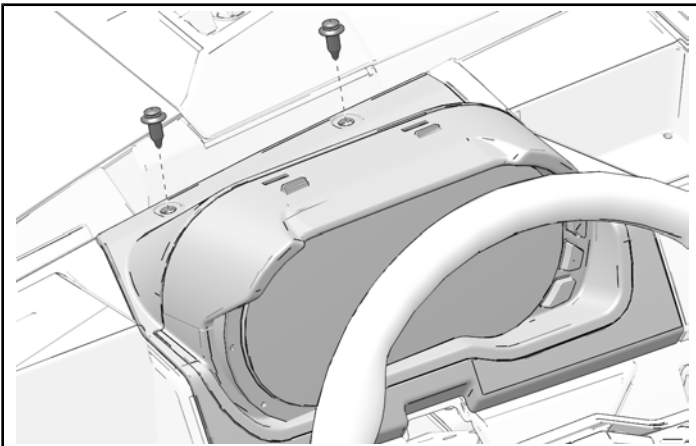


2. Remove cup holder from dashboard.

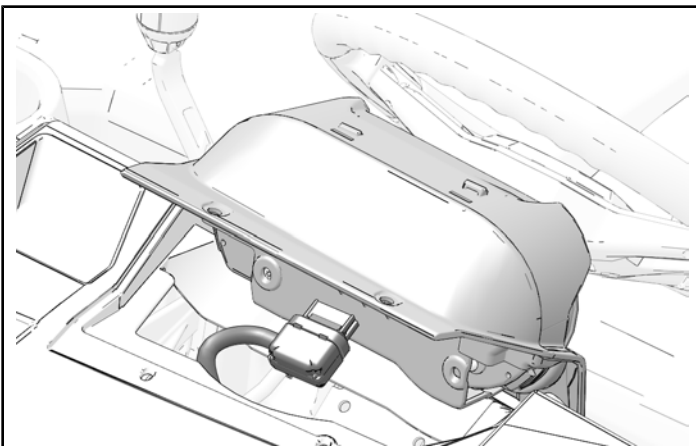


INSTRUMENT CLUSTER REMOVAL

1. Remove two push-pin rivets from instrument cluster bezel.

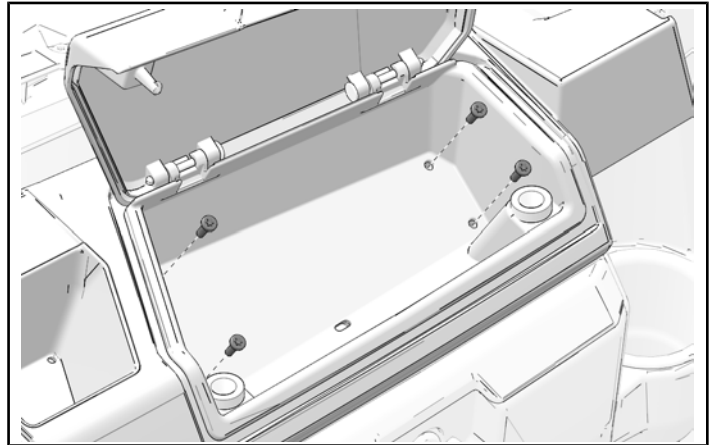


2. Remove the instrument cluster by pulling straight out towards the steering wheel.

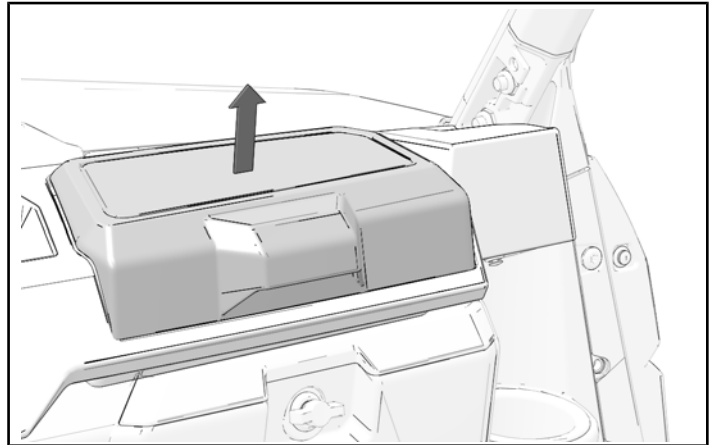


DASHBOARD STORAGE REMOVAL

1. Open dashboard storage compartment
2. Remove four screws from inside storage compartment.

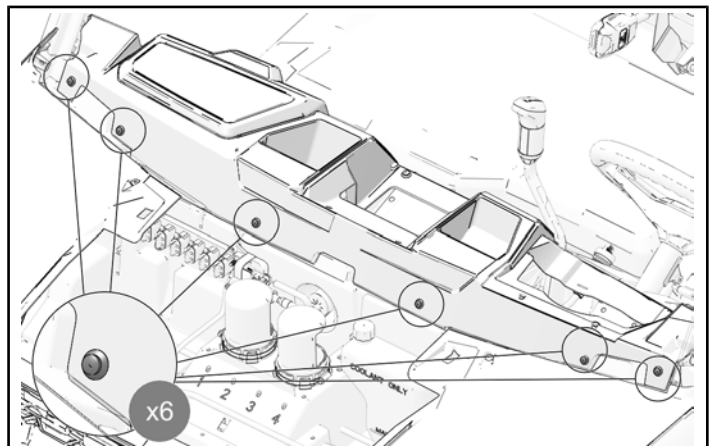


3. Remove dashboard storage compartment from dashboard.

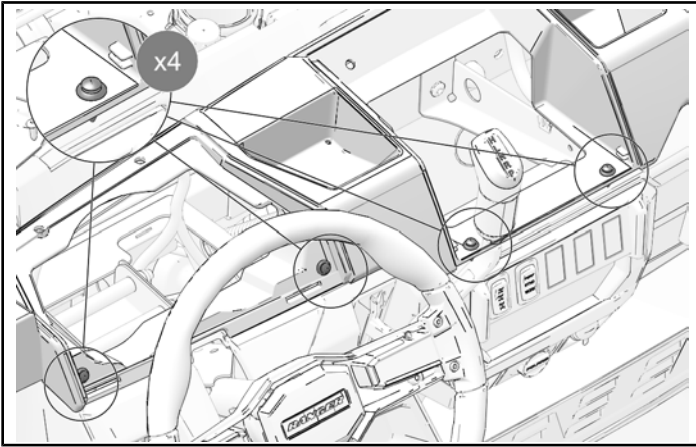


UPPER DASHBOARD REMOVAL

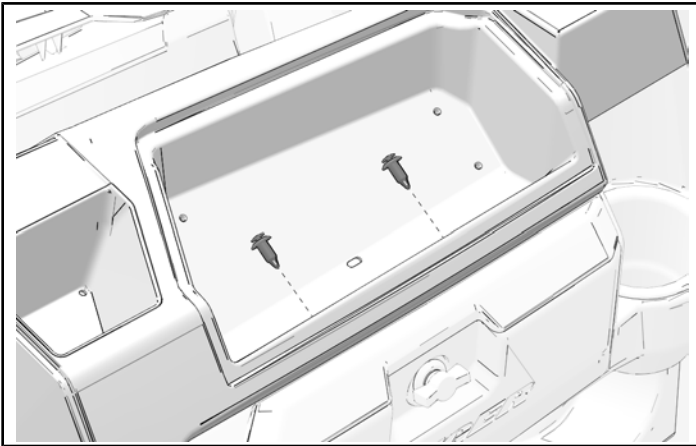
1. Remove and keep six push-pin rivets from front of upper dashboard.



- Remove and keep four push-pin rivets from driver's side of upper dashboard.

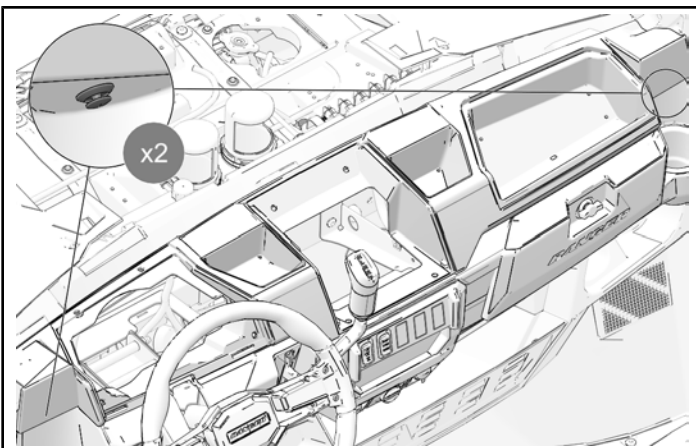


- Remove and keep two push-pin rivets from passenger's side of upper dashboard.

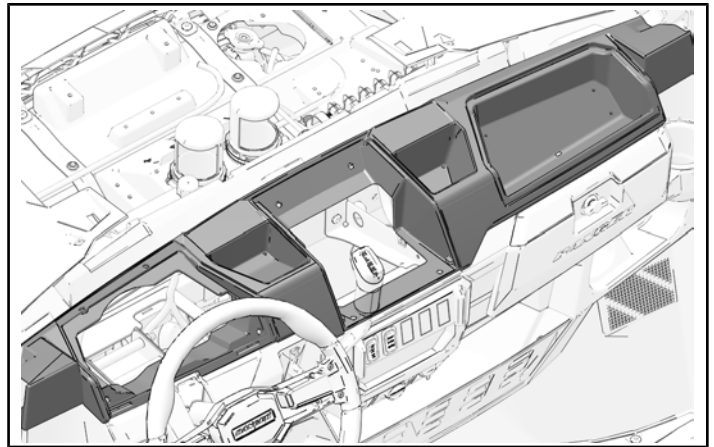


- Remove and keep two push-pin rivets from underside of upper dashboard.

TIP
Push-pin rivets are located above side cup holders.

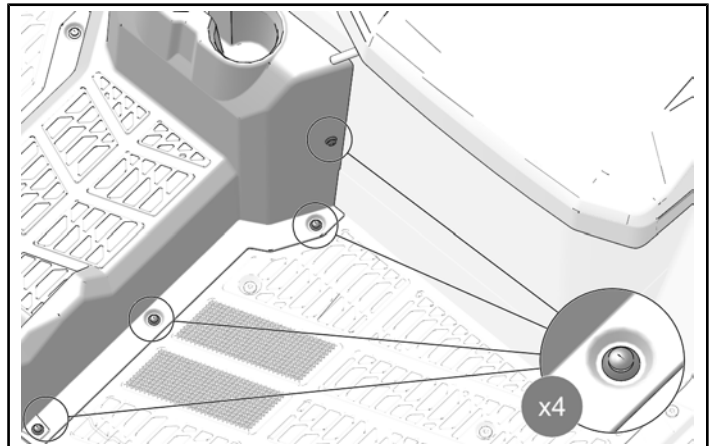


- Remove upper dashboard from vehicle.

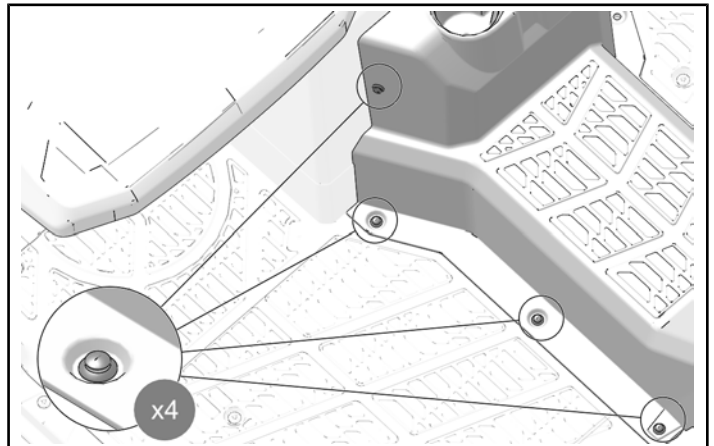


TUNNEL COVER REMOVAL

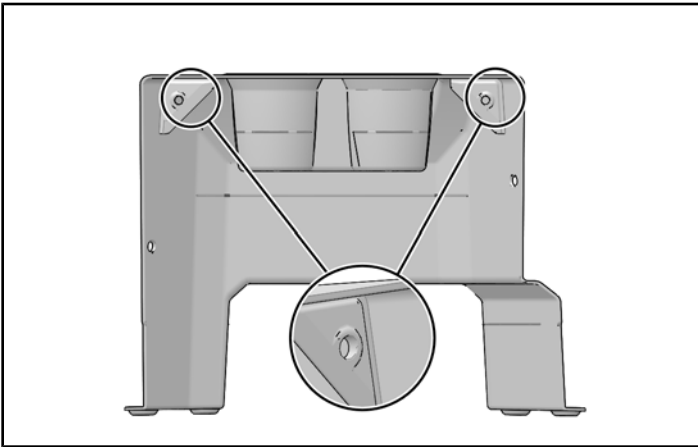
- Remove and keep four push-pin rivets from tunnel cover.



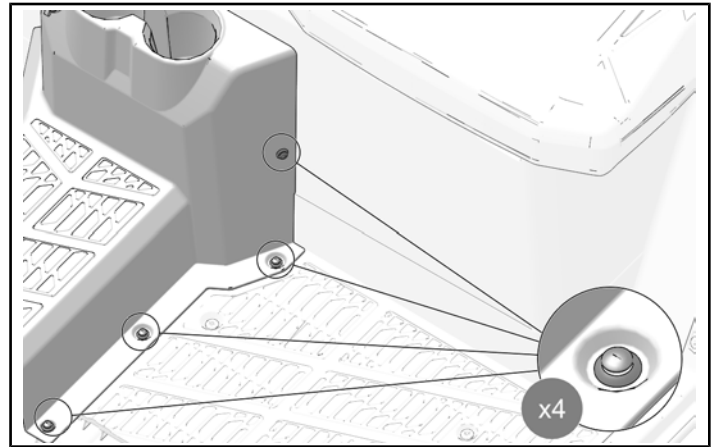
- Remove and keep four push-pin rivets from tunnel cover.



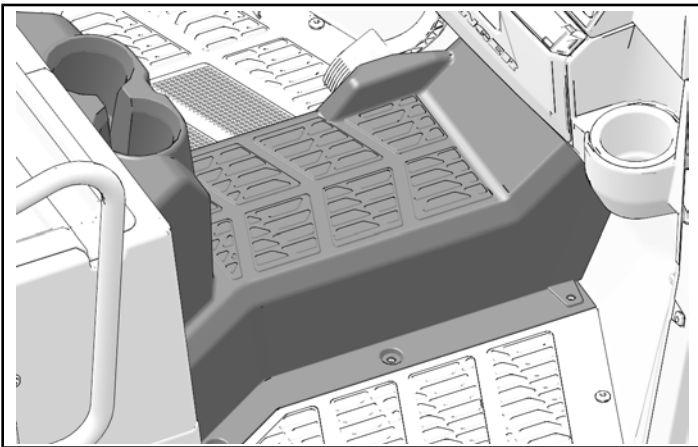
3. Remove and keep two more push darts hidden under the seat towards the back.



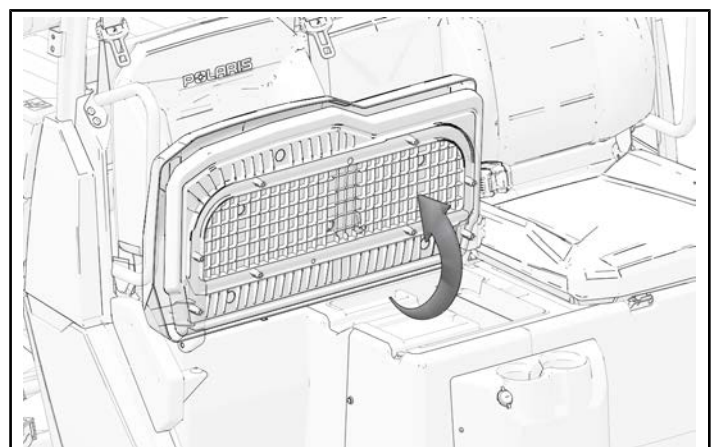
2. Remove and keep four push-pin rivets from tunnel cover.



4. Remove tunnel cover from vehicle.

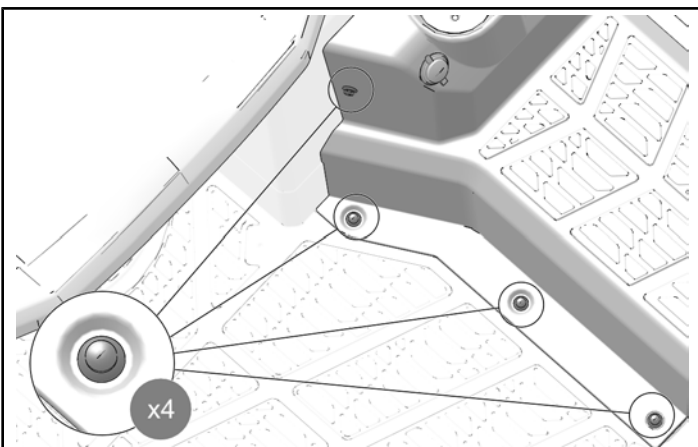


3. Rotate seat to the up position.

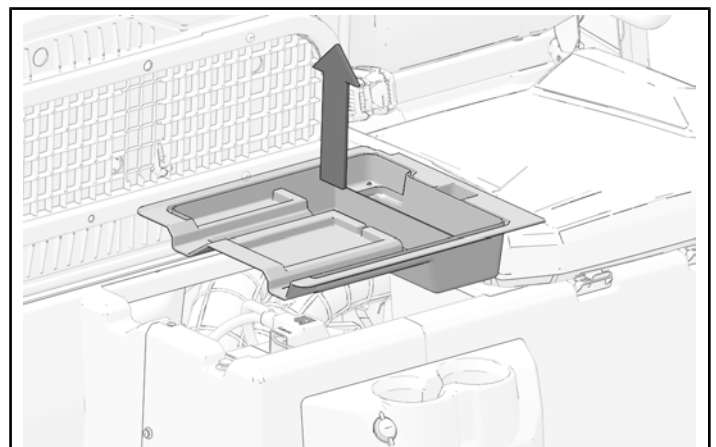


REAR TUNNEL COVER REMOVAL

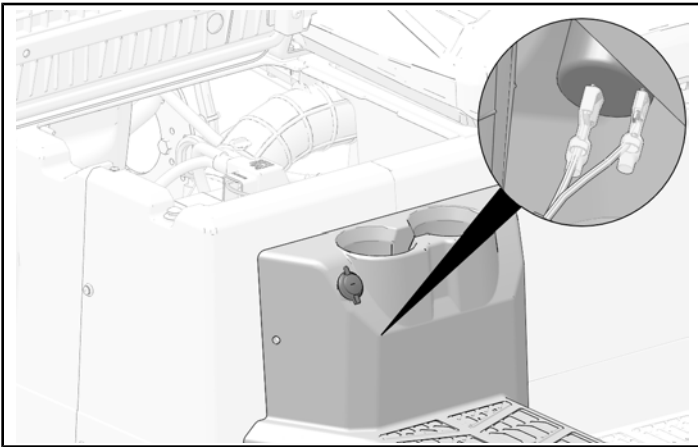
1. Remove and keep four push-pin rivets from tunnel cover.



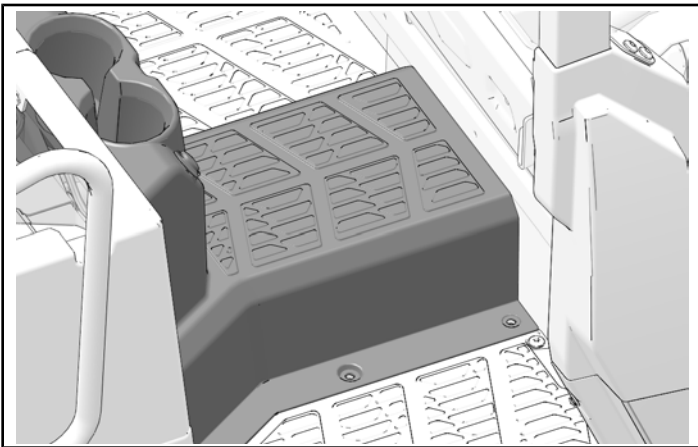
4. Remove and keep storage compartment from beneath seat.



5. Reach behind tunnel cover and disconnect 12 V connectors.

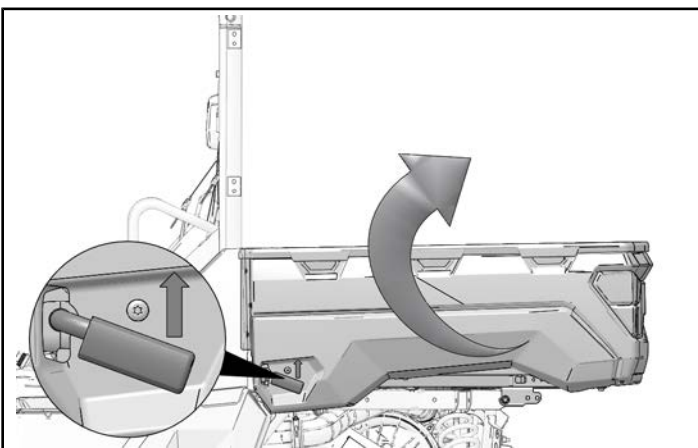


6. Remove tunnel cover from vehicle.



TILTING CARGO BOX

1. Pull upwards on cargo box lever to rotate cargo box upwards.



ACCESSORY INSTALLATION

SPEAKER INSTALLATION

1. Refer to instructions included with *Ride Command® Audio Kit*, P/N 2883956 to install speakers and amplifier before proceeding with Ride Command® Mount installation.

IMPORTANT

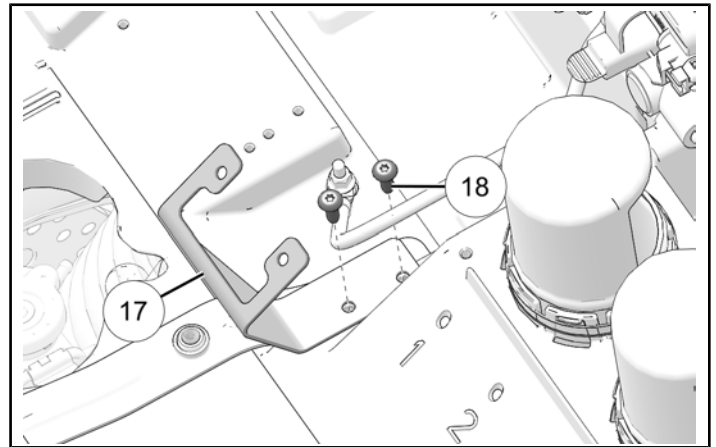
Do not install AM/FM antenna included with *Ride Command® Audio Kit*, P/N 2883956.

FUSE HOLDER INSTALLATION

1. Install fuse holder bracket (17) to vehicle with two screws (18). Torque two screws to specification.

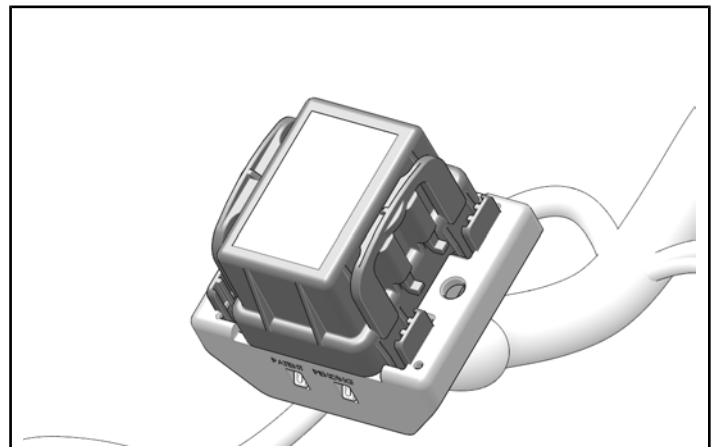
TORQUE

Fuse Bracket Screws (18):
17 in-lbs (2 N·m)



FUSE INSTALLATION

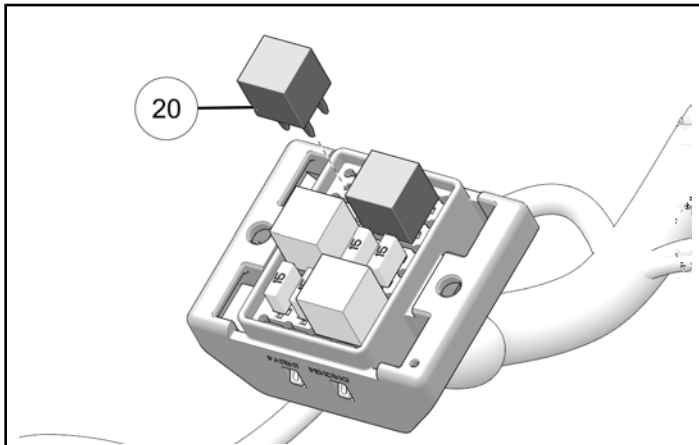
1. Remove and keep cap from fuse holder on Ride Command® mount harness.



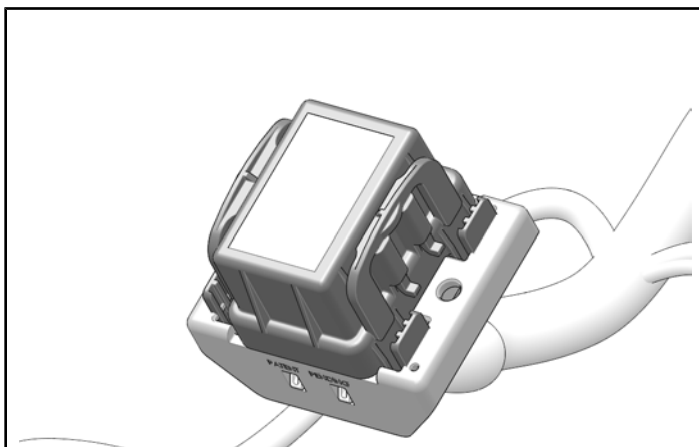
2. Install two fuses ⑳ into fuse holder.

TIP

Fuse location is not critical. Fuses will work in either location.



3. Install cap on fuse holder.

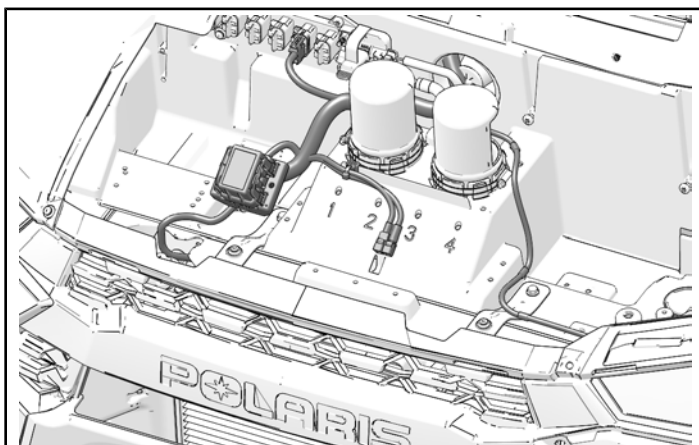


RIDE COMMAND® MOUNT HARNESS ROUTING

IMPORTANT

Route harness away from hot components, sharp edges, or moving parts. Use cable ties, as needed.

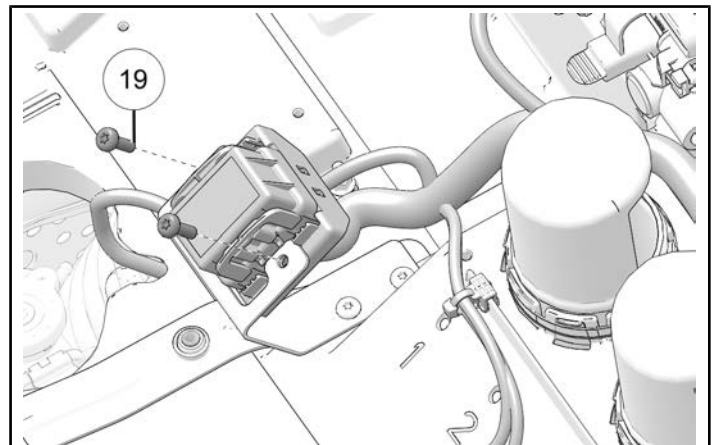
1. Put Ride Command® mount harness in vehicle.



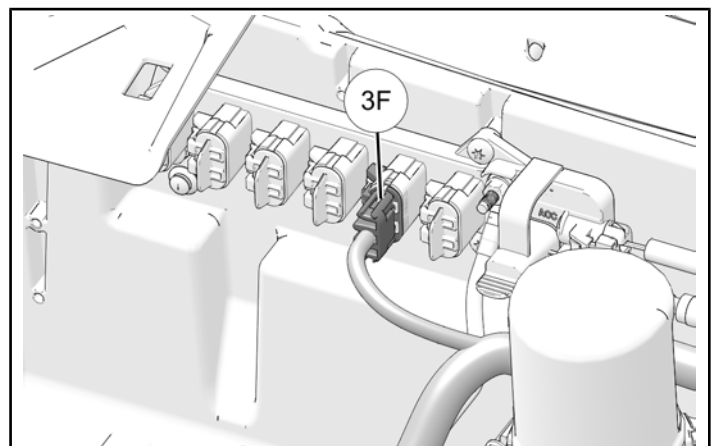
2. Install fuse holder to bracket with two screws ⑲. Torque two screws to specification.

TORQUE

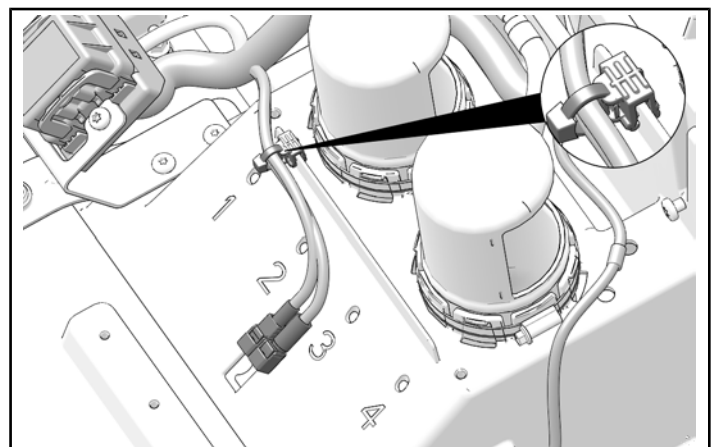
Fuse Holder Screws ⑲:
97 in-lbs (11 N·m)



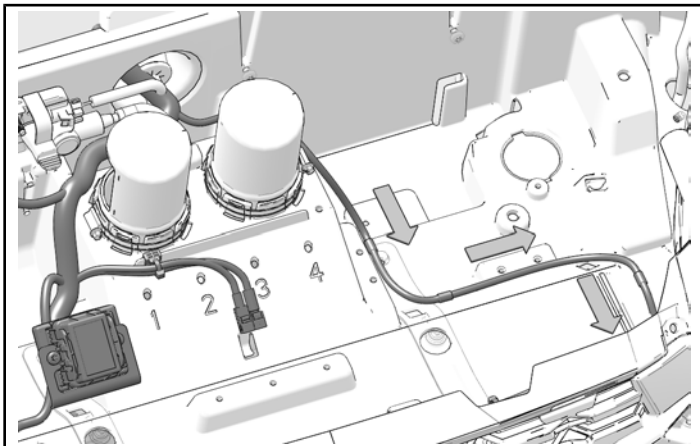
3. Remove plug from Polaris Pulse® bar and install power connector 3F into open location.



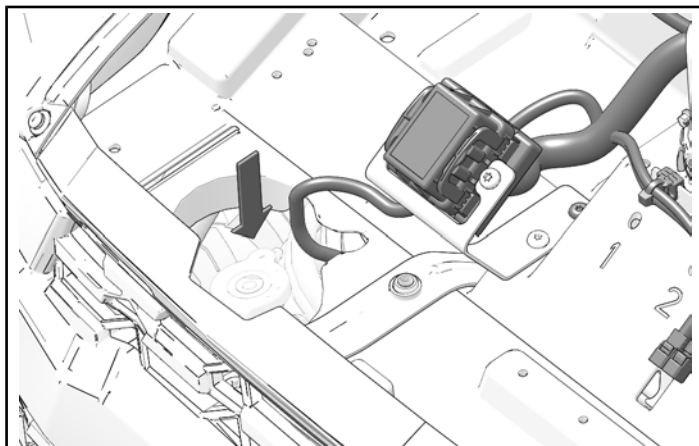
4. Route two V2V connectors in front of intake ducts and install to vehicle with one edge clip.



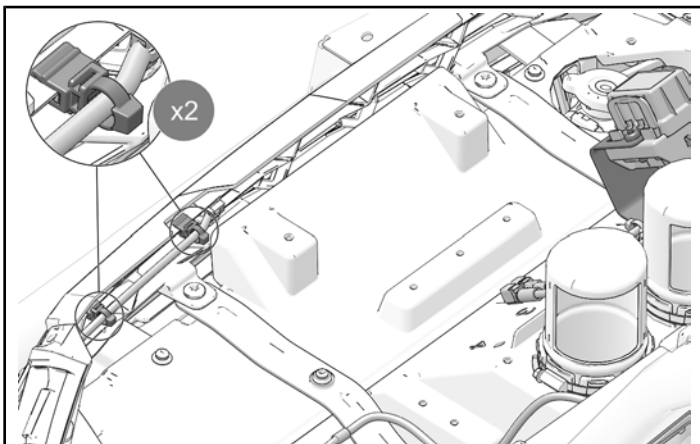
- Route harness, with front camera and air temperature sensor connectors, around rear of intake ducts and towards front of vehicle.



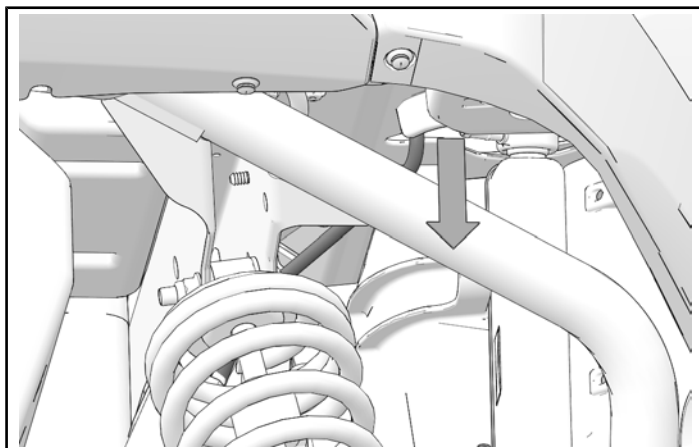
- Put rear camera connector and diagnostic connectors through opening located above passenger-side suspension.



- Route front camera connector along rear of front fascia panel and install with two edge clips.



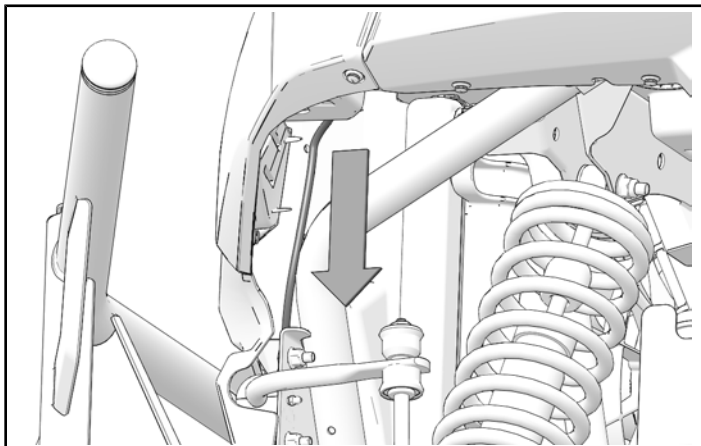
- Pull harness from opening.



- Pull excess harness and air temperature sensor connector down into driver-side wheel well.

NOTICE

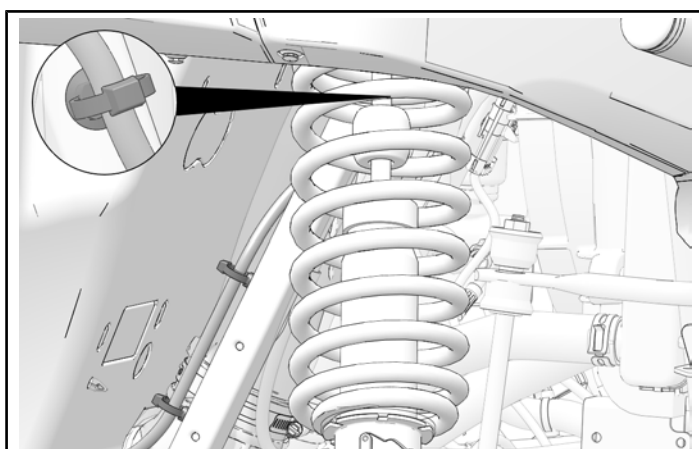
Installation of this connector will resume with ambient air temperature sensor installation.



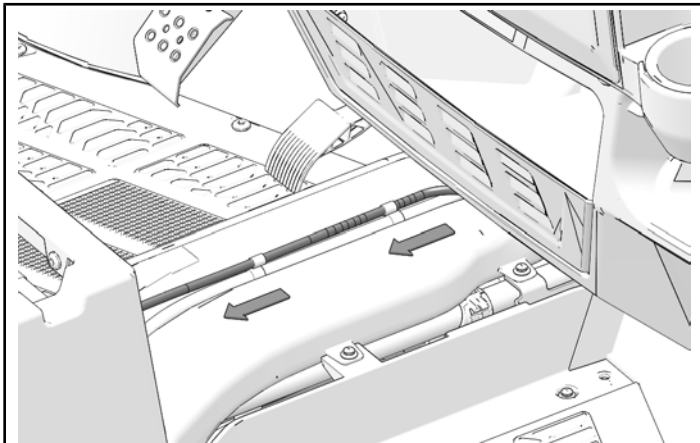
- Route rear camera connector and diagnostic connectors along chassis and attach with three push-darts.

NOTE

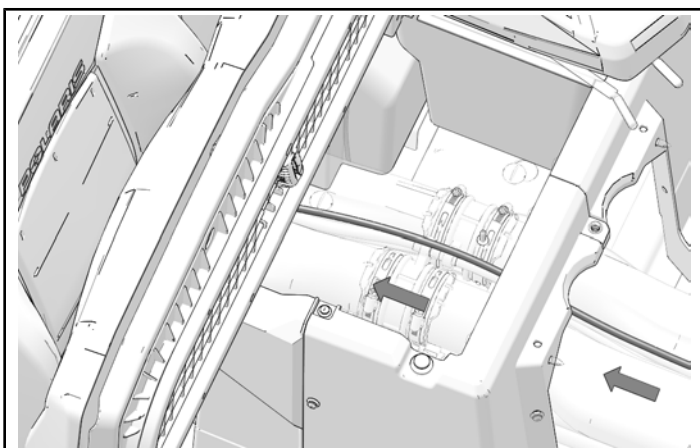
Keep the harness away from any moving suspension parts. Use extra zip ties if necessary.



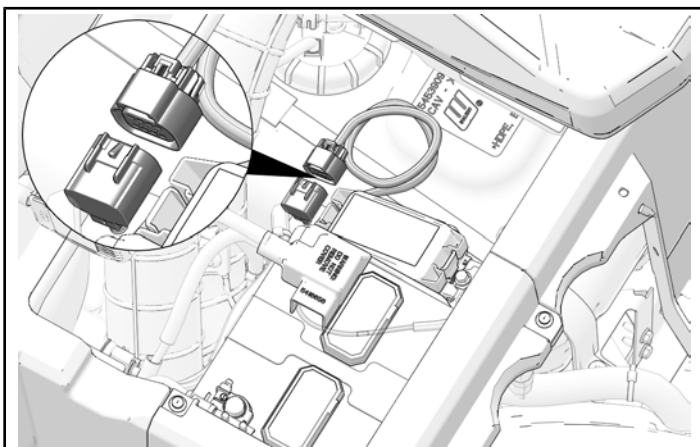
11. Put rear camera connector and diagnostic connectors through tunnel opening. Pull harness from tunnel opening and begin to route along chassis electrical harness. Attach with included cable ties, as needed.



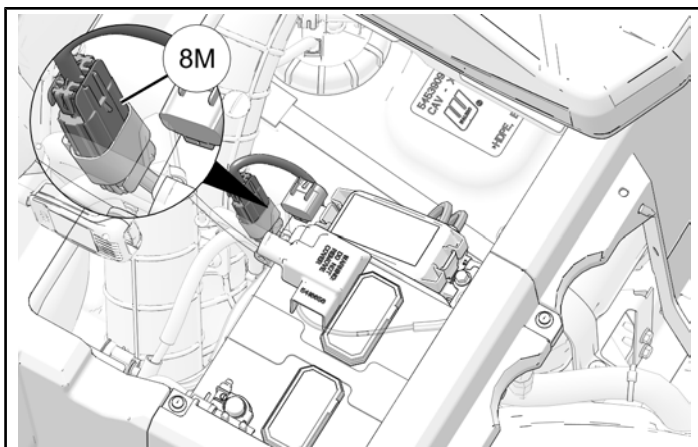
12. Crew Models Only: Route harness under front seat towards rear of vehicle. Attach with included cable ties, as needed.



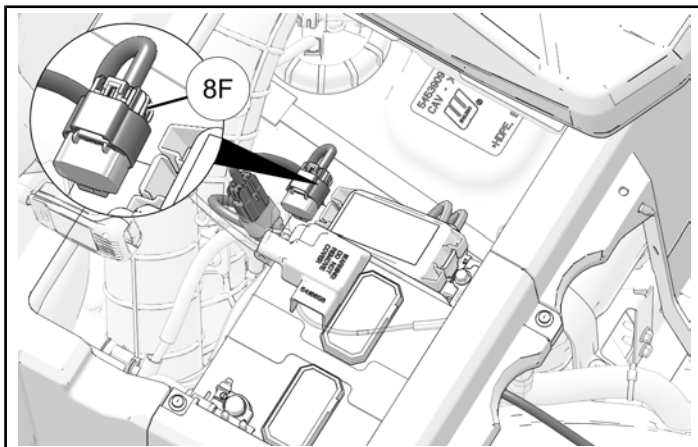
13. Locate and disconnect diagnostic connectors near battery.



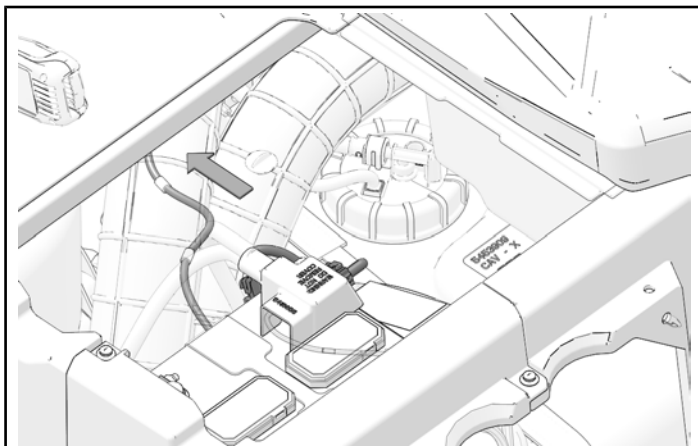
14. Install connector 8M to open connector.



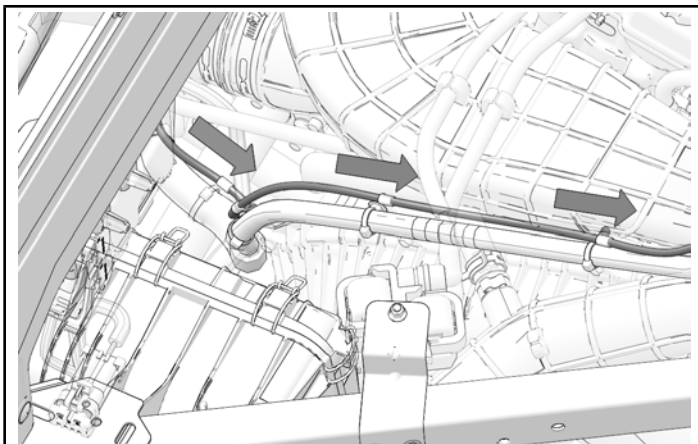
15. Install connector 8F into open cap.



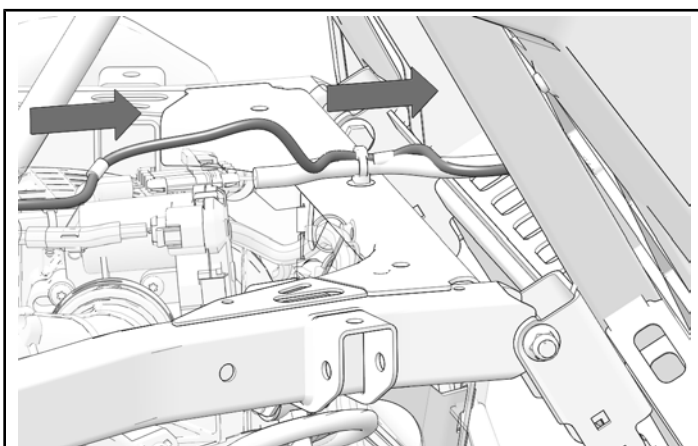
16. Route rear camera connector towards rear of vehicle. Attach with included cable ties, as needed.



17. Pull rear camera connector from battery compartment and route along chassis electrical harness. Attach with included cable ties, as needed.



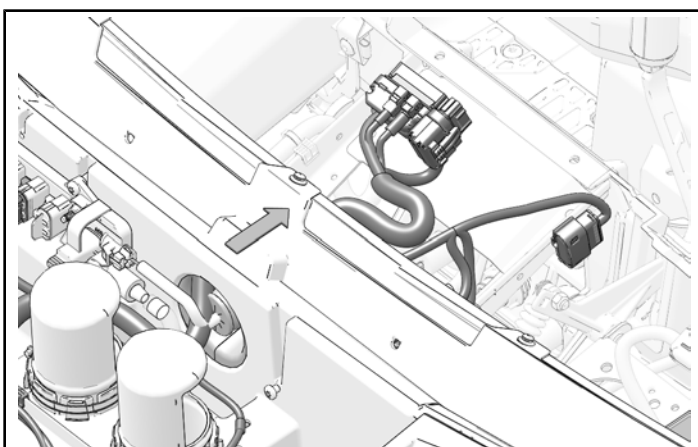
18. Route harness towards rear of vehicle. Attach with included cable ties, as needed.



19. Put remaining harness through firewall.

TIP

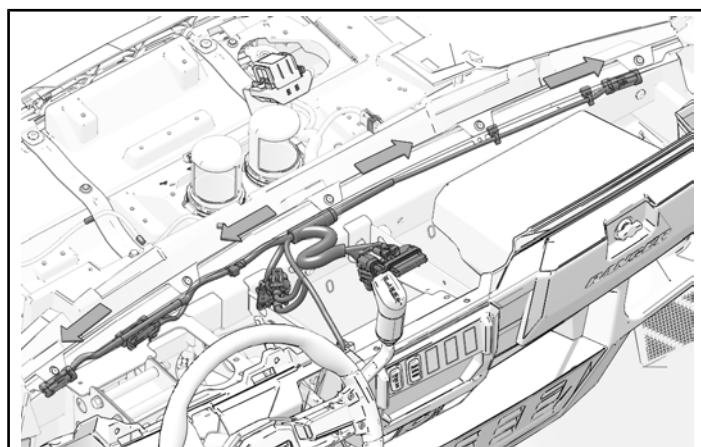
Firewall grommet may need to be modified in order to put harness connectors through it. If needed, carefully cut grommet from outer edge to the middle. Wrap grommet around harness, put connectors through firewall, and then install grommet in firewall.



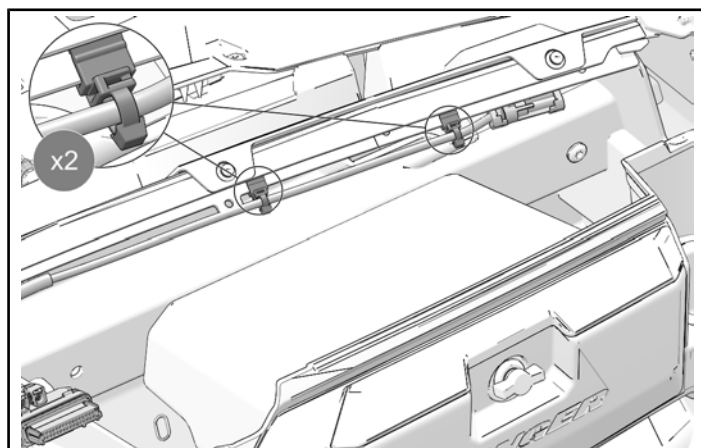
20. Route harness to the left and right of the vehicle, as shown.

TIP

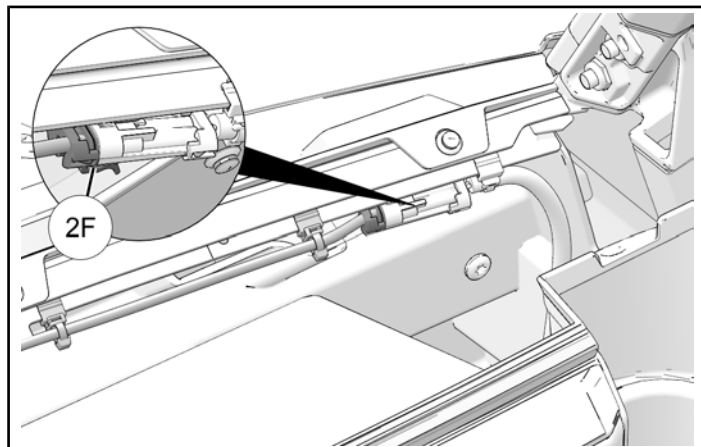
Route the longer end of the harness towards the passenger side.



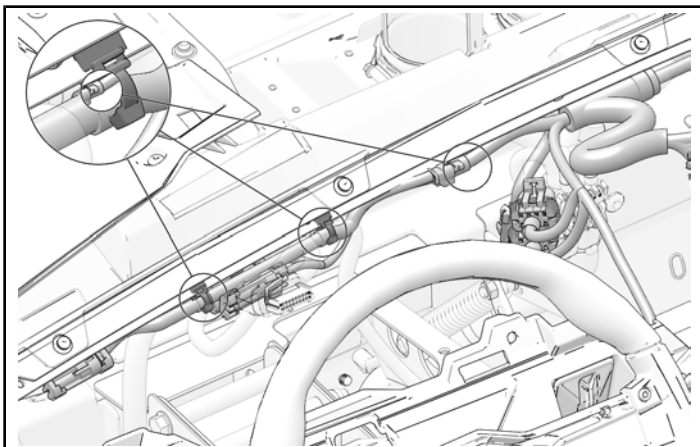
21. Install the harness to the vehicle with two edge clips.



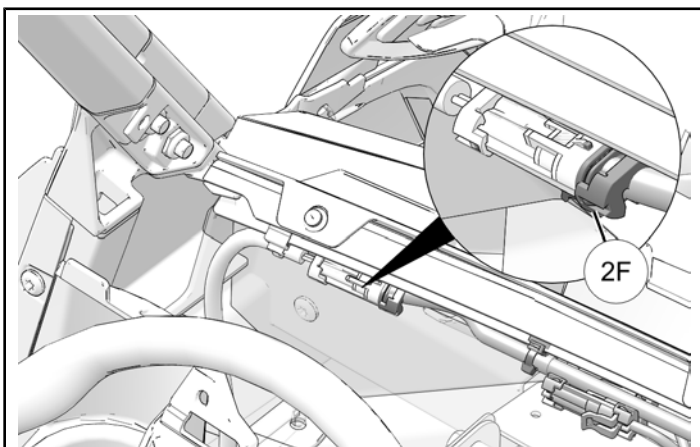
22. Connect speaker (if equipped) to Ride Command® mount harness connector **2F**.



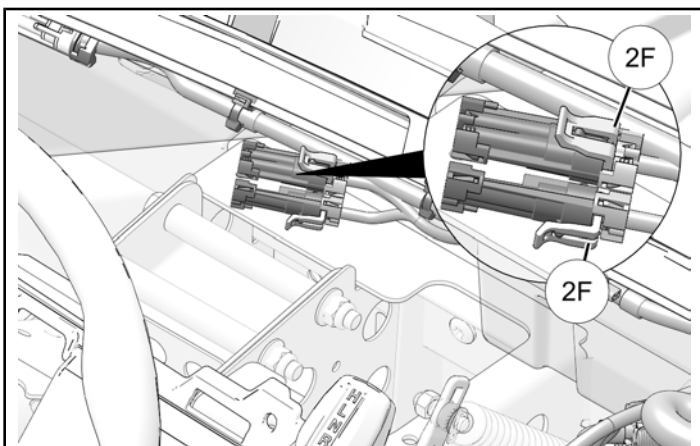
23. Install the harness to the vehicle with edge clips.



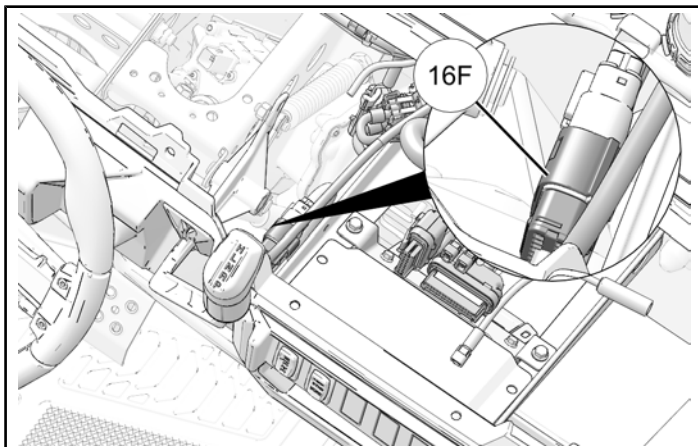
24. Connect speaker (if equipped) to Ride Command® mount harness connector **2F**.



25. Optional: Remove caps and install connectors **2F** and **2F** to accessory door audio harness, roof audio harnesses, splitter harness, etc. (sold separately).



26. Install connector **16F** to amplifier (if equipped).

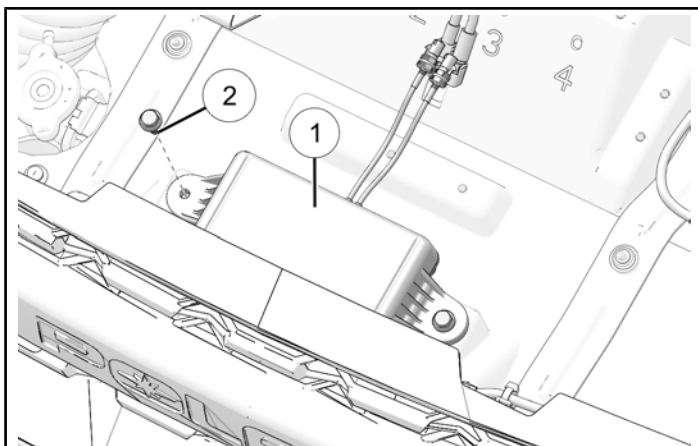


VEHICLE-TO-VEHICLE GPS ANTENNA INSTALLATION

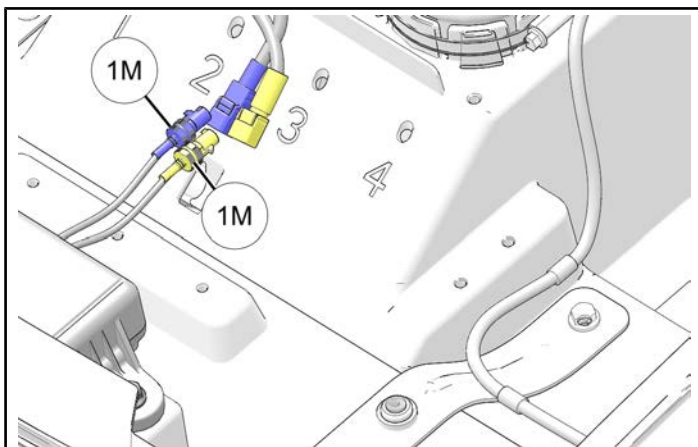
1. Install V2V GPS antenna ① to vehicle with two screws ②. Torque two screws to specification.

TORQUE

V2V GPS Antenna Screws ①:
97 in-lbs (11 N·m)



2. Connect blue connector **1F** and gold connector **1F** from Ride Command® audio harness to corresponding connectors on antenna.



AM/FM ANTENNA INSTALLATION: MODEL YEAR 2022 AND NEWER

1. Clean underside of driver side outer hood with a soft cloth and isopropyl alcohol.

CAUTION

Isopropyl alcohol is hazardous to your health. See isopropyl alcohol packaging for proper handling instructions, including recommended personal protective equipment such as goggles and chemical resistant gloves.

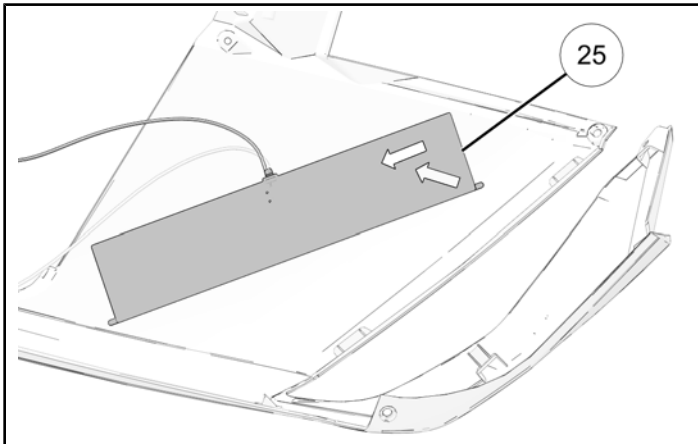
2. Remove adhesive backing from antenna.
3. Attach AM/FM antenna 25 to underside of driver side outer hood. Starting from one corner of the antenna, carefully press the antenna, working outward, onto the underside of the outer hood, as shown.

IMPORTANT

DO NOT attach the entire antenna onto the outer hood as a single unit. To prevent air bubbles and poor adhesion, slowly press the antenna onto the underside of the outer hood.

TIP

Use fingers or heel of hand to put pressure on antenna.

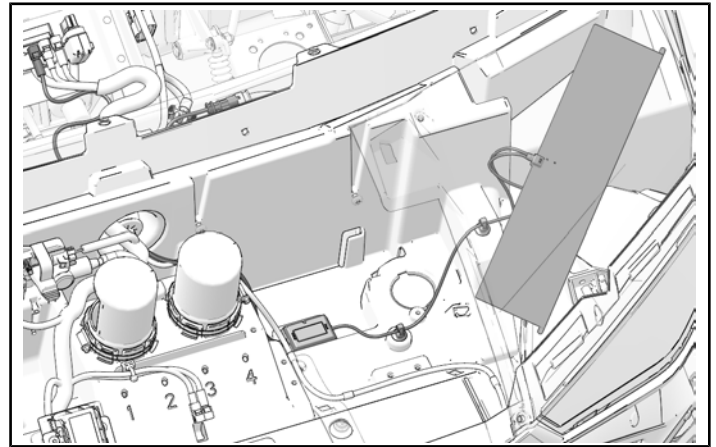


4. Set outer hood with antenna attached onto vehicle.

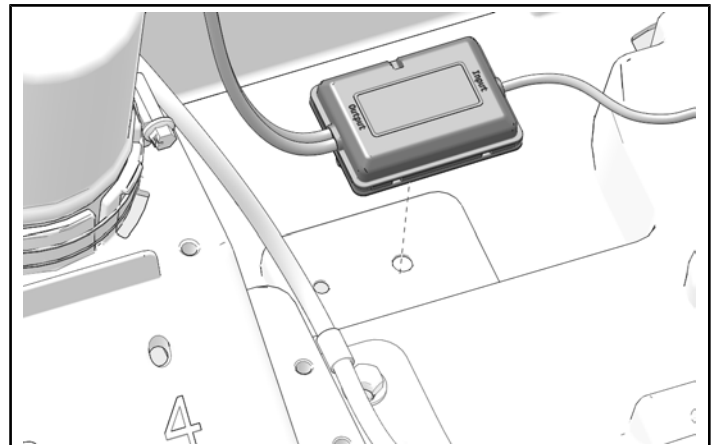
5. Put antenna receiver box into vehicle, next to intake vent.

NOTICE

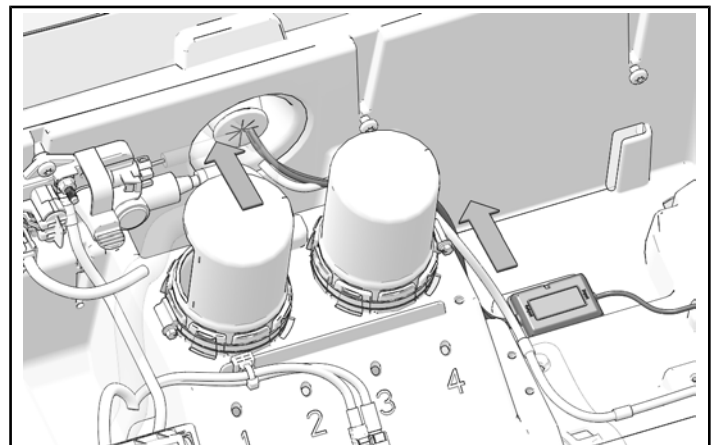
Outer hood hidden for clarity.



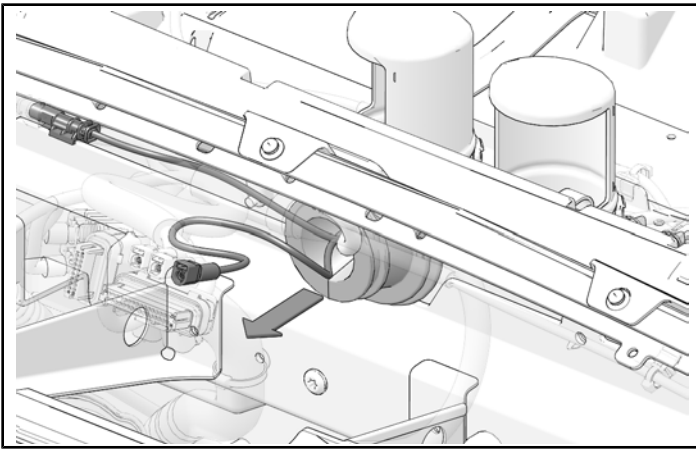
6. Install antenna receiver box into install hole on front floor panel.



7. Install harness through grommet on upper front floor panel.



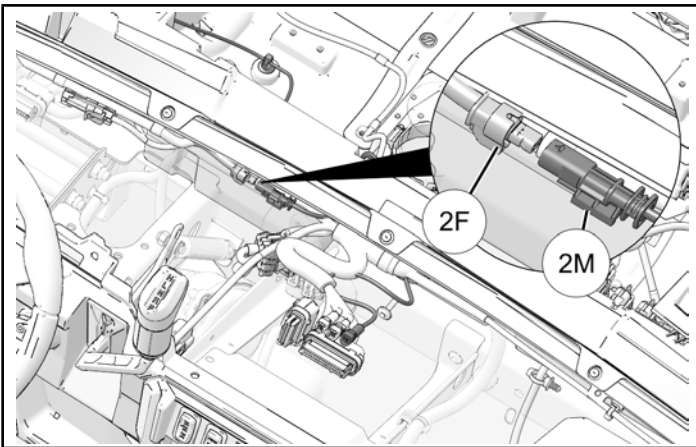
8. Pull connectors through grommet.



9. Install connector **2M** on antenna harness to connector **2F** on Ride Command® audio harness.

NOTICE

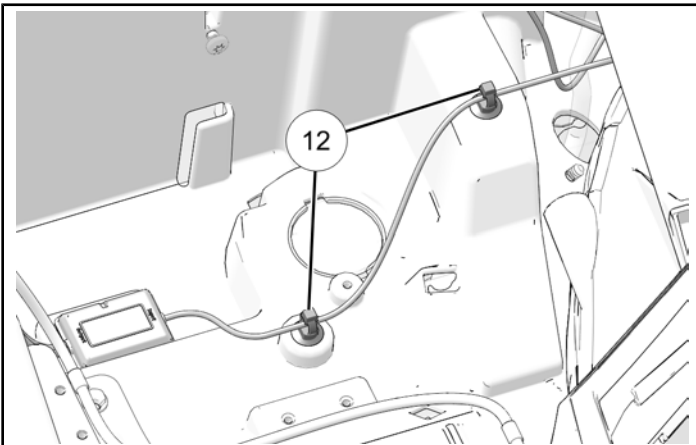
Remaining connector will be installed to Ride Command® display later.



10. Install antenna harness to vehicle with two attached push darts **12**, as shown.

NOTICE

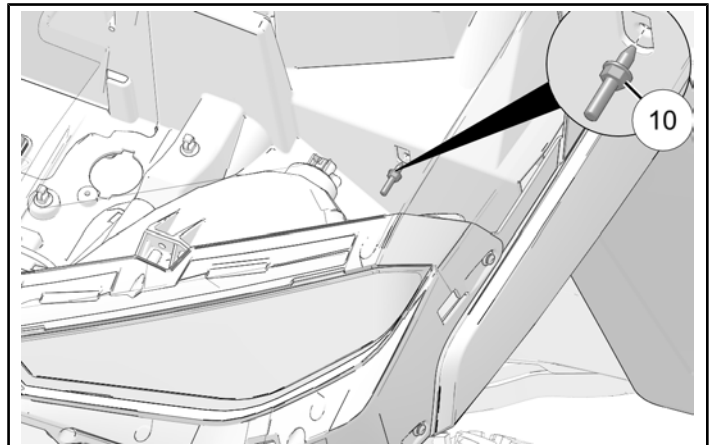
Outer hood hidden for clarity.



11. Locate hole in front floor panel and install stud **10** to vehicle chassis. Torque to specification.

TORQUE

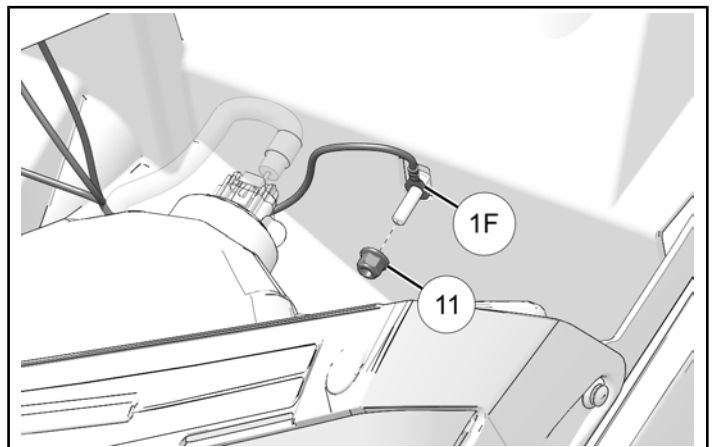
Ground Stud **10**:
88 in-lbs (10 N·m)



12. Install ring terminal **1F** over stud and install with one nut **11**. Torque to specification.

TORQUE

Ground Stud Nut **11**:
88 in-lbs (10 N·m)



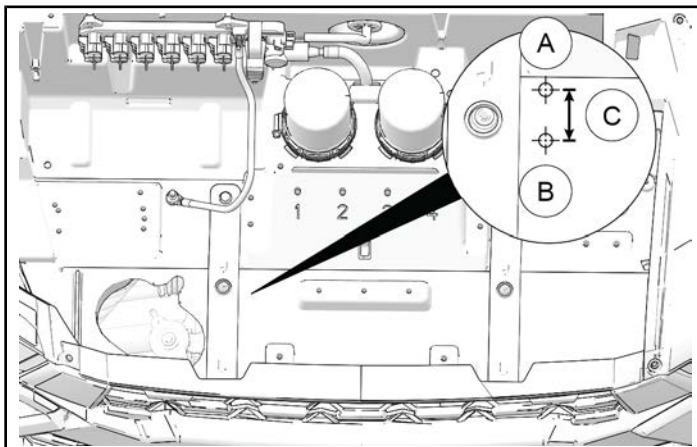
AM/FM ANTENNA INSTALLATION: MODEL YEAR 2021 AND OLDER

1. Mark two holes, **1-7/64 in (28 mm)** apart (center to center), on hood liner for AM/FM module.

MEASUREMENT
measurement Measurement (A): 13/64 in (5 mm)

MEASUREMENT
measurement Measurement (B): 1/4 in (6.5 mm)

MEASUREMENT
measurement Measurement (C): 1-7/64 in (28 mm)



2. Carefully drill each hole.

IMPORTANT
Important
Use extreme caution during drill process and control drill depth to prevent damage to any underlying components.

MEASUREMENT
measurement Measurement (A): 13/64 in (5 mm)

MEASUREMENT
measurement Measurement (B): 1/4 in (6.5 mm)

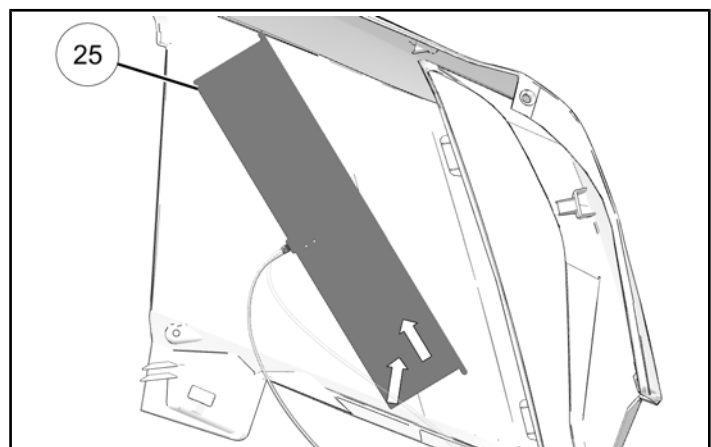
3. Clean underside of passenger side outer hood with a soft cloth and isopropyl alcohol.

⚠ CAUTION
Isopropyl alcohol is hazardous to your health. See isopropyl alcohol packaging for proper handling instructions, including recommended personal protective equipment such as goggles and chemical resistant gloves.

4. Remove adhesive backing from antenna.
5. Attach AM/FM antenna (25) to underside of passenger side outer hood. Starting from one corner of the antenna, carefully press the antenna, working outward, onto the underside of the outer hood, as shown.

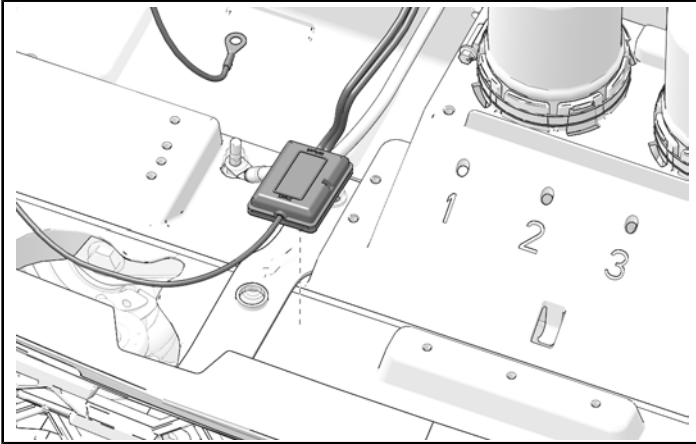
IMPORTANT
DO NOT attach the entire antenna onto the outer hood as a single unit. To prevent air bubbles and poor adhesion, slowly press the antenna onto the underside of the outer hood.

TIP
Use fingers or heel of hand to put pressure on antenna.

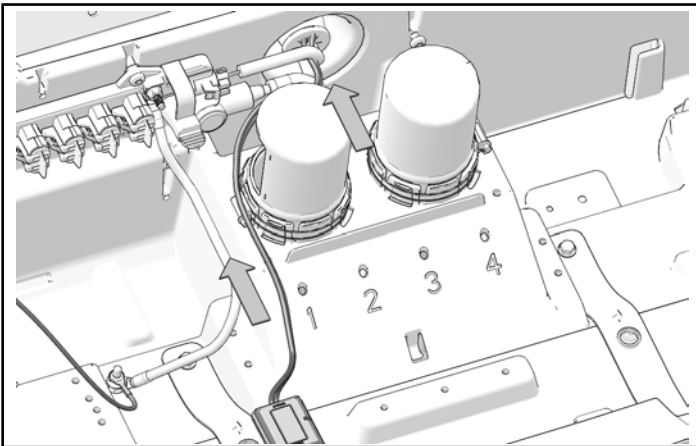


6. Set outer hood with antenna attached onto vehicle.

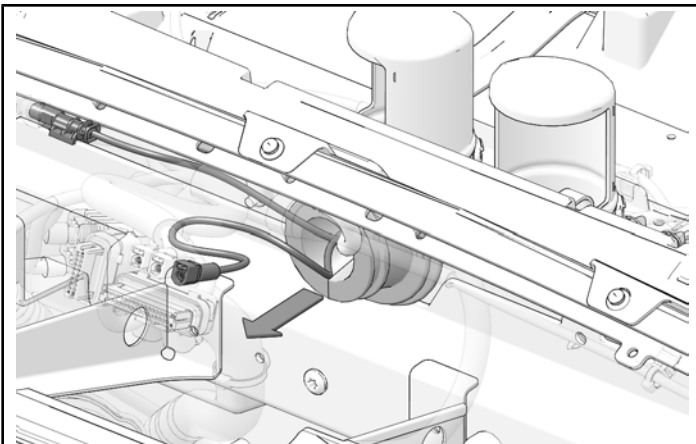
7. Put main module into vehicle, in front of intake vent. Press down until push-darts engage with vehicle plastic.



8. Route harness (end with two connectors) through firewall grommet.



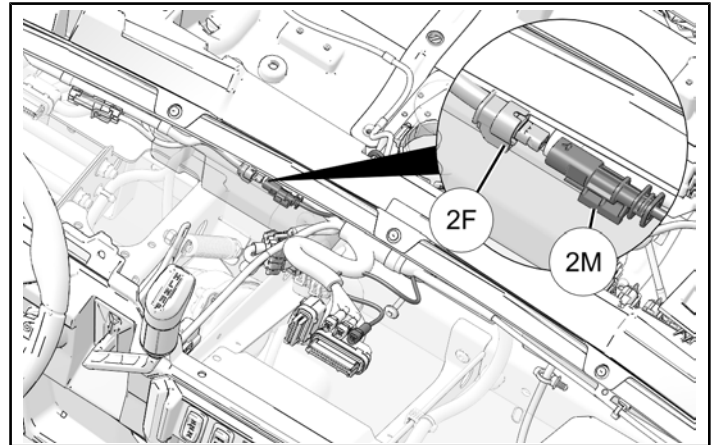
9. Pull connectors from firewall grommet.



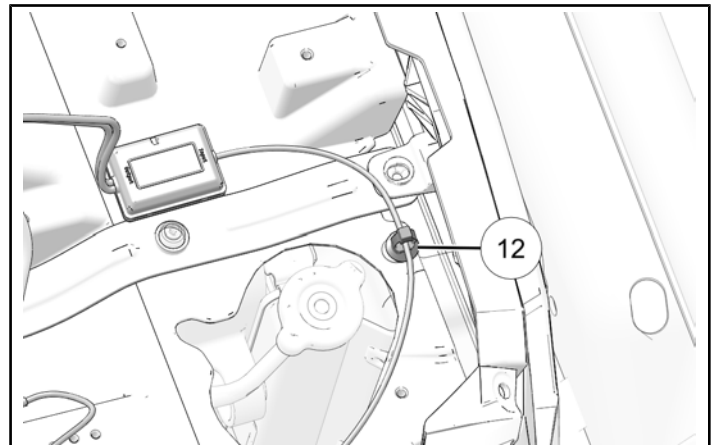
10. Install connector **2M** of antenna harness to connector **2F** of Ride Command® audio harness.

NOTICE

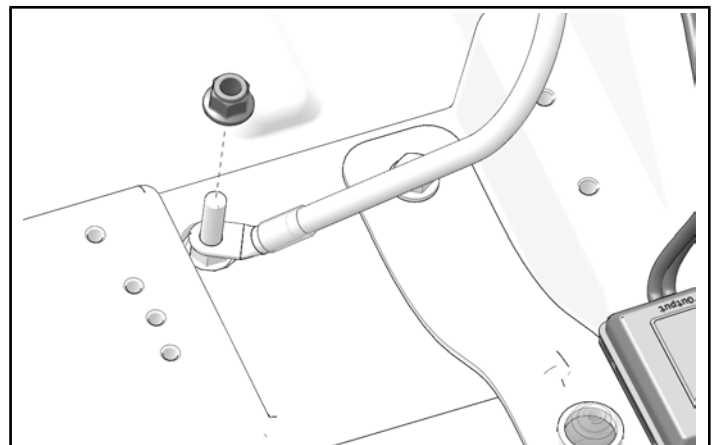
Remaining connector will be installed to Ride Command® display later.



11. Install antenna harness with two attached push darts, as shown.



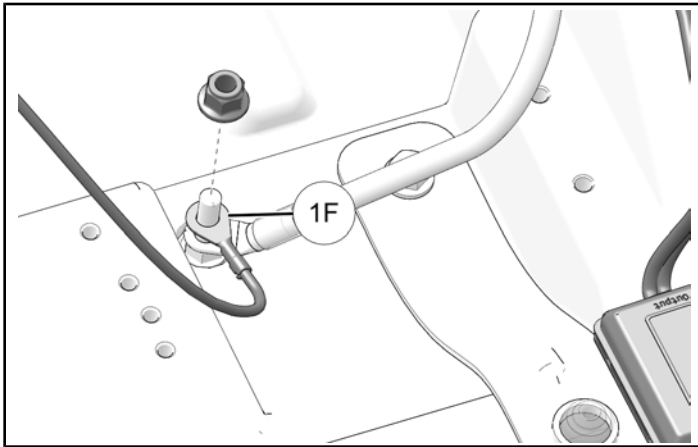
12. Remove one nut from ground stud on hood liner.



- Put ring terminal 1F over stud and install with one retained nut. Torque nut to specification.

TORQUE

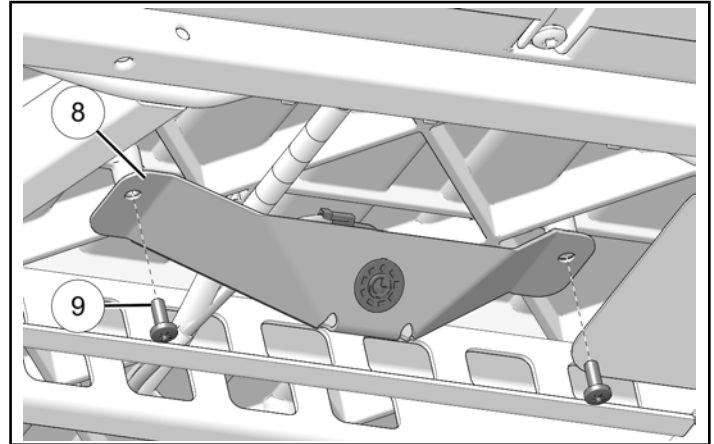
Ground Stud Nut:
88 in-lbs (10 N·m)



- Align rear camera mount (8) with bosses on underside of cargo box and install with two screws (9). Torque two screws to specification.

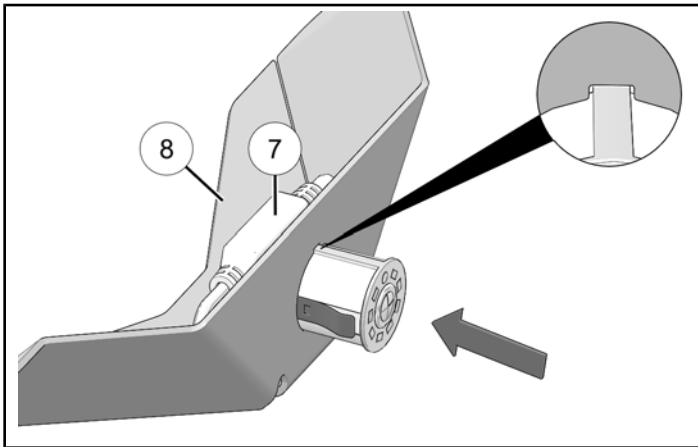
TORQUE

Rear Camera Mount Screws (9):
17 in-lbs (2 N·m)

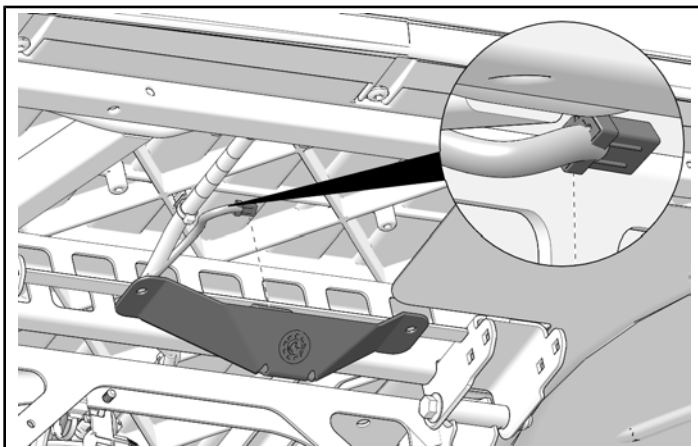


REAR CAMERA INSTALLATION

- Put rear camera (7) (ring of LED lamps on perimeter) into rear camera bracket (8). Push camera until two locking clips snap into place.



- Locate rear camera connector and remove cap (if equipped). Connect rear camera to harness.

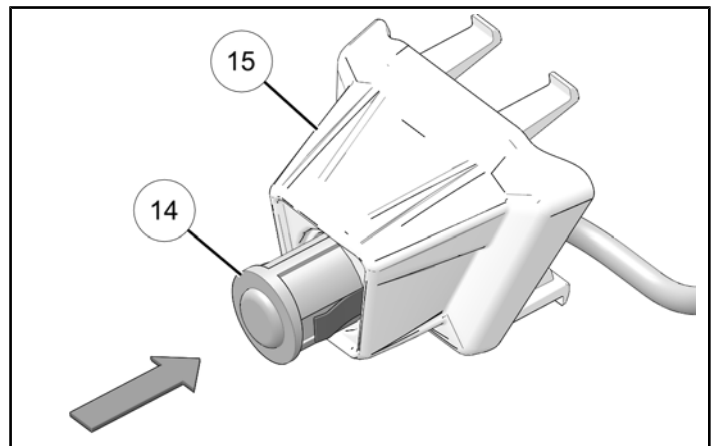


FRONT CAMERA INSTALLATION

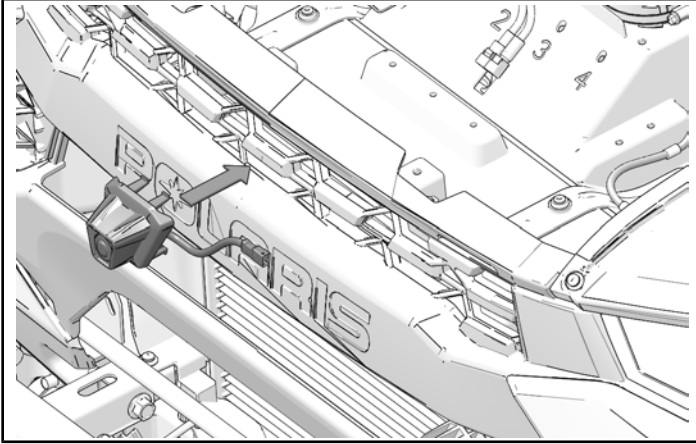
NOTICE

Camera mount (15) shown; camera mount (16) similar.

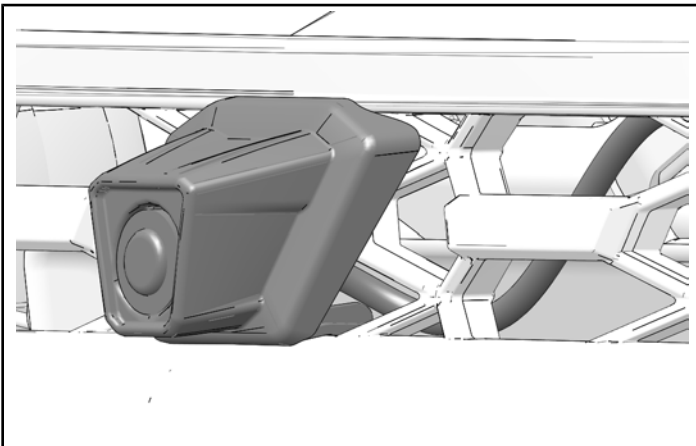
- Put rear camera (14) into front camera bracket (15). Push camera until two locking clips snap into place.



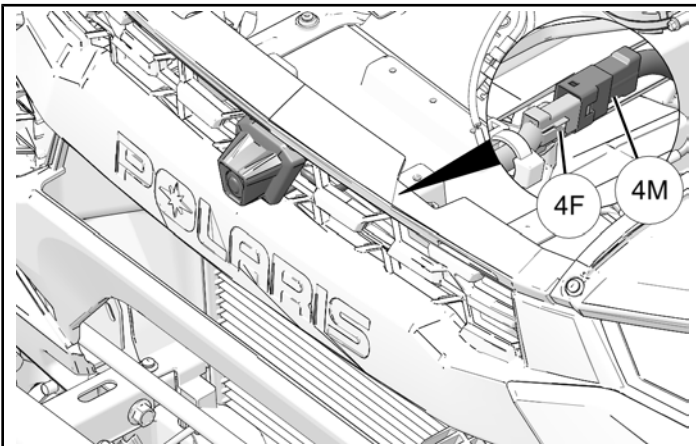
- Align camera mount with center of grille. Make sure camera harness goes through the grille and is accessible from the other side.



- Push camera mount until all the tabs lock onto the grille.

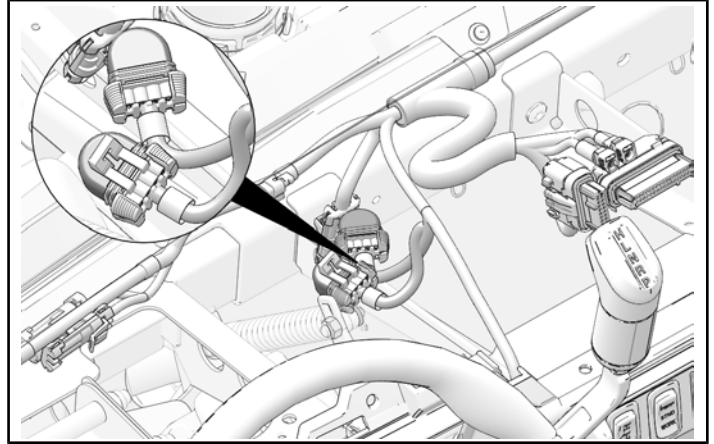


- Connect camera connector **4M** to Ride Command® audio harness connector **4F**.

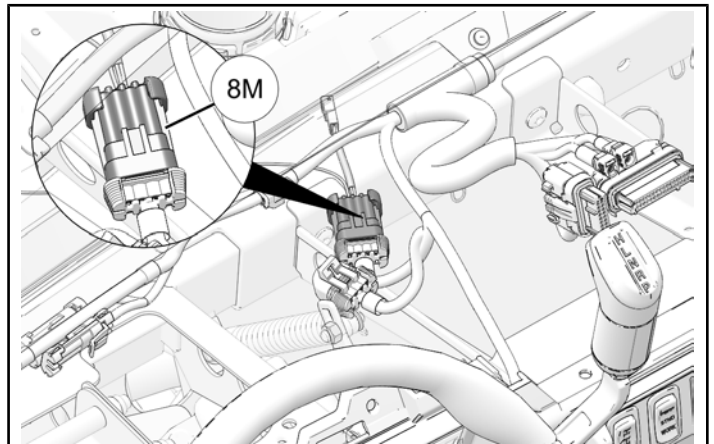


AUDIO ADAPTER HARNESS INSTALLATION

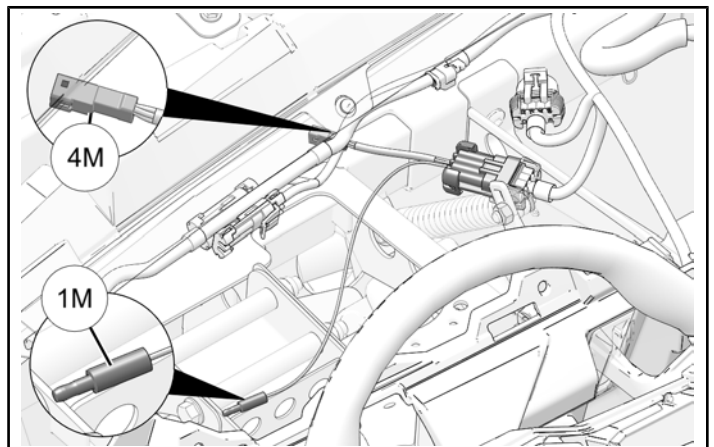
- Remove cap(s) from connector on Ride Command® mount harness.



- Install audio adapter harness connector **8M** to Ride Command® mount harness.

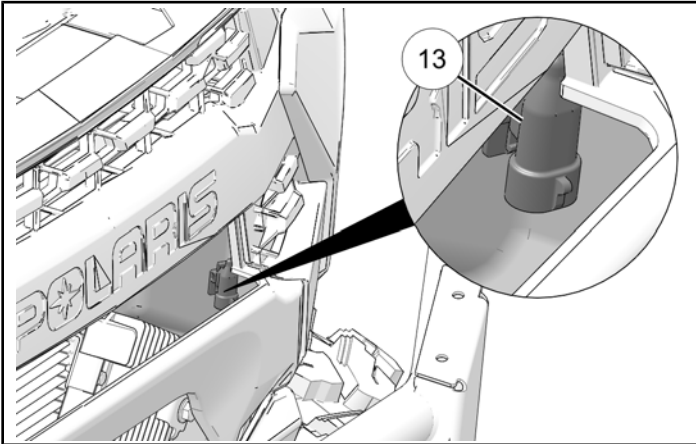


- Install audio adapter harness connectors **1M** and **4M** to corresponding connectors on audio accessory (sold separately).

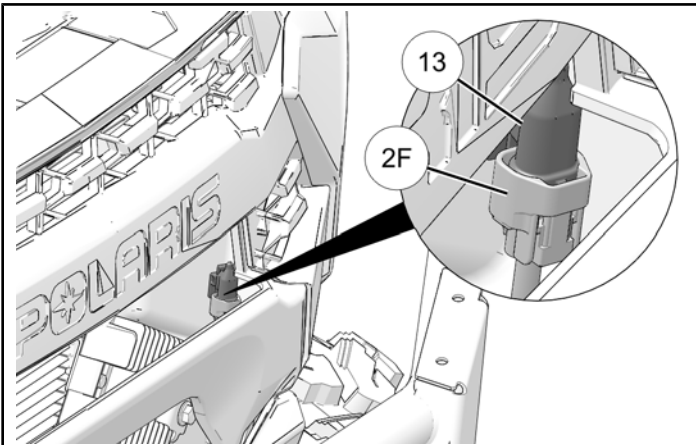


AMBIENT AIR TEMPERATURE SENSOR INSTALLATION

1. Install ambient air temperature sensor ⑬ to radiator shroud.

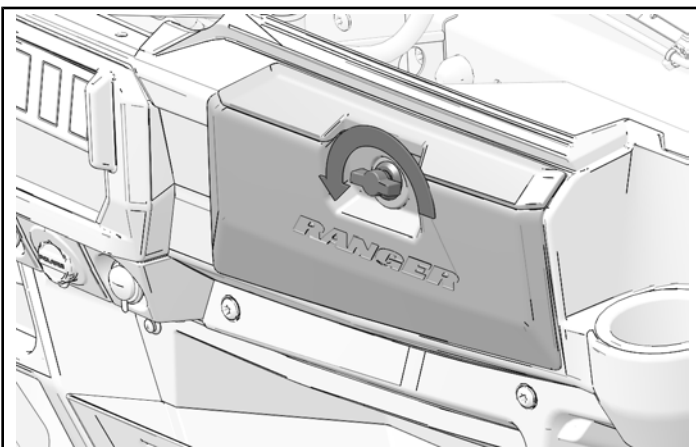


2. Install Ride Command® audio harness connector 2F to sensor ⑬.



USB HARNESS INSTALLATION

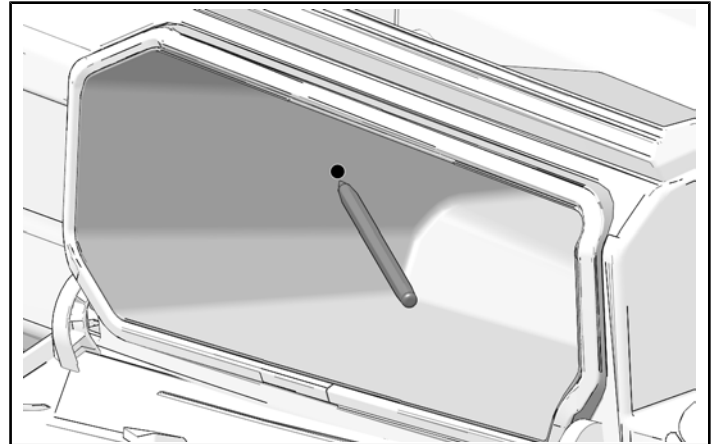
1. Turn knob and open dashboard storage compartment.



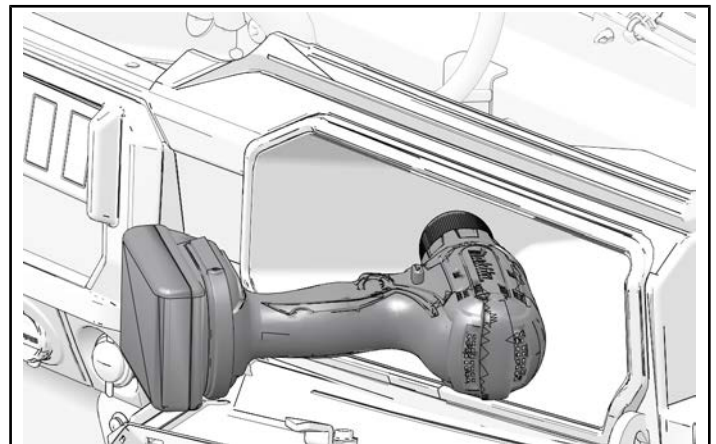
2. Mark inside of storage compartment where hole will be drilled.

TIP

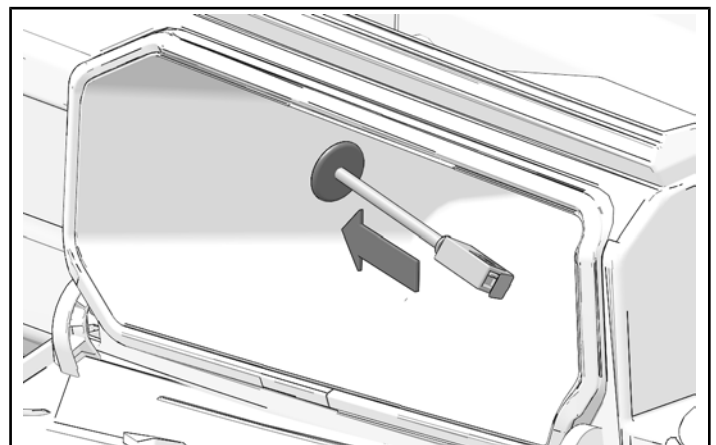
Location is not critical but make sure USB harness can reach Ride Command® display location and that there are not any vehicle components, wiring, lines/hoses/ducts, etc. on the opposite side of the drilling location.



3. Drill one 7/8 in (22 mm) hole in storage compartment.



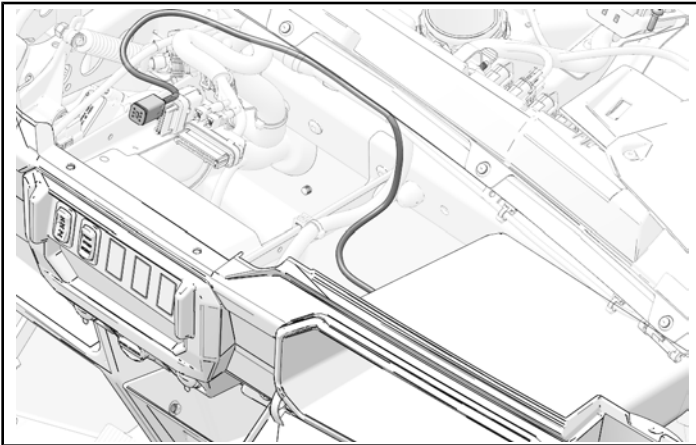
4. Put USB harness through drilled hole. Make sure grommet is fully seated in hole.



5. Route USB harness along firewall towards driver's side. Use cable ties, as needed.

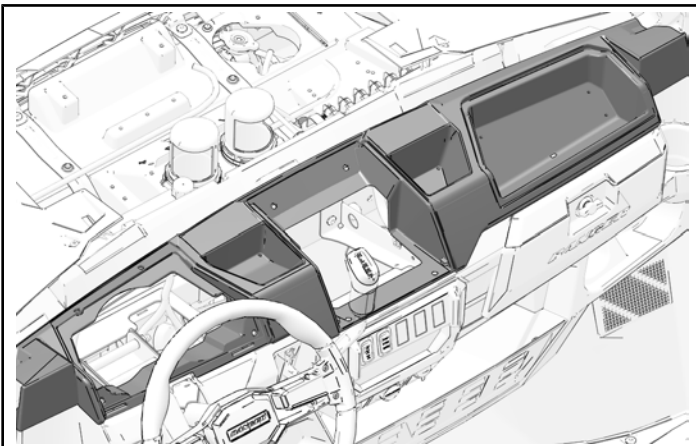
TIP

USB connector will be installed to the back of the Ride Command® display later.



DASHBOARD INSTALLATION

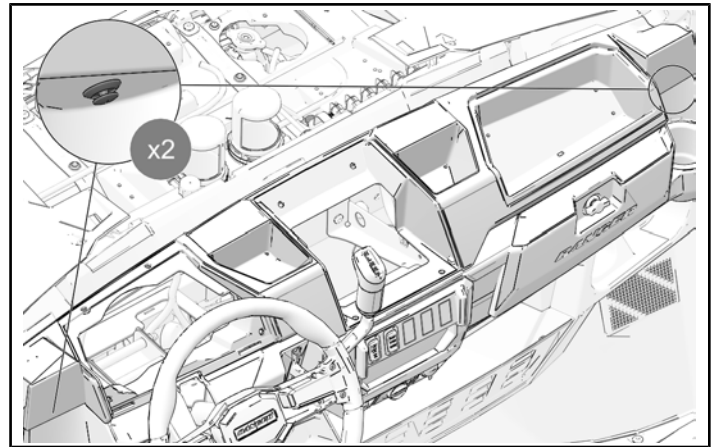
1. Put upper dashboard in vehicle.



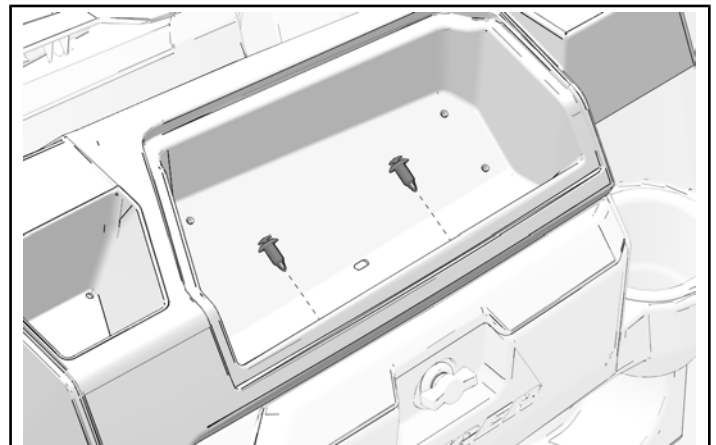
2. Install upper dashboard with two retained push-pin rivets.

TIP

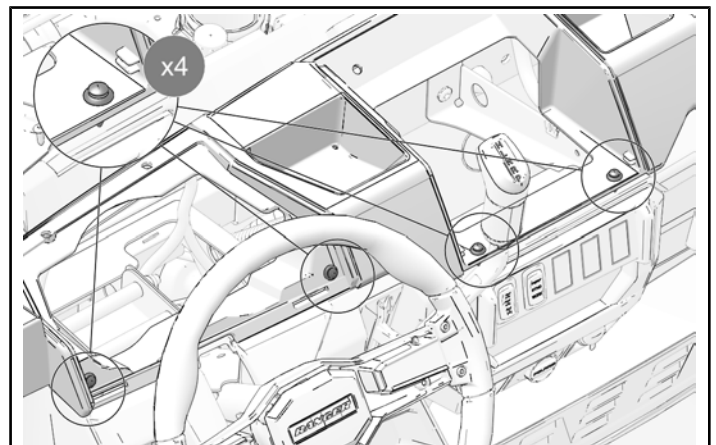
Push-pin rivets are installed above side cup holders.



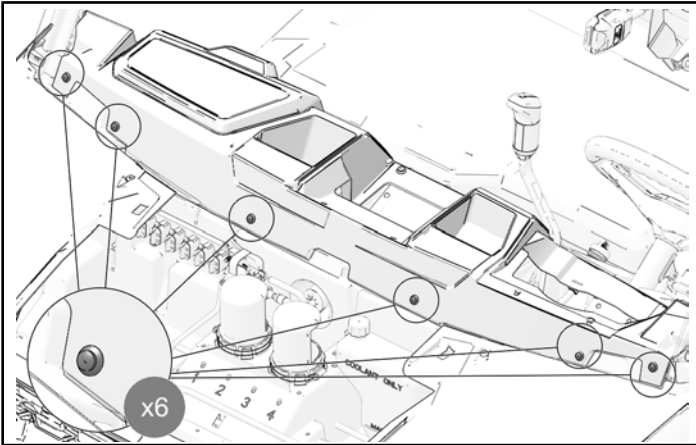
3. Install two retained push-pin rivets on passenger's side of upper dashboard.



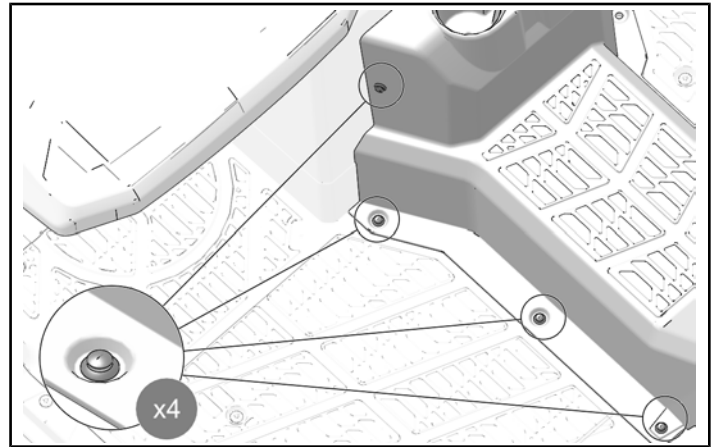
4. Install four retained push-pin rivets on driver's side of upper dashboard.



5. Install front of upper dashboard with six retained push-pin rivets.



2. Install the right side with four retained push-pin rivets.



VEHICLE REASSEMBLY

GENERAL

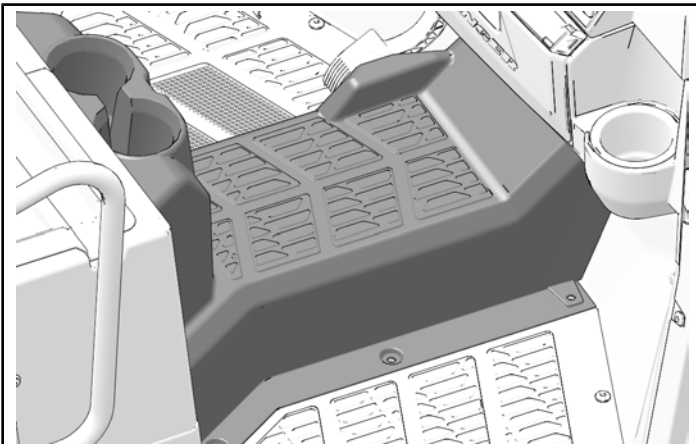
1. Turn vehicle on and verify audio works. Refer to Ride Command® manual for operation.

IMPORTANT

Ride Command® operating system must be updated prior to use.

TUNNEL COVER INSTALLATION

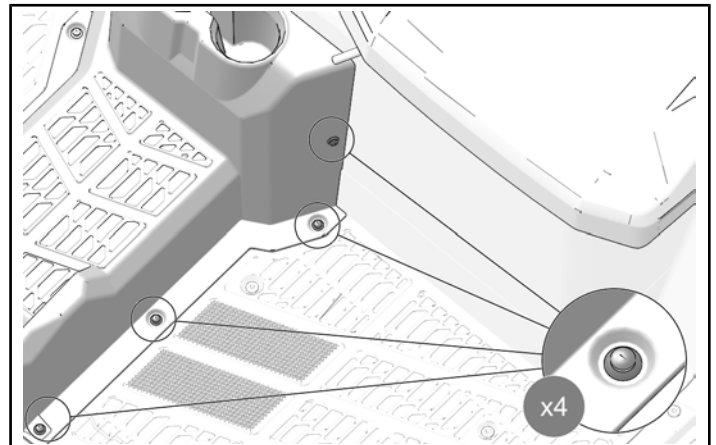
1. Put the tunnel cover in the vehicle.



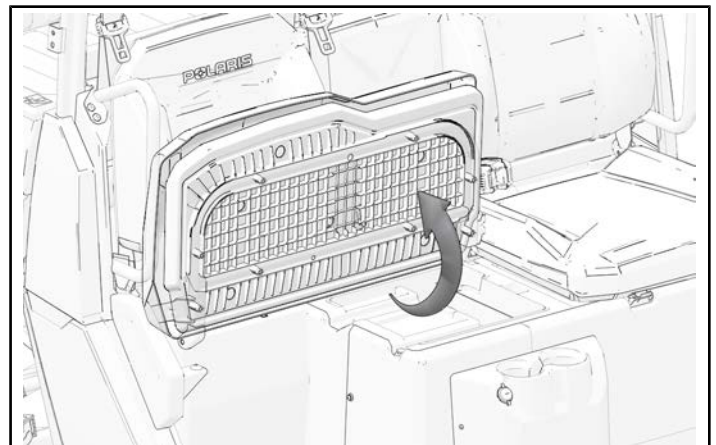
3. Install the left side with four retained push-pin rivets.

NOTE

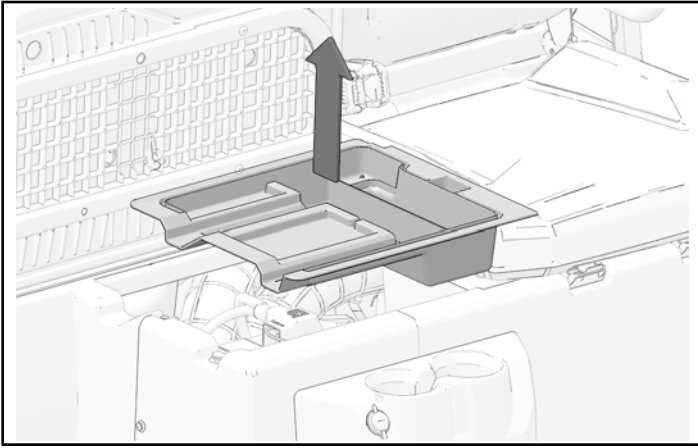
There are two push pin rivets located under the seat.



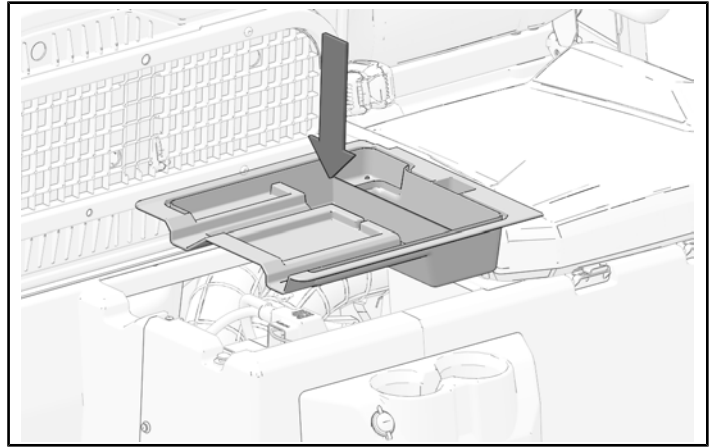
4. Rotate seat to the up position.



5. Remove and keep storage compartment from beneath seat.

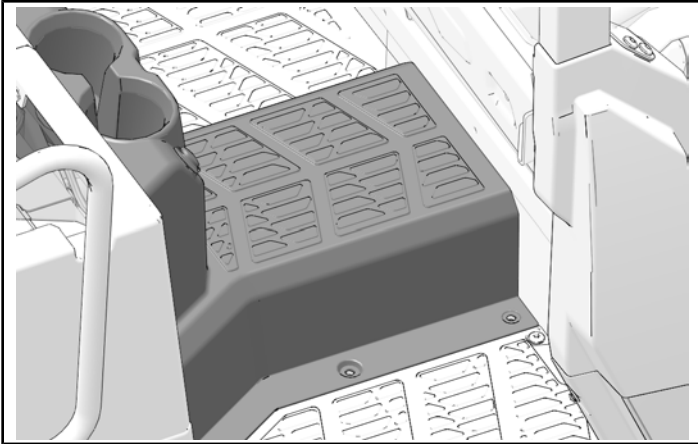


3. Put storage compartment in opening beneath seat.

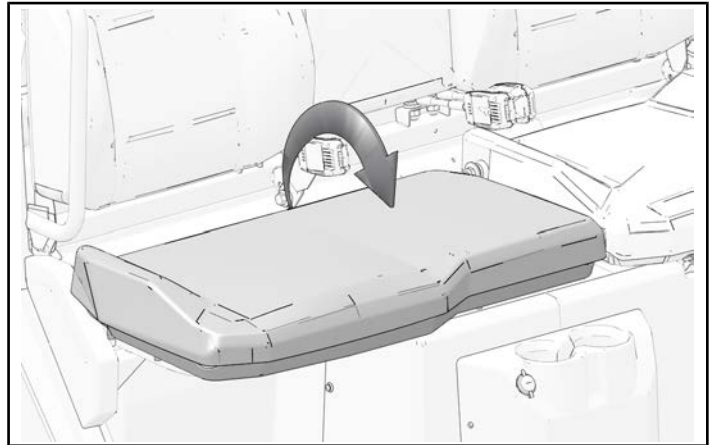


REAR TUNNEL COVER INSTALLATION

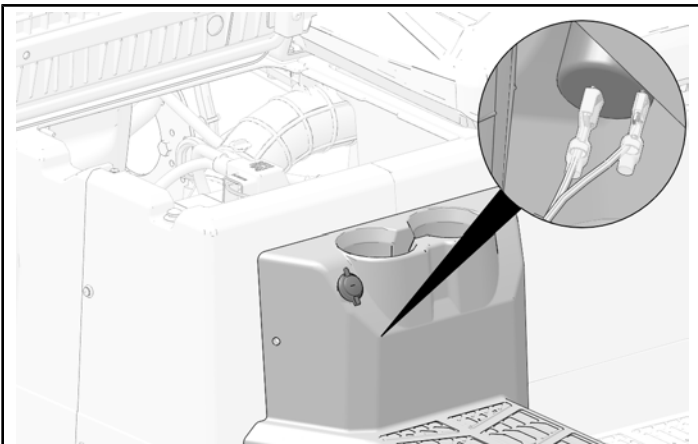
1. Put tunnel cover in vehicle.



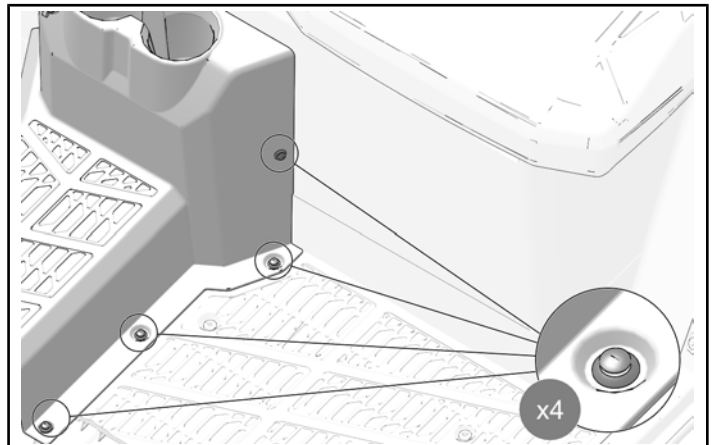
4. Rotate seat to the down position.



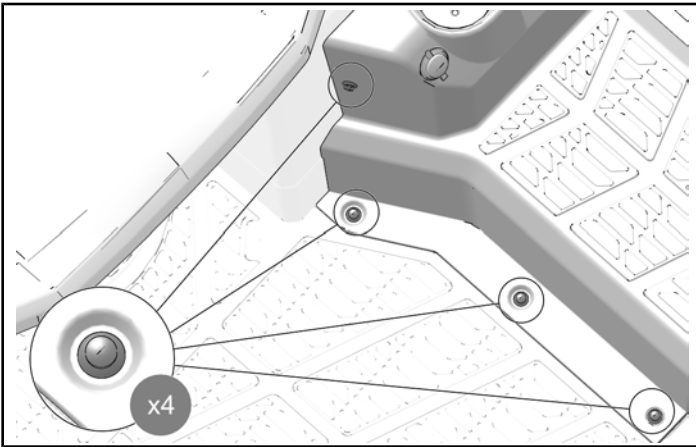
2. Reach behind tunnel cover and connect 12 V connectors.



5. Install tunnel cover with four retained push-pin rivets.

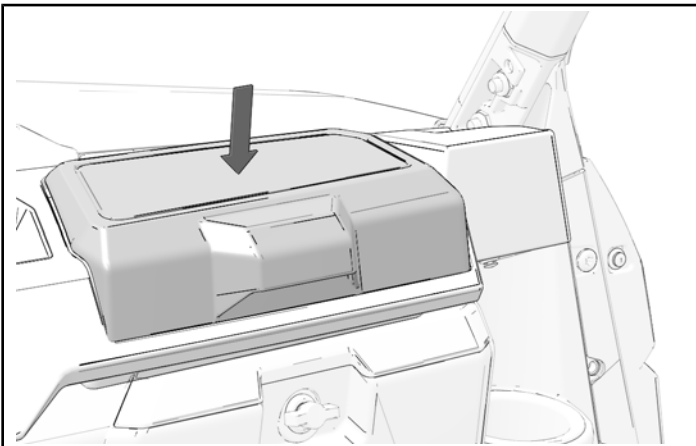


6. Install tunnel cover with four retained push-pin rivets.

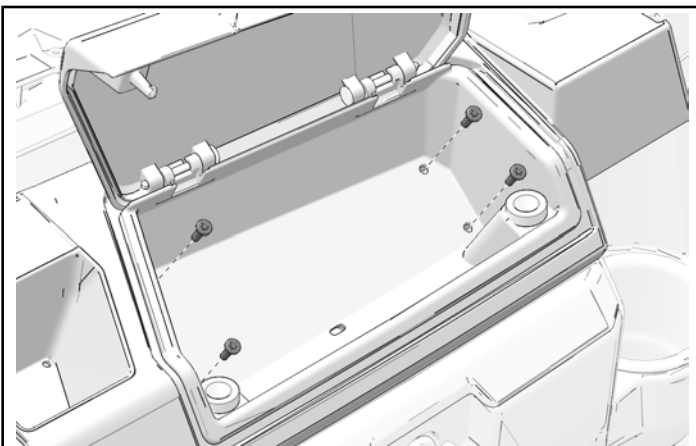


DASHBOARD STORAGE INSTALLATION

1. Put storage compartment in dashboard.



2. Install storage compartment to dashboard with four retained screws snugly.

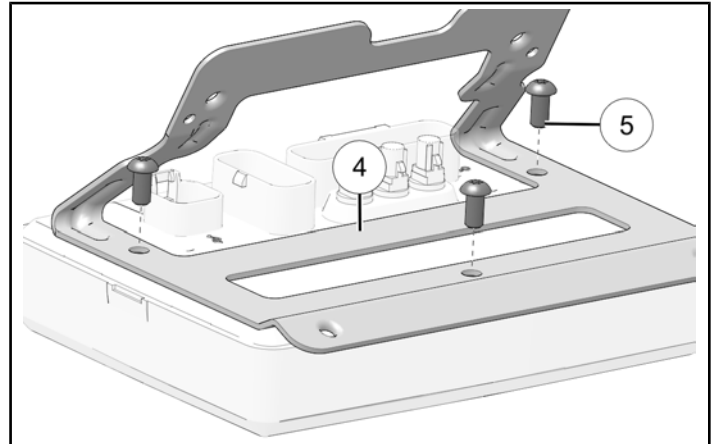


RIDE COMMAND® DISPLAY INSTALLATION

1. Install Ride Command® display bracket (4) to Ride Command® display with three screws (5). Torque three screws to specification.

TORQUE

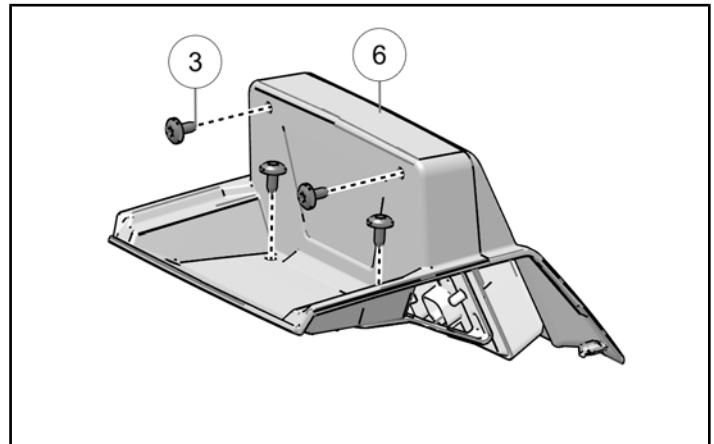
Ride Command® Bracket Screws (5):
31 in-lbs (3.5 N·m)



2. Install display bezel (6) to bracket with four screws (3). Torque four screws to specification.

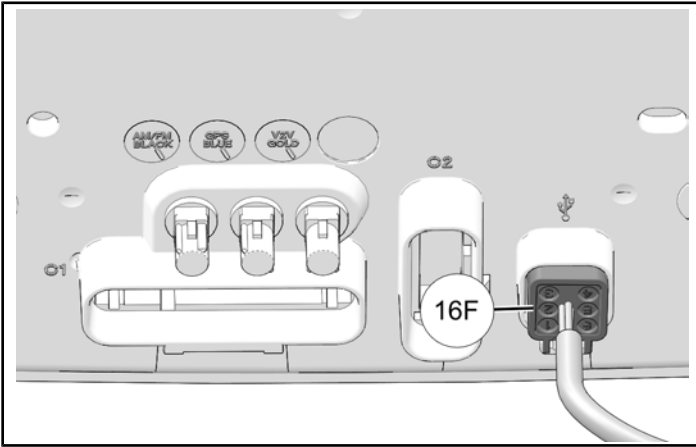
TORQUE

Display Bezel Screws (3):
88 in-lbs (10 N·m)

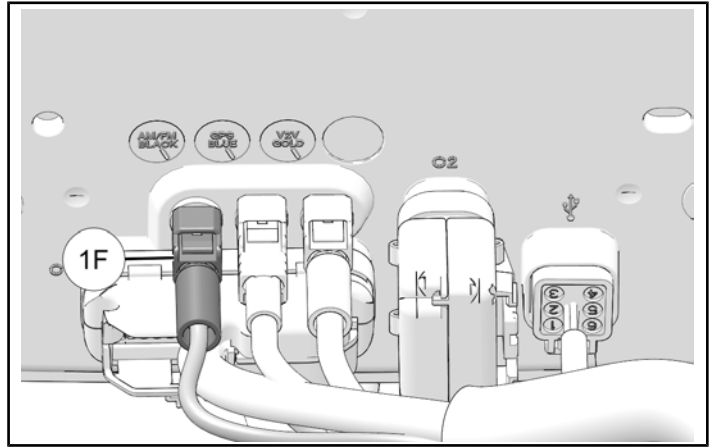


3. Put Ride Command® display assembly near dashboard to connect each of the harness to the back of the display.

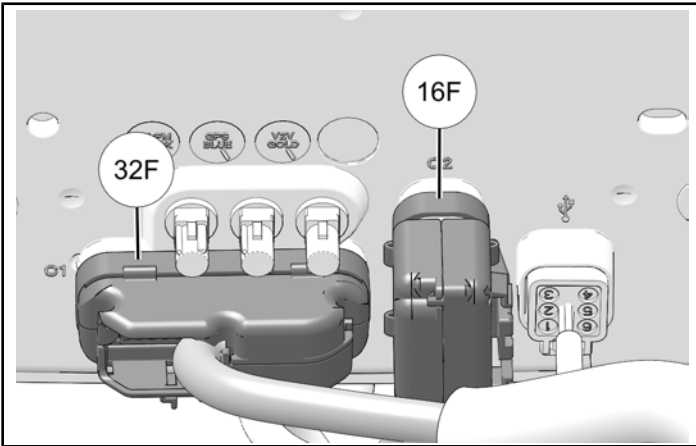
4. Install USB connector **16F** to the Ride Command® display.



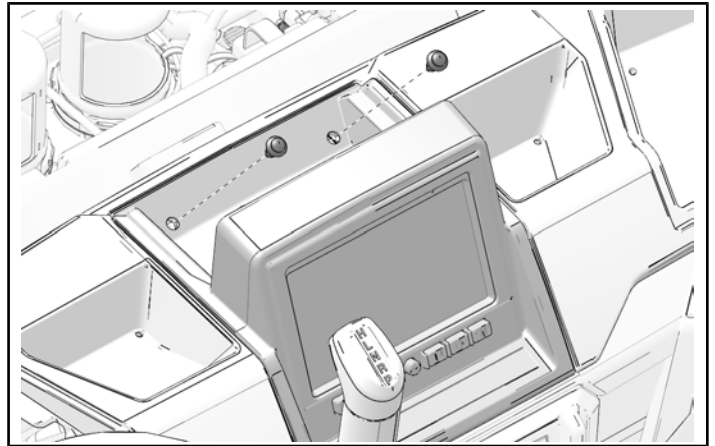
7. Install the AM/FM antenna connector **1F** to the Ride Command® display.



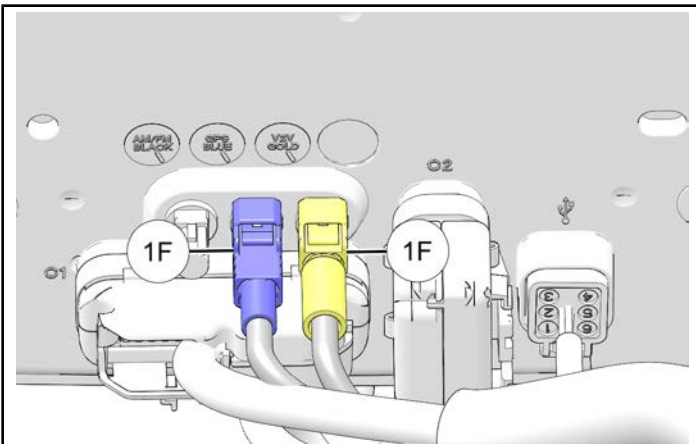
5. Install audio harness connectors **32F** and **16F** to the Ride Command® display.



8. Install the display bezel to the dashboard with two retained push-pin rivets.

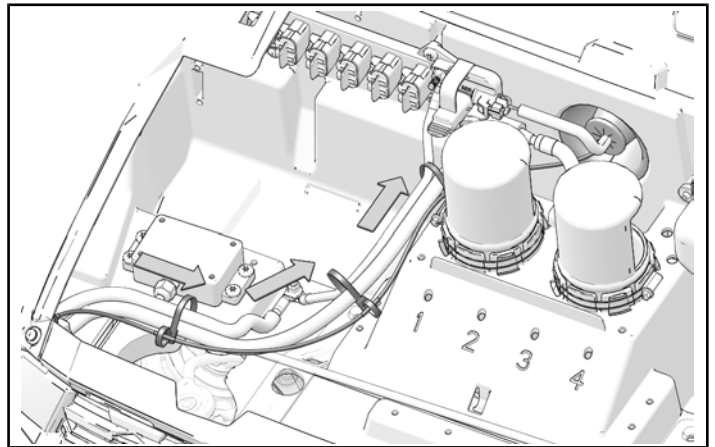


6. Install audio harness connectors **1F** (blue) and **1F** (gold) to the Ride Command® display.

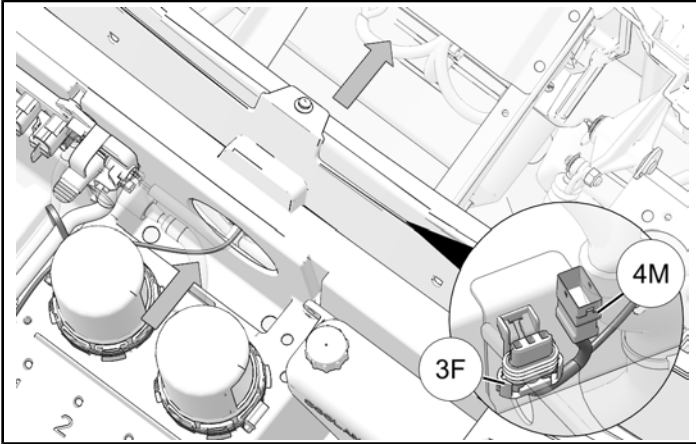


PLOW MODE HARNESS INSTALLATION

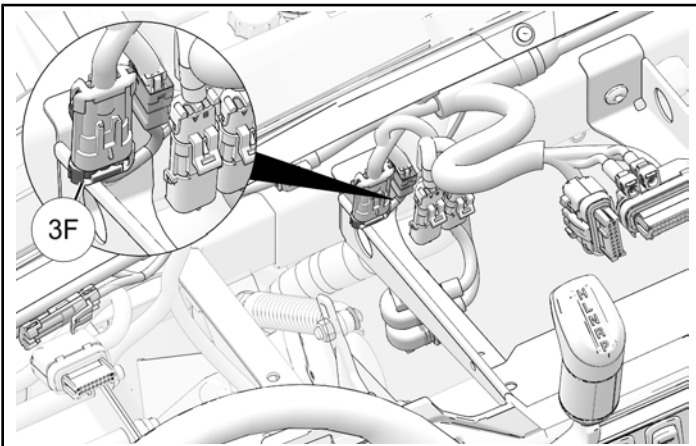
1. Put plow mode harness in vehicle alongside winch harness.



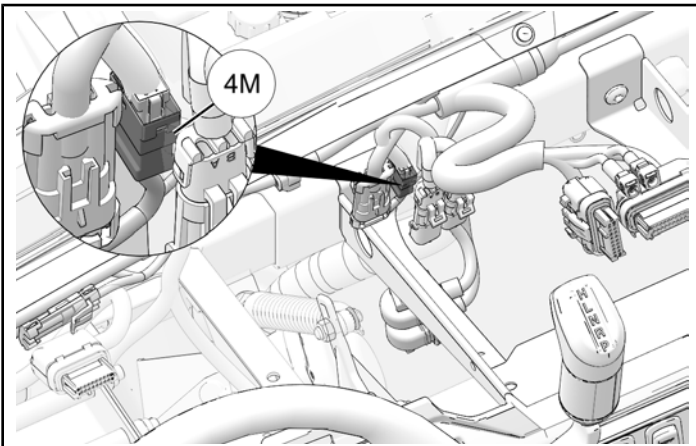
2. Put connectors Ride Command® connector **4M** and electrical chassis harness connector **3F** through firewall grommet.



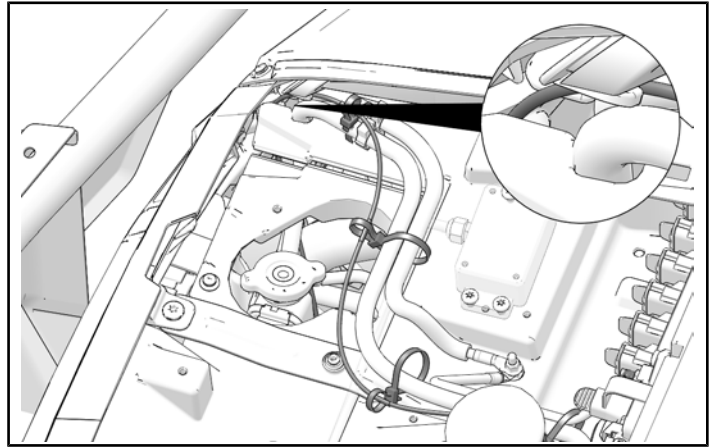
3. Connect **4M** to Ride Command® mount harness connector.



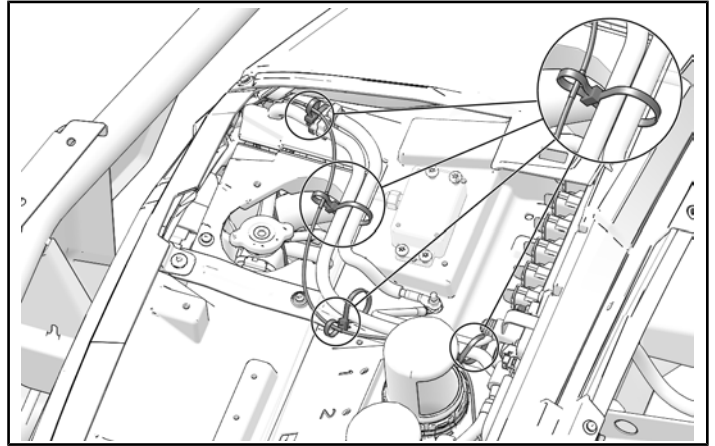
4. Connect **3F** to chassis electrical harness.



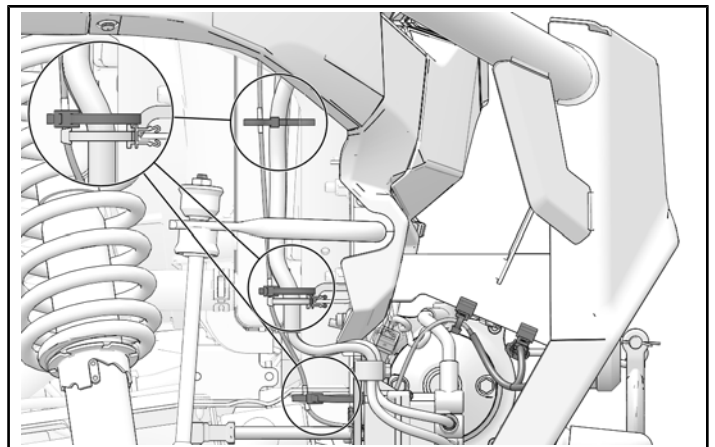
5. Route remaining plow mode harness towards winch assembly, alongside winch harness.



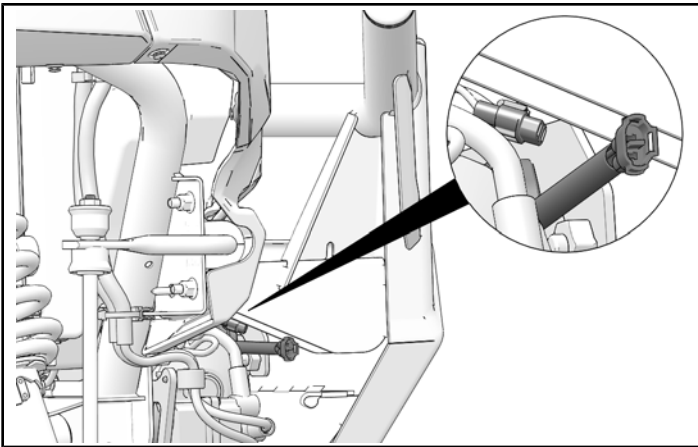
6. Attach plow mode harness to winch harness with attached cable ties.



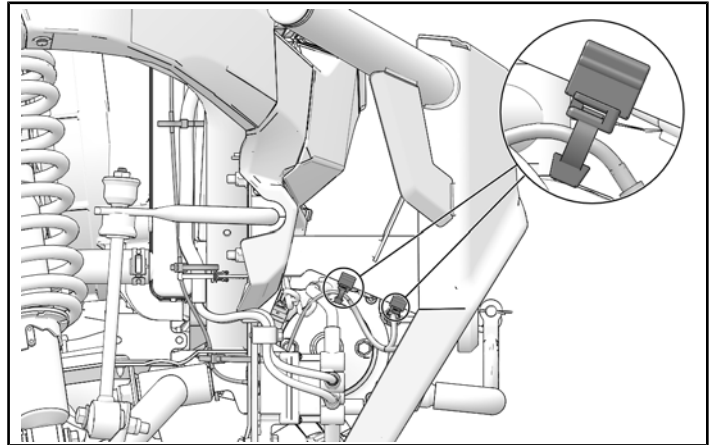
7. Route remaining plow mode harness towards winch assembly, alongside winch harness. Attach plow mode harness to winch harness with attached cable ties.



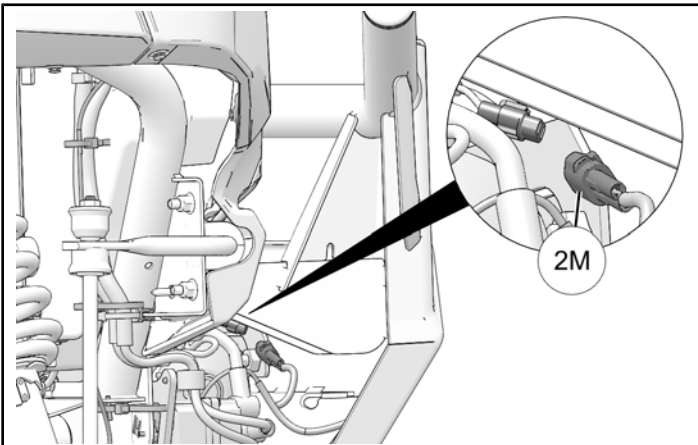
8. Disconnect fairlead from autopstop box.



11. Attach plow mode harness to bumper assembly with attached edge clips.

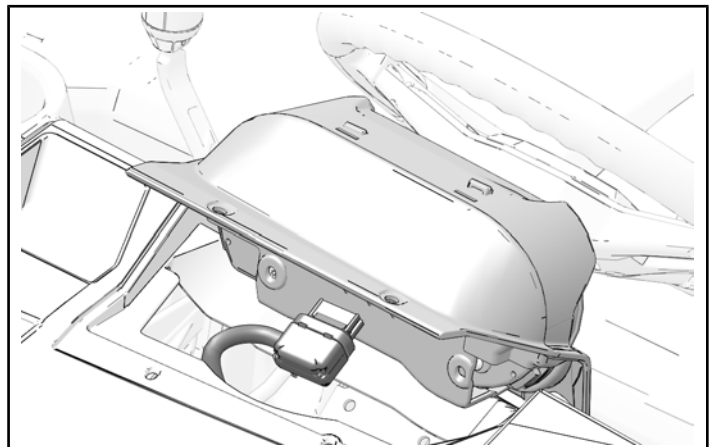


9. Connect **2M** to autopstop box connector.

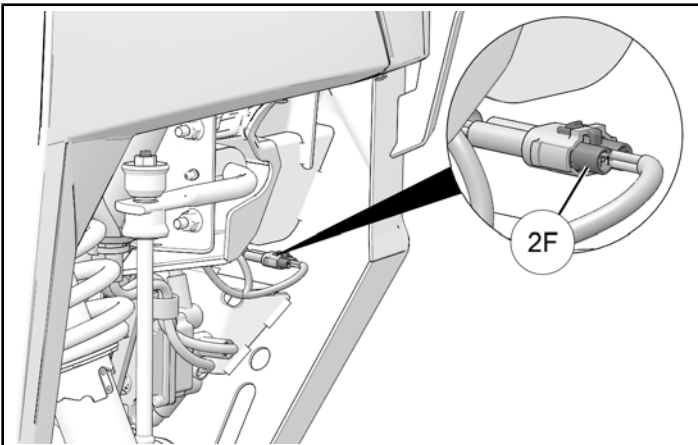


INSTRUMENT CLUSTER INSTALLATION

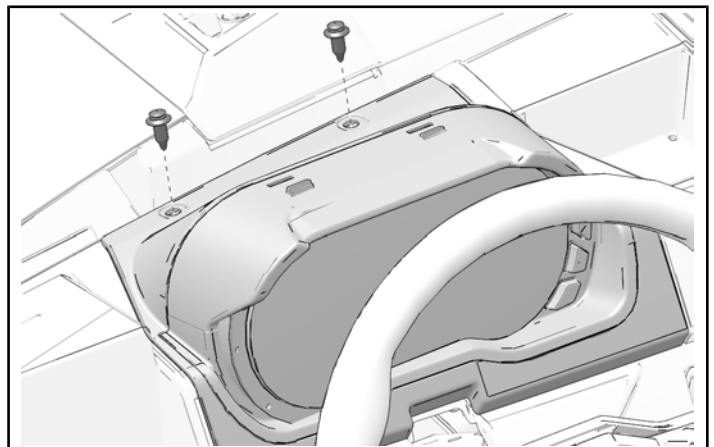
1. Connect the instrument cluster to the chassis electrical harness.



10. Connect **2F** to fairlead connector.



2. Install the instrument cluster bezel with two retained push-pin rivets.

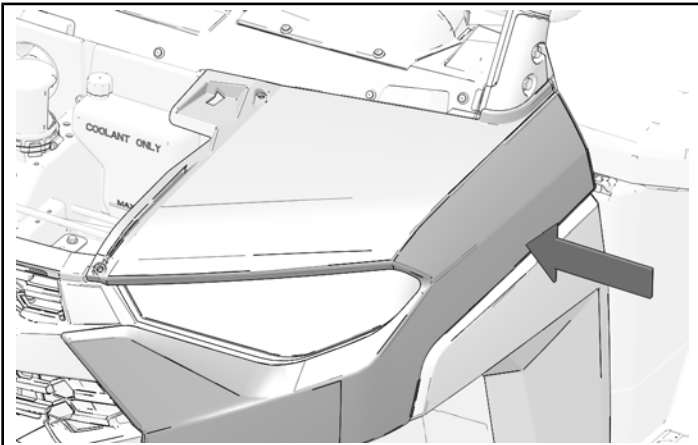


FENDER INSTALLATION

NOTICE

Left fender shown; right fender similar.

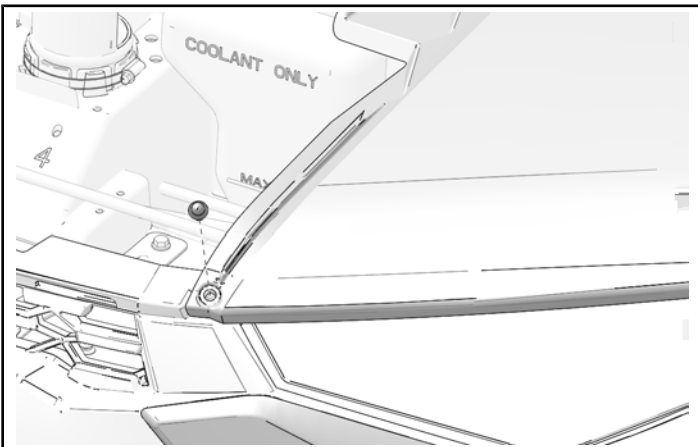
1. Put fender in installed position



2. Install front of fender with one retained push-pin rivet.

NOTE

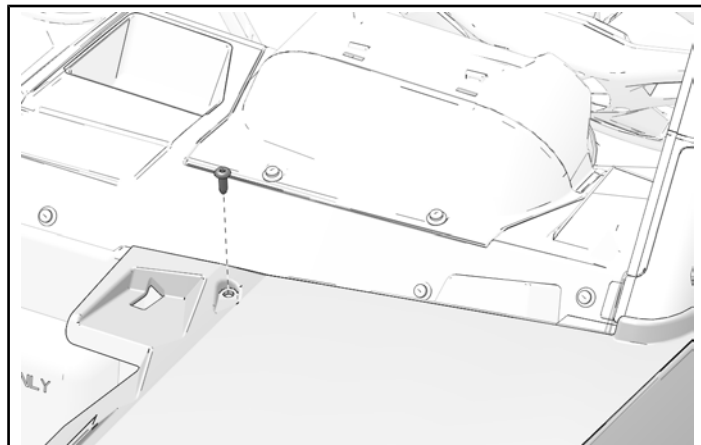
Remember to reinstall the passenger side fender.



3. Install rear of fender with on retained screw.
Torque screw to specification.

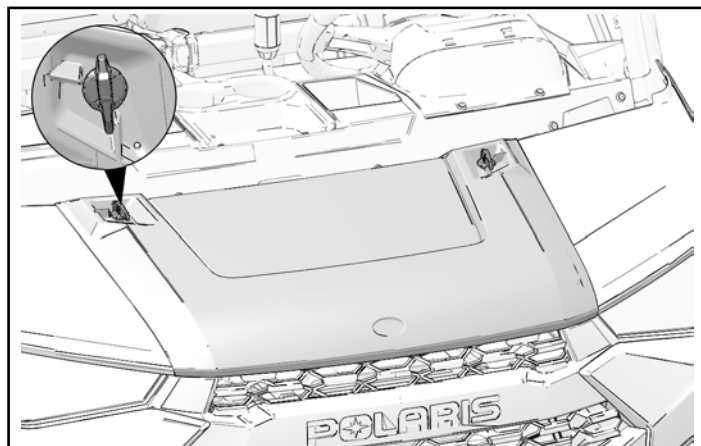
TORQUE

Fender Screw:
22 ft-lbs (30 N·m)



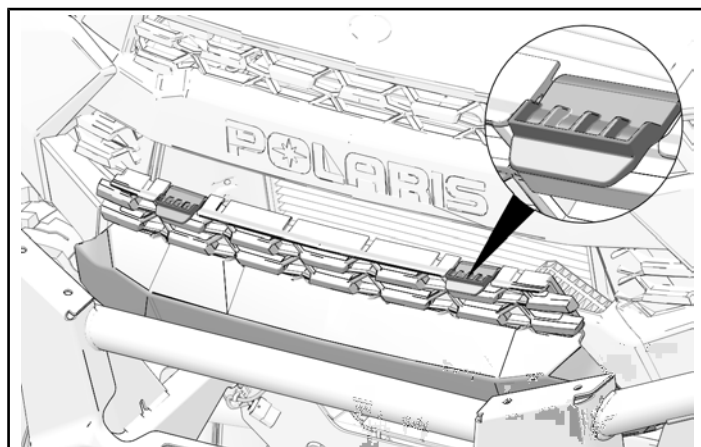
HOOD INSTALLATION

1. Align hood with vehicle and turn two quarter-turn fasteners to lock position and install hood.



GRILLE INSTALLATION

1. Put bottom of grille in first and push top of grille in until two tabs engage upper front fascia.



OPERATION

Refer to user manual provided with Ride Command® display for procedures on operation, software updates, map updates, and more.

INSTRUCTION FEEDBACK FORM

A feedback form has been created for the installer to provide any comments, questions or concerns about the installation instructions. The form is viewable on mobile devices by scanning the QR code or by clicking [HERE](#) if viewing on a PC.

