

# STORAGE PANEL KIT



P/N 2889268

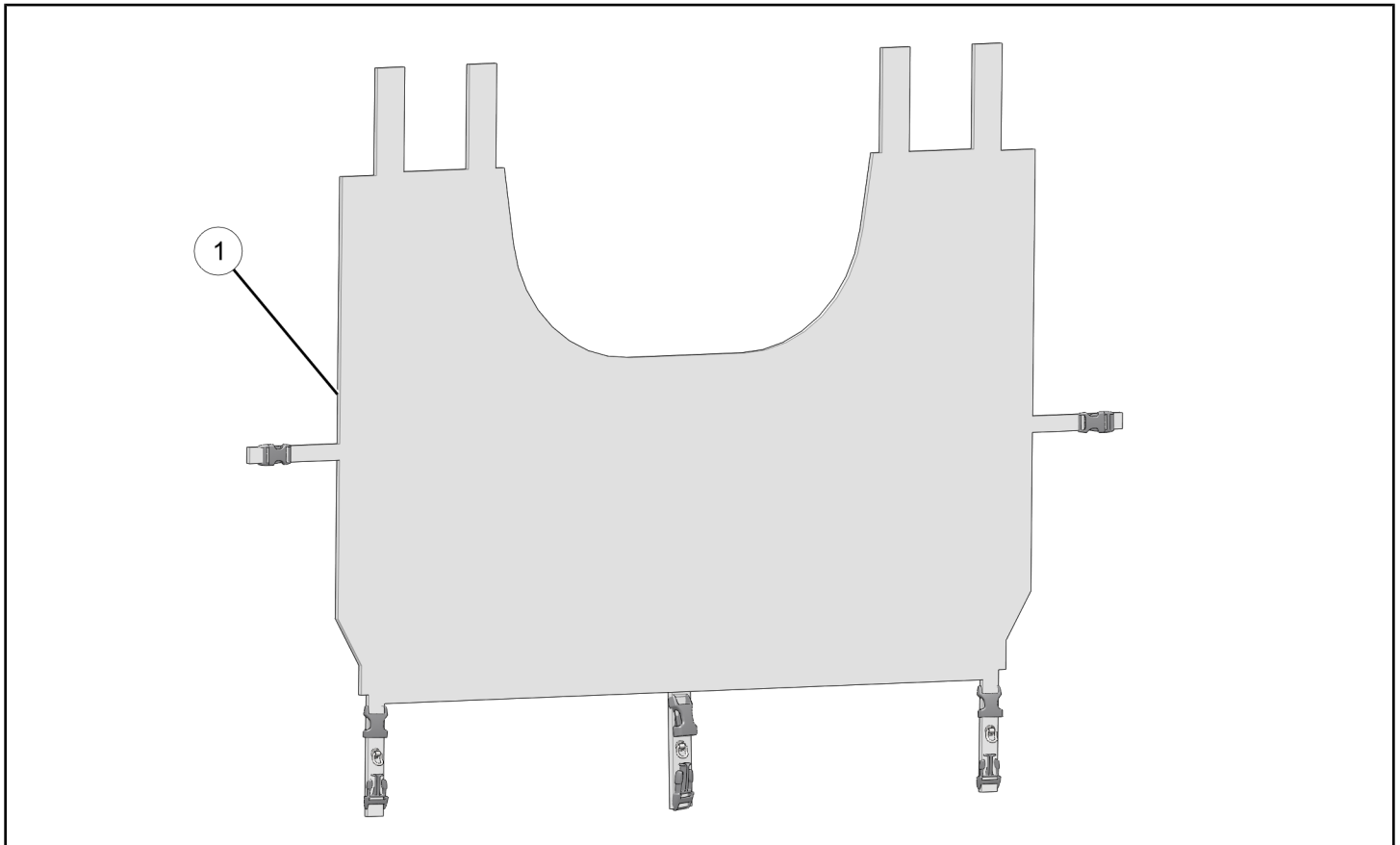
## BEFORE YOU BEGIN

Read these instructions and check to be sure all parts and tools are accounted for. Please retain these installation instructions for future reference and parts ordering information.

## APPLICATION

Verify accessory fitment at [www.polaris.com](http://www.polaris.com).

## KIT CONTENTS



| REF | QTY | PART DESCRIPTION    | P/N AVAILABLE SEPARATELY |
|-----|-----|---------------------|--------------------------|
| 1   | 1   | Storage Panel, Crew | n/a                      |

## TOOLS REQUIRED

- Safety Glasses
- Cutting Tool
- Socket Set, Torx® Bit

## CONSUMABLES REQUIRED

- Tape, Masking

# IMPORTANT

Your Storage Panel Kit is exclusively designed for your vehicle. Please read the installation instructions thoroughly before beginning. Installation is easier if the vehicle is clean and free of debris. For your safety, and to ensure a satisfactory installation, perform all installation steps correctly in the sequence shown.

## INSTALLATION INSTRUCTIONS

### VEHICLE PREPARATION

#### GENERAL

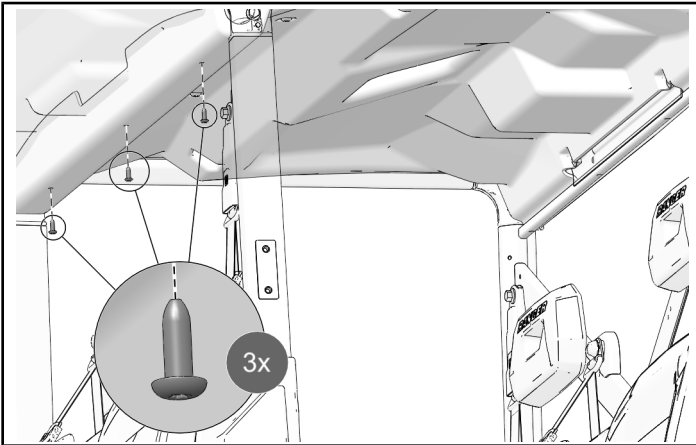
1. Park vehicle on a flat surface.
2. Shift vehicle into PARK.
3. Turn key to OFF position and remove key.
4. If equipped, remove rear roof liner.

#### NOTICE

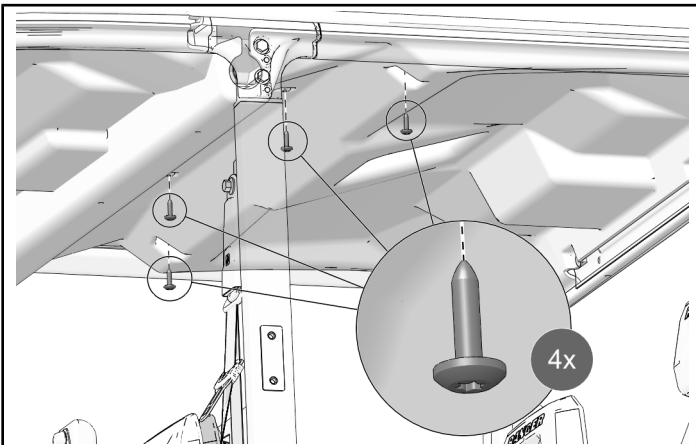
If vehicle is not equipped with a rear roof liner proceed to Storage Panel Installation section.

#### REAR ROOF LINER REMOVAL

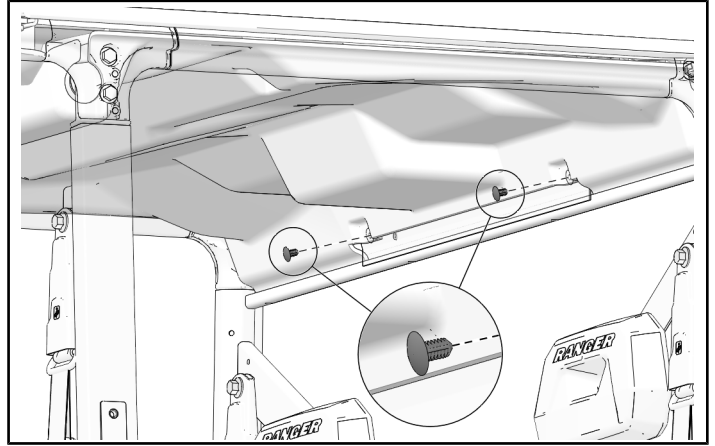
1. If installed, remove roof mounted speakers and/or dome light.
2. Remove and keep three screws from below center ROPS bar.



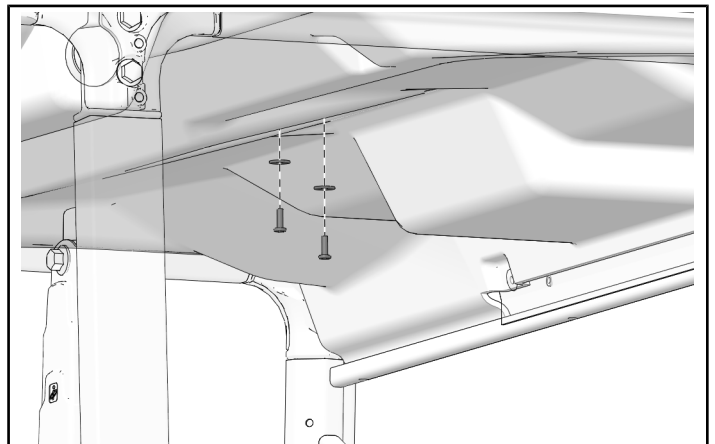
3. Remove and keep four screws from center of rear roof liner.



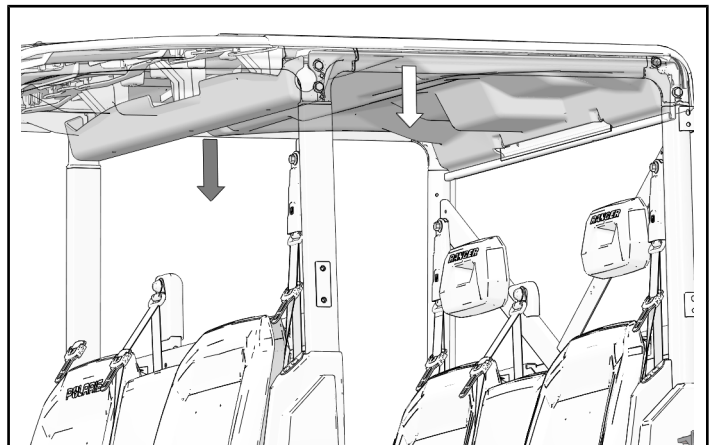
4. Remove and keep two push darts from liner and upper rear ROPS bar.



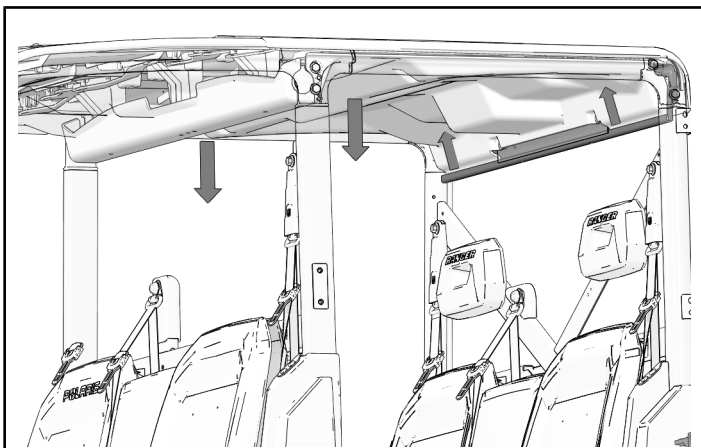
5. Remove and keep two screws and two washers from center of rear roof liner.



6. Carefully pull left-hand and right-hand edges of rear roof liner down from between ROPS and roof seal.



- Remove rear edge of roof liner from the roof support channel.



- Set rear roof liner aside.

### PREPARE TEMPLATE

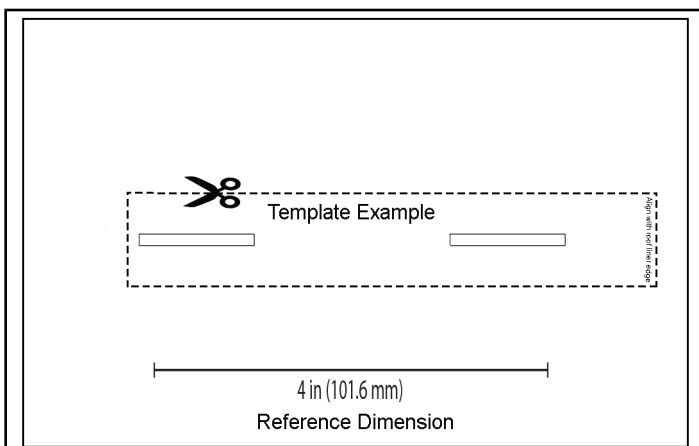
- Detach template page located at end of instructions.
- Locate REFERENCE DIMENSION on template page.

Verify REFERENCE DIMENSION is exact and template was properly printed to scale.

#### IMPORTANT

If REFERENCE DIMENSION is not exact, reprint template pages from electronic file. Adjust print setting to **Actual Size** to obtain 1:1 scale. Electronic file available on website or from your **Authorized Polaris® Dealer**.

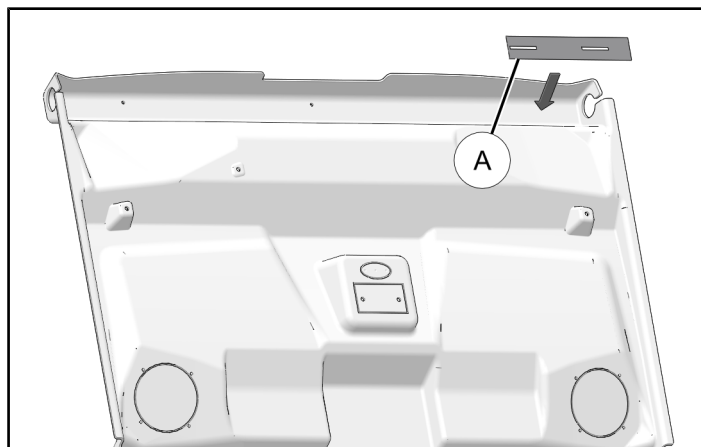
- Cut out template along outer border.



### PREPARE REAR ROOF LINER

- Set rear roof liner on clean surface with roof side of liner facing up.

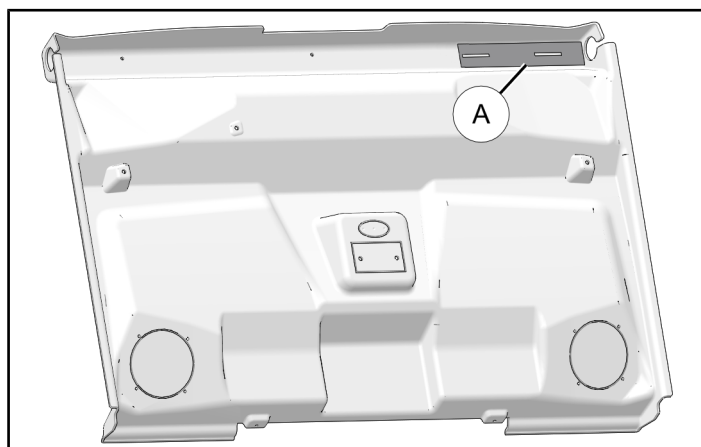
- Put template **A** in the roof ROPS trough.



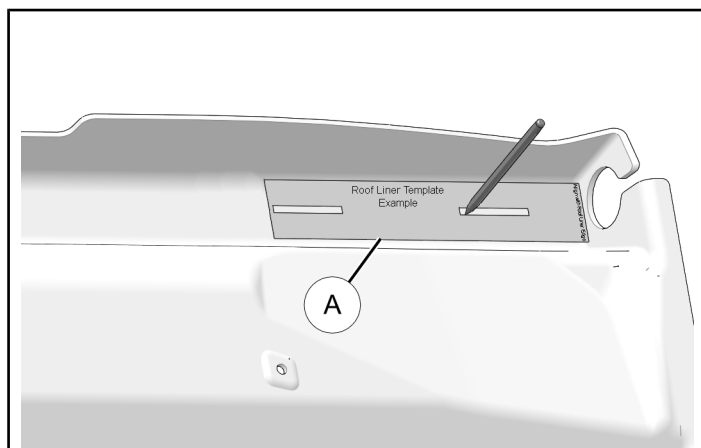
- Set template **A** to the far right of the roof ROPS trough.

#### IMPORTANT

Make sure template is placed to the farthest edge of ROPS trough.



- Tape template in place.
- Mark two rectangular holes onto rear roof liner.



- Remove template and cut out two holes.

- Repeat steps 2-6 for far left side of the roof ROPS trough.

## ACCESSORY INSTALLATION

### IMPORTANT

Installation of panel storage will vary depending on vehicle layout.

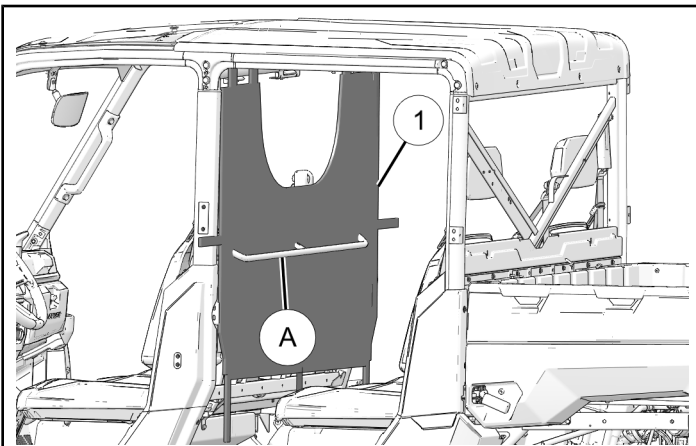
- If vehicle is equipped with a roof liner refer to: **Vehicles with Roof Liner** section on page 4.
- If vehicle is equipped with interior liner refer to: **Vehicles with Interior Liner** section on page 6.
- If vehicle is equipped with both roof liner and interior liner refer to: **Vehicles with Roof Liner** section on page 4 first and, instead of wrapping straps around the chassis bar, proceed to **Vehicles with Interior Liner** section on page 6.
- If vehicle is not equipped with roof liner or interior liner refer to: **Vehicles without Roof Liner and Interior Liner** section on page 6.

### IMPORTANT

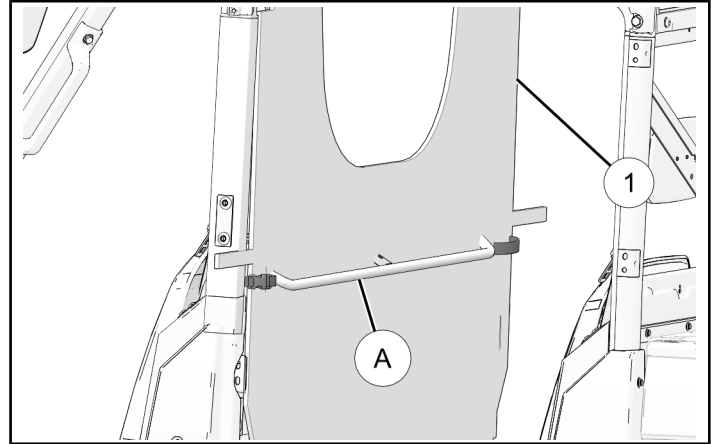
If vehicle is not equipped with a windshield, always remove Panel Storage when transporting vehicle by trailer. Failure to remove Panel Storage prior to transporting vehicle by trailer could cause Panel Storage to come loose and fall off, which could cause damage to Panel Storage and/or vehicle.

## VEHICLES WITH ROOF LINER

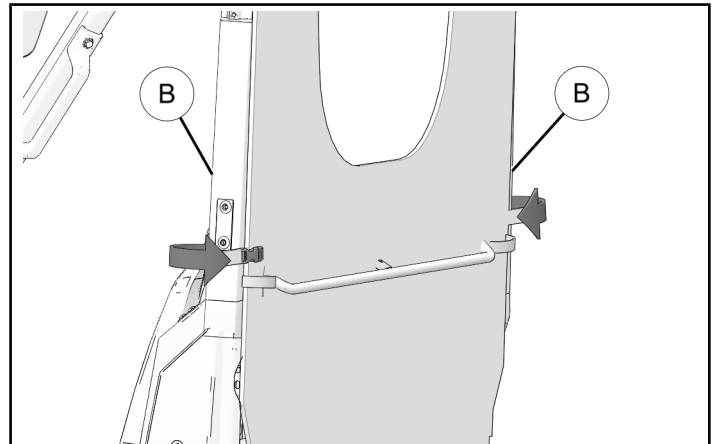
- Loosely install storage panel ① through rear grab bar ①.



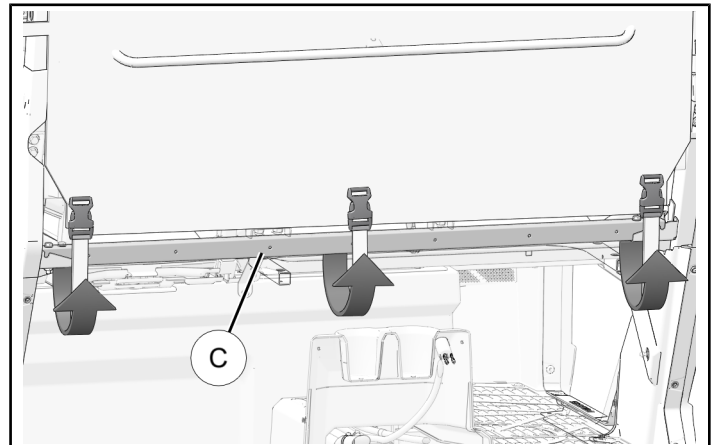
- Loosely install storage panel strap around left side and right side of rear grab bar ① and attach with buckles.



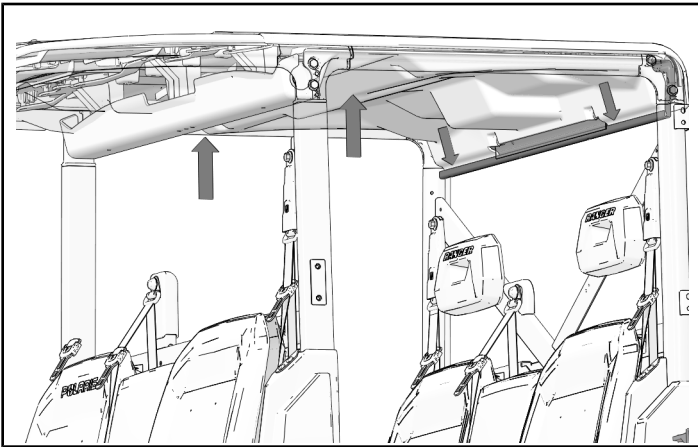
- Loosely install left side and right side storage panel straps around left side and right side B-pillar bars ② and attach with buckles.



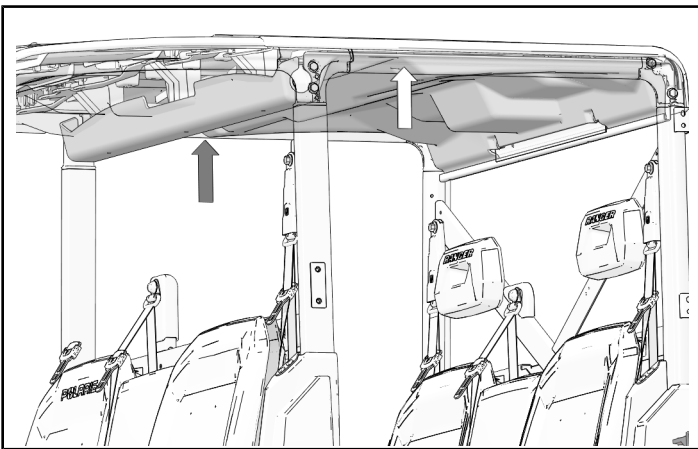
- Install three lower storage panel straps around lower chassis bar ③ behind the bottom of the front seats and attach with buckles.



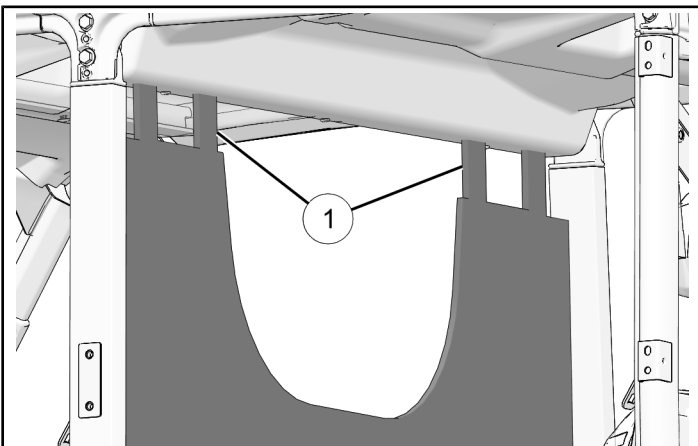
5. Install rear edge of roof liner into roof support channel.



6. Carefully push left-hand and right-hand edges of rear roof liner up between ROPS and roof seal.



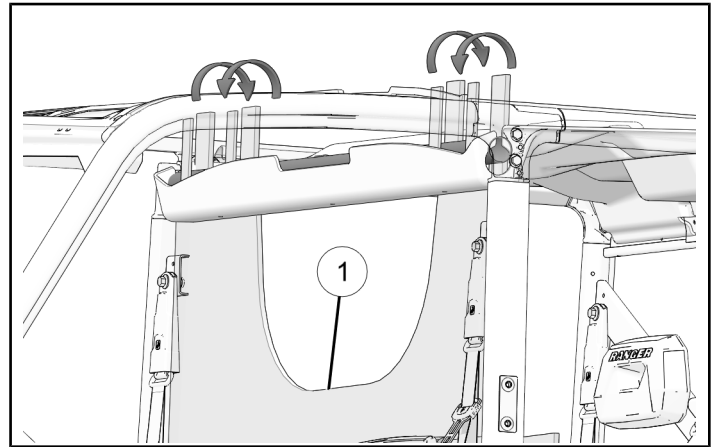
7. Put two upper left side and two upper right side hook-and-loop straps ① through cut-outs in roof liner.



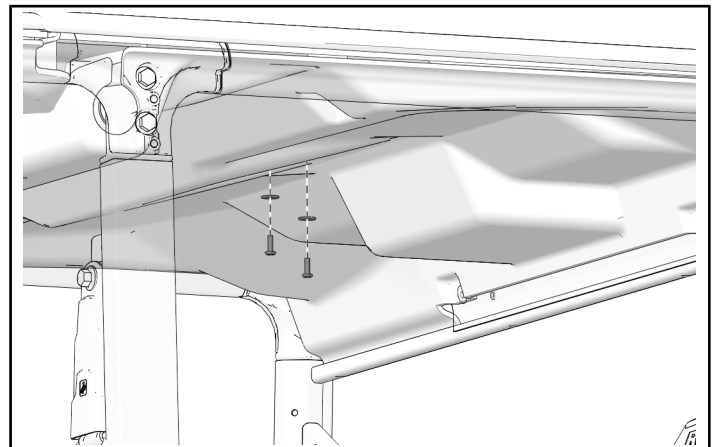
8. Attach two upper left side and two upper right side hook-and-loop straps on storage panel ① around upper ROPS bar.

**NOTICE**

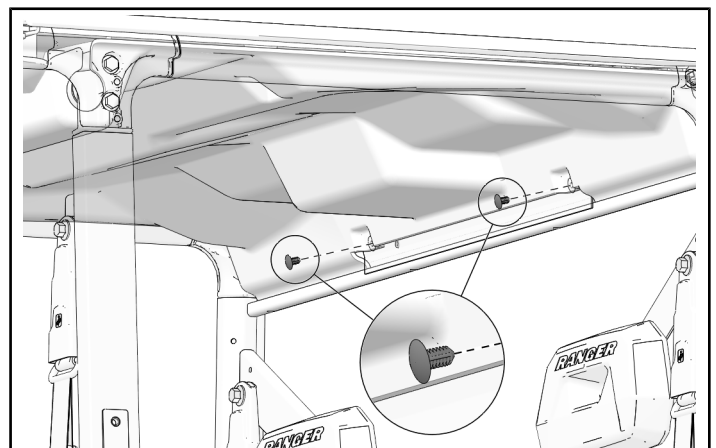
Roof hidden for clarity.



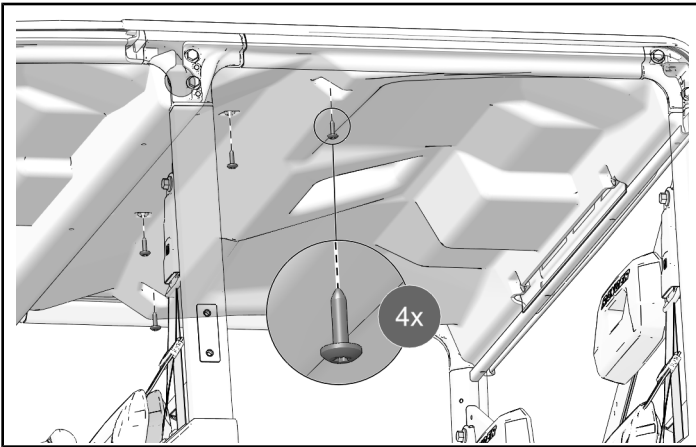
9. Install two retained screws and two retained washers into center of rear roof liner.



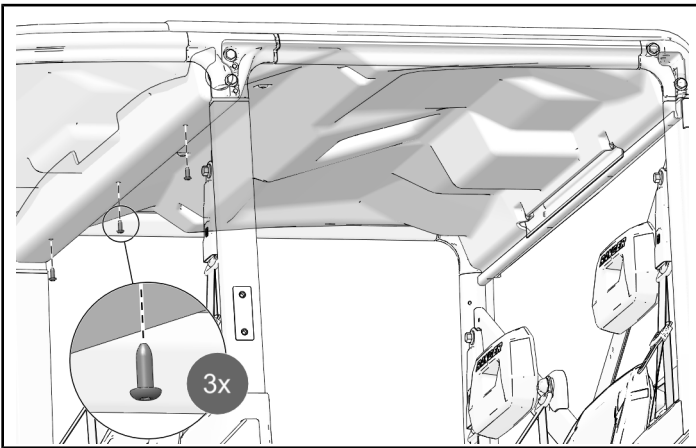
10. Install two retained push darts through liner and upper rear ROPS bar.



11. Install four retained screws into center of rear roof liner.



12. Install three retained screws through liner below center ROPS bar.



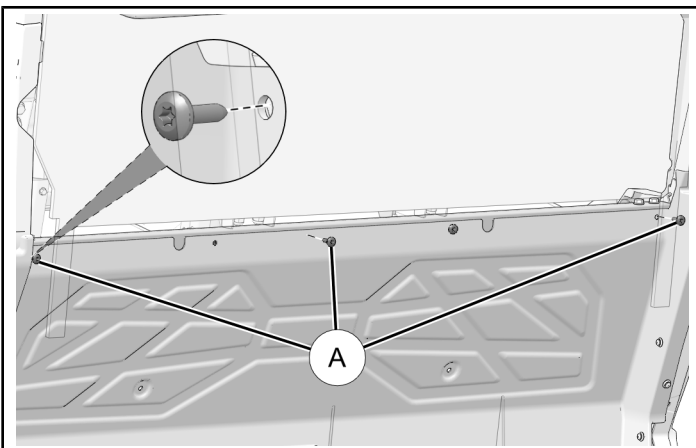
13. Tighten all straps for a snug fit on vehicle.

### VEHICLES WITH INTERIOR LINER

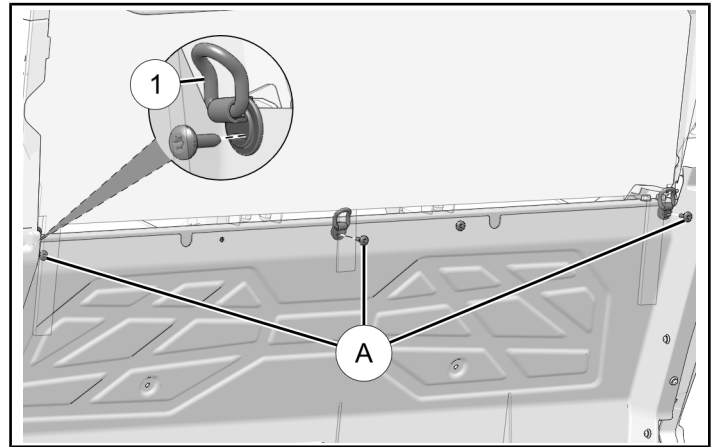
#### NOTICE

Storage panel hidden for clarity.

1. If equipped with interior liner between front and rear seats, remove three screws (A) from interior liner.



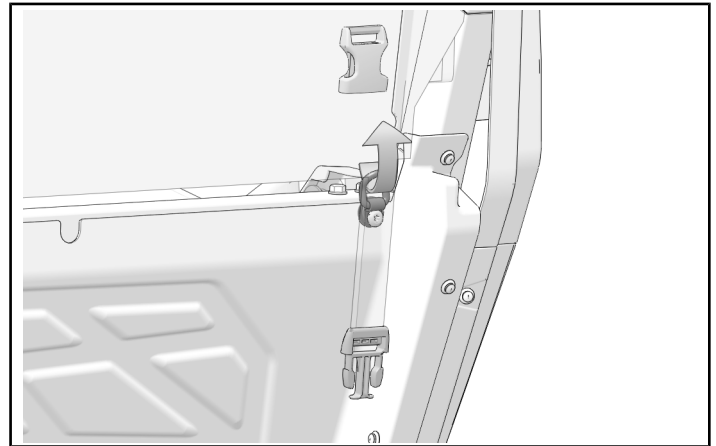
2. Install the three D-rings on the lower straps (1) to interior liner with interior liner screws (A).



3. Tighten screws until fully seated.
4. Install left side, middle, and right side storage panel straps through D-rings and attach with buckles.

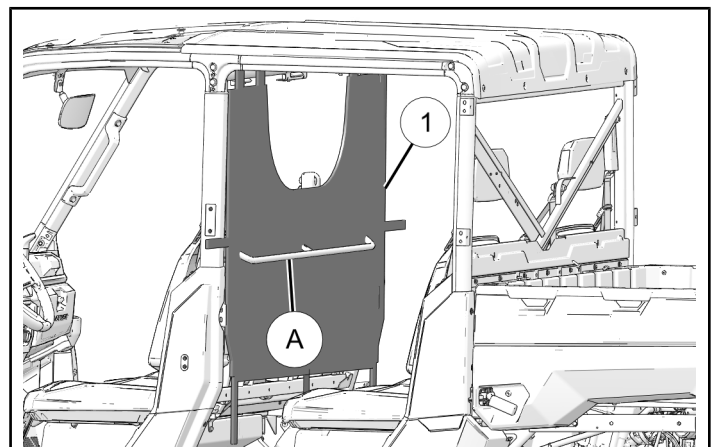
#### NOTICE

Right side shown; left side similar.



### VEHICLES WITHOUT ROOF LINER AND INTERIOR LINER

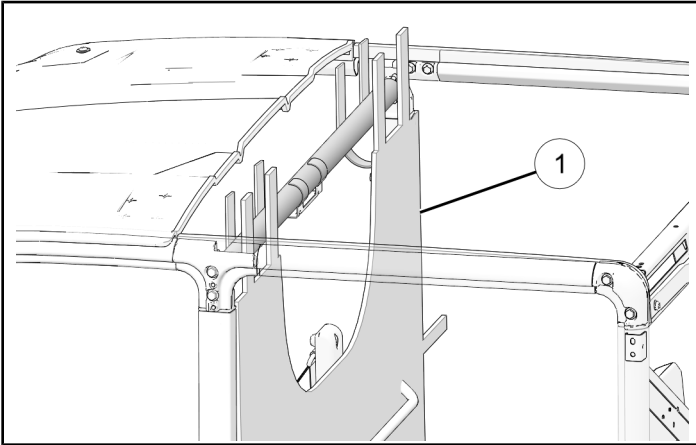
1. Loosely install storage panel (1) through rear grab bar (A).



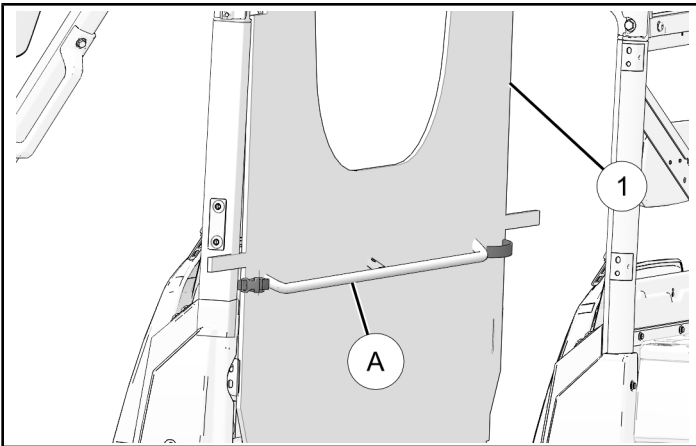
2. Attach two upper left side and two upper right side hook-and-loop straps on storage panel ① around upper ROPS bar.

**NOTICE**

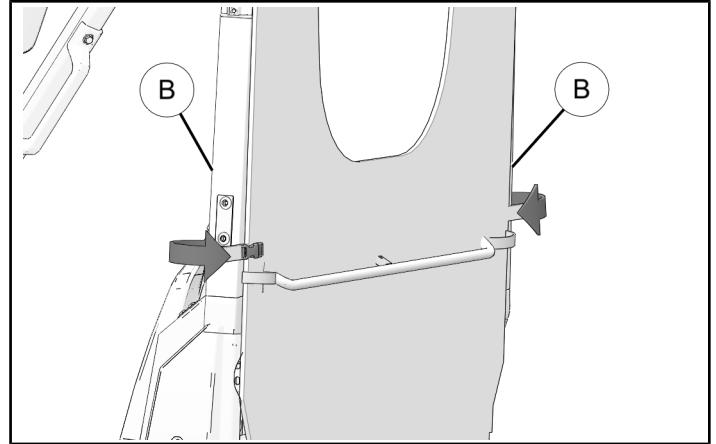
Roof hidden for clarity.



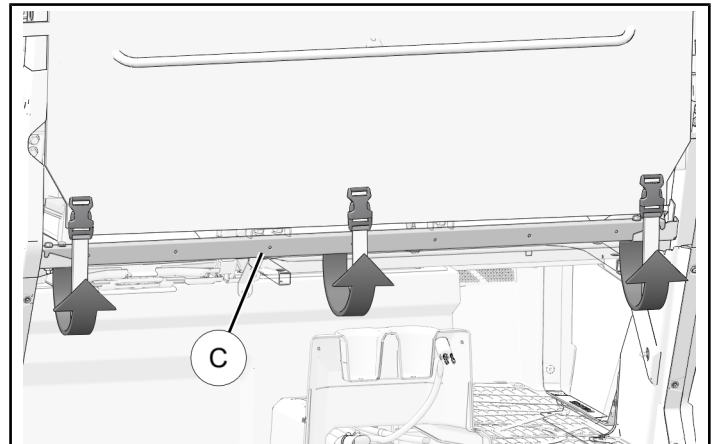
3. Loosely install storage panel strap around left side and right side of rear grab bar ① and attach with buckles.



4. Loosely install left side and right side storage panel straps around left side and right side B-pillar bars ① and attach with buckles.



5. Install three lower storage panel straps around lower chassis bar ① behind the bottom of the front seats and attach with buckles.



6. Tighten all straps for a snug fit on vehicle.

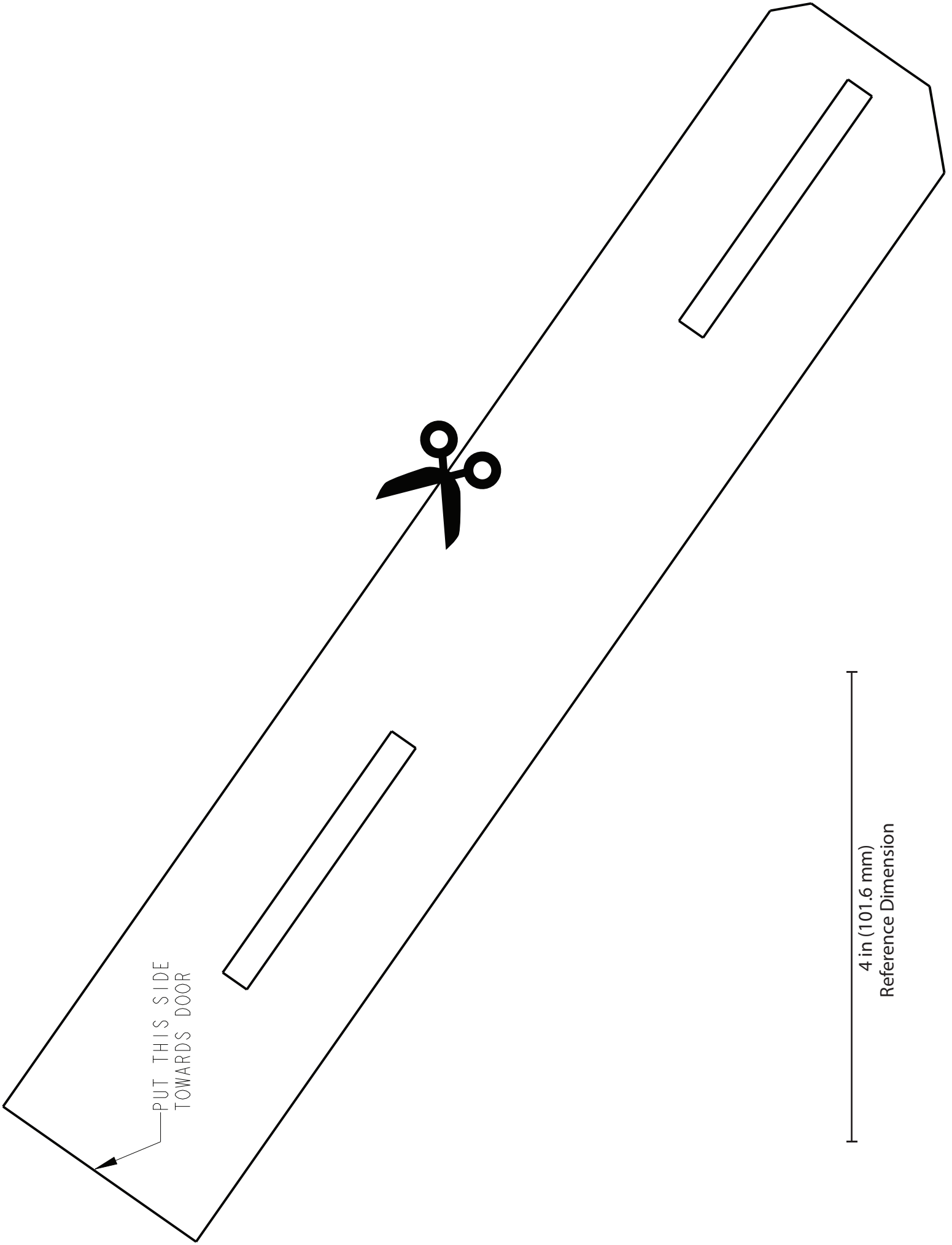
## INSTRUCTION FEEDBACK FORM

A feedback form has been created for the installer to provide any comments, questions or concerns about the installation instructions. The form is viewable on mobile devices by scanning the QR code or by clicking [HERE](#) if viewing on a PC.



Page left intentionally blank.





PUT THIS SIDE  
TOWARDS DOOR

4 in (101.6 mm)  
Reference Dimension