

PLATFORM RACK KIT



P/N 2889236; 2889237; 2889590

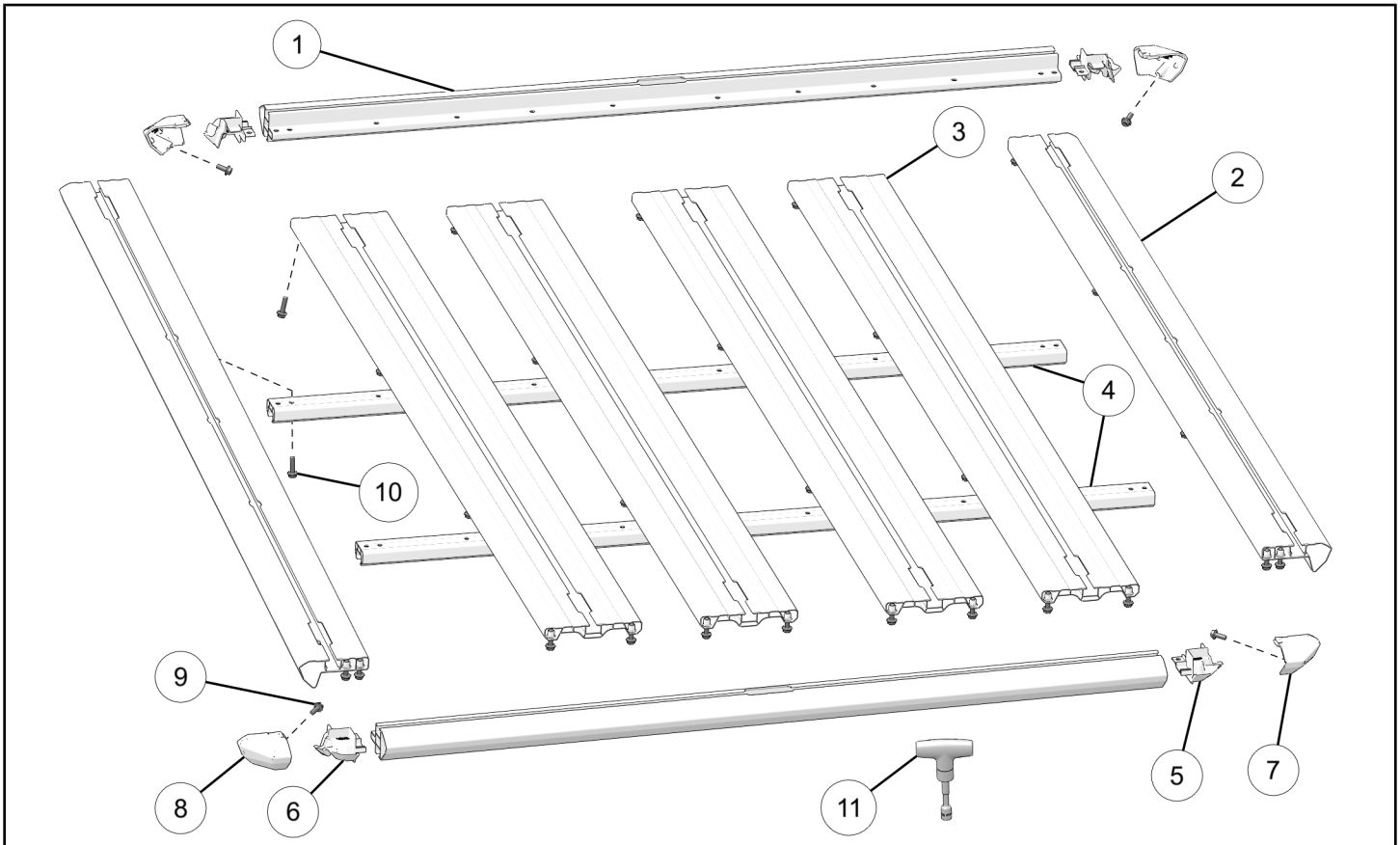
BEFORE YOU BEGIN

Read these instructions and check to be sure all parts and tools are accounted for. Please retain these installation instructions for future reference and parts ordering information.

APPLICATION

Verify accessory fitment at www.polaris.com.

KIT CONTENTS



REF	QTY	PART DESCRIPTION	P/N AVAILABLE SEPARATELY	AVAILABLE SERVICE KIT
1	2	Platform Extrusion, Front and Rear	n/a	n/a
2	2	Platform Extrusion, Side	n/a	n/a
3	4	Platform Planks	n/a	n/a
4	1	Underbar Extrusion (P/N 2889590 and P/N 2889236)	n/a	n/a
	2	Underbar Extrusion (P/N 2889237)	n/a	n/a
5	2	Corner Base, RH	n/a	2209074
6	2	Corner Base, LH	n/a	2209074

REF	QTY	PART DESCRIPTION	P/N AVAILABLE SEPARATELY	AVAILABLE SERVICE KIT
7	2	Corner Cover, RH	n/a	2209074
8	2	Corner Cover, LH	n/a	2209074
9	4	Bolt, Hex Head Flanged, M6 x 1.0 x 12 mm	n/a	2209074
10	36	Bolt, Hex Head Flanged, M6 x 1.0 x 25 mm (P/N 2889590 and P/N 2889236)	n/a	n/a
	48	Bolt, Hex Head Flanged, M6 x 1.0 x 25 mm (P/N 2889237)	n/a	n/a
11	1	Torque Tool, 53 in-lbs (6 N·m)	n/a	2209475

TOOLS REQUIRED

- Safety Glasses
- Socket Set, Metric
- Torque Tool (provided)

IMPORTANT

Your Platform Rack Kit is exclusively designed for your vehicle. Please read the installation instructions thoroughly before beginning. Installation is easier if the vehicle is clean and free of debris. For your safety, and to ensure a satisfactory installation, perform all installation steps correctly in the sequence shown.

INSTALLATION INSTRUCTIONS

ACCESSORY INSTALLATION

PLATFORM RACK ASSEMBLY

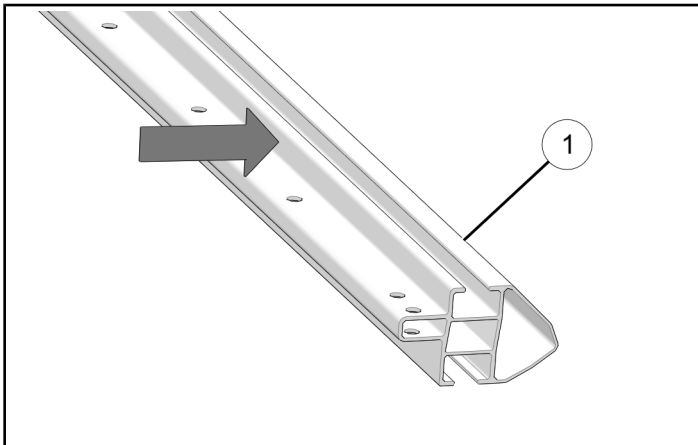
TIP

Assemble platform rack on soft surface to prevent damage to platform.

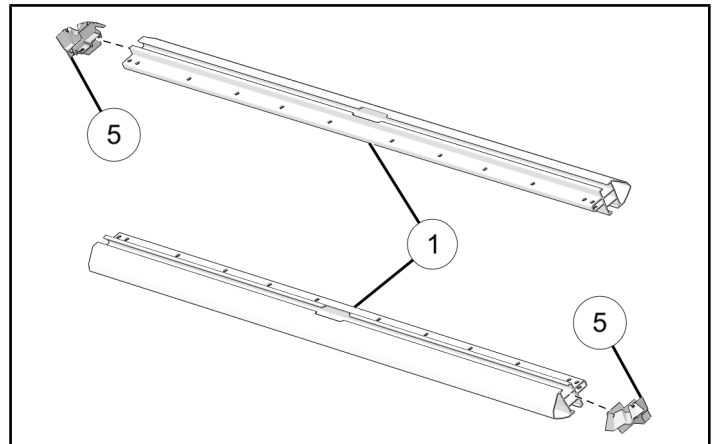
NOTICE

Platform rack will be assembled with bottom of rack facing up.

1. Set front and rear extrusion ① onto soft surface with shorter edge facing up.



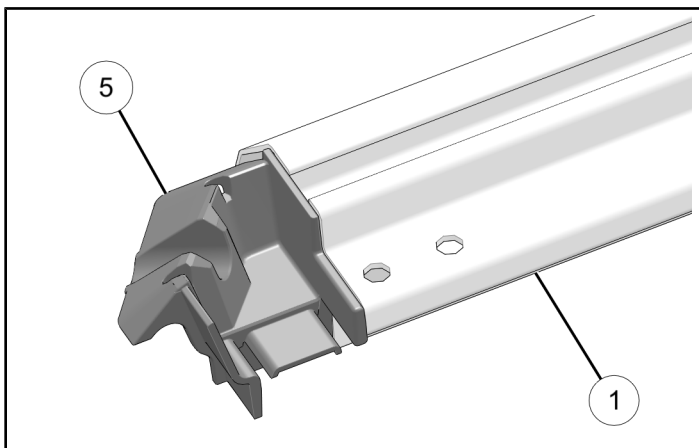
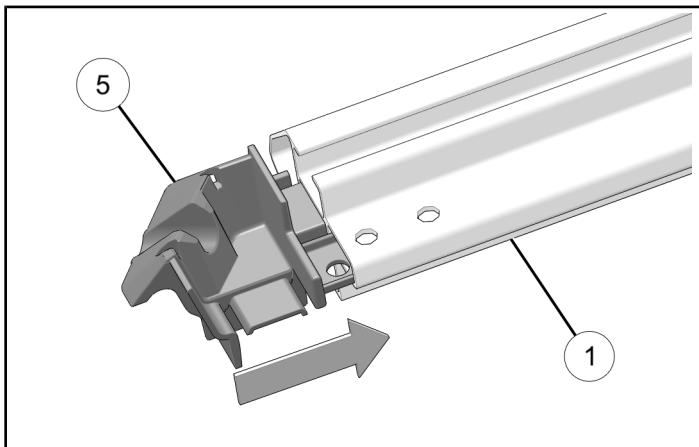
2. Install two right-hand corner base pieces ⑤ to front and rear extrusions ①.



3. Insert right-hand corner base pieces ⑤ inside the channel on each end of extrusion ①.

NOTICE

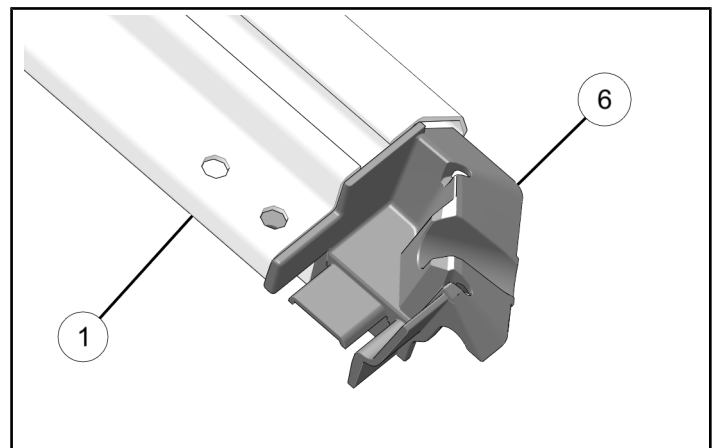
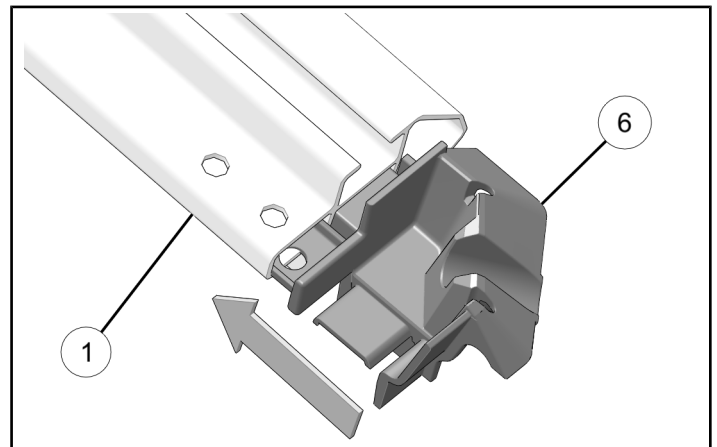
Make sure holes on corner base pieces align with holes on extrusion.



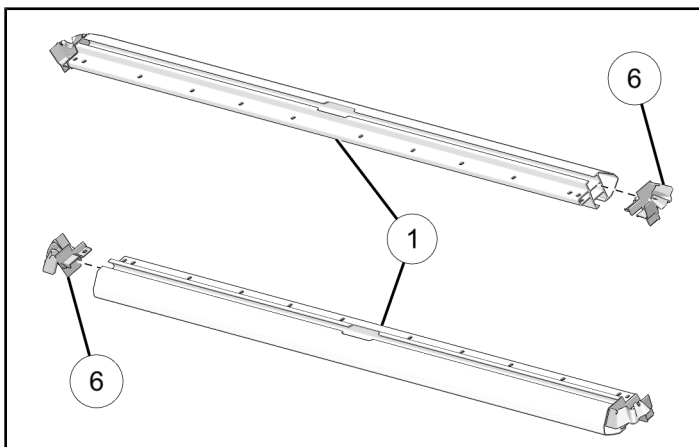
5. Insert left-hand corner base pieces ⑥ inside the channel on each end of extrusion ①.

NOTICE

Make sure holes on corner base pieces align with holes on extrusion.



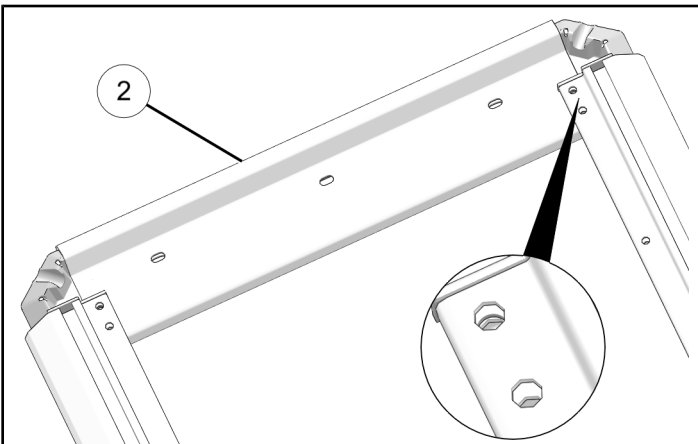
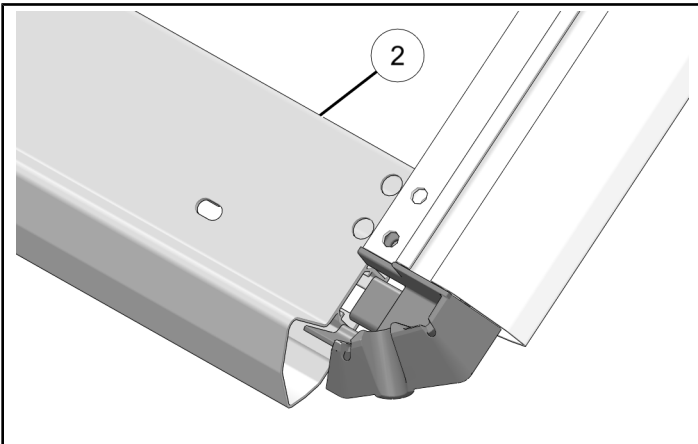
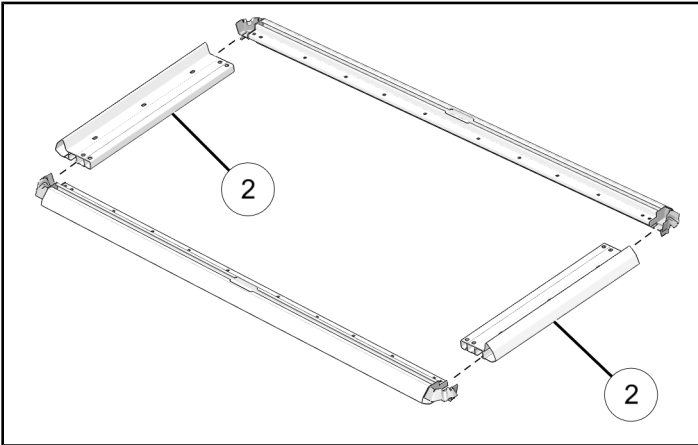
4. Install two left-hand corner base pieces ⑥ to front and rear extrusions ①.



6. Slide two side extrusions ② into each corner base.

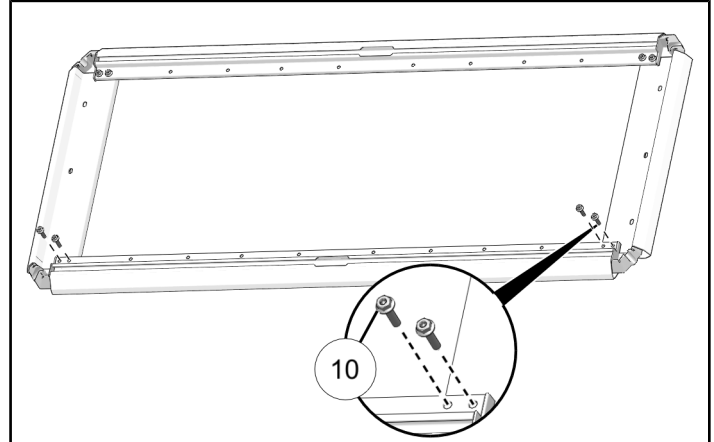
IMPORTANT

Make sure the holes on the side extrusions align with the holes on the front and rear extrusion bar assemblies.



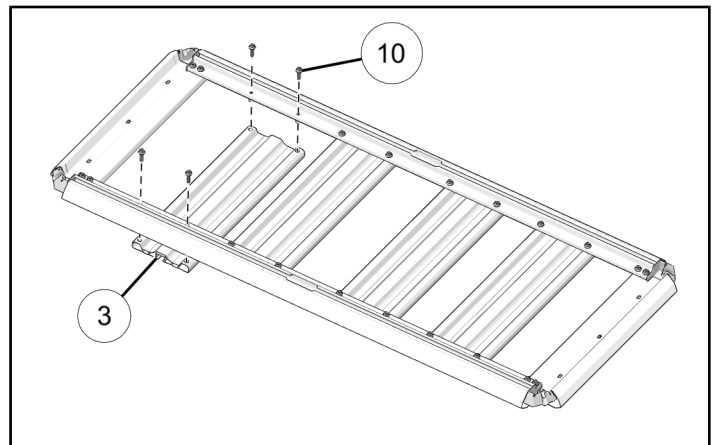
7. Loosely install side extrusions with eight bolts ⑩.

Do not torque bolts at this time.



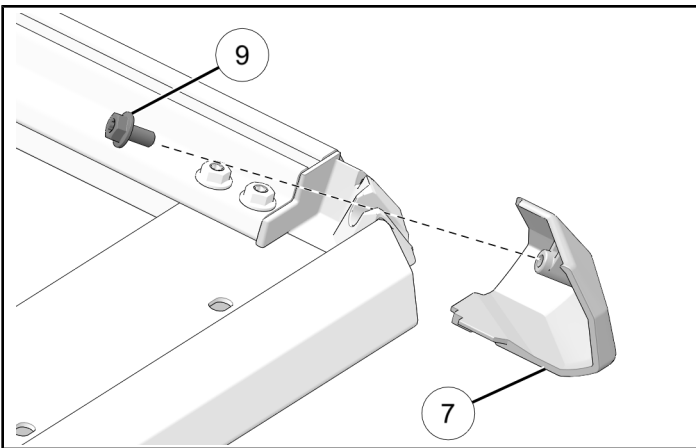
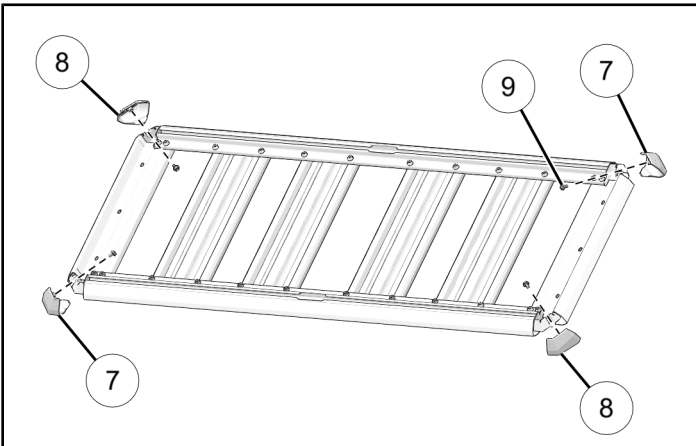
8. Loosely install four platform planks ③ to platform frame assembly with sixteen bolts ⑩.

Do not torque bolts at this time.



9. Loosely attach two right-hand ⑦ and two left-hand ⑧ corner covers with four bolts ⑨.

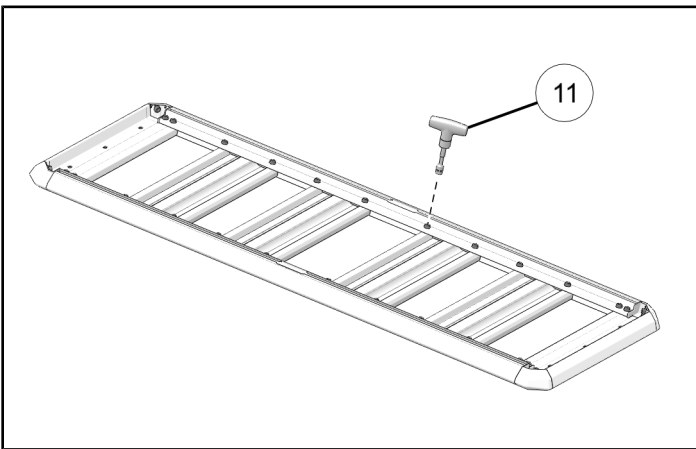
Do not torque bolts at this time.



10. Torque all bolts with torque tool ⑪.

NOTICE

Turn each bolt with torque tool until it clicks.



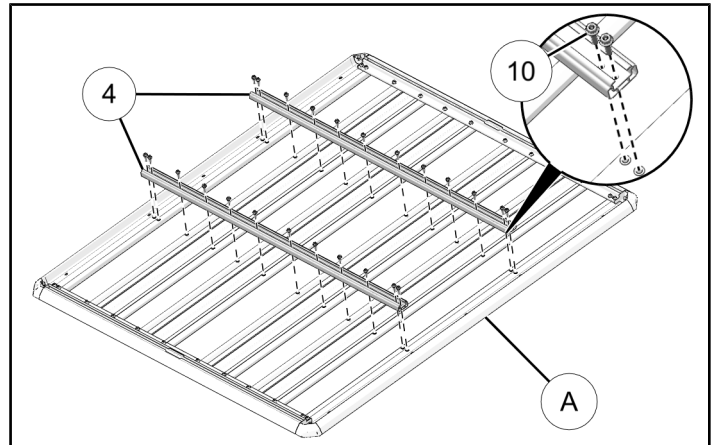
DOUBLE UNDERBAR EXTRUSION INSTALLATION

IMPORTANT

Double underbar extrusion platform rack is used on crew vehicles only.

1. Install two underbar extrusions ④ to platform assembly ① using twenty-four bolts ⑩.

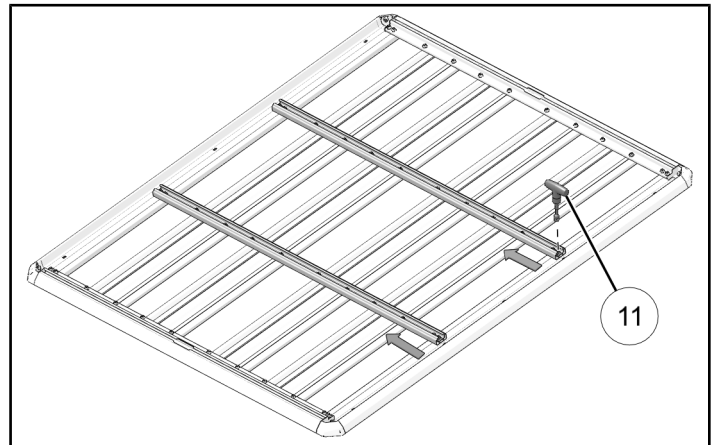
Do not torque bolts at this time.



2. Torque all bolts sequentially from one end with torque tool ⑪.

NOTICE

Turn each bolt with torque tool until it clicks.



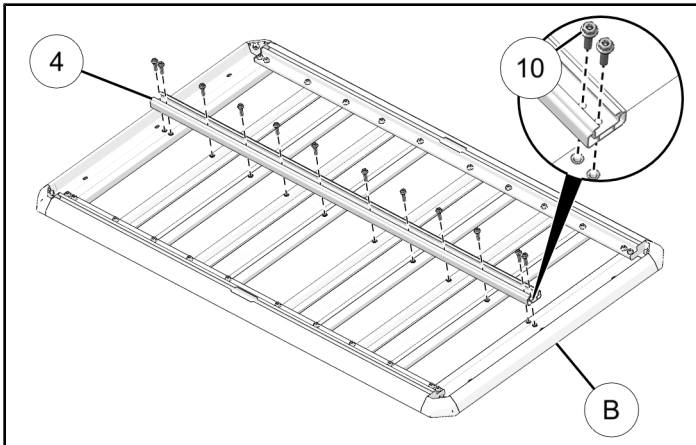
SINGLE UNDERBAR EXTRUSION INSTALLATION

IMPORTANT

Single underbar extrusion platform rack can be used on two-seat and three-seat vehicles and on the cargo box.

1. Install one underbar extrusion ④ to platform assembly ⑧ using twelve bolts ⑩.

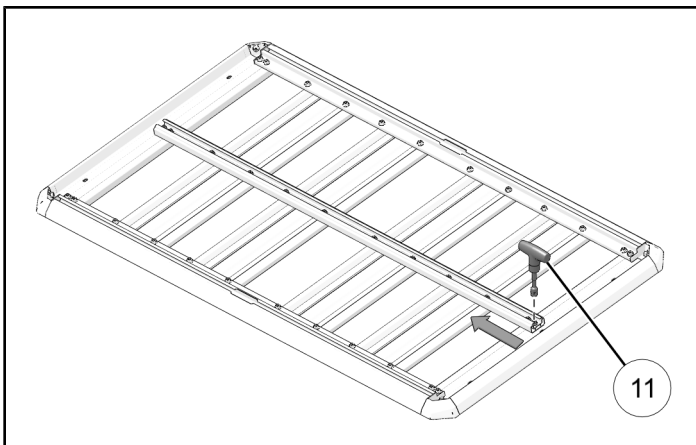
Do not torque bolts at this time.



2. Torque all bolts sequentially from one end with torque tool ⑪.

NOTICE

Turn each bolt with torque tool until it clicks.



PLATFORM RACK LOAD RATINGS

CREW ROOF PLATFORM RACK P/N 2889237,
TWO-SEAT ROOF PLATFORM RACK P/N 2889590,
THREE-SEAT ROOF PLATFORM RACK P/N 2889236

IMPORTANT

Weight limit of Roof Platform Rack is 150 lbs/68 kg. To prevent damage to Roof Platform Rack never exceed the standard weight limit of 150 lbs/68 kg.

CARGO BOX PLATFORM RACK P/N 2889236 AND P/N 2889590

IMPORTANT

Weight limit of Cargo Box Platform Rack is 150 lbs/68 kg. To prevent damage to Cargo Box Platform Rack never exceed the standard weight limit of 150 lbs/68 kg.

INSTRUCTION FEEDBACK FORM

A feedback form has been created for the installer to provide any comments, questions or concerns about the installation instructions. The form is viewable on mobile devices by scanning the QR code or by clicking [HERE](#) if viewing on a PC.

