

LIGHT BAR HARNESS KIT



P/N 2889291

BEFORE YOU BEGIN

Read these instructions and check to be sure all parts and tools are accounted for. Please retain these installation instructions for future reference and parts ordering information.

APPLICATION

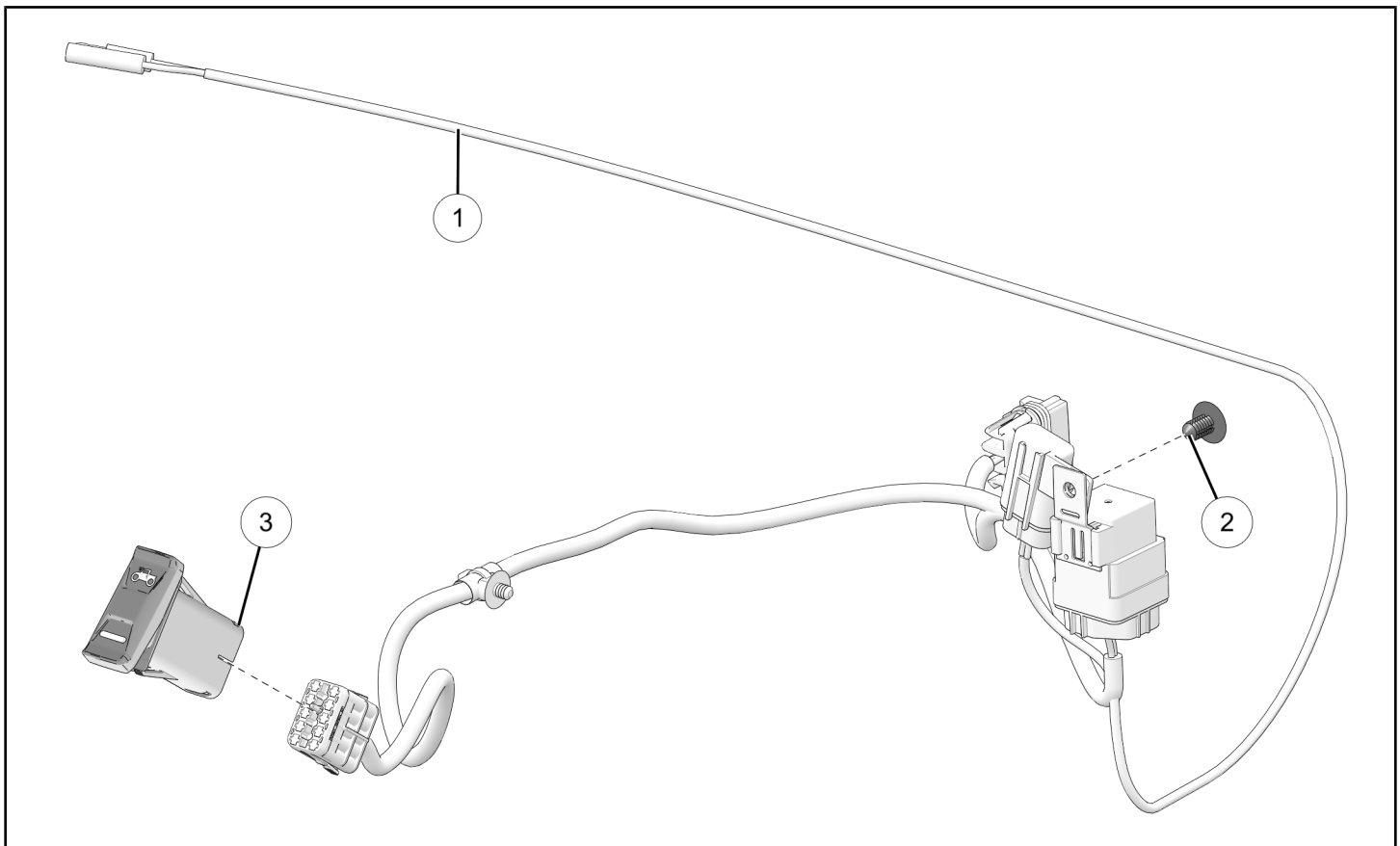
Verify accessory fitment at www.polaris.com.

REQUIRED SOLD SEPARATELY

Only parts for installation of the Light Bar Harness Kit are included. Prior installation of one of the following additional light bar configurations is also required (sold separately):

- *Roof Light Bar Mount Kit*, P/N 2884650 and *32 in Light Bar*, P/N 2884648
- *Fascia Light Bar Mount Kit*, P/N 2884510 and *6 in Light Bar*, P/N 2884649

KIT CONTENTS



| REF | QTY | PART DESCRIPTION | P/N AVAILABLE SEPARATELY |
|-----|-----|-------------------|--------------------------|
| 1 | 1 | Harness–Light Bar | n/a |
| 2 | 1 | Clip–Plastic Dart | 7670088 |
| 3 | 1 | Switch–Light Bar | 4019970-21 |

TOOLS REQUIRED

- Safety Glasses
- Socket Set, Torx® Bit
- Torque Wrench

IMPORTANT

Your Light Bar Harness Kit is exclusively designed for your vehicle. Please read the installation instructions thoroughly before beginning. Installation is easier if the vehicle is clean and free of debris. For your safety, and to ensure a satisfactory installation, perform all installation steps correctly in the sequence shown.

INSTALLATION INSTRUCTIONS

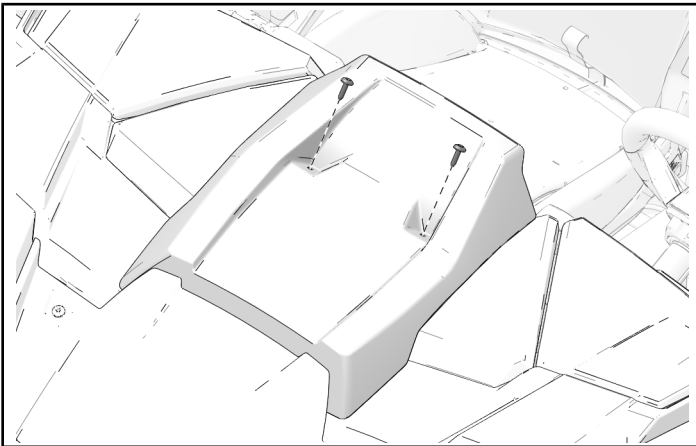
VEHICLE PREPARATION

GENERAL

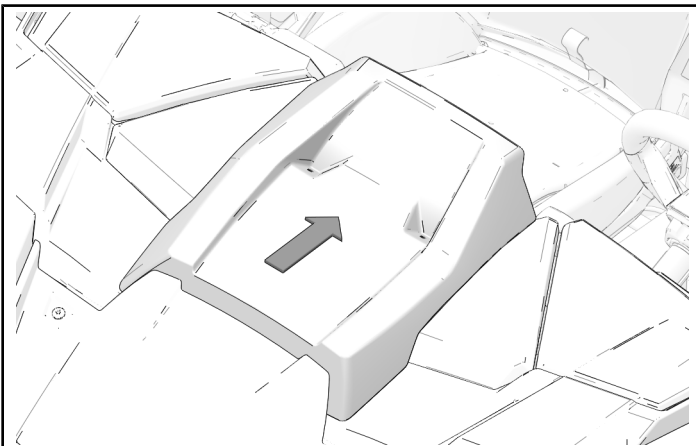
1. Park vehicle on a flat surface.
2. Shift vehicle into PARK.
3. Turn key to OFF position and remove key.
4. Install *Roof Light Bar Mount Kit* and *32 in Light Bar* or *Fascia Light Bar Mount Kit* and *6 in Light Bar*.

CENTER DASHBOARD REMOVAL

1. Remove and keep two dashboard fasteners.



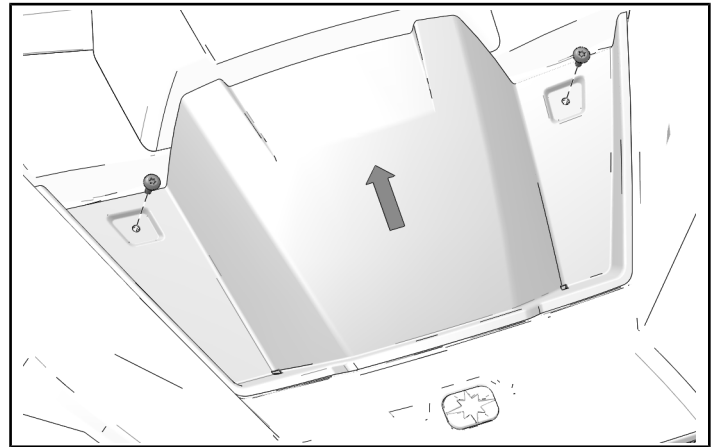
2. Pull panel rearward to remove.



ROOF LIGHT BARS ONLY

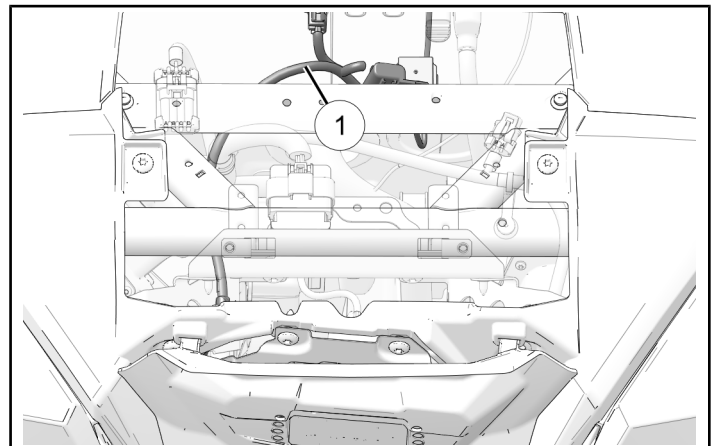
HOOD REMOVAL

1. Remove and keep two hood fasteners. Move hood rearward to remove.

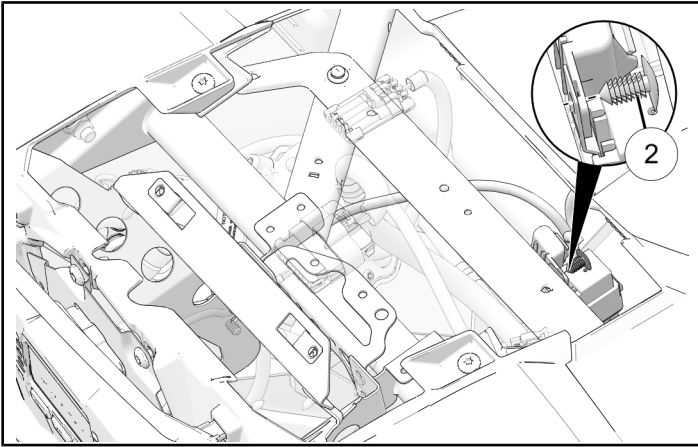


ACCESSORY INSTALLATION

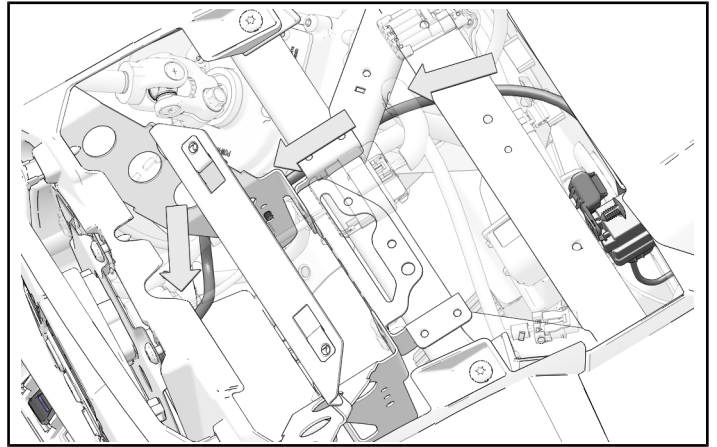
1. Put light bar ① harness in dashboard opening.



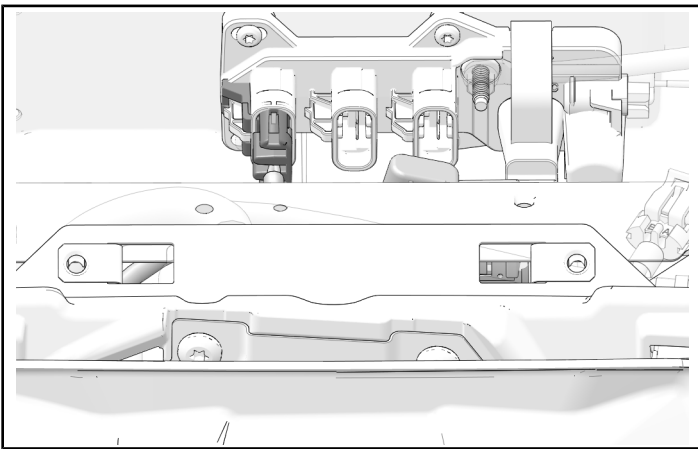
2. Install fuse center and relay center to chassis with one push-dart (2).



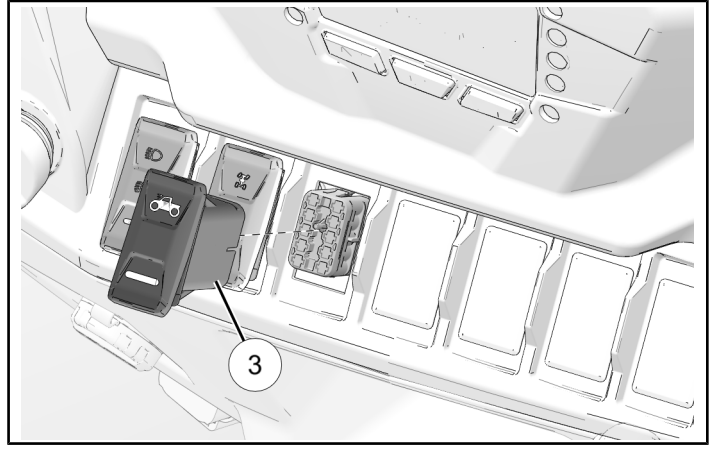
5. Route switch connector under chassis cross-beams and towards switch opening.



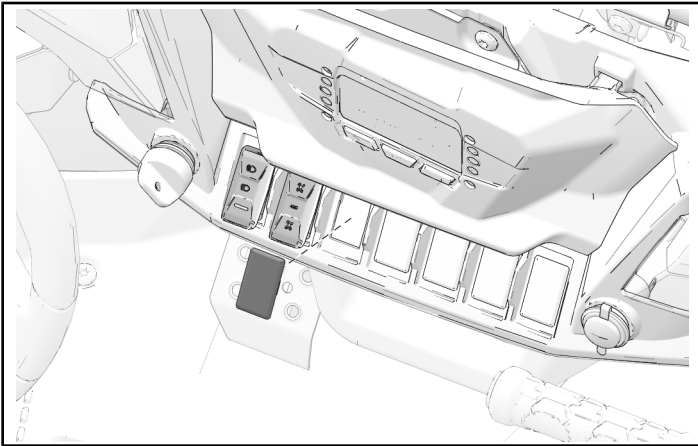
3. Install power connector to Polaris Pulse® bar.



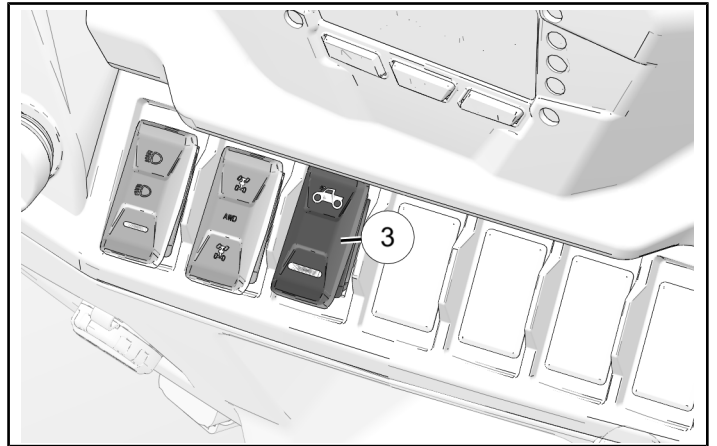
6. Install switch (3) to harness connector.



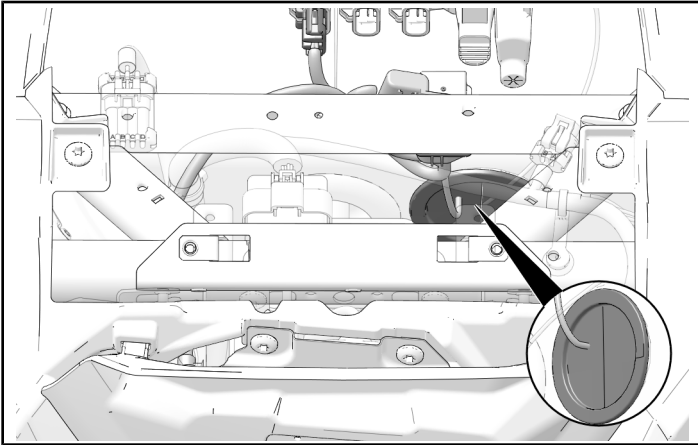
4. Reach behind dashboard bezel and push one switch blank out.



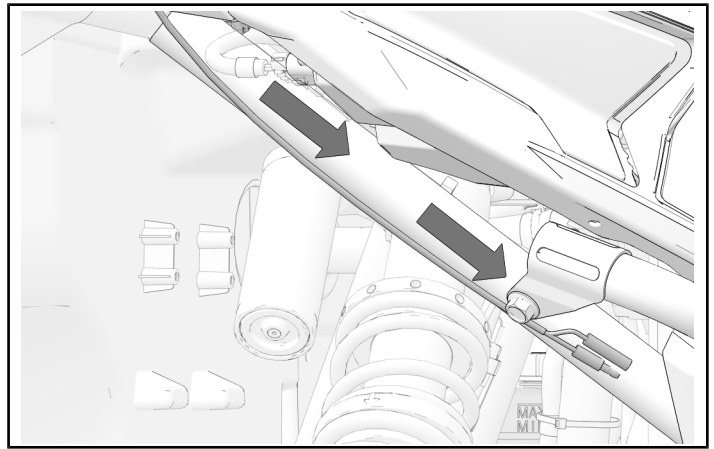
7. Push switch (3) into dashboard bezel until it snaps into place.



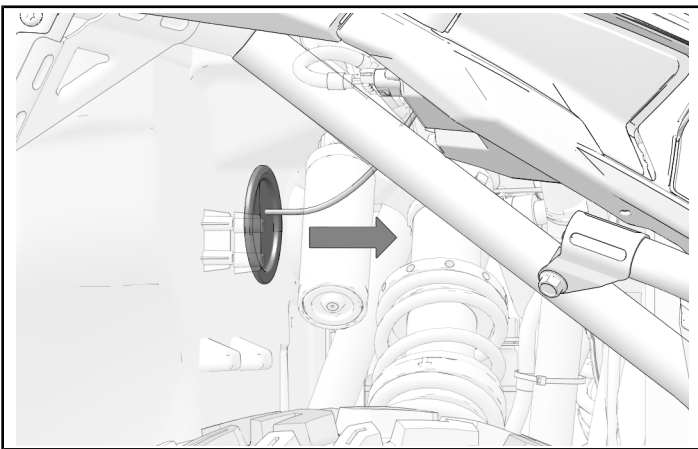
8. Route two bullet connectors through grommet in firewall.



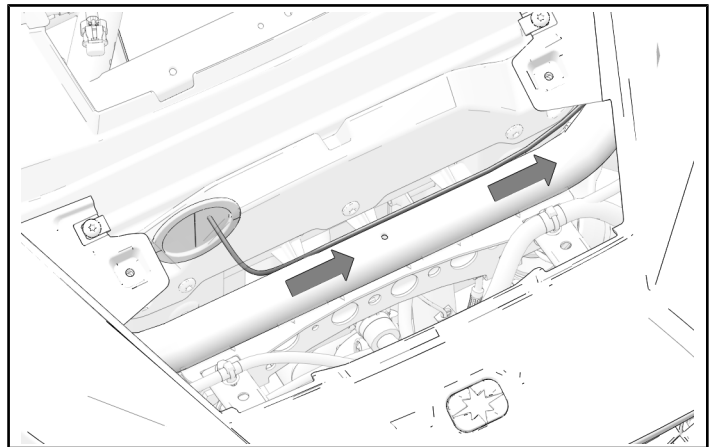
- Fascia Light Bar



9. Pull bullet connectors out of grommet in firewall.



- Roof Light Bar



10. Route bullet connectors to light bar. Use cable ties ④ as needed.

IMPORTANT

Route the harness away from moving parts.

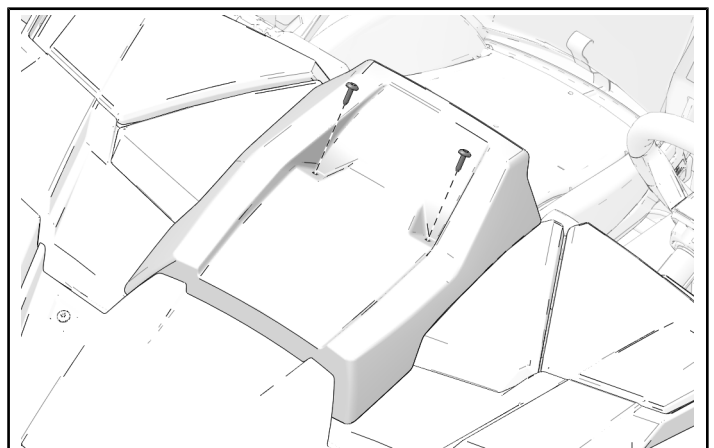
VEHICLE REASSEMBLY

DASHBOARD CENTER INSTALLATION

1. Install center dashboard panel with two retained fasteners. Torque fasteners to specification.

TORQUE

Dashboard Fasteners:
88 in-lbs (10 N·m)



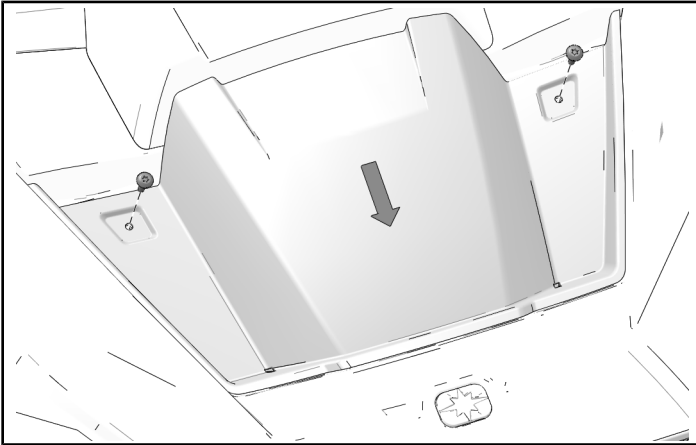
ROOF LIGHT BARS ONLY

HOOD INSTALLATION

1. Move hood forward, into outer hood panel, and install with two retained fasteners. Torque fasteners to specification.

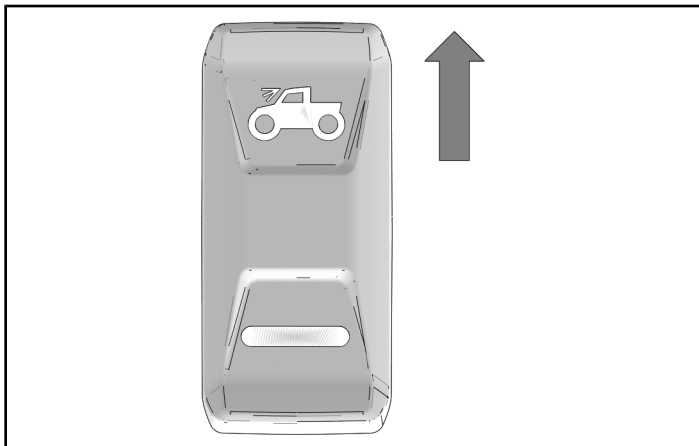
TORQUE

Hood Fasteners:
88 in-lbs (10 N·m)

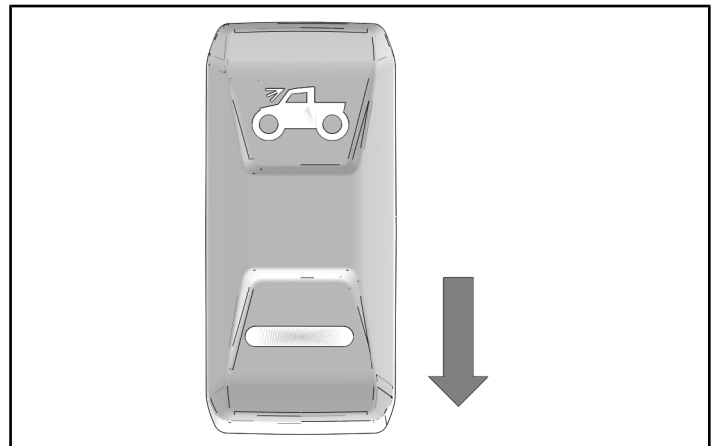


OPERATION

Press top of rocker switch to turn light bar on.



Press bottom of rocker switch to turn light bar off.



INSTRUCTION FEEDBACK FORM

A feedback form has been created for the installer to provide any comments, questions or concerns about the installation instructions. The form is viewable on mobile devices by scanning the QR code or by clicking [HERE](#) if viewing on a PC.

