

# CHASE LIGHT MOUNT KIT



P/N 2889121; 2889293

## BEFORE YOU BEGIN

Read these instructions and check to be sure all parts and tools are accounted for. Please retain these installation instructions for future reference and parts ordering information.

## APPLICATION

Verify accessory fitment at [www.polaris.com](http://www.polaris.com).

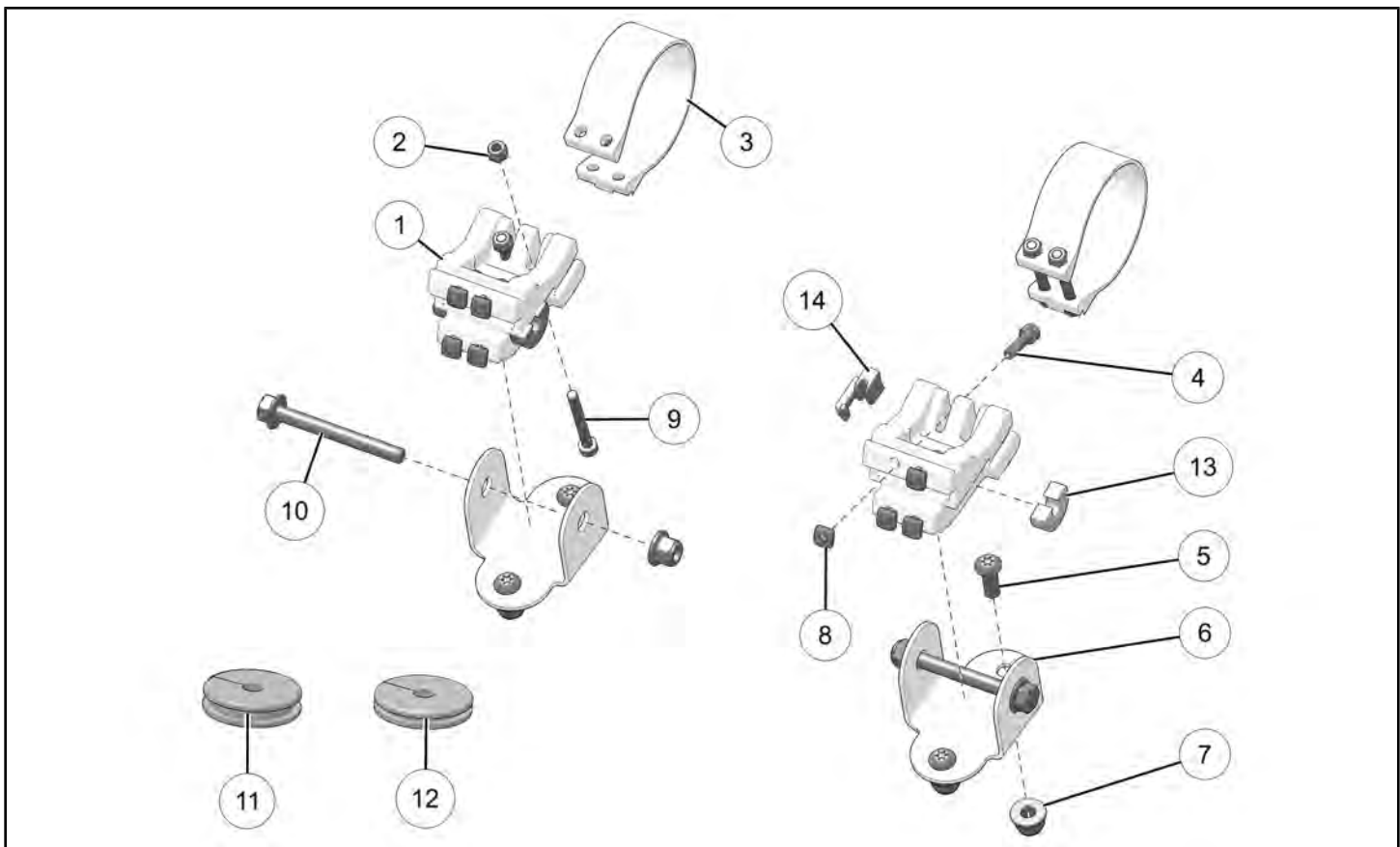
## REQUIRED SOLD SEPARATELY

Only parts for installation of the Chase Light Mount Kit are included. For complete installation, the following additional kit is required (sold separately):

- *Rigid® Chase Light*, P/N 2884359

## KIT CONTENTS

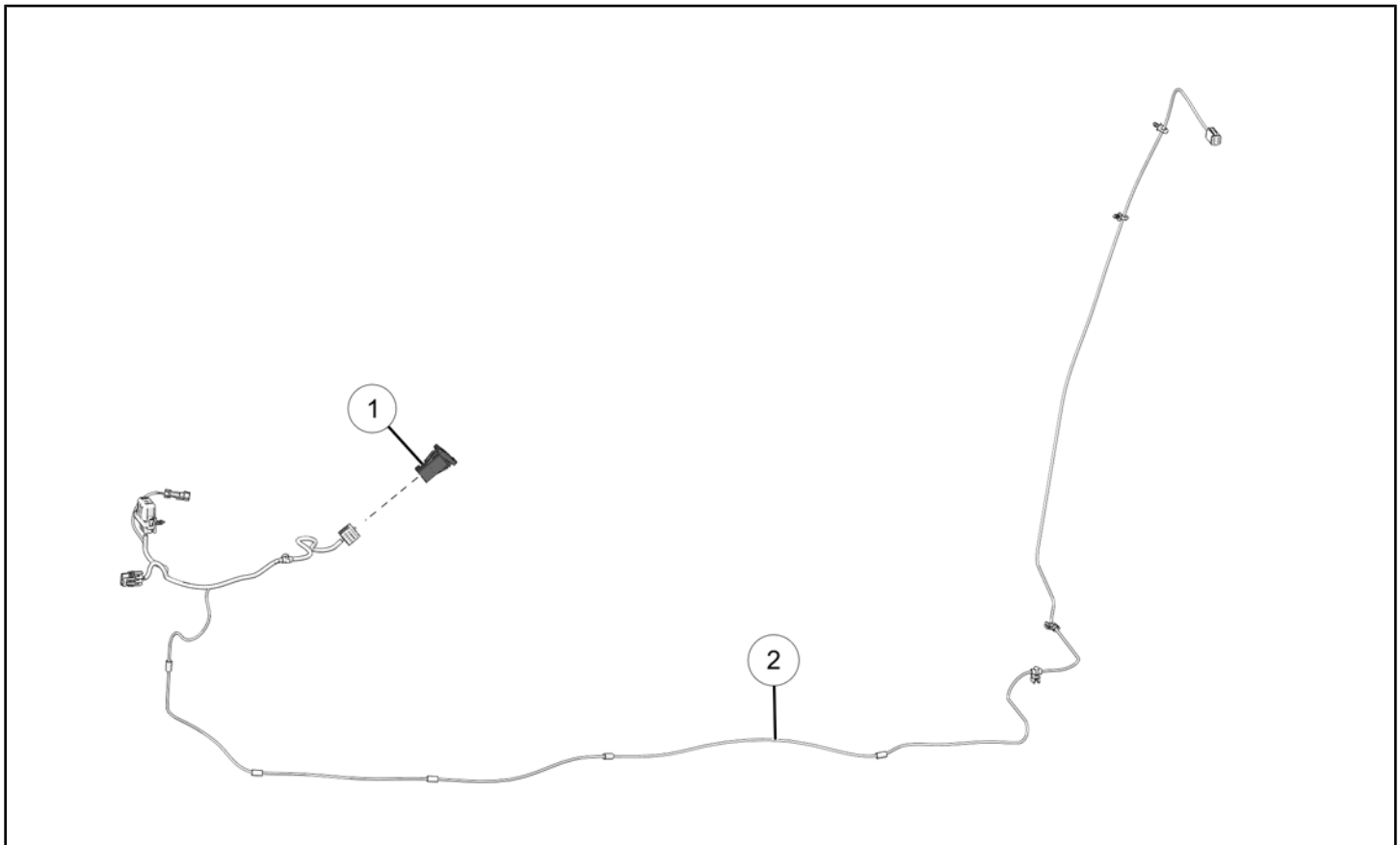
### CHASE LIGHT MOUNT KIT P/N 2889121



REF	QTY	PART DESCRIPTION	P/N AVAILABLE SEPARATELY
1	2	Puck-Mounting, Angled	n/a
2	4	Nut-Hex, Nylon Locking, M4 x 0.7 mm	n/a
3	2	Clamp-Band	n/a

REF	QTY	PART DESCRIPTION	P/N AVAILABLE SEPARATELY
4	8	Screw–Socket Head, M4 x 0.7 x 16 mm	n/a
5	4	Screw–Torx® Button Head, M6 x 1.0 x 16 mm	n/a
6	2	Mount–Roof	n/a
7	6	Nut–Hex Flange, Nylon Locking, M6	n/a
8	8	Nut–Square, M4 x 0.7 mm	n/a
9	4	Screw–Socket Head, M4 x 0.7 x 35 mm	n/a
10	2	Screw–Hex Flange, M6 x 1.0 x 55 mm	n/a
11	1	Grommet–Split (for poly roof)	n/a
12	1	Grommet–Split, small (for aluminum roof)	n/a
13	4	Spacer, D-shape	n/a
14	4	Bumper, Rubber	n/a

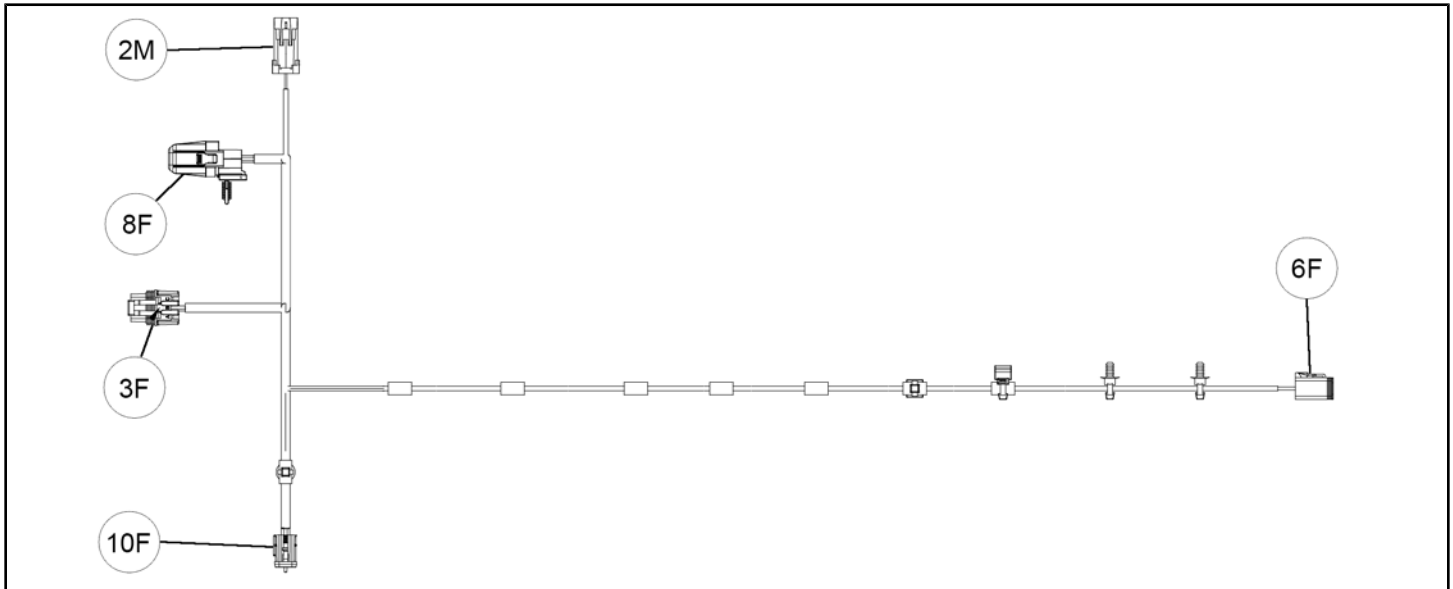
### CHASE LIGHT HARNESS KIT P/N 2889293



REF	QTY	PART DESCRIPTION	P/N AVAILABLE SEPARATELY
1	1	Switch–Light	4080801-20
2	1	Harness–Light, Chase	2415741
3	25	Cable Tie (not shown)	7080138

# HARNES DETAIL

## CHASE LIGHT HARNESS



REF	PART DESCRIPTION	CONNECTS TO
10F	Power Control to Chase Light	Chase Light Switch
8F	Chase Light Fuse Block	Mini-fuse box
3F	Power/Ground from Pulse Bar	Pulse Bar
2M	Brake/Reverse Signal to Chase Light	Brake Light, Accy
6F	Signal to Chase Light	Chase Light

Example: 16F = 16 pin, Female / 16M = 16 pin, Male (Male terminal fits inside female terminal)

### TOOLS REQUIRED

- Safety Glasses
- Deburring Tool
- Drill
- Drill Bit:
  - 0.25 in (6.35 mm)
- Hex Key Set, Metric
- Hole Saw:
  - 1.25 in (31.75 mm)
- Pliers, Side Cutting
- Push Dart (Panel Clip) Tool
- Socket Set, Metric
- Tape Measure
- Torque Wrench
- Wrench Set, Metric

### IMPORTANT

Your Chase Light Mount Kit is exclusively designed for your vehicle. Please read the installation instructions thoroughly before beginning. Installation is easier if the vehicle is clean and free of debris. For your safety, and to ensure a satisfactory installation, perform all installation steps correctly in the sequence shown.

# INSTALLATION INSTRUCTIONS

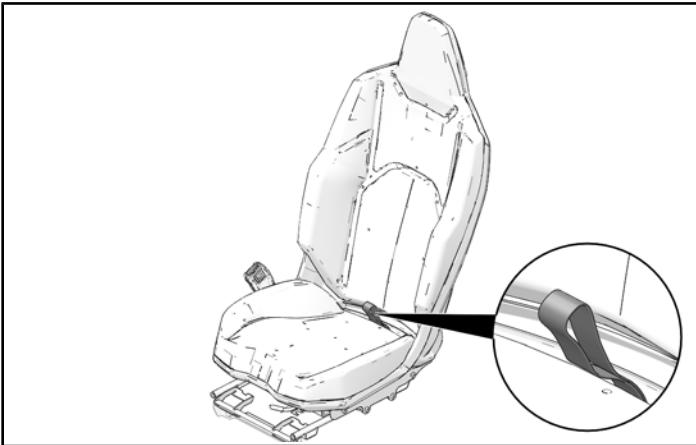
## VEHICLE PREPARATION

### GENERAL

1. Park vehicle on a flat surface.
2. Shift vehicle into PARK.
3. Turn key to OFF position and remove key.

### SEAT REMOVAL

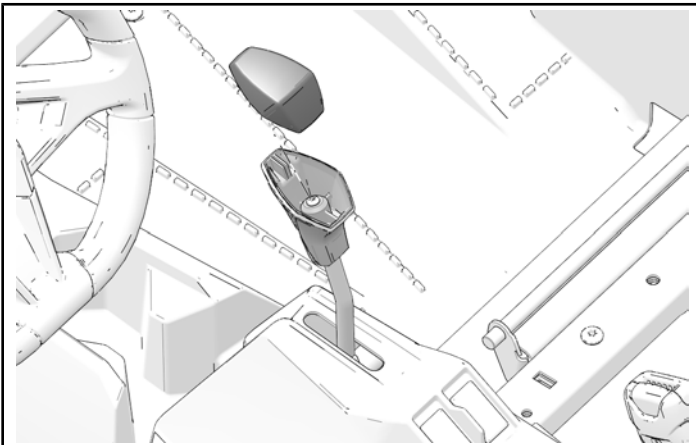
1. Pull strap to disengage seat. Tilt seat forward and remove from vehicle.



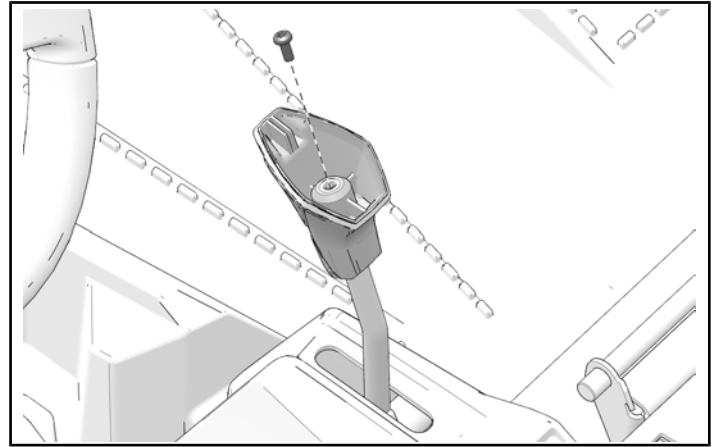
### TWO PASSENGER VEHICLES

#### CENTER CONSOLE REMOVAL

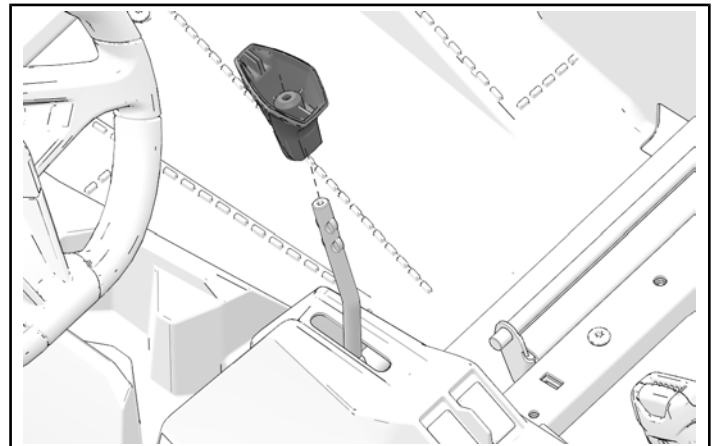
1. Remove and keep shifter cover.



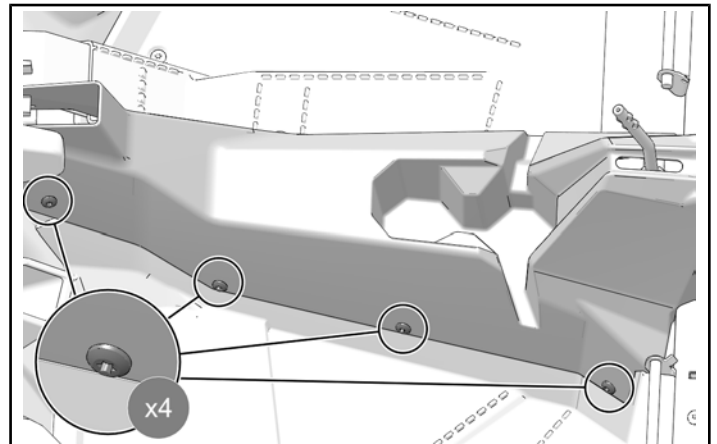
2. Remove and keep one fastener from shifter handle.



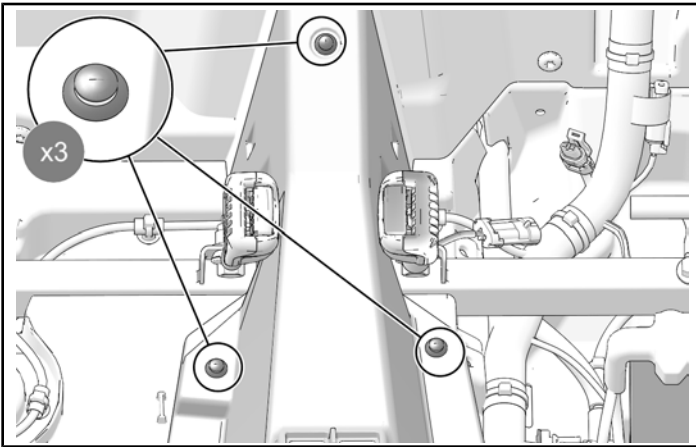
3. Remove and keep shifter handle.



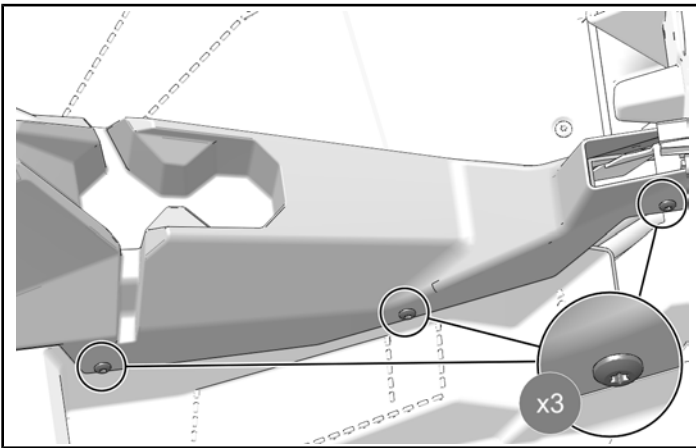
4. Remove four fasteners from the left-side of the center console.



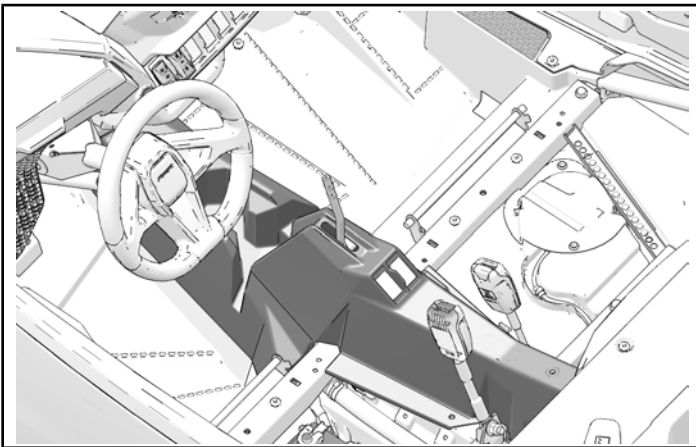
5. Remove three push-pin rivets from the rear of the center console.



6. Remove three fasteners from the right-side of the center console.



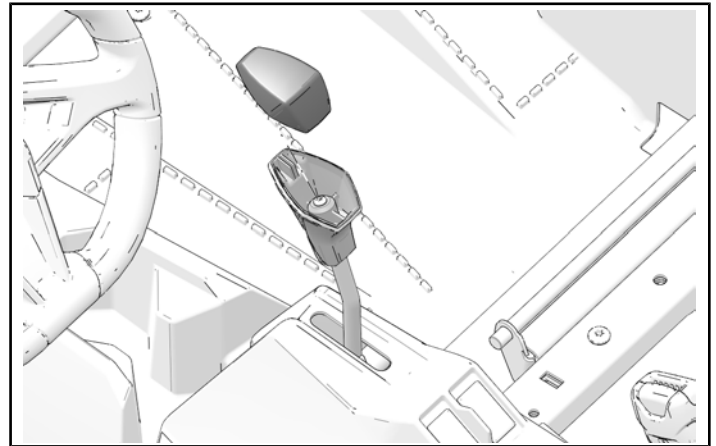
7. Remove center console from vehicle.



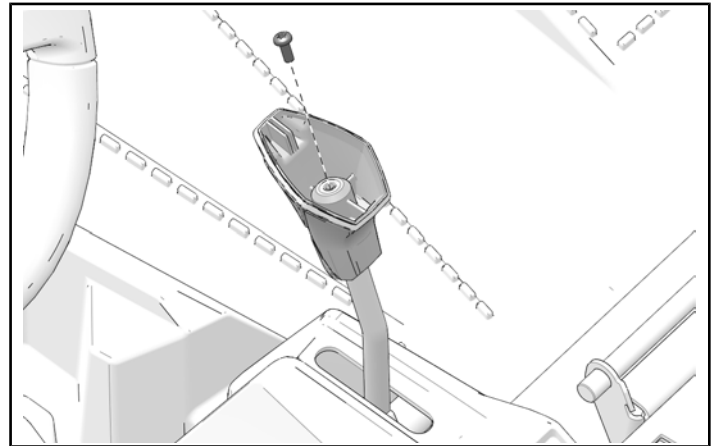
## **MULTI-PASSENGER VEHICLES**

### **FRONT CENTER CONSOLE REMOVAL**

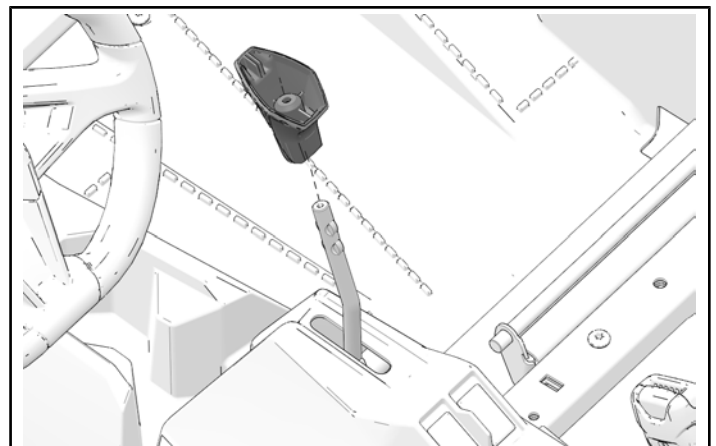
1. Remove and keep shifter cover.



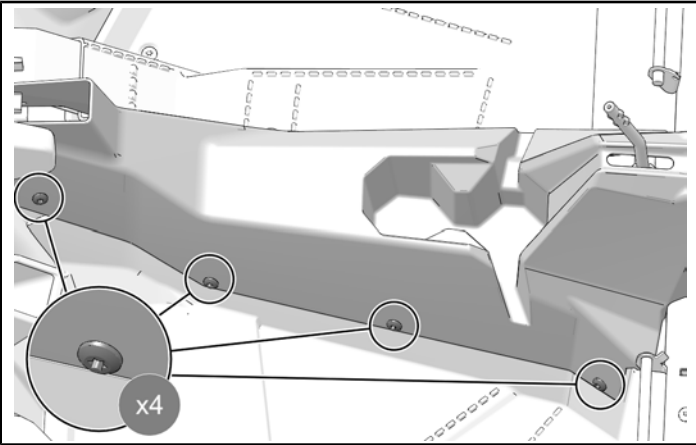
2. Remove and keep one fastener from shifter handle.



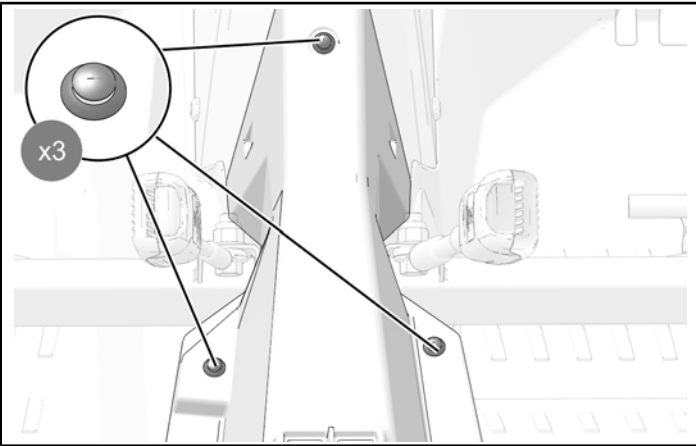
3. Remove and keep shifter handle.



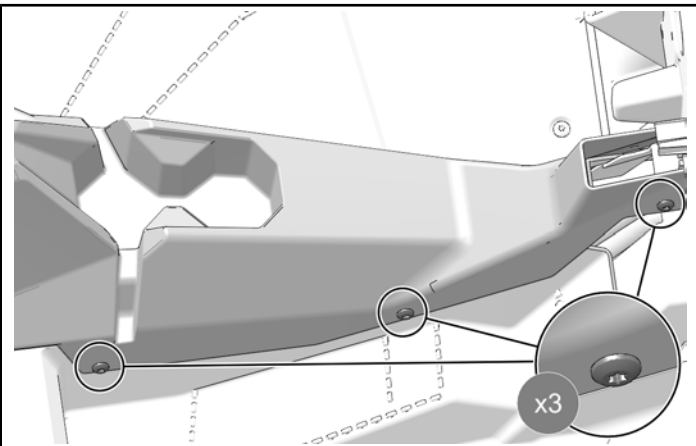
4. Remove four fasteners from the left-side of the center console.



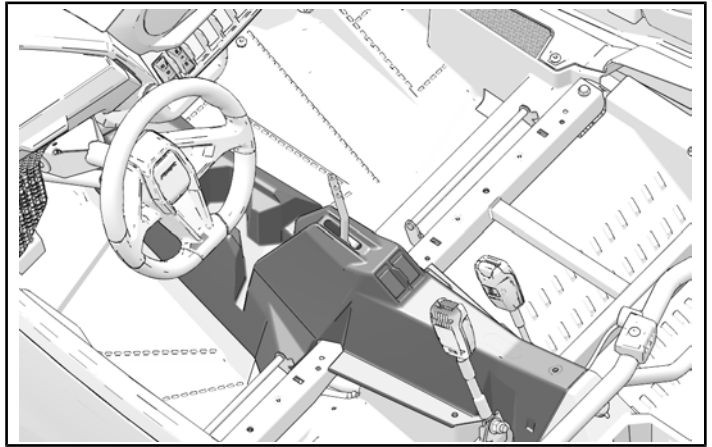
5. Remove three push-pin rivets from the rear of the center console.



6. Remove three fasteners from the right-side of the center console.

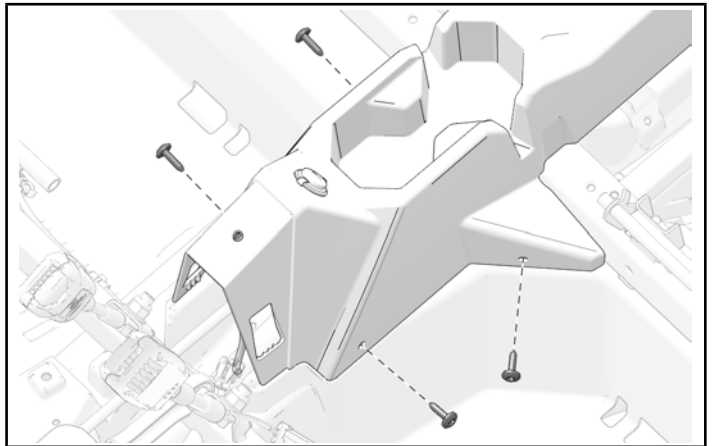


7. Remove center console from vehicle.



### REAR CENTER CONSOLE REMOVAL

1. Remove four fasteners from rear center console.

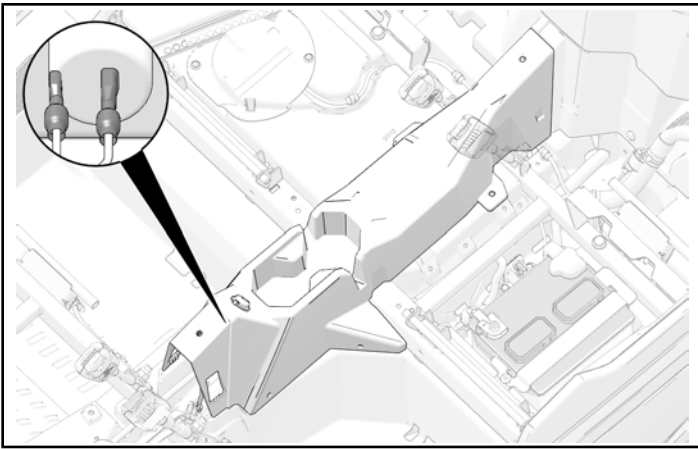


2. Remove three push-pin rivets from rear center console.

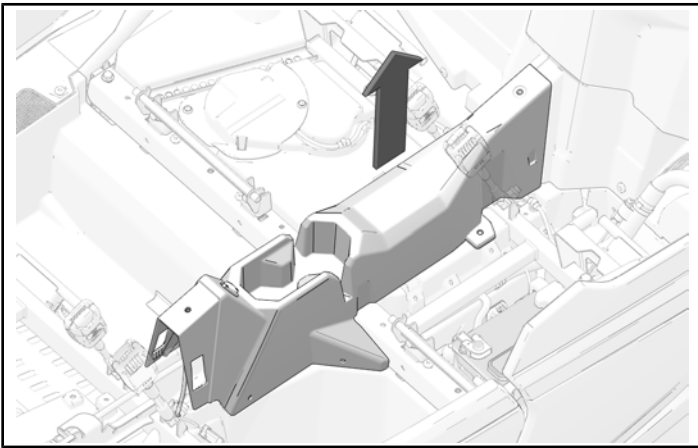




3. Disconnect 12 V receptacle.

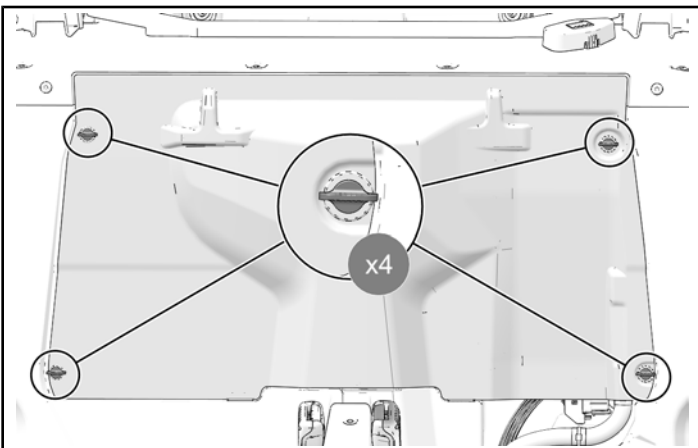


4. Remove rear center console from vehicle.



### ACCESS PANEL REMOVAL

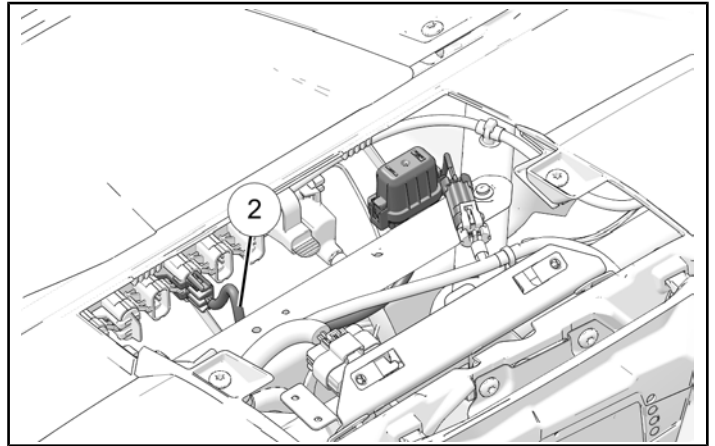
1. Turn four 1/4-turn knobs to remove access panel.



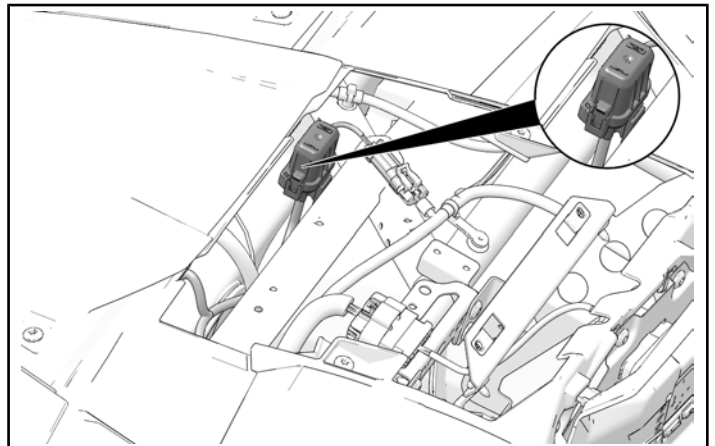
## ACCESSORY INSTALLATION

### HARNESS ROUTING

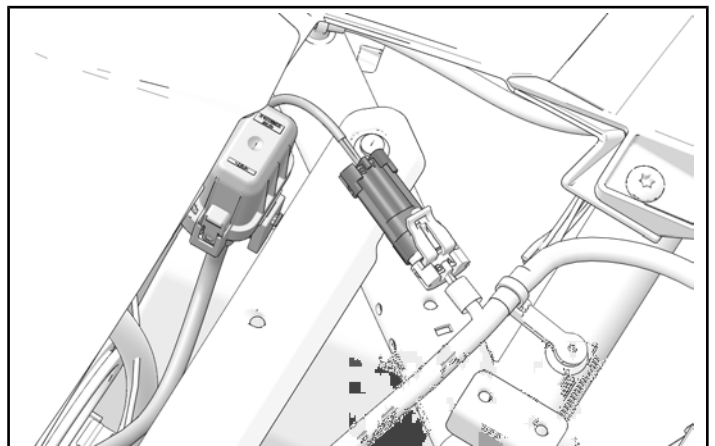
1. Put chase light harness ② in dashboard opening.



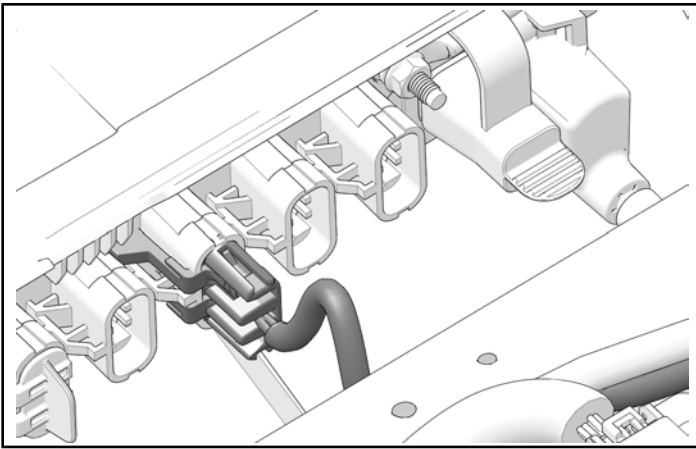
2. Install fuse block to chassis cross-beam.



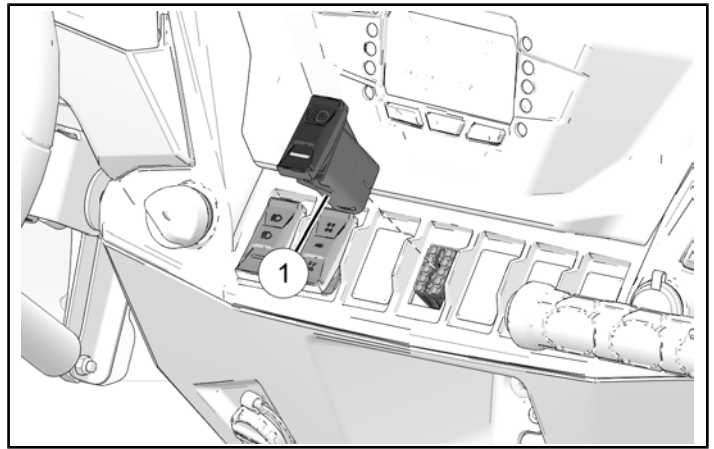
3. Install brake light and reverse connector to chassis electrical harness.



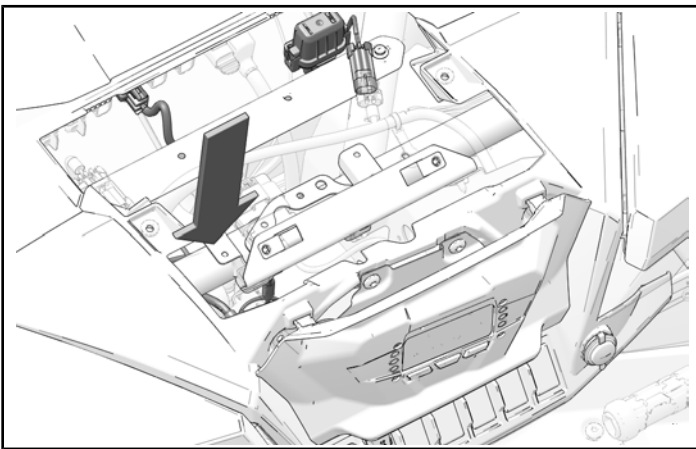
4. Install power connector to Polaris Pulse® bar.



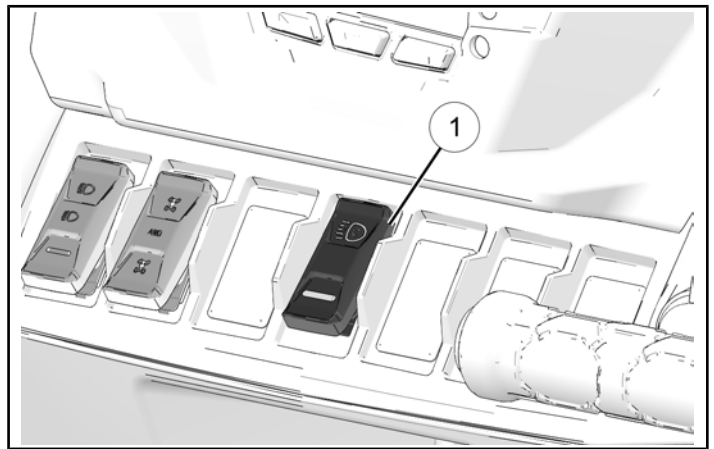
7. Install light bar switch ① to switch connector.



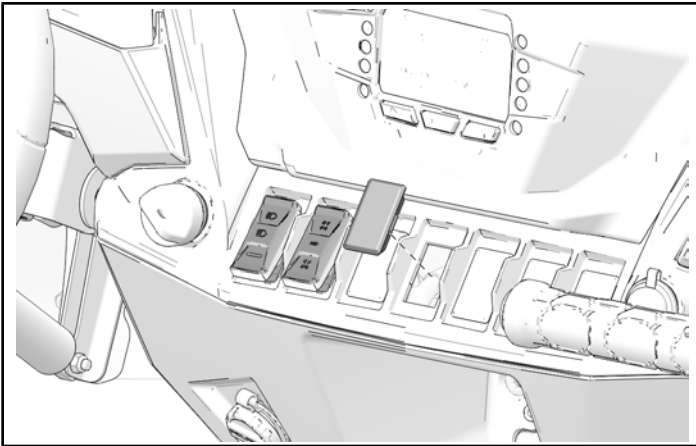
5. Put remaining harness, switch connector, and chase light connector down towards tunnel.



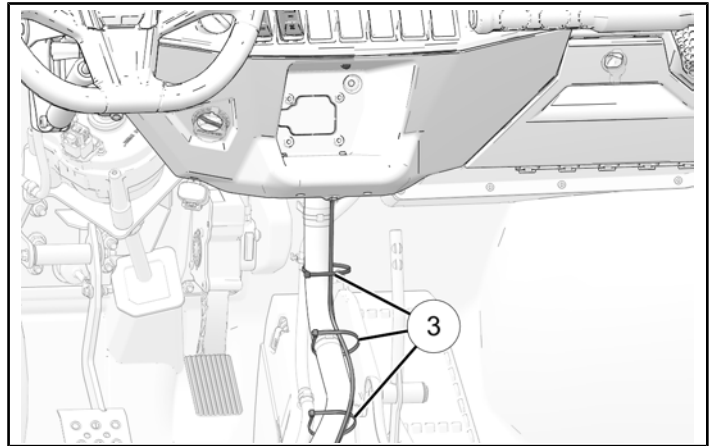
8. Push switch ① into dashboard until it snaps into place.



6. Reach behind dashboard and push out switch blank.



9. Route chase light harness along chassis electrical harness with cable ties ③.



10. Route chase light harness along chassis electrical harness with cable ties ③.

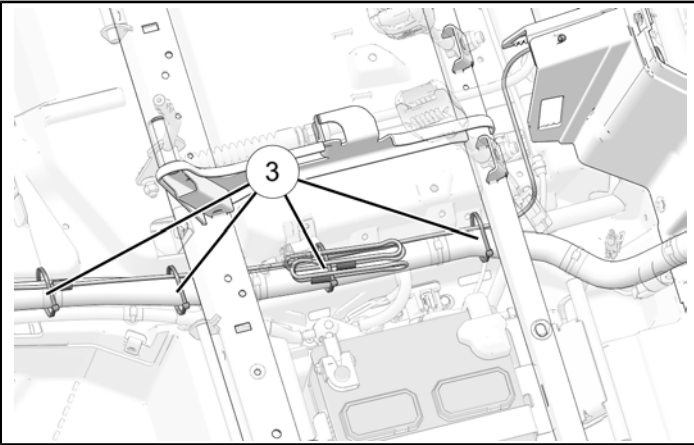
**TIP**  
Route harness under seat base(s).



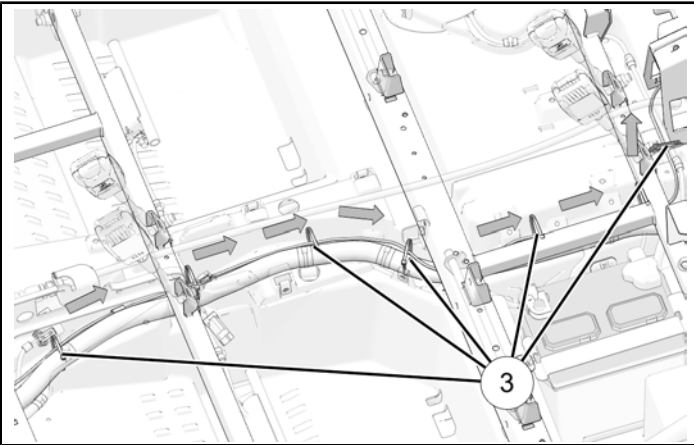
• **Two Passenger Vehicles**

**NOTICE**

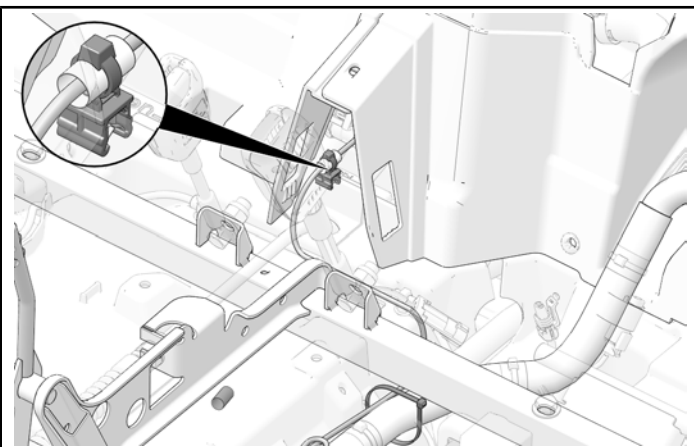
Gather excess harness near battery and attach to chassis electrical harness with a cable tie ③.



• **Multi-Passenger Vehicles**



11. Route harness to engine bay and attach to vehicle body with one edge-clip.



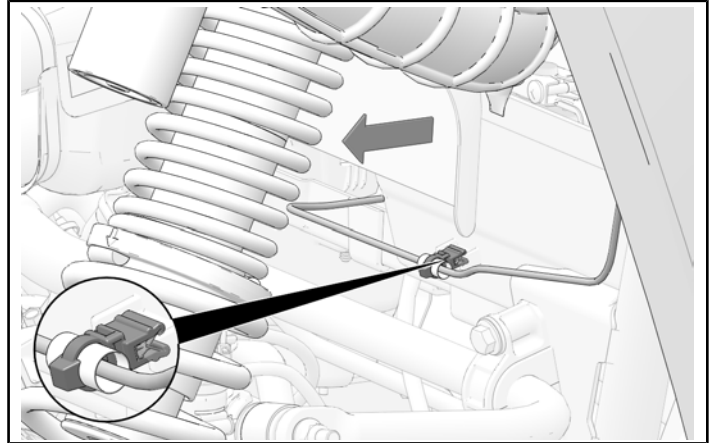
12. Pull harness from vehicle cabin and route to right side of vehicle. Attach to vehicle body with one edge-clip. Use cable ties ③, as needed.

**TIP**

View from right-rear wheel well.

**IMPORTANT**

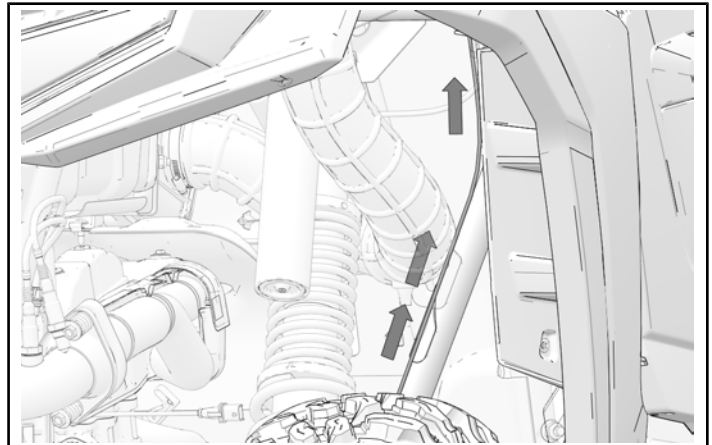
Route harness away from moving parts.



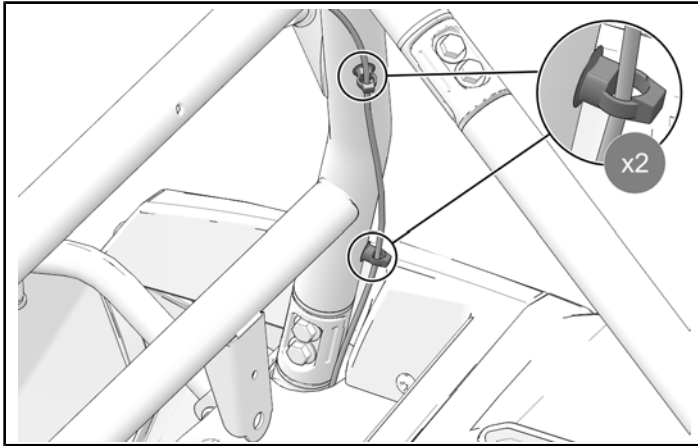
13. Route harness along chassis tube and up towards roll cage. Attach to chassis and vehicle with cable ties ③, as needed.

**IMPORTANT**

Route harness away from moving parts.



- Pull light bar connector through opening between roll cage and vehicle body. Install to roll cage with two push-pin clips.



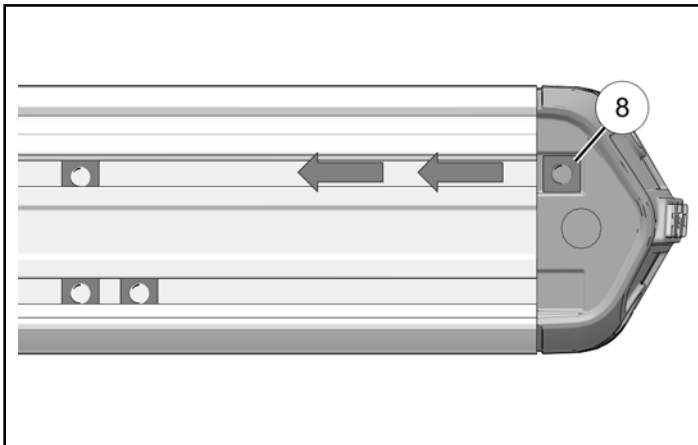
- Connect light bar connector to chase light, on roll cage or roof, and use cable ties ③ to attach excess harness to roll cage.

### LIGHT BAR ASSEMBLY

#### NOTICE

One clamp shown; two required for installation.

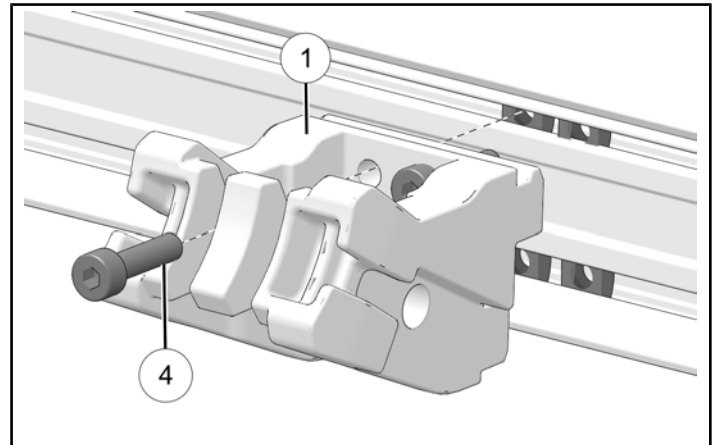
- Put four square nuts ⑧ into rear rail of chase light. Move square nuts inward.



- Align one puck mount ① with four square nuts and loosely install with four fasteners ④.

#### TIP

Do NOT torque fasteners at this time.



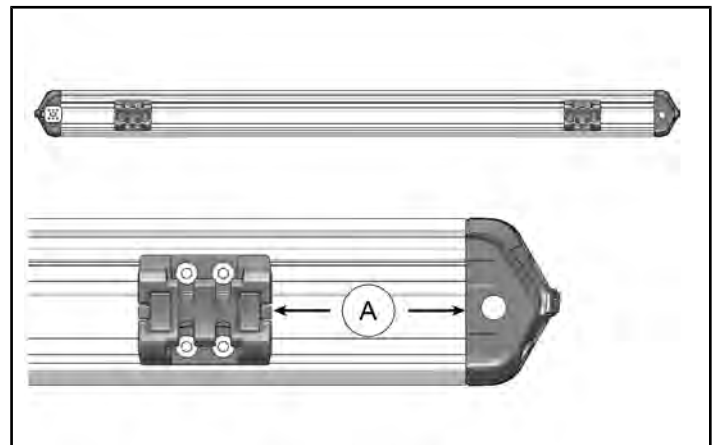
- Move mounts according to distance, as shown below.

#### MEASUREMENT

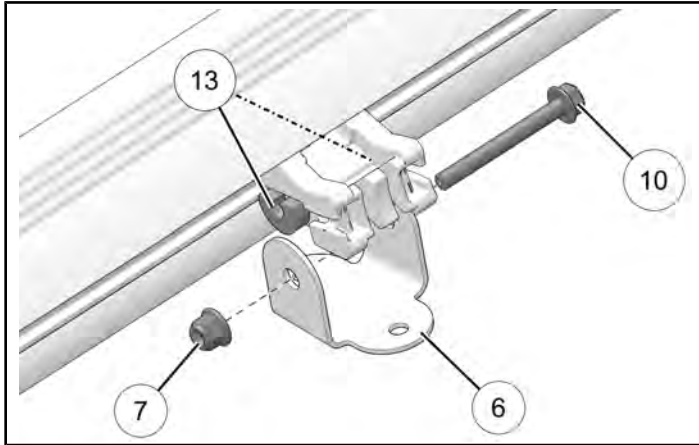
Roll Cage Installation Approximate Measurement (A):  
**6 in (150 mm)**

#### MEASUREMENT

Roof Installation Approximate Measurement (A):  
**5-1/8 in (130 mm)**



- Insert D-shape spacers ⑬ on both sides of the puck. Put puck mounts within roof mount ⑥ and install with one bolt ⑩ and nut ⑦ per mount. Tighten until snug. Do NOT torque fasteners at this time.



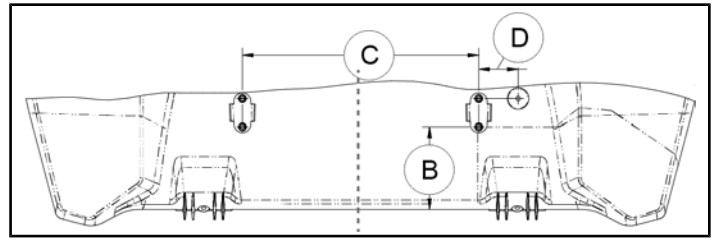
## ROOF MOUNTS

### NOTICE

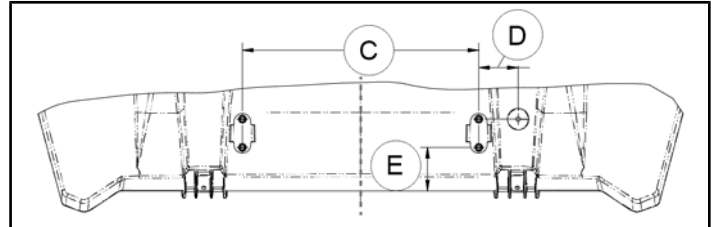
If no roof is installed, skip to Roll Cage Mount. Roof mounts included for use when a spare tire rack is installed so the chase light is above the spare tire. Poly roof shown in most steps. Aluminum roof similar.

- Locate and mark the center-line of the roof with tape.
  - Poly roof – use the center rib on the underside as a reference point.
  - Aluminum roof – measure distance between the roof mounting fasteners and divide in half.
- Using the following dimensions, mark the locations of the mount brackets on the roof.

### • Poly Roof – 2 Passenger



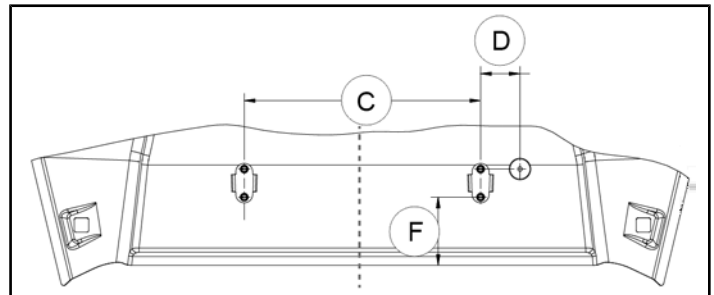
### Poly Roof – Multi- Passenger



### MEASUREMENT

- Ⓑ: 5.75 in (147 mm)
- Ⓒ: 16.50 in (420 mm) / 8.25 in (210 mm) from roof center-line
- Ⓓ: 2.75 in (70 mm)
- Ⓔ: 3.00 in (77 mm)

### • Aluminum Roof Mounts

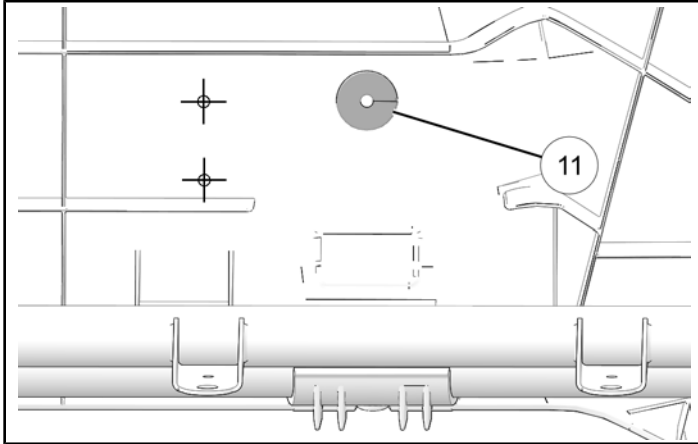


### MEASUREMENT

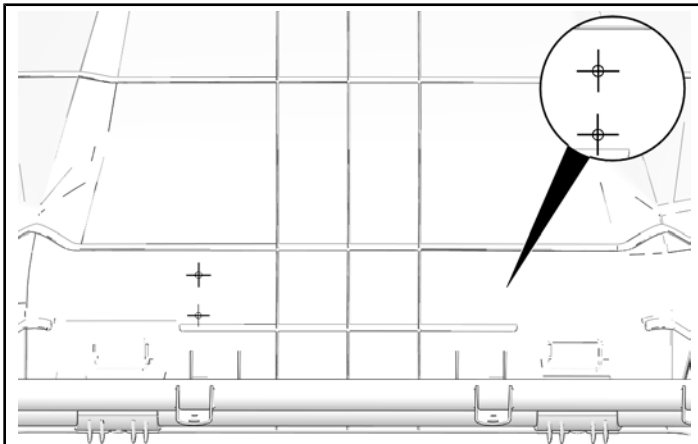
- Ⓒ: 16.50 in (420 mm) / 8.25 in (210 mm) from roof center-line
- Ⓓ: 2.75 in (70 mm)
- Ⓕ: 4.75 in (121 mm)

- Mark the roof approximately ② 2.75 in (70 mm) from the upper right mounting hole, as shown in step 2.
- Drill a hole in the roof at the mark made in step 3 using a 1.25 in (31.75 mm) hole saw.

- Smooth the edge of the hole using a deburring tool. Install rubber grommet ⑪ for poly roof or ⑫ for aluminum roof.



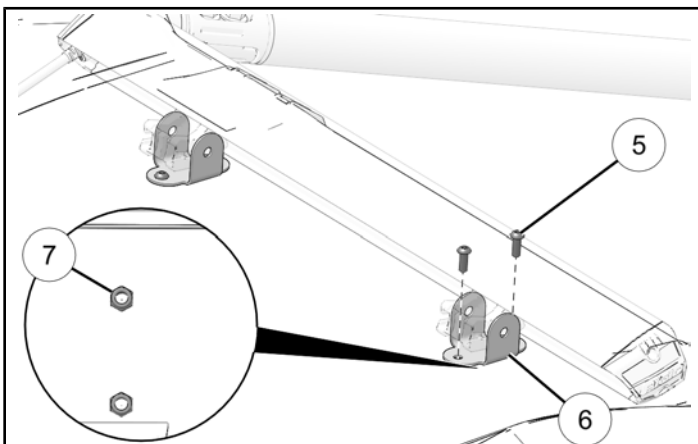
- Drill four 0.25 in (6.35 mm) holes in roof at the marks created in step 2.



- Install each roof mount ⑥ with two screws ⑤ and two nuts ⑦. Counter-hold nuts and torque screws until fully seated.

#### NOTICE

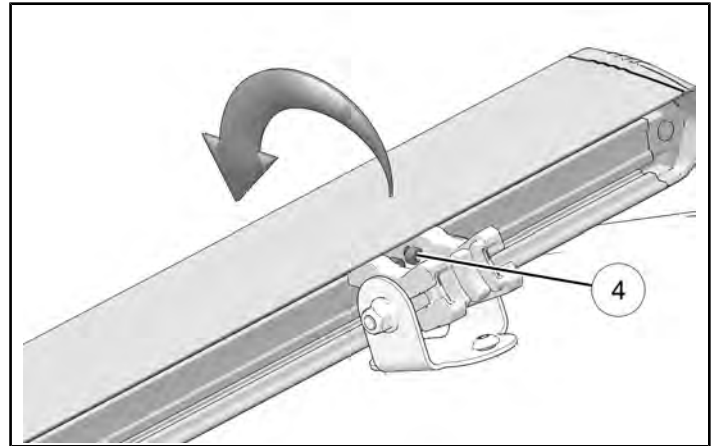
Light bar assembly hidden for clarity.



- Rotate chase light downward to access the mounting fasteners ④. Torque fasteners to specification.

#### TORQUE

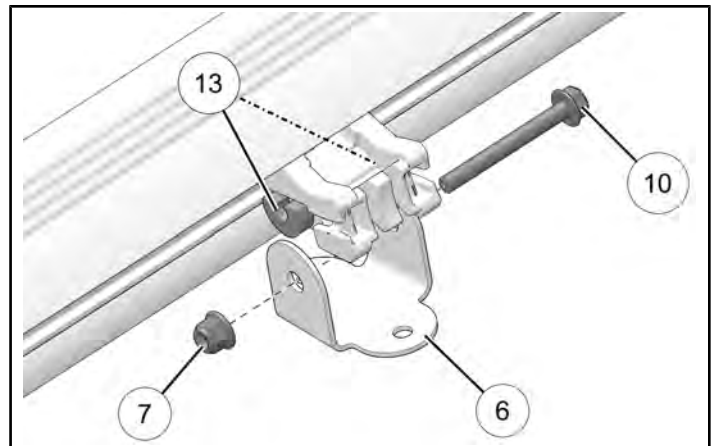
Mount Fasteners ④:  
6 in-lbs (1 N·m)



- Counter-hold nut ⑦ and torque bolt ⑩ to specification.

#### TORQUE

Roof Mount Bolts ⑩:  
12 ft-lbs (16 N·m)



#### ROLL CAGE MOUNT

#### NOTICE

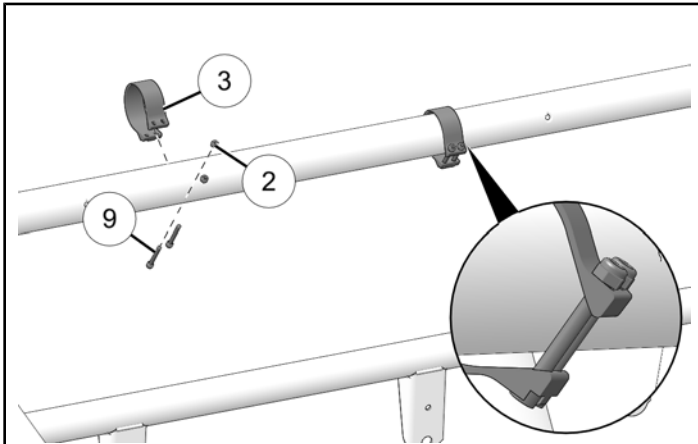
Roll cage mount is primarily used when no spare tire rack is present or no obstructions in cargo bed that would restrict line of sight of the chase light



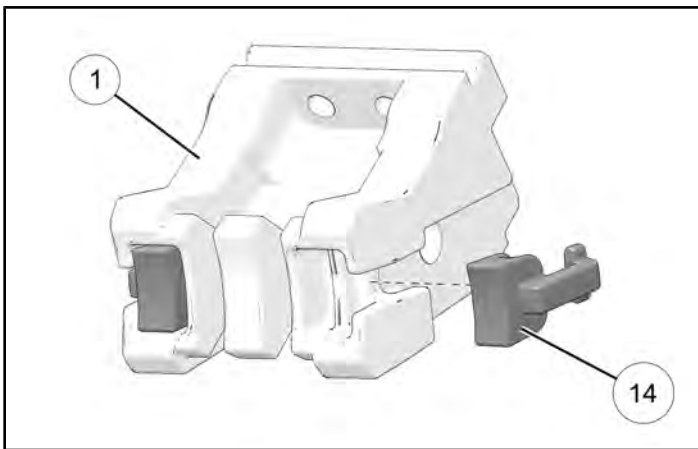
- Put two clamps ③ around rear cross-beam. Loosely install with two fasteners ⑨ and two nuts ②.

**TIP**

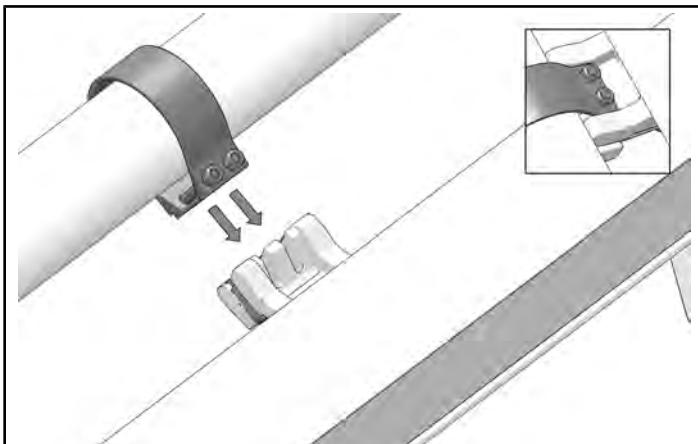
Note orientation of fasteners. Make sure nuts are only threaded onto the very top of the fastener.



- Insert two rubber bumpers ⑬ into mount ①.



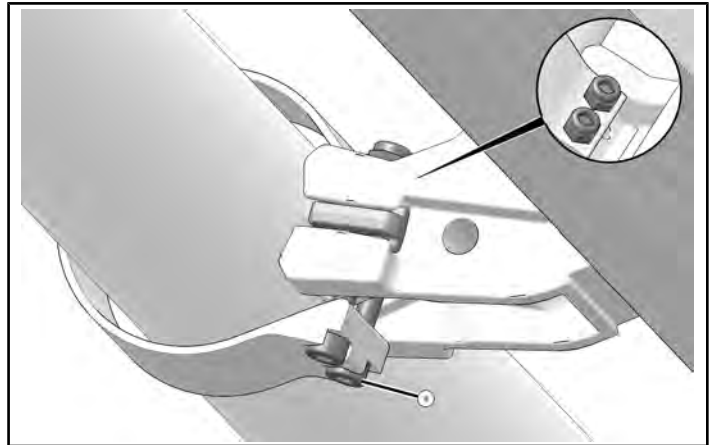
- Align two mounts with clamps and install between clamp ends so that fasteners slide in between mount openings.



- Torque clamp fasteners ⑨ to specification.

**TORQUE**

Clamp Fasteners ⑨:  
**6 in-lbs (1 N·m)**

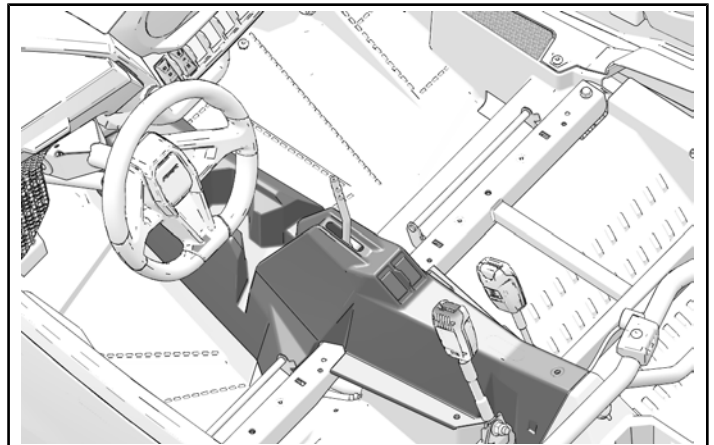


**VEHICLE REASSEMBLY**

**MULTI-PASSENGER VEHICLES**

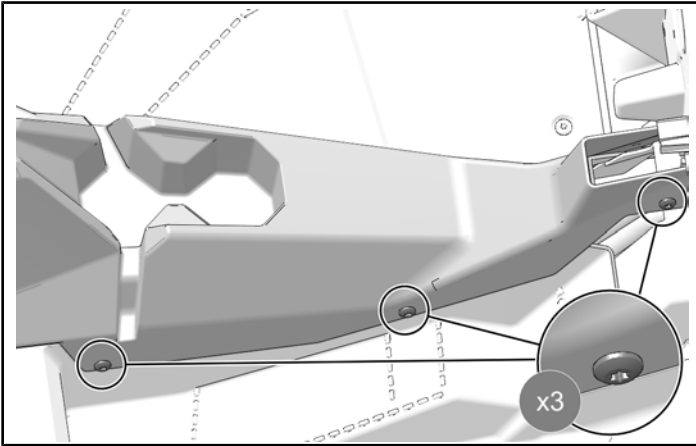
**FRONT CENTER CONSOLE INSTALLATION**

- Put center console into vehicle and over shifter.

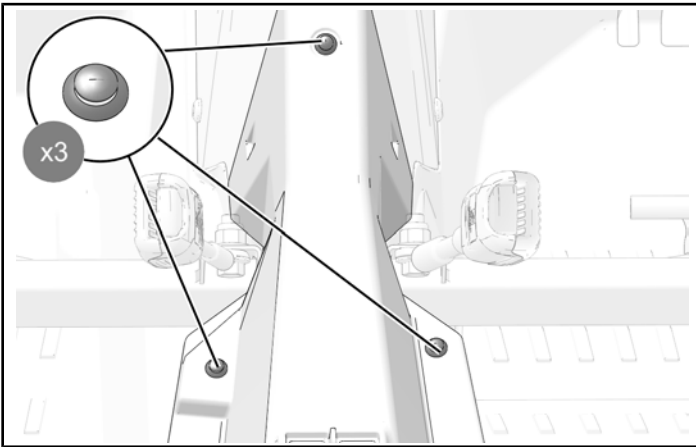


2. Install passenger side of center console with three retained fasteners.

Do not torque fasteners at this time.

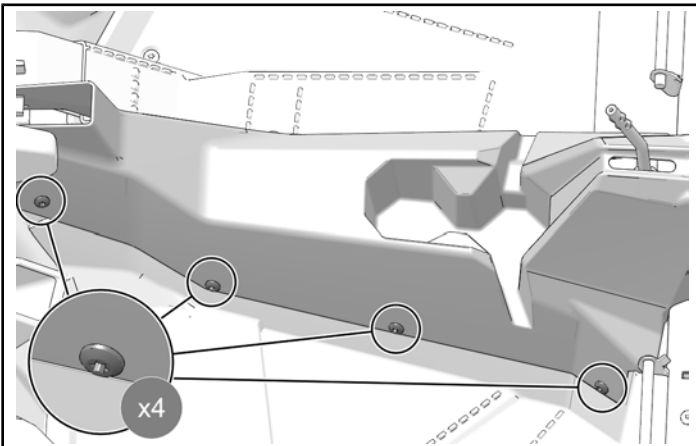


3. Install rear of center console with three retained push-pin rivets.



4. Install passenger side of center console with four retained fasteners.

Do not torque fasteners at this time.

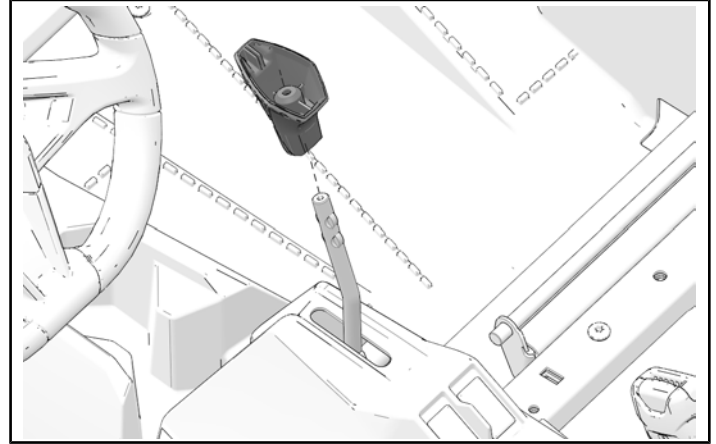


5. Torque all center console fasteners to specification.

#### TORQUE

Center Console Fasteners:  
**88 in-lbs (10 N·m)**

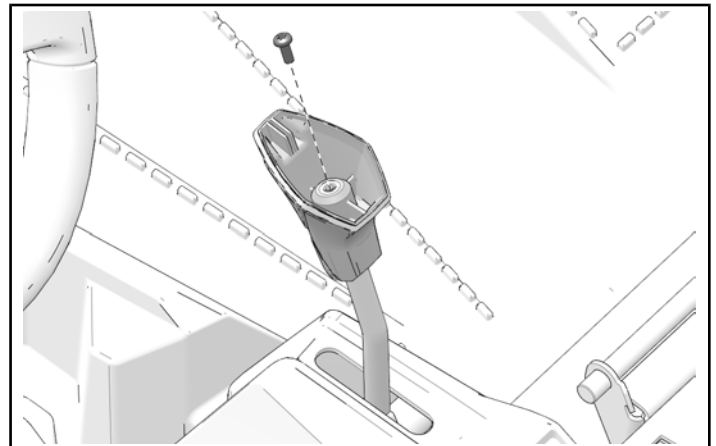
6. Put shifter handle onto shifter post.



7. Install shifter handle with one retained fastener. Torque fastener to specification

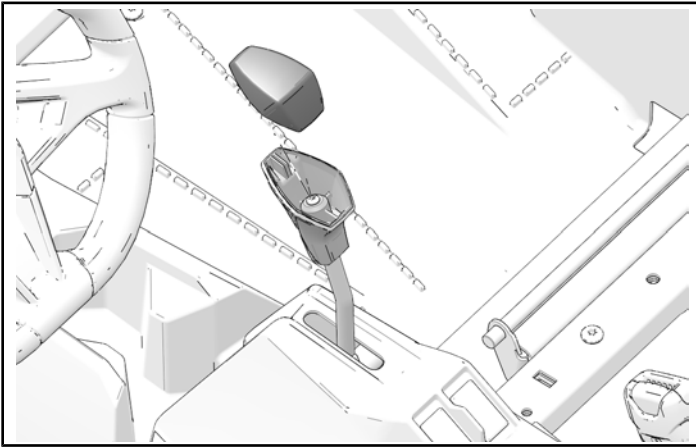
#### TORQUE

Shifter Handle Fastener:  
**35 in-lbs (4 N·m)**





8. Install shifter cover.

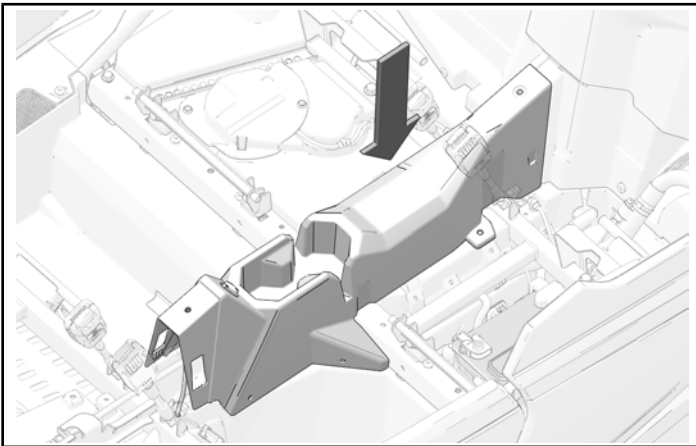


3. Install three push-pin rivets from rear center console.

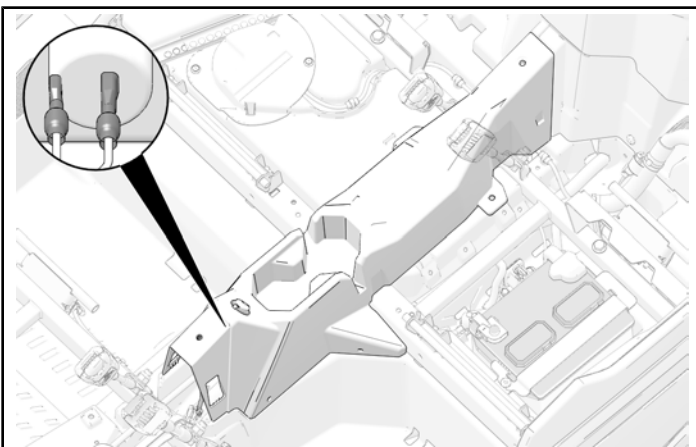


### REAR CENTER CONSOLE INSTALLATION

1. Put rear center console in vehicle.



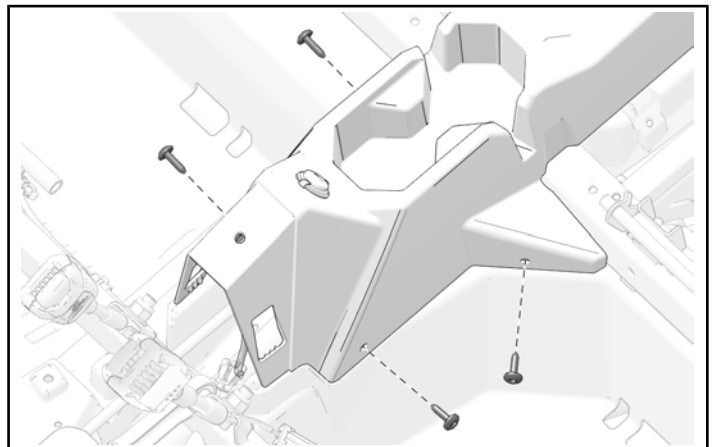
2. Connect 12 V receptacle.



4. Install four fasteners from rear center console.  
Torque fasteners to specification.

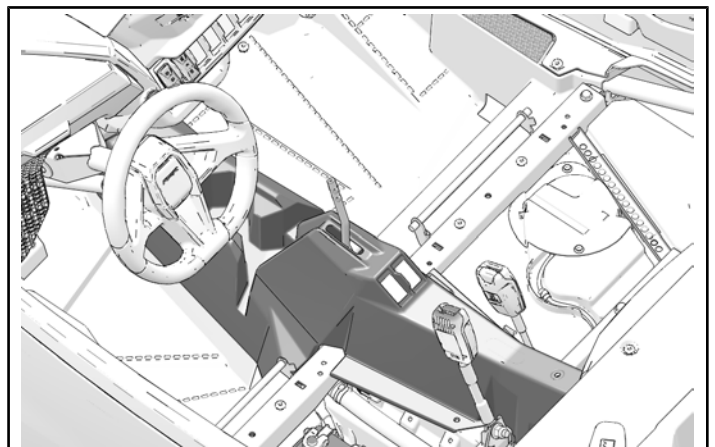
#### **TORQUE**

Rear Center Console Fasteners:  
**88 in-lbs (10 N·m)**



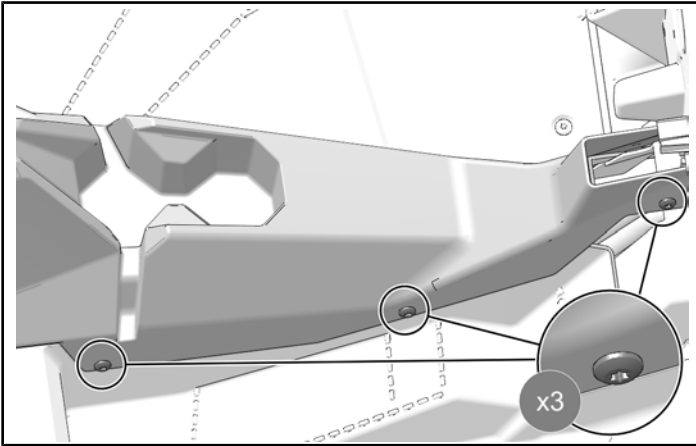
### ***TWO PASSENGER VEHICLES*** CONSOLE CENTER INSTALLATION

1. Put center console into vehicle and over shifter.

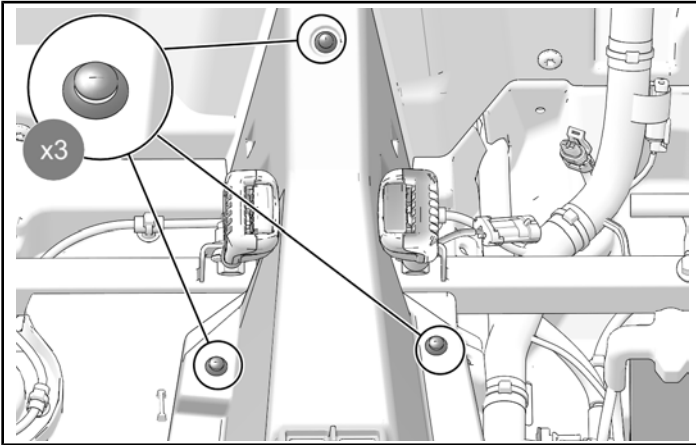


2. Install passenger side of center console with three retained fasteners.

Do not torque fasteners at this time.

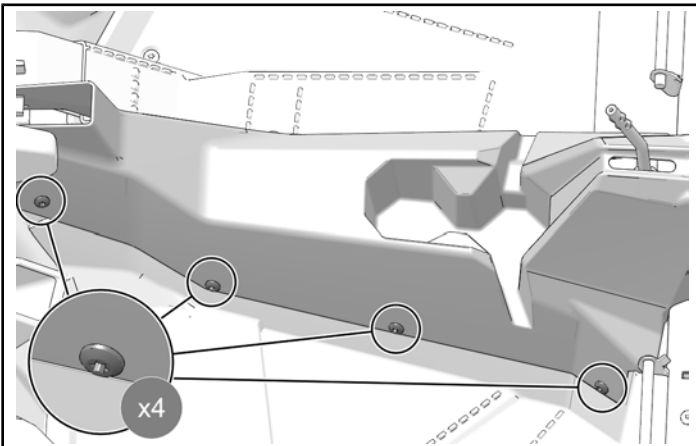


3. Install rear of center console with three retained push-pin rivets.



4. Install passenger side of center console with four retained fasteners.

Do not torque fasteners at this time.

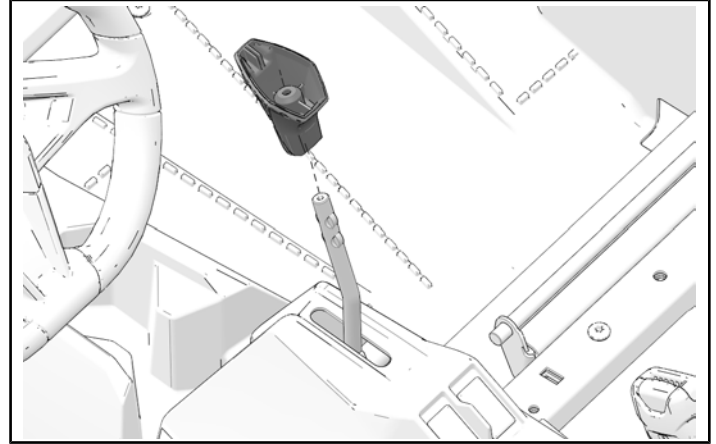


5. Torque all center console fasteners to specification.

### TORQUE

Center Console Fasteners:  
**88 in-lbs (10 N·m)**

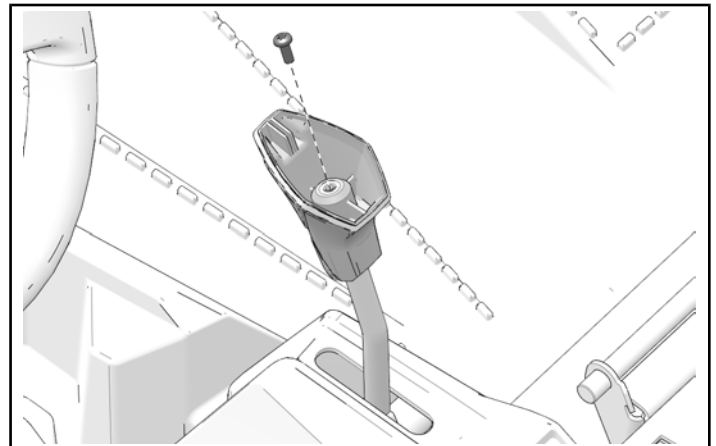
6. Put shifter handle onto shifter post.



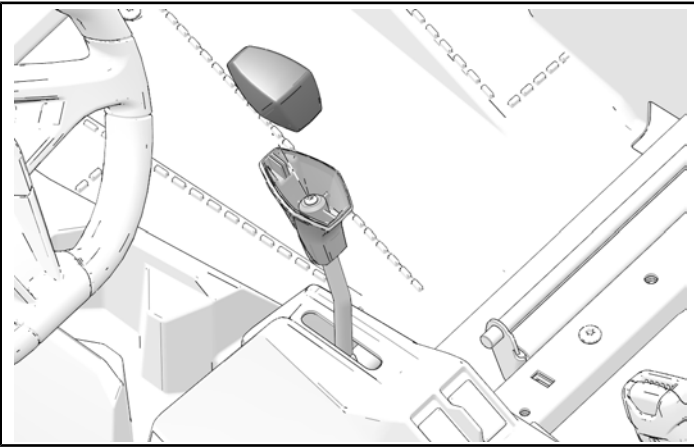
7. Install shifter handle with one retained fastener.  
Torque fastener to specification

### TORQUE

Shifter Handle Fastener:  
**35 in-lbs (4 N·m)**

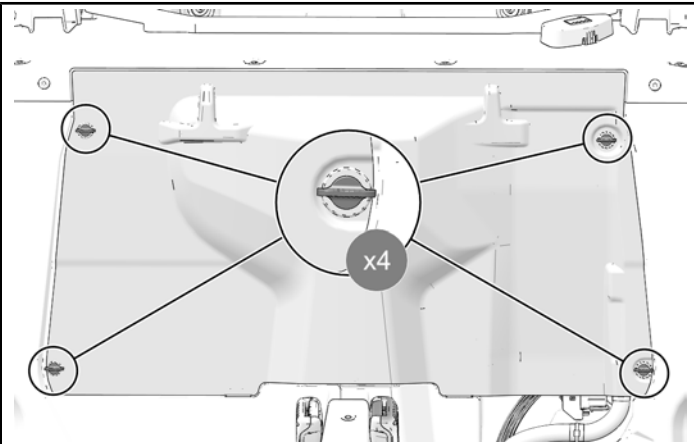


8. Install shifter cover.



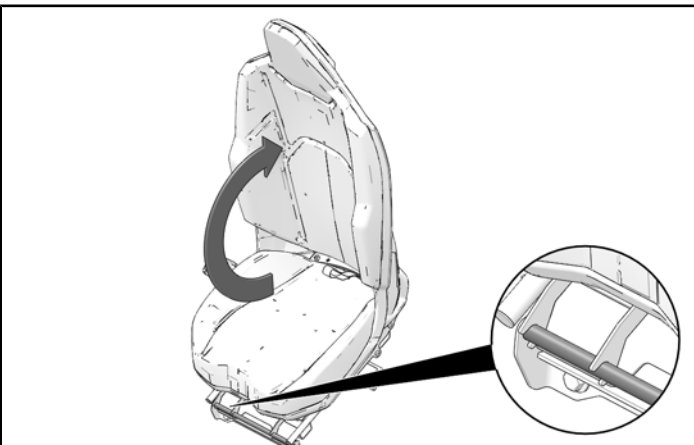
### **ACCESS PANEL INSTALLATION**

1. Put access panel in installed position and turn four 1/4-turn knobs.



### **SEAT INSTALLATION**

1. Put seat in vehicle with front resting on tube, as shown. Push seat back until it engages with rear tube.

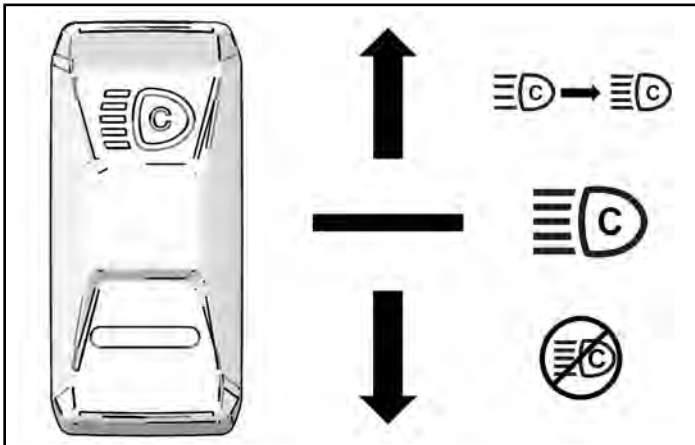


## OPERATION

### BASIC OPERATION

The chase light features eleven different chase light modes to choose from.

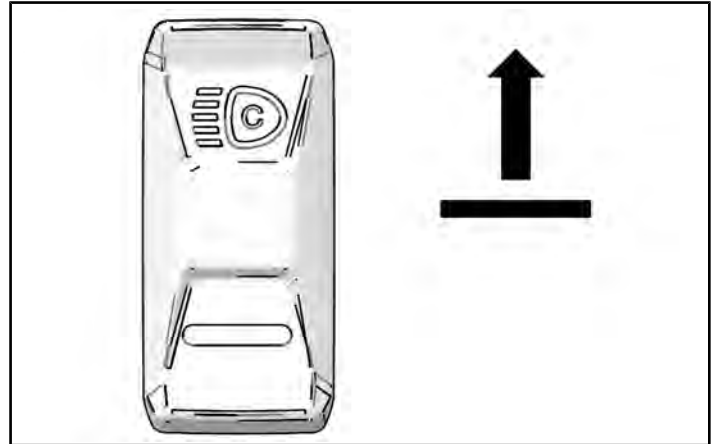
CHASE LIGHT SWITCH POSITIONING	
Up	Mode Select (hold UP momentarily to change mode)
Middle	Power On
Down	Power Off



### BRAKE MODES

The chase light features four different brake light modes to choose from.

1. Turn vehicle on.
2. Press and hold brake pedal while simultaneously pressing switch upwards to cycle through Brake Modes.



### REVERSE MODE

Reverse Mode is only available in white and cannot be changed.

## INSTRUCTION FEEDBACK FORM

A feedback form has been created for the installer to provide any comments, questions or concerns about the installation instructions. The form is viewable on mobile devices by scanning the QR code or by clicking [HERE](#) if viewing on a PC.

