

# STAGE 3 KIT FOR PMX AUDIO



P/N 2889292

## BEFORE YOU BEGIN

Read these instructions and check to be sure all parts and tools are accounted for. Please retain these installation instructions for future reference and parts ordering information.

## APPLICATION

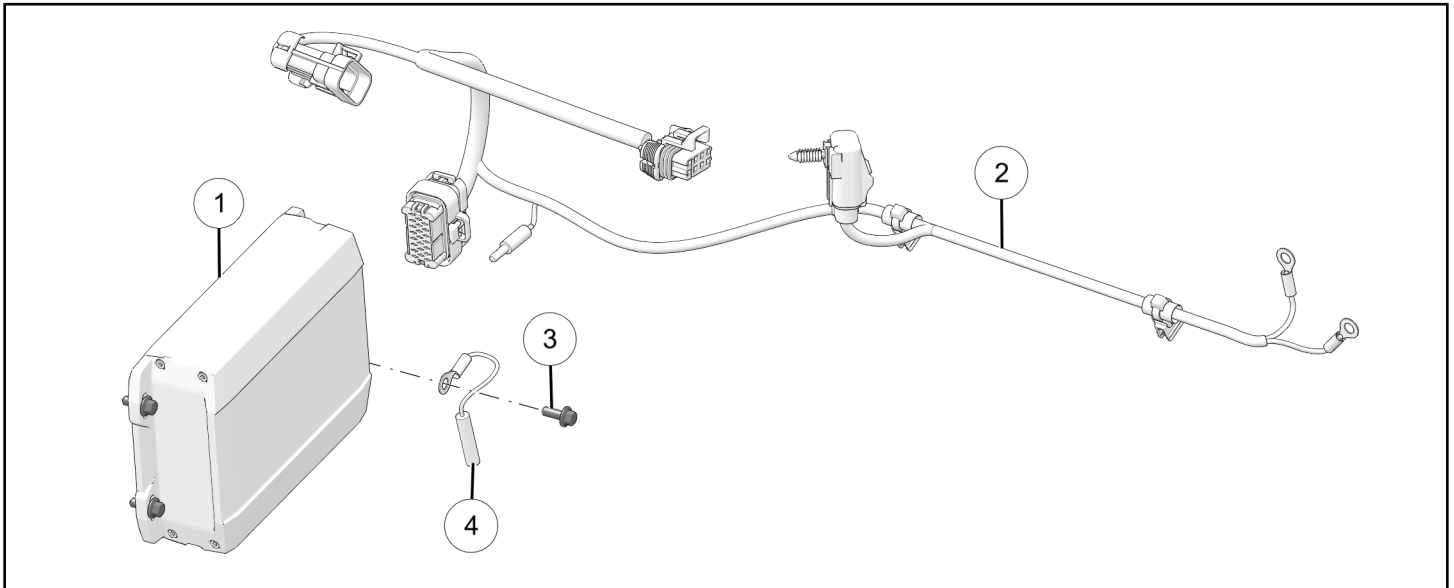
Verify accessory fitment at [www.polaris.com](http://www.polaris.com).

## REQUIRED SOLD SEPARATELY

Only parts for installation of the Stage 3 Kit for PMX Audio are included. Prior installation of the following audio components are also required (sold separately):

- *PMX Audio*
- *Front Speakers*

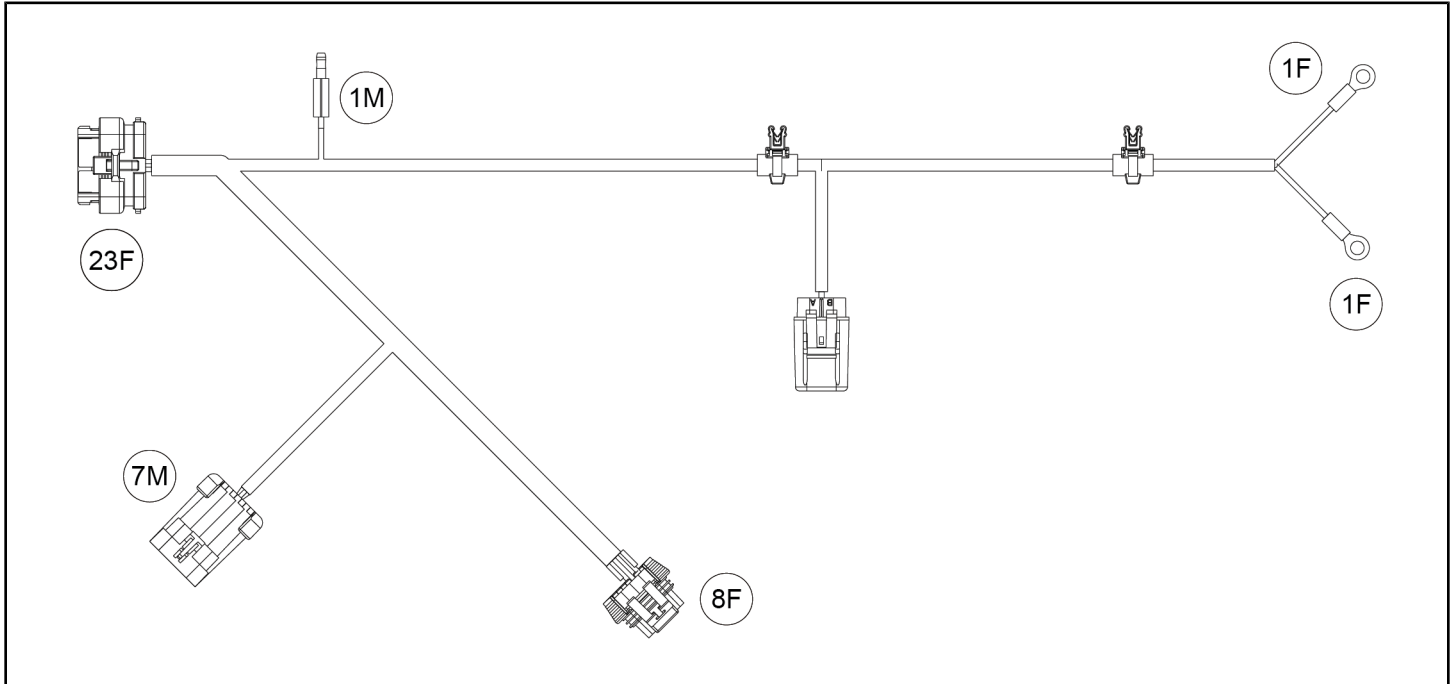
## KIT CONTENTS



REF	QTY	PART DESCRIPTION	P/N AVAILABLE SEPARATELY
1	1	Assembly–Amplifier	2414533
2	1	Harness–Audio, Amplifier	2415742
3	4	Screw–Hex Flange, M5 x 0.8 x 14 mm	7516603
4	1	Harness–Jumper, Amplifier, Ground	4018709

# HARNESS DETAIL

## AMPLIFIER HARNESS ②



REF	PART DESCRIPTION	CONNECTS TO
23F	Connector–Audio, Amplifier	Amplifier Assembly
7M	Connector–Amplifier	PMX Audio Harness
1M	Connector–Bullet, Ground	Jumper Harness
8F	Connector–Amplifier Level	PMX Audio Harness
1F	Terminal–Ring, Power, Red	Polaris Pulse® bar
1F	Terminal–Ring, Ground, Black	Polaris Pulse® bar

Example: 16F = 16 pin, Female / 16M = 16 pin, Male (Male terminal fits inside female terminal)

### TOOLS REQUIRED

- Safety Glasses
- Hex Key Set, Metric
- Pick and Hook Set
- Pliers, Push Pin Rivet
- Screwdriver, Phillips
- Socket Set, Hex Bit, Metric
- Socket Set, Metric
- Socket Set, Torx® Bit
- Torque Wrench
- Wrench, Adjustable, 10 in
- Wrench Set, Metric

### IMPORTANT

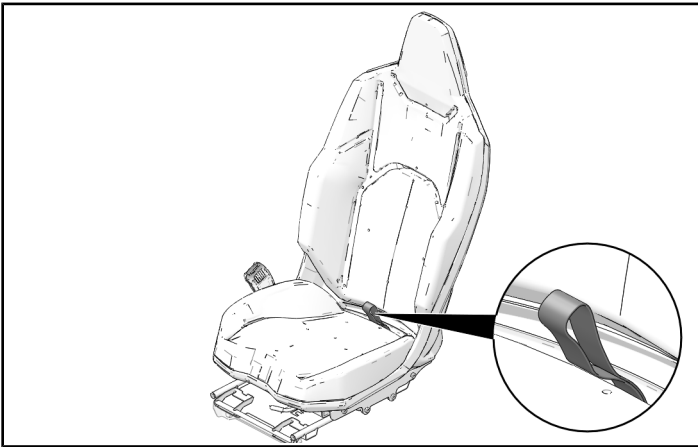
Your Stage 3 Kit for PMX Audio is exclusively designed for your vehicle. Please read the installation instructions thoroughly before beginning. Installation is easier if the vehicle is clean and free of debris. For your safety, and to ensure a satisfactory installation, perform all installation steps correctly in the sequence shown.

# INSTALLATION INSTRUCTIONS

## VEHICLE PREPARATION

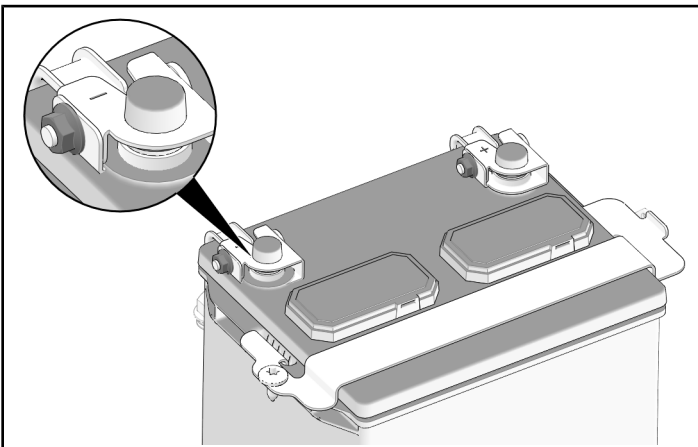
### SEAT REMOVAL

1. Pull strap to disengage seat. Tilt seat forward and remove from vehicle.



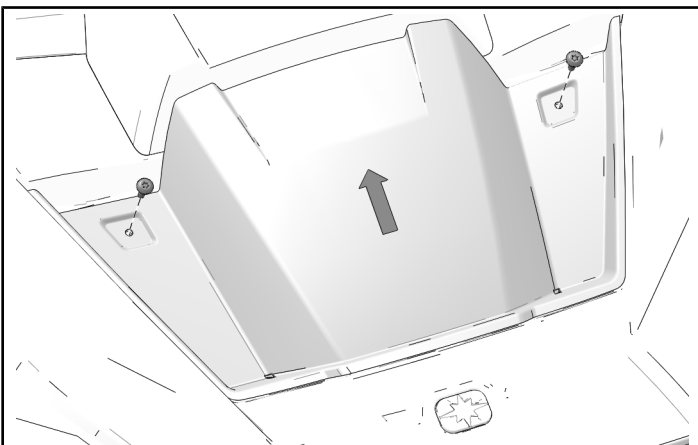
### BATTERY DISCONNECT

1. Loosen nut on negative battery terminal and remove negative battery cable from battery.



### HOOD REMOVAL

1. Remove and keep two hood fasteners. Move hood rearward to remove.

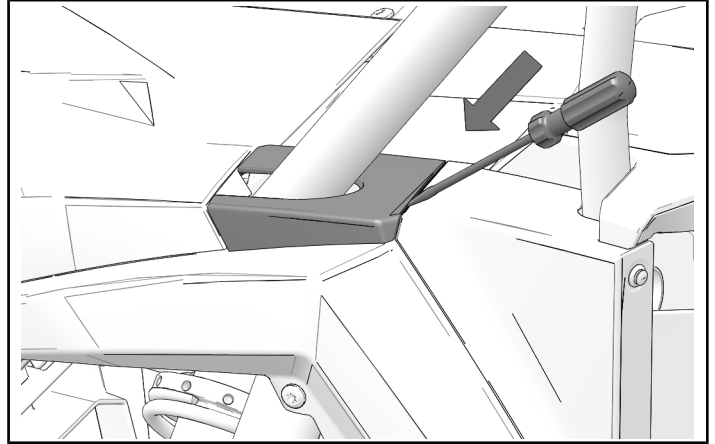


### OUTER HOOD REMOVAL

1. Gently insert flat head screwdriver under rear seam of front pocket fender.

#### NOTICE

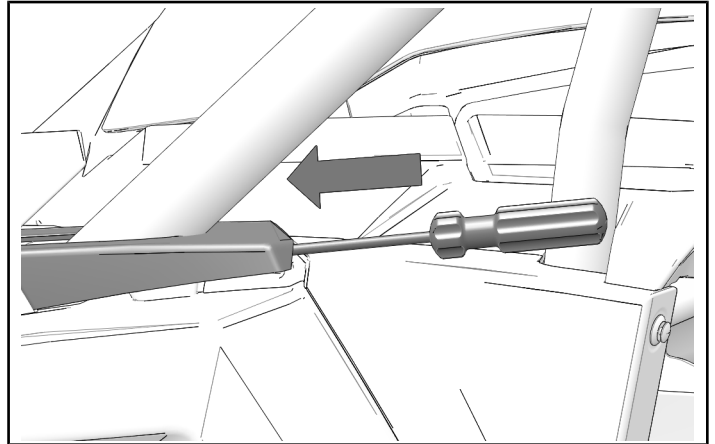
Left side shown, right side similar.



2. Slide flat head screwdriver under front pocket fender.

#### NOTICE

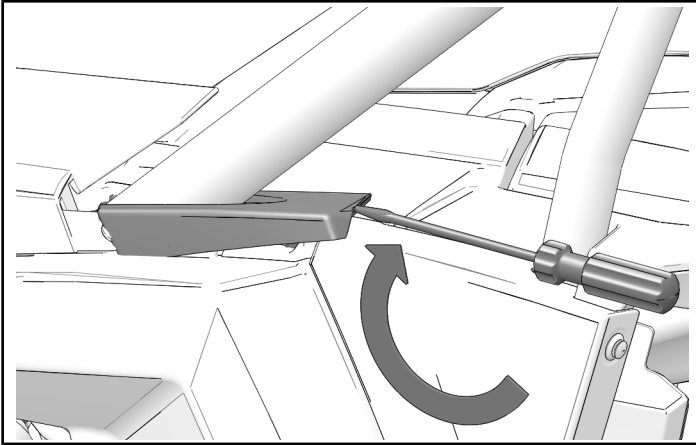
Left side shown, right side similar.



3. Gently lift screwdriver upward to free front pocket fender from clips.

**NOTICE**

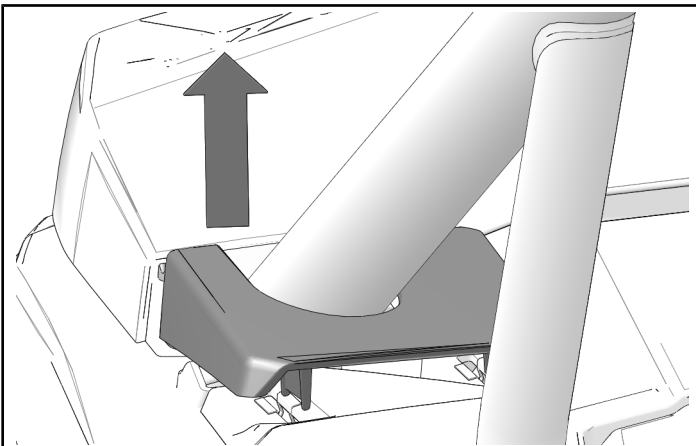
Left side shown, right side similar.



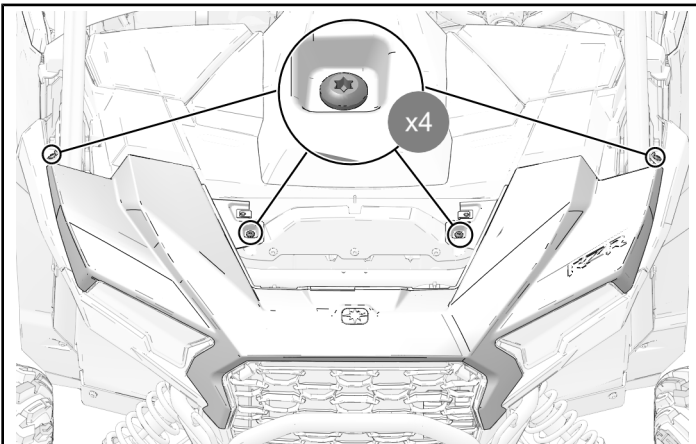
4. Remove and keep front pocket fender.

**NOTICE**

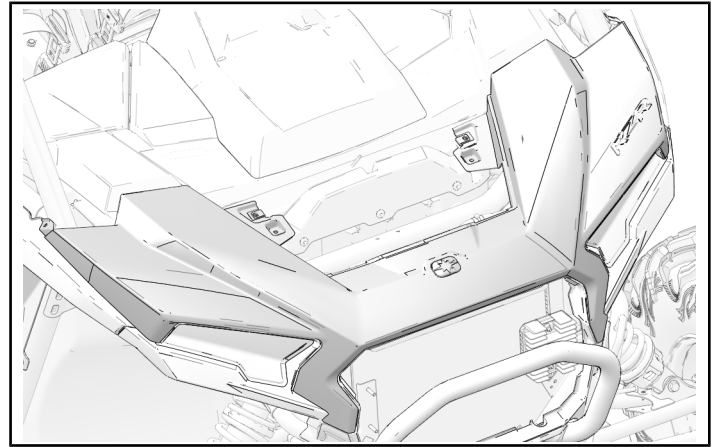
Left side shown, right side similar.



5. Remove and keep four outer hood fasteners.

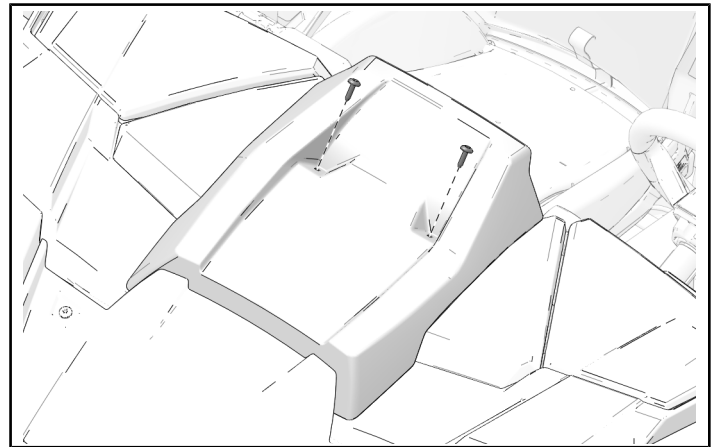


6. Remove outer hood from vehicle.

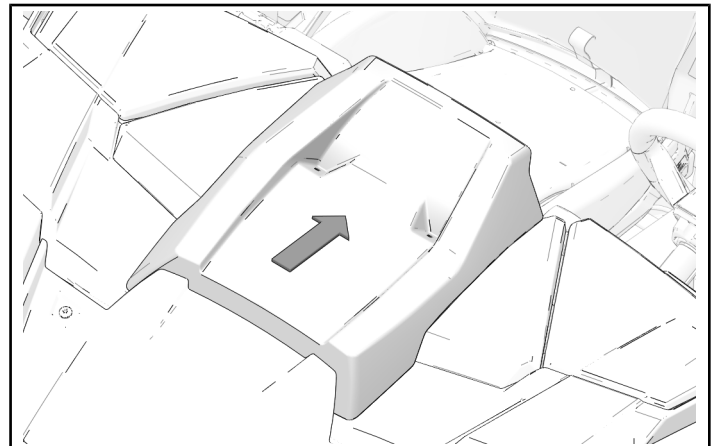


**CENTER DASHBOARD REMOVAL**

1. Remove and keep two dashboard fasteners.



2. Pull panel rearward to remove.



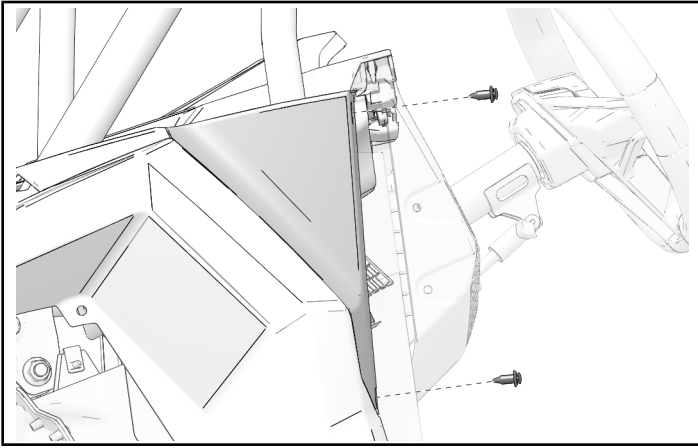
**REAR POCKET FENDER REMOVAL**

**NOTICE**

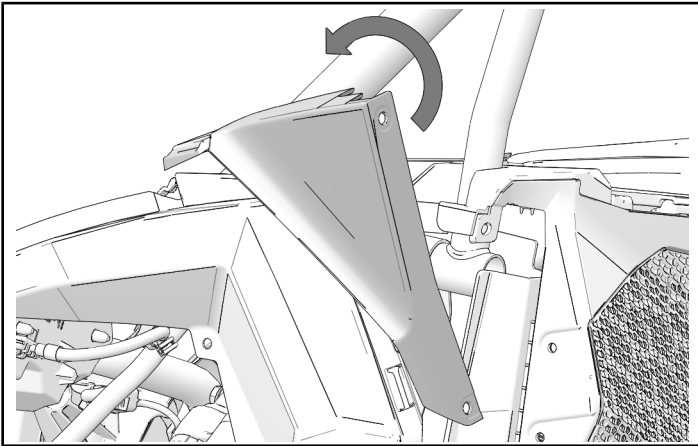
Left fender flare shown; right fender flare similar.



1. Remove two push-pin rivets from rear pocket fender.

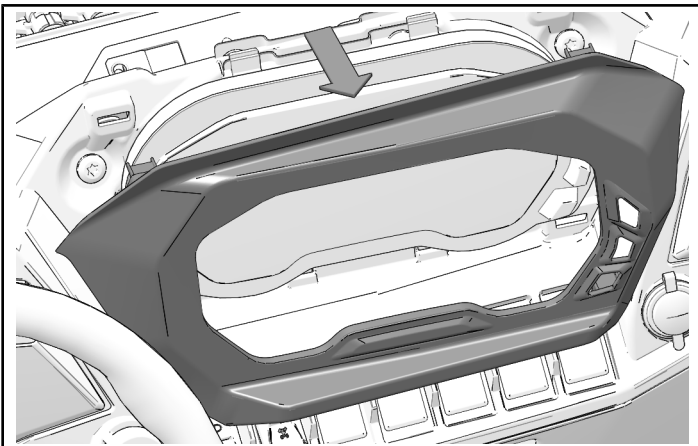


2. Turn rear pocket fender away from vehicle body and remove.



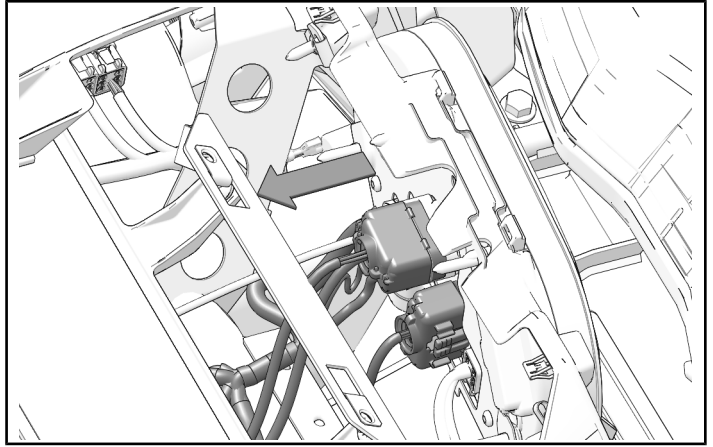
## BEZEL COVER REMOVAL

1. Pull bezel cover outwards at each corner.

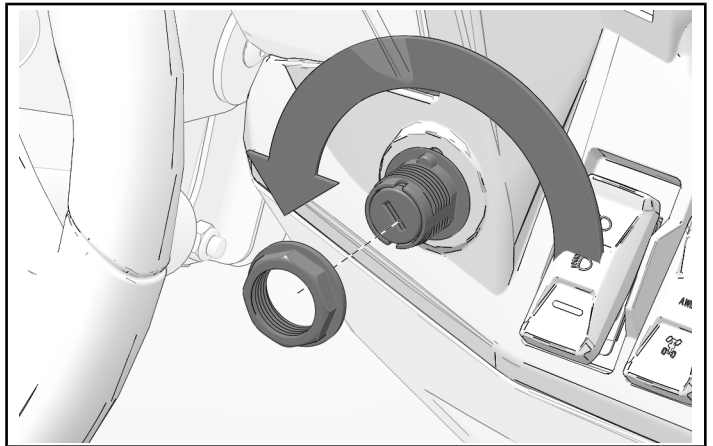


## BEZEL REMOVAL

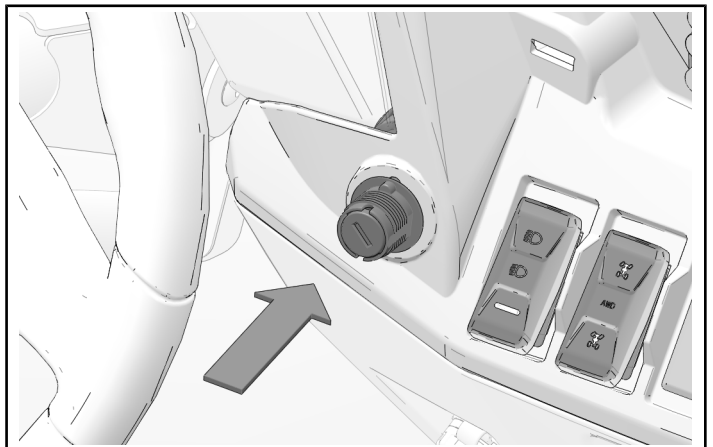
1. Disconnect instrument cluster.



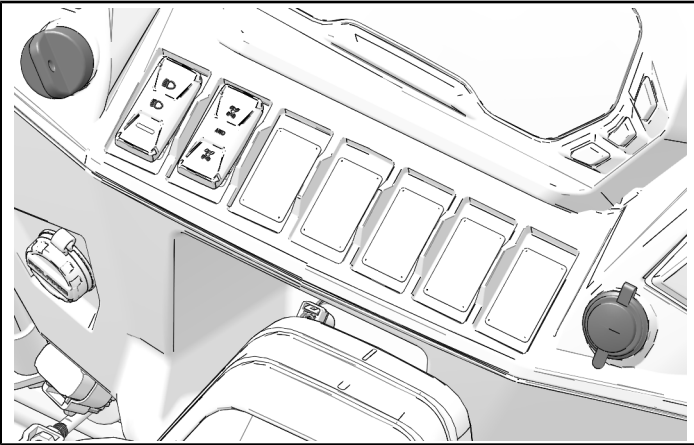
2. Remove and keep ignition switch retaining nut.



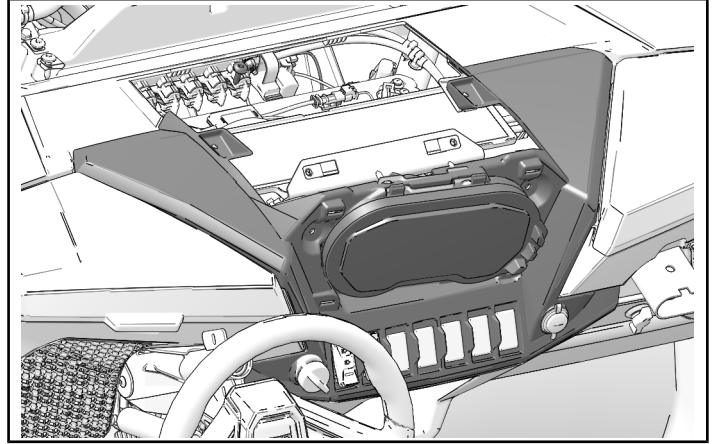
3. Push ignition switch through bezel.



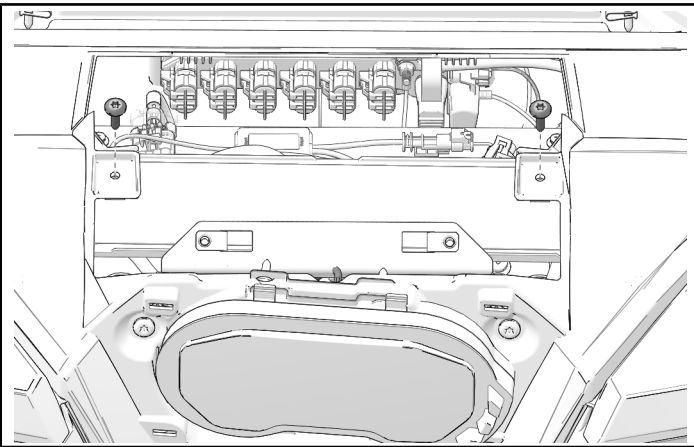
4. Disconnect 12V port on right-hand side, if installed.



7. Carefully pull bezel away from dashboard. Reach behind bezel and disconnect all remaining electrical connections.

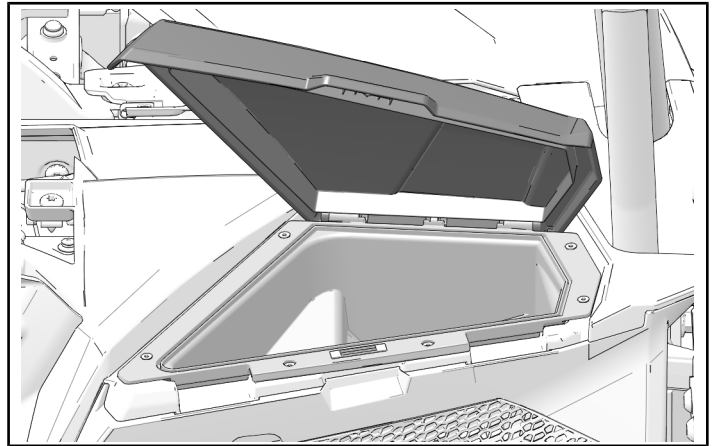


5. Remove and keep two top bezel fasteners.

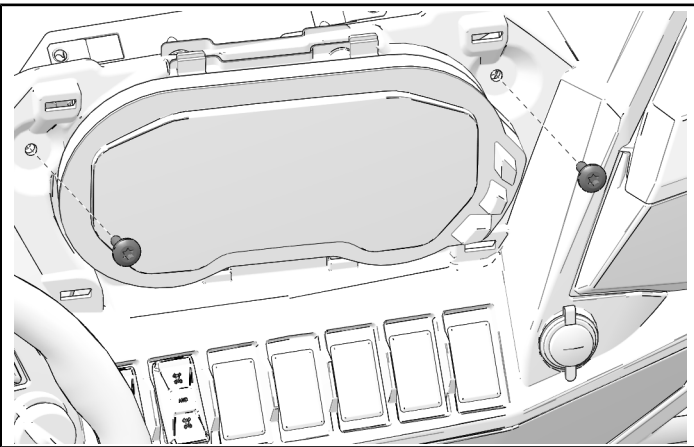


### **UPPER DASHBOARD REMOVAL**

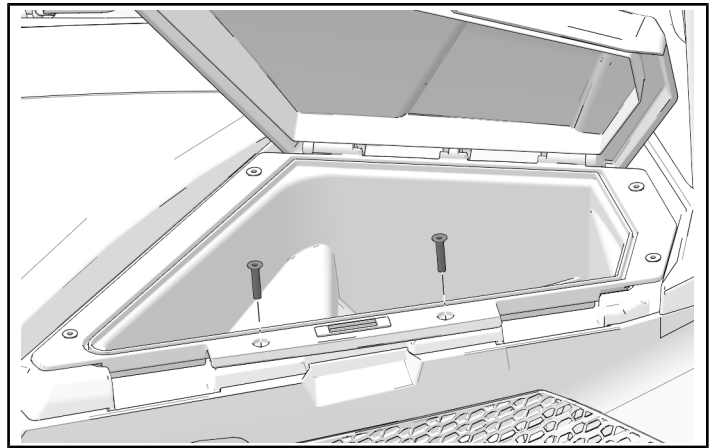
1. Open passenger storage compartment.



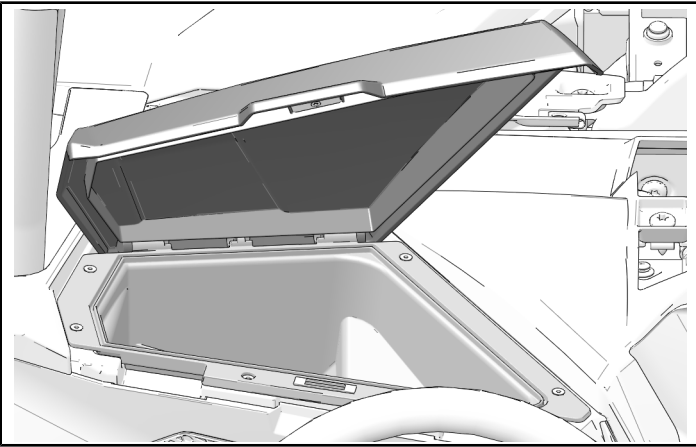
6. Remove and keep two lower bezel fasteners.



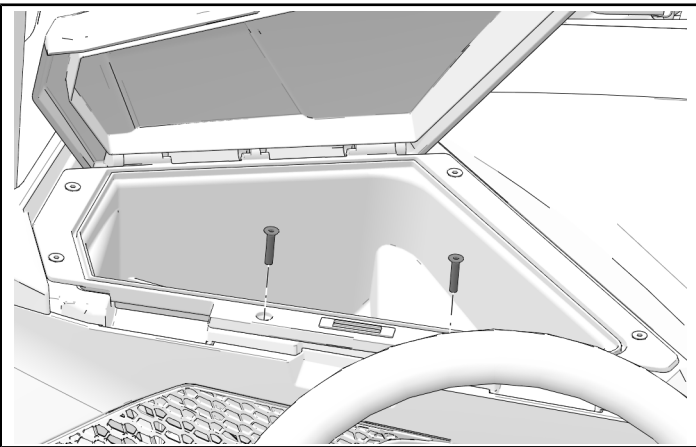
2. Remove and keep two storage compartment fasteners.



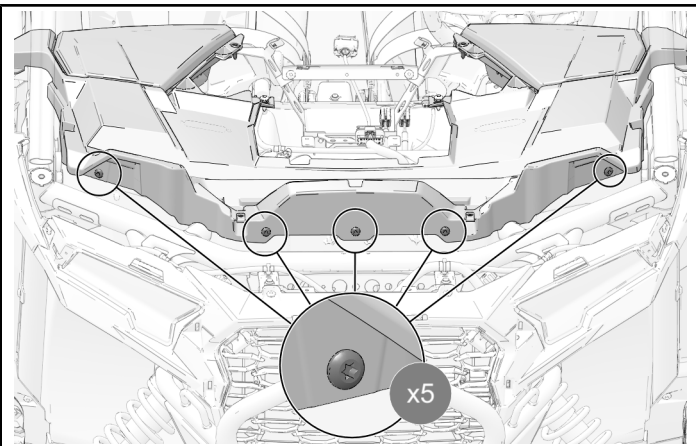
3. Open driver storage compartment.



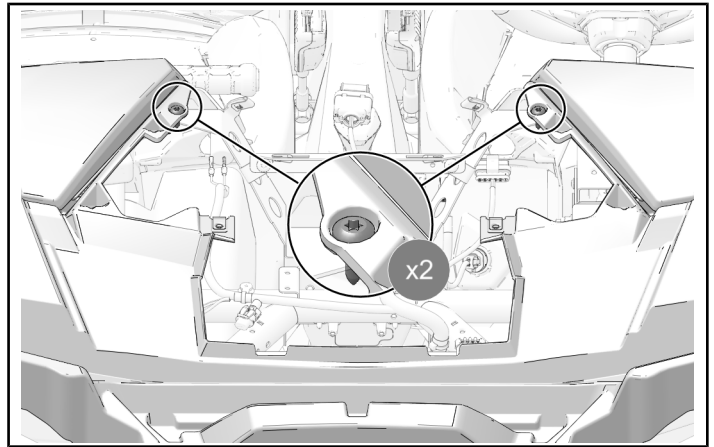
4. Remove and keep two storage compartment fasteners.



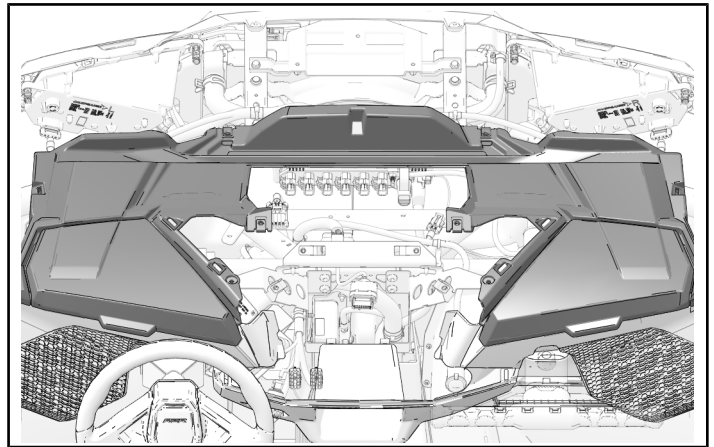
5. Remove and keep five fasteners from front of upper dashboard.



6. Remove and keep two fasteners from top of upper dashboard.



7. Remove upper dashboard panel from vehicle.



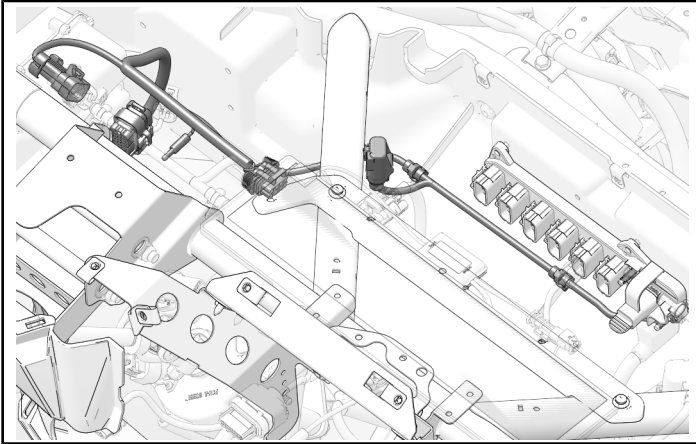
## ACCESSORY INSTALLATION

### NOTICE

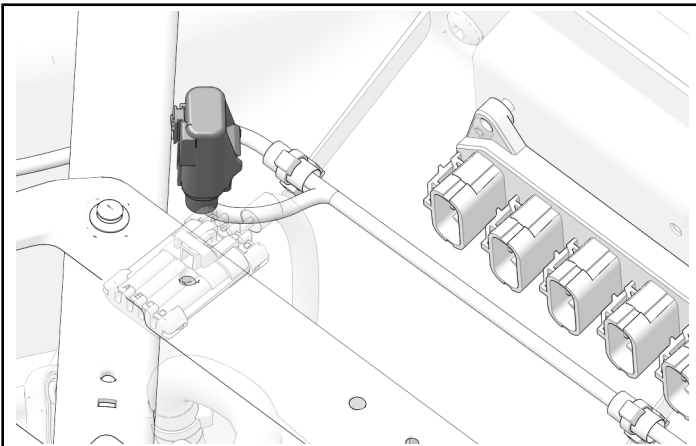
Some audio components hidden for clarity.

## AUDIO HARNESS INSTALLATION

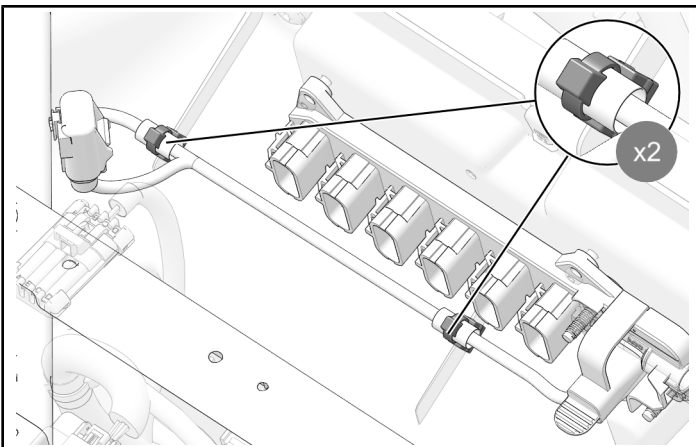
1. Put amplifier audio harness ② in vehicle.



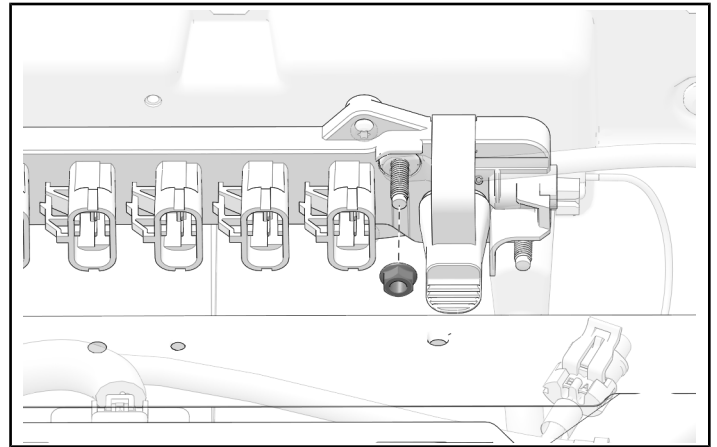
2. Install fuse relay into driver-side diagonal tube.



3. Install harness to ridges on firewall with two edge clips.



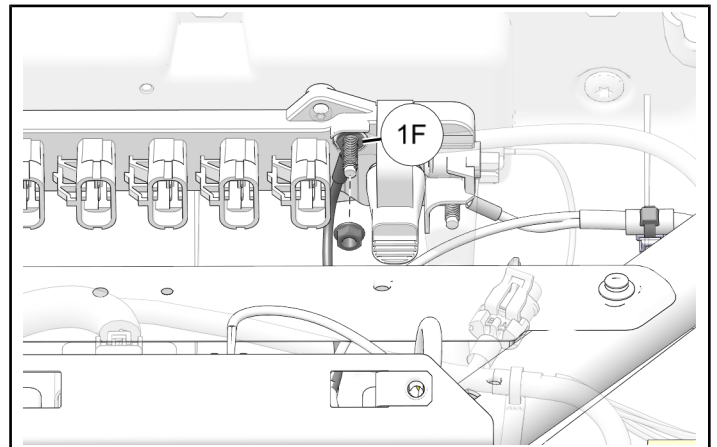
4. Remove and keep one nut from negative terminal on Polaris Pulse® bar.



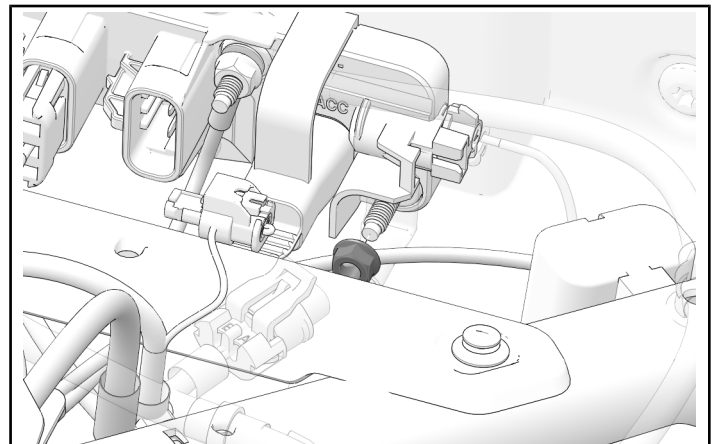
5. Install negative ring terminal 1F (black) to Polaris Pulse® bar with retained nut. Torque nut to specification.

### TORQUE

Polaris Pulse® Bar Nut:  
**44 in-lbs (5 N·m)**



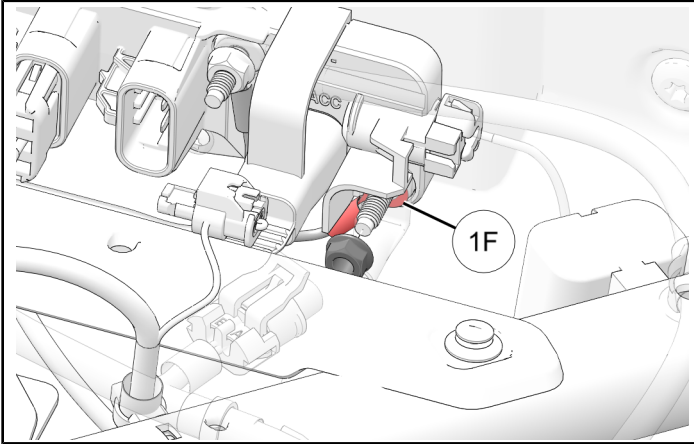
6. Remove and keep one nut from positive terminal on Polaris Pulse® bar.



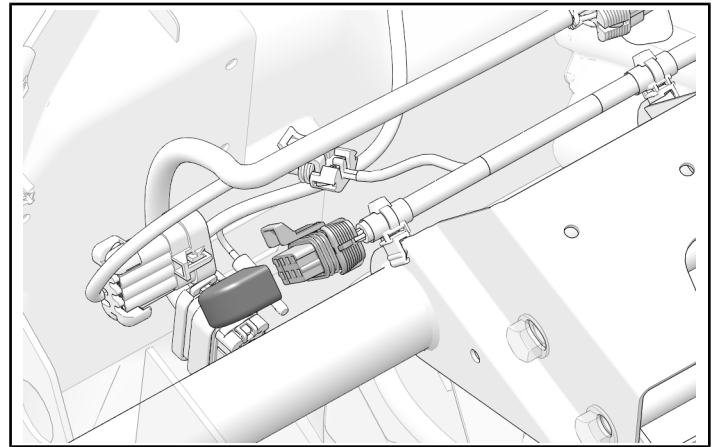
7. Install positive ring terminal **1F** (red) to Polaris Pulse® bar with retained nut. Torque nut to specification.

**TORQUE**

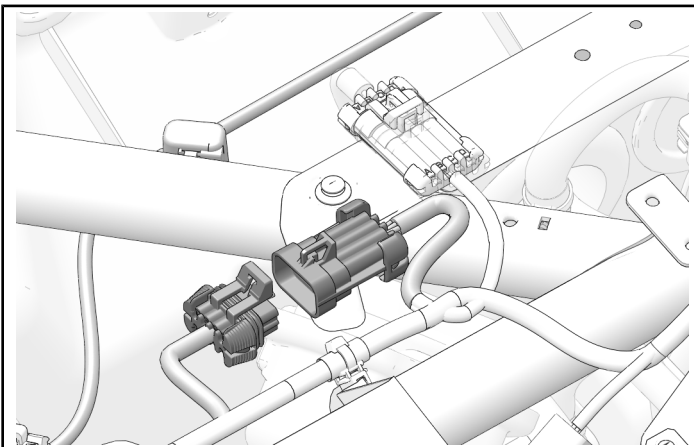
Polaris Pulse® Bar Nut:  
**44 in-lbs (5 N·m)**



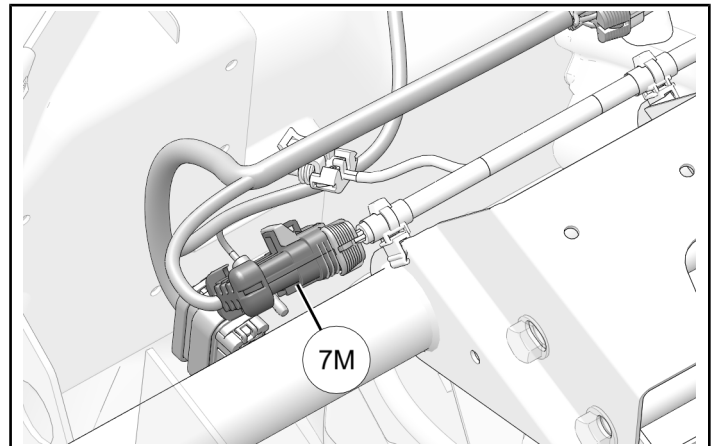
10. Remove and keep cap from amplifier connector on PMX audio harness.



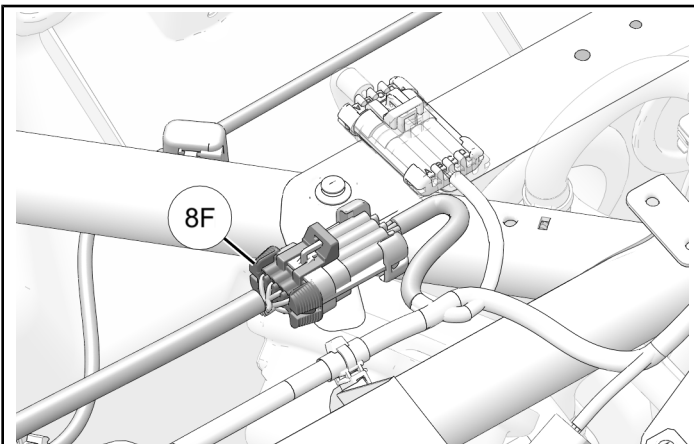
8. Disconnect amplifier level connectors on PMX audio harness.



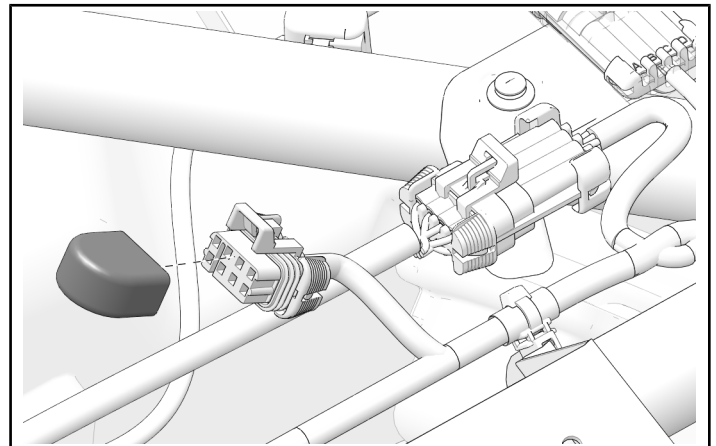
11. Install amplifier connector **7M** to PMX audio harness.



9. Install amplifier level connector **8F** to PMX audio harness.



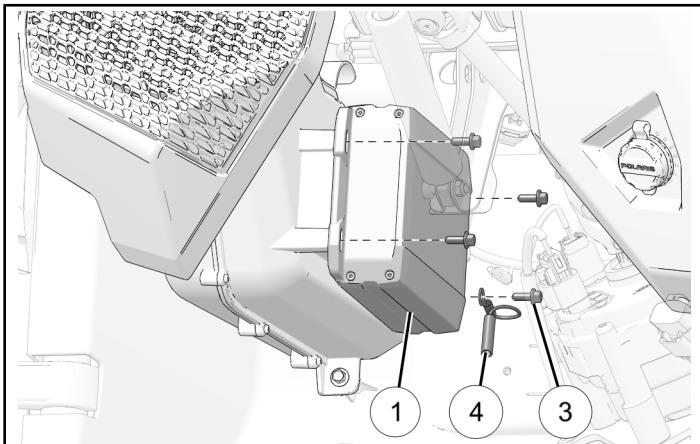
12. Install retained cap on output connector on PMX harness.



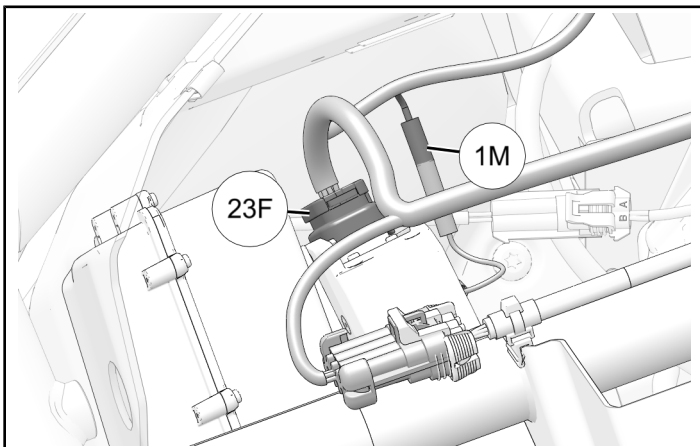


## AMPLIFIER INSTALLATION

1. Install amplifier ① with four fasteners ③. Install jumper harness ④ with bottom-front fastener, as shown.



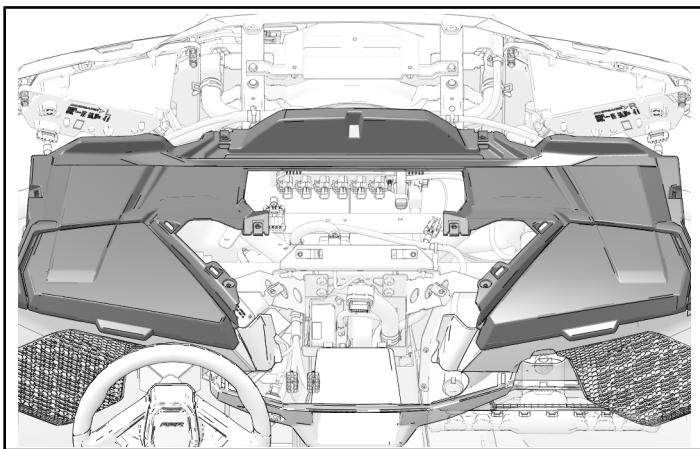
2. Install amp connector 23F and ground connector 1M to amplifier.



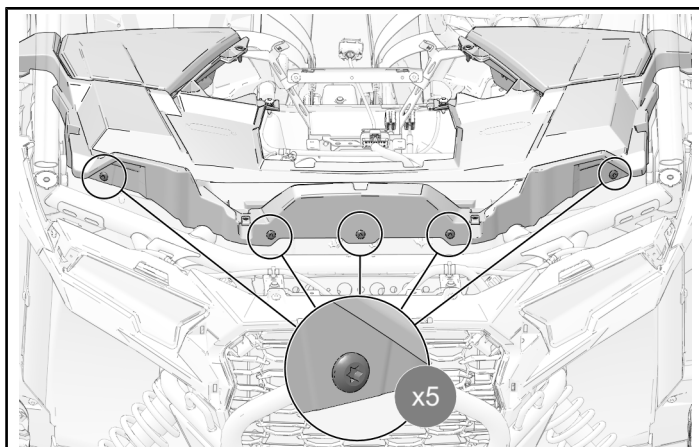
## VEHICLE REASSEMBLY

### UPPER DASHBOARD INSTALLATION

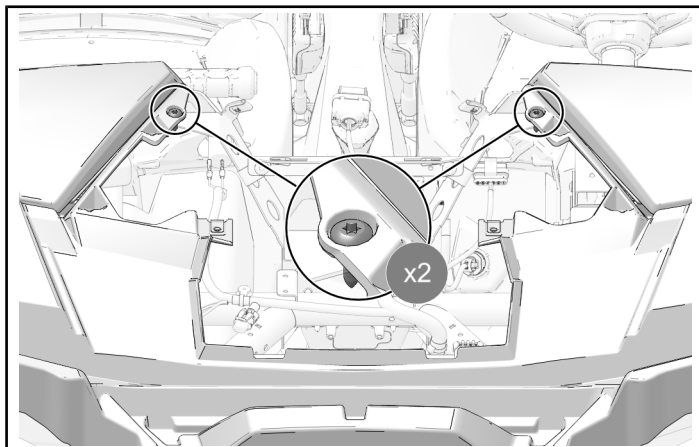
1. Put the upper dashboard panel into the vehicle.



2. Install upper dashboard with five fasteners.



3. Install upper dashboard with two fasteners.

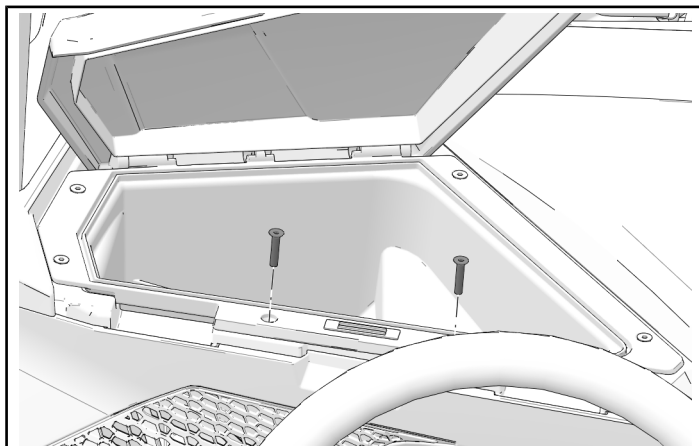


4. Torque the seven dashboard fasteners to specification.

#### TORQUE

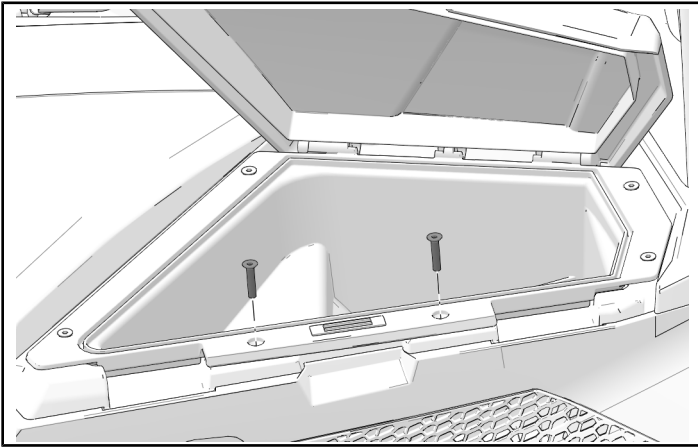
Upper Dashboard Fasteners:  
88 in-lbs (10 N·m)

5. Install two storage compartment fasteners. Torque fasteners until fully seated.





6. Install two storage compartment fasteners. Torque fasteners until fully seated.

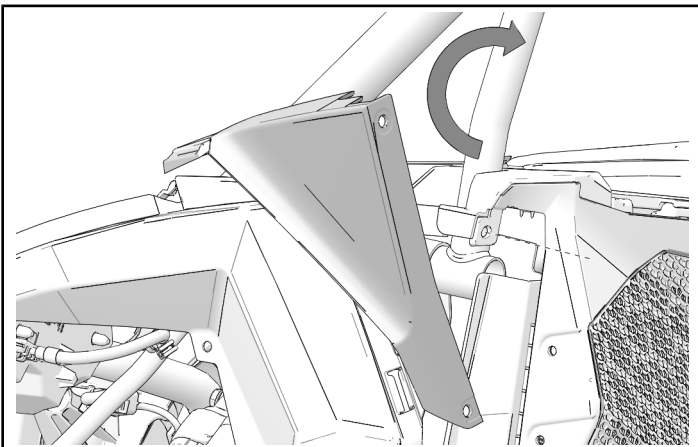


### REAR POCKET FENDER INSTALLATION

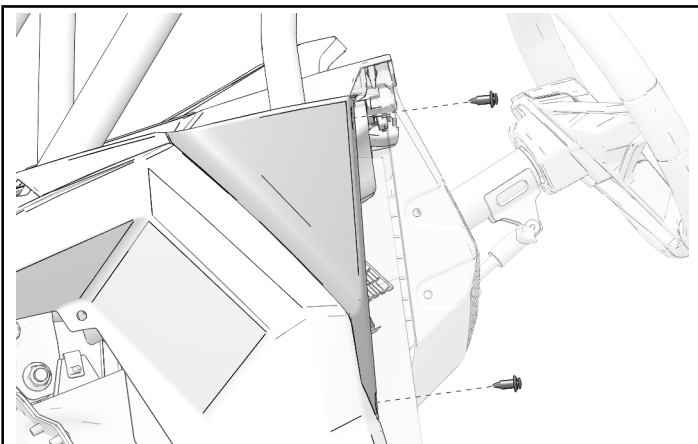
#### NOTICE

Left fender flare shown; right fender flare similar.

1. Turn rear pocket fender towards vehicle body and slide into place.

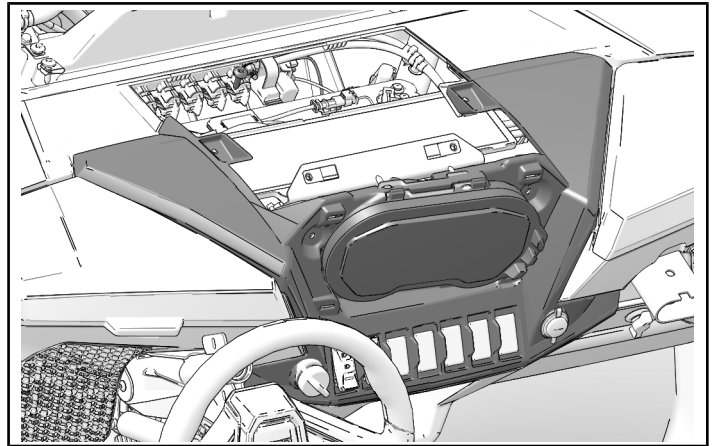


2. Attach rear pocket fender to vehicle using two push-pin rivets.

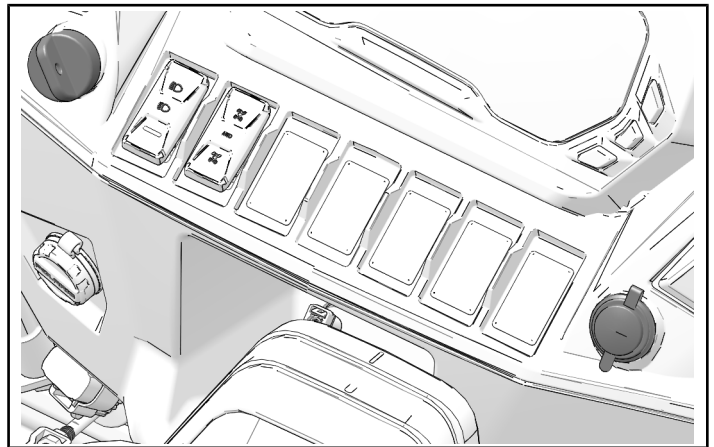


### BEZEL INSTALLATION

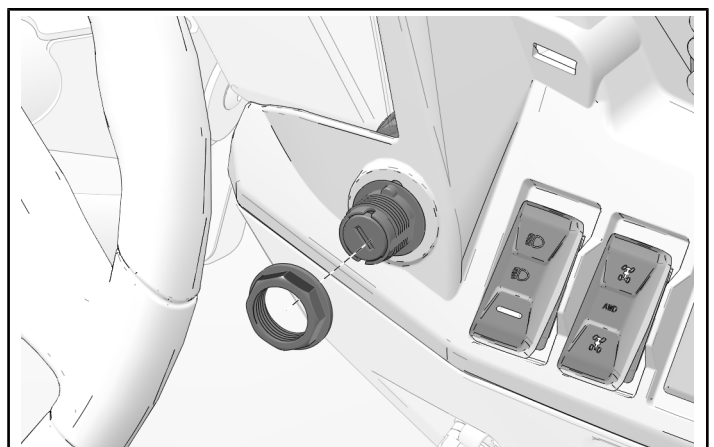
1. Put bezel near dashboard. Reach behind bezel and connect all electrical connections.



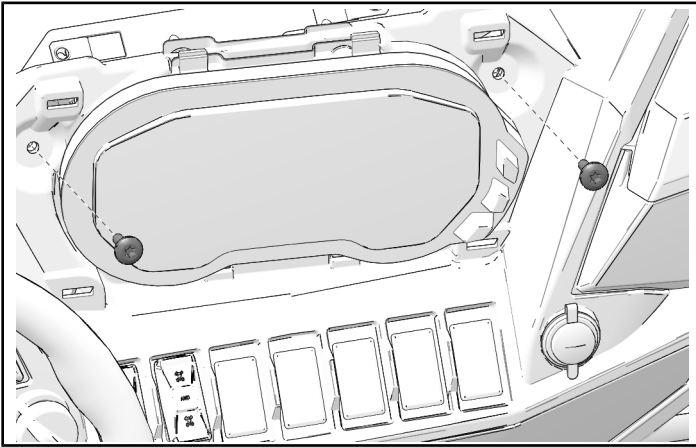
2. Install 12 V port on right-hand side.



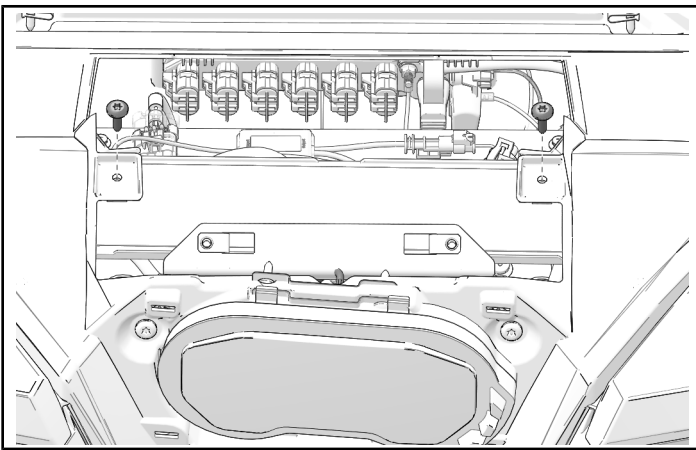
3. Push bezel into dashboard so that clips engage with dashboard.
4. Install ignition switch retaining nut. Torque nut until fully seated.



5. Install bezel with two lower bezel fasteners.



6. Install bezel with two upper fasteners.



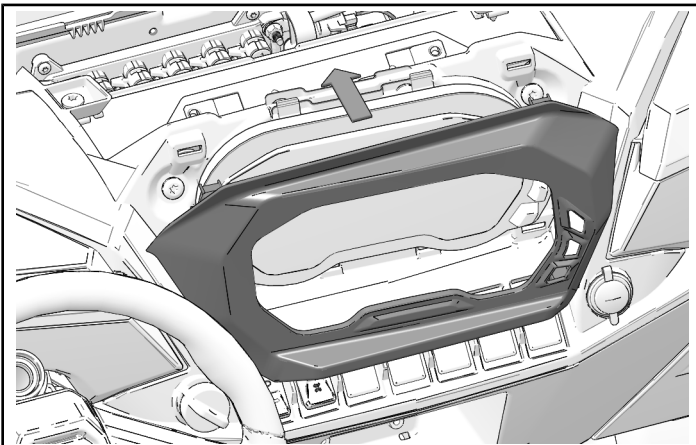
7. Torque four bezel fasteners to specification.

#### TORQUE

Bezel Fasteners:  
**88 in-lbs (10 N·m)**

### BEZEL COVER INSTALLATION

1. Push bezel cover into dashboard panel at each corner, making sure each clip engages with dashboard.

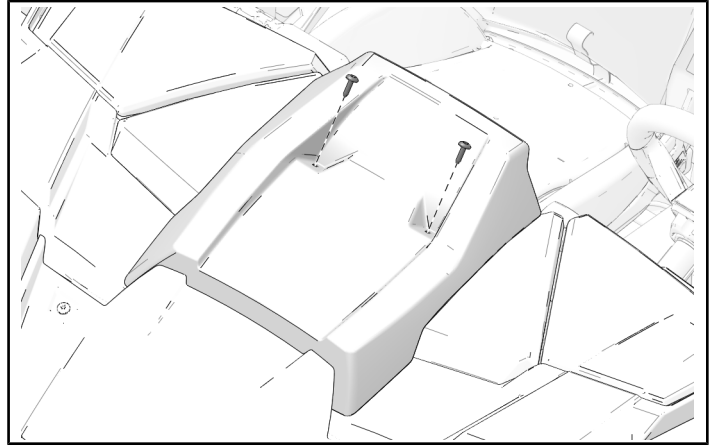


### DASHBOARD CENTER INSTALLATION

1. Install center dashboard panel with two retained fasteners. Torque fasteners to specification.

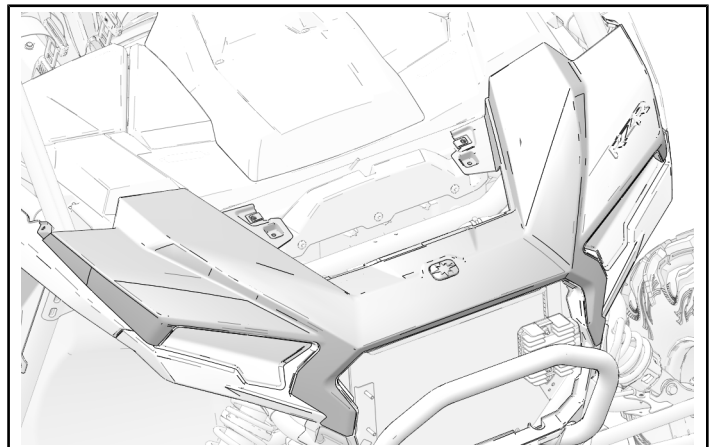
#### TORQUE

Dashboard Fasteners:  
**88 in-lbs (10 N·m)**



### OUTER HOOD INSTALLATION

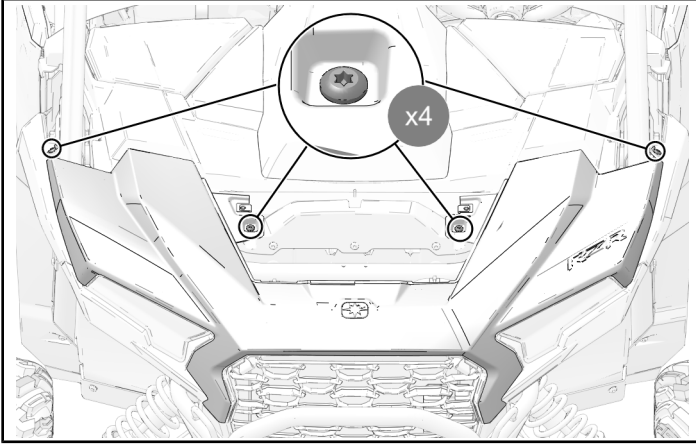
1. Put outer hood on vehicle in installed position.



2. Install outer hood fasteners with four retained fasteners. Torque the four fasteners to specification.

**TORQUE**

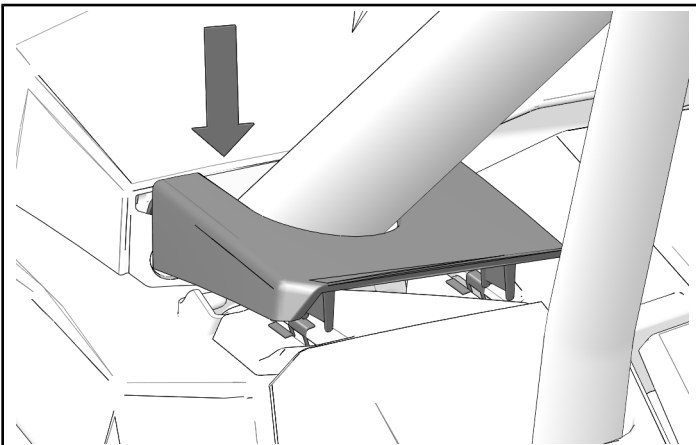
Outer Hood Fasteners  
**88 in-lbs (10 N·m)**



3. Place front pocket fender around ROPS bar and into outer hood slots.

**NOTICE**

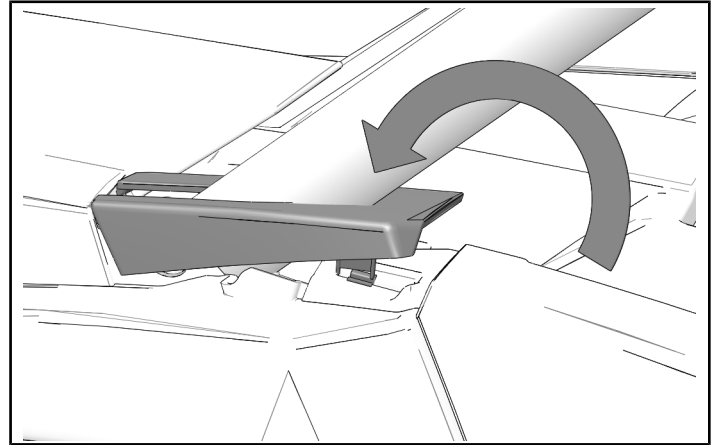
Left side shown, right side similar.



4. Gently push tab into clips until front pocket fender is secure.

**NOTICE**

Left side shown, right side similar.

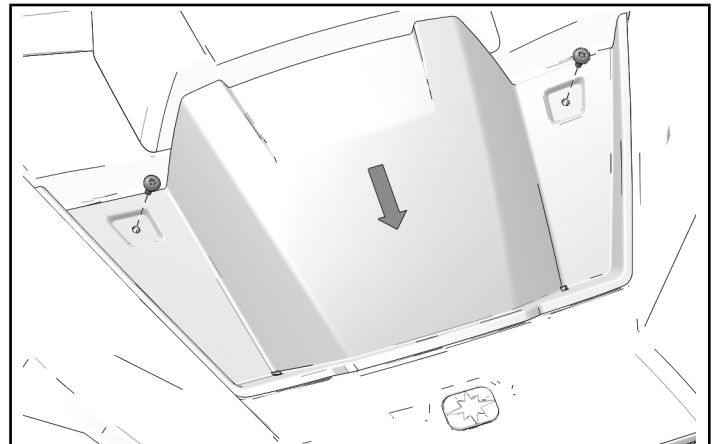


**HOOD INSTALLATION**

1. Move hood forward, into outer hood panel, and install with two retained fasteners. Torque fasteners to specification.

**TORQUE**

Hood Fasteners:  
**88 in-lbs (10 N·m)**

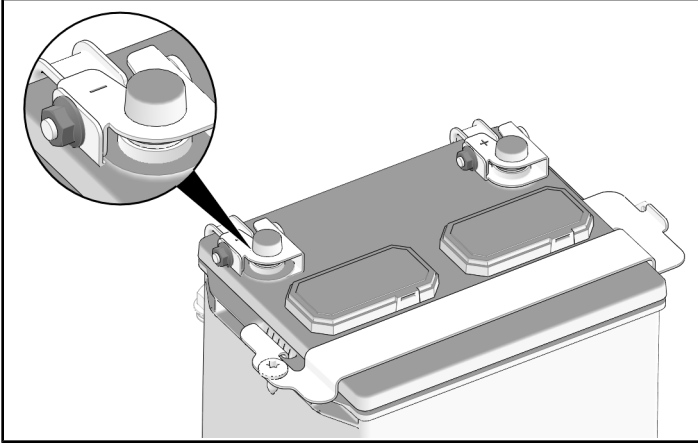


## **BATTERY CONNECT**

1. Put negative battery cable on battery and torque nut to specification.

### **TORQUE**

Battery Nut:  
**26 ft-lbs (35 N·m)**



## **SEAT INSTALLATION**

1. Put seat in vehicle with front resting on tube, as shown. Push seat back until it engages with rear tube.

