

FRONT FLOOR MAT KIT



P/N 2889186

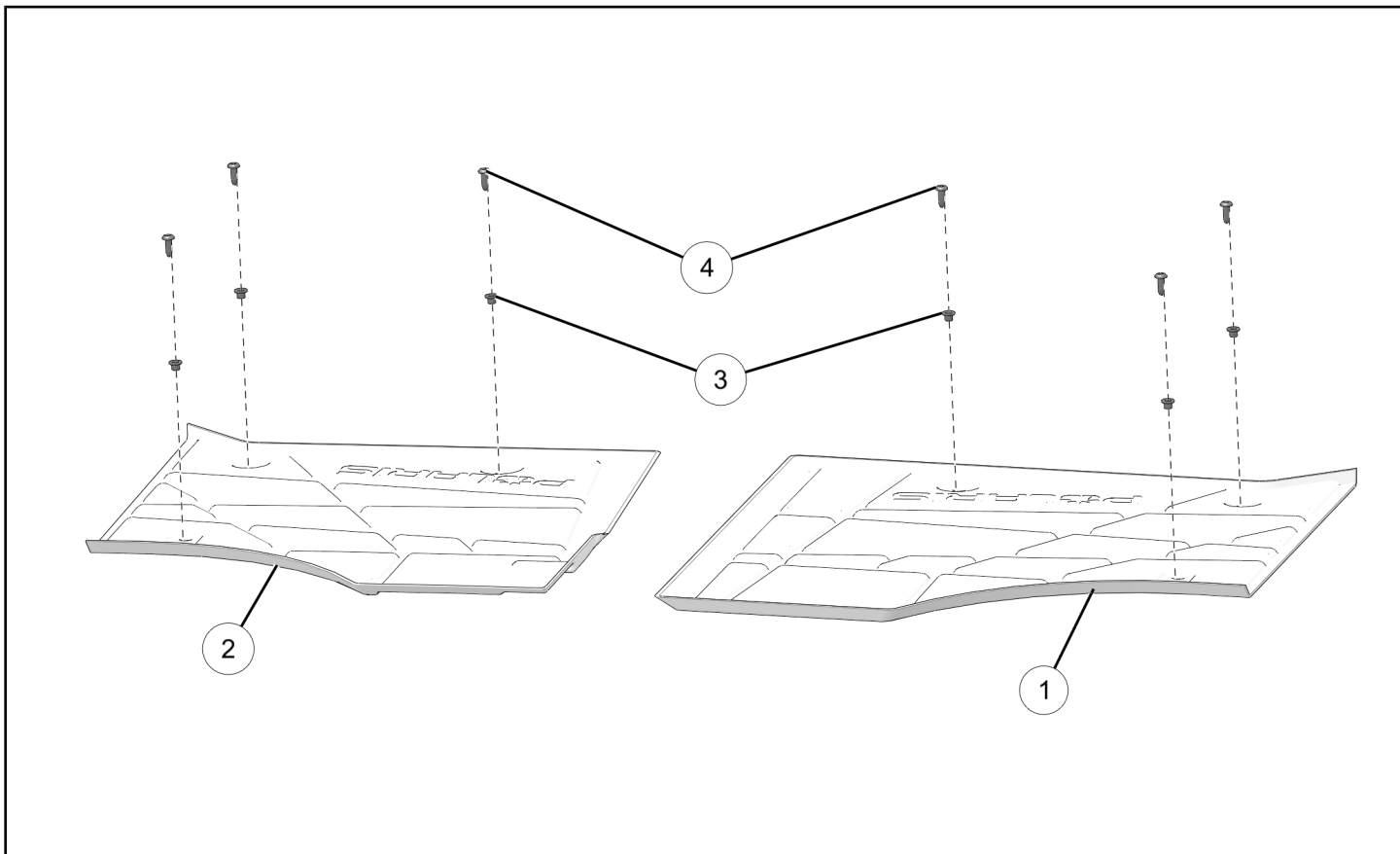
BEFORE YOU BEGIN

Read these instructions and check to be sure all parts and tools are accounted for. Please retain these installation instructions for future reference and parts ordering information.

APPLICATION

Verify accessory fitment at www.polaris.com.

KIT CONTENTS



REF	QTY	PART DESCRIPTION	P/N AVAILABLE SEPARATELY
1	1	Floor Mat, Left	5417754
2	1	Floor Mat, Right	5417755
3	6	Spacer	5144975
4	6	Screw-Torx®, #14 x 3/4 in	n/a

TOOLS REQUIRED

- Safety Glasses
- Screwdriver Set, Torx®

IMPORTANT

Your Front Floor Mat Kit is exclusively designed for your vehicle. Please read the installation instructions thoroughly before beginning. Installation is easier if the vehicle is clean and free of debris. For your safety, and to ensure a satisfactory installation, perform all installation steps correctly in the sequence shown.

INSTALLATION INSTRUCTIONS

VEHICLE PREPARATION

GENERAL

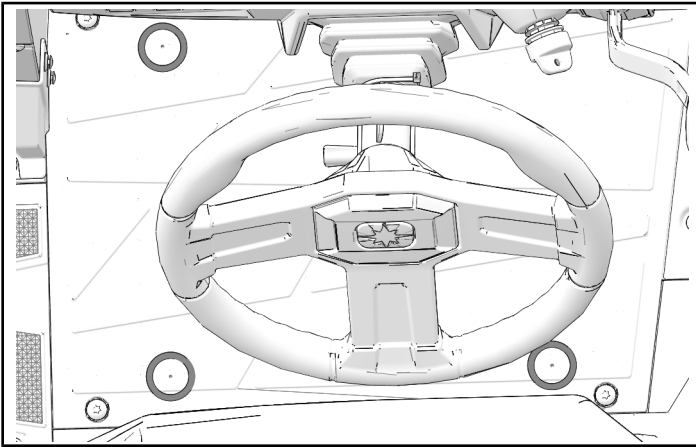
1. Park vehicle on a flat surface.
2. Shift vehicle into PARK.
3. Turn key to OFF position and remove key.

ACCESSORY INSTALLATION

NOTICE

Driver side shown; passenger side similar.

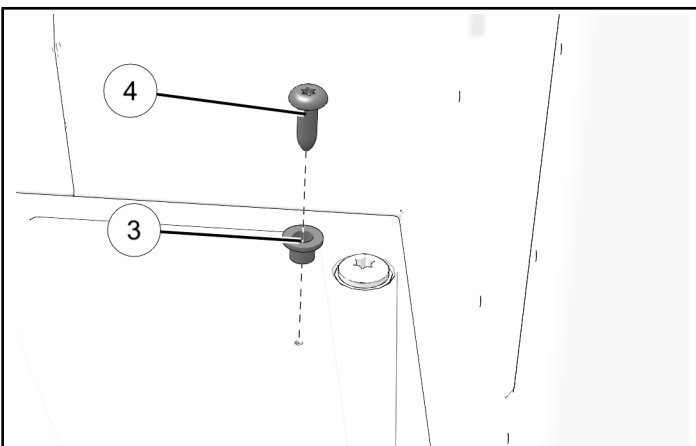
1. Locate six dimpled locations.



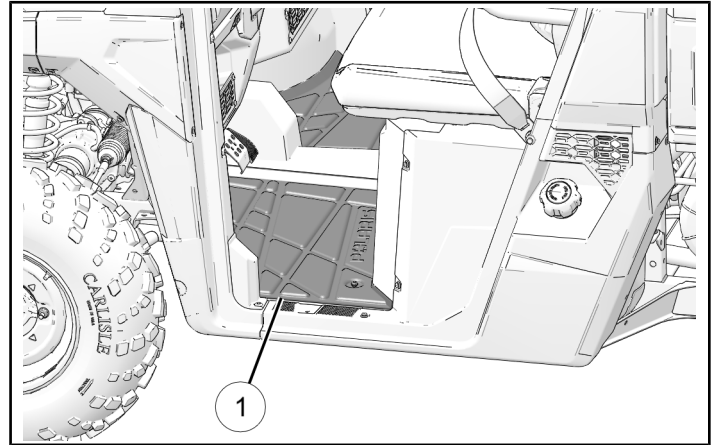
2. Install six spacers ③ with screws ④ in dimpled locations.

NOTICE

Do not overtighten screws



3. Install floor mats.



INSTRUCTION FEEDBACK FORM

A feedback form has been created for the installer to provide any comments, questions or concerns about the installation instructions. The form is viewable on mobile devices by scanning the QR code or by clicking [HERE](#) if viewing on a PC.

