

# HEADACHE RACK KIT



P/N 2889182

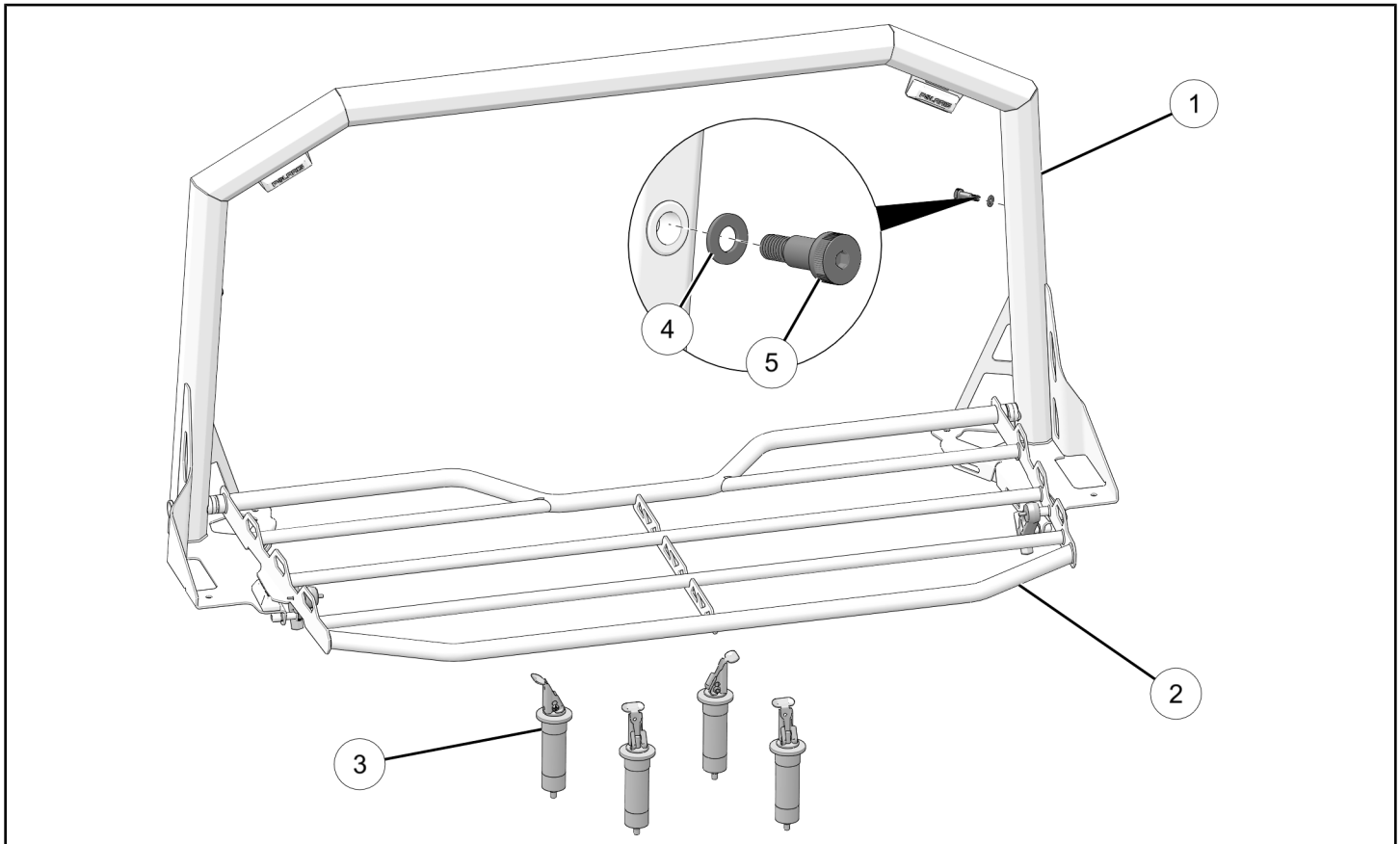
## BEFORE YOU BEGIN

Read these instructions and check to be sure all parts and tools are accounted for. Please retain these installation instructions for future reference and parts ordering information.

## APPLICATION

Verify accessory fitment at [www.polaris.com](http://www.polaris.com).

## KIT CONTENTS



REF	QTY	PART DESCRIPTION	P/N AVAILABLE SEPARATELY
1	1	Weld – Rack, Headache, Fixed	n/a
2	1	Weld – Rack, Headache, Moveable	n/a
3	4	Anchor Kit, Lock & Ride®	n/a
4	2	Washer – 16.0 x 8.4 x 1.5 mm	n/a
5	4	Bolt – Shoulder, M10 - 16, M8 x 1.0 mm	n/a

## TOOLS REQUIRED

- Safety Glasses
- Hex Key Set, Metric
- Wrench Set, Metric

## IMPORTANT

Your Headache Rack Kit is exclusively designed for your vehicle. Please read the installation instructions thoroughly before beginning. Installation is easier if the vehicle is clean and free of debris. For your safety, and to ensure a satisfactory installation, perform all installation steps correctly in the sequence shown.

## INSTALLATION INSTRUCTIONS

### VEHICLE PREPARATION

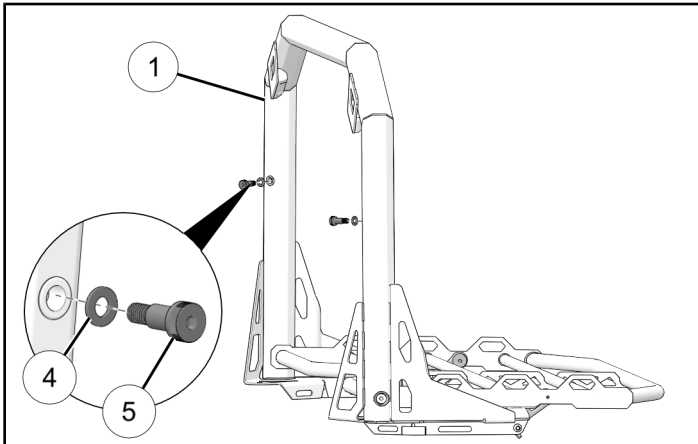
#### GENERAL

1. Park vehicle on a flat surface.
2. Shift vehicle into PARK.
3. Turn key to OFF position and remove key.

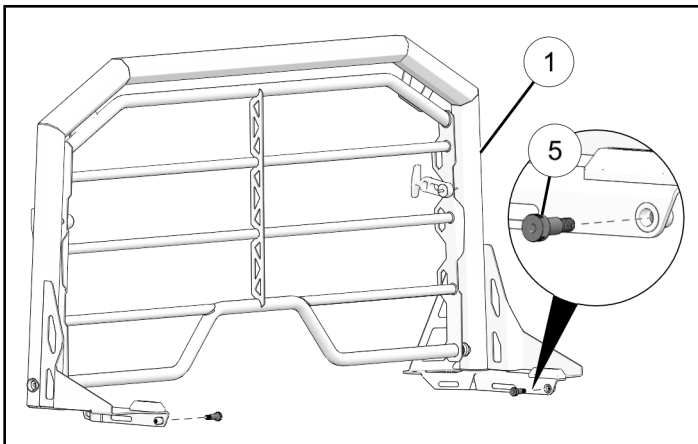
### ACCESSORY INSTALLATION

#### SHOULDER BOLT INSTALLATION

1. Install two washers (4) and two shoulder bolts (5) to upper headache rack (1).



2. Install two shoulder bolts (5) to lower headache rack (1).



3. Torque all shoulder bolts to specification.

#### TORQUE

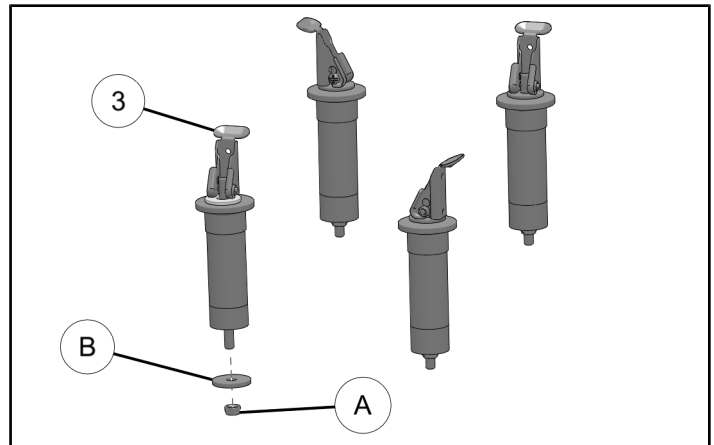
Shoulder Bolts (5):  
32 ft-lbs (44 N·m)

#### LOCK & RIDE® ANCHOR INSTALLATION

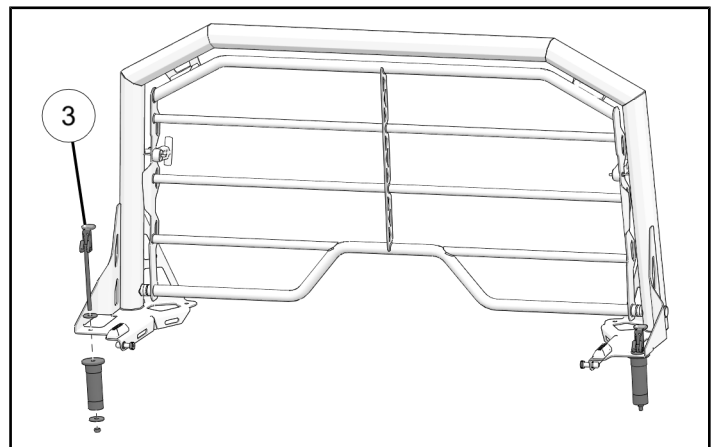
1. Remove nut (A) and washer (B) from each Lock & Ride® anchor (3).

#### IMPORTANT

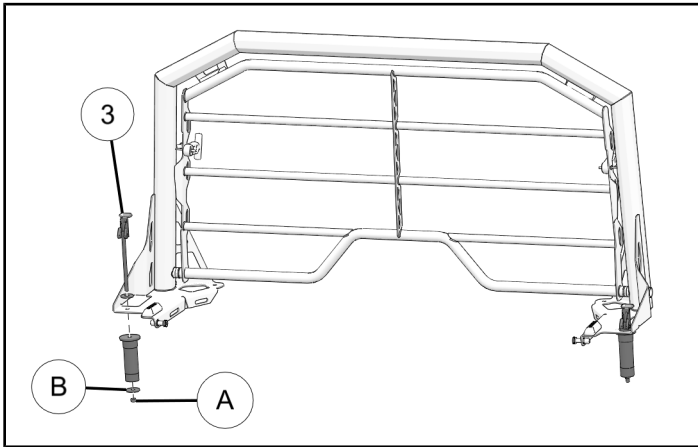
Make sure Lock & Ride® anchors are in the open position.



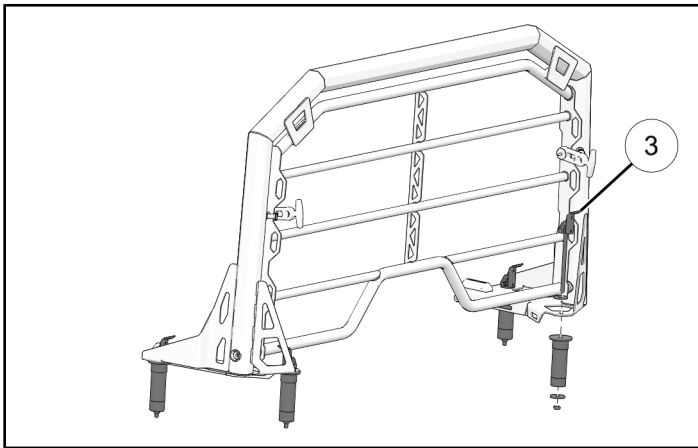
2. Install two Lock & Ride® anchors (3) to rear facing headache rack bracket.



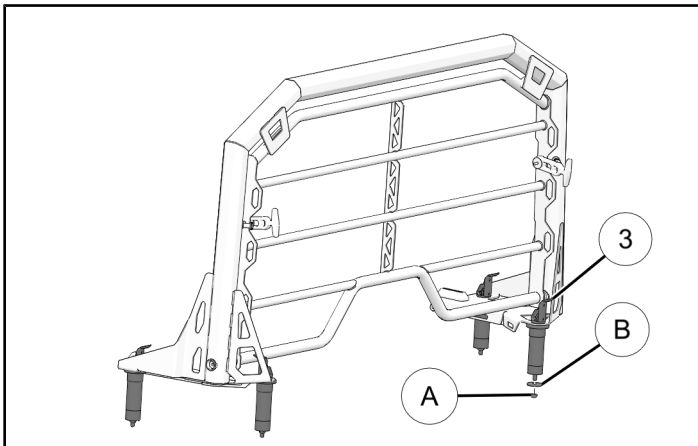
3. Install washer (B) and nut (A) onto each Lock & Ride® anchor (3).



4. Install two Lock & Ride® anchors (3) to front facing headache rack bracket.



5. Install washer (B) and nut (A) onto each Lock & Ride® anchor (3).

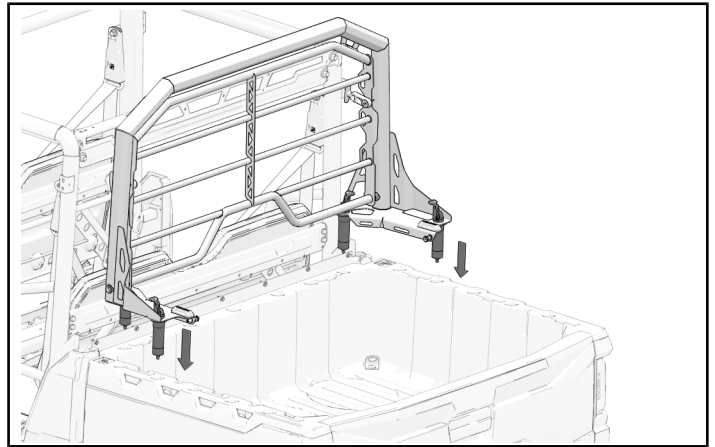


## HEADACHE RACK INSTALLATION

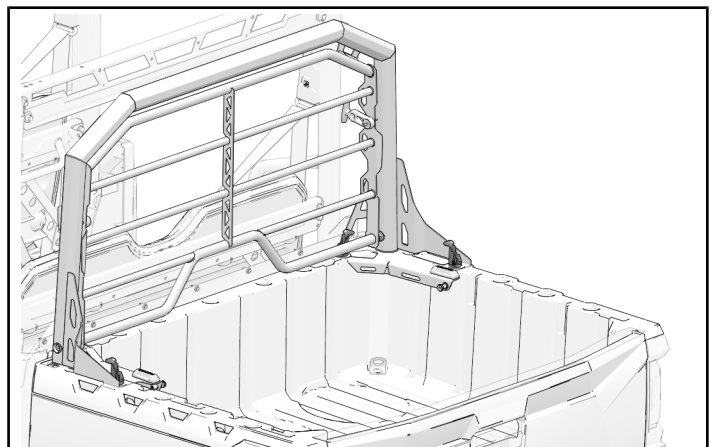
### ⚠ CAUTION

It is recommended that two people install headache rack onto vehicle bed. Headache rack is large and may be difficult for one person to easily handle. Failure to have two people install headache rack onto vehicle could result in damage to vehicle and/or headache rack and possible personal injury.

1. Make sure all four Lock & Ride® anchors are unlocked.
2. Lift headache rack onto sides of cargo box.
3. Align Lock & Ride® anchors on headache rack with holes on cargo box.



4. Install headache rack onto cargo box until anchors are fully seated.



5. Lock each anchor to hold headache rack onto vehicle. Refer to instructions included with Lock & Ride® anchors to adjust fit.

### ⚠ CAUTION

Weight limit of Headache Rack is 50 lbs/23 kg. To prevent damage to Headache Rack never exceed the standard weight limit of 50 lbs/23 kg.

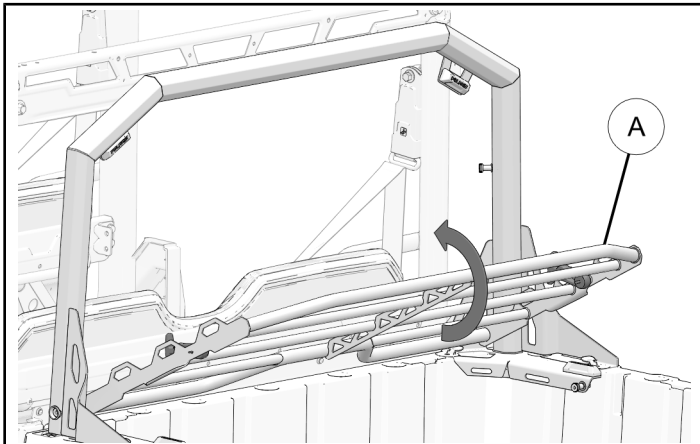
## OPERATION

### LOCK RACK IN UP POSITION

#### NOTICE

Headache rack has a moveable rack that is designed to be locked out of the way when not in use.

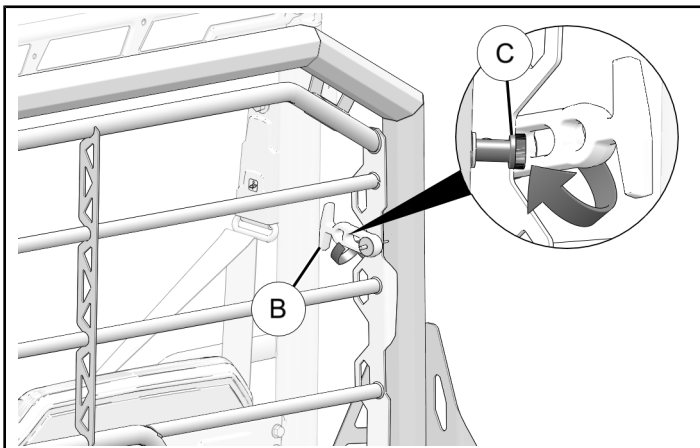
1. Raise moveable rack (A) into up position.



2. Attach two straps (B) to shoulder screws (C) on moveable rack.

#### NOTICE

Right-hand side shown; left-hand side similar.



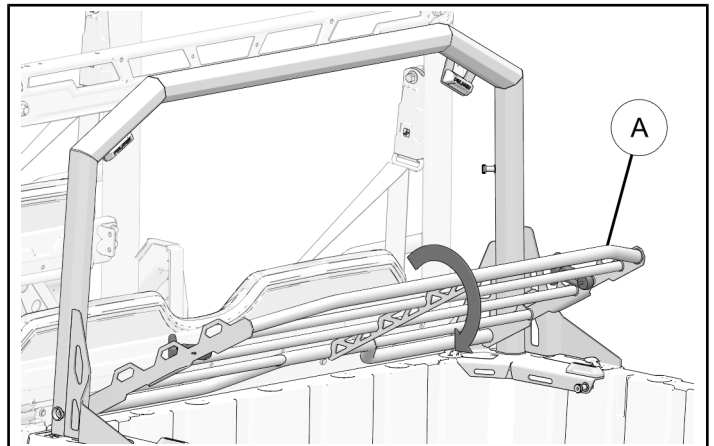
### INSTRUCTION FEEDBACK FORM

A feedback form has been created for the installer to provide any comments, questions or concerns about the installation instructions. The form is viewable on mobile devices by scanning the QR code or by clicking [HERE](#) if viewing on a PC.



### LOCK RACK IN DOWN POSITION

1. Lower rack (A) into down position.



2. Attach two straps (B) to shoulder screws (C).

