

BED EXTENDER KIT



P/N 2889183

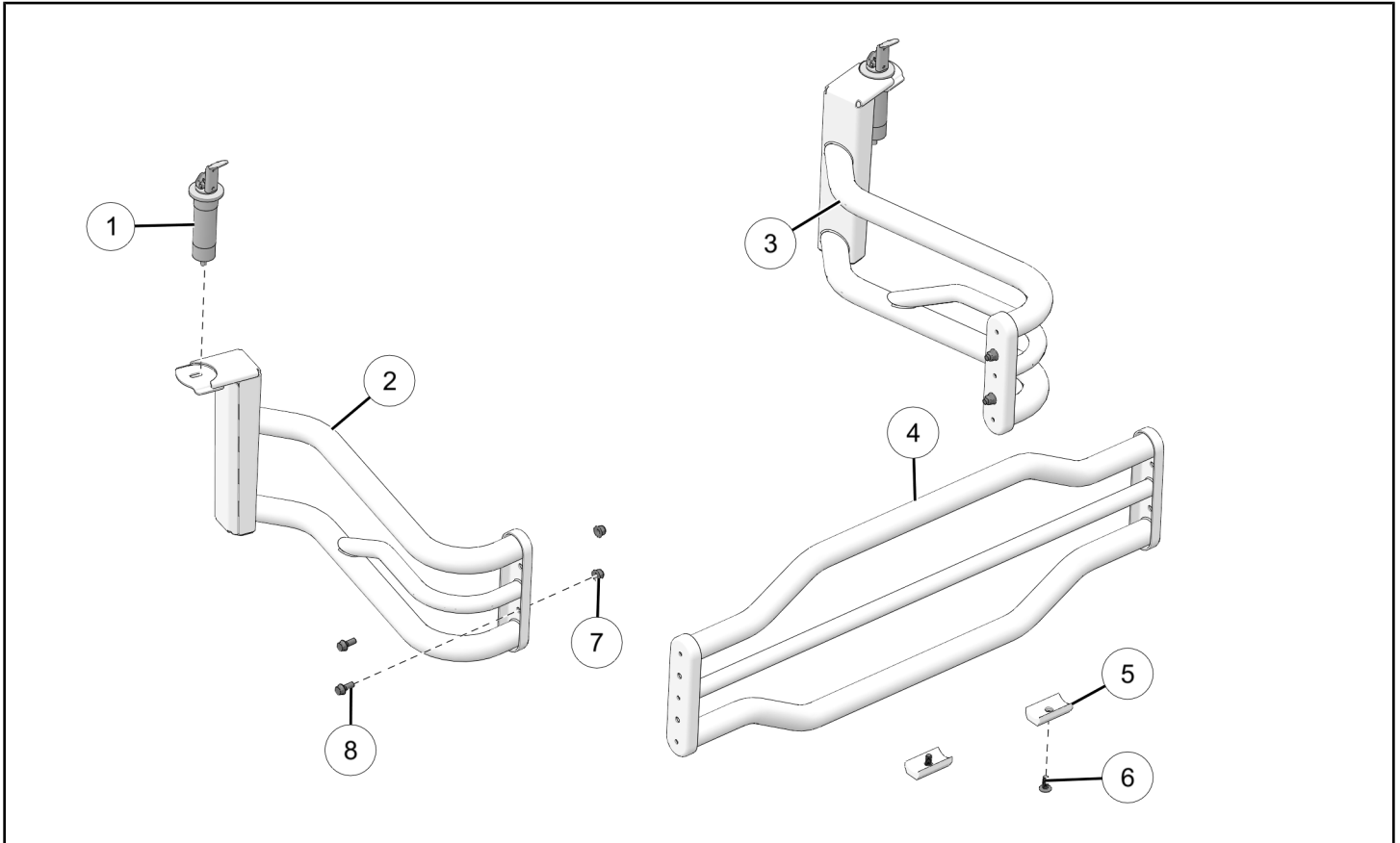
BEFORE YOU BEGIN

Read these instructions and check to be sure all parts and tools are accounted for. Please retain these installation instructions for future reference and parts ordering information.

APPLICATION

Verify accessory fitment at www.polaris.com.

KIT CONTENTS



REF	QTY	PART DESCRIPTION	P/N AVAILABLE SEPARATELY
1	2	Kit-Lock & Ride®	n/a
2	1	Weld-Bed Extender, Left-Hand	n/a
3	1	Weld-Bed Extender, Right-Hand	n/a
4	1	Weld-Bed Extender, Center	n/a
5	2	Shoe-Skid	n/a
6	2	Screw-Torx® Button Head Flange, M8 x 1.25 x 20 mm	n/a
7	4	Nut-Nylon Locking, M8 x 1.25 mm	7547332
8	4	Bolt-Hex Flange, M8 x 1.25 x 20 mm	7517497

TOOLS REQUIRED

- Safety Glasses
- Socket Set, Metric
- Socket Set, Torx® Bit
- Torque Wrench
- Wrench Set, Metric

IMPORTANT

Your Bed Extender Kit is exclusively designed for your vehicle. Please read the installation instructions thoroughly before beginning. Installation is easier if the vehicle is clean and free of debris. For your safety, and to ensure a satisfactory installation, perform all installation steps correctly in the sequence shown.

INSTALLATION INSTRUCTIONS

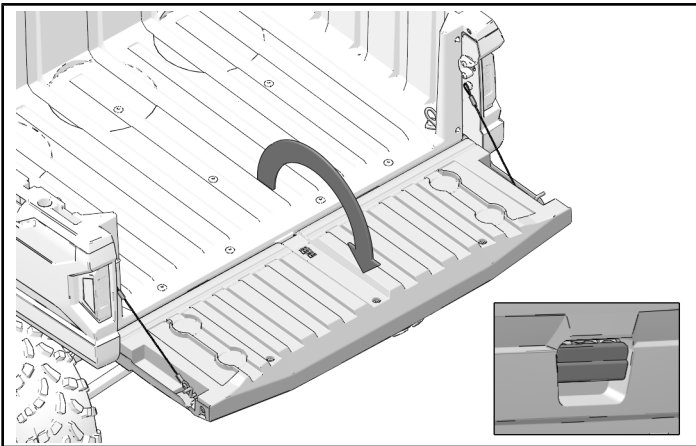
VEHICLE PREPARATION

GENERAL

1. Park vehicle on a flat surface.
2. Shift vehicle into PARK.
3. Turn key to OFF position and remove key.

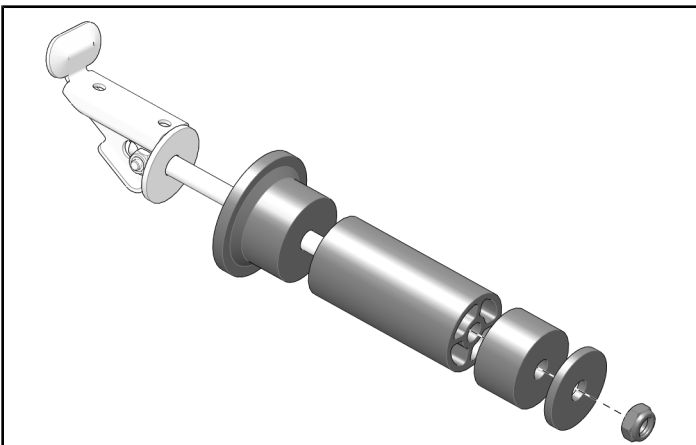
CARGO BOX ACCESS

1. Lift handle and fold tailgate down.

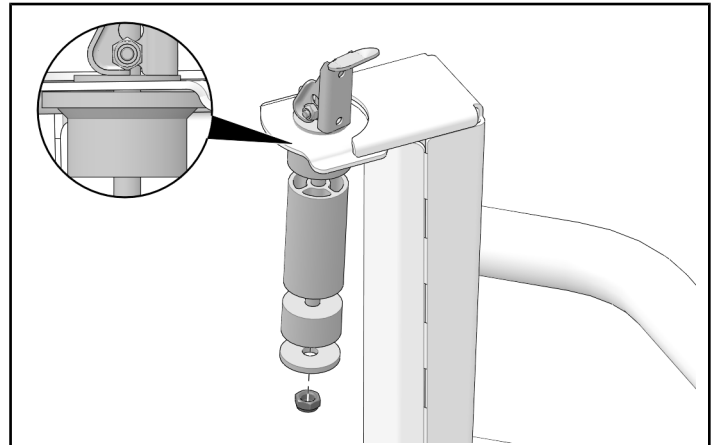


ACCESSORY INSTALLATION

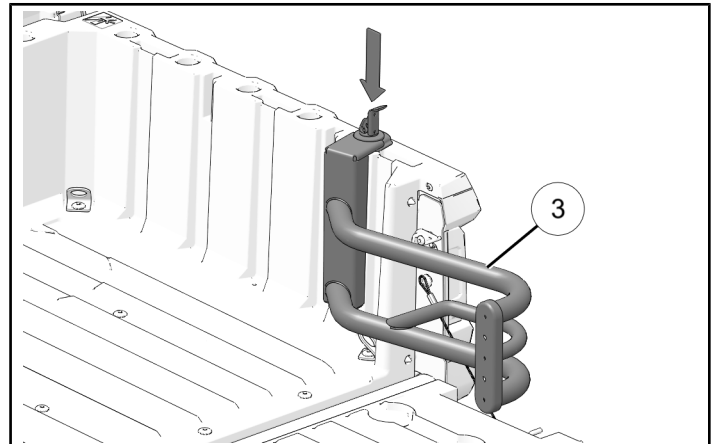
1. Disassemble each Lock & Ride® anchor ①, as shown.



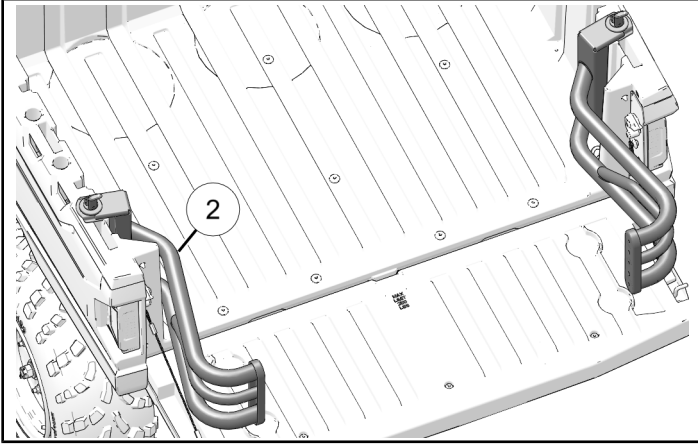
2. Assemble Lock & Ride® anchors ① onto the left-hand extender ② and the right-hand extender ③. Make sure the washer is on top of the extender, as shown.



3. Align Lock & Ride® anchor of the right-hand extender ③ with the rear-most hole in the cargo box.



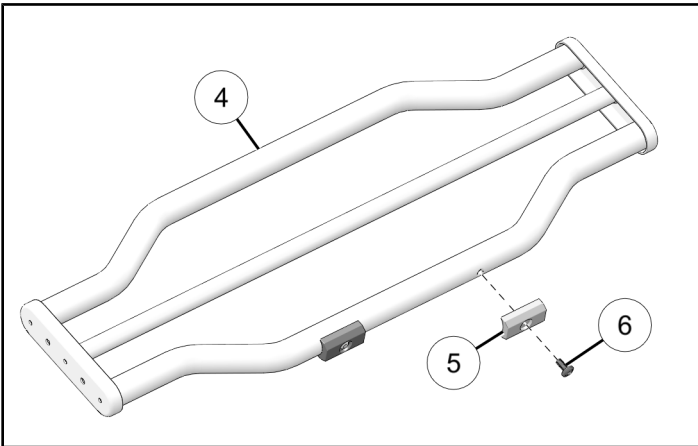
- Align Lock & Ride® anchor of the left-hand extender ② with the rearmost hole in the cargo box.



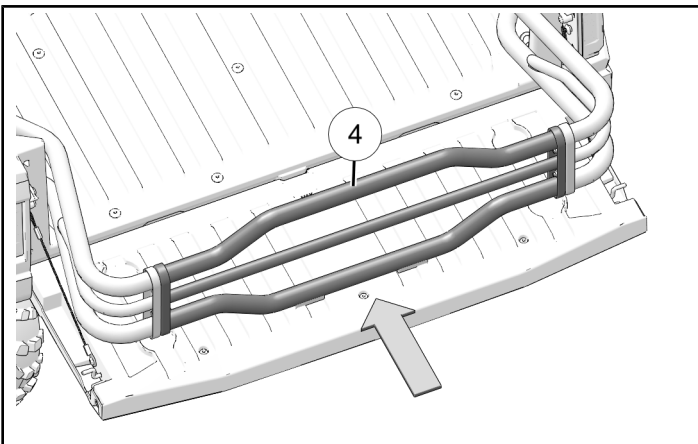
- Install two skid shoes ⑤ to the center assembly ④ with two screws ⑥. Torque screws to specification.

TORQUE

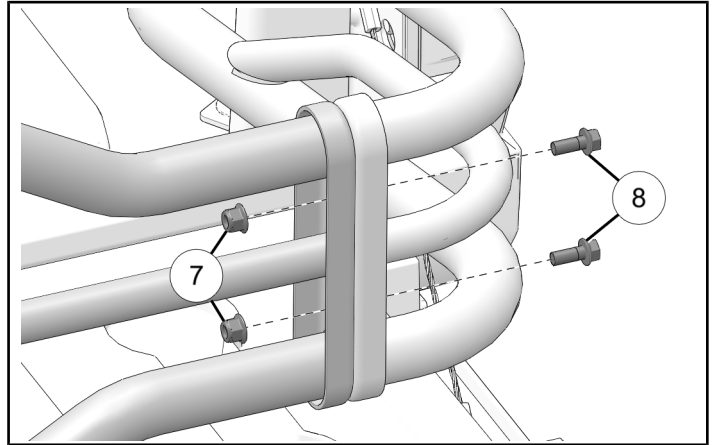
Skid Shoe Screws ⑥:
16 ft-lbs (22 N·m)



- Put the center assembly ④ on the tailgate between the right and left extenders.



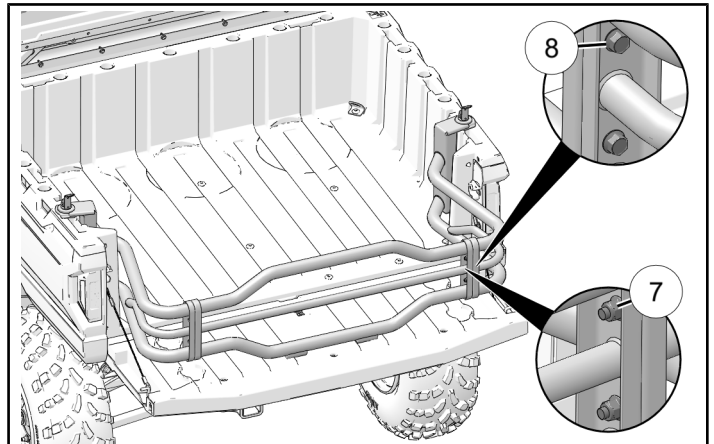
- Loosely install each side of the center assembly with two bolts ⑧ and two nuts ⑦.



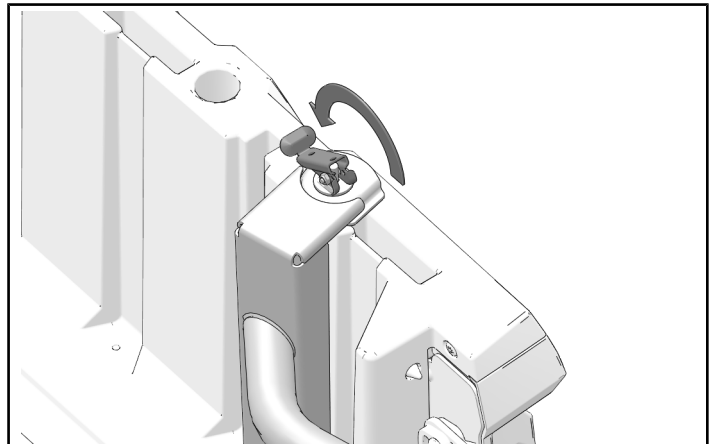
- Counter-hold the nut ⑦ and torque each bolt ⑧ to specification.

TORQUE

Bed Extender Bolts ⑧:
16 ft-lbs (22 N·m)



- Close each Lock & Ride® lever to complete installation.



INSTRUCTION FEEDBACK FORM

A feedback form has been created for the installer to provide any comments, questions or concerns about the installation instructions. The form is viewable on mobile devices by scanning the QR code or by clicking [HERE](#) if viewing on a PC.

