

RIDE COMMAND® MOUNT KIT



P/N 2889163

BEFORE YOU BEGIN

Read these instructions and check to be sure all parts and tools are accounted for. Please retain these installation instructions for future reference and parts ordering information.

APPLICATION

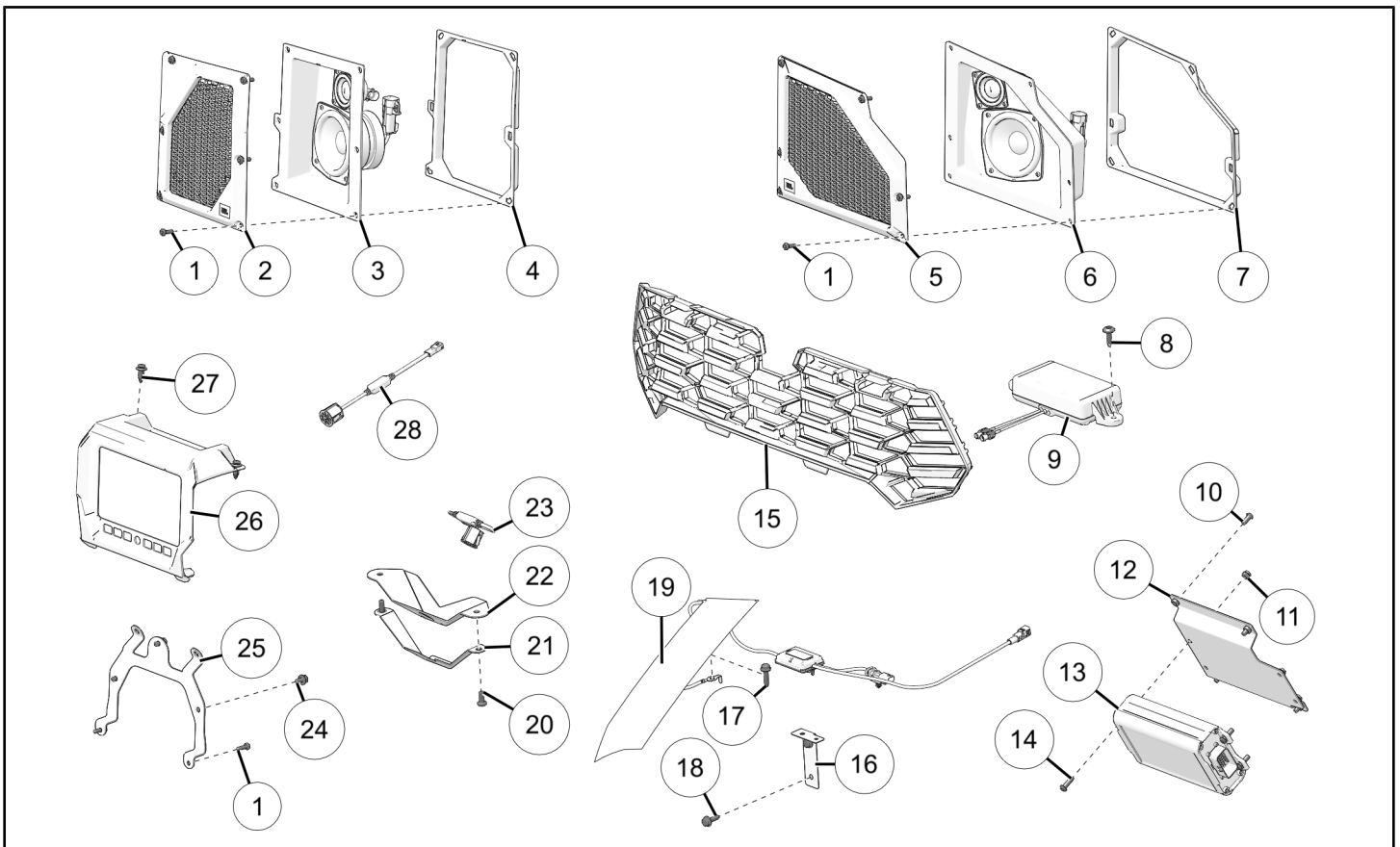
Verify accessory fitment at www.polaris.com.

REQUIRED SOLD SEPARATELY

Only parts for installation of the Ride Command® Mount Kit are included. For complete installation, the following additional kit is required (sold separately):

- Ride Command® Display Kit, P/N 2884072

KIT CONTENTS

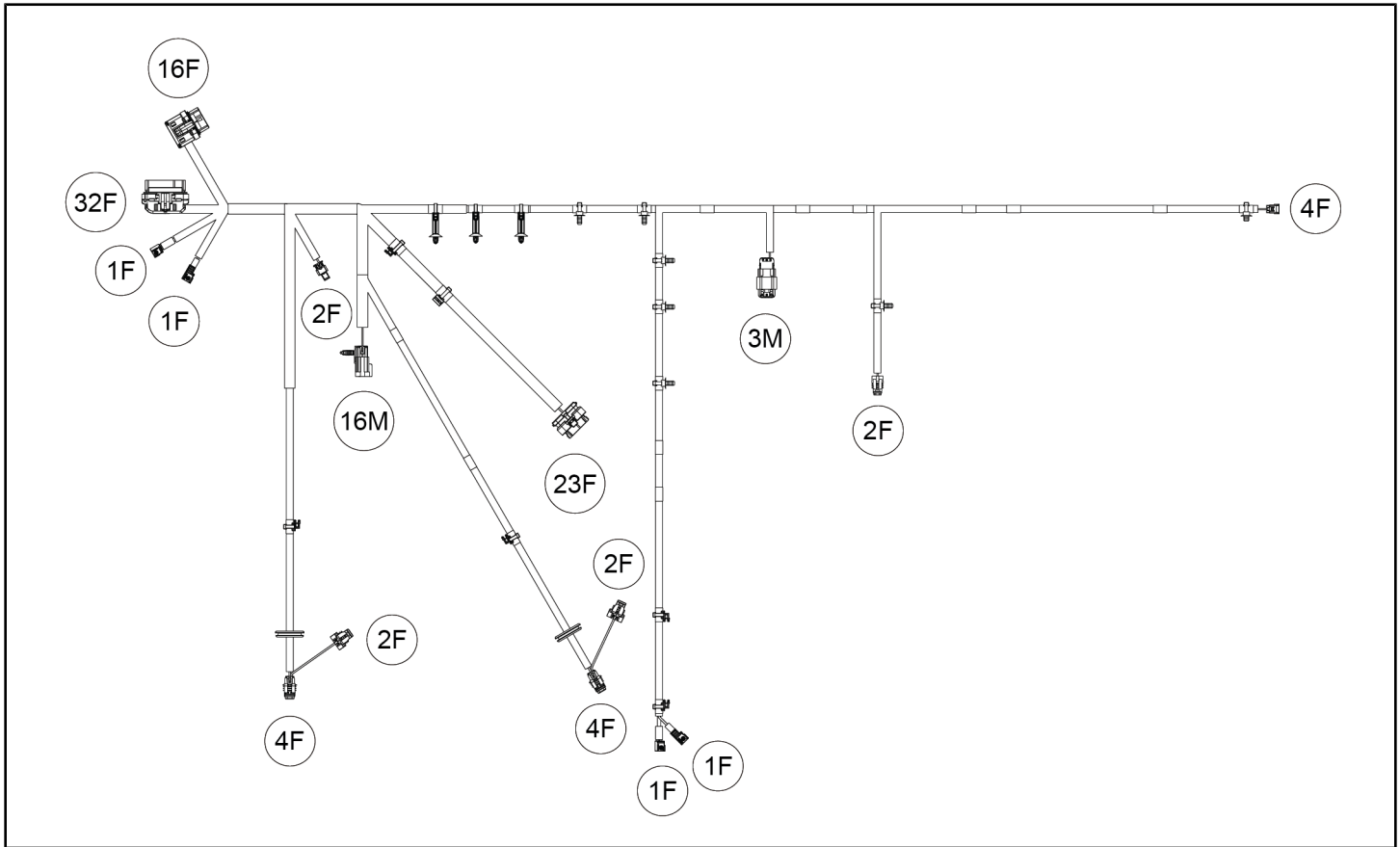


REF	QTY	PART DESCRIPTION	P/N AVAILABLE SEPARATELY
1	14	Screw-Torx® Pan Head, Hi/Lo, #10 x 3/4 in	7512026
2	1	Grille-Speaker, Right	n/a
3	1	Assembly-Speaker, Right	2415972
4	1	Seal-Speaker, Right	5417897

REF	QTY	PART DESCRIPTION	P/N AVAILABLE SEPARATELY
5	1	Grille–Speaker, Left	n/a
6	1	Assembly–Speaker, Left	2415971
7	1	Seal–Speaker, Left	5417896
8	2	Screw–Torx® Truss Head, M6 x 1.0 x 25 mm	7519650
9	1	Antenna–GPS, V2V, Vehicle-To-Vehicle	4019300
10	4	Screw–Hex Button Head, M6 x 1.0 x 14 mm	7519061
11	4	Nut–Hex, M6 x 1.0 mm	7547505
12	1	Bracket–Amplifier	5271651
13	1	Assembly–Amplifier	2415721
14	4	Screw–Hex Button Head, M6 x 1.0 x 20 mm	7517782
15	1	Grille–Fascia, Front	5457983
16	1	Bracket–LNA	n/a
17	1	Screw–Hex Flange, M6 x 1.0 x 25 mm	7520715
18	2	Screw–Hex Flange, Thread Forming, M6 1.0 x 20 mm	7518529
19	1	Antenna–AM/FM	4080787
20	2	Screw–Torx® Pan Head, Hi/Lo #14 x 5/8 in	7520803
21	1	Shield–Camera, Rear	5272505
22	1	Bracket–Camera Mount	n/a
23	1	Camera–Rear	4019856
24	3	Screw–Hex Flange, M6 x 1.0 x 10 mm	7519164
25	1	Bracket–Display	5271652
26	1	Bezel–7 in Display	5458002
27	4	Rivet–Push-Pin	7661855
28	1	Camera–Front, Wide Angle	4019855
29	8	Cable Tie (not shown)	7080492
30	1	Harness–USB (not shown)	2415498
31	1	Harness–Ride Command® (see <i>Harness Detail</i> section)	2415964

HARNESS DETAIL

RIDE COMMAND® HARNESS



REF	PART DESCRIPTION	CONNECTS TO
32F	Connector–Display	Ride Command® display
1F	Connector–GPS, V2V	Ride Command® display
1F	Connector–GPS	Ride Command® display
16F	Connector–Power	Ride Command® display
4F	Connector–Speaker, Right, Driver	Speaker Assembly, Right
2F	Connector–Speaker, Right, Tweeter	Speaker Assembly, Right
2F	Connector–AM/FM	AM/FM
16M	Connector–Power	Chassis Harness
23F	Connector–Amplifier	Amplifier
4F	Connector–Speaker, Left, Driver	Speaker Assembly, Left
2F	Connector–Speaker, Left, Tweeter	Speaker Assembly, Left
1F	Connector–GPS, V2V	V2V GPS
1F	Connector–GPS	GPS Antenna
3M	Connector–Winch	Winch Harness
2F	Connector–Ambient Air	Ambient Air Sensor

REF	PART DESCRIPTION	CONNECTS TO
4F	Connector–Video	Front Camera
Example: 16F = 16 pin, Female / 16M = 16 pin, Male (Male terminal fits inside female terminal)		

TOOLS REQUIRED

- Safety Glasses
- Drill
- Drill Bit:
 - 21/32 in (17 mm)
 - 1/8 in (3 mm)
 - 7/8 in (22 mm)
- File, Flat
- Pliers, Push Pin Rivet
- Push Dart (Panel Clip) Tool
- Screwdriver Set, Torx®
- Socket Set, Metric
- Wrench Set, Metric

CONSUMABLES REQUIRED

- Cloth, Non-Abrasive, Lint-Free
- Isopropyl Alcohol (IPA)
- Gloves, Chemical Resistant

IMPORTANT

Your Ride Command® Mount Kit is exclusively designed for your vehicle. Please read the installation instructions thoroughly before beginning. Installation is easier if the vehicle is clean and free of debris. For your safety, and to ensure a satisfactory installation, perform all installation steps correctly in the sequence shown.

INSTALLATION INSTRUCTIONS

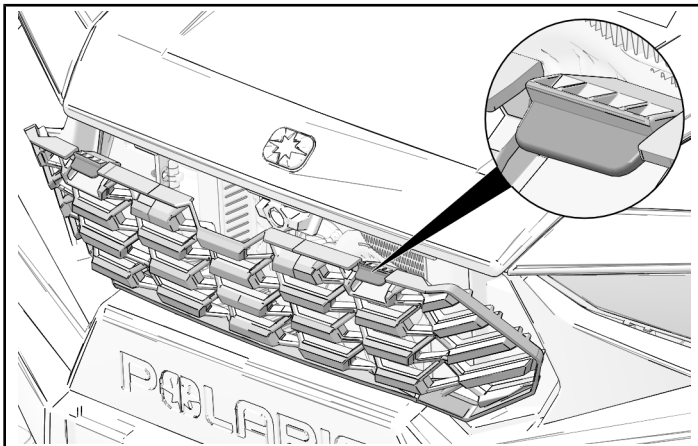
VEHICLE PREPARATION

GENERAL

1. Park vehicle on a flat surface.
2. Shift vehicle into PARK.
3. Turn key to OFF position and remove key.

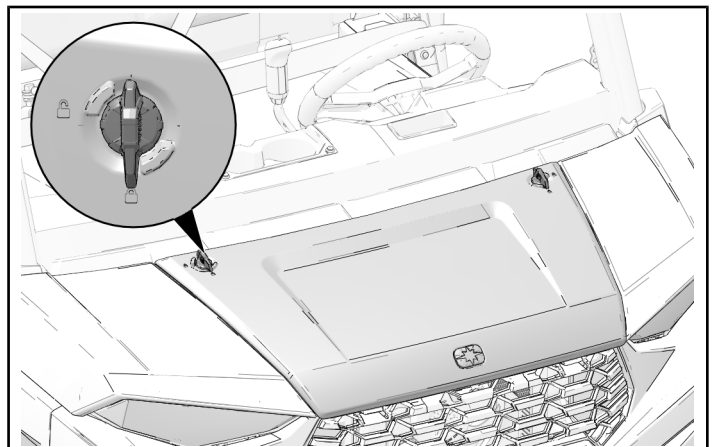
GRILLE REMOVAL

1. Push two tabs down to remove grille.



HOOD REMOVAL

1. Turn two quarter-turn fasteners to unlock position to remove hood from vehicle.

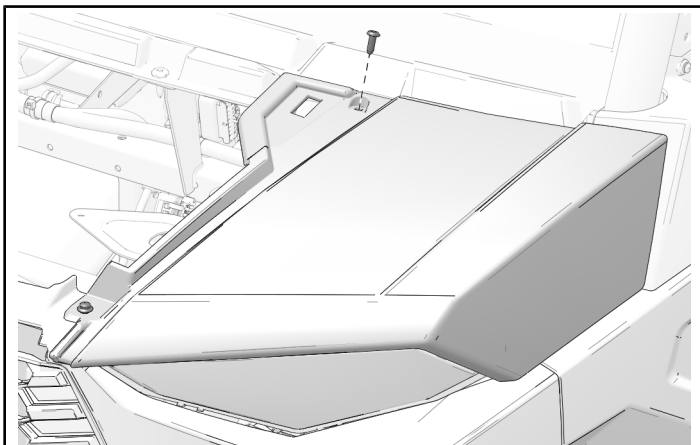


OUTER HOOD REMOVAL

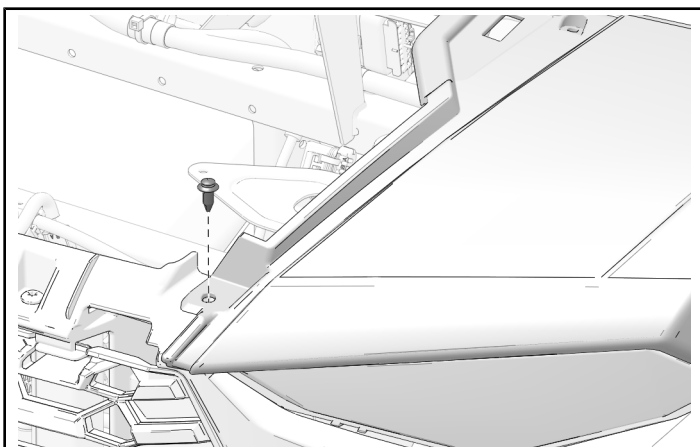
NOTICE

Left side shown; right side similar.

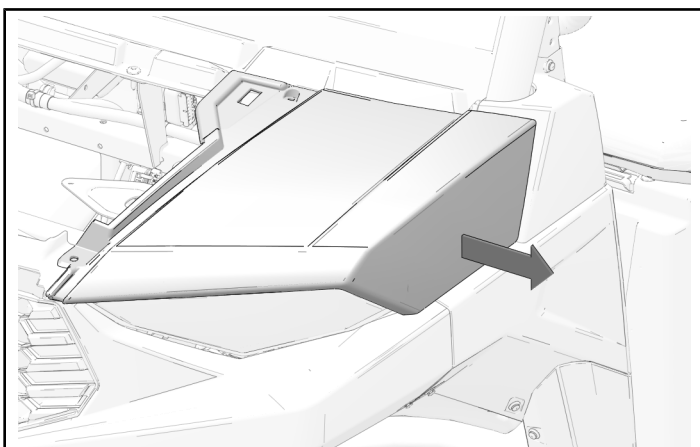
1. Remove and keep one screw from outer hood.



2. Remove and keep one push-pin rivet from outer hood.

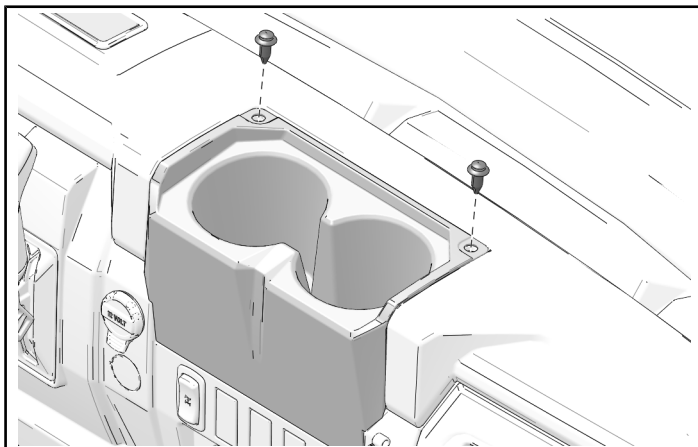


3. Pull outer hood away from vehicle.

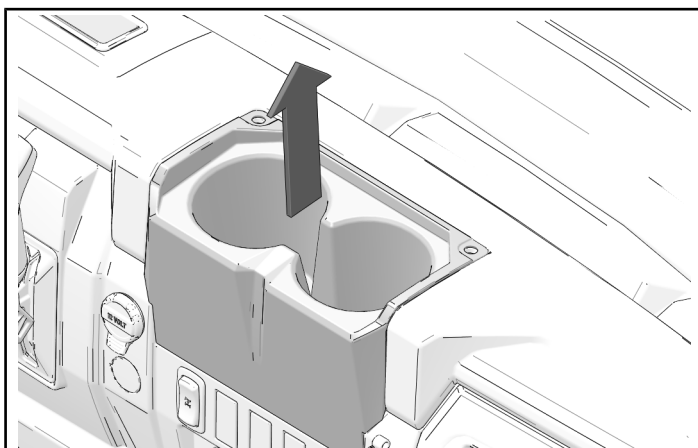


CUP HOLDER REMOVAL

1. Remove two push-pin rivets from cup holder.

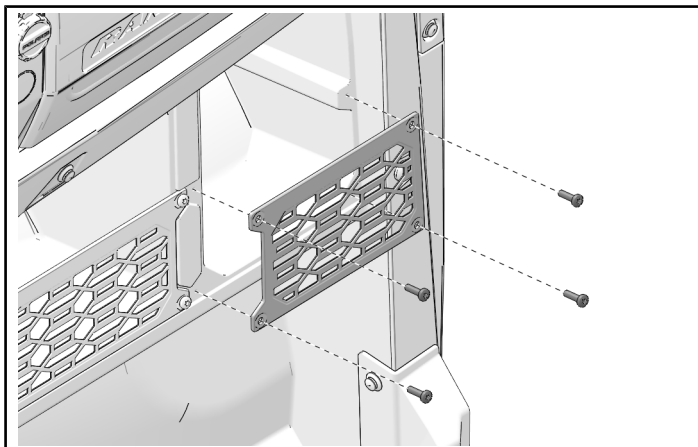


2. Remove cup holder from dashboard.



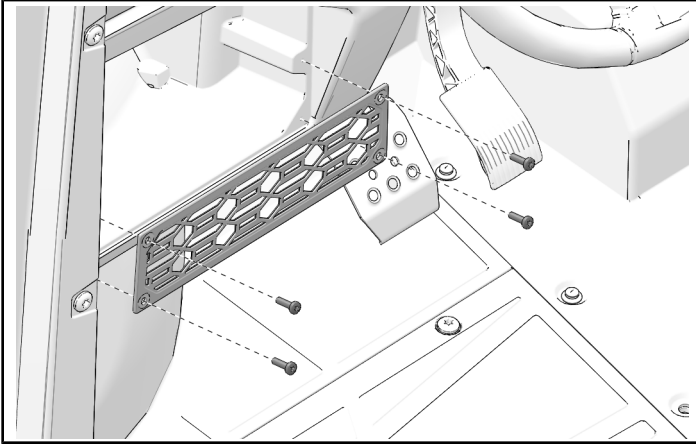
PASSENGER STORAGE NET REMOVAL

1. Remove four screws to remove passenger storage net.



DRIVER STORAGE NET REMOVAL

1. Remove four screws to remove driver storage net.



ACCESSORY INSTALLATION

NOTICE

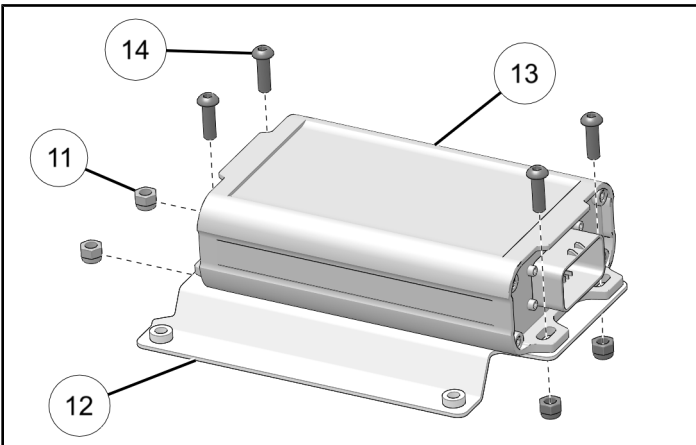
Parts of vehicle have been hidden for clarity.

AMPLIFIER INSTALLATION

1. Install amplifier bracket (12) to amplifier (13) with four screws (14) and four nuts (11). Torque to specification.

TORQUE

Amplifier Nuts (11):
26 in-lbs (3 N·m)



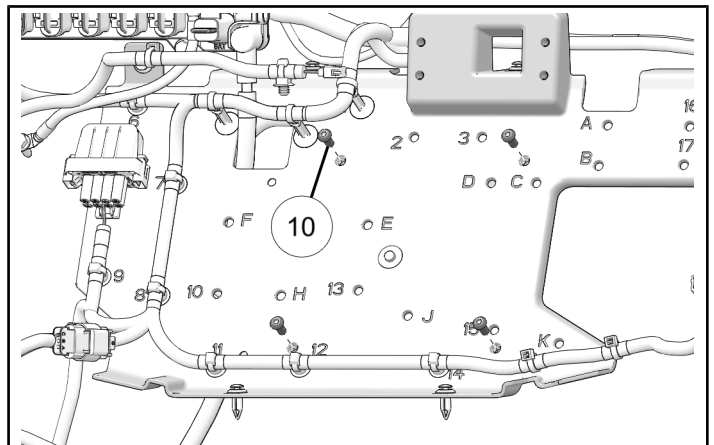
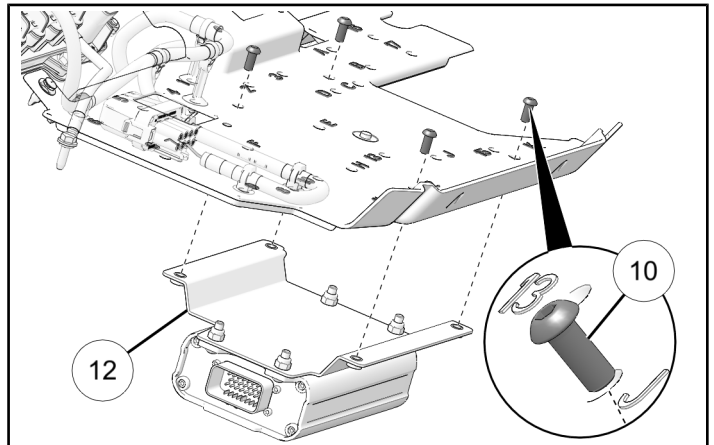
2. Install amplifier bracket (12) to the backside of the electrical mount with four screws (10). Torque to specification.

NOTICE

Make sure amplifier bracket is installed with amplifier connector facing passenger side of vehicle.

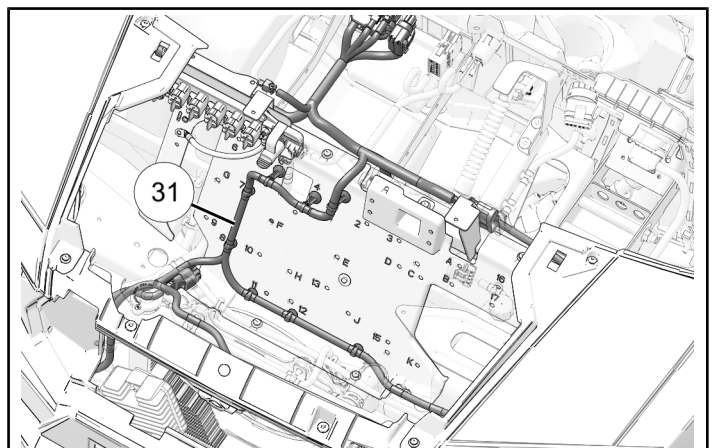
TORQUE

Amplifier Bracket Screws (10):
44 in-lbs (5 N·m)

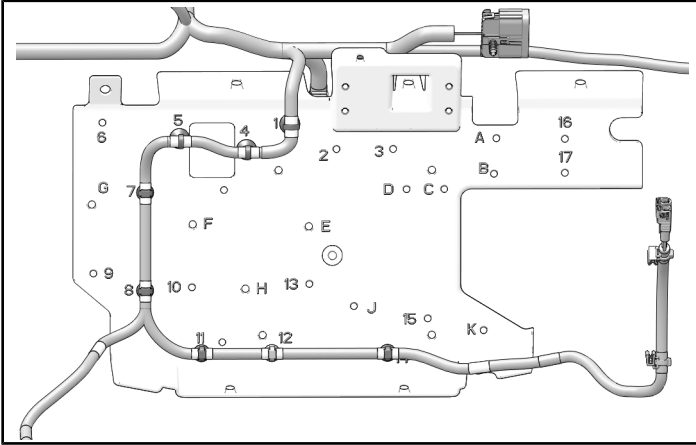


AUDIO HARNESS INSTALLATION

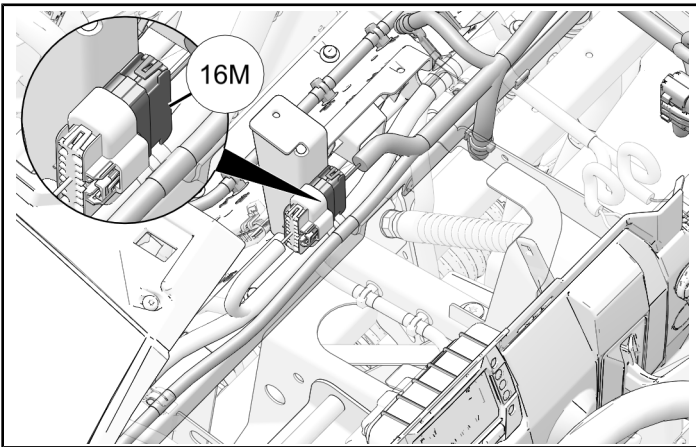
1. Install audio harness (31).



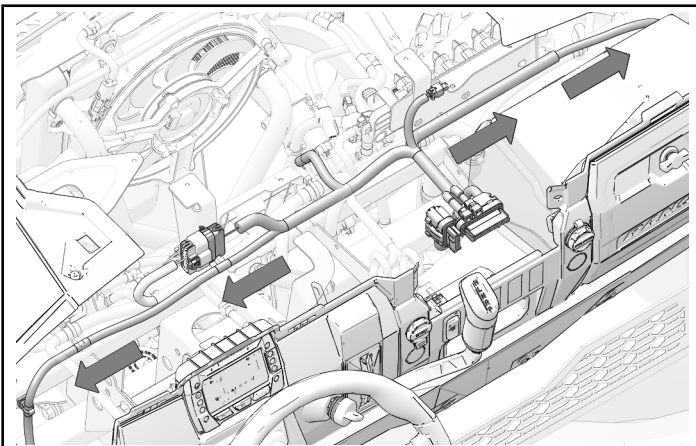
2. Install harness cable ties to electric mount panel locations, as shown.



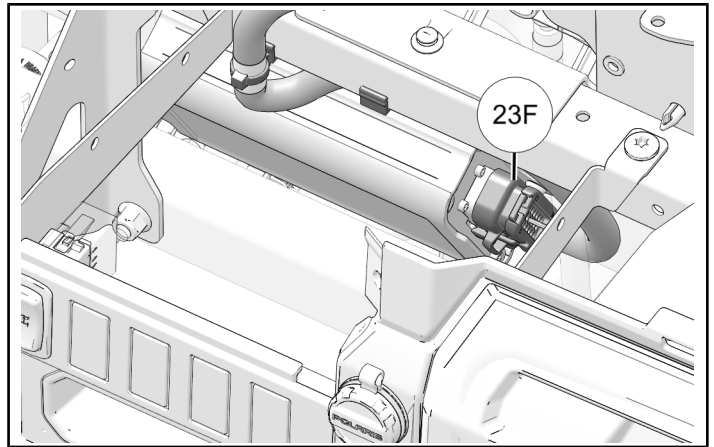
3. Install audio harness 16M to chassis harness.



4. Route audio harness along chassis bar to left-side and right-side speaker locations.



5. Connect 23F to amplifier.



DRIVER SIDE SPEAKER INSTALLATION

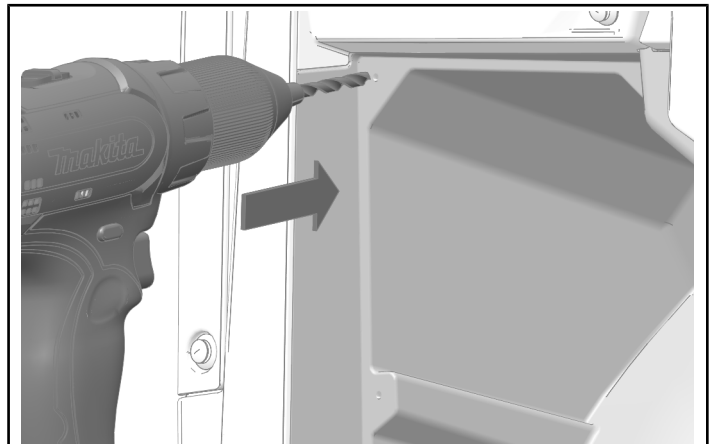
TIP

Verify speaker assembly and speaker grille holes align with drill point dimples BEFORE drilling into the lower dash. Adjust drill points as needed.

1. Drill six holes through fastener dimples on left side of lower dash panel.

MEASUREMENT

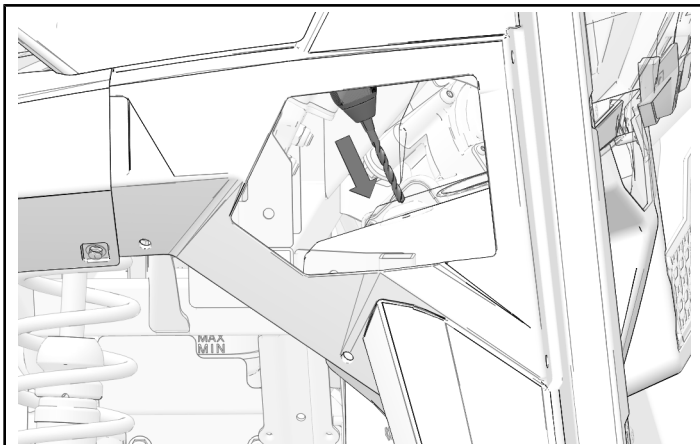
Drill Bit Size:
1/8 in (3 mm)



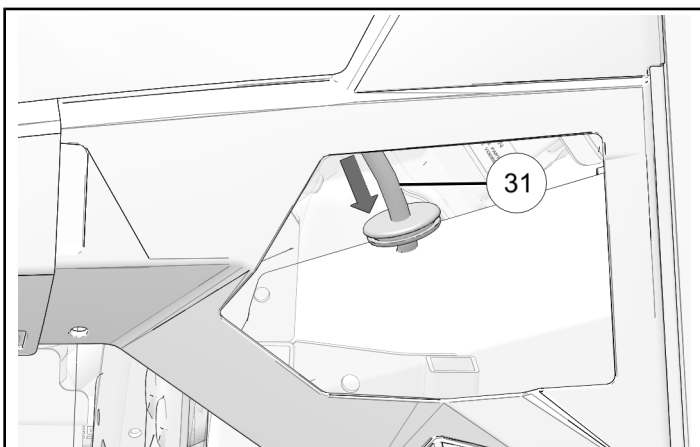
2. Drill speaker harness hole through dimple on outside of speaker compartment on lower dash.

MEASUREMENT

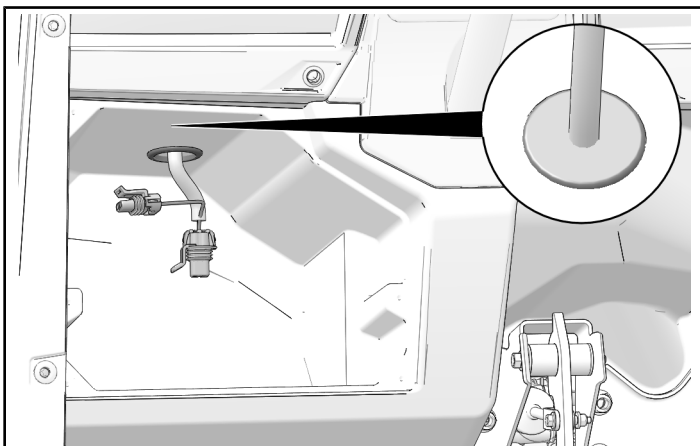
Drill Bit Size:
21/32 in (17 mm)



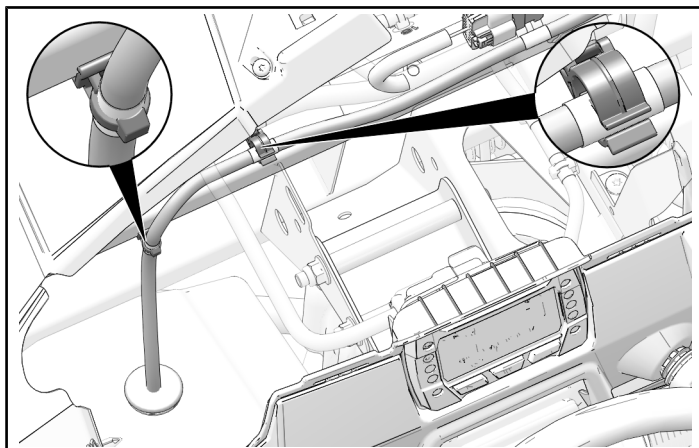
3. Route speaker harness ① through hole in speaker compartment on lower dash.



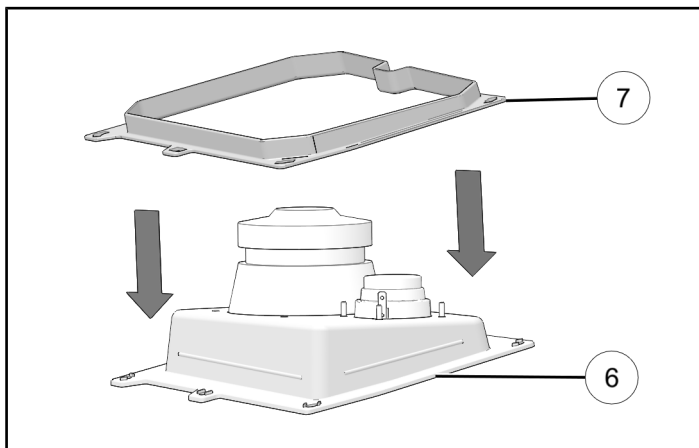
4. Install grommet into harness hole in speaker compartment on lower dash.



5. Install speaker harness edge clip to the chassis bar located inside of upper dash.



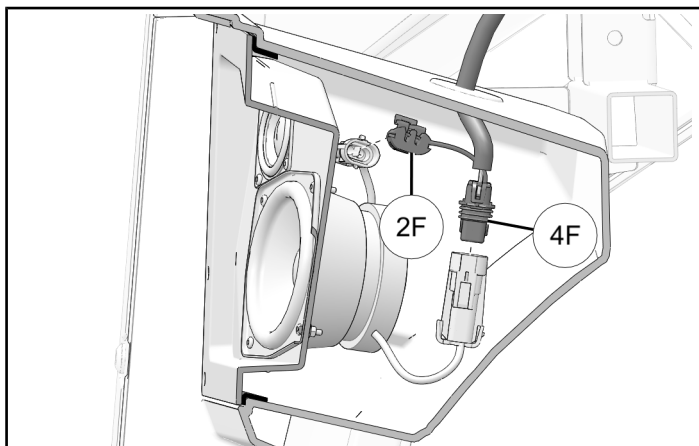
6. Install speaker seal ⑦ onto backside of speaker ⑥.



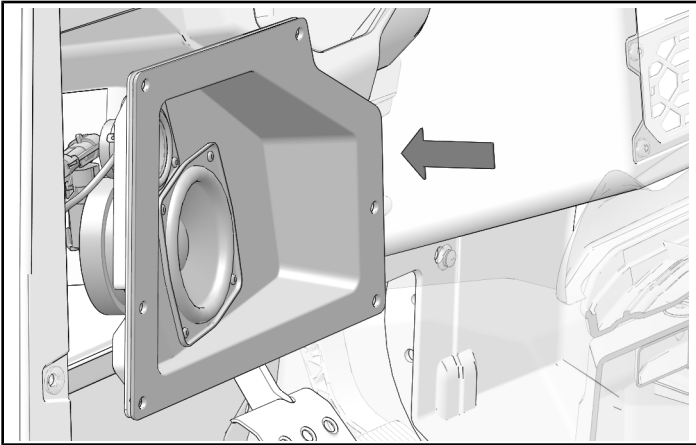
7. Connect Ride Command® harness 4F to speaker and 2F to tweeter.

NOTICE

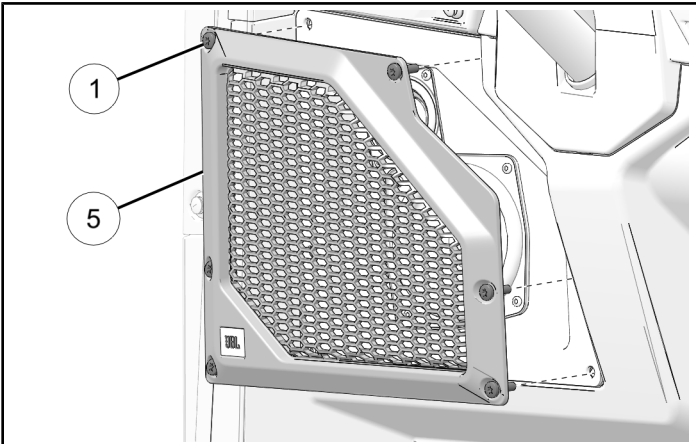
Part of lower dash has been hidden to show speaker harness connections.



- Set speaker assembly into speaker compartment on lower dash.



- Install left side speaker grille (5) to right side speaker assembly and to lower dash compartment with six screws (1).



- Torque to specification.

TORQUE

Left Side Speaker Screws (1):
44 in-lbs (5 N·m)

PASSENGER SIDE SPEAKER INSTALLATION

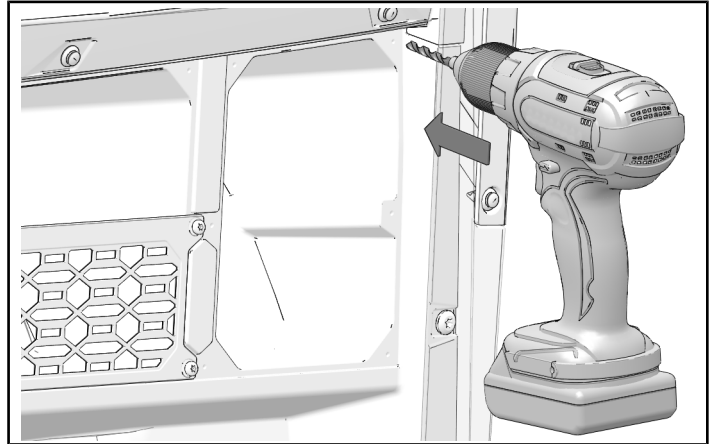
TIP

Verify speaker assembly and speaker grille holes align with drill point dimples BEFORE drilling into the lower dash. Adjust drill points as needed.

- Drill six holes through fastener dimples on right side of lower dash panel.

MEASUREMENT

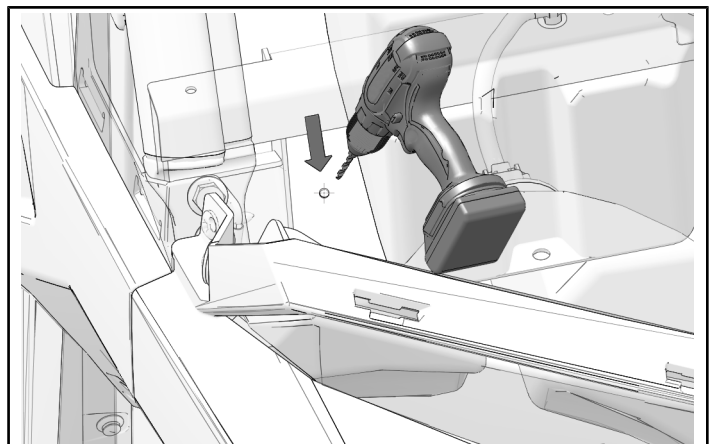
Drill Bit Size:
1/8 in (3 mm)



- Drill pilot hole through the dimple on the outside of the speaker compartment on lower dash.

MEASUREMENT

Drill Bit Size:
1/8 in (3 mm)



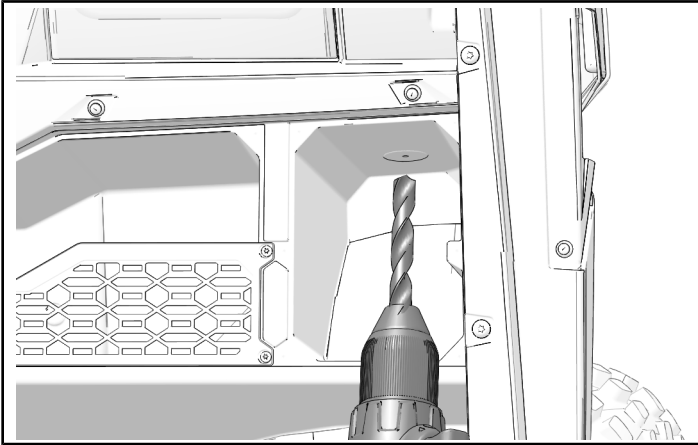
3. Drill larger hole for speaker harness.

MEASUREMENT

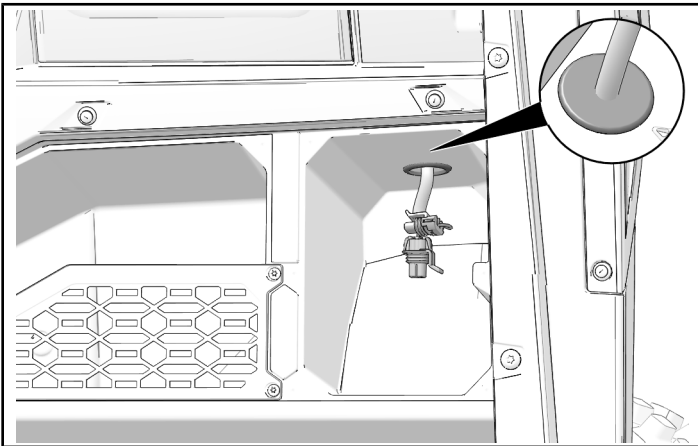
Drill Bit Size:
21/32 in (17 mm)

TIP

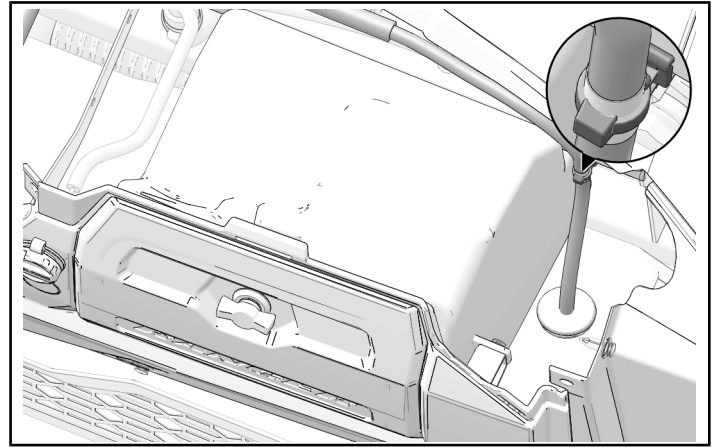
Drill hole from inside of speaker compartment up through the top of speaker compartment space.



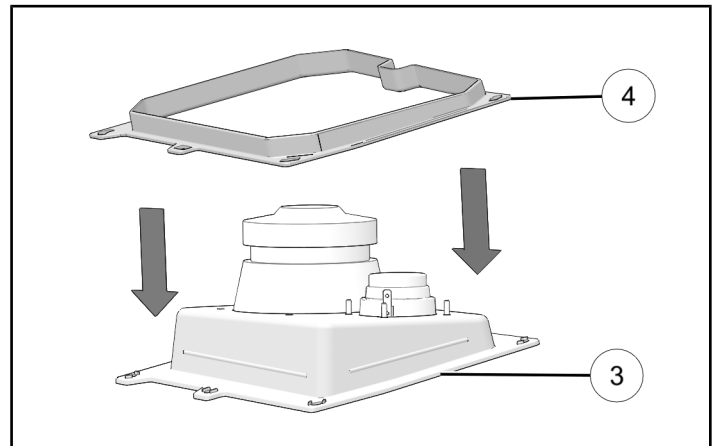
4. Route speaker harness through hole in speaker compartment on lower dash.
5. Install grommet into harness hole in speaker compartment on lower dash.



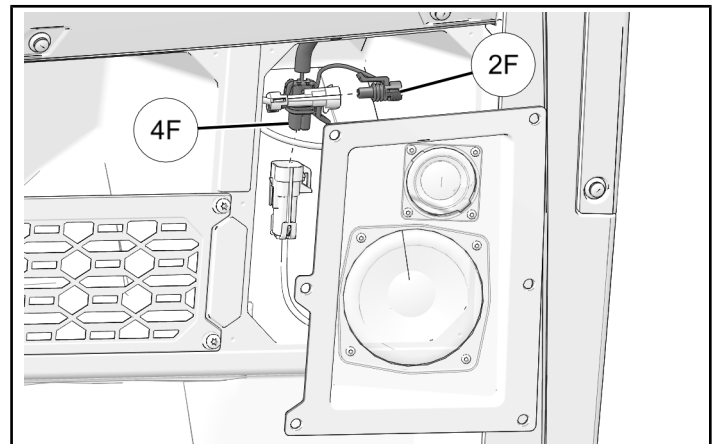
6. Install speaker harness edge clip to the chassis bar located inside of upper dash.



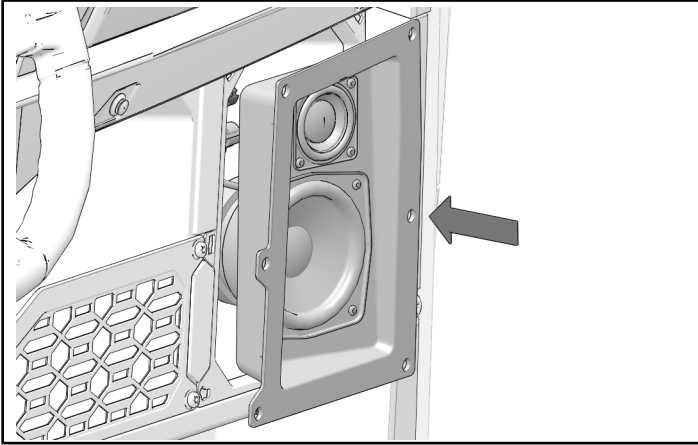
7. Install speaker seal ④ onto backside of speaker ③.



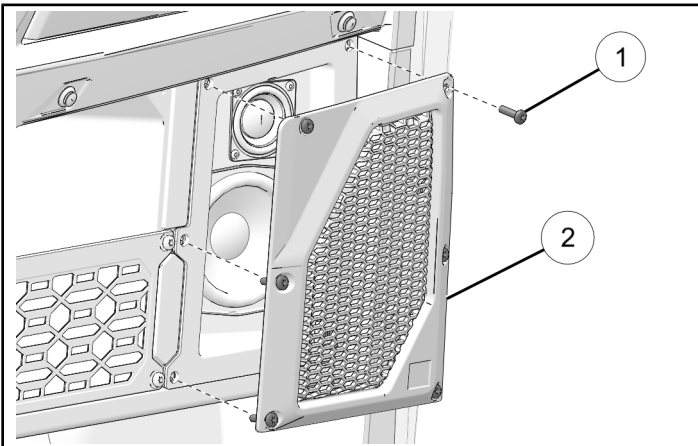
8. Connect Ride Command® harness 4F to speaker and 2F to tweeter.



- Carefully place speaker assembly into speaker compartment on lower dash.



- Install right side speaker grille (2) to right side speaker assembly and to lower dash compartment with six screws (1).



- Torque to specification.

TORQUE

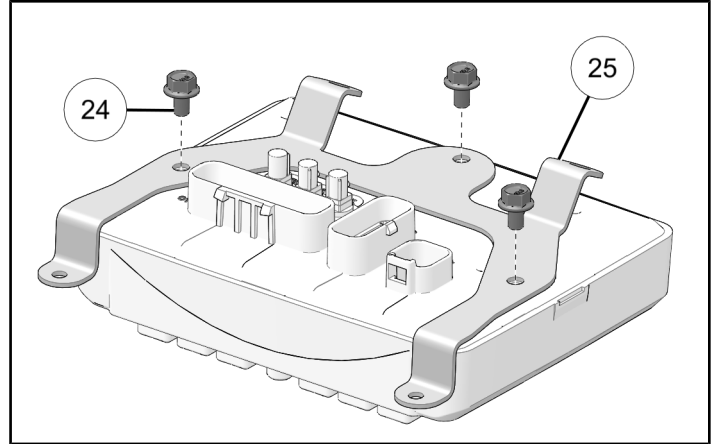
Right Side Speaker Screws (1):
44 in-lbs (5 N·m)

RIDE COMMAND® DISPLAY INSTALLATION

- Install bracket (25) to display using three screws (24). Torque to specification.

TORQUE

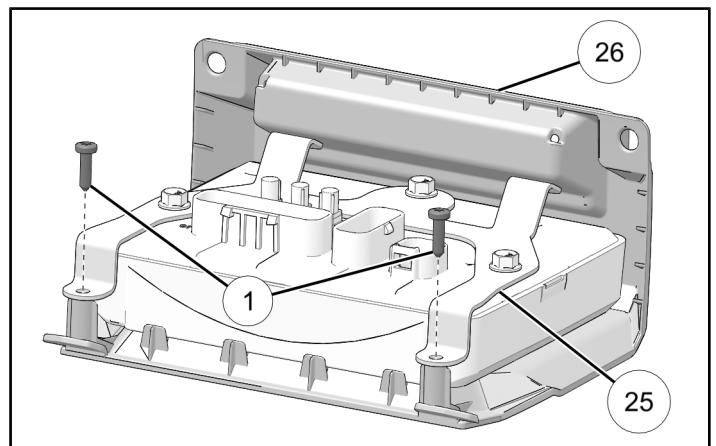
Display Bracket Screws (24):
35 in-lbs (4 N·m)



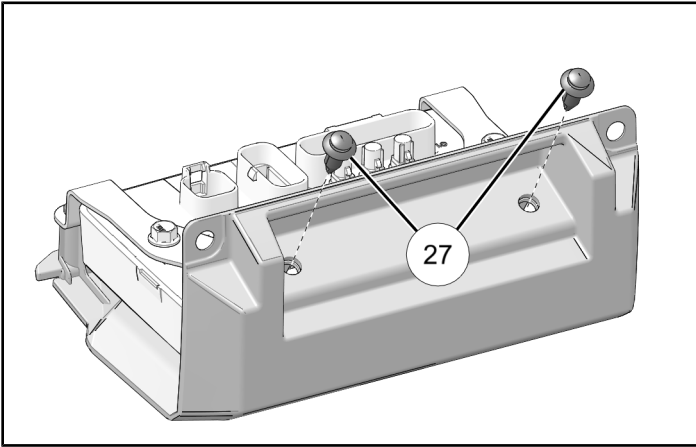
- Install bracket (25) with display onto display bezel (26) with two screws (1). Torque to specification.

TORQUE

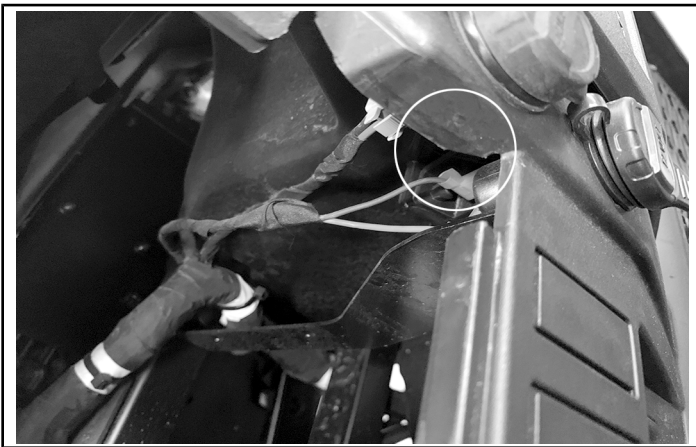
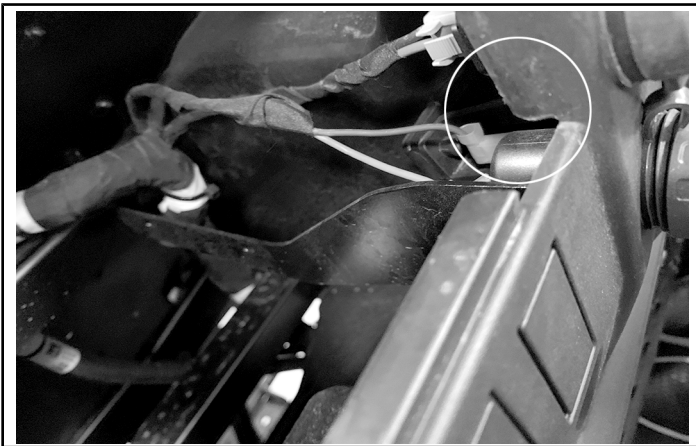
Display Bezel Screws (1):
44 in-lbs (5 N·m)



3. Install two push-pin rivets ⑳ through bracket with display and through display bezel.



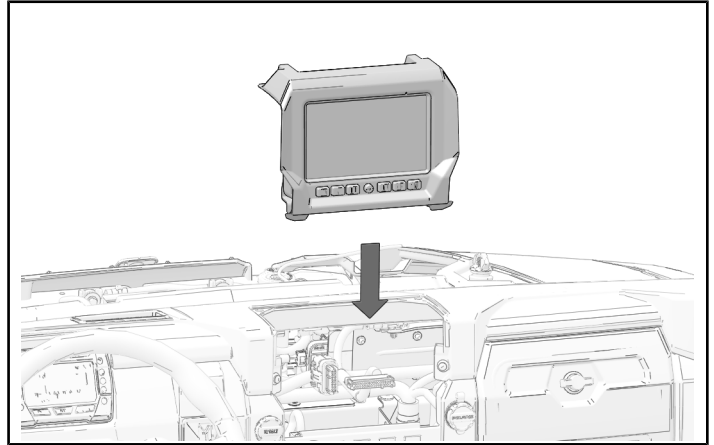
4. Using a hand flat file, lightly remove approximately 1/16" of passenger side inside plastic on corner of plastic to aid in installation.



5. Set the Ride Command® assembly into upper dash.

NOTICE

Do not install push pin rivets at this time.

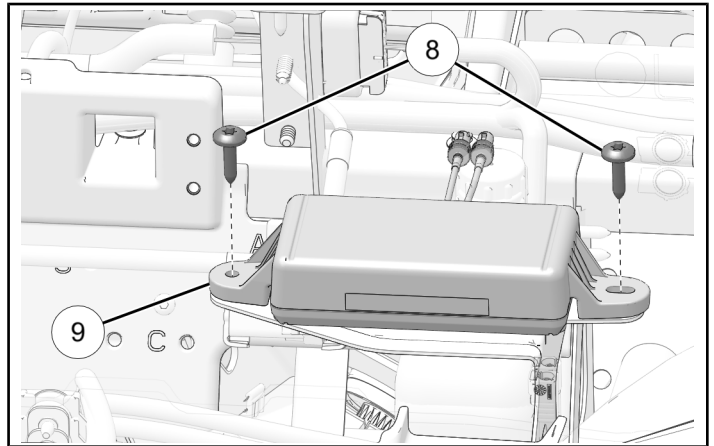


V2V ANTENNA INSTALLATION

1. Install V2V antenna ⑨ to chassis bracket with two screws ⑧. Torque to specification.

TORQUE

V2V Antenna Screws ⑧:
35 in-lbs (4 N·m)



2. Connect V2V and GPS connections to harness.

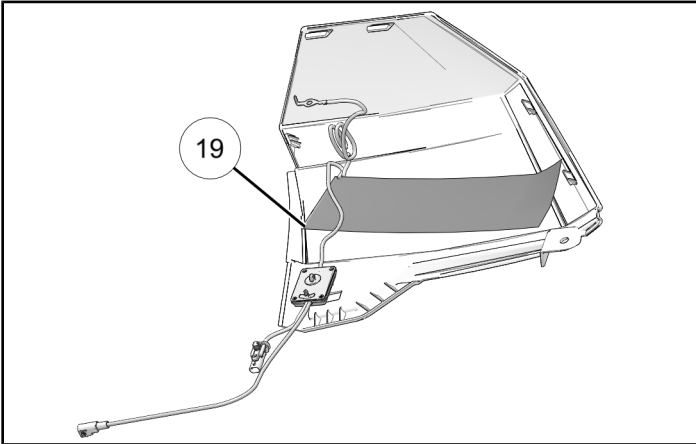
AM/FM ANTENNA INSTALLATION

1. Clean underside of passenger side fender with a soft cloth and isopropyl alcohol.

CAUTION

Isopropyl alcohol is hazardous to your health. See isopropyl alcohol packaging for proper handling instructions, including recommended personal protective equipment such as goggles and chemical resistant gloves.

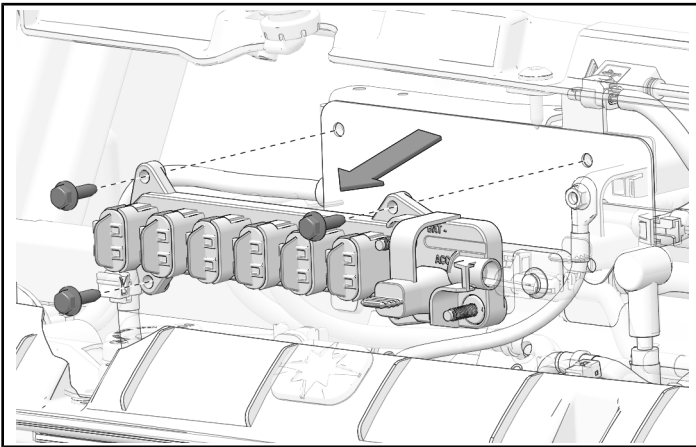
2. Remove adhesive backing from antenna.
3. Attach AM/FM antenna ⑱ to the underside of passenger side fender, as shown.



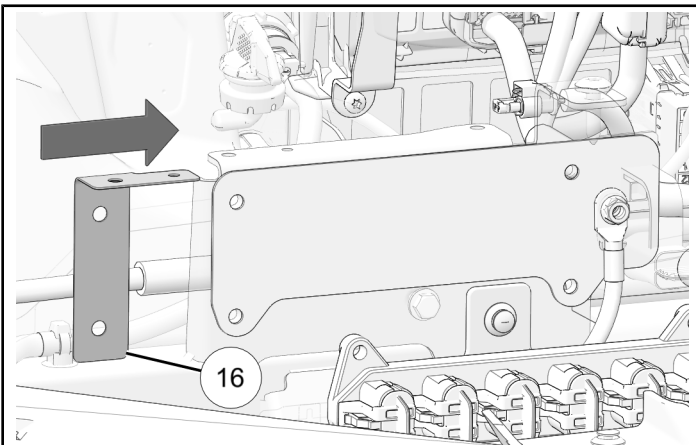
4. Set aside fender with attached antenna.
5. Remove three pulse bar bolts from pulse bar and move out of the way.

NOTICE

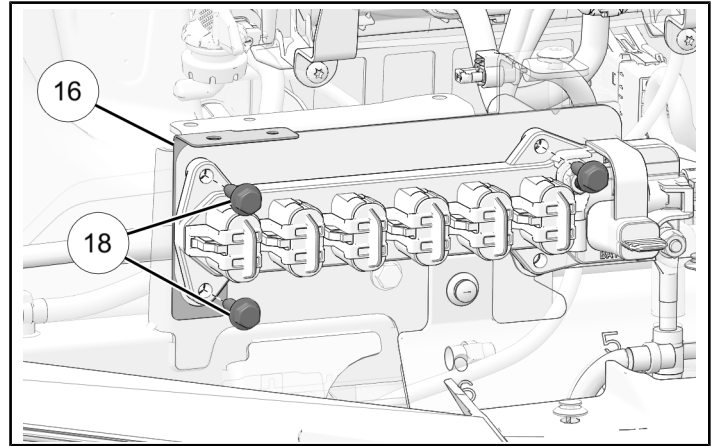
Only one of the three pulse bar bolts will be used for the re-installation of the pulse bar.



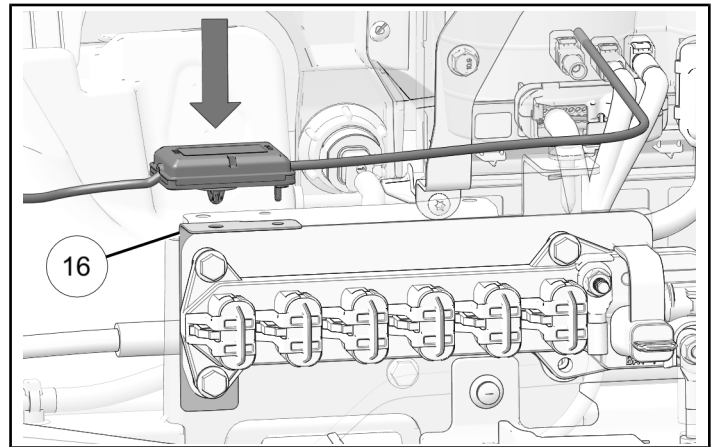
6. Put AM/FM antenna bracket ⑯ in between chassis plate and pulse bar plate.



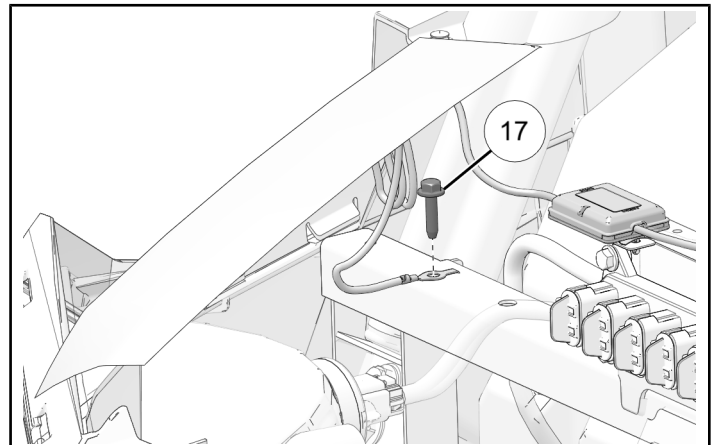
7. Install AM/FM antenna bracket ⑯ and pulse bar to chassis bar with two bolts ⑲ and one retained pulse bar bolt.



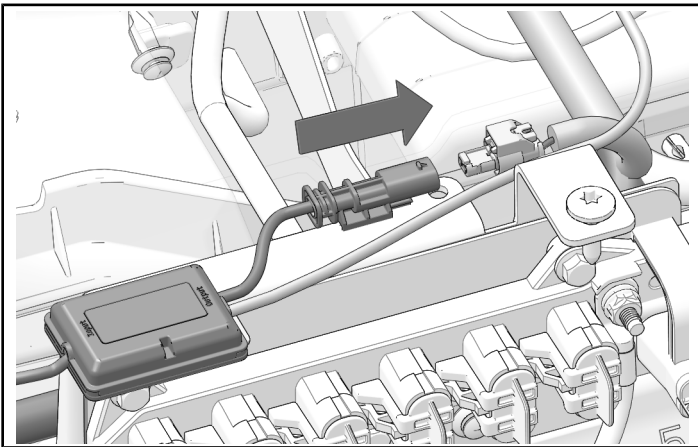
8. Set fender with antenna attached onto vehicle.
9. Install antenna receiver box fasteners into holes on AM/FM antenna bracket ⑯.



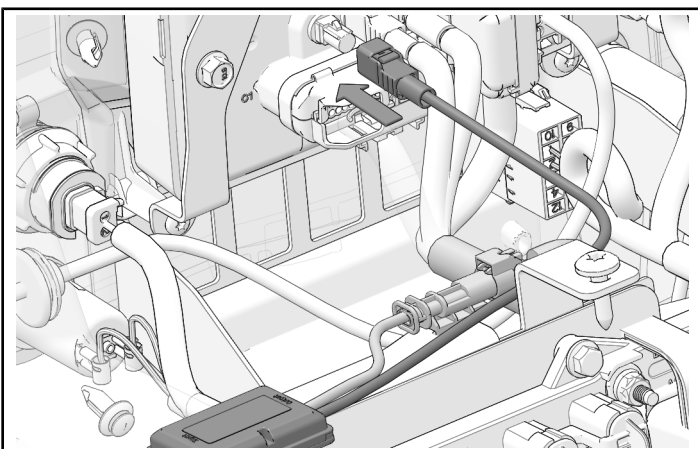
10. Attach antenna harness to chassis bar with one screw ⑳.



11. Connect short antenna harness to audio harness.



12. Connect long antenna harness to ride command display.



USB HARNESS INSTALLATION

1. Open storage compartment.

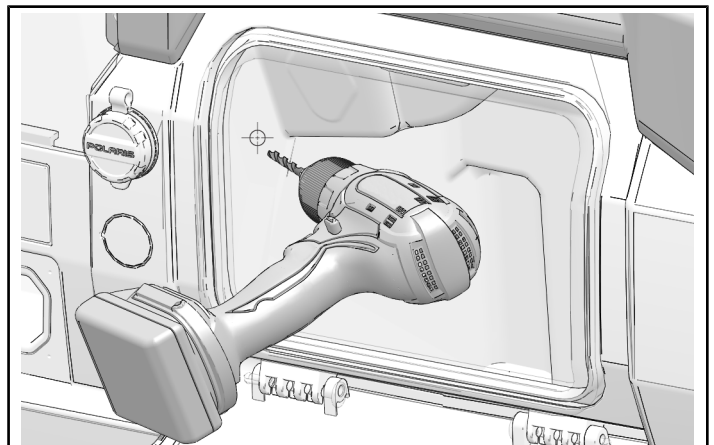
2. Drill hole through left side wall of storage compartment.

IMPORTANT

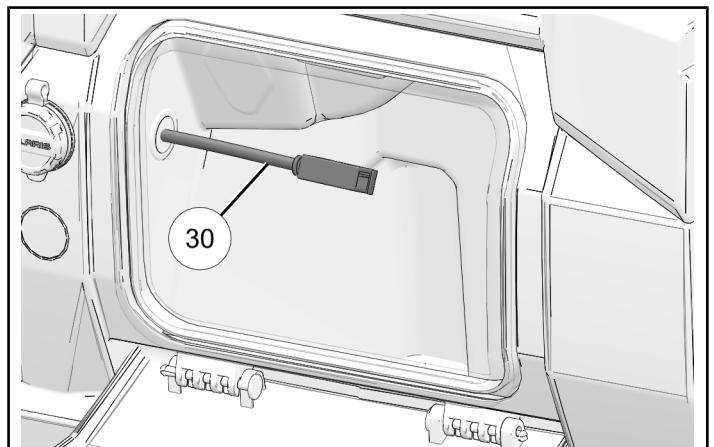
Control drill depth to prevent damage to underlying structure or components.

MEASUREMENT

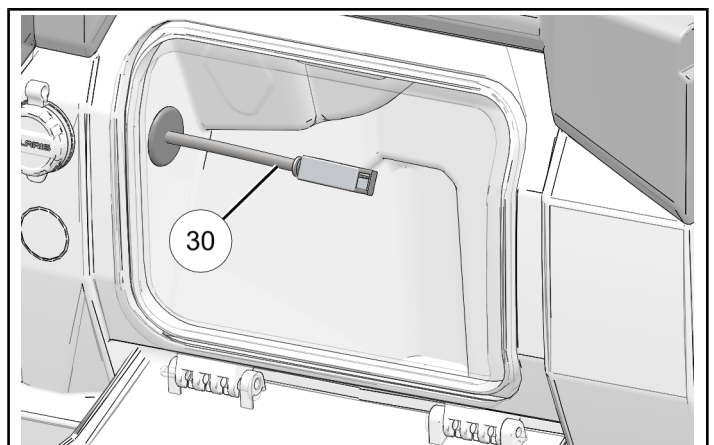
Drill Bit Size:
21/32 in (17 mm)



3. Insert USB harness ③⑩ through pre-drilled hole in storage compartment.



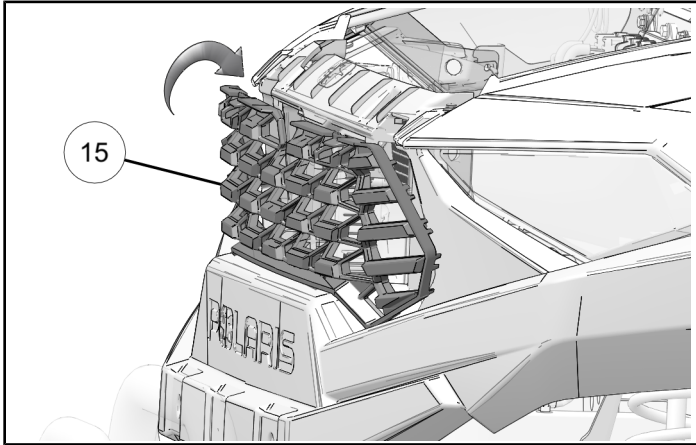
4. Install grommet.



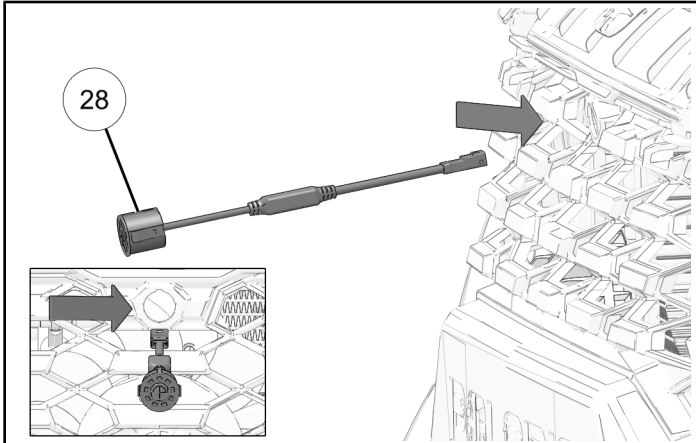
5. Connect USB harness ⑩ to ride command display.

FRONT CAMERA INSTALLATION

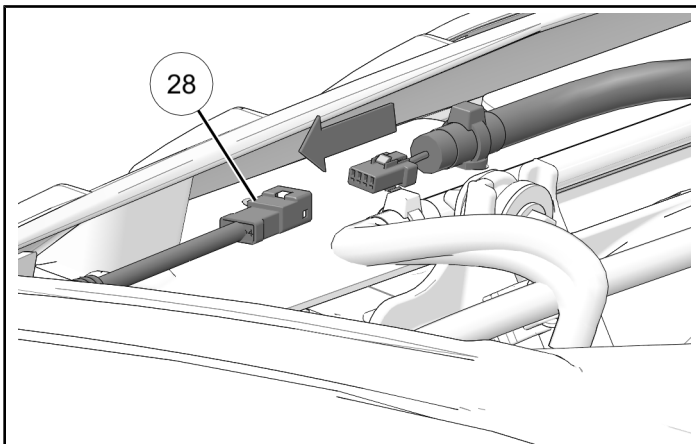
1. Put bottom of grille ⑮ in first and push top of grille in until two tabs engage upper front fascia.



2. Install front camera ⑳ through hole in top of front fascia.

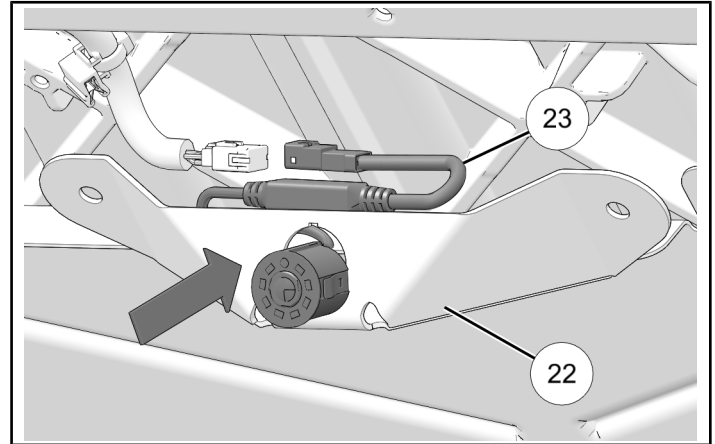


3. Remove and discard cap from main chassis harness.
4. Connect main chassis harness to front camera harness ⑳.

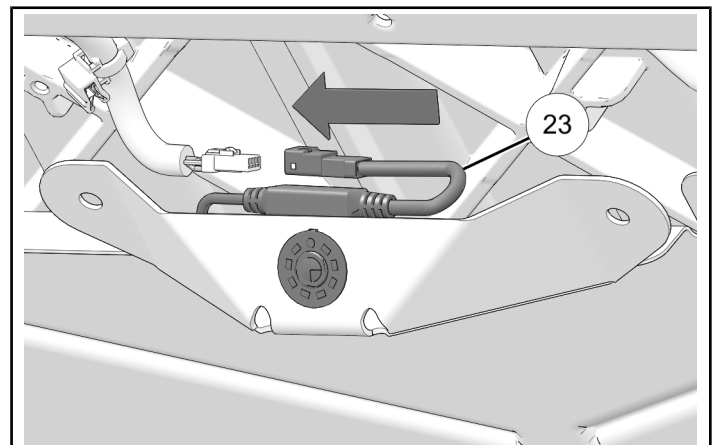


REAR CAMERA INSTALLATION

1. Install rear camera harness ㉓ through hole on rear camera bracket ㉒.



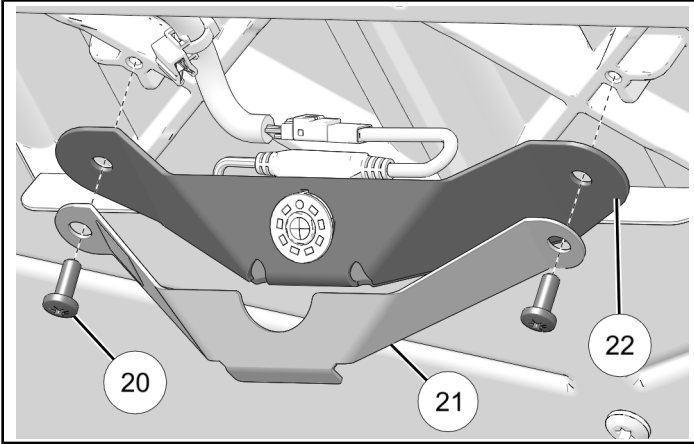
2. Remove and discard cap from main chassis harness.
3. Connect main chassis harness to rear camera harness ㉓.



4. Install rear camera shield (21) to rear camera bracket (22) and lower rear surface of vehicle bed with two screws (20). Torque to specification.

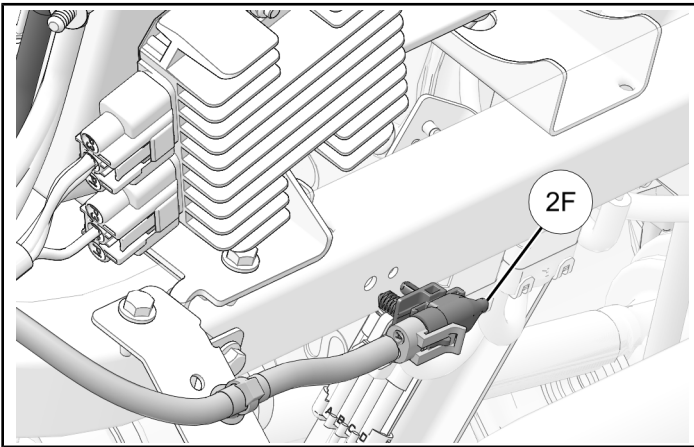
TORQUE

Rear Camera Bracket Screws (20):
26 in-lbs (3 N·m)



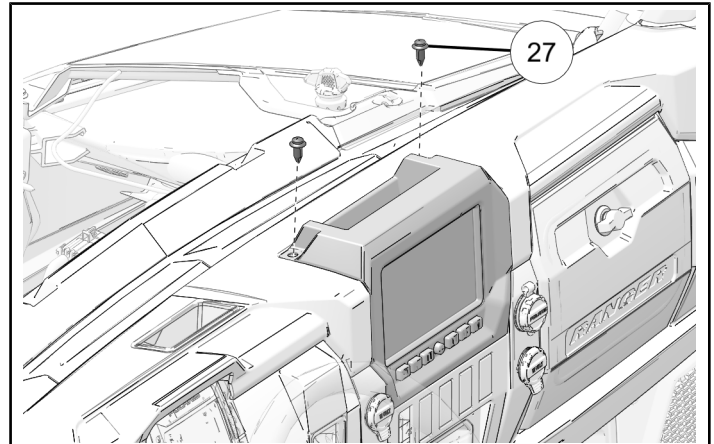
AMBIENT AIR SENSOR INSTALLATION

1. Install ambient air sensor 2F to front lower chassis bar located below the regulator.



RIDE COMMAND® DASH INSTALL

1. Install the Ride Command® display assembly into the upper dash with two push pin rivets (27).



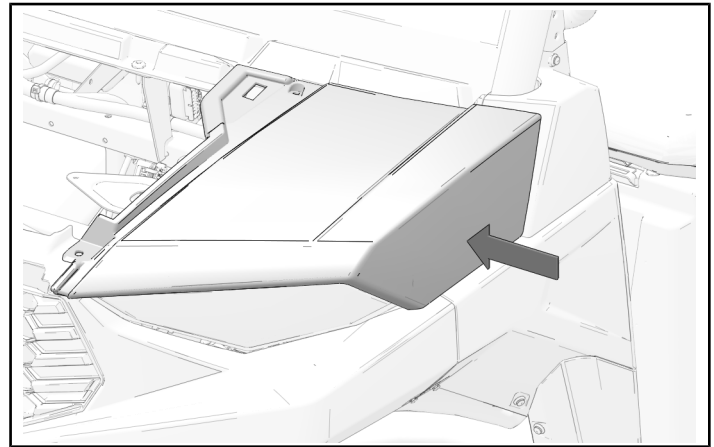
VEHICLE REASSEMBLY

OUTER HOOD INSTALLATION

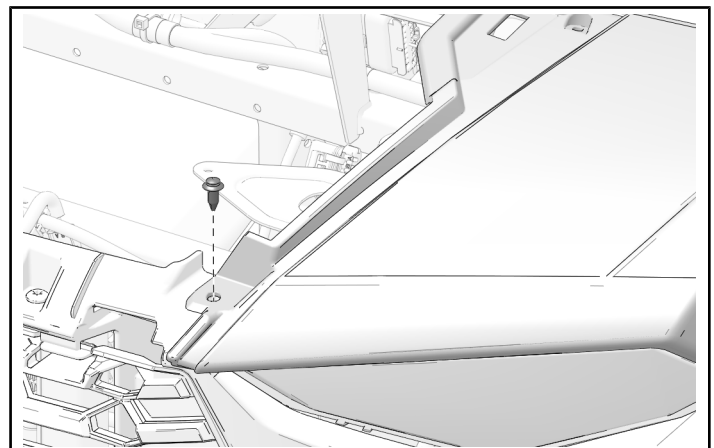
NOTICE

Left side shown; right side similar.

1. Put outer hood in installed position.



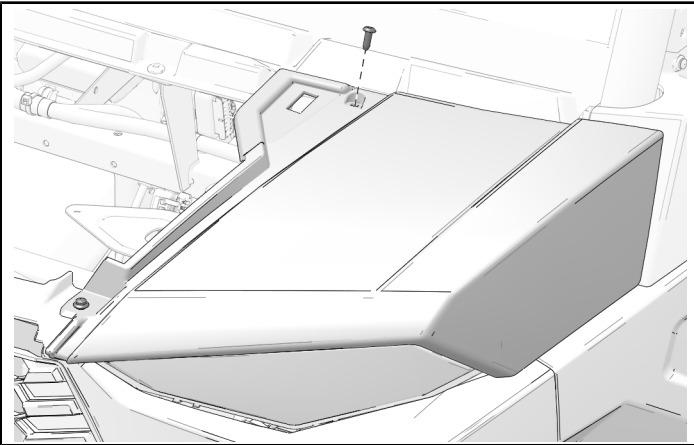
2. Attach front of outer hood with one push-pin rivet.



3. Attach rear of outer hood with one retained screw.
Torque outer hood screws to specification.

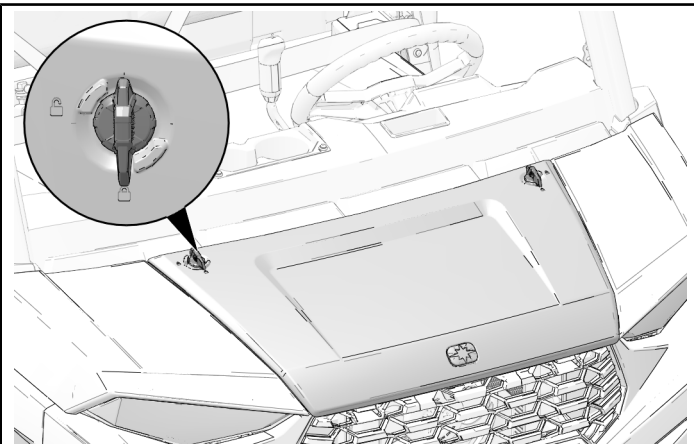
TORQUE

Outer Hood Screw:
22 in-lbs (2.5 N·m)



HOOD INSTALLATION

1. Align hood with vehicle and turn two quarter-turn fasteners to lock position to install hood.



OPERATION

RIDE COMMAND® SOFTWARE UPDATE

NOTICE

Use Ride Command® owner's manual to complete display setup.

1. Follow link: <https://ridecommand.polaris.com/display/tutorials> to complete display setup.

INSTRUCTION FEEDBACK FORM

A feedback form has been created for the installer to provide any comments, questions or concerns about the installation instructions. The form is viewable on mobile devices by scanning the QR code or by clicking [HERE](#) if viewing on a PC.

